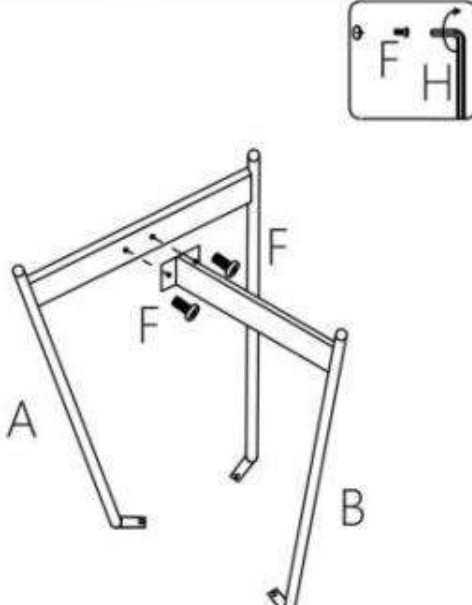
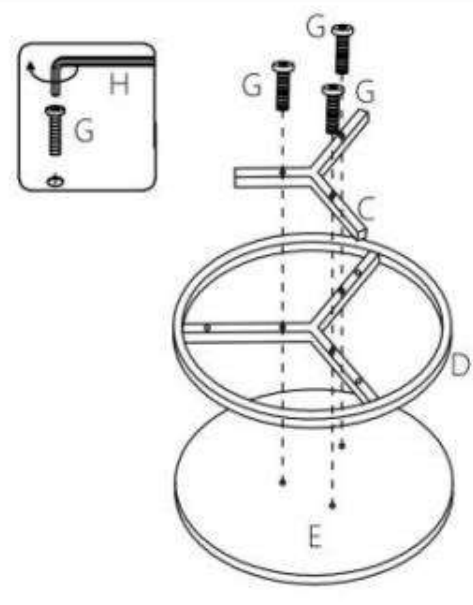


KARIDA_S

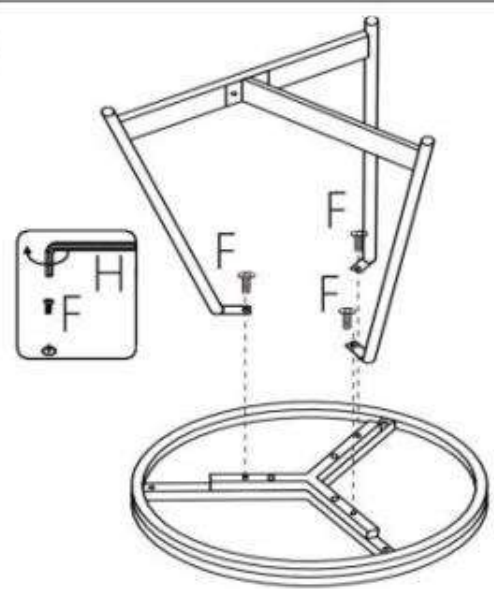
1

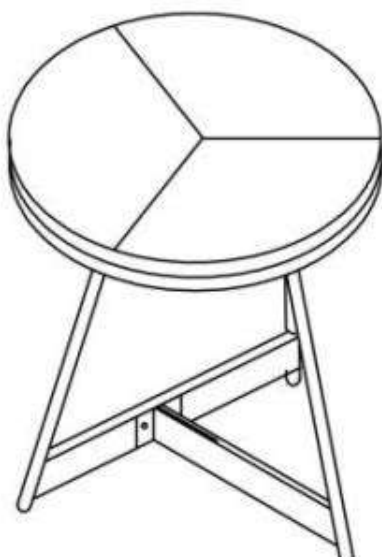








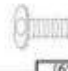

2




3





A		x1
B		x1
C		x1
D		x1
E		x1
F	 <small>(6*12mm)</small>	x5
G	 <small>(6*40mm)</small>	x3
H	 <small>(b4)</small>	x1

 max. 20 kg