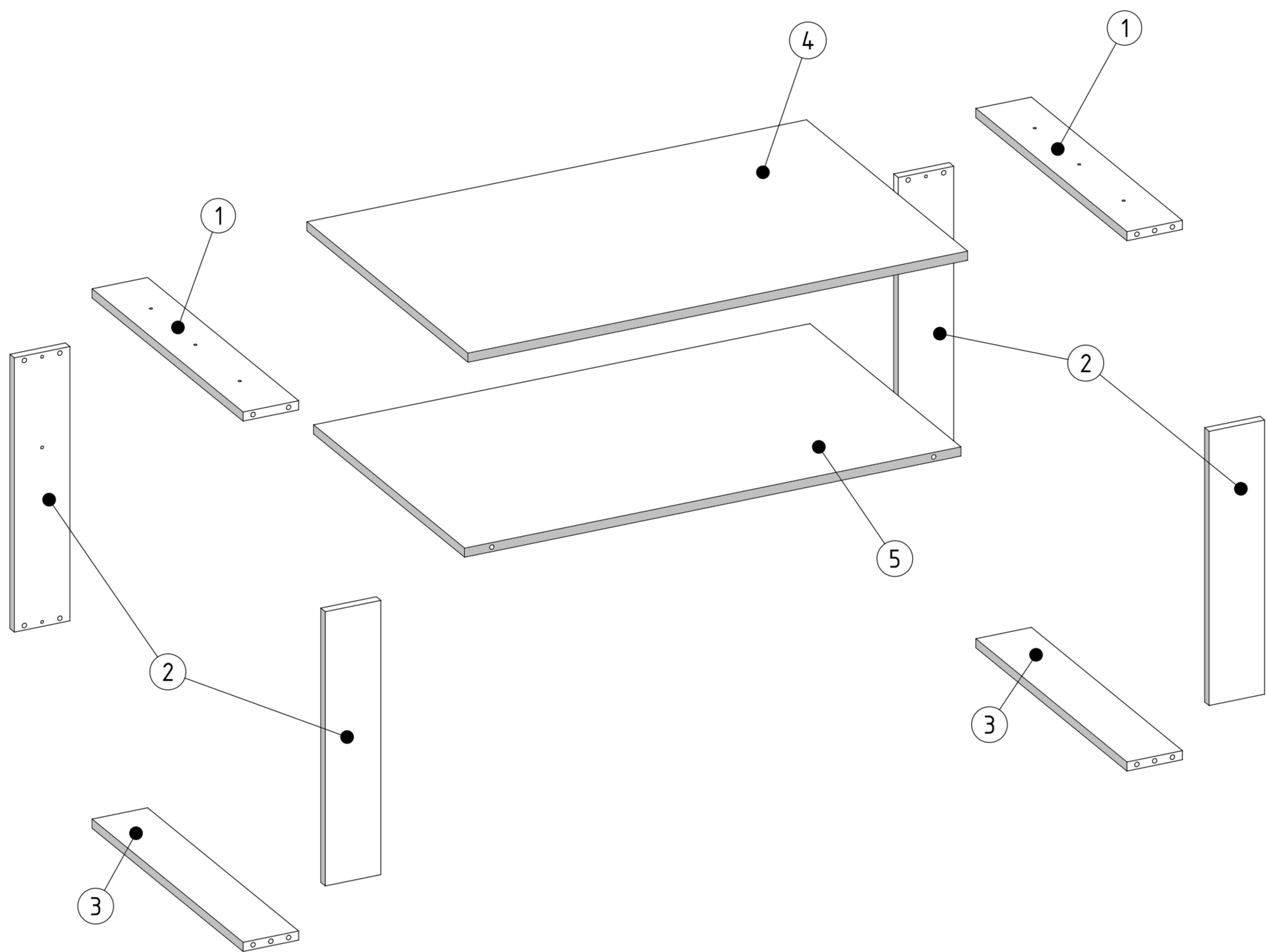

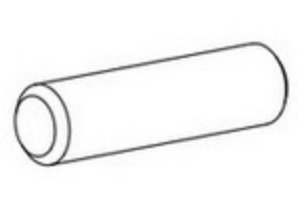
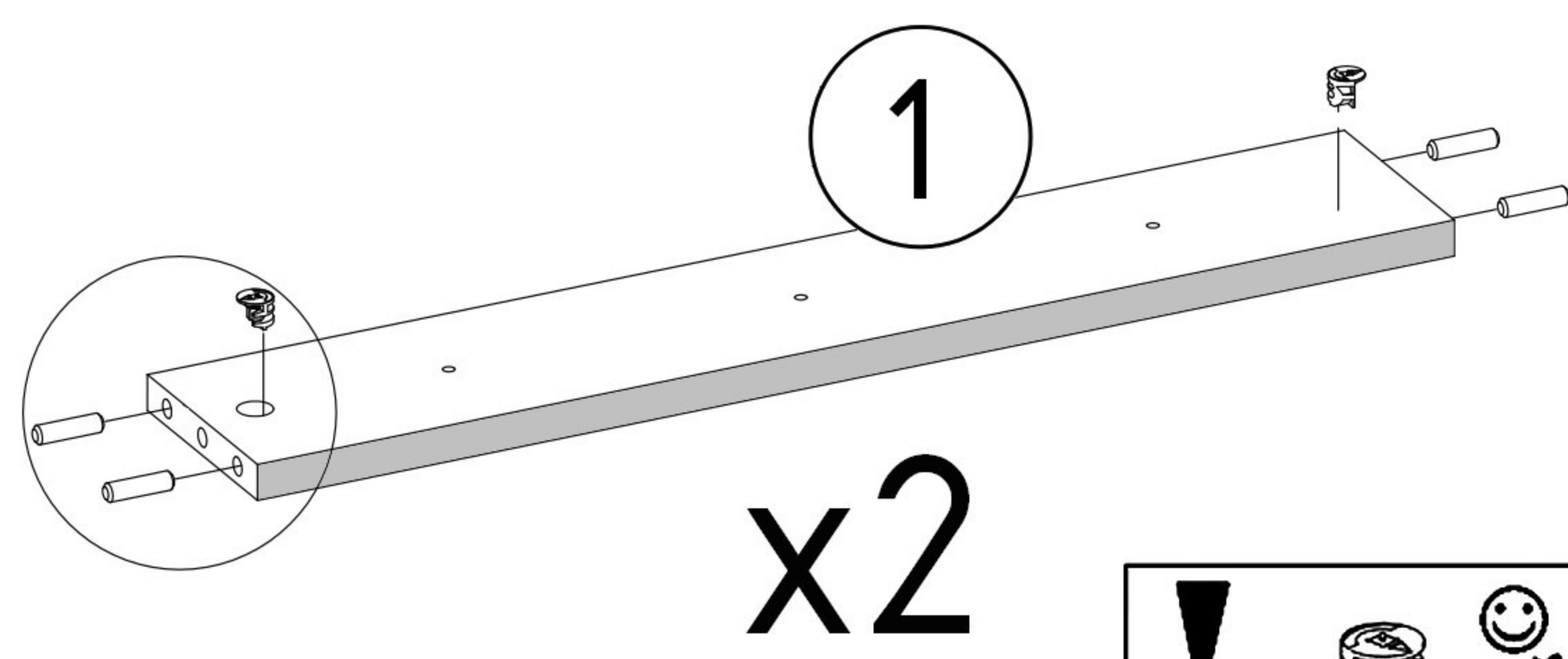
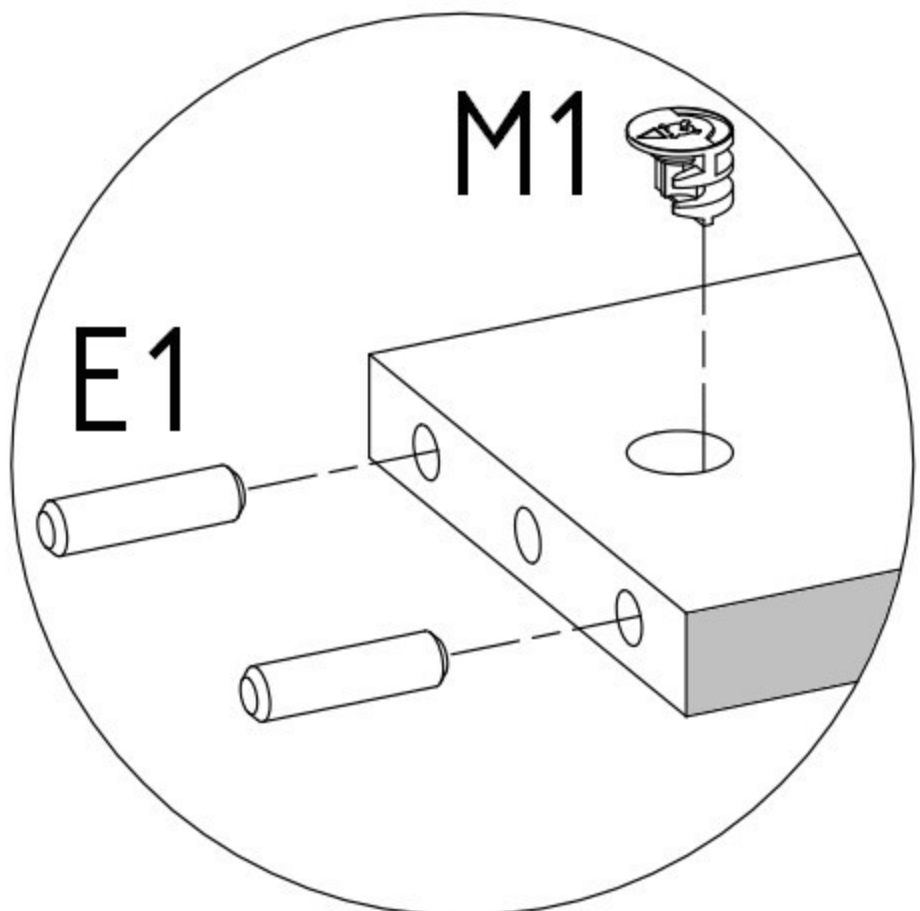


T1	M1	E1	K1	N1	S5
x8	x12	x16	x2	x12	x6
	12x15mm	8x30mm		L=35mm	4x30mm

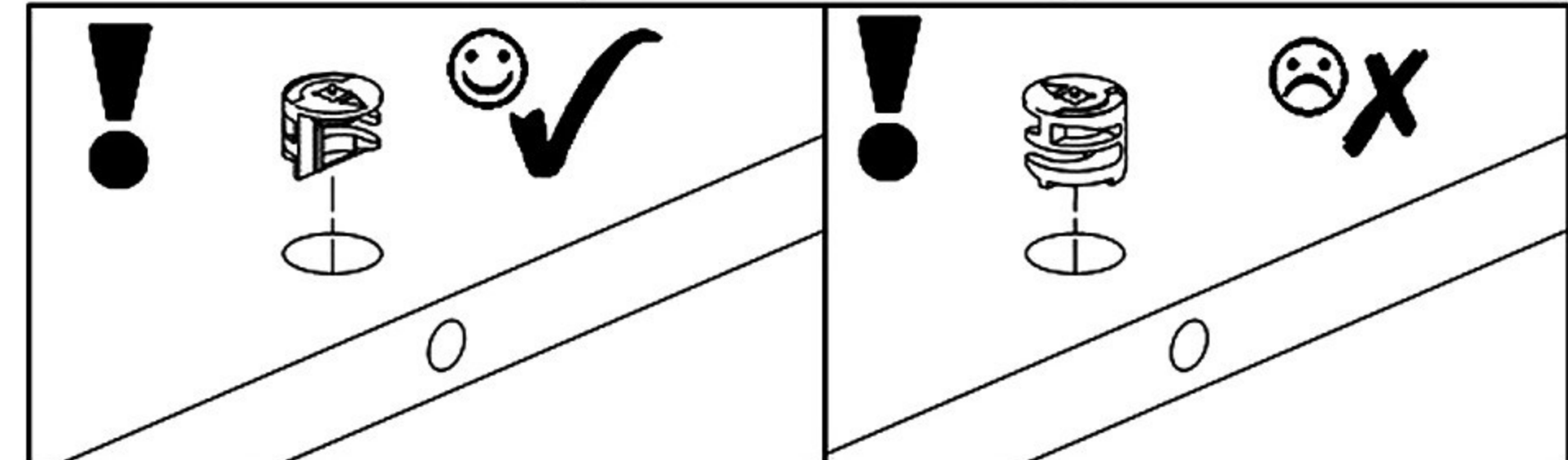
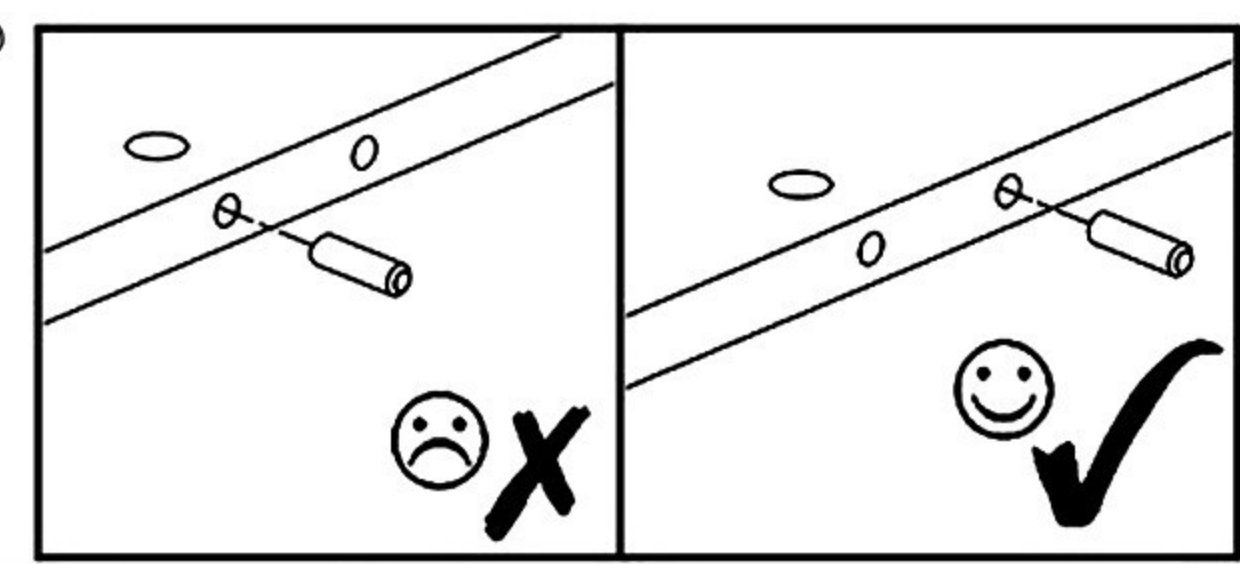




1	x	2
2	x	4
3	x	2
4	x	1
5	x	1

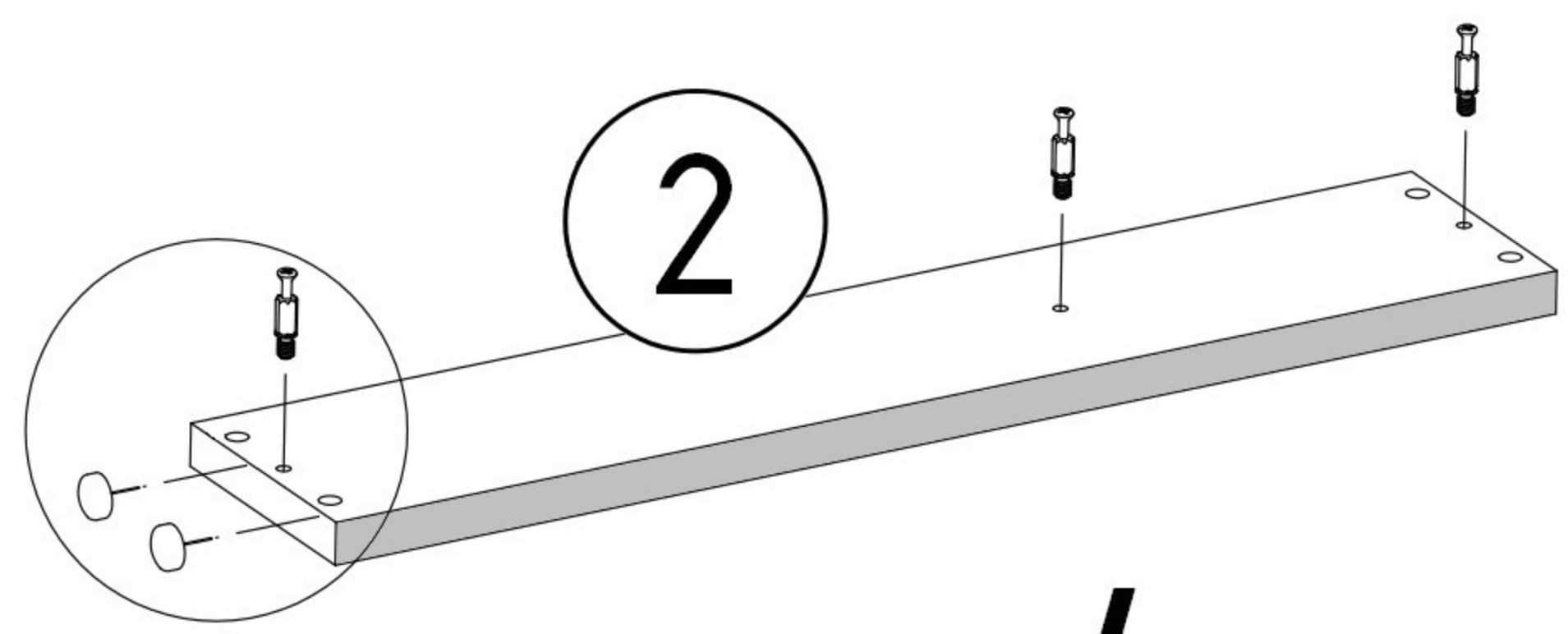
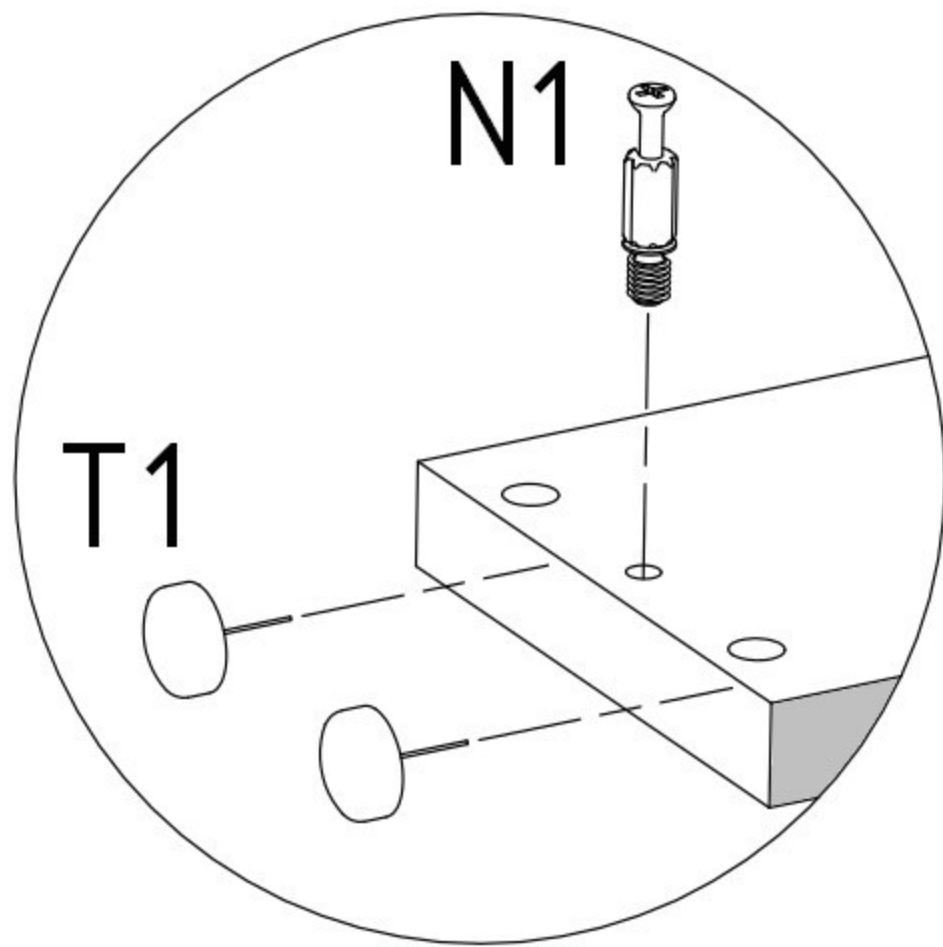
M1  12x15mm x12	E1  8x30mm x16
--	---



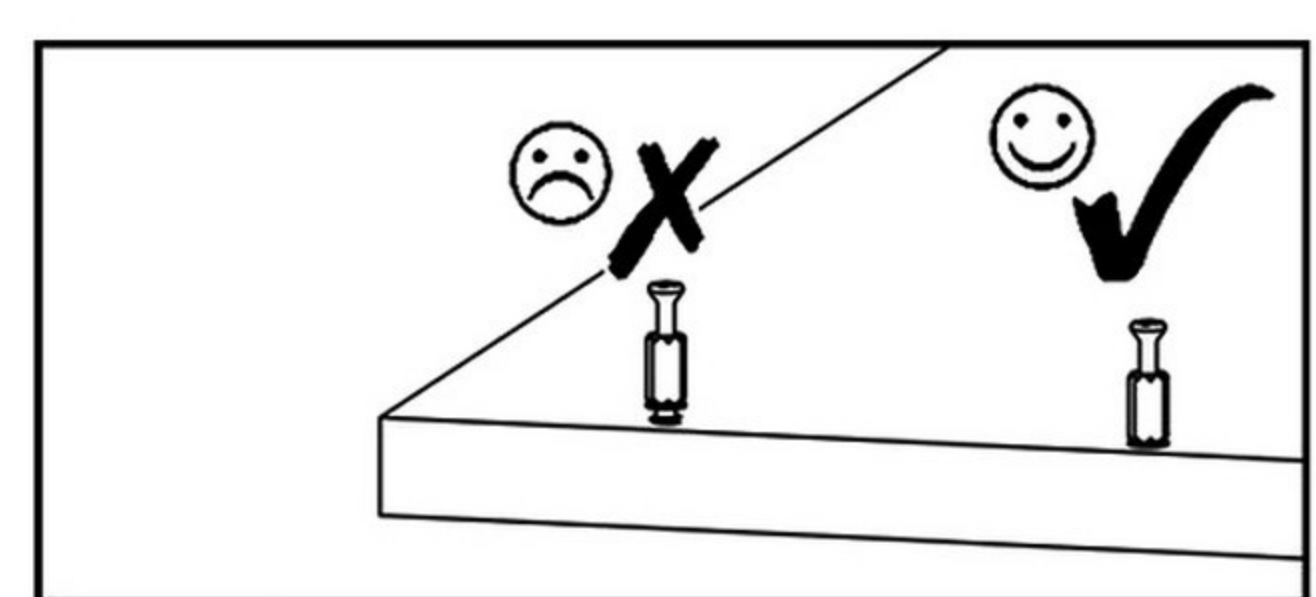
x2




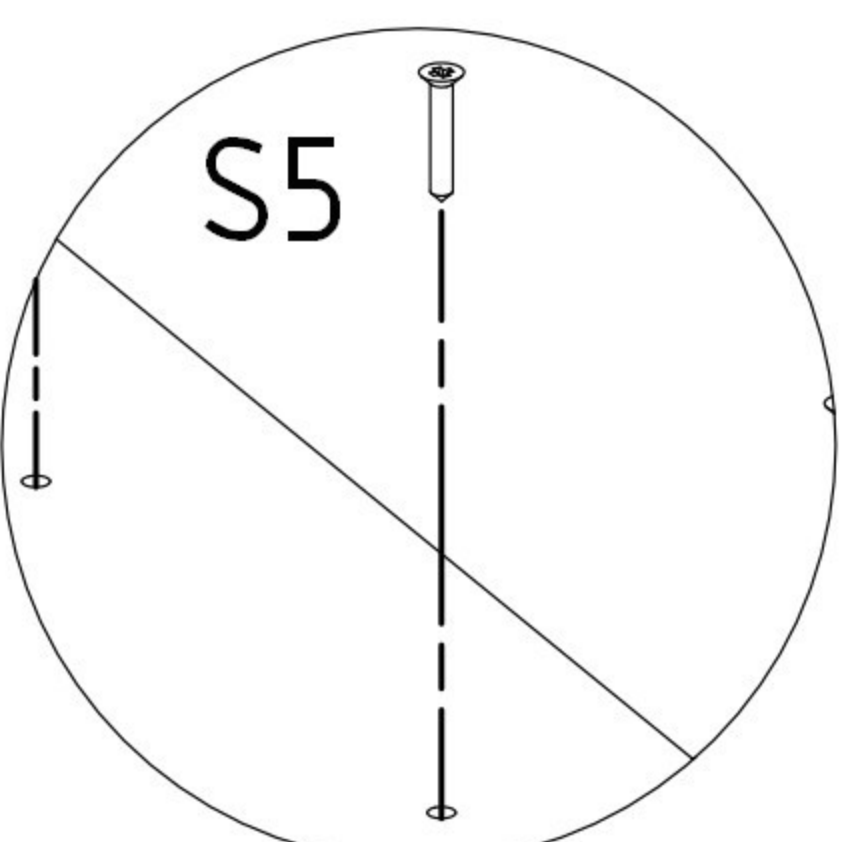
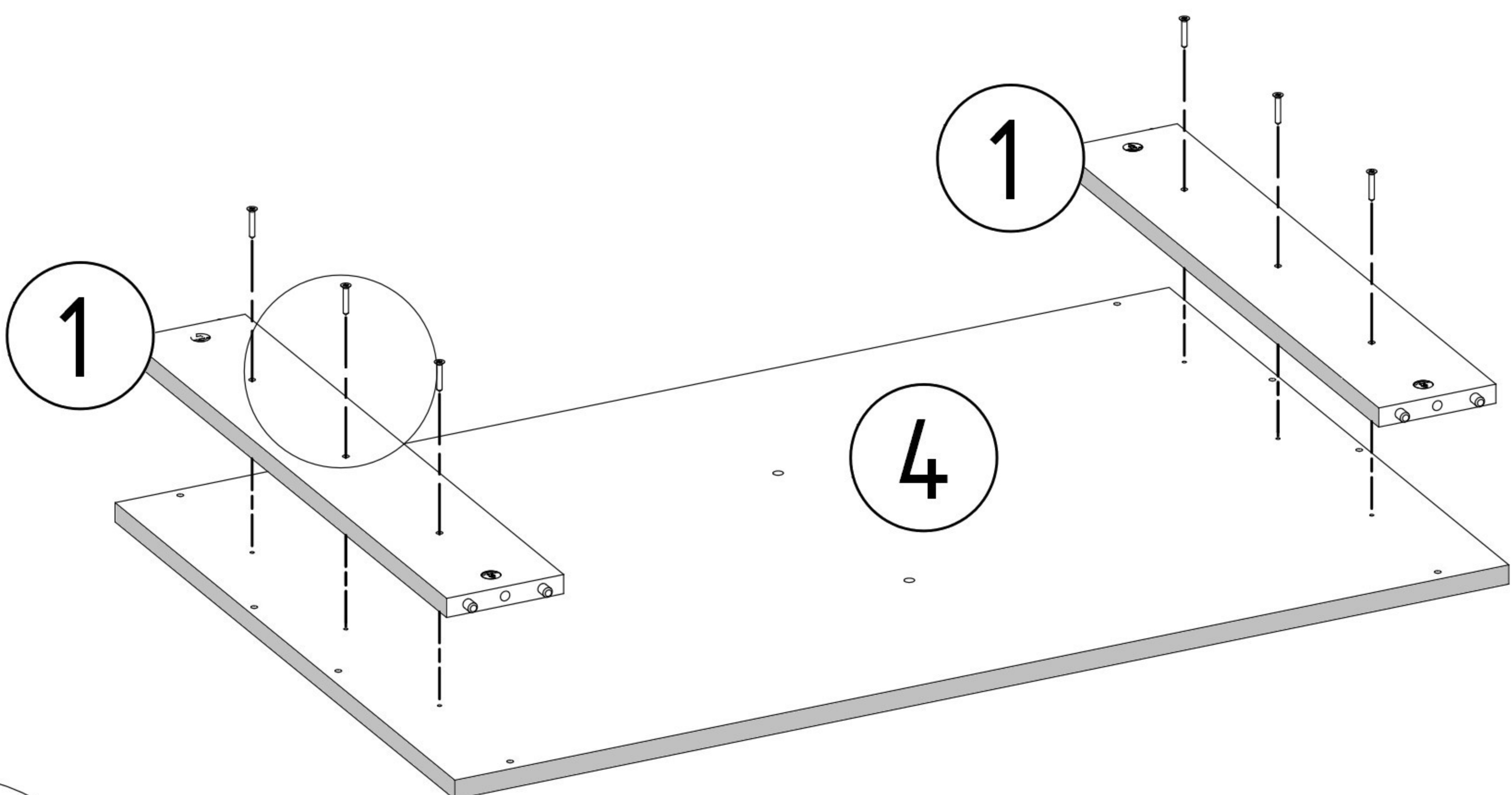
N1  L=35mm x12	T1  x8
--	---



x4



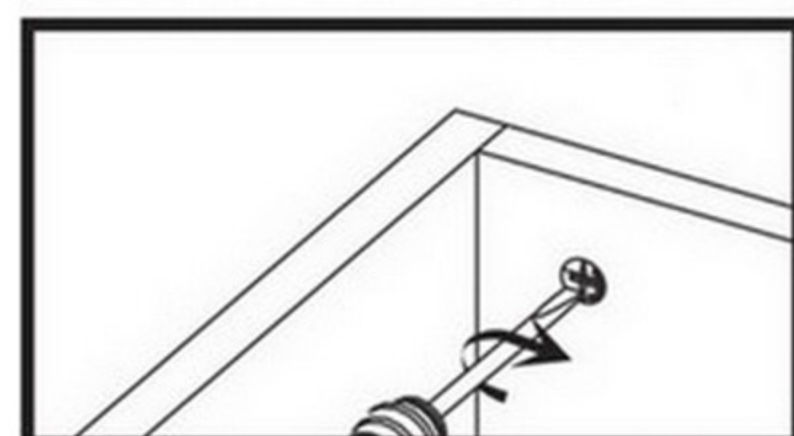
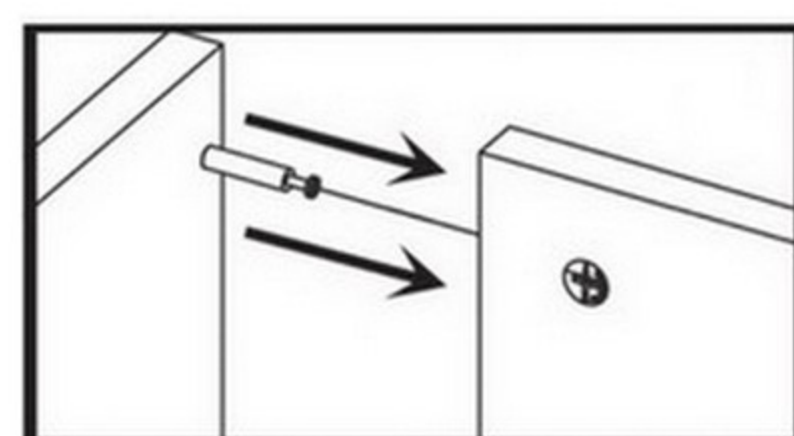
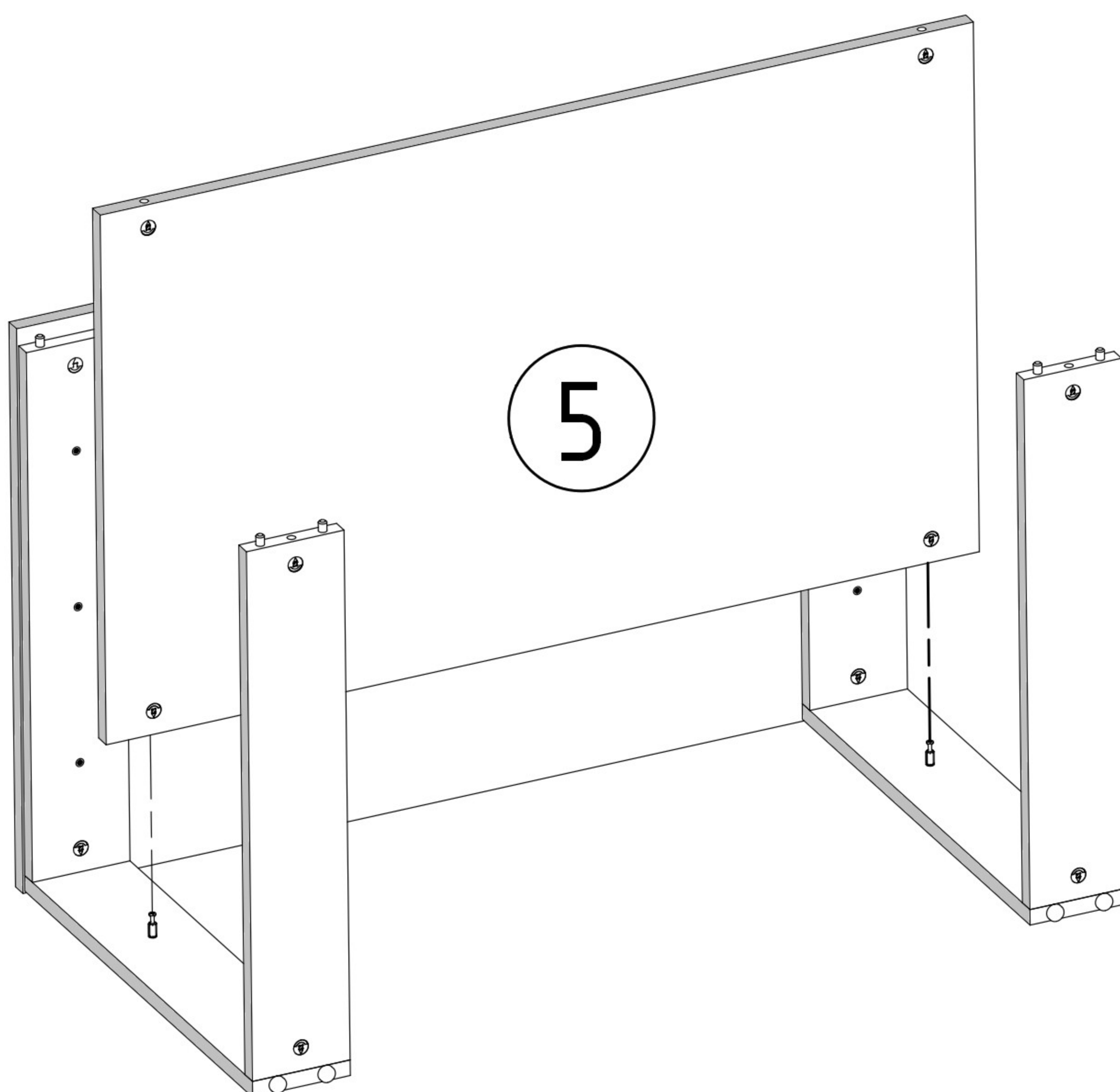
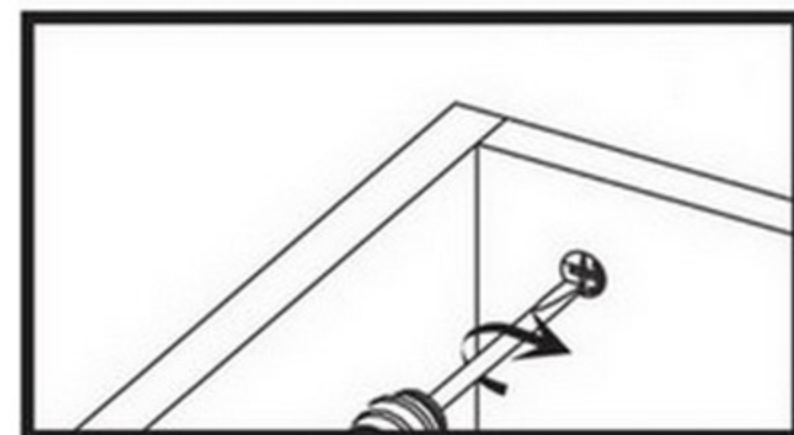
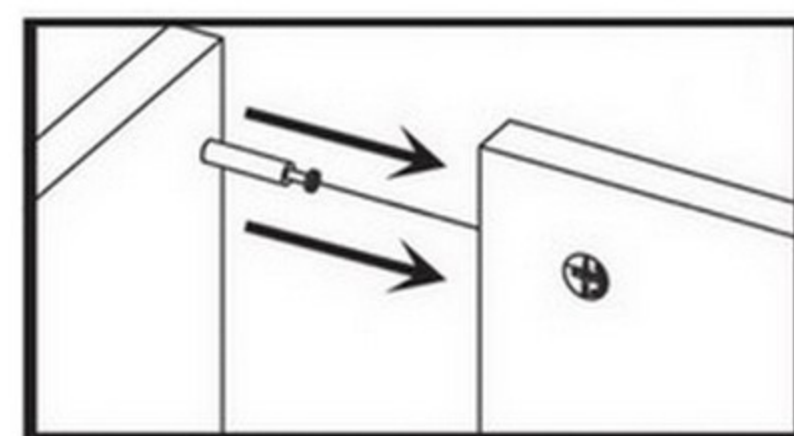
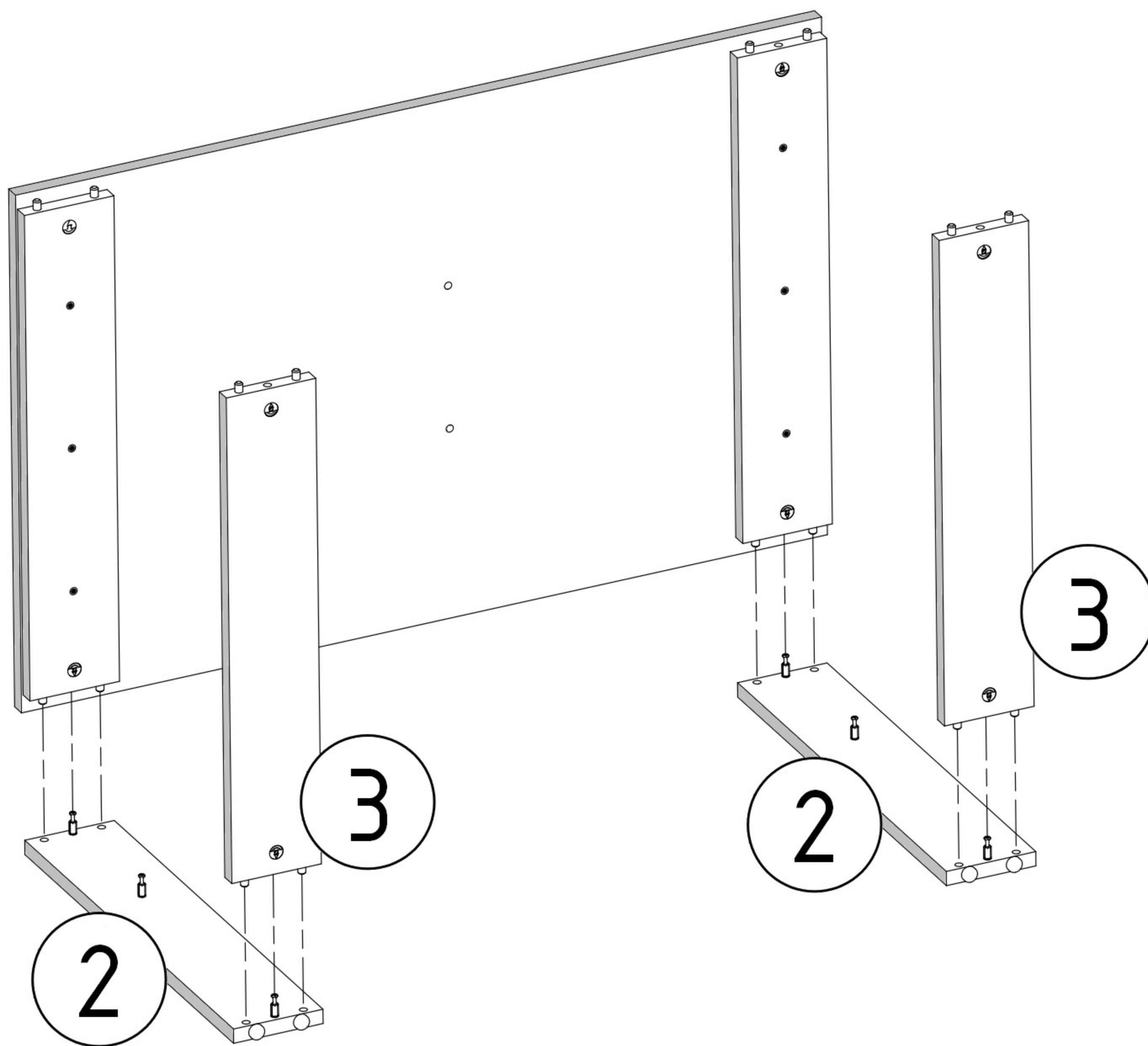
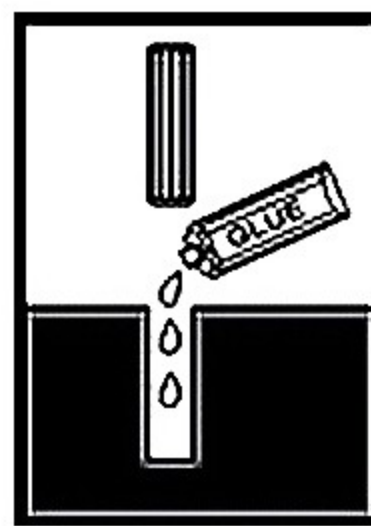
S5  4x30mm x6



K1



x1



K1



x1

