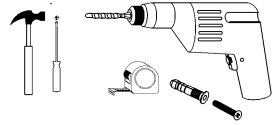
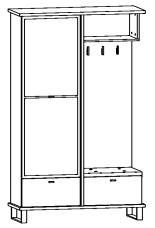


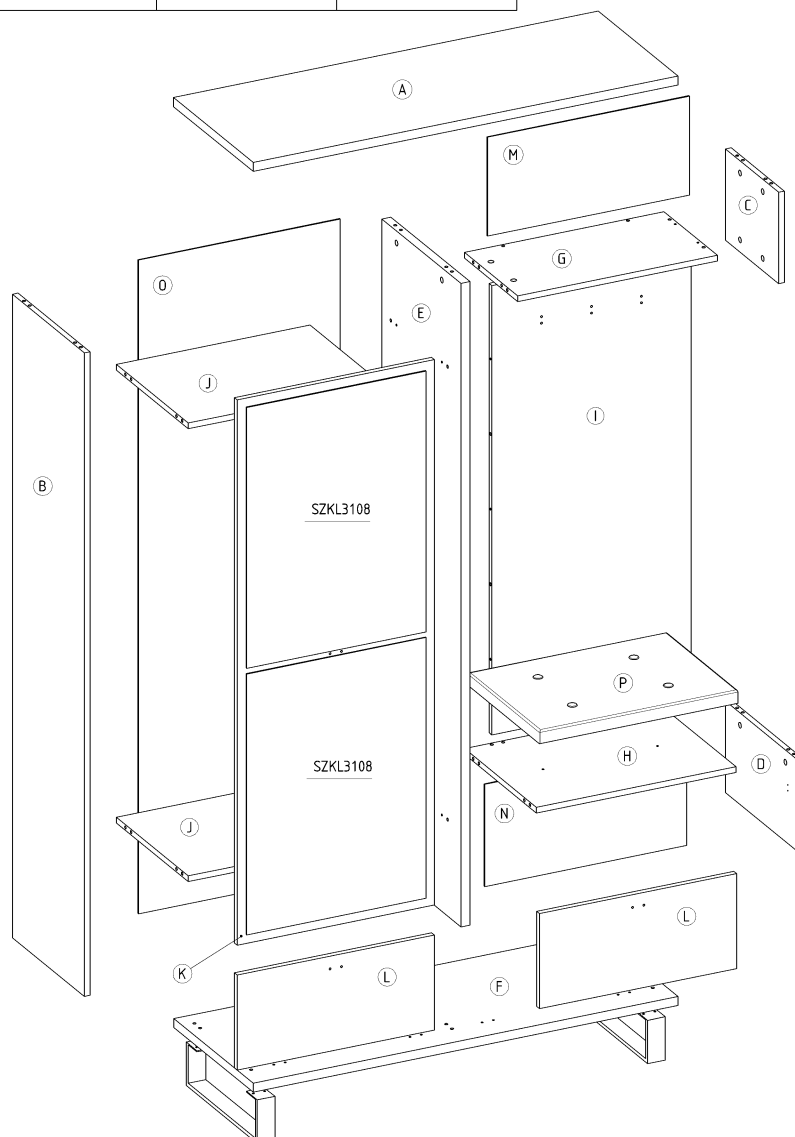
# CRO-14 Przedpokój 3D

L-120 H-195 D-45

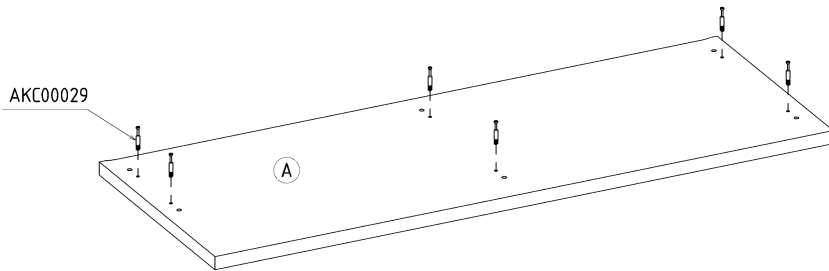


90 min

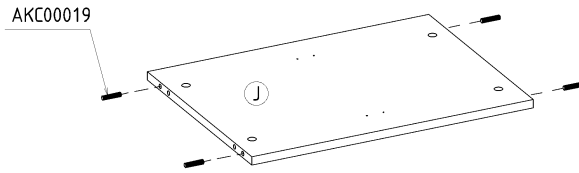
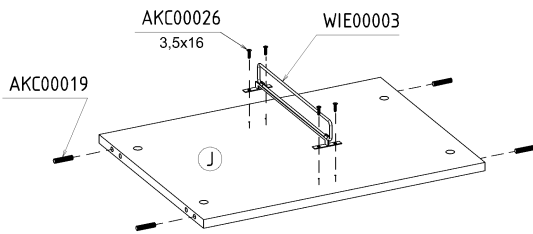
|                                     |                                    |                                     |                                       |                                    |                                      |
|-------------------------------------|------------------------------------|-------------------------------------|---------------------------------------|------------------------------------|--------------------------------------|
| <b>x 34</b><br><br>AKC00019         | <b>x 4</b><br><br>7x50<br>AKC00120 | <b>x 9</b><br><br>7x70<br>AKC00056  | <b>x 13</b><br><br>AKC00004           | <b>x 22</b><br><br>AKC00029        | <b>x 20</b><br><br>AKC00151          |
| <b>x 2</b><br><br>AKC00152          | <b>x 22</b><br><br>AKC00004        | <b>x 3</b><br><br>ZAW00025          | <b>x 4</b><br><br>ZAW00026            | <b>x 2</b><br><br>AKC00024         | <b>x 80</b><br><br>AKC00018          |
| <b>x 3</b><br><br>UCH00056          | <b>x 3</b><br><br>WIE00008         | <b>x 1</b><br><br>AKC00040          | <b>x 27</b><br><br>3,5x16<br>AKC00026 | <b>x 8</b><br><br>4x20<br>AKC00026 | <b>x 2</b><br><br>3,5x30<br>AKC00026 |
| <b>x 12</b><br><br>4x25<br>AKC00026 | <b>x 1</b><br><br>AKC00017         | <b>x 1</b> L-300 mm<br><br>WIE00003 | <b>x 2</b><br><br>NOG00044            |                                    |                                      |



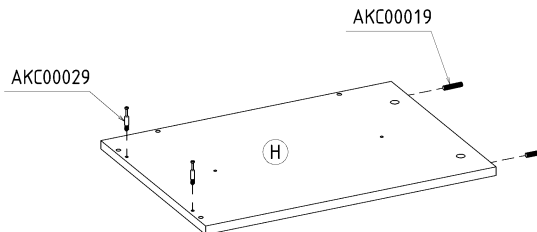
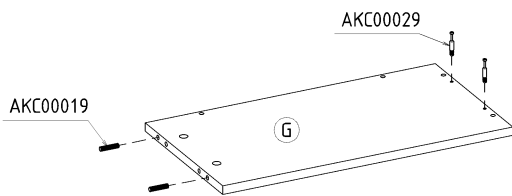
1



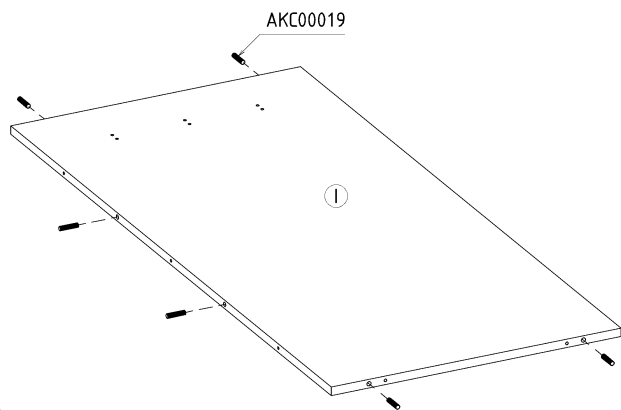
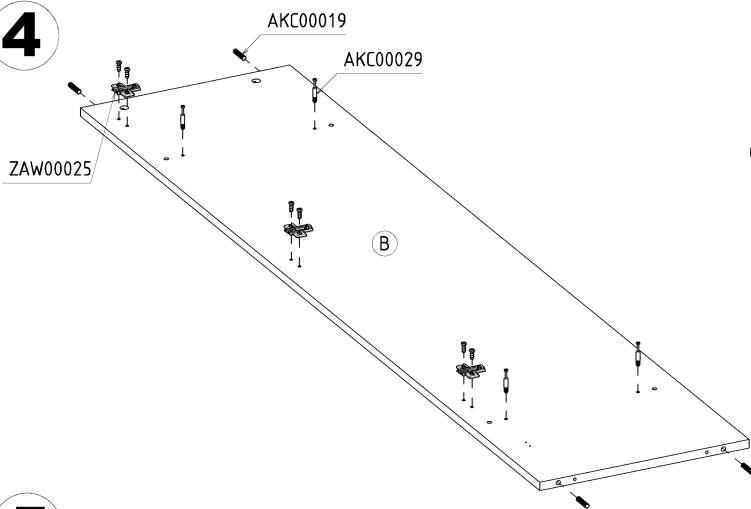
2



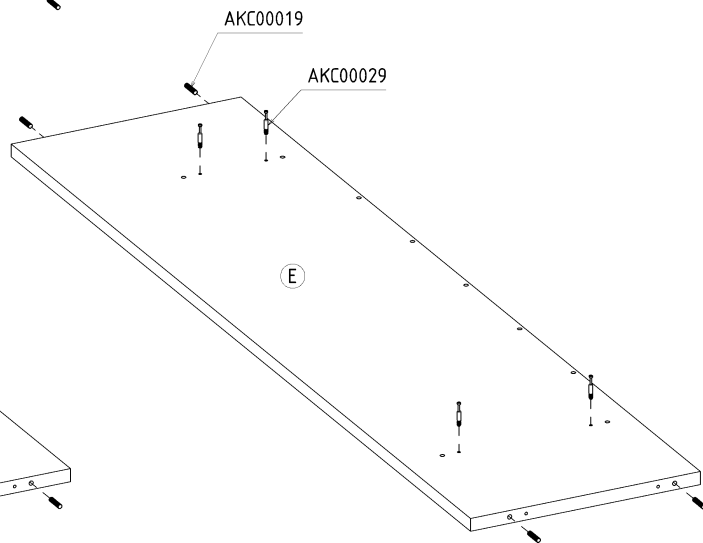
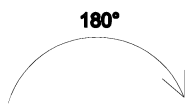
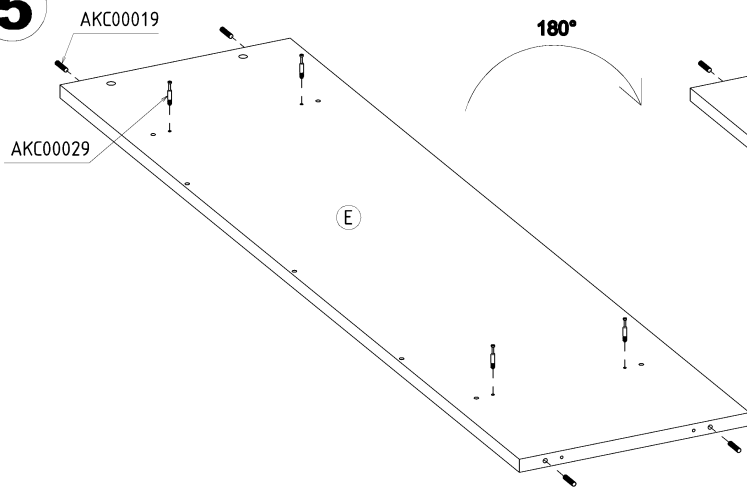
3



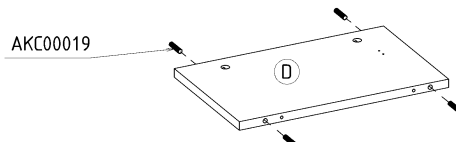
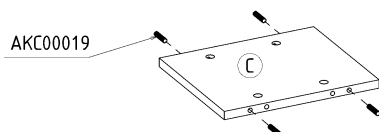
4



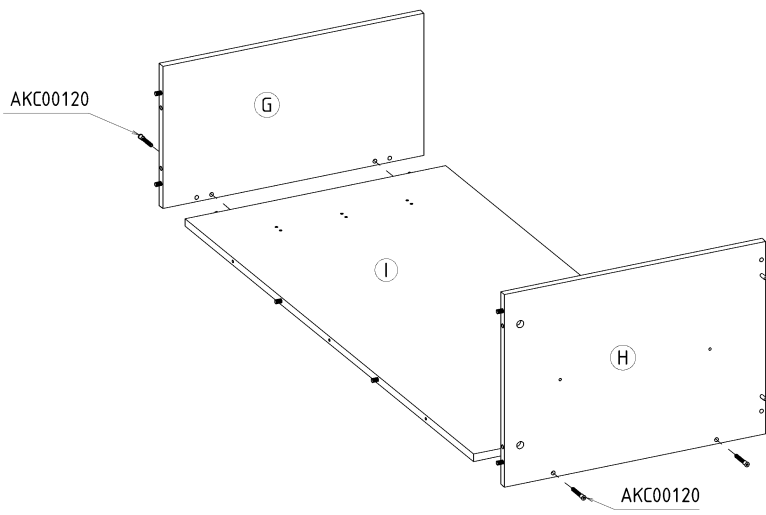
5



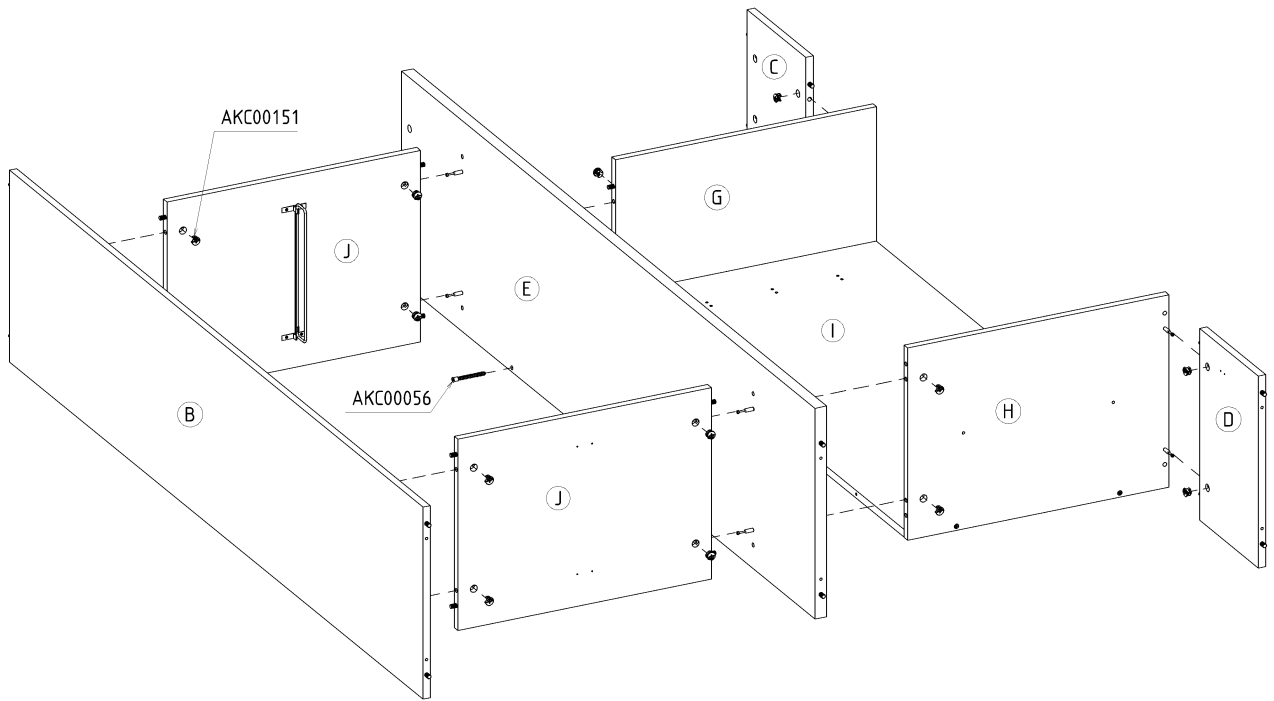
6



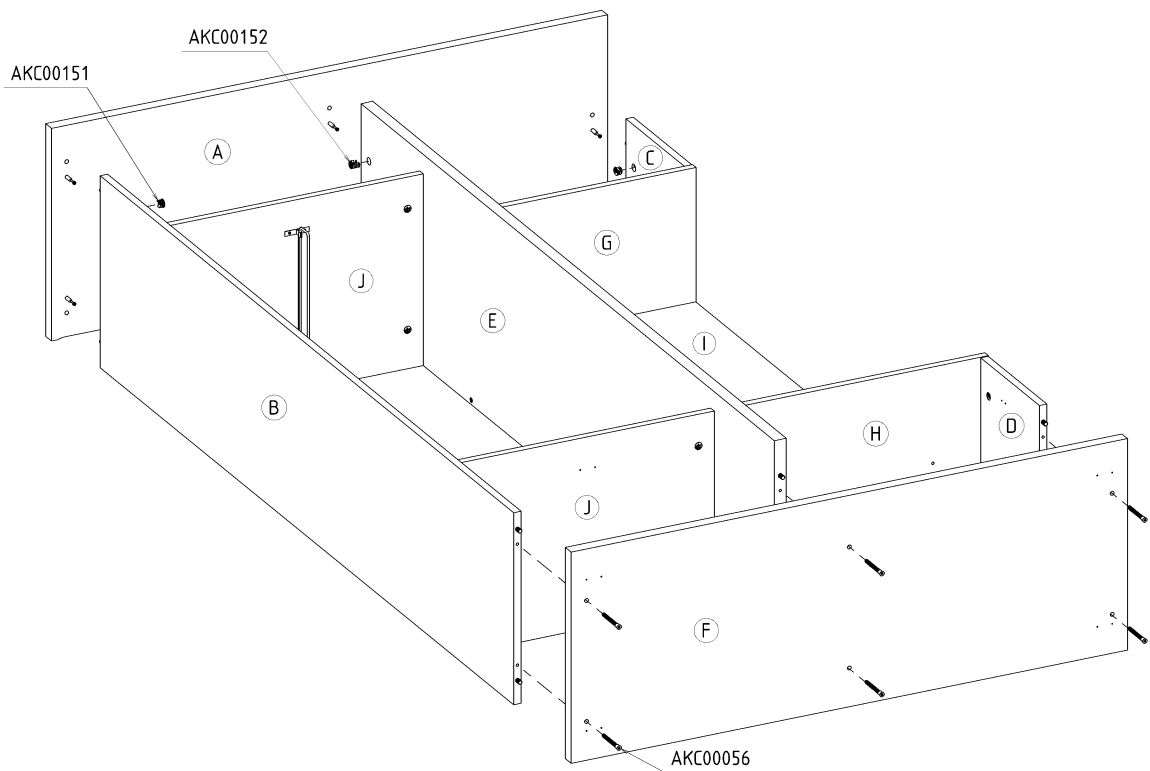
7



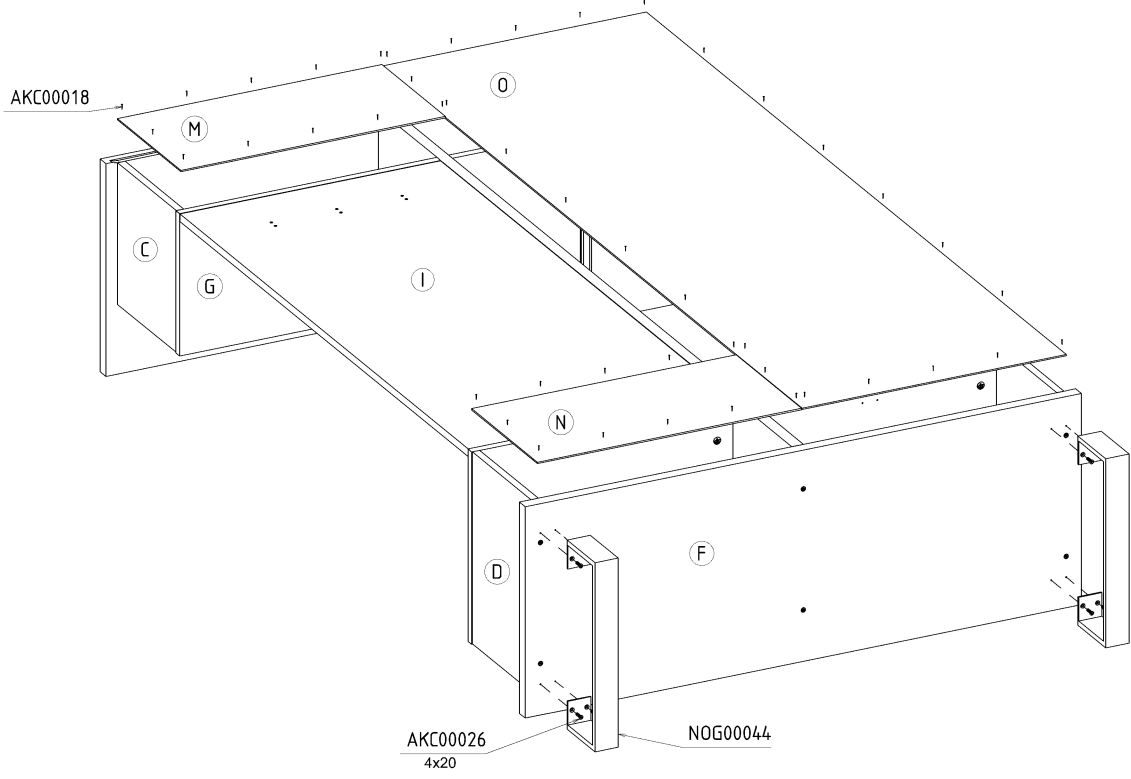
8



9



10



11

