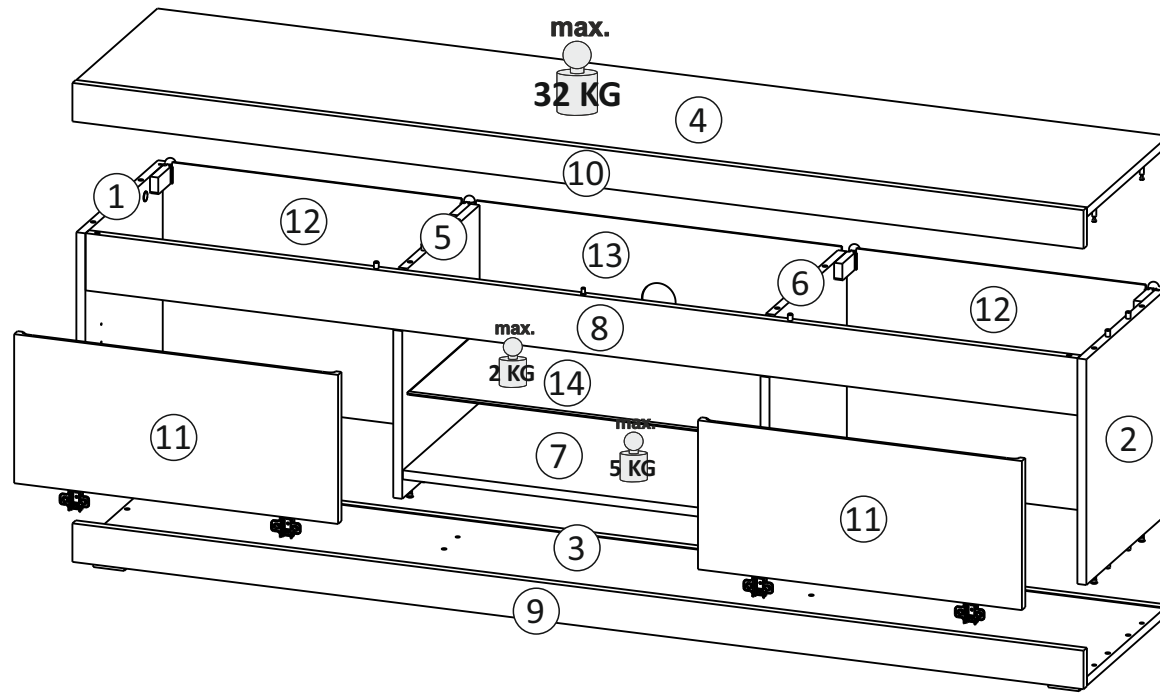











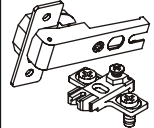









Position	L	W	H	Quantity	Colli
01	398	384	16	1	2/2
02	398	384	16	1	2/2
03	1798	384	16	1	1/2
04	1798	384	16	1	1/2
05	398	364	16	1	2/2
06	398	364	16	1	2/2
07	635	364	16	1	1/2
08	1764	101	16	1	1/2
09	1798	68	16	1	1/2
10	1798	68	16	1	1/2
11	576	263	16	2	1/2
12	412	561	3	2	1/2
13	412	650	3	1	1/2
14	635	344	6	1	1/2











 <b>1</b>	<b>K2</b>  x18	<b>T1</b>  x15	<b>M1</b>  x15	<b>S10</b>  US 3x18 x8	<b>P2</b>  3,5x18 x6	<b>B1</b>  x6	<b>W1</b>  x8	<b>K11</b>  x8	<b>K7</b>  x1
---	---	---	---	--	--	--	--	--	--

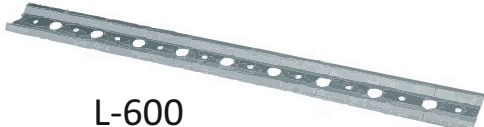
 <b>2</b>	<b>Z7</b>  x4	<b>S3</b>  4x13 x8
---	--	--

 <b>3</b>	<b>X2</b>  x6	<b>P9</b>  4x30 x12
---	--	---

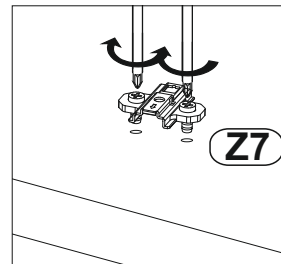
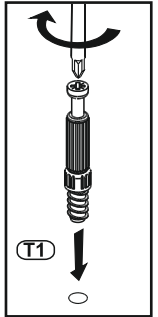
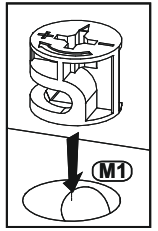
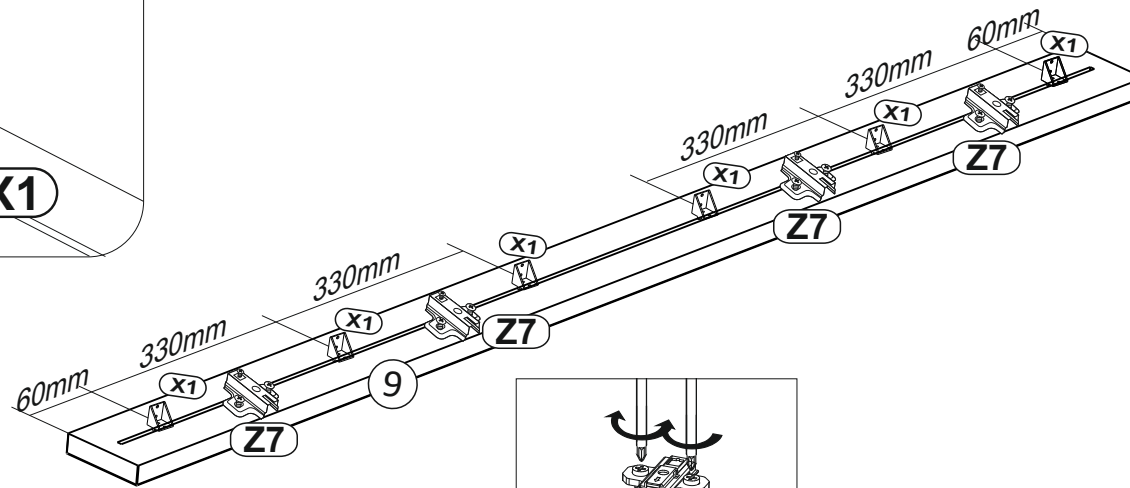
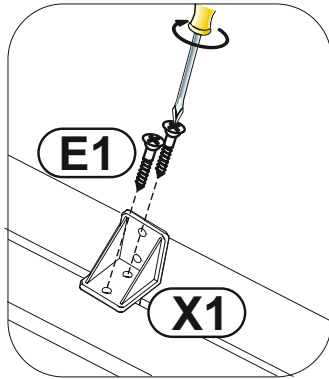
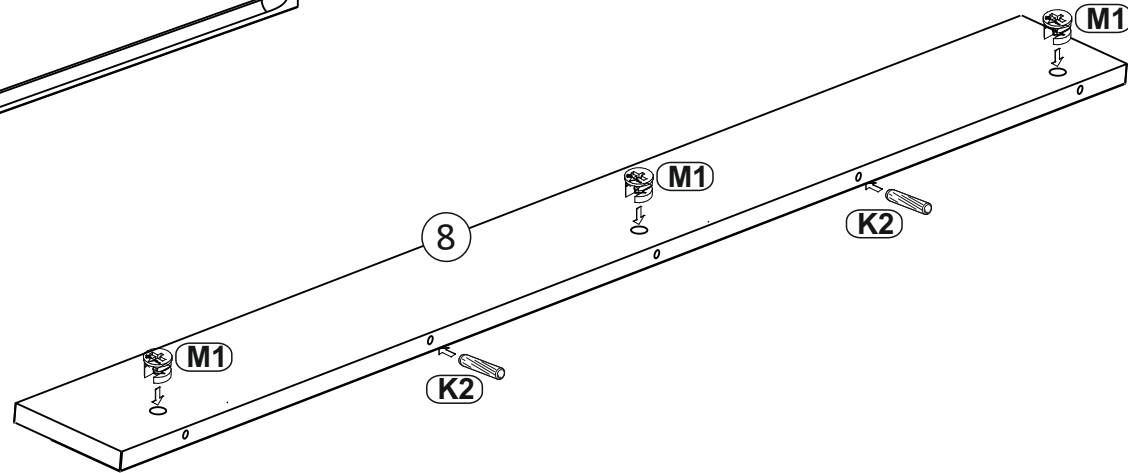
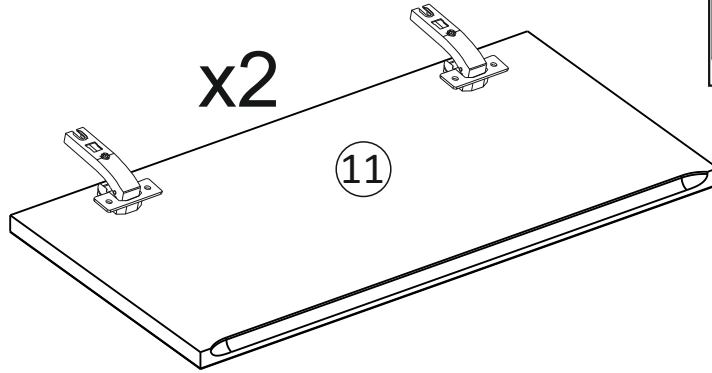
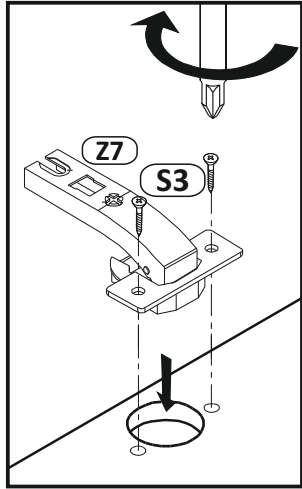
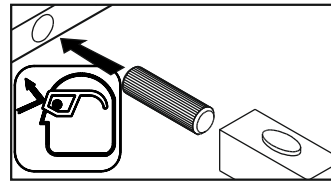
 <b>4</b>	<b>X1</b>  x6	<b>E1</b>  UP 3,5x13 x24
---	--	--

 <b>5</b>	<b>R9</b>  x2	<b>S1</b>  3,5x13 x8
---	--	--

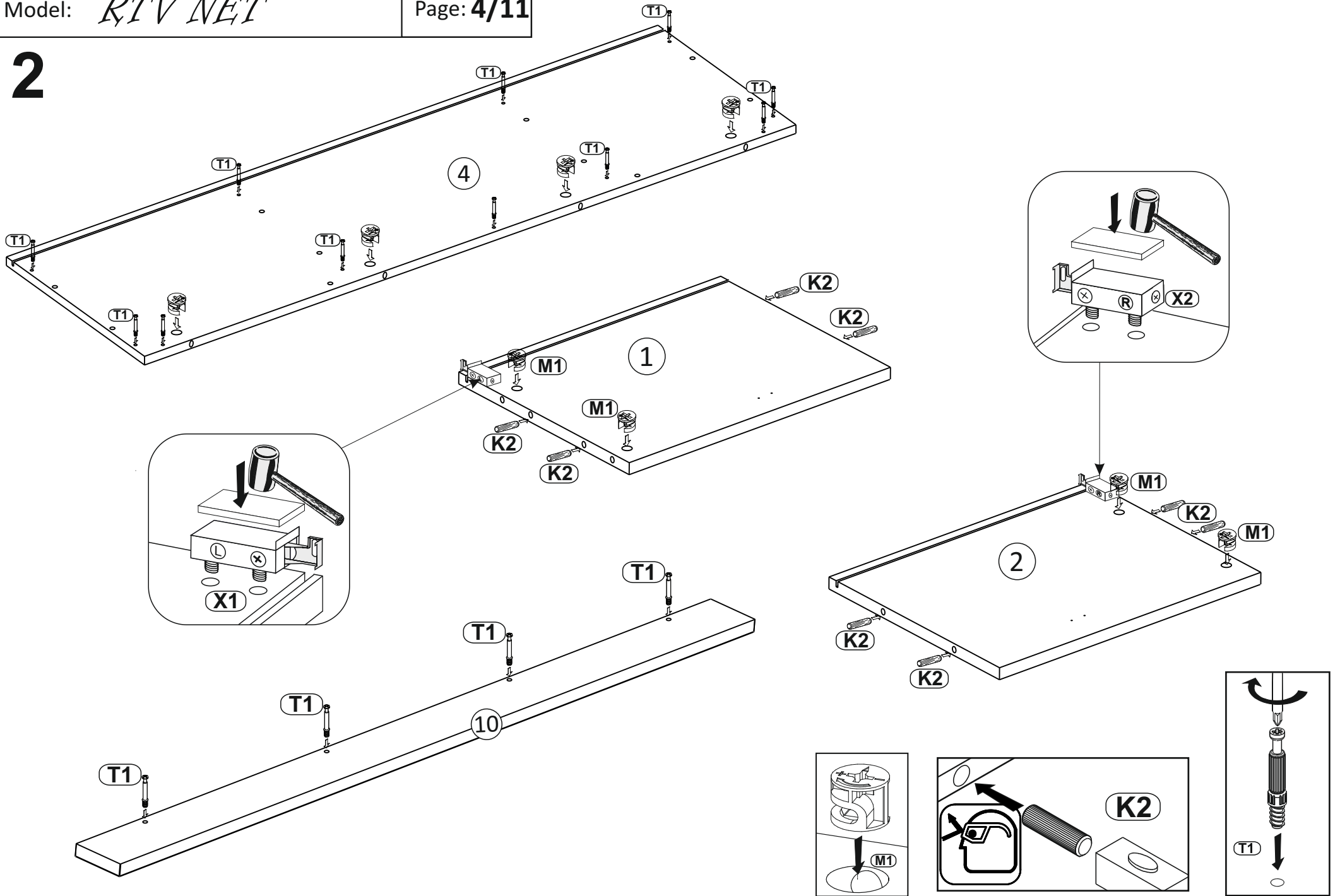
 <b>6</b>	<b>X1</b>  x2	<b>X2</b>  x2	<b>R3</b>  8x40 x4	<b>P20</b>  5x60 x4
---	---	--	--	---

<b>K20</b>  L-600 x2
--

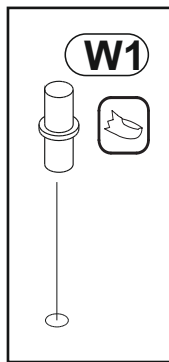
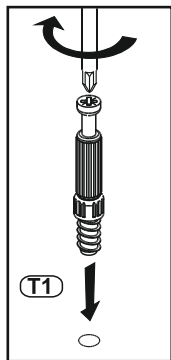
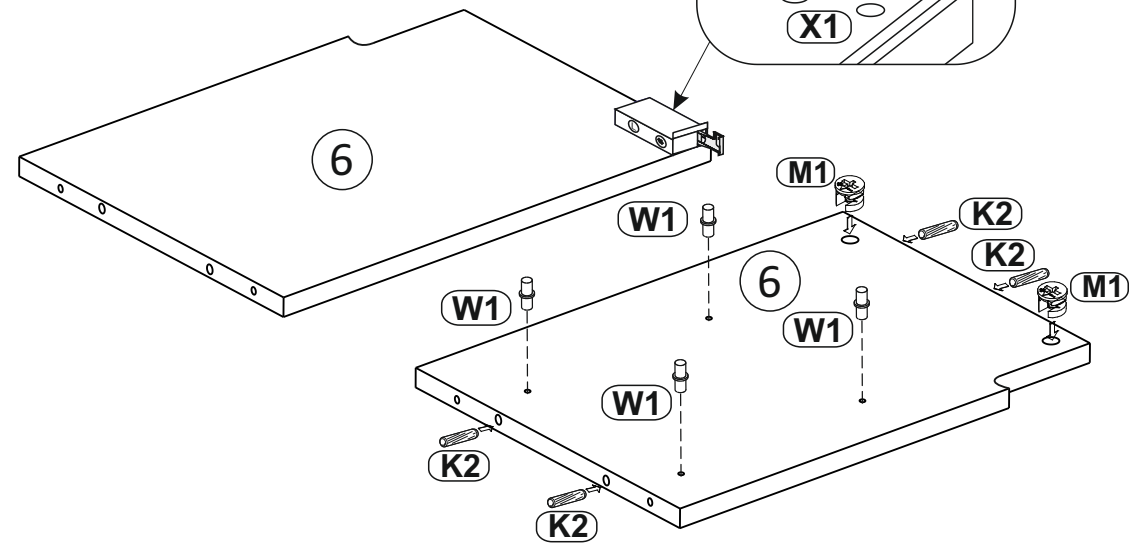
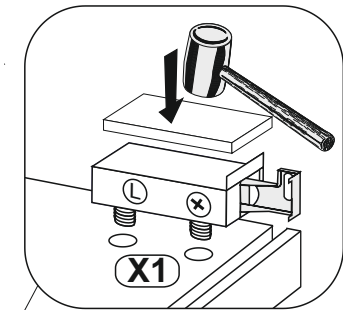
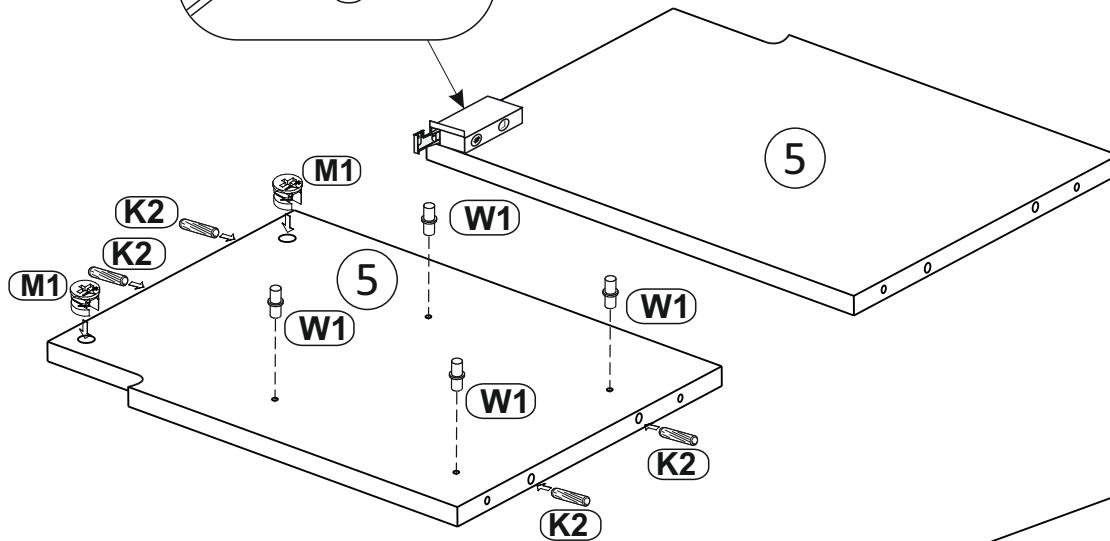
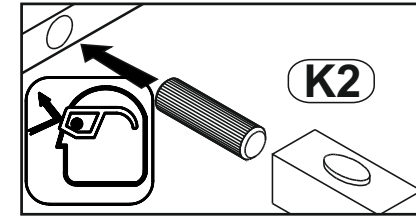
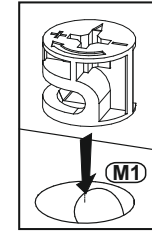
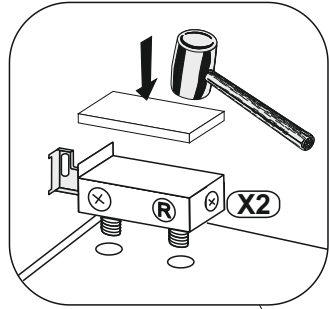
**1**



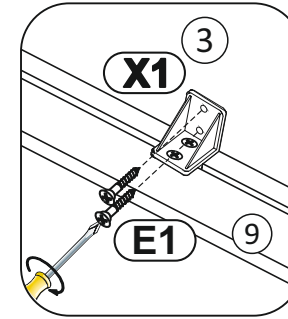
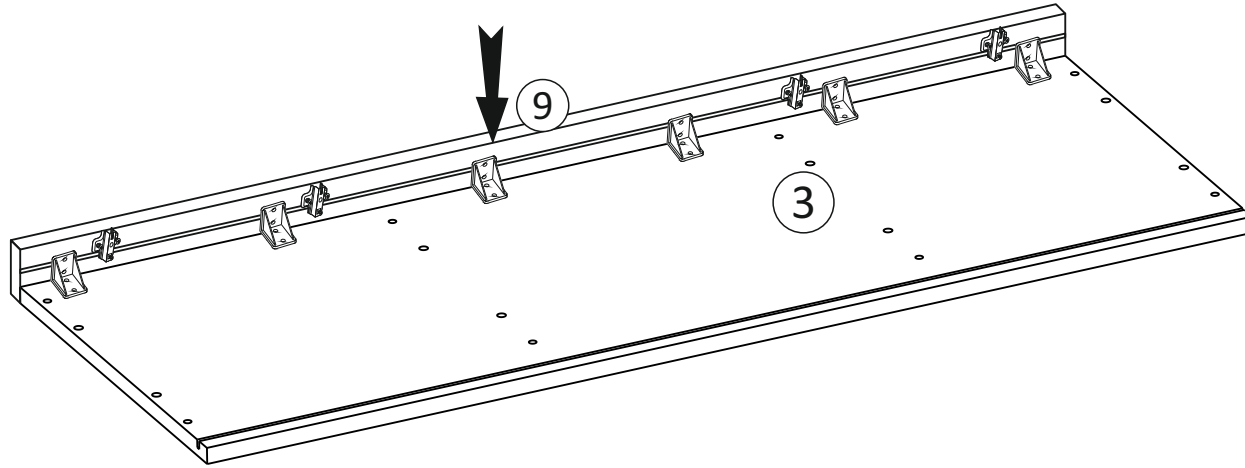
# 2



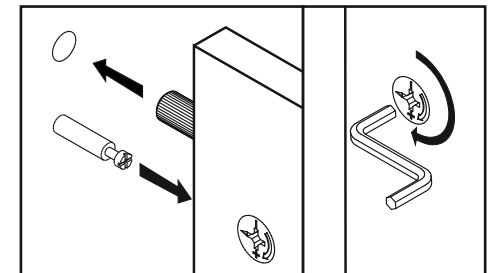
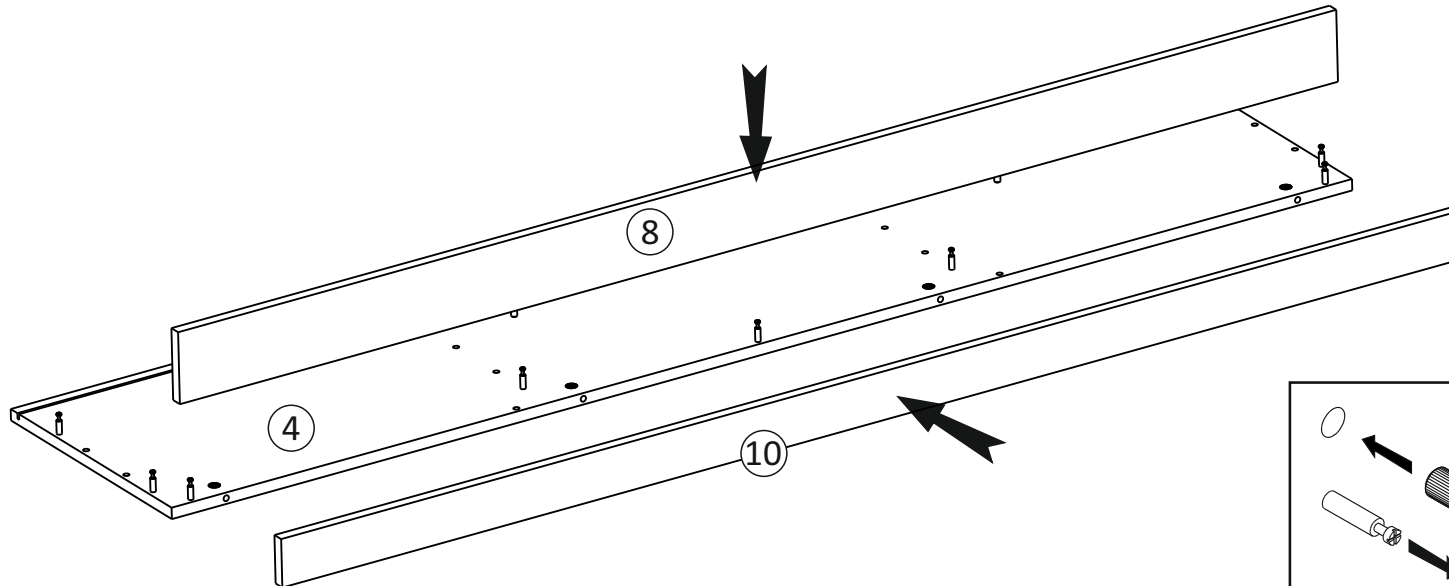
3



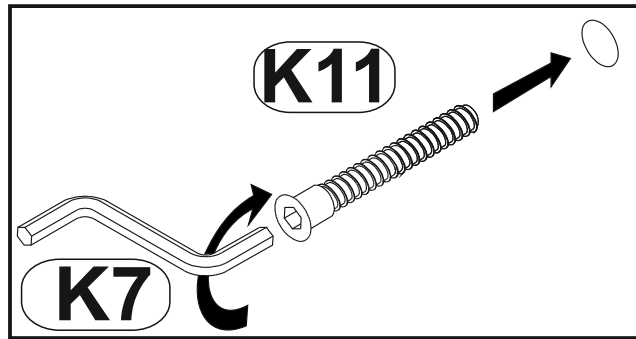
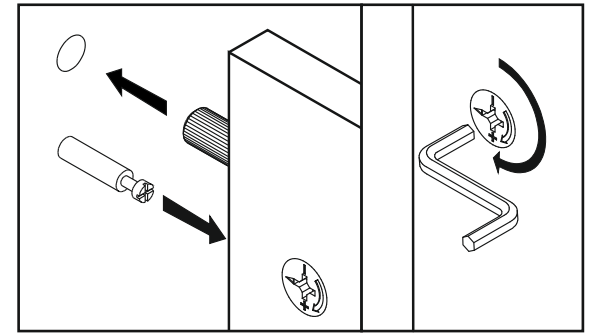
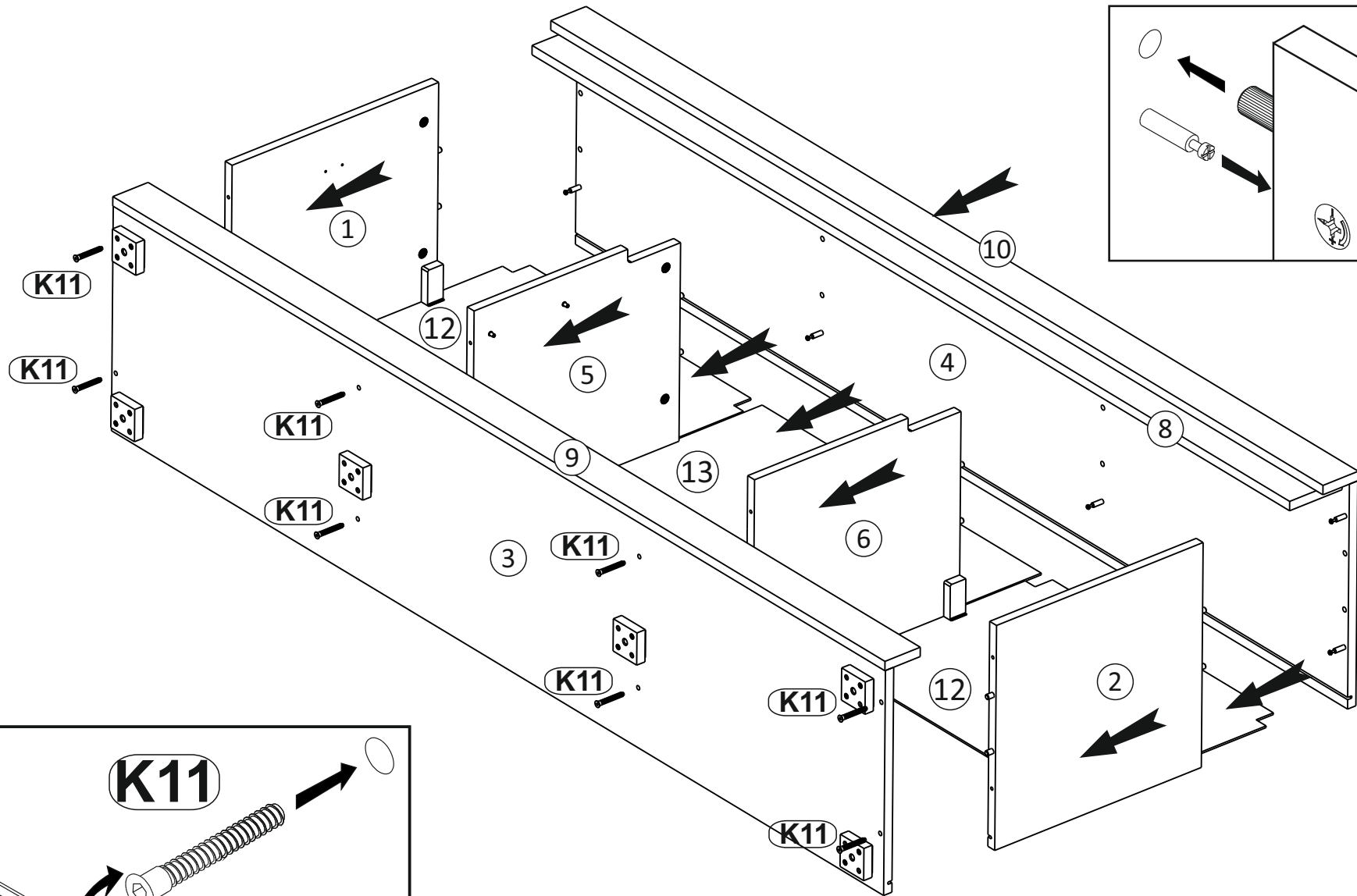
4



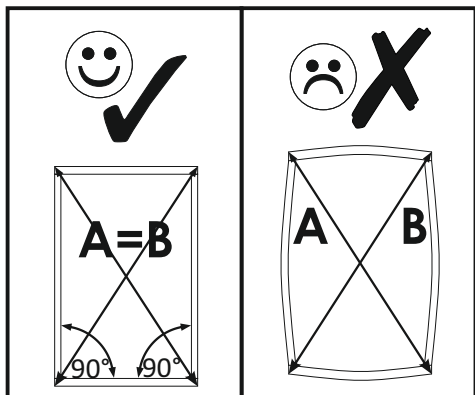
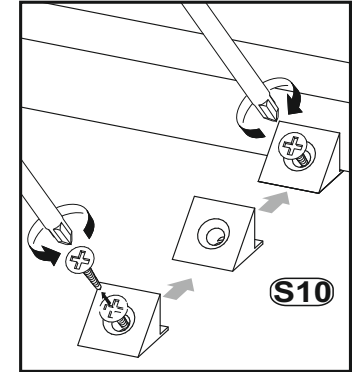
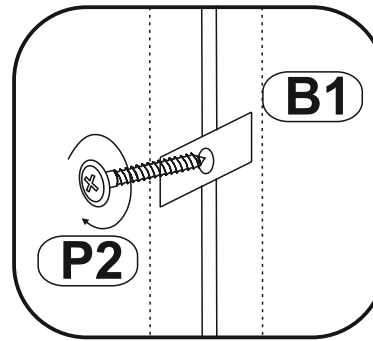
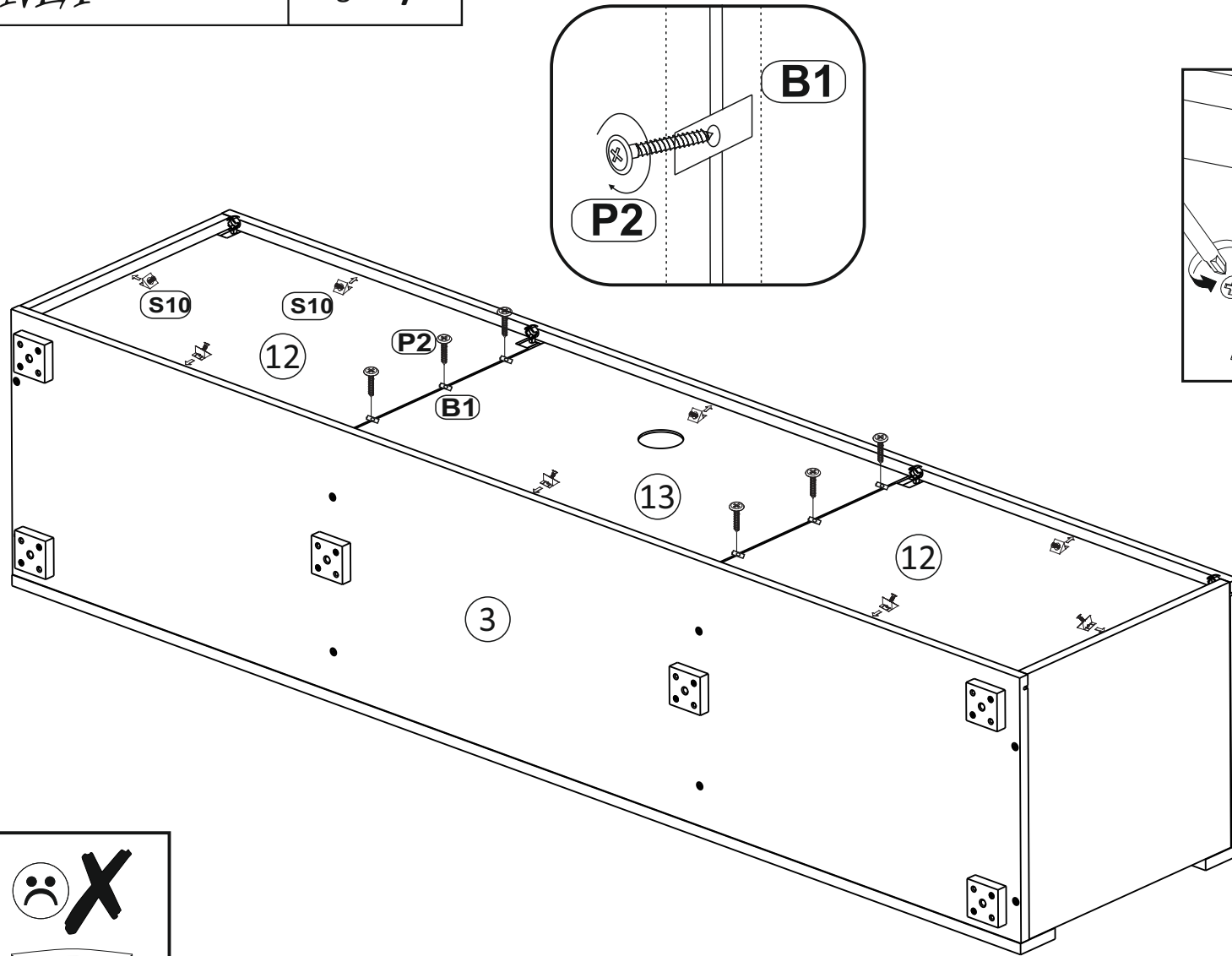
5



# 6

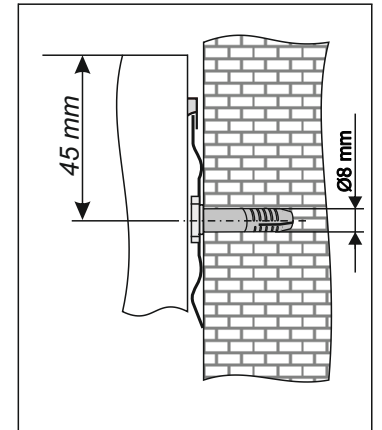
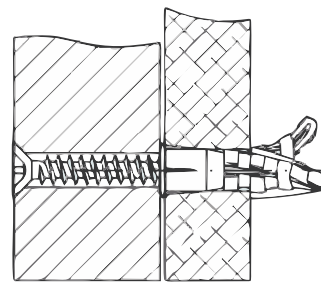
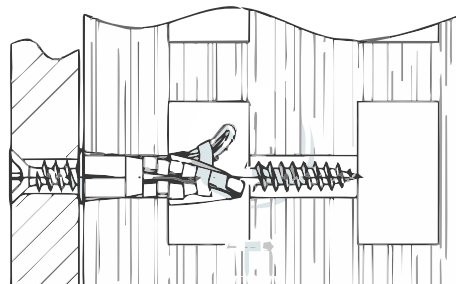
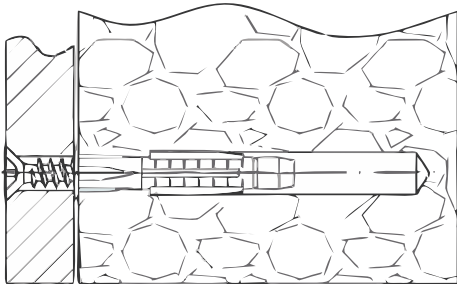
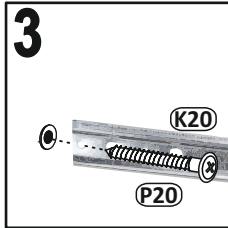
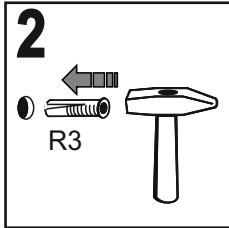
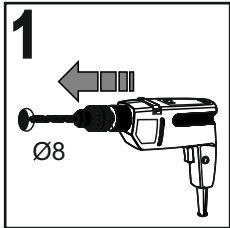
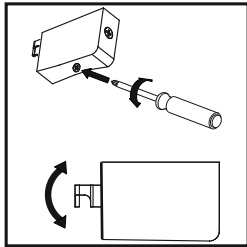
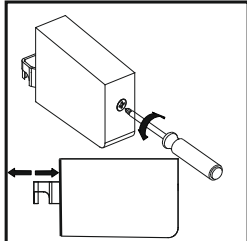
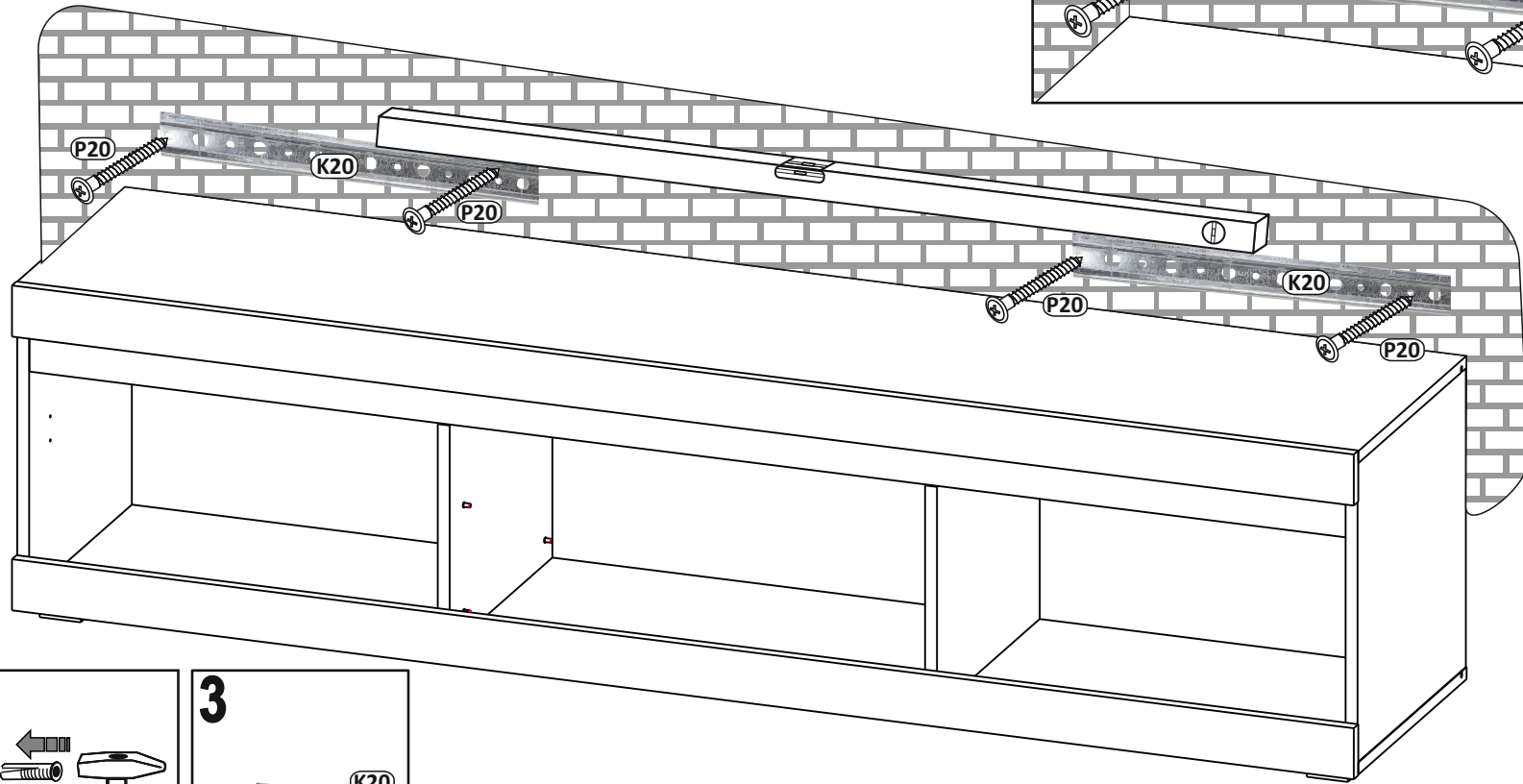
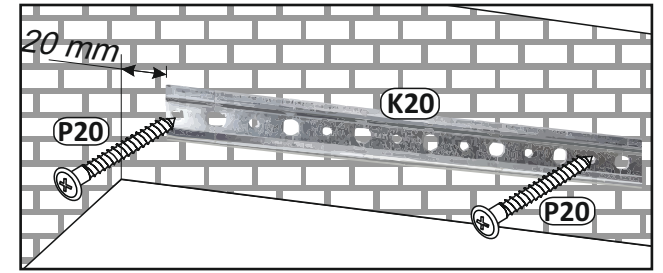


# 7

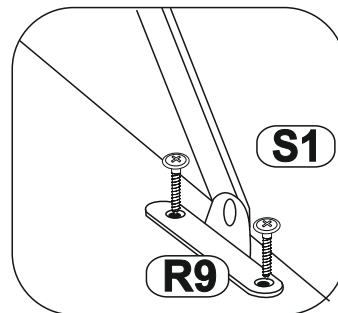
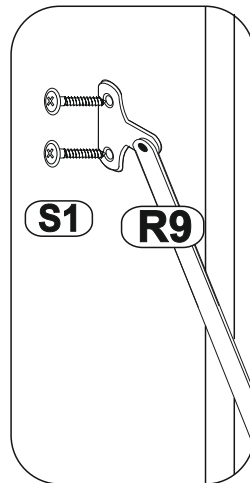
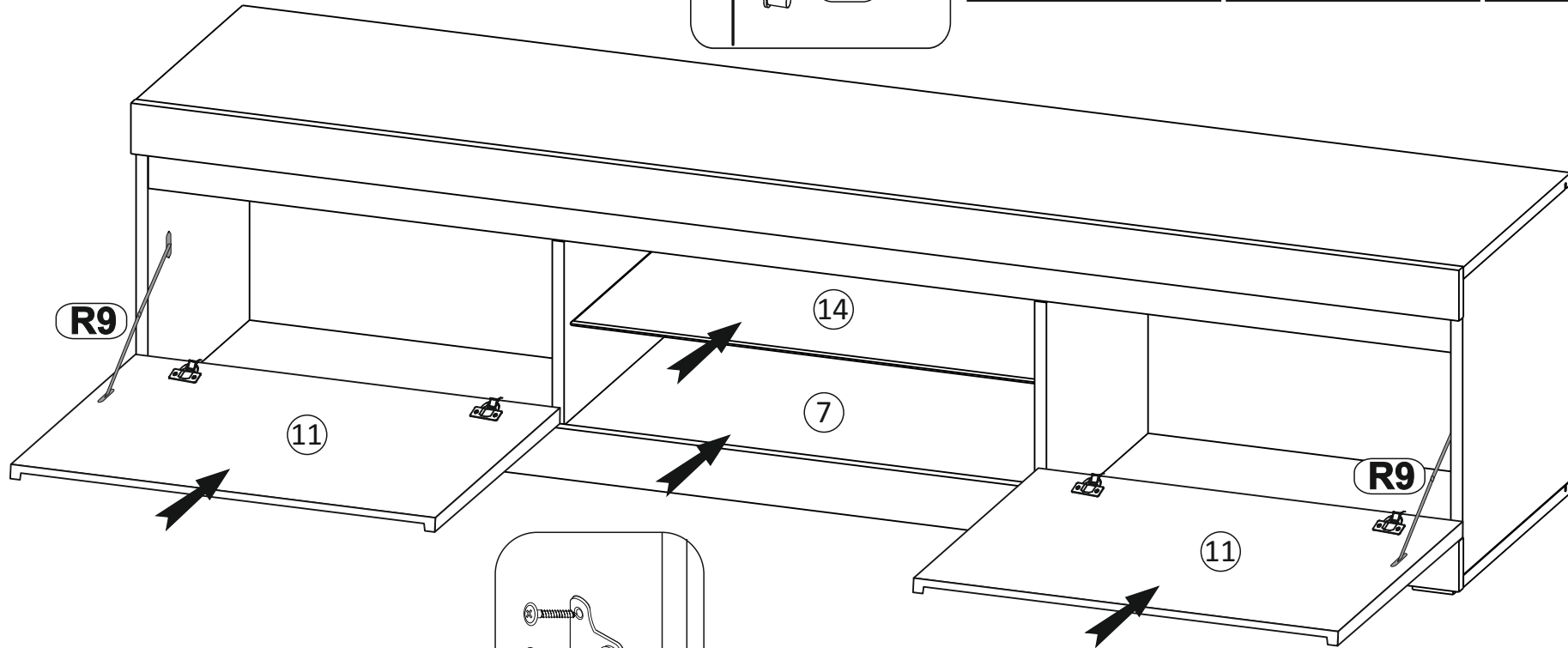
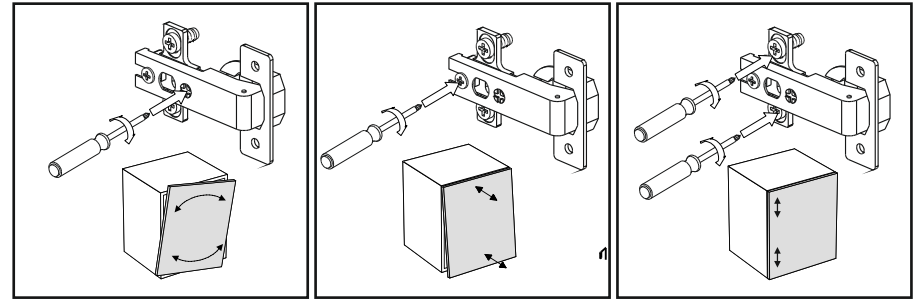
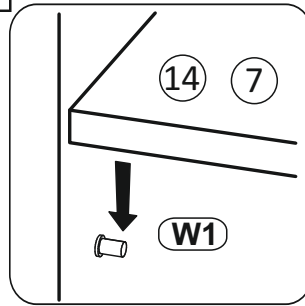




# 8



**9**



# 10

