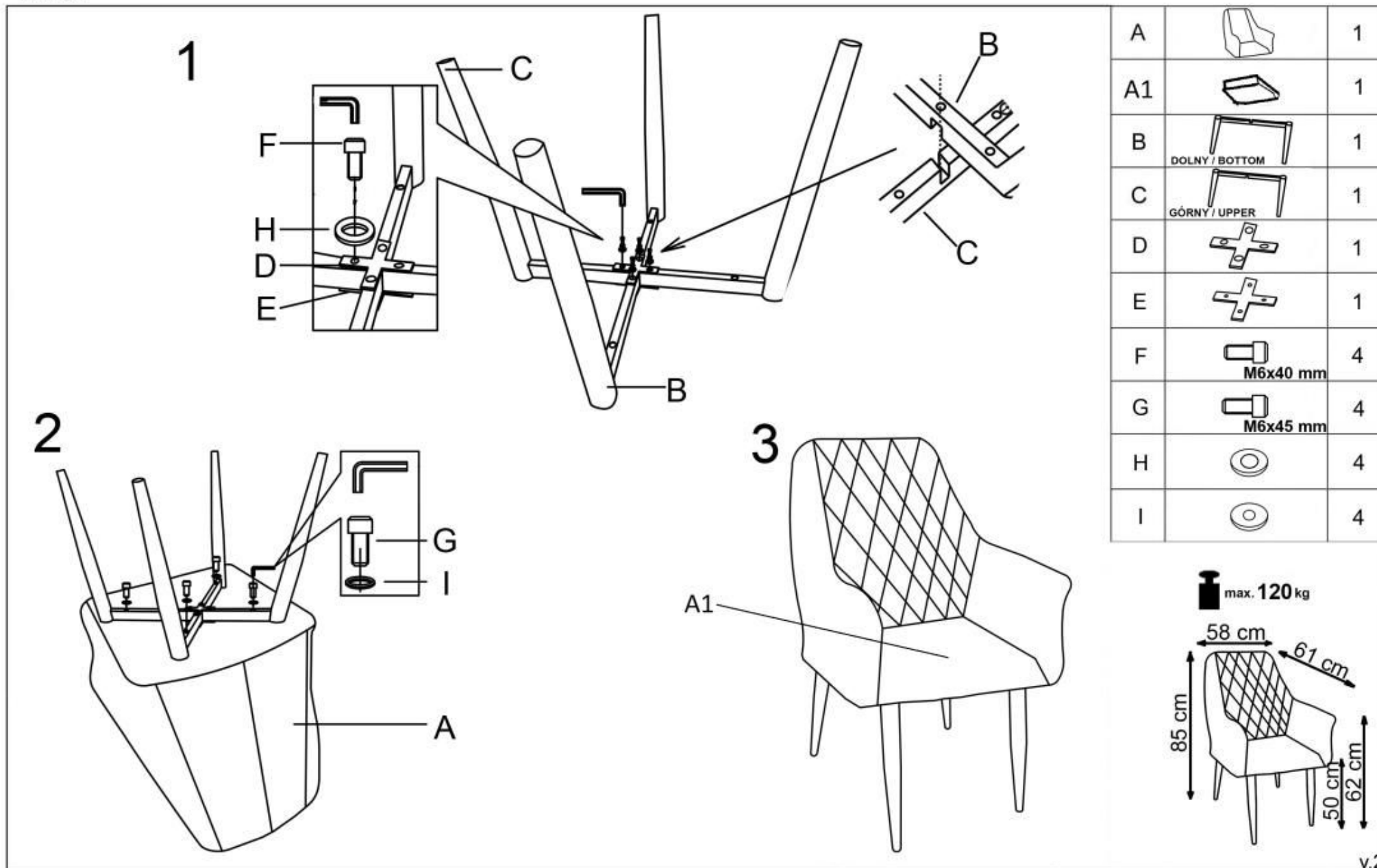
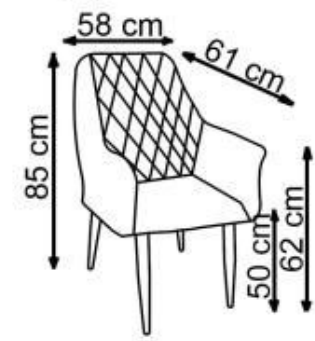


K287



A		1
A1		1
B	 DOLNY / BOTTOM	1
C	 GÓRNY / UPPER	1
D		1
E		1
F	 M6x40 mm	4
G	 M6x45 mm	4
H		4
I		4

max. 120 kg



v.2