
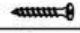

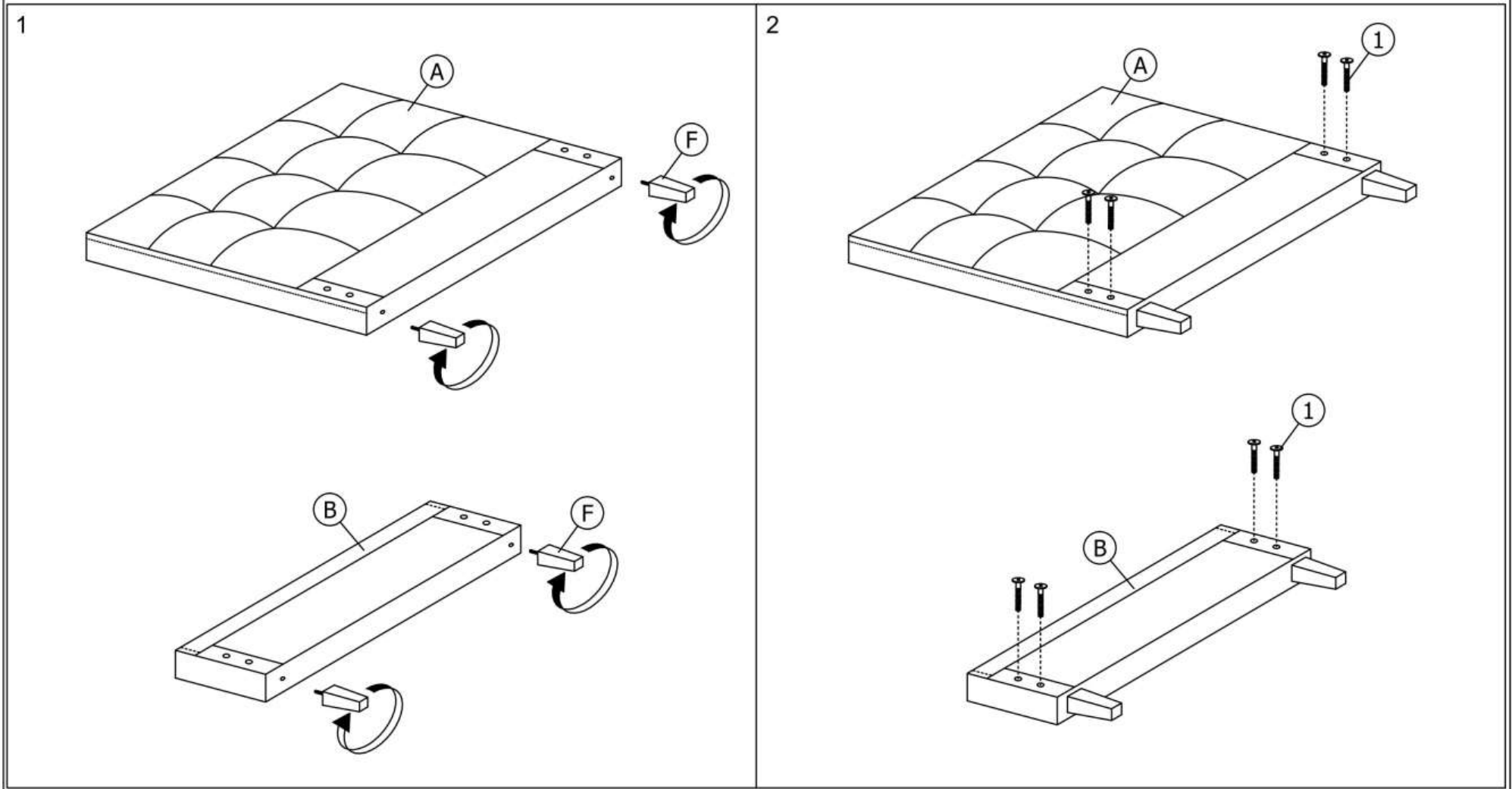


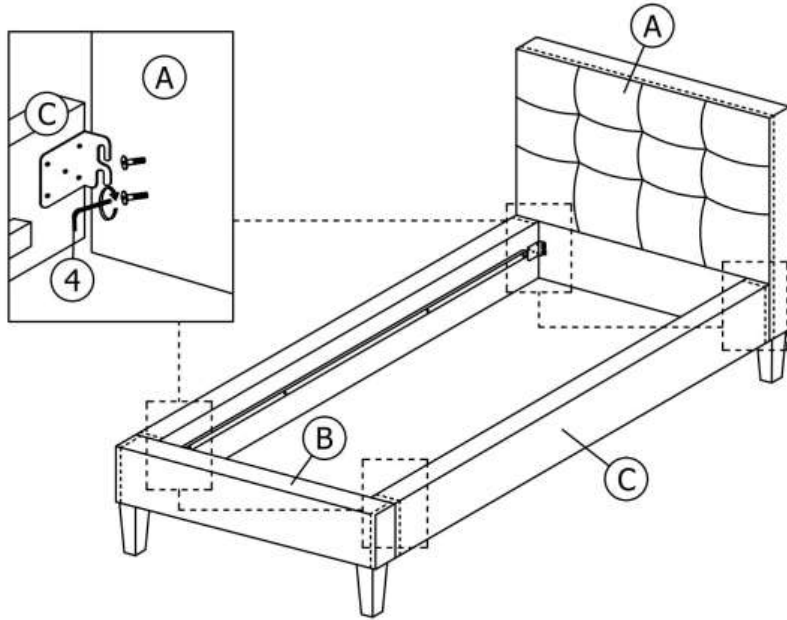
TEXAS 90

A	1 PC
B	1 PC
C	2 PCS
D	1 PC
E	17 PCS
F	4 PCS

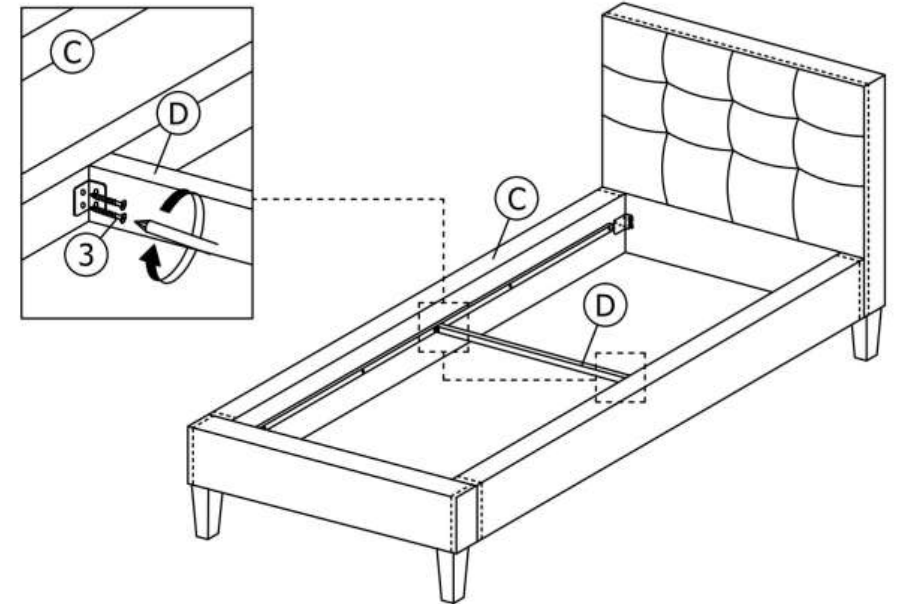
1	M8 x 30mm		8 PCS
2			34 PCS
3	M3.5 x 16mm		4 PCS
4	M5		1 PC



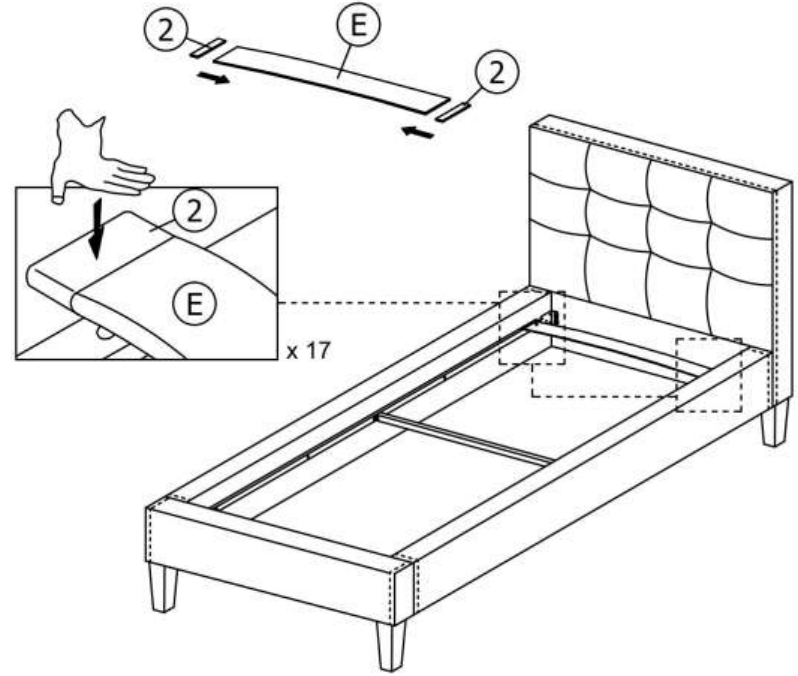
TEXAS 90



4



5

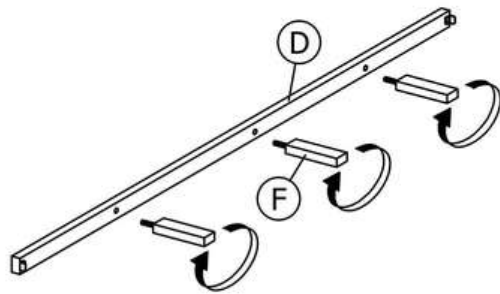


6

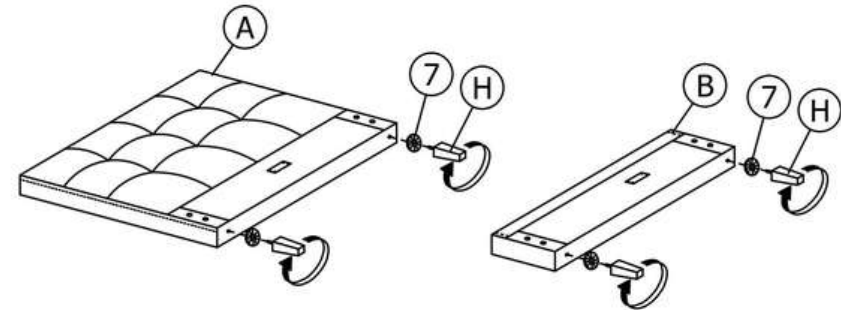


A	1 PC	1	M8 x 30mm		8 PCS
B	1 PC	2			34 PCS
C	2 PCS	3			17 PCS
D	1 PC	4	M3.5 x 16mm		8 PCS
E	2 PCS	5	M5		1 PC
F	3 PCS	6	M4 x 20mm		2 PCS
G	34 PCS	7			4 PCS
H	4 PCS				

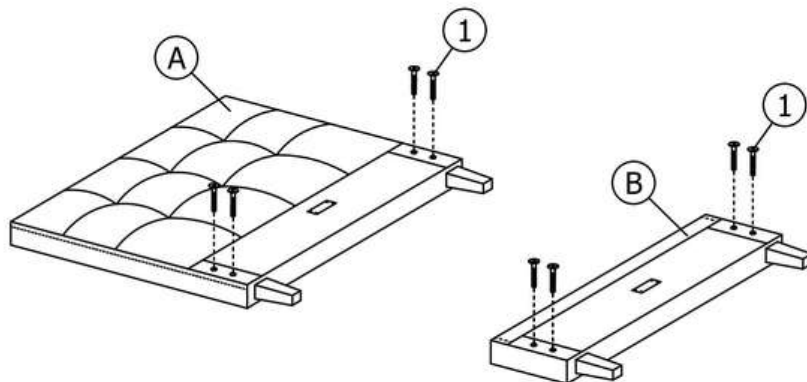
1



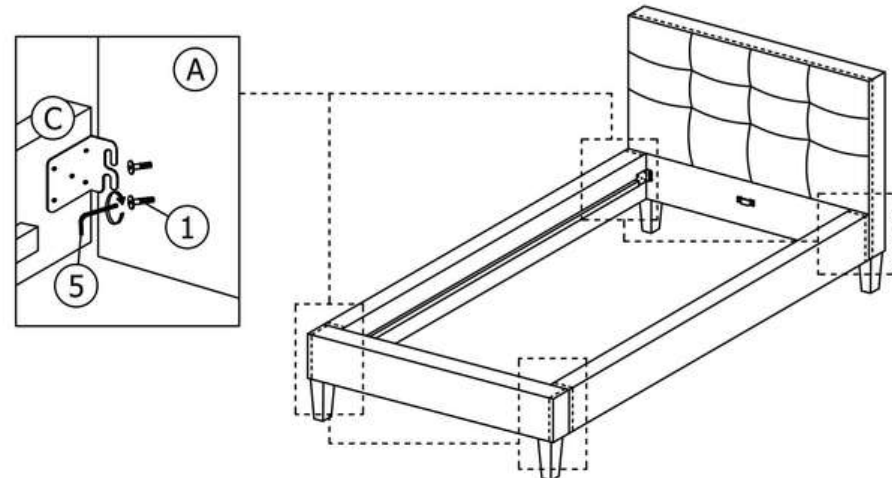
2

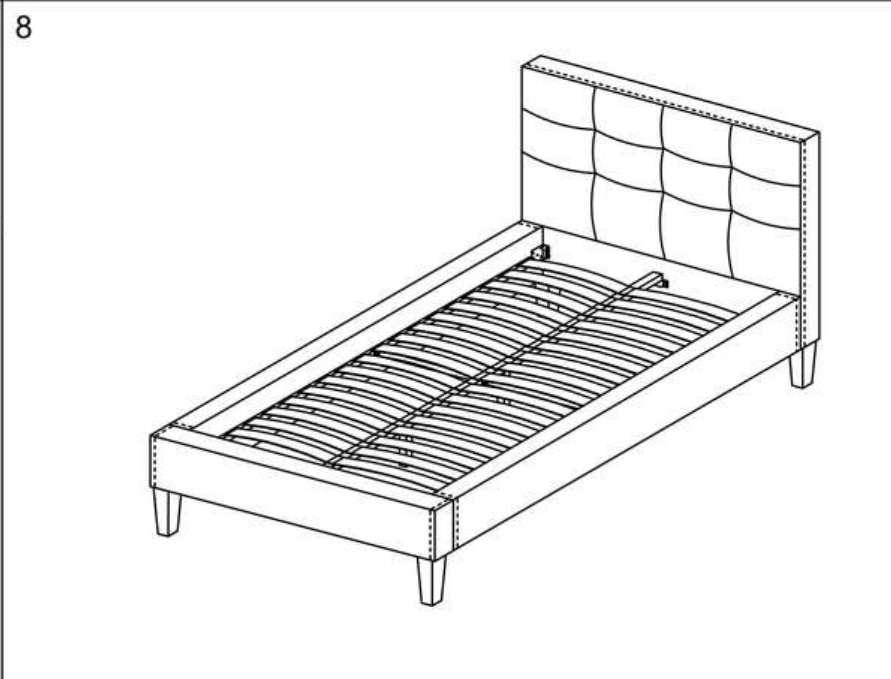
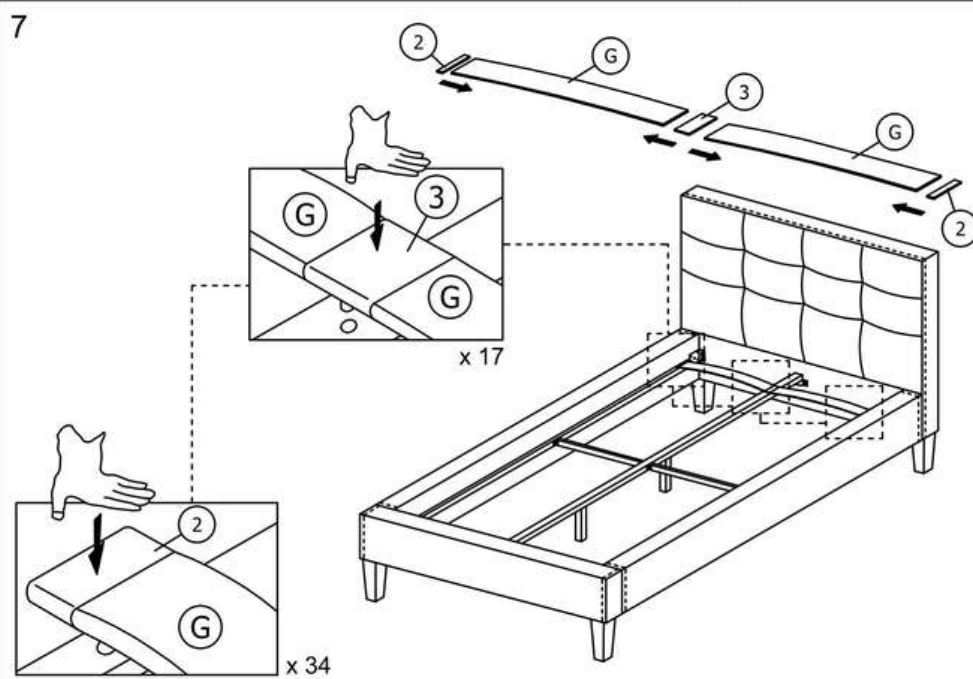
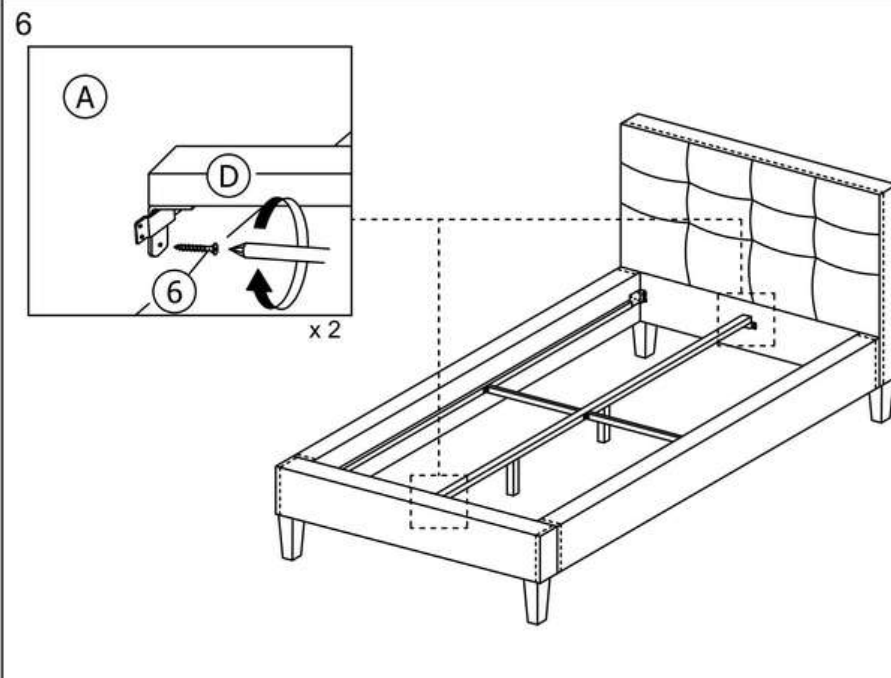
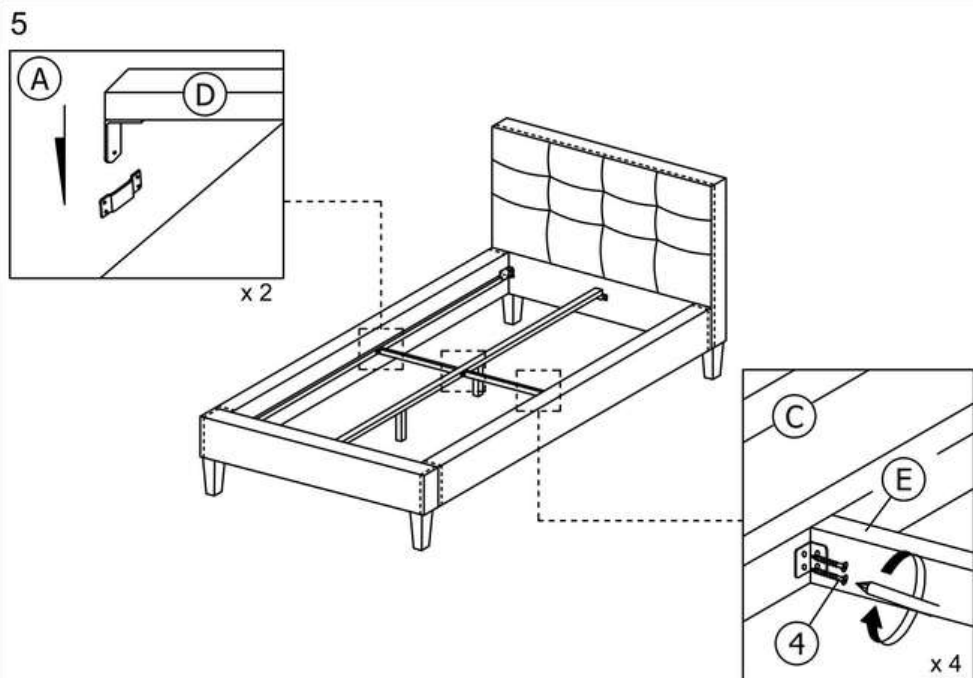





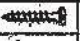


3

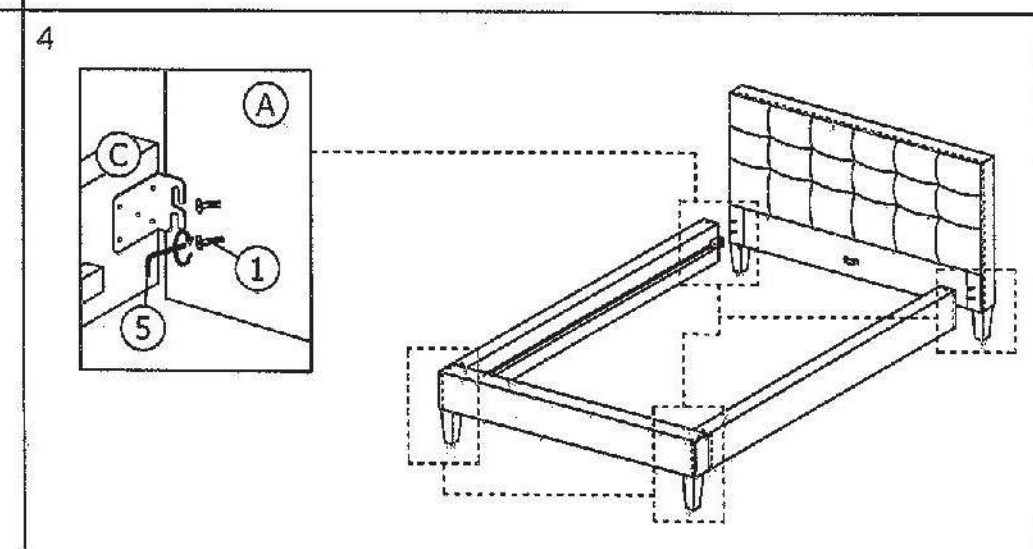
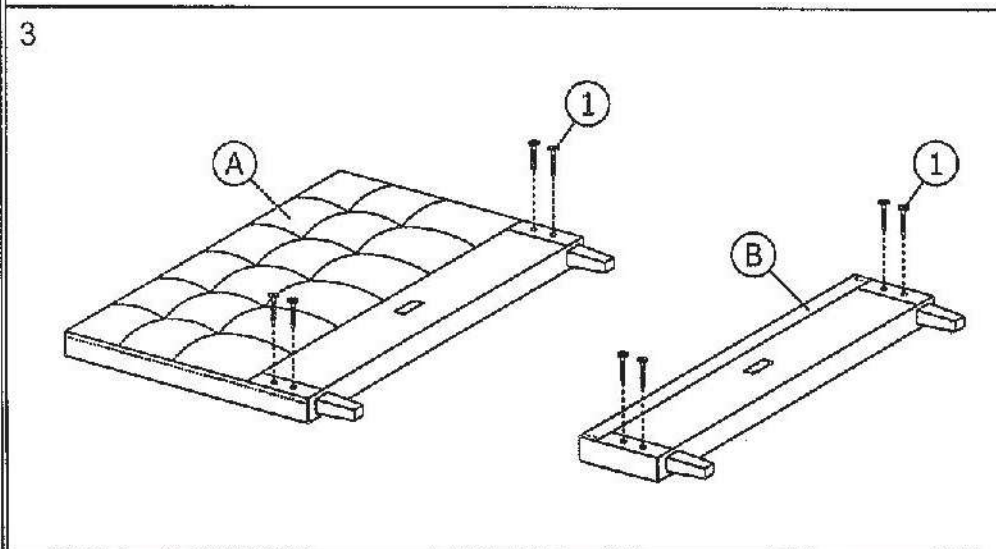
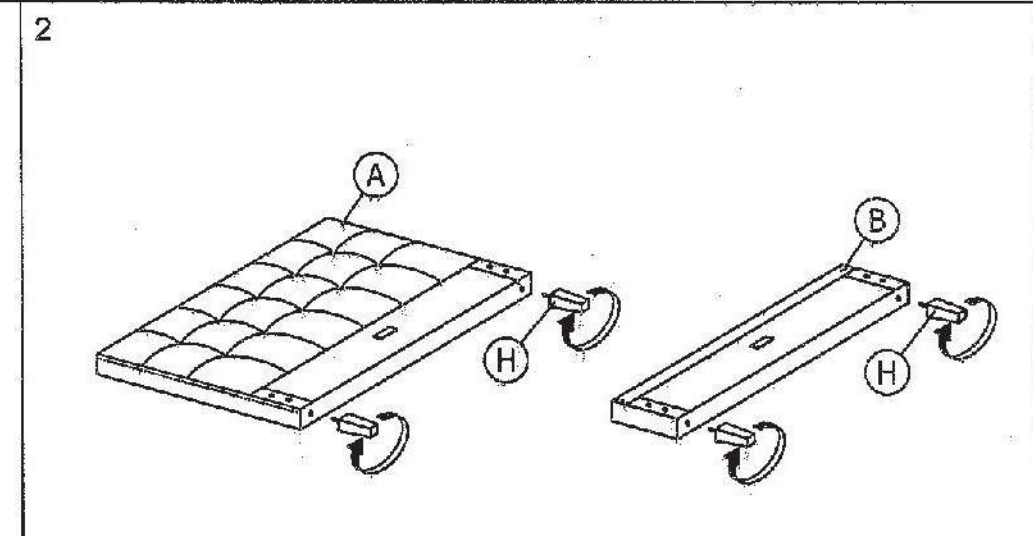
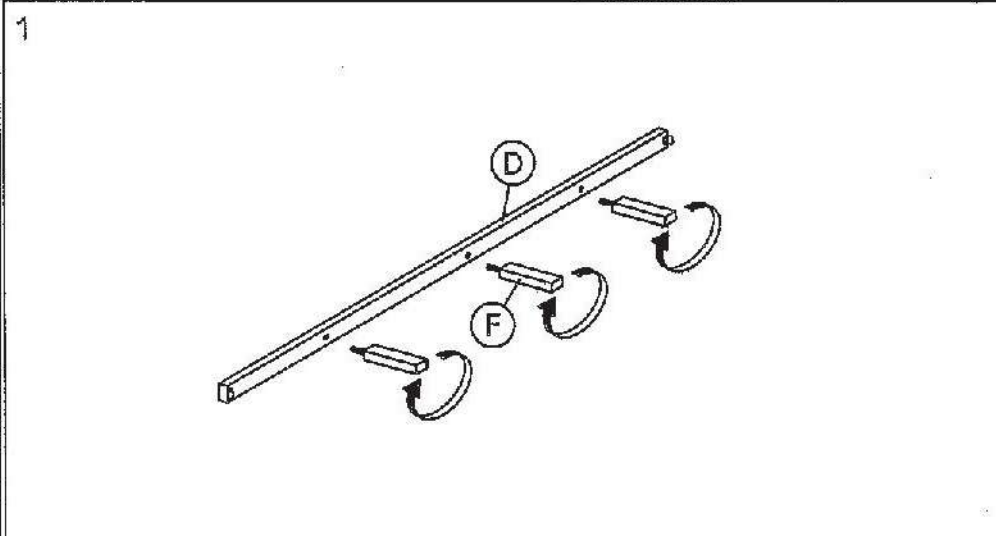


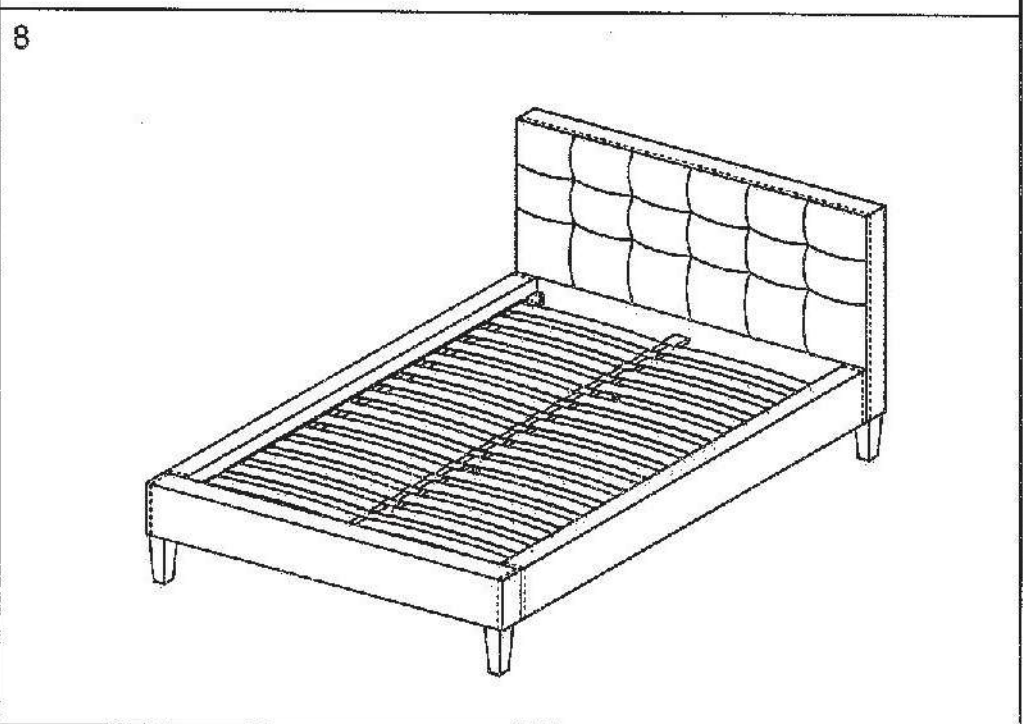
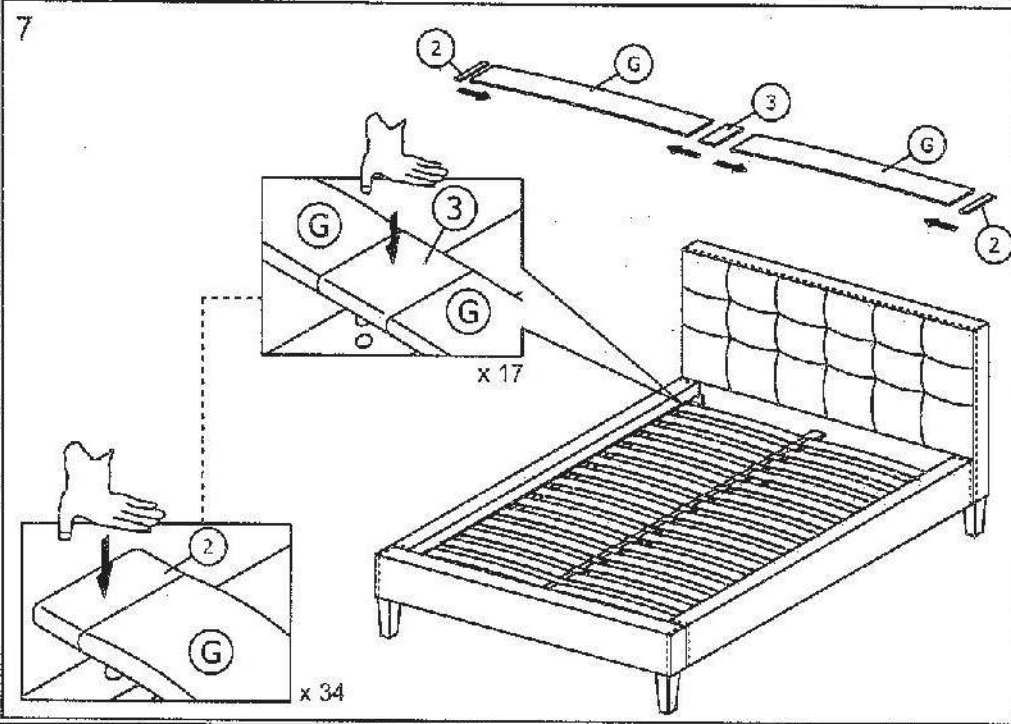
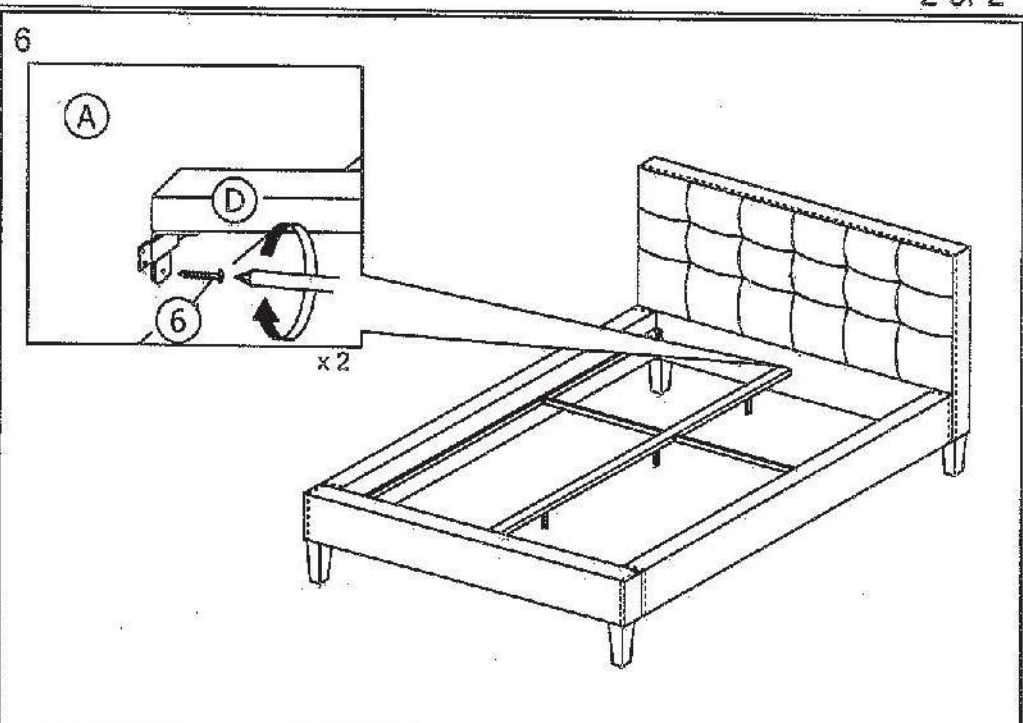
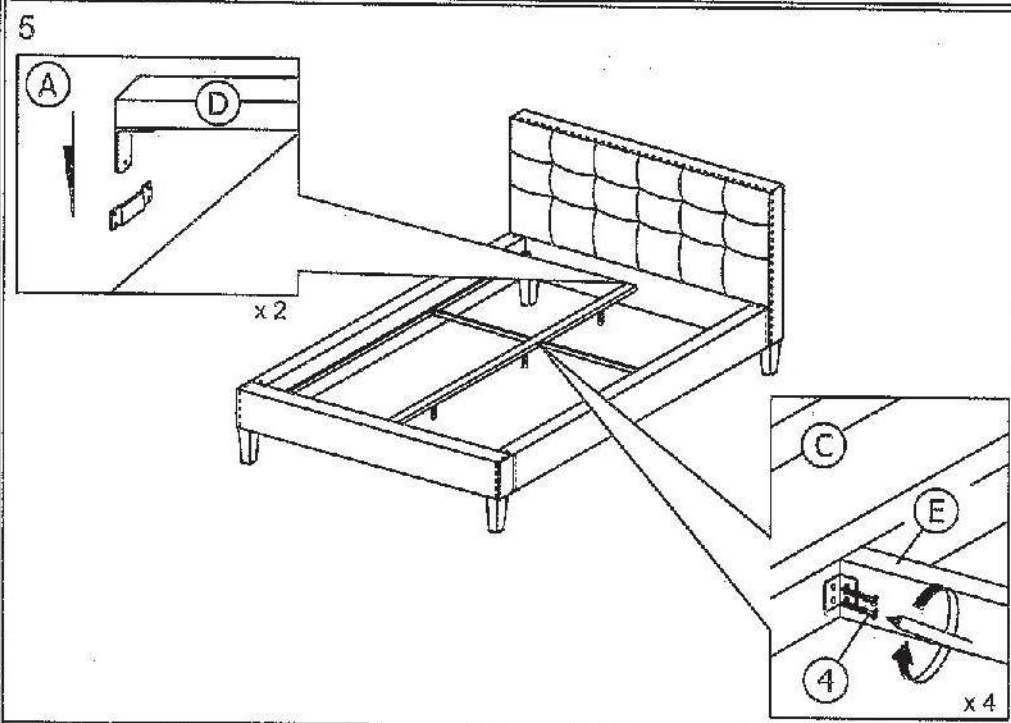
4

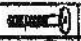


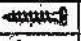




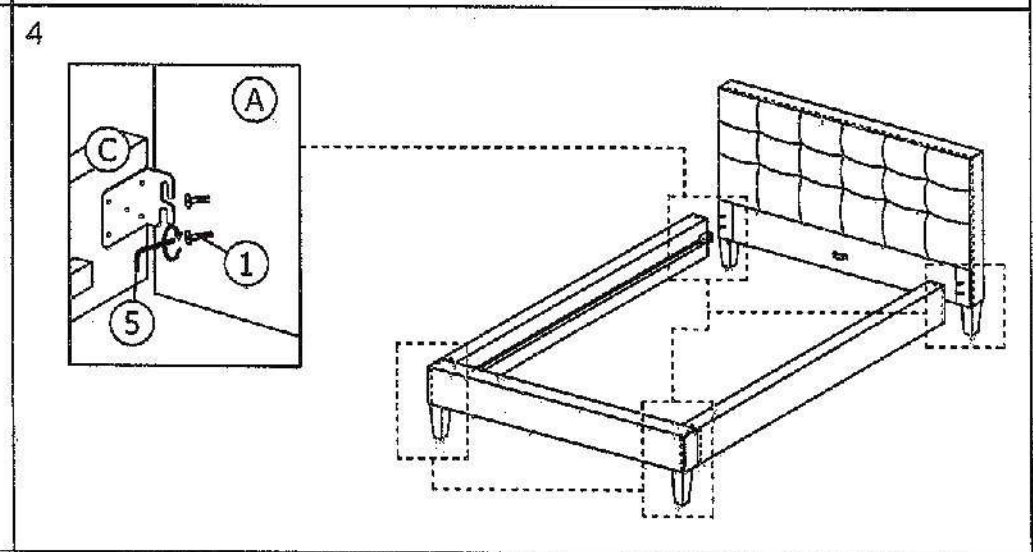
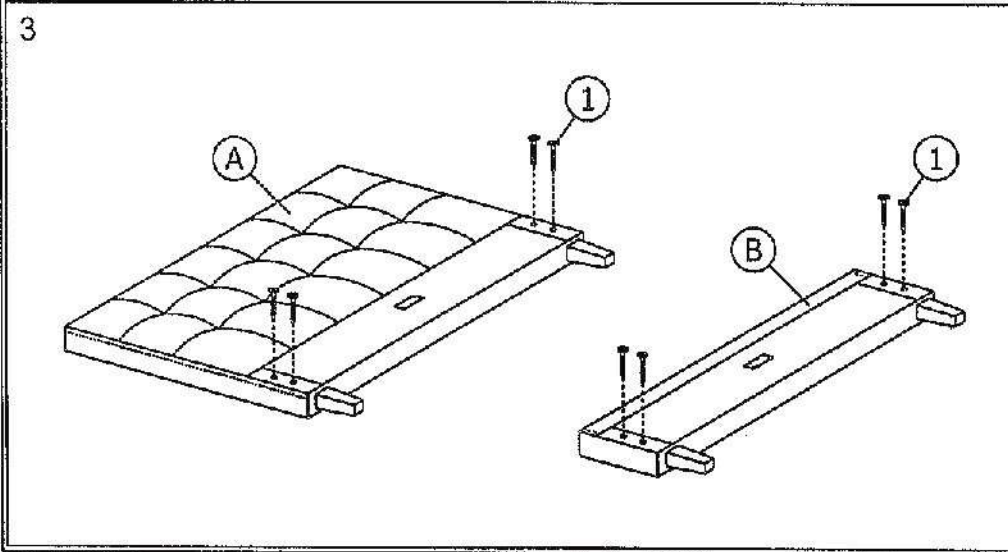
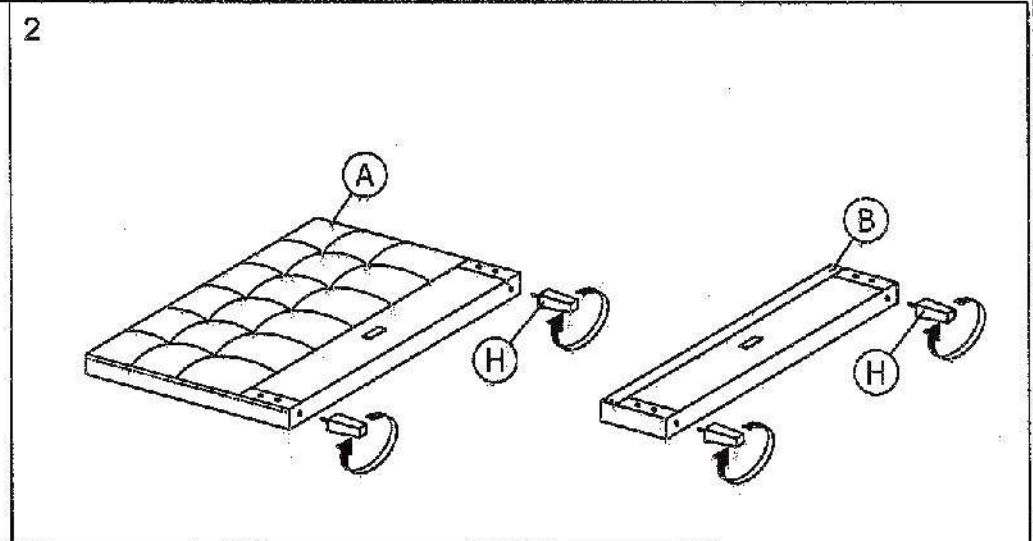
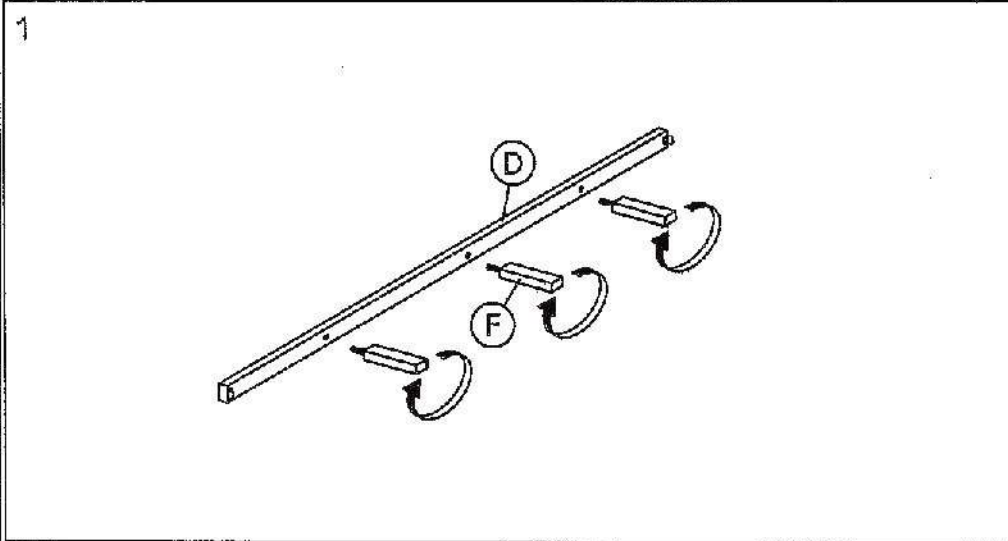


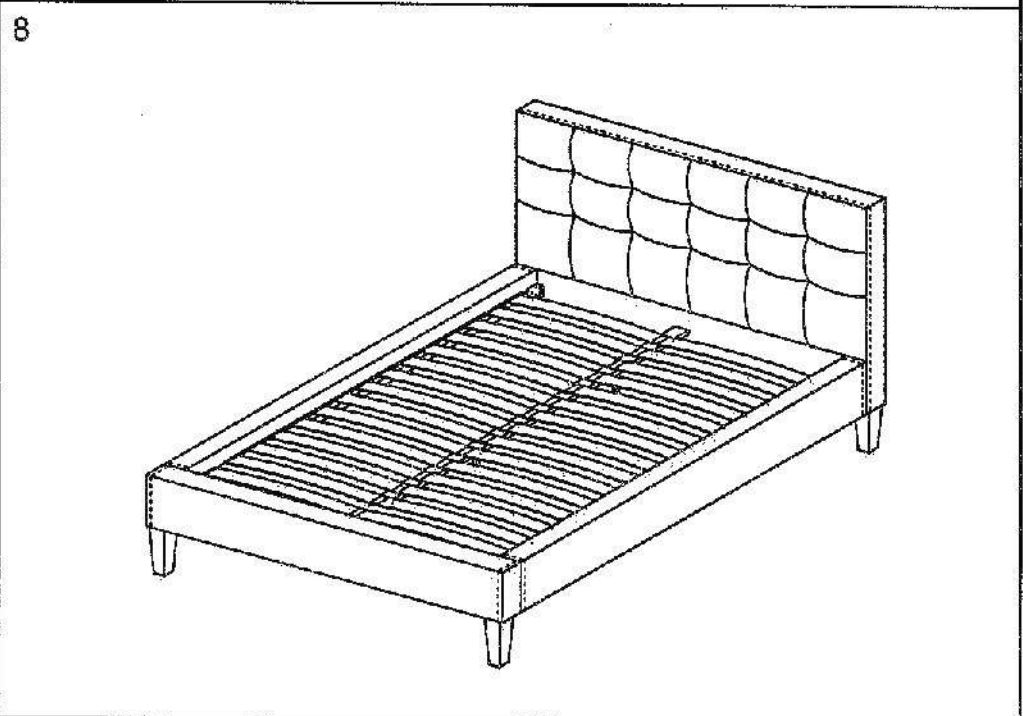
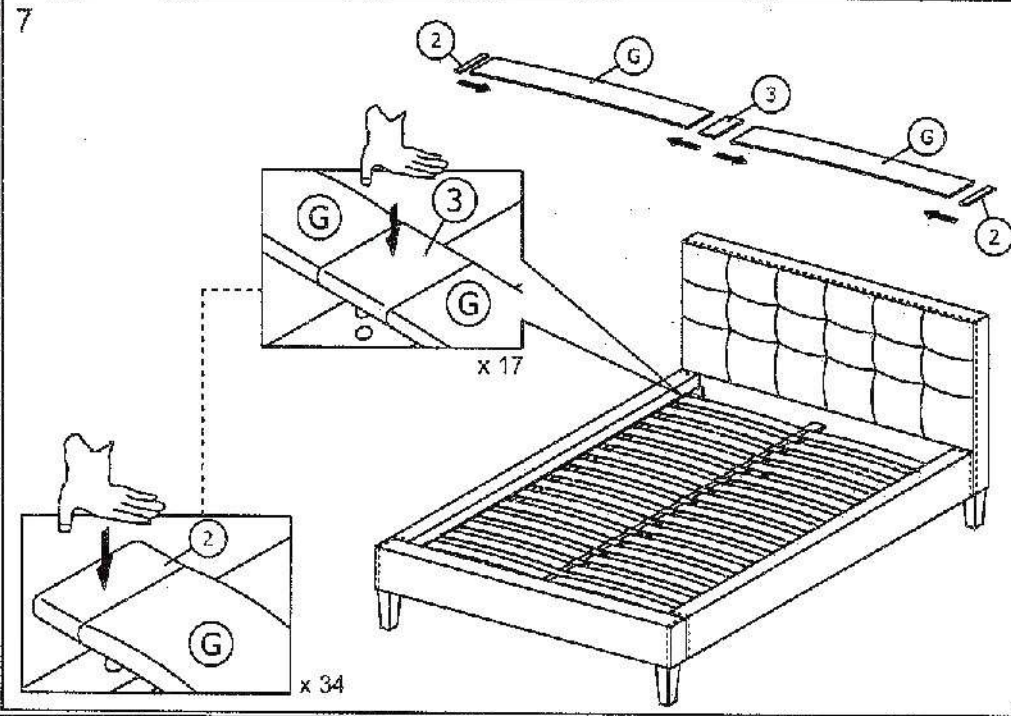
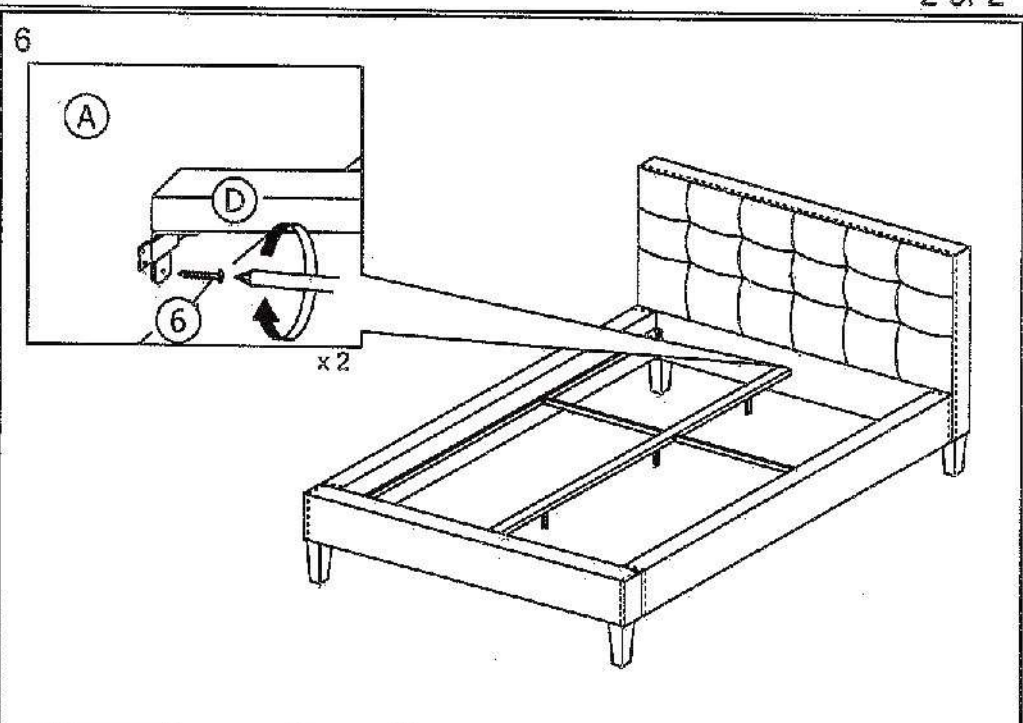
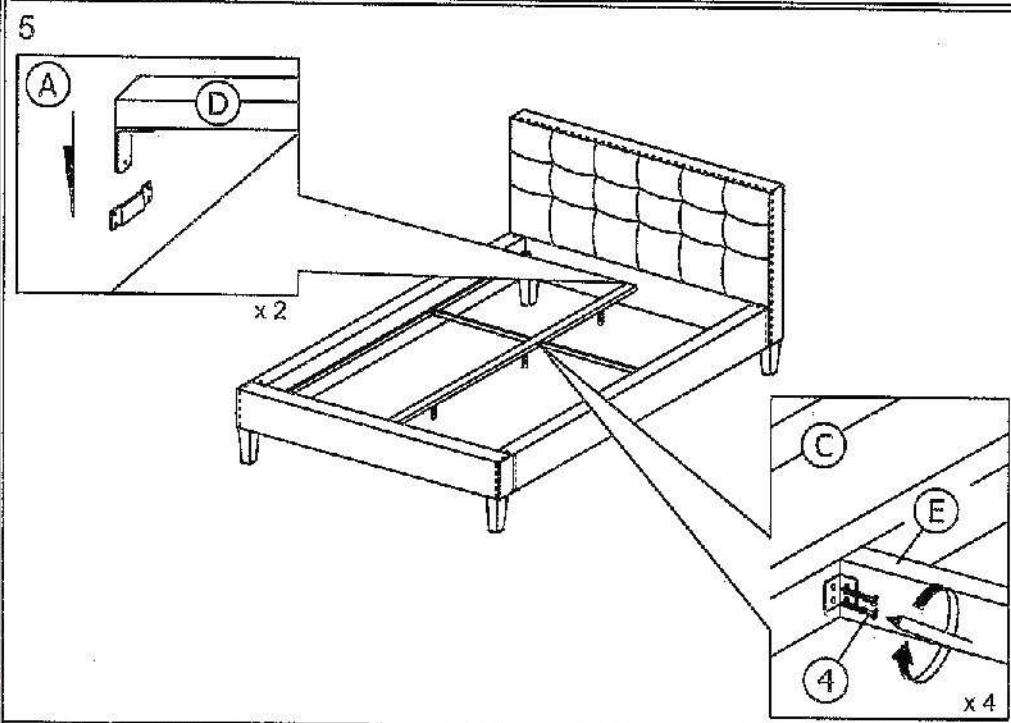
A	1 PC	1	M8 x 30mm		8 PCS
B	1 PC	2			34 PCS
C	2 PCS	3			17 PCS
D	1 PC	4	M3.5 x 16mm		8 PCS
E	2 PCS	5	M5		1 PC
F	3 PCS	6	M4 x 20mm		2 PCS
G	34 PCS				
H	4 PCS				




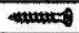

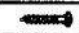




A	1 PC	1	M8 x 30mm		8 PCS
B	1 PC	2			34 PCS
C	2 PCS	3			17 PCS
D	1 PC	4	M3.5 x 16mm		8 PCS
E	2 PCS	5	M5		1 PC
F	3 PCS	6	M4 x 20mm		2 PCS
G	34 PCS				
H	4 PCS				





A	1 PC	1	M8 x 30mm		8 PCS
B	1 PC	2			34 PCS
C	2 PCS	3			17 PCS
D	1 PC	4	M3.5 x 16mm		8 PCS
E	2 PCS	5	M5		1 PC
F	3 PCS	6	M4 x 20mm		2 PCS
G	34 PCS				
H	4 PCS				

