

# TABLO R5

**D**



ST4X25mm  
2pcs

**E**




ST4X14mm  
2pcs

**F**

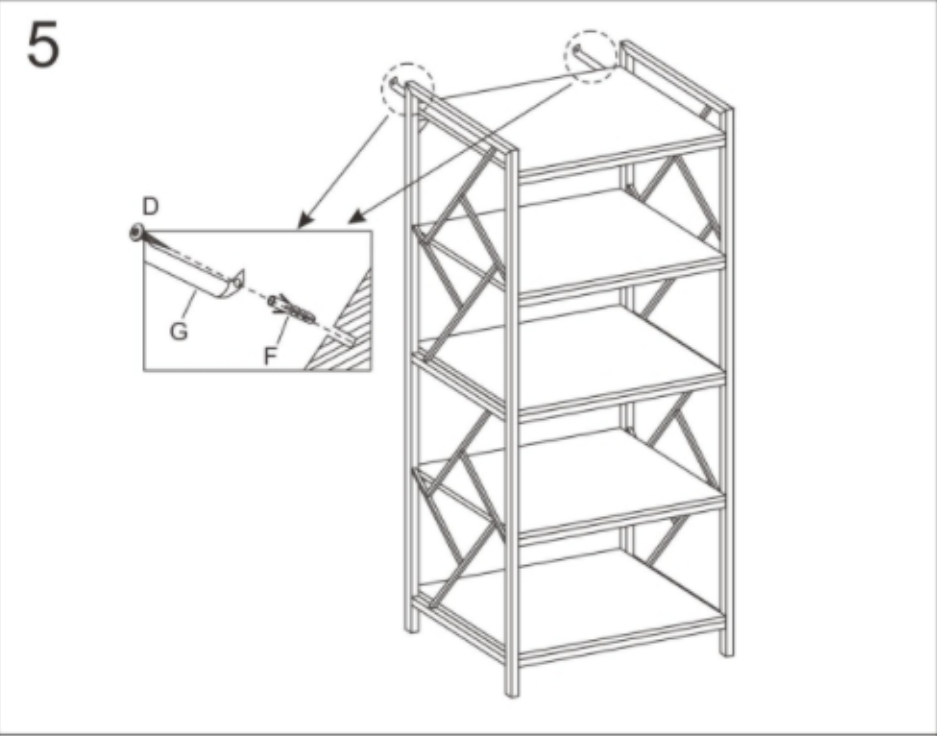


2pcs

**G**



2pcs



# TABLO R5

A



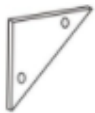
M6X30mm  
40pcs

B



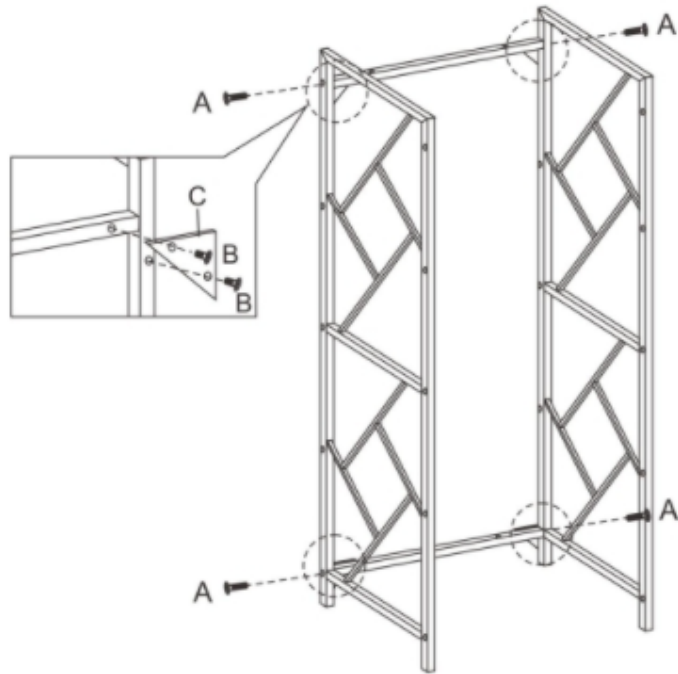
M6X12mm  
8pcs

C

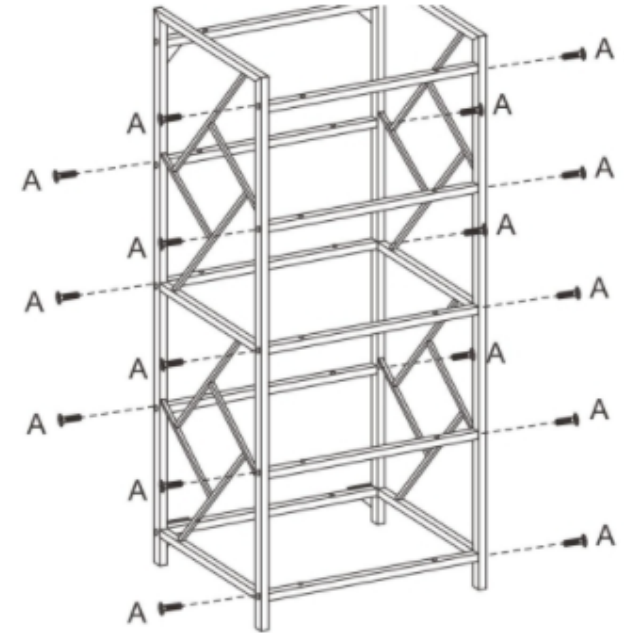


4pcs

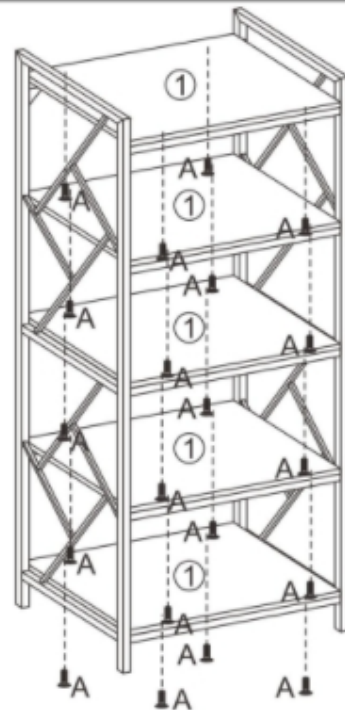
1



2



3



4

