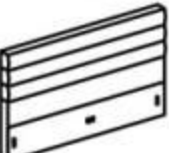










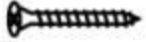



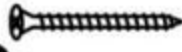
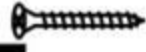


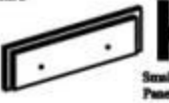




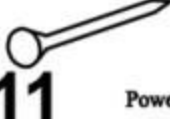
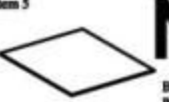

















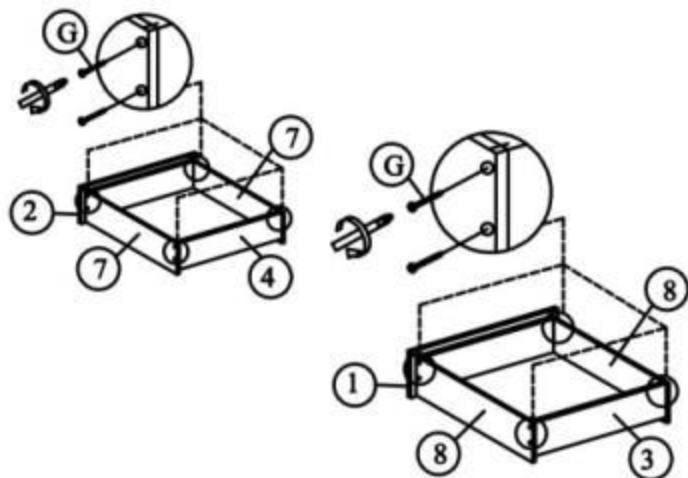
# KAYLEON

Item AA <b>A</b>  Headboard 1 pc	Item AB <b>B</b>  Footboard 1 pc	Item AC Item AC 1 <b>C/C1</b>  Side Rail 1 + 1 pcs	Item A <b>Z</b>  Plastic Dowel ( 8 x 25 ) 31 pcs	Item B <b>Z1</b>  JCBC W M6 x 40 17 pcs	Item C <b>Z2</b>  JCBC M6 x 40 2 pcs	
Item AD <b>D</b>  Slat 1 pc	Item AE <b>E</b>  Center Rail 1 pc	Item AF <b>F</b>  Support leg 2 pcs	Item D <b>Z3</b>  JCBC M6 x 60 2 pcs	Item E <b>Z4</b>  CSK M3.5 x 16 mm 52 pcs	Item F <b>Z5</b>  CSK M4 x 32 mm 46 pcs	
Item AG <b>G</b>  Drawer Slide 500 8 pcs	Item AH <b>H</b>  Drawer Slide 500 8 pcs	Item AI <b>I</b>  4 pcs	Item G <b>Z6</b>  CSK M4 x 50mm 40 pcs	Item H <b>Z7</b>  CSK M4 x 25 mm 1 pc	Item I <b>Z8</b>  Mini Fix Bolt 10 pcs	
Item 1 <b>J</b>  Big Drawer Front Panel 2 pcs	Item 2 <b>K</b>  Small Drawer Front Panel 2 pcs	Item 3 <b>L</b>  Big Drawer Back Panel 2 pcs	Item 4 <b>M</b>  Small Drawer Back Panel 2 pcs	Item J <b>Z9</b>  Mini Fix Housing 10 pcs	Item K <b>Z10</b>  Mini Fix Cap 10 pcs	Item L <b>Z11</b>  Power Nail 5/8 52 pcs
Item 5 <b>N</b>  Big Drawer Bottom Panel 2 pcs	Item 6 <b>O</b>  Small Drawer Bottom Panel 2 pcs	Item 7 <b>P</b>  Small Drawer Side Panel 4 pcs	Item 8 <b>Q</b>  Big Drawer Side Panel 4 pcs	Item M <b>Z12</b>  White Nail Leg 16 pcs	Item Q <b>Z13</b>  JCBC M6 x 30 8 pcs	Item O <b>Z14</b>  M6 Flat Washer 10 pcs
Item 9 <b>R</b>  8 pcs	Item 10 <b>S</b>  1 pc	Item 11 <b>T</b>  1 pc	Item 12 <b>U</b>  2 pcs	Item P <b>Z15</b>  Adjuster 2 pcs		
Item 13 <b>V</b>  2 pcs	Item 14 <b>W</b>  1 pc	Item 15 <b>X</b>  1 pc	Item 16 <b>Y</b>  1 pc			

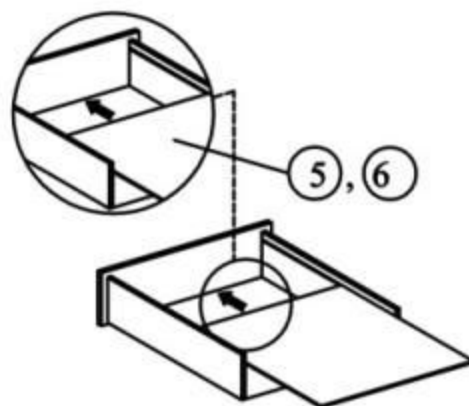
v.2

# KAYLEON

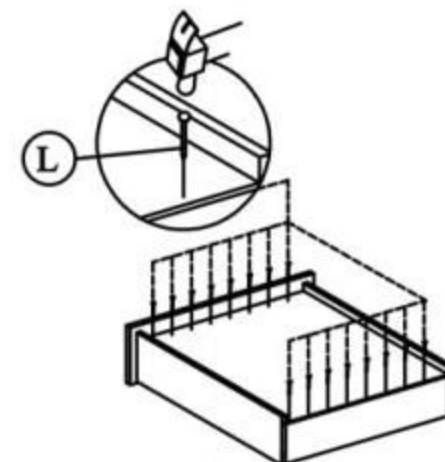
1



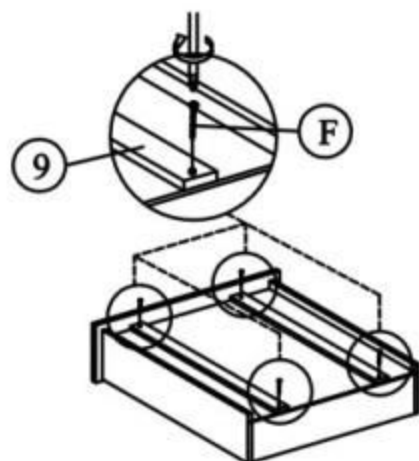
2



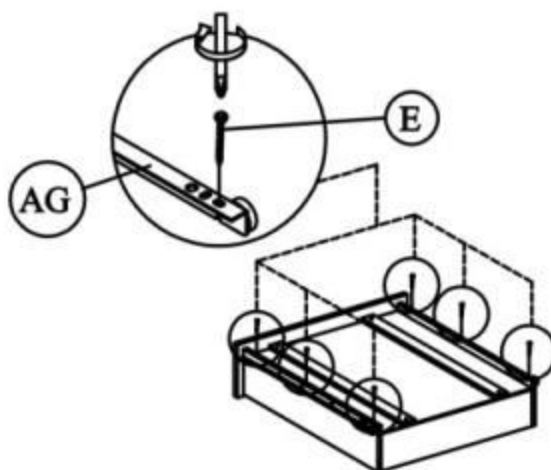
3



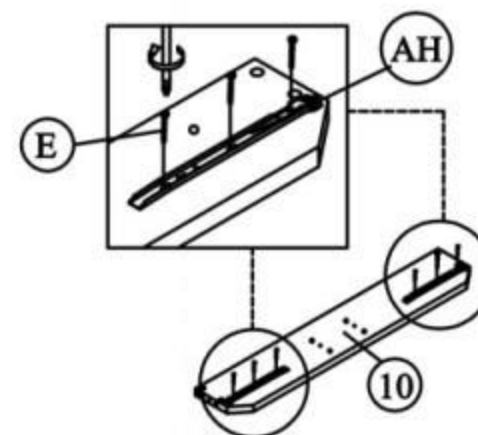
4



5



6



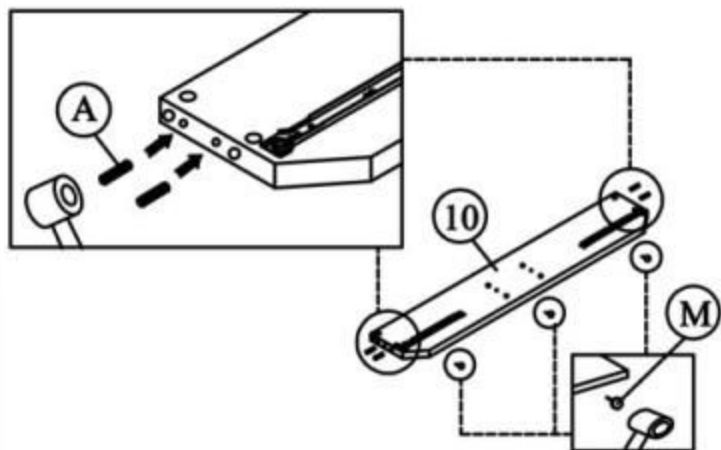
HALMAR Sp. z o.o.

ul. Centralnego Okręgu Przemysłowego 2, 37-450 Stalowa Wola, POLSKA / POLAND  
tel. +48 15 843 28 10, fax: +48 15 842 19 57, e-mail: office@halmar.com.pl

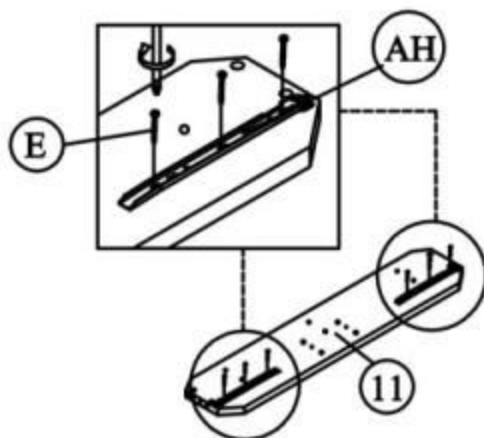
2/7

NOWOŚĆ

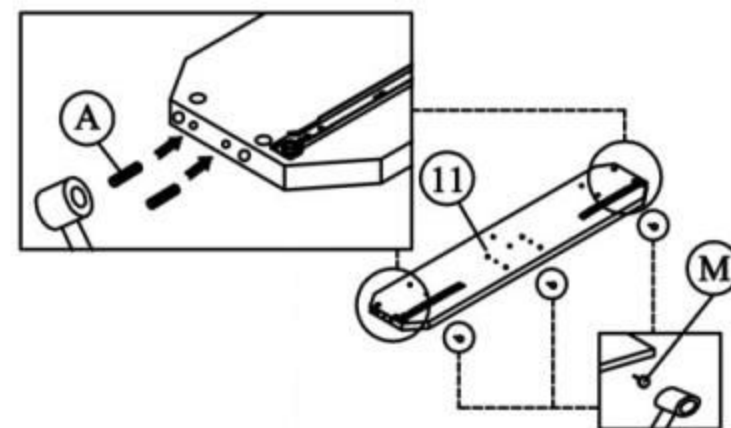
7



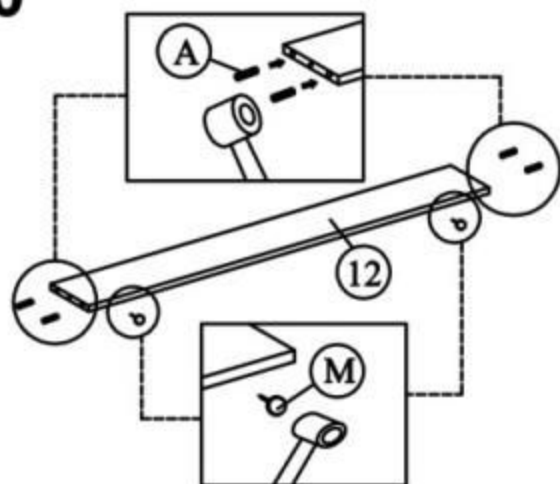
8



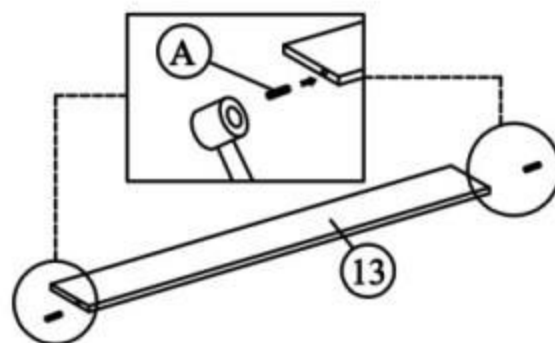
9



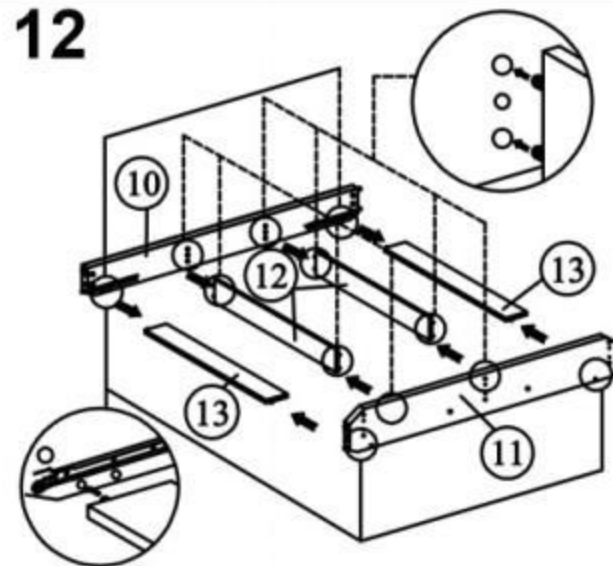
10



11

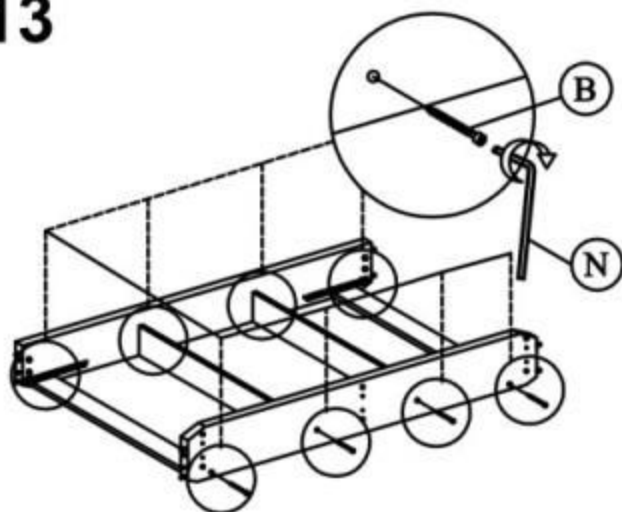


12

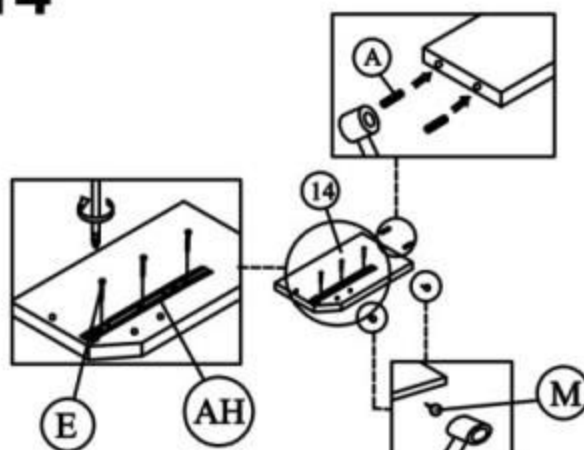




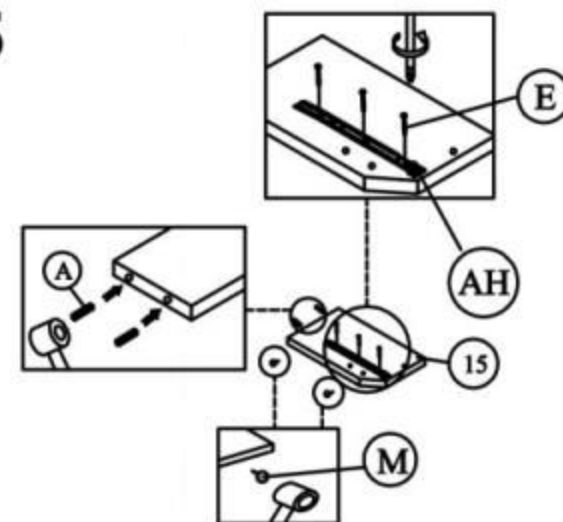
## 13



## 14

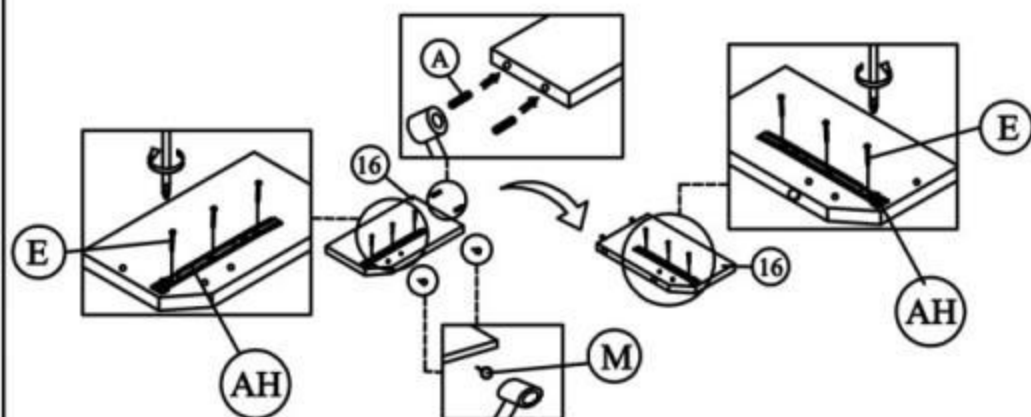


## 15

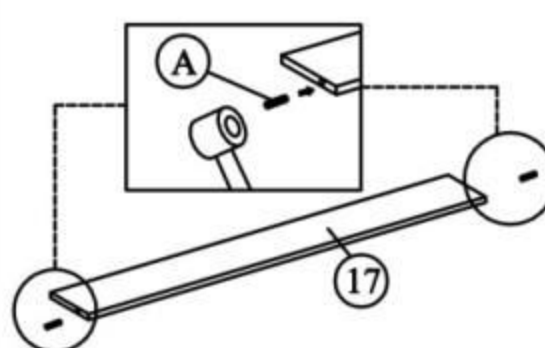


## 16

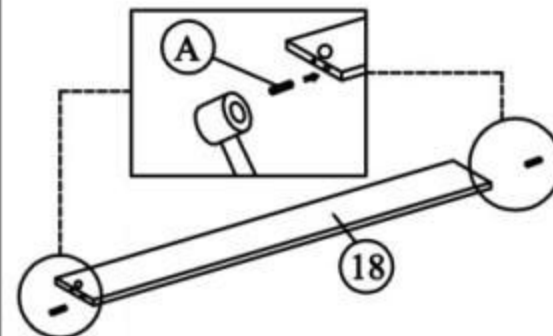
Attach (AH) to (16) and tighten it with (D), the flip (AH) to the other side and repeat the same step.

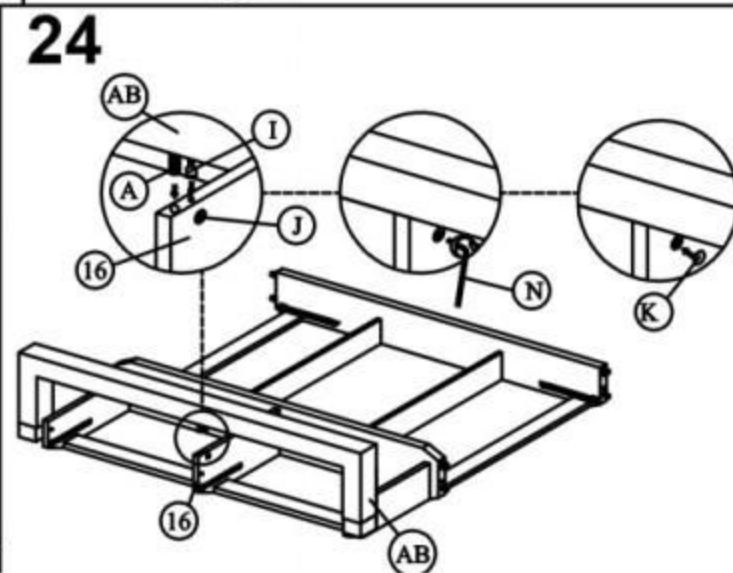
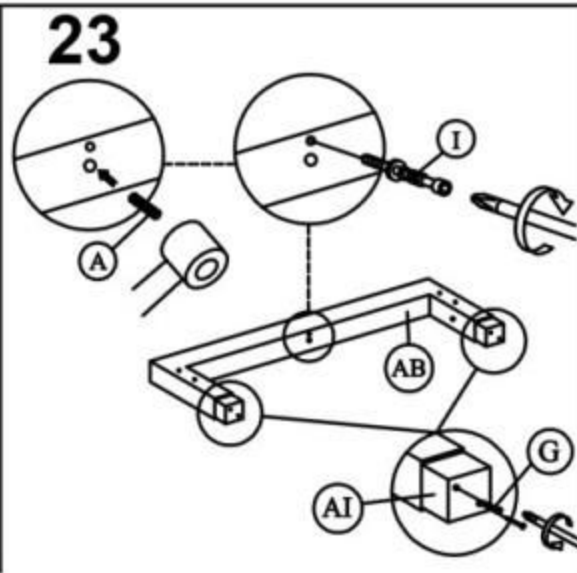
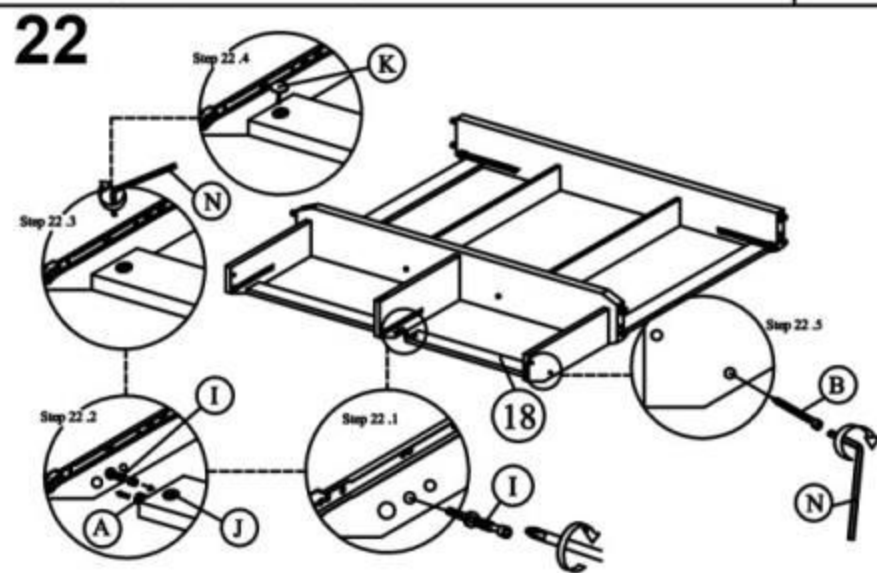
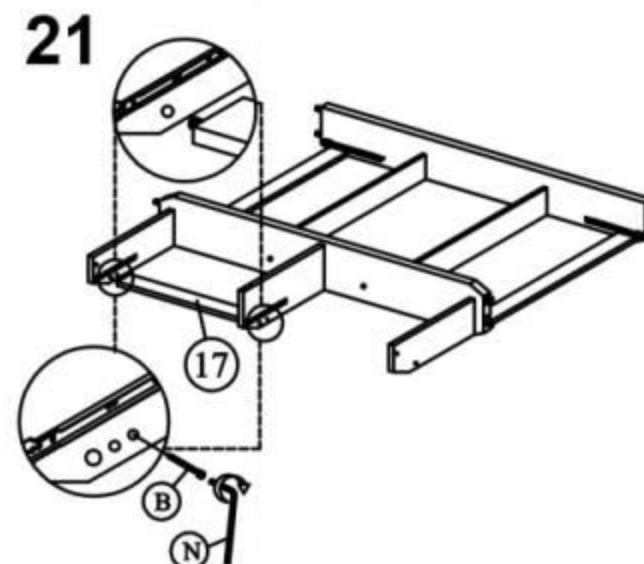
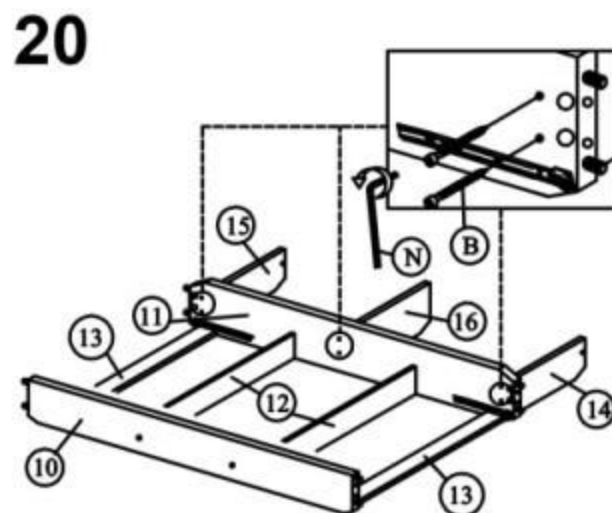
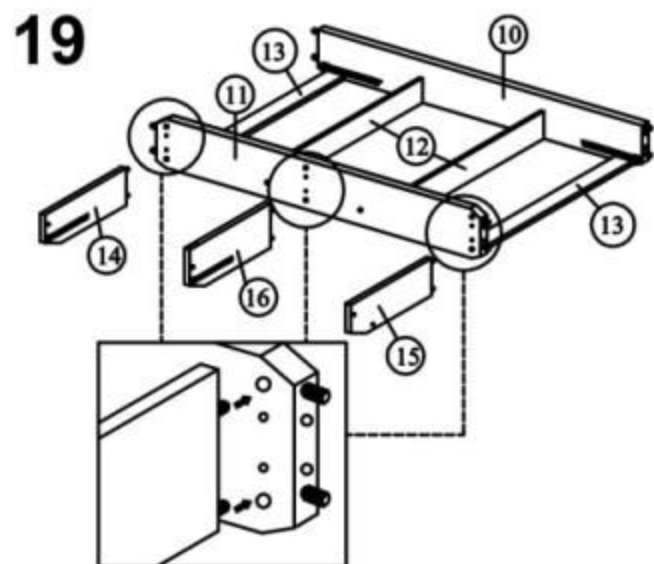


## 17

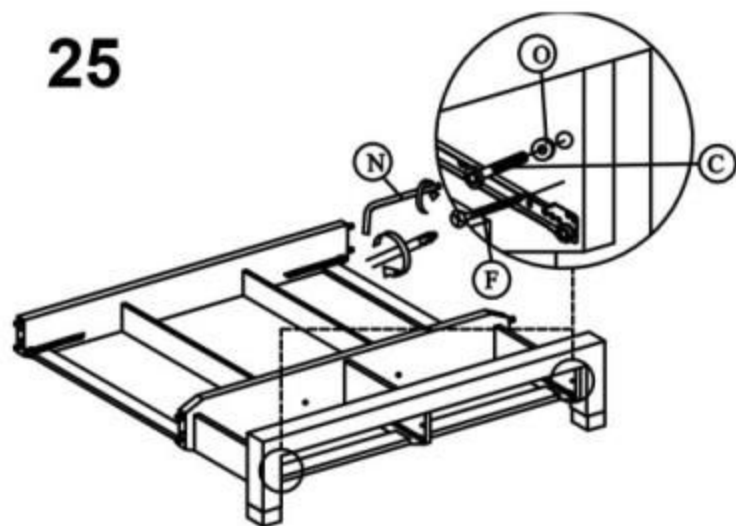


## 18

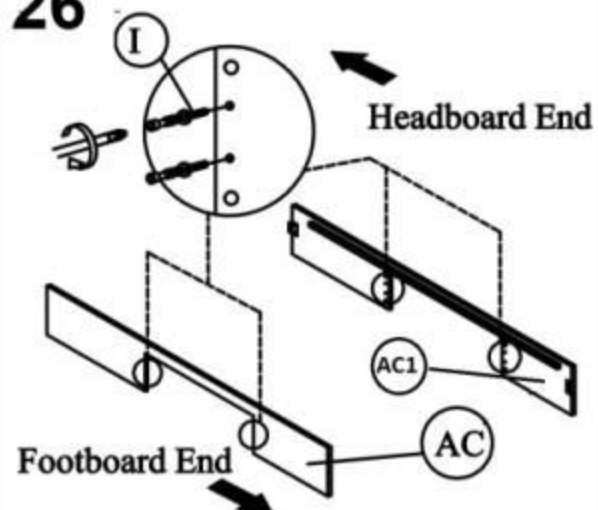




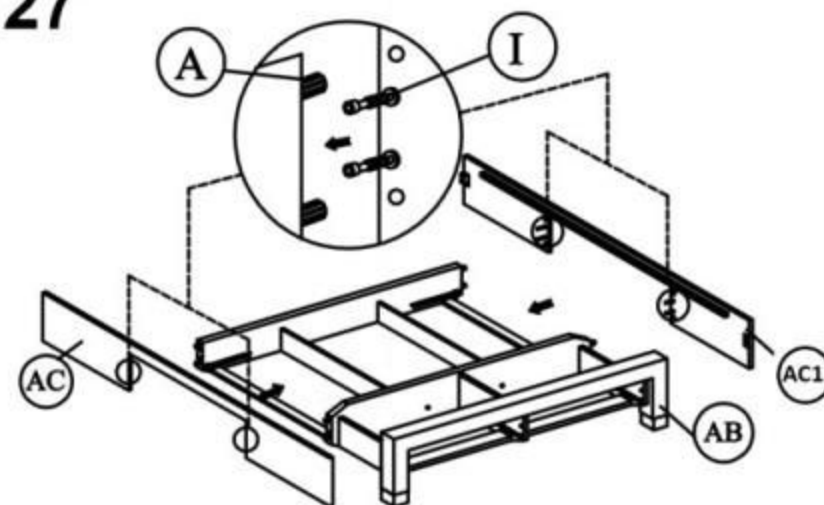
25



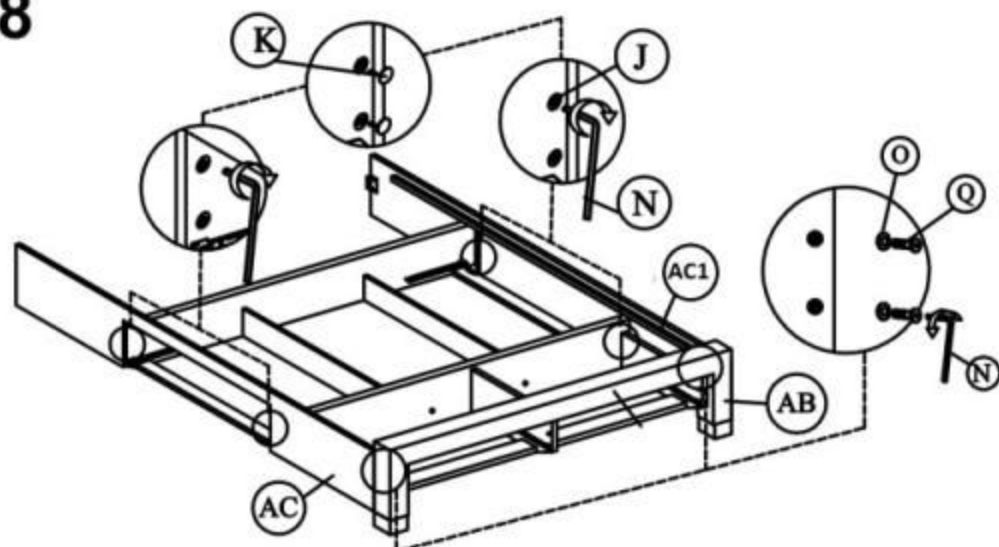
26



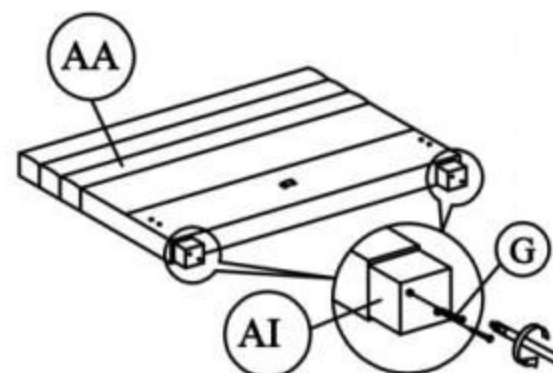
27



28



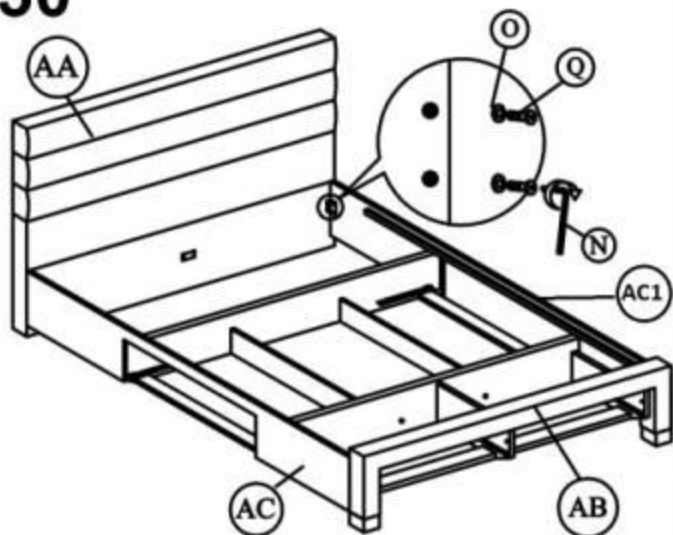
29



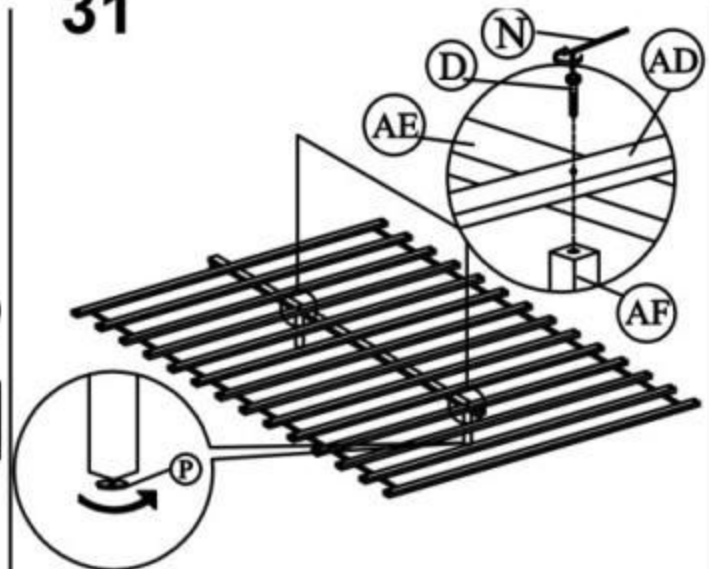


# KAYLEON

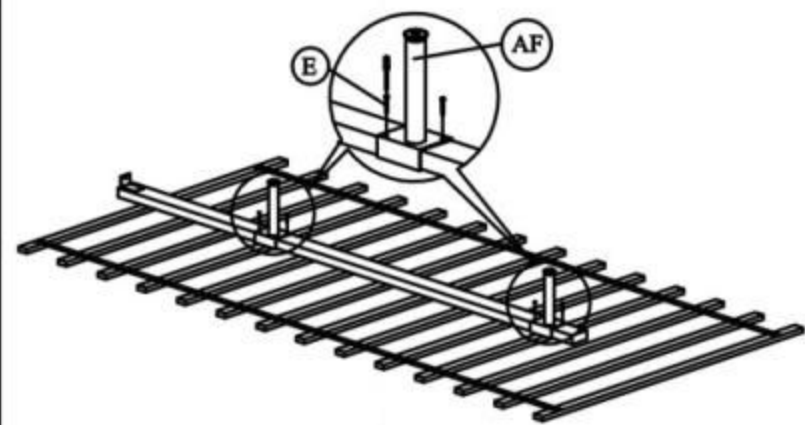
30



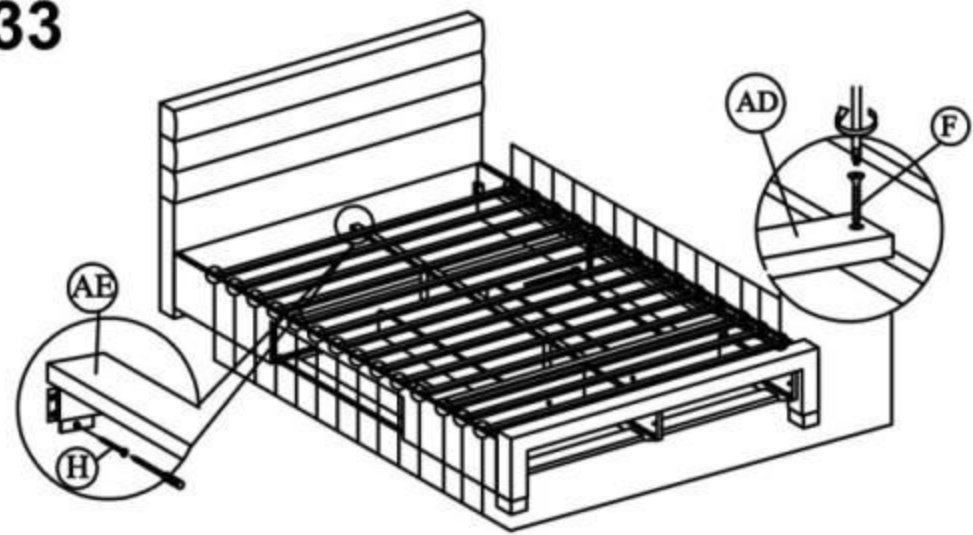
31



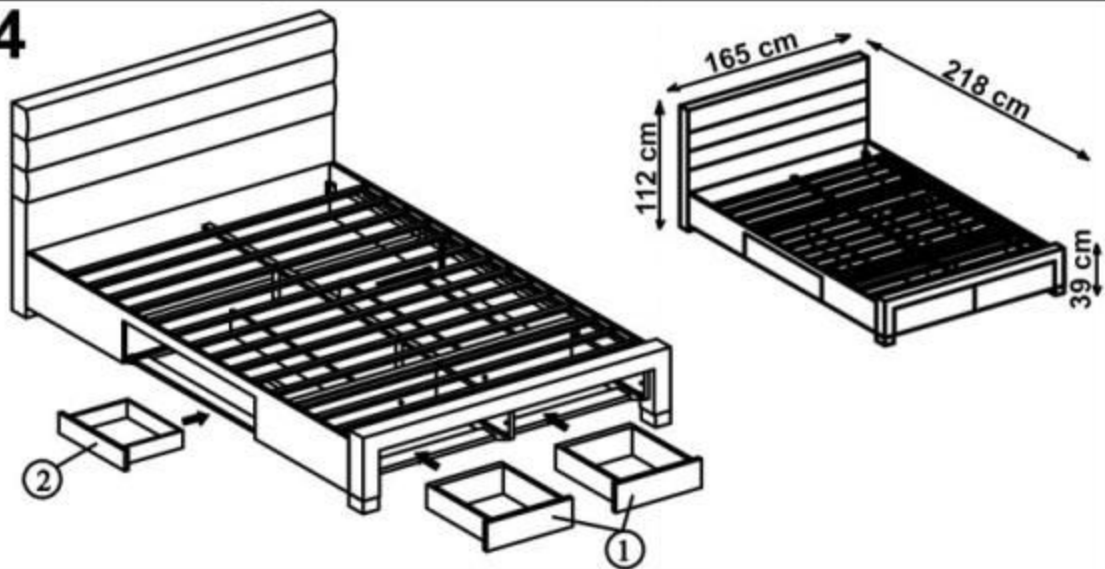
32



33



34



HALMAR Sp. z o.o.

ul. Centralnego Okręgu Przemysłowego 2, 37-450 Stalowa Wola, POLSKA / POLAND  
tel. +48 15 843 28 10, fax: +48 15 842 19 57, e-mail: office@halmar.com.pl

717

NOWOŚĆ