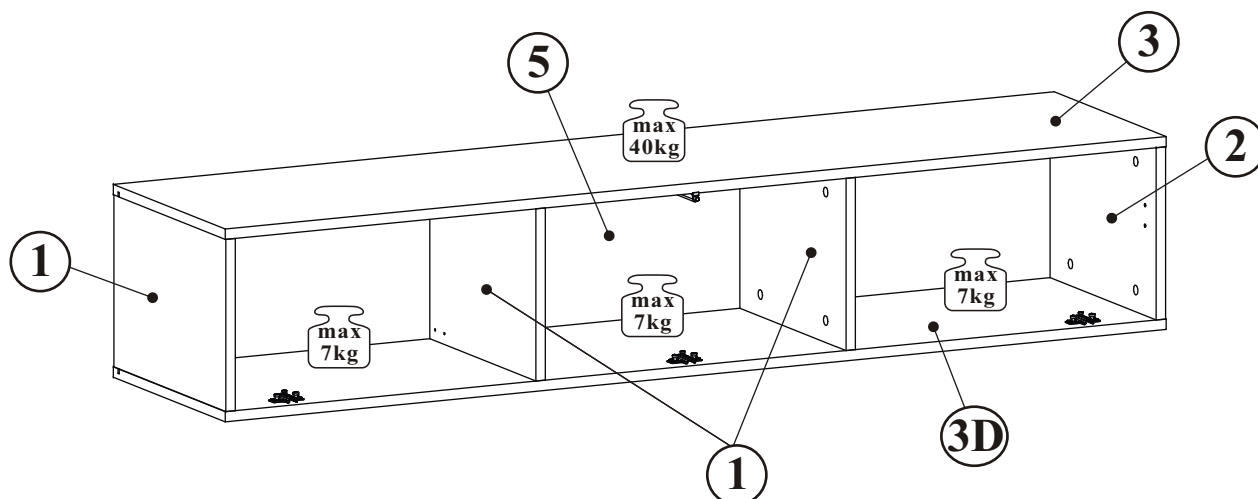
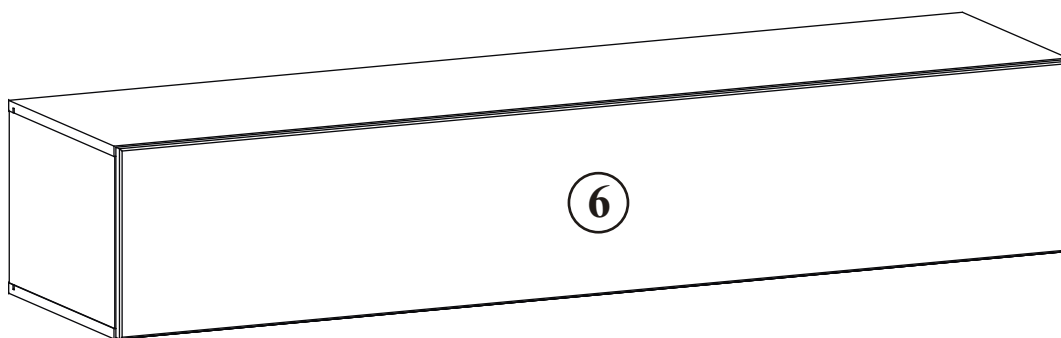
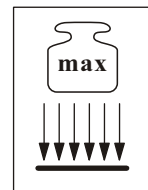
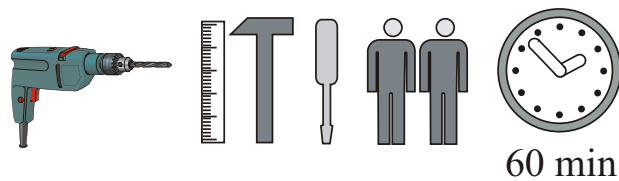


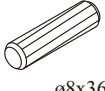
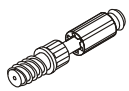


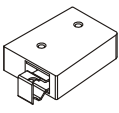

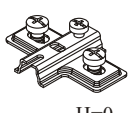
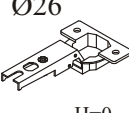

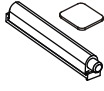


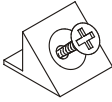
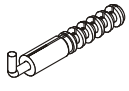

FLY 28 -- FY 30-C

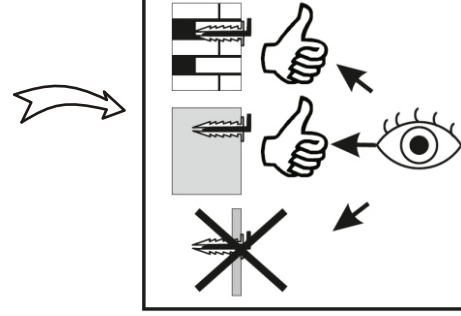
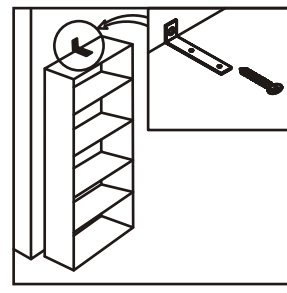
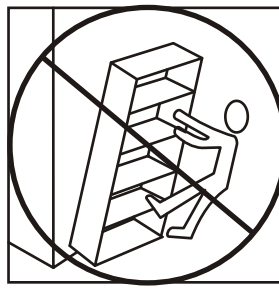
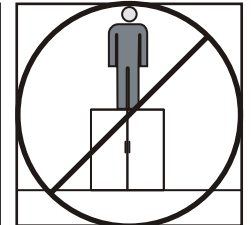
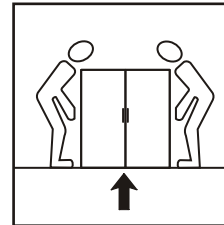
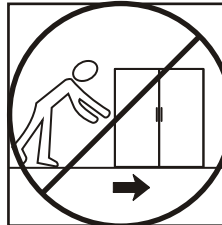
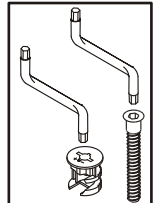
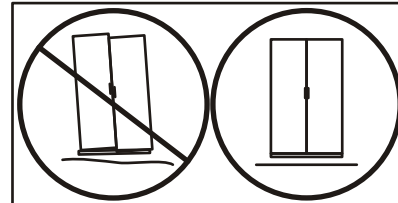
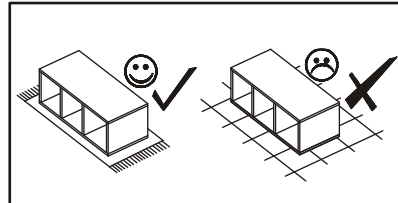
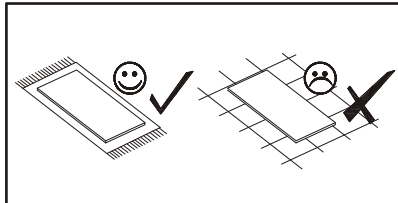
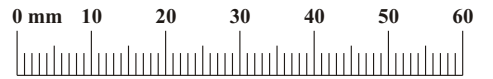


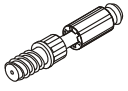
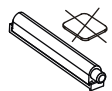
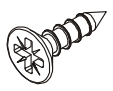
NO	Dim.		Col.-No	Qty
1	268	384	1	1
2	268	384	1	1
3	1602	384	1	1
3D	1602	384	1	1
4	268	364	1	2
5	1580	280	1	1
6	1596	296	1	1



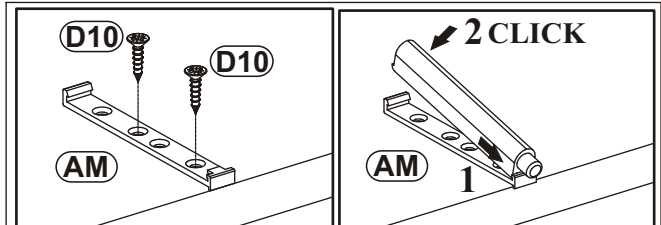
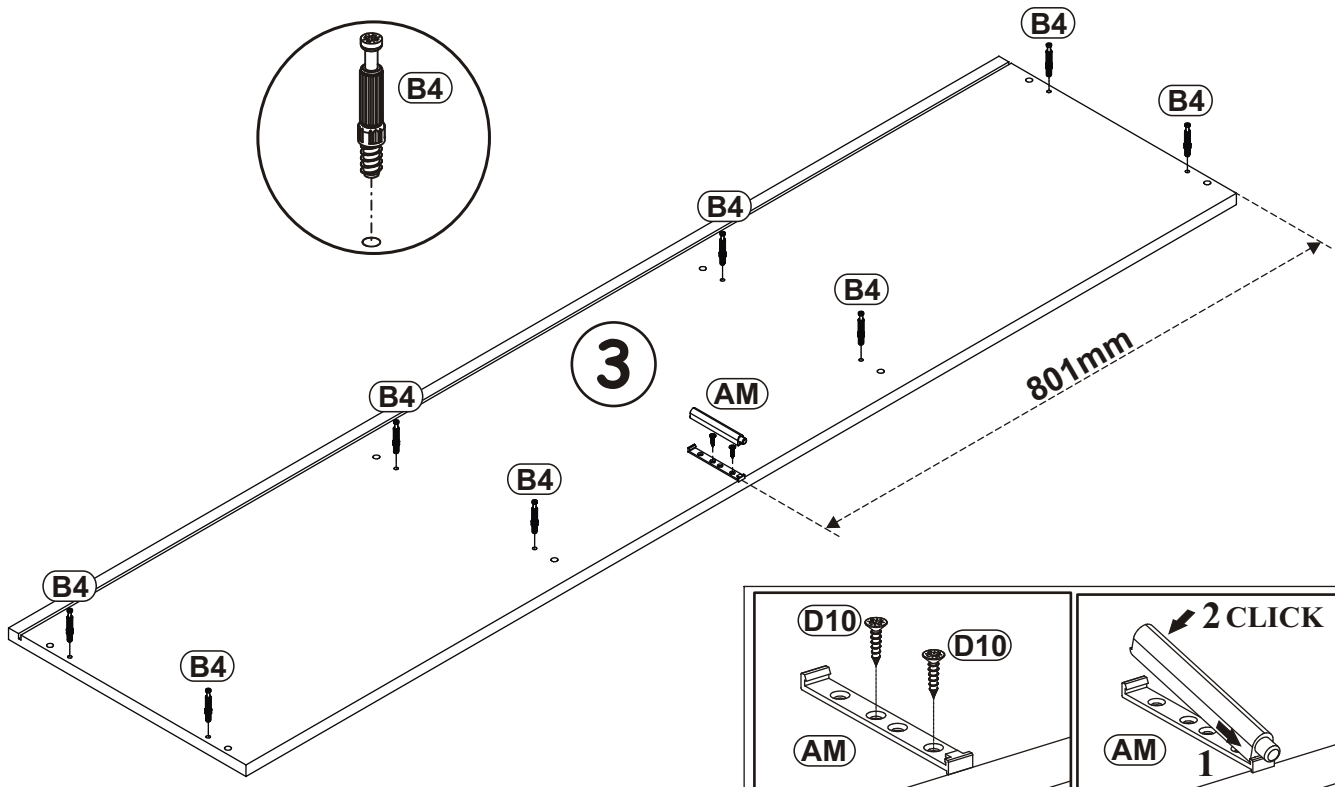
FLY 28--FY 30-C

A1 x16  ø8x36	B4 x16 	B5 x16  ø15x12	G5 x16 	ZR1 x4 	D6 x8  USØ3,5x30
E2 x3  H=0	E1 x3  Ø26 H=0	D10 x24  USØ3,5x13	AM x1 	G21 x2 	D7 x6  USØ3x16
S1 x12 	KR2 x4 	G2 x1 			

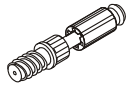
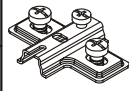


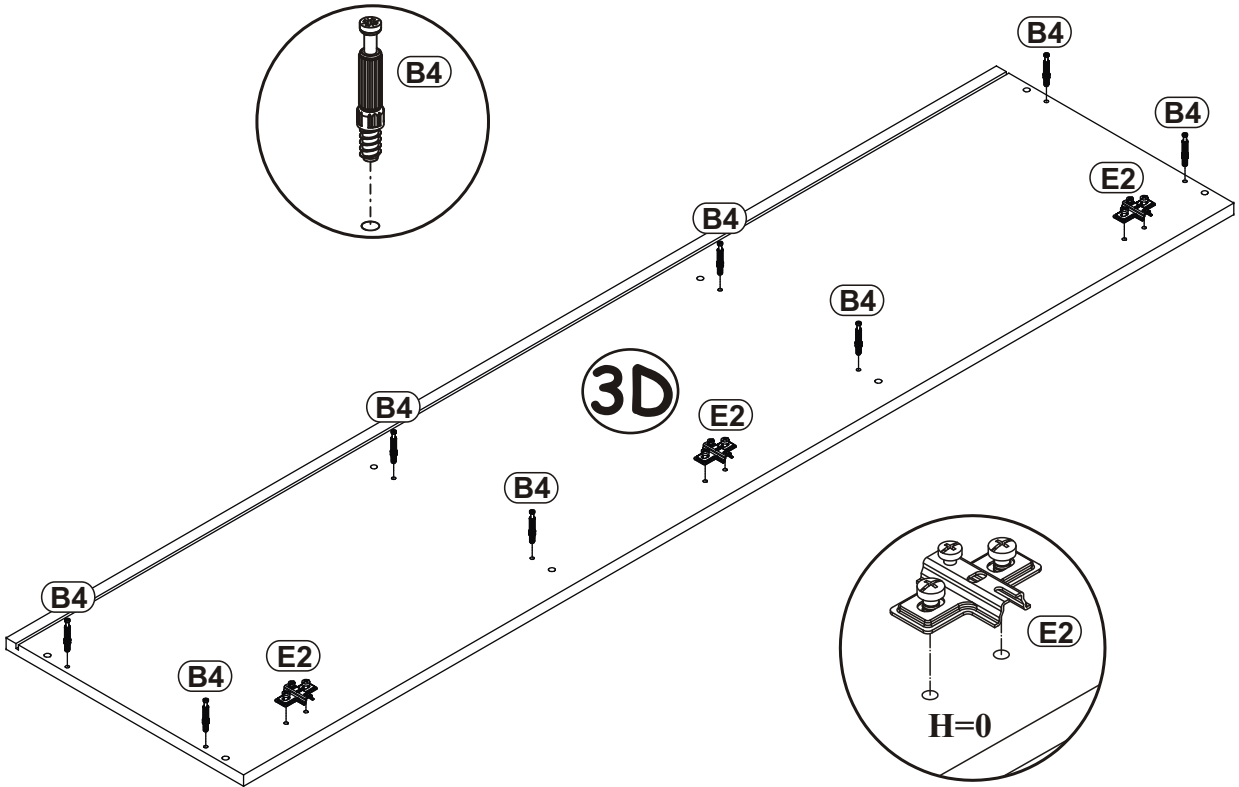
B4		AM		D10	
x8		x1		x2	US03,5x13

1

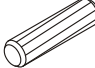



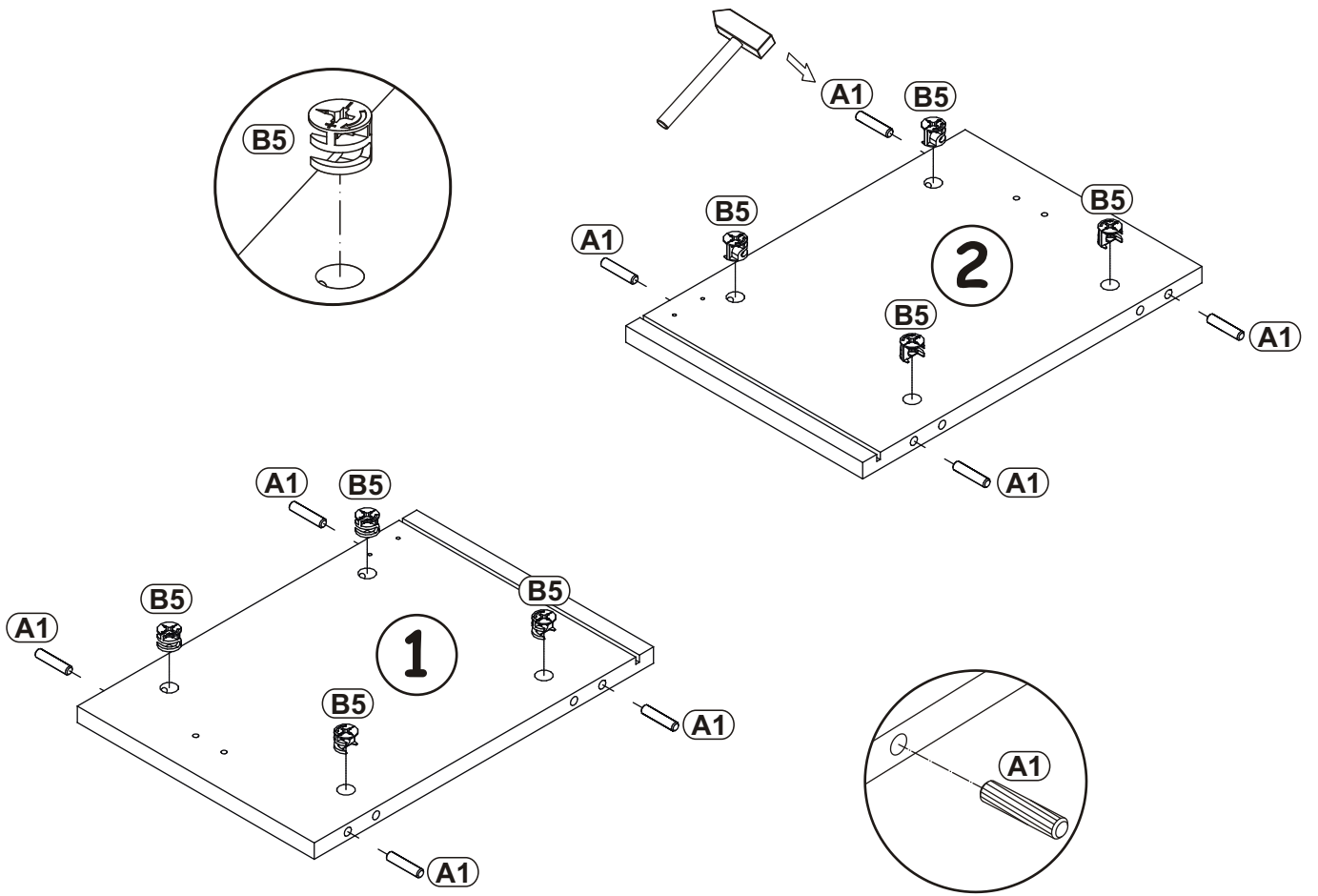
2

B4		E2	
x8		x3	H=0

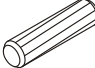



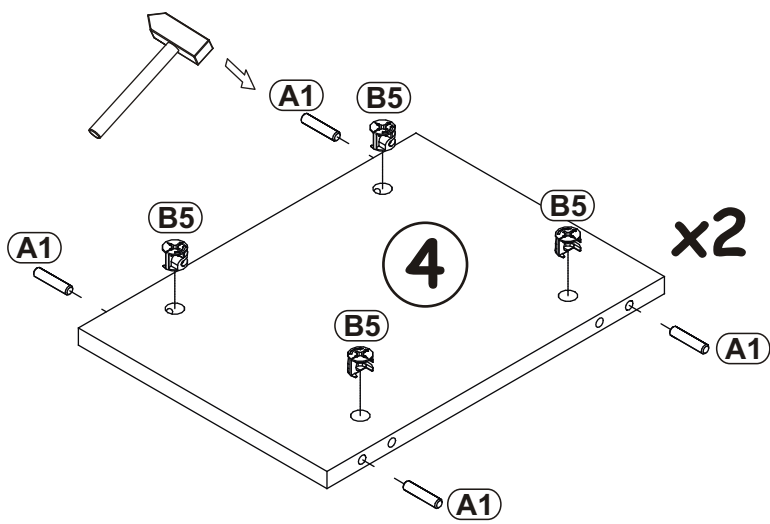
3

A1		B5	
x8		x8	

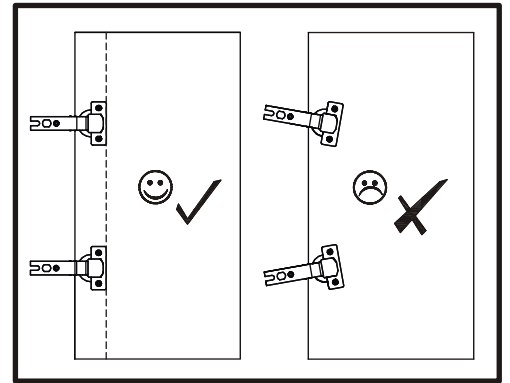
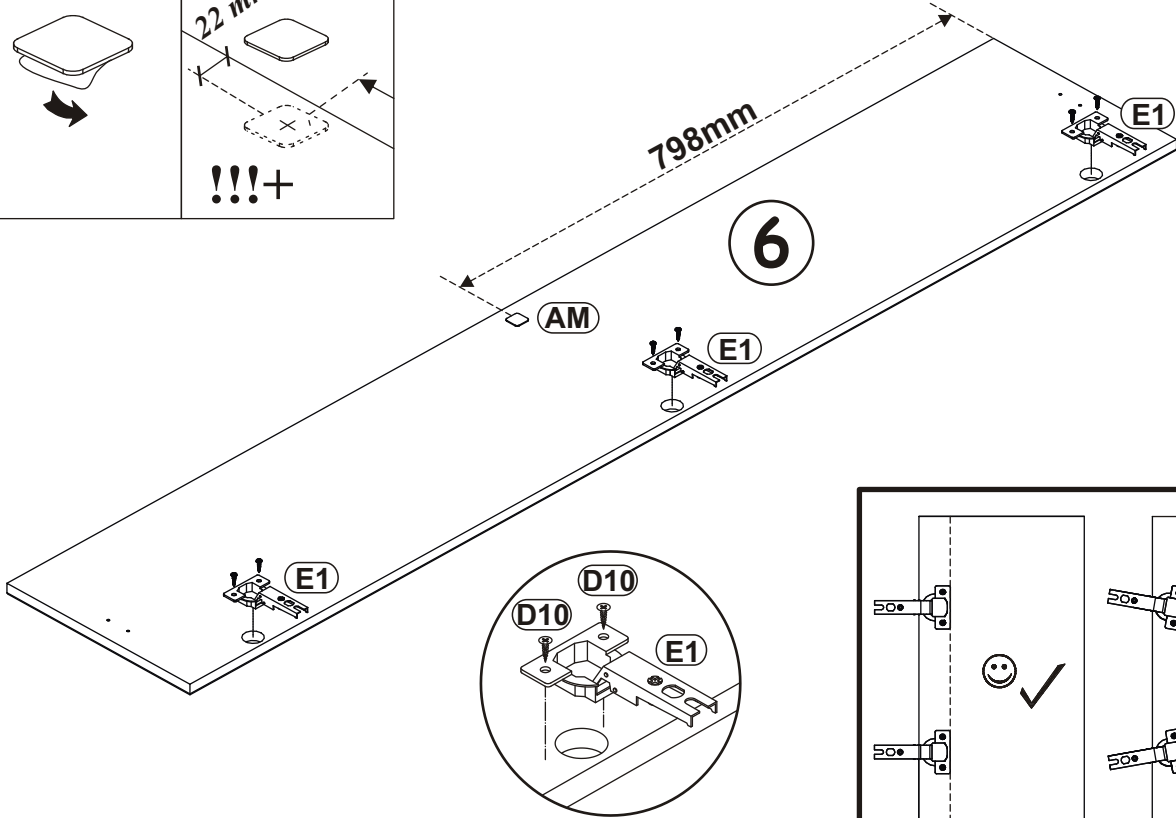
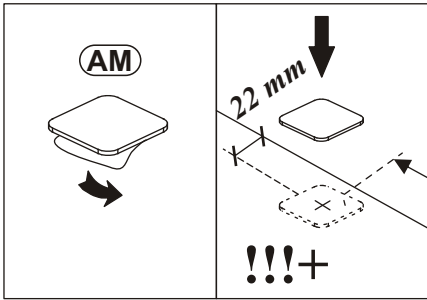
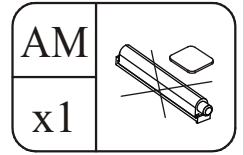
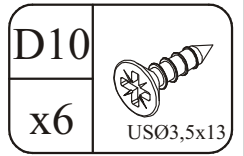
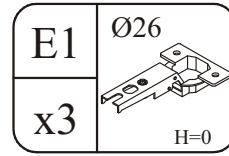
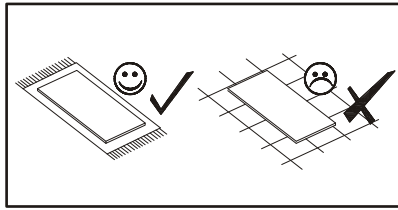


4

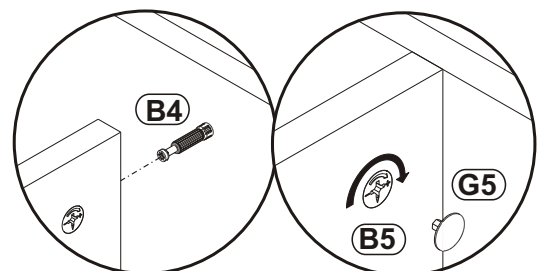
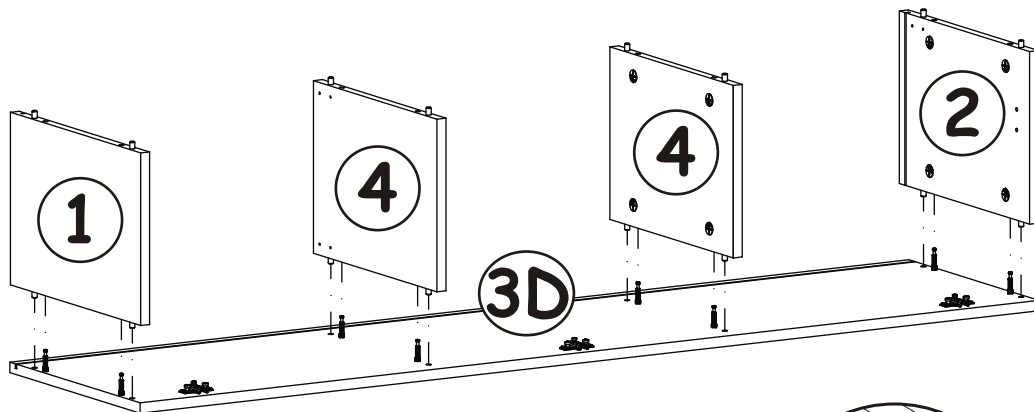
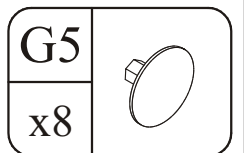
A1		B5	
x8		x8	




5

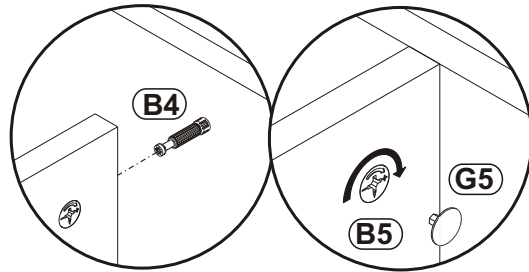
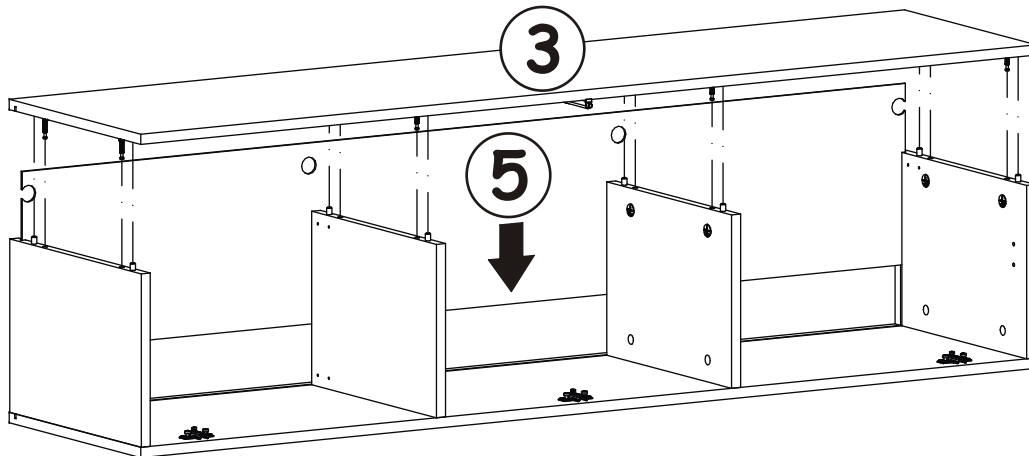


6



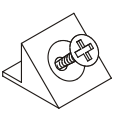
7

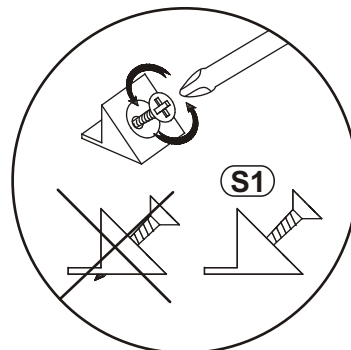
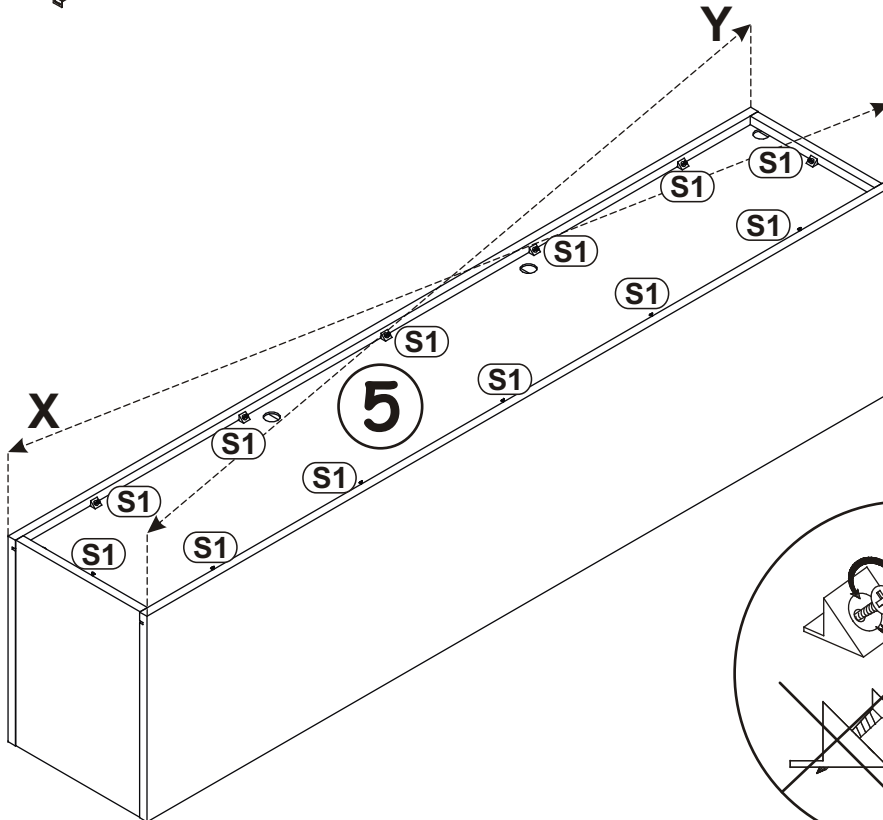
G5	
x8	



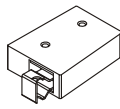

8

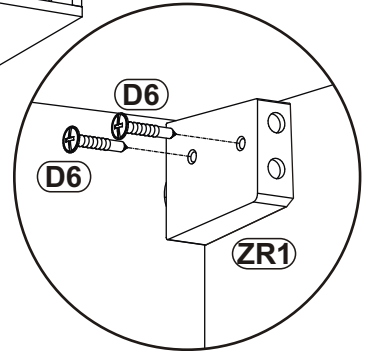
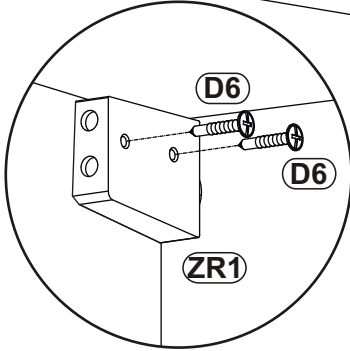
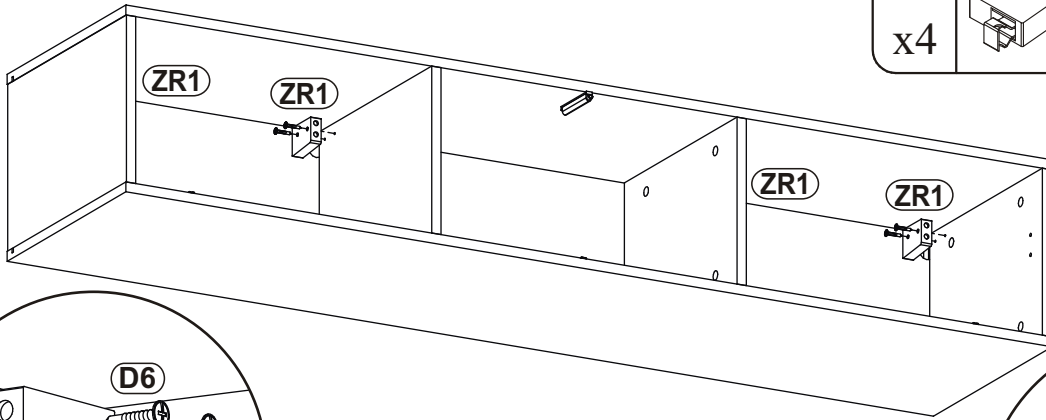


S1	
x12	

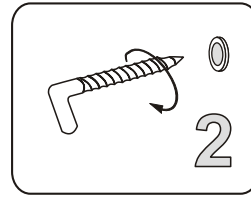
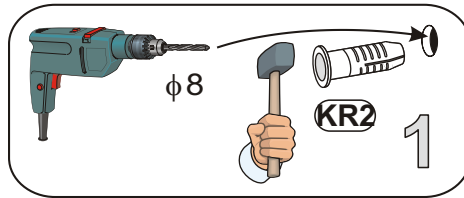
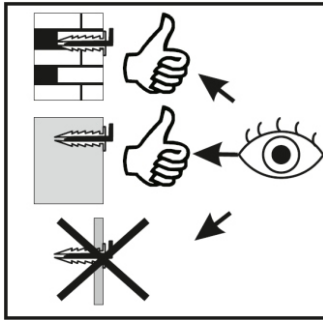


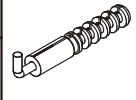
9

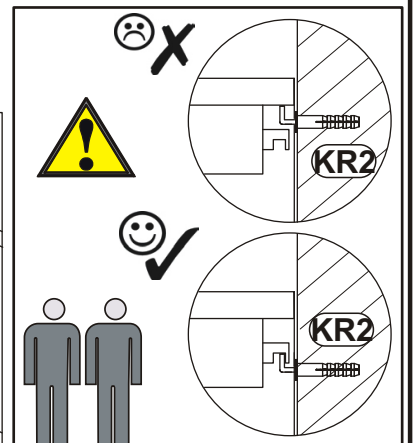
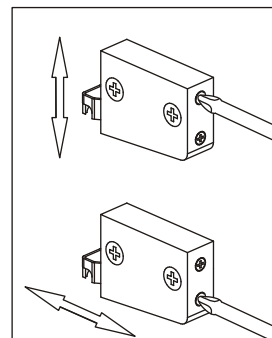
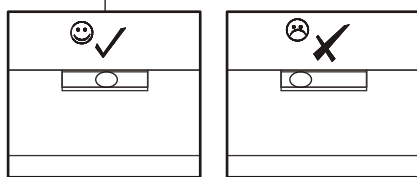
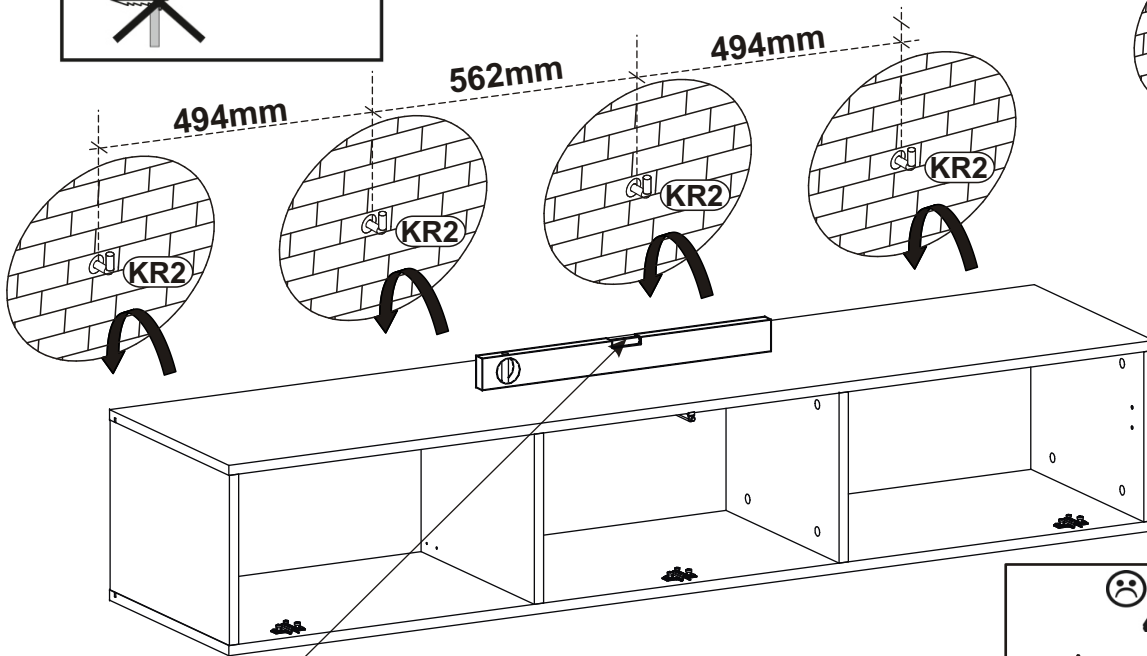
ZR1		D6	
x4		x8	USØ3,5x30



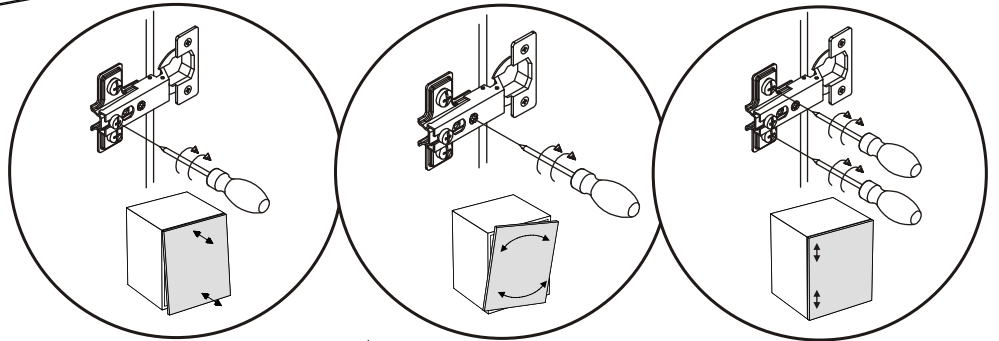
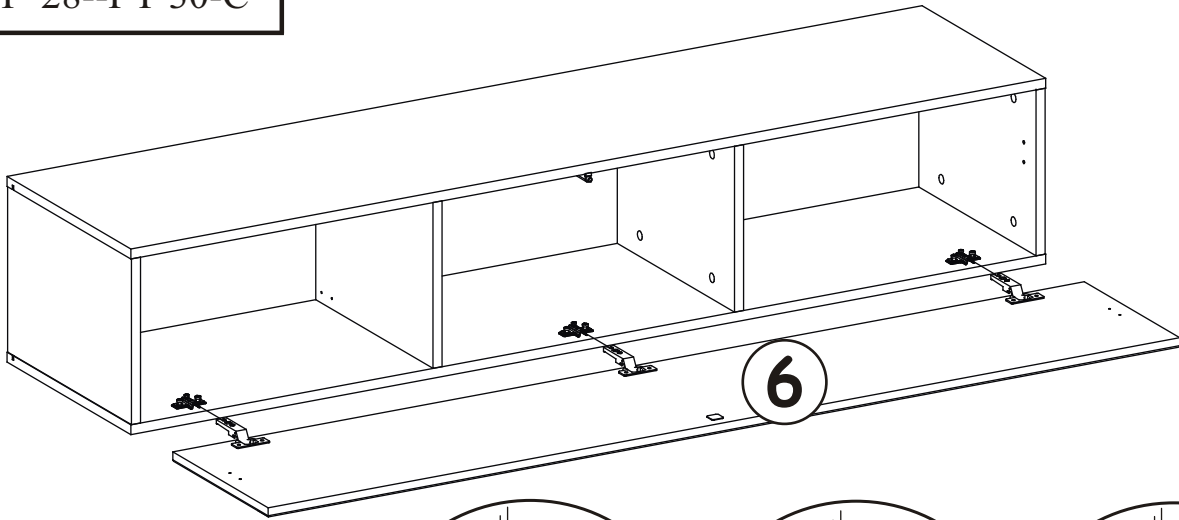
10



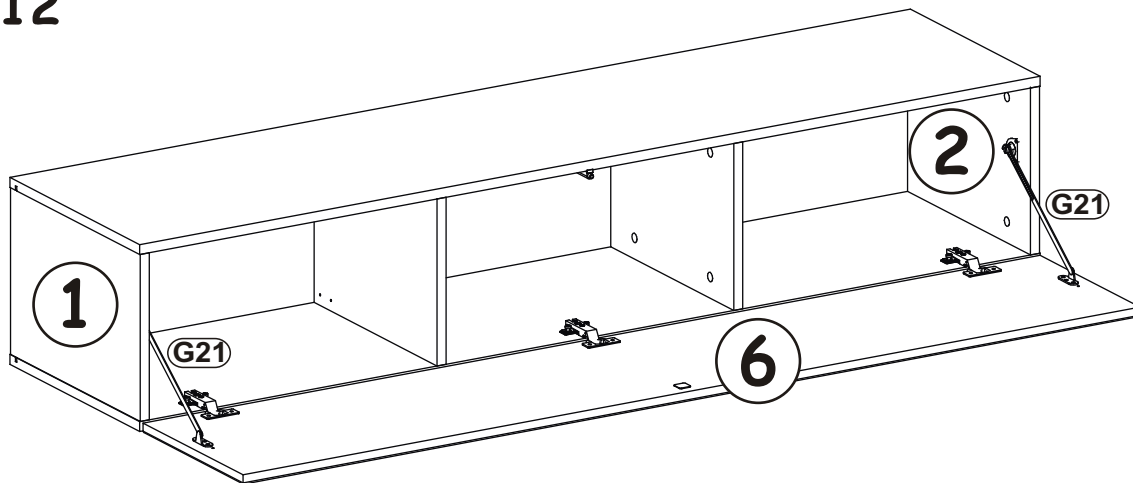
KR2	
x4	



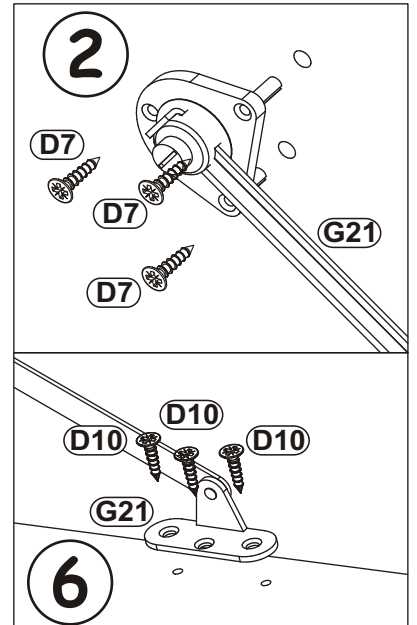
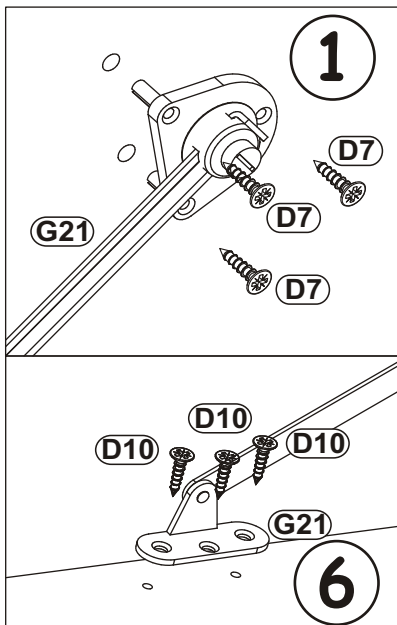
11



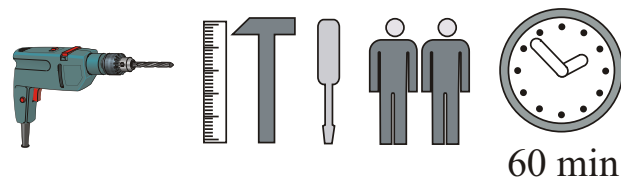
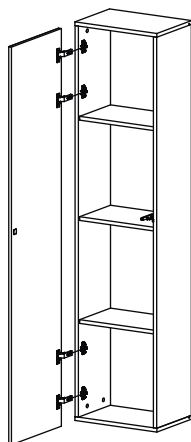
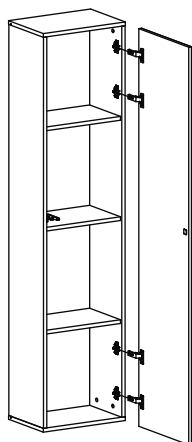
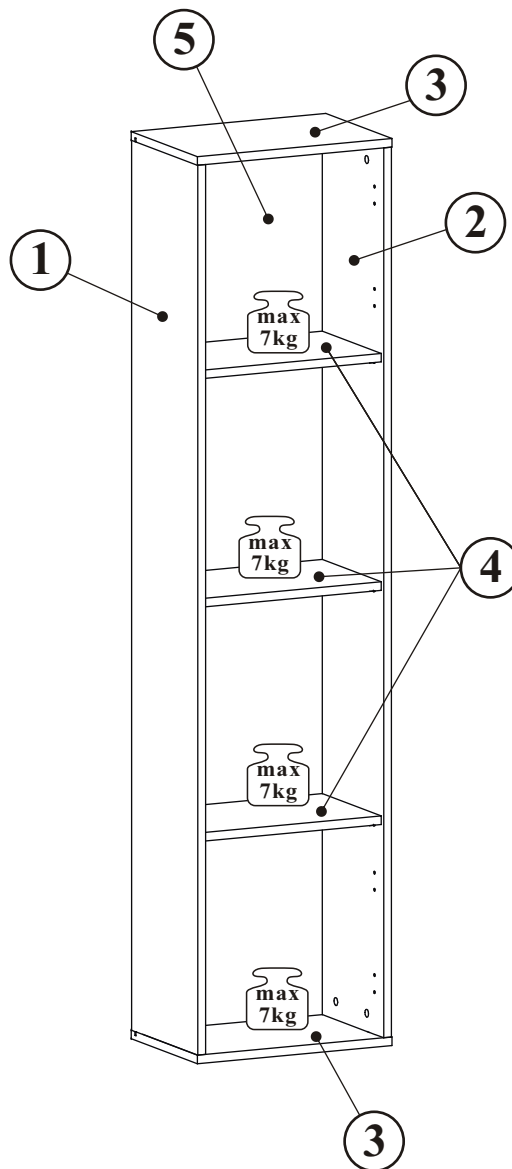
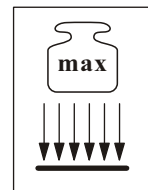
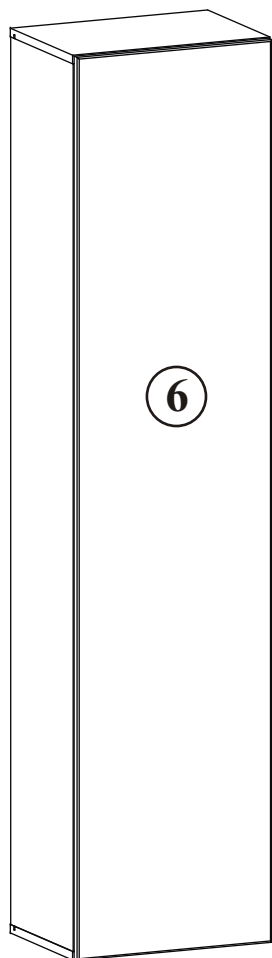
12



- | | |
|-----|-----------|
| G21 | |
| x2 | |
| D7 | |
| x6 | USØ3x16 |
| D10 | |
| x6 | USØ3,5x13 |

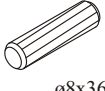
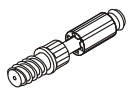


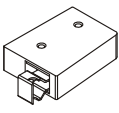

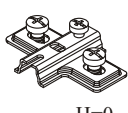
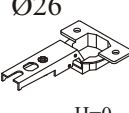

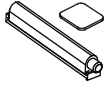
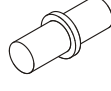

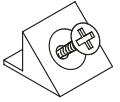
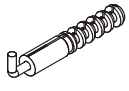



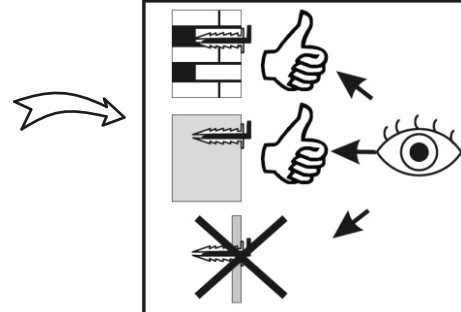
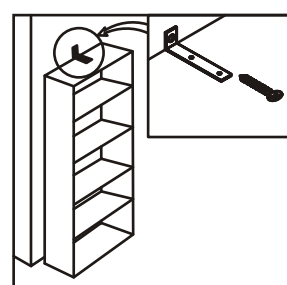
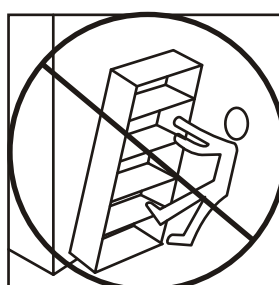
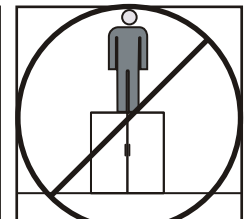
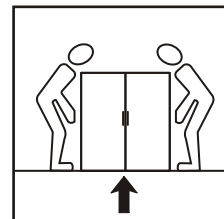
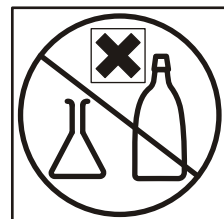
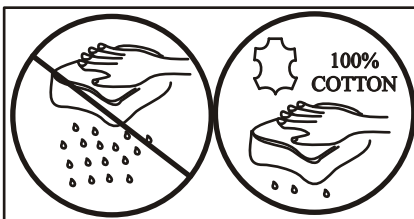
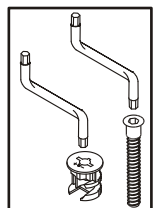
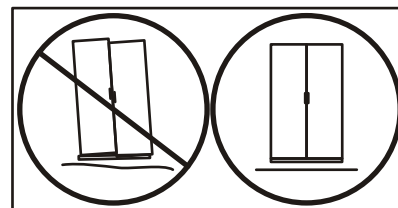
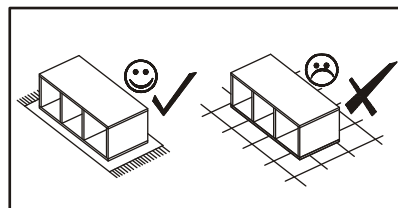
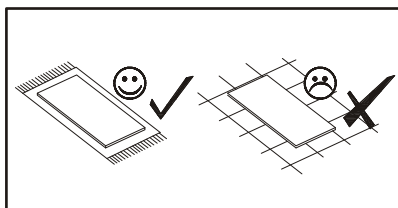
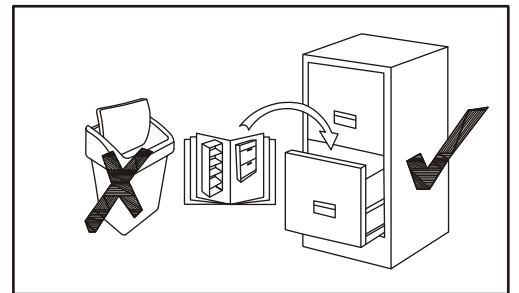
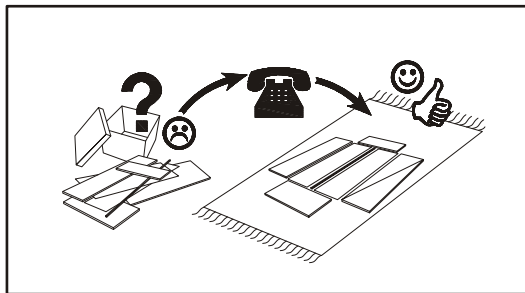
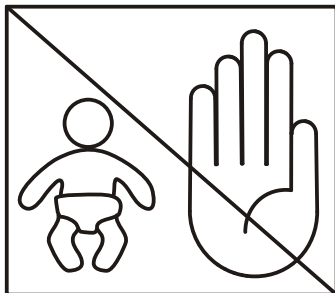
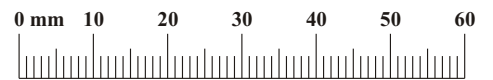
FLY 28 -- FY 40-C

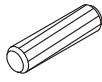
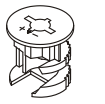
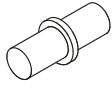


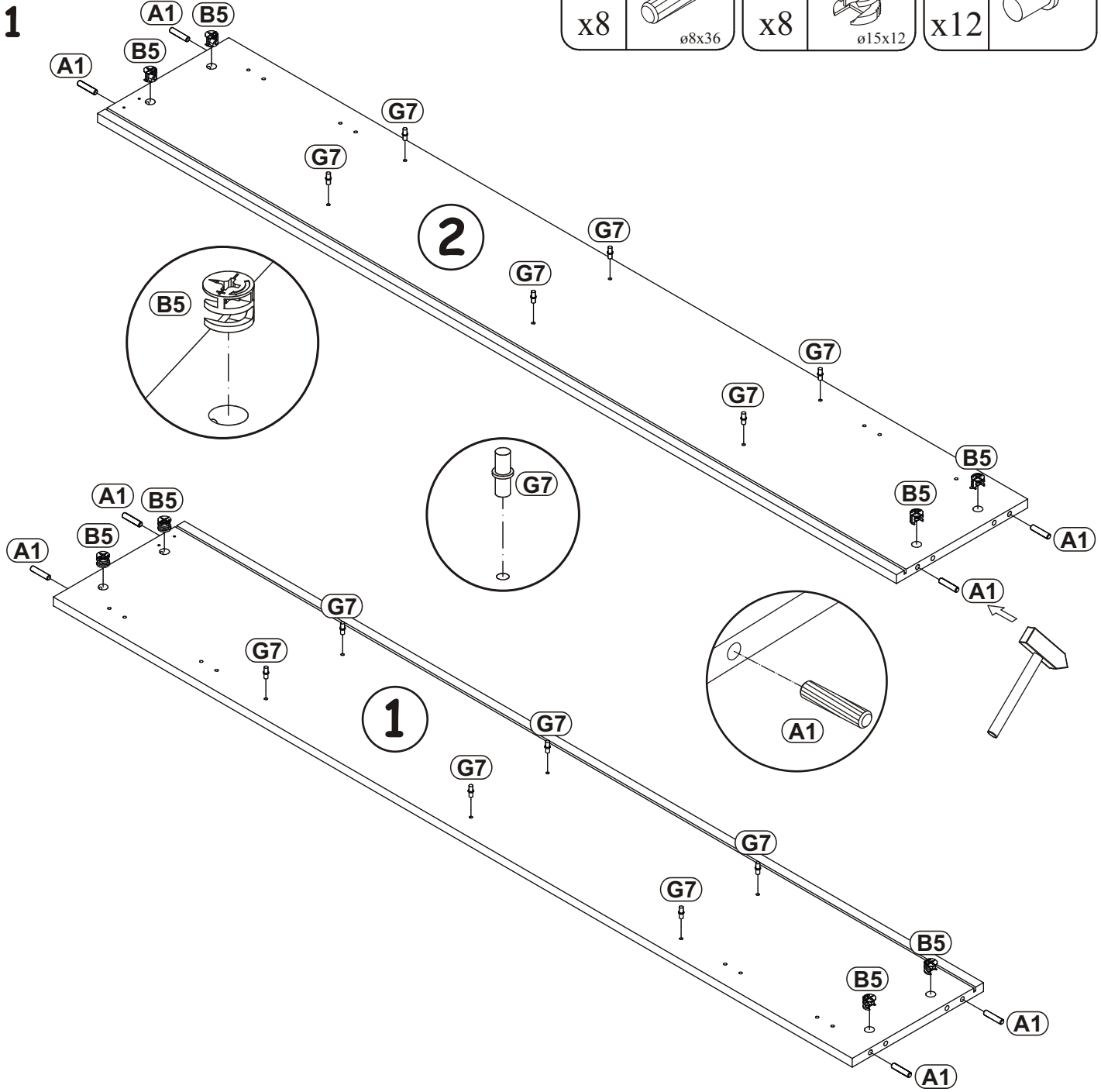
NO	Dim.		Col.-No	Qty
1	1668	274	1	1
2	1668	274	1	1
3	400	274	1	2
4	366	244	1	3
5	1680	378	1	1
6	394	1696	1	1

FLY 28--FY 40-C

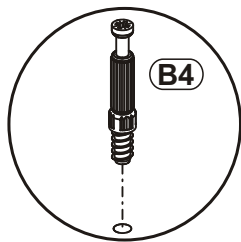
A1 x8  ø8x36	B4 x8 	B5 x8  ø15x12	G5 x8 	ZR1 x2 	D6 x4  USØ3,5x30
E2 x4  H=0	E1 x4  Ø26 H=0	D10 x10  USØ3,5x13	AM x1 	G7 x12 	Z2 x8  Ø5
S1 x12 	KR2 x2 	G2 x1 			

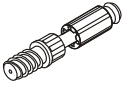


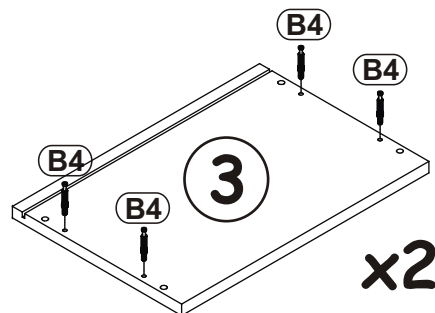
A1		B5		G7	
x8	ø8x36	x8	ø15x12	x12	



2

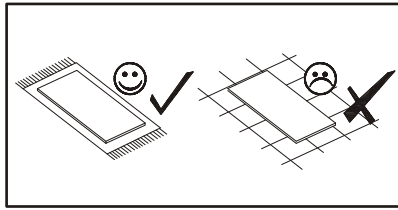


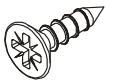
B4	
x8	

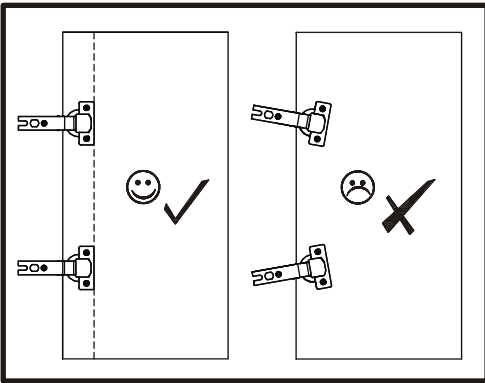
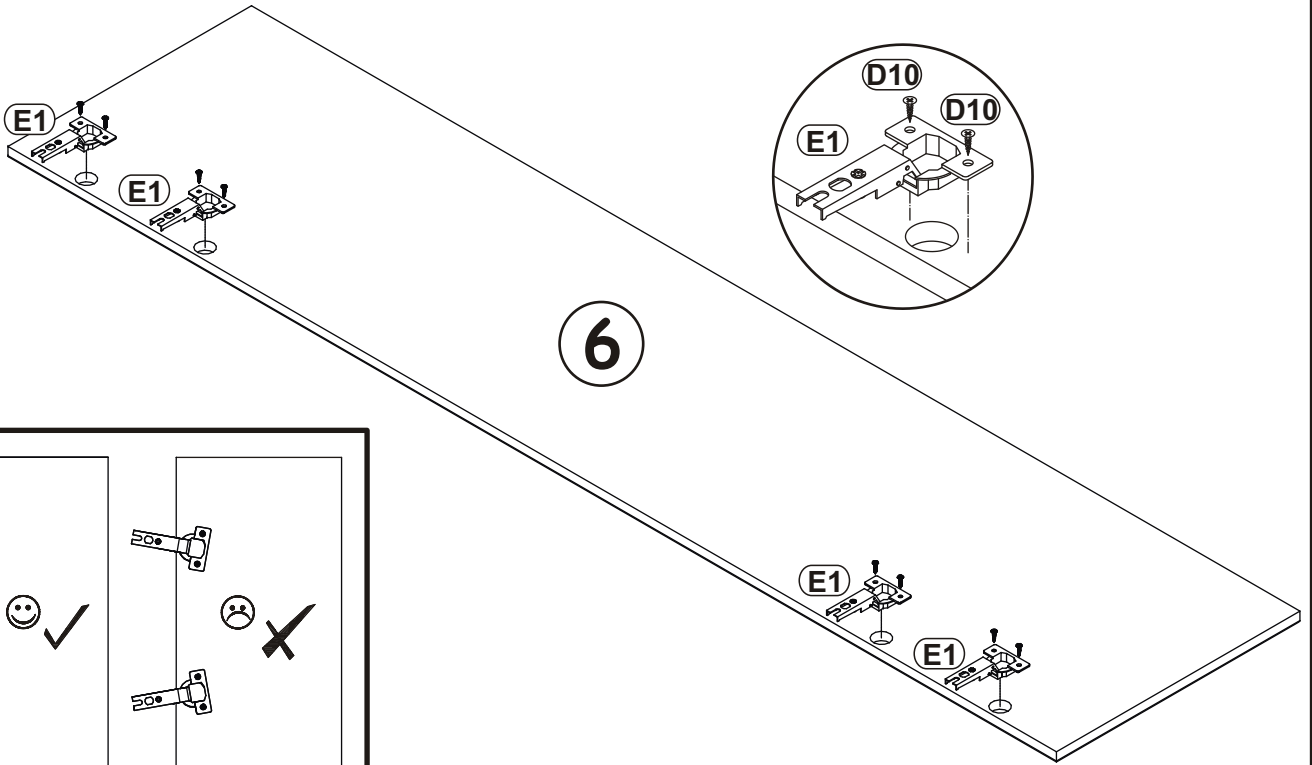


FLY 28--FY 40-C


3

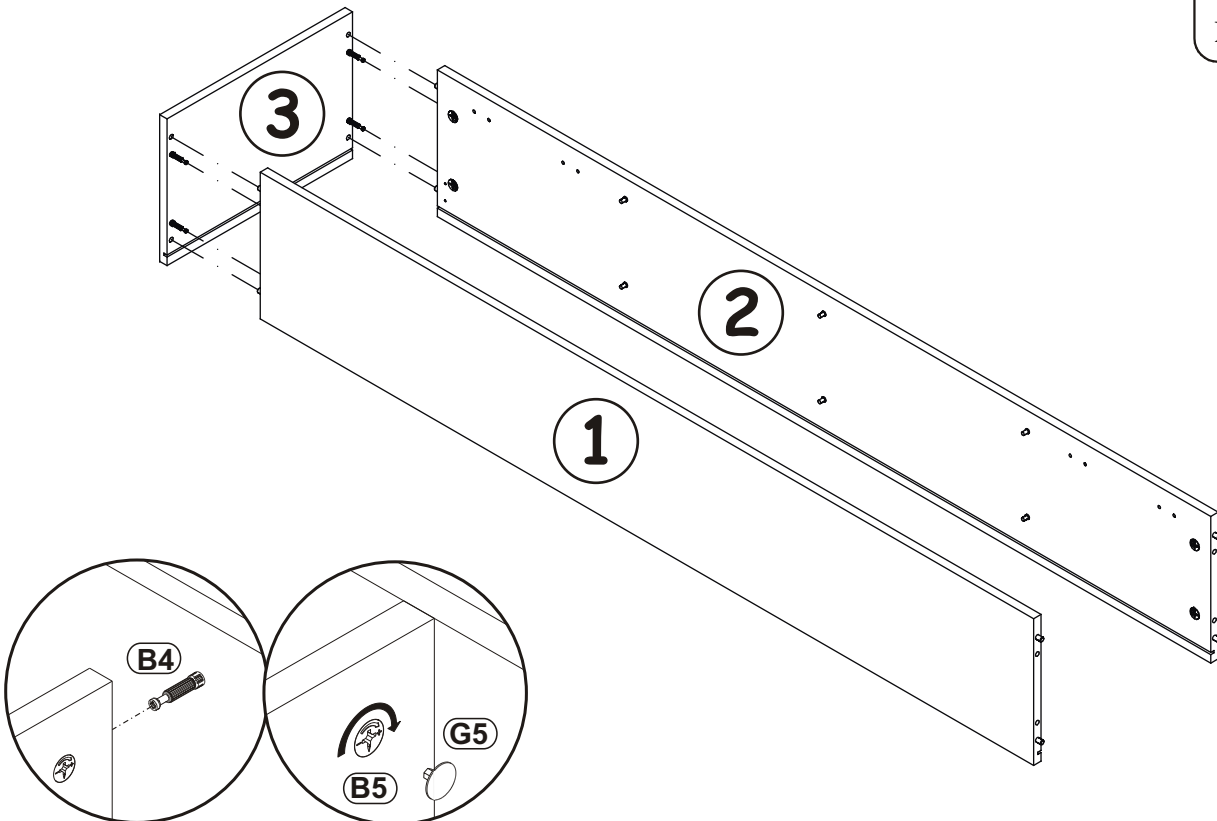



E1	Ø26	D10	 USØ3,5x13
x4	H=0	x8	



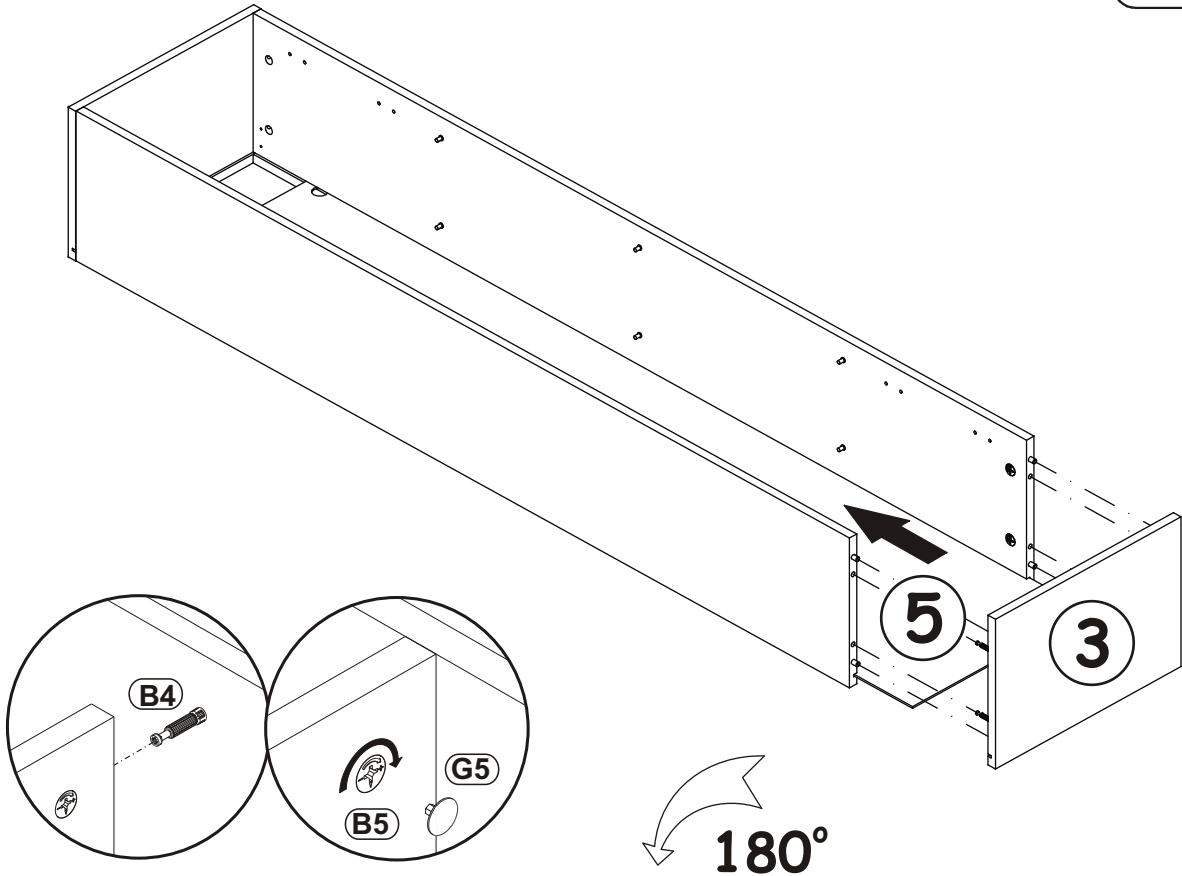
4

G5	
x4	



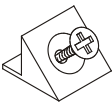
G5	
x4	

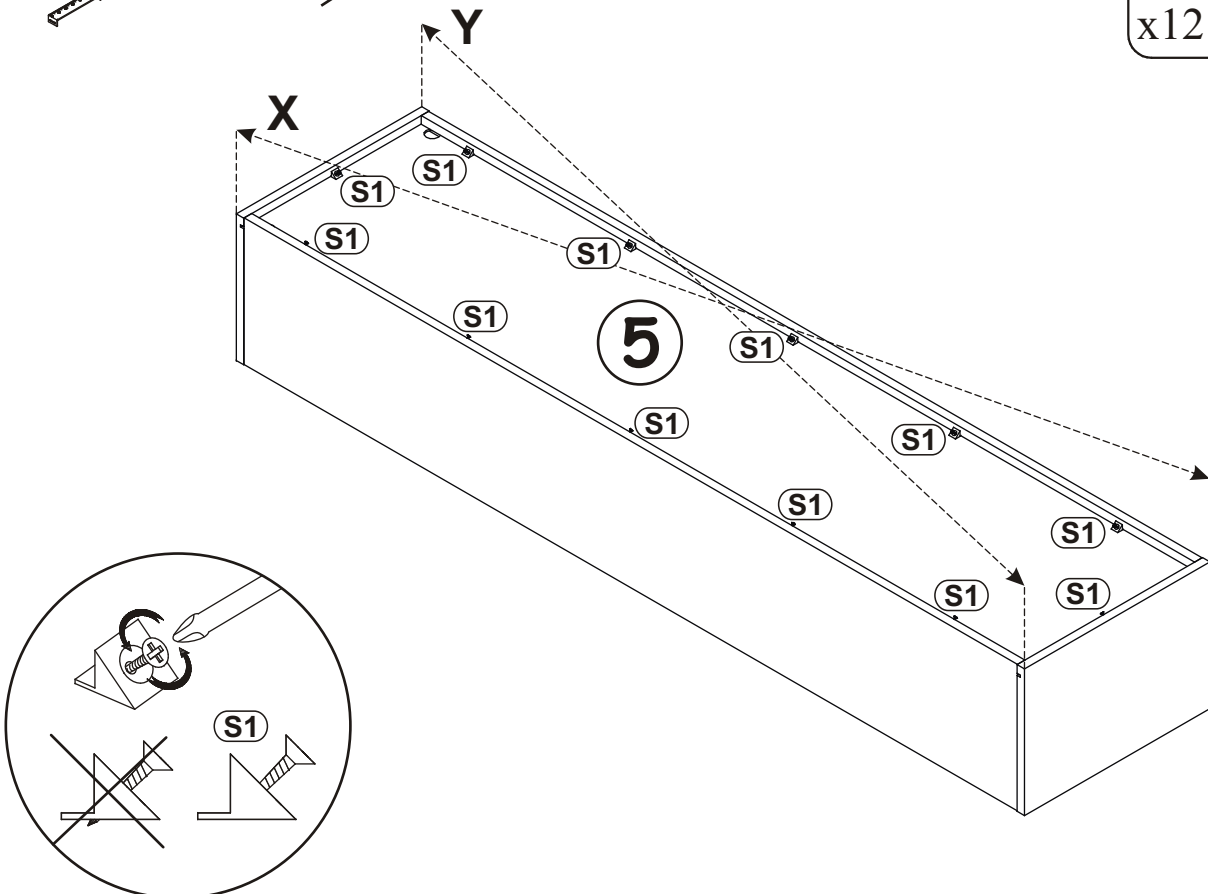
5



6

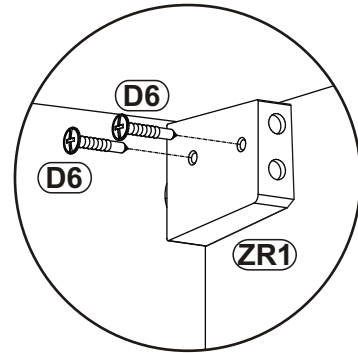
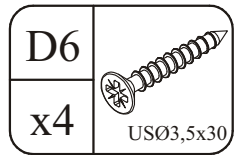
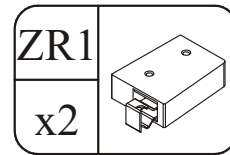
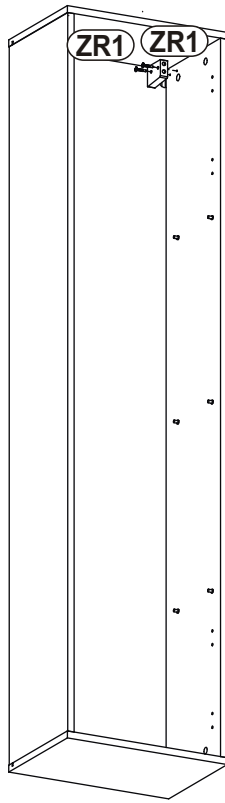
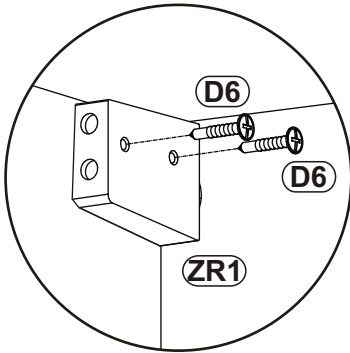


S1	
x12	

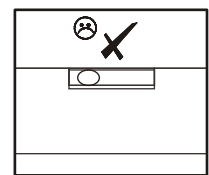
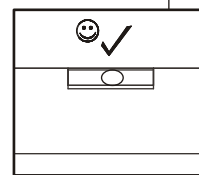
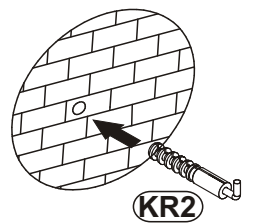
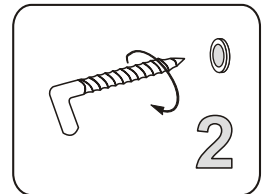
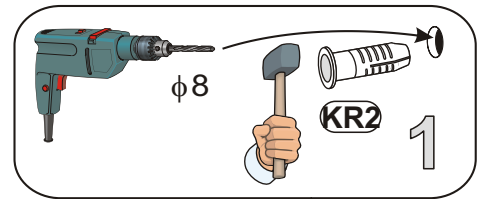
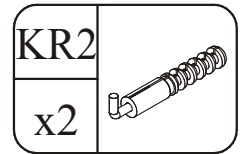
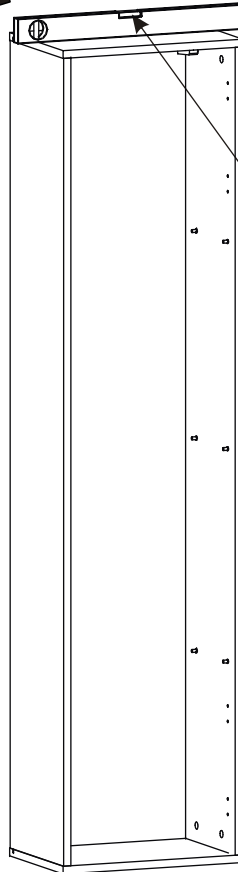
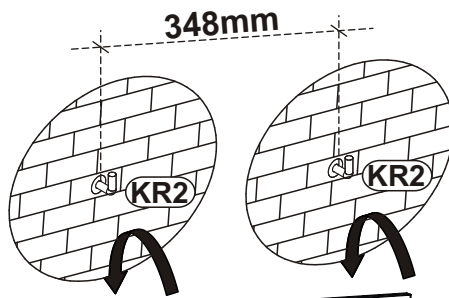
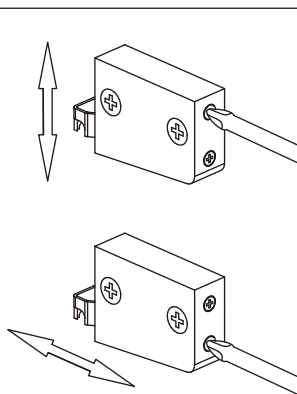
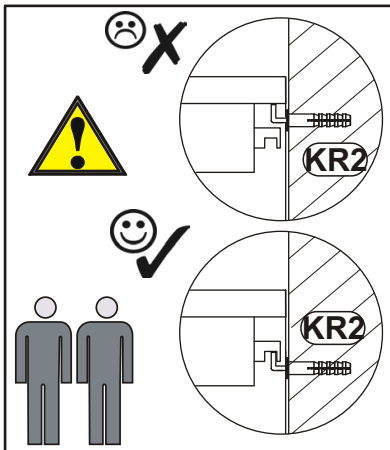
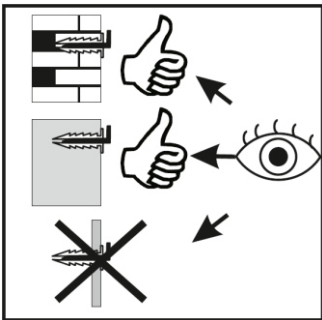


FLY 28--FY 40-C

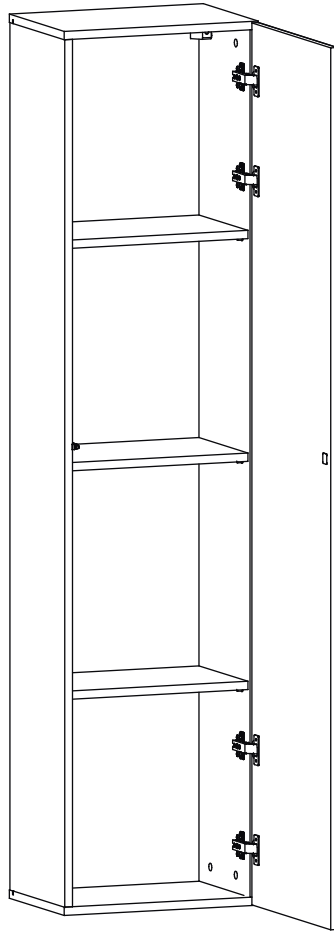
7



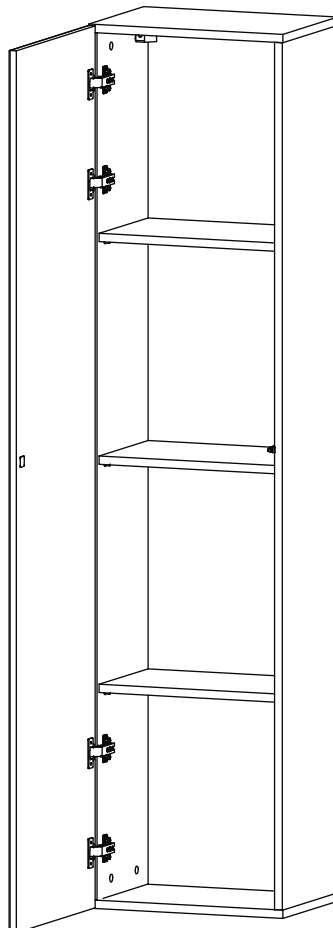
8



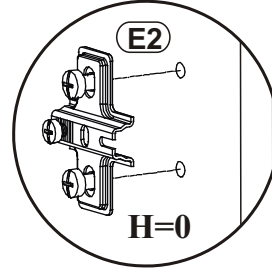
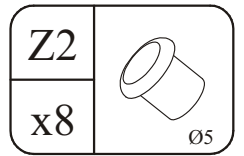
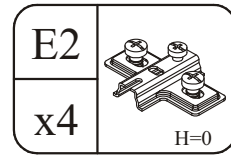
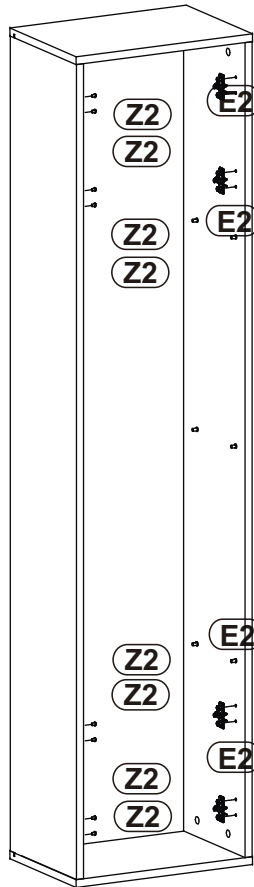
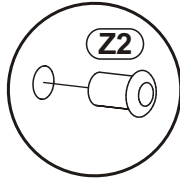
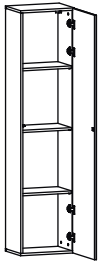
9-10



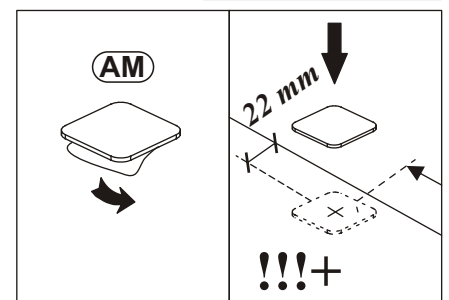
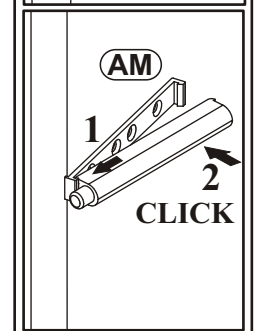
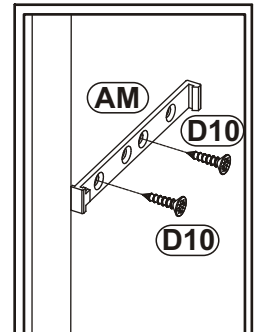
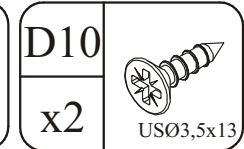
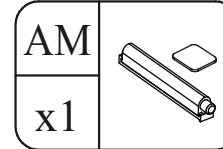
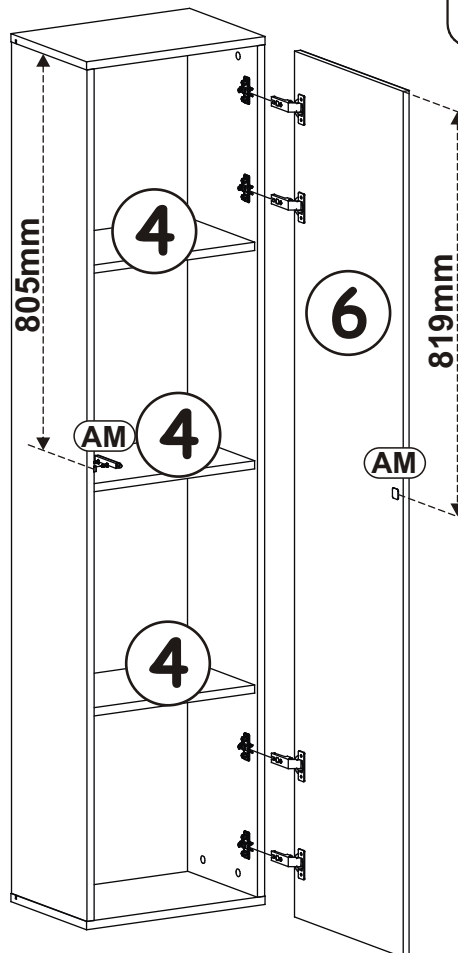
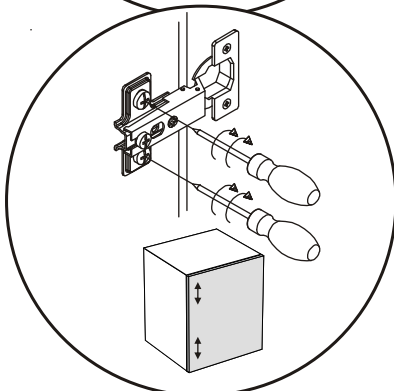
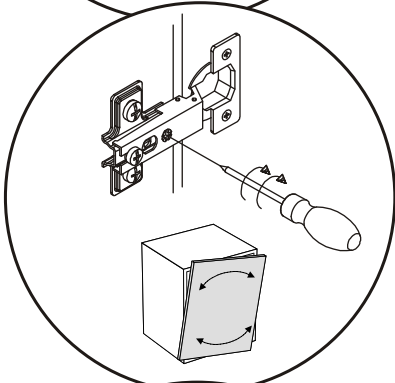
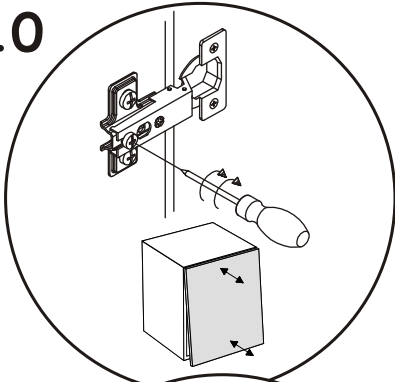
11-12



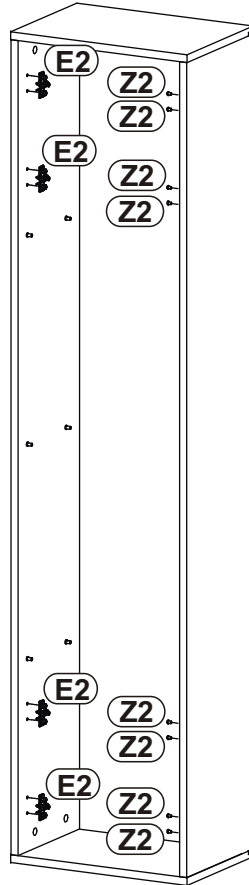
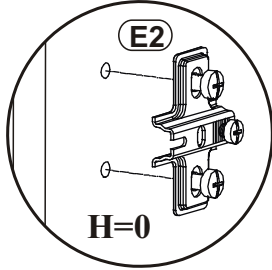
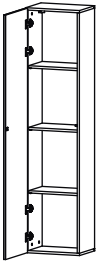
9

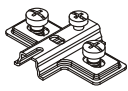



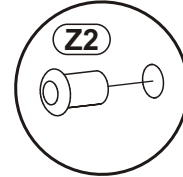
10



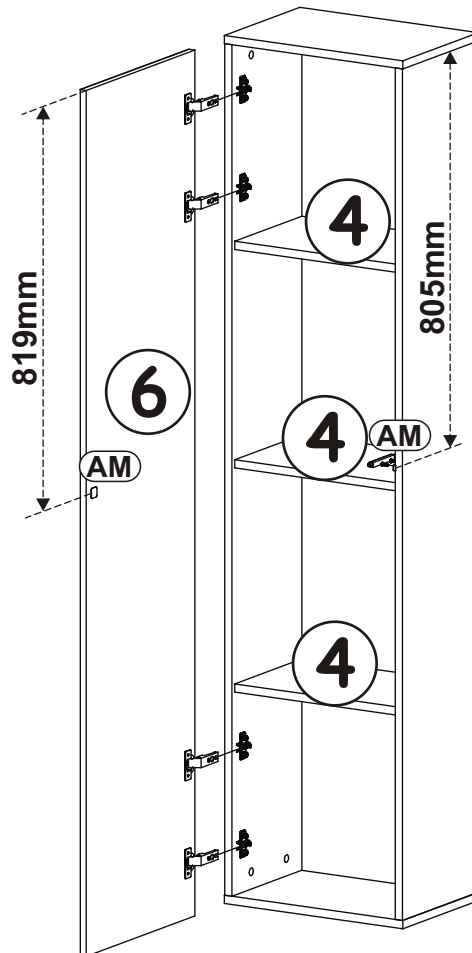
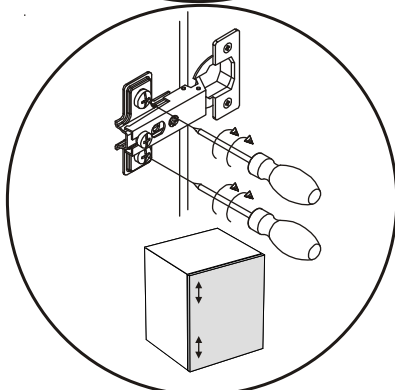
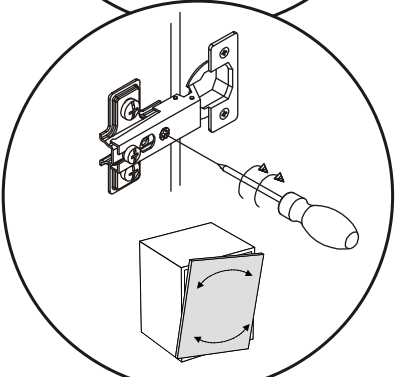
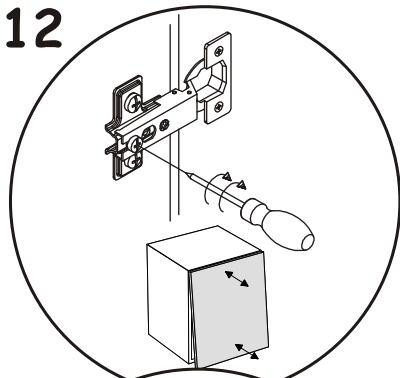
11

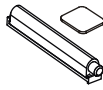



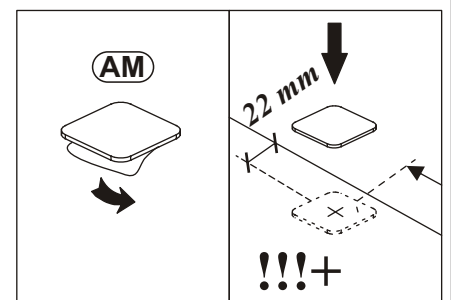
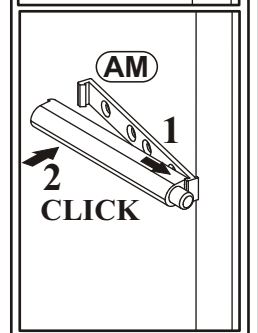
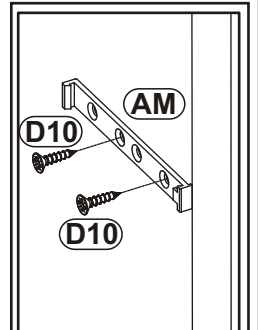
E2		Z2	
x4	H=0	x8	Ø5



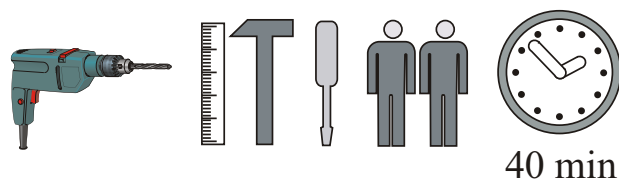
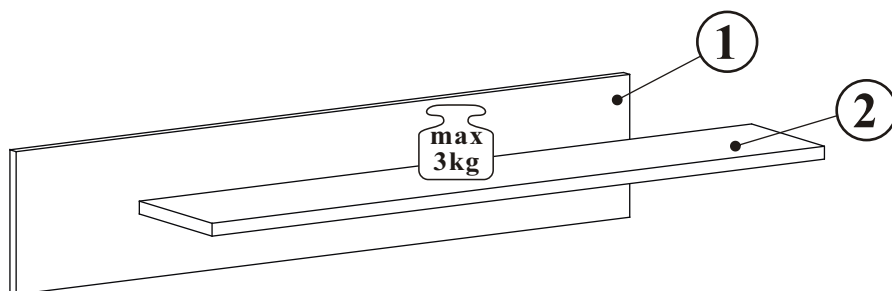
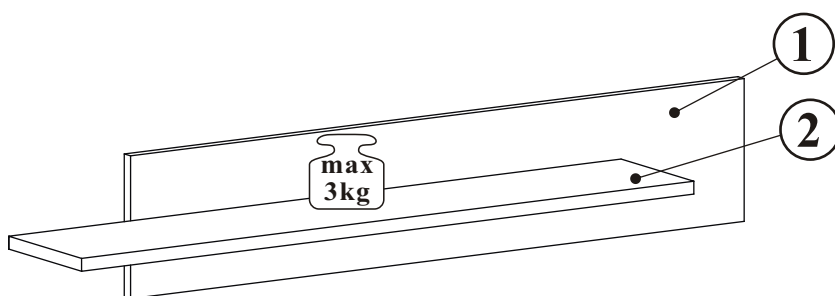
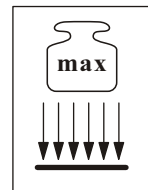
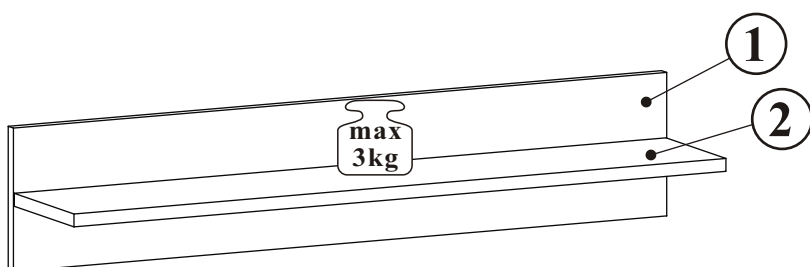
12



AM		D10	
x1		x2	USØ3,5x13

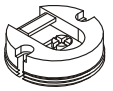







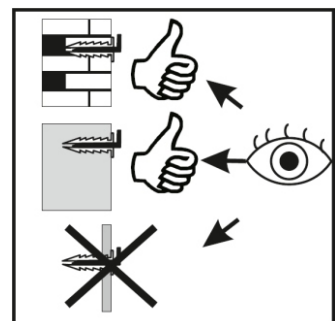
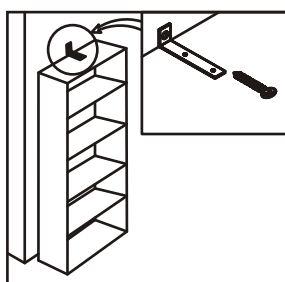
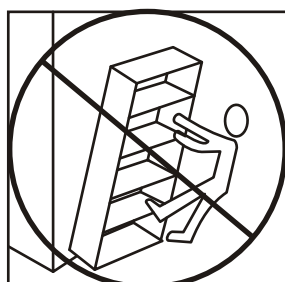
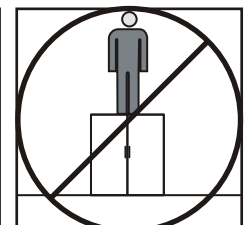
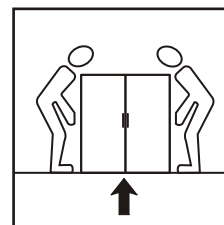
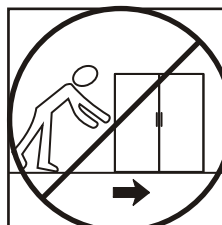
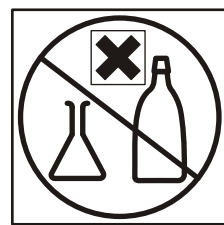
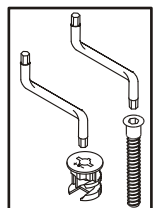
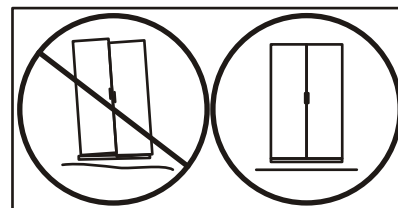
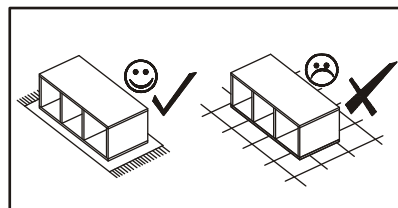
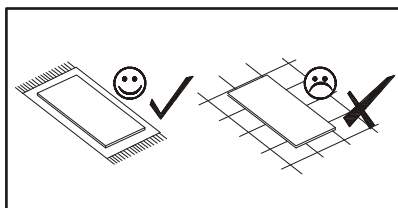
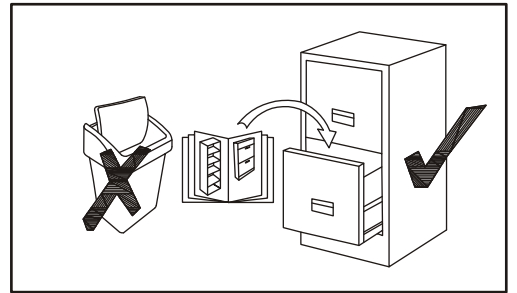
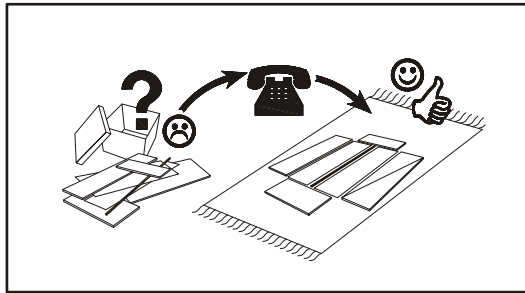
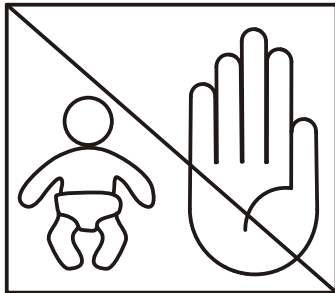
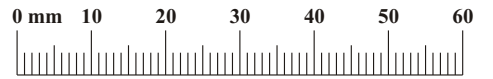
GALINO 23_MX



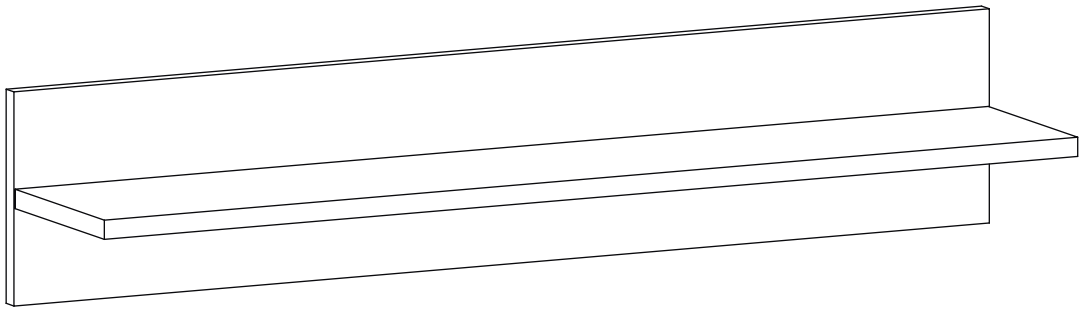
NO	Dim.		Col.-No	Qty
1	1002	200	1	2
2	1000	185	1	2

GALINO 23_MX

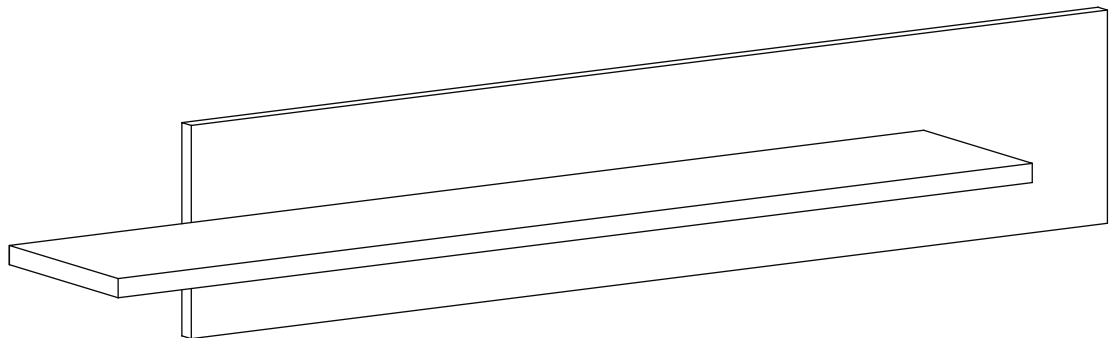
ZM1 x4		D20 x8	 ESØ6x9,5	B11 x12	 Ø7x50	G4 x12		KR2 x4		G2 x1	
-----------	---	-----------	---	------------	--	-----------	---	-----------	---	----------	---



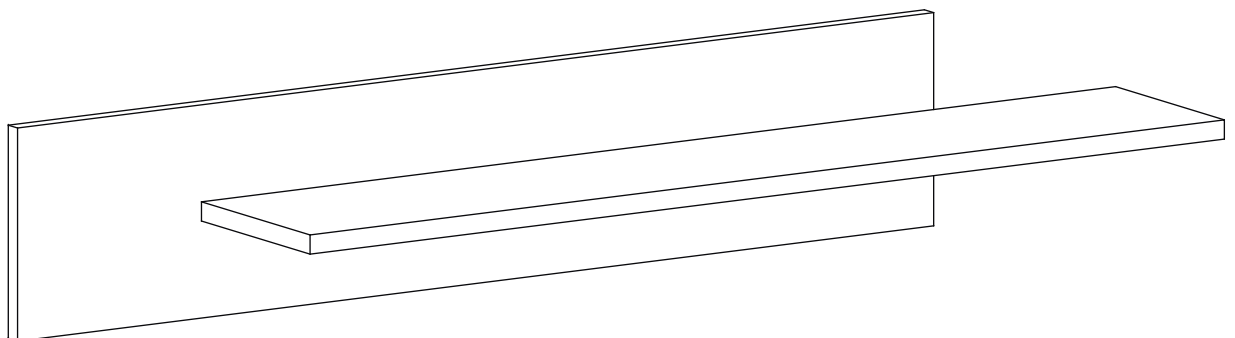
1-3



4-6

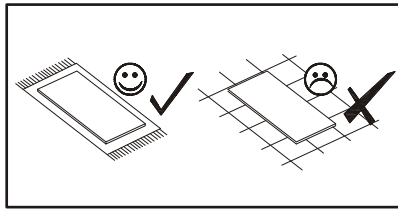


7-9

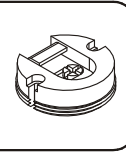


GALINO 23_MX

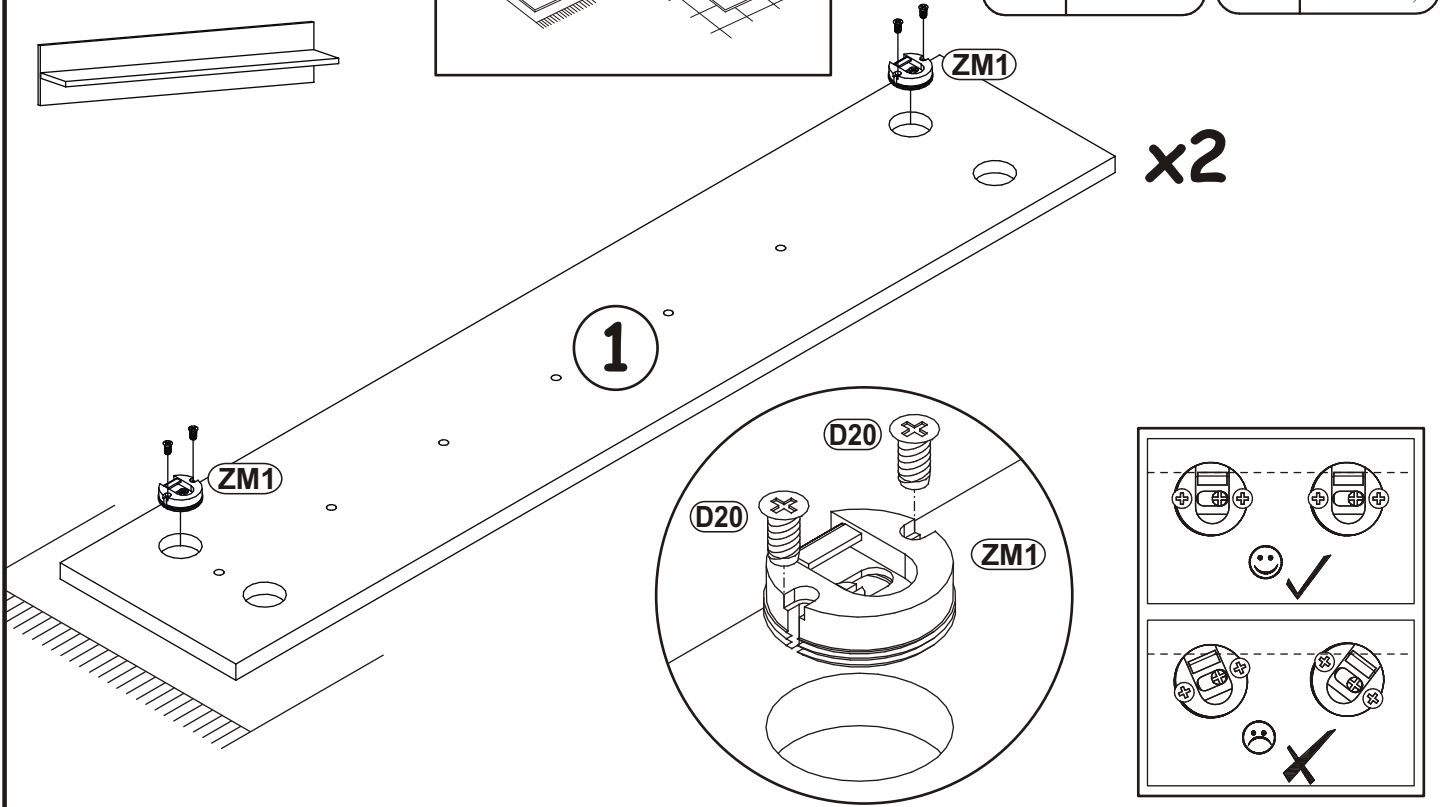
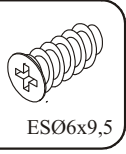
1



ZM1
x4

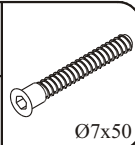


D20
x8

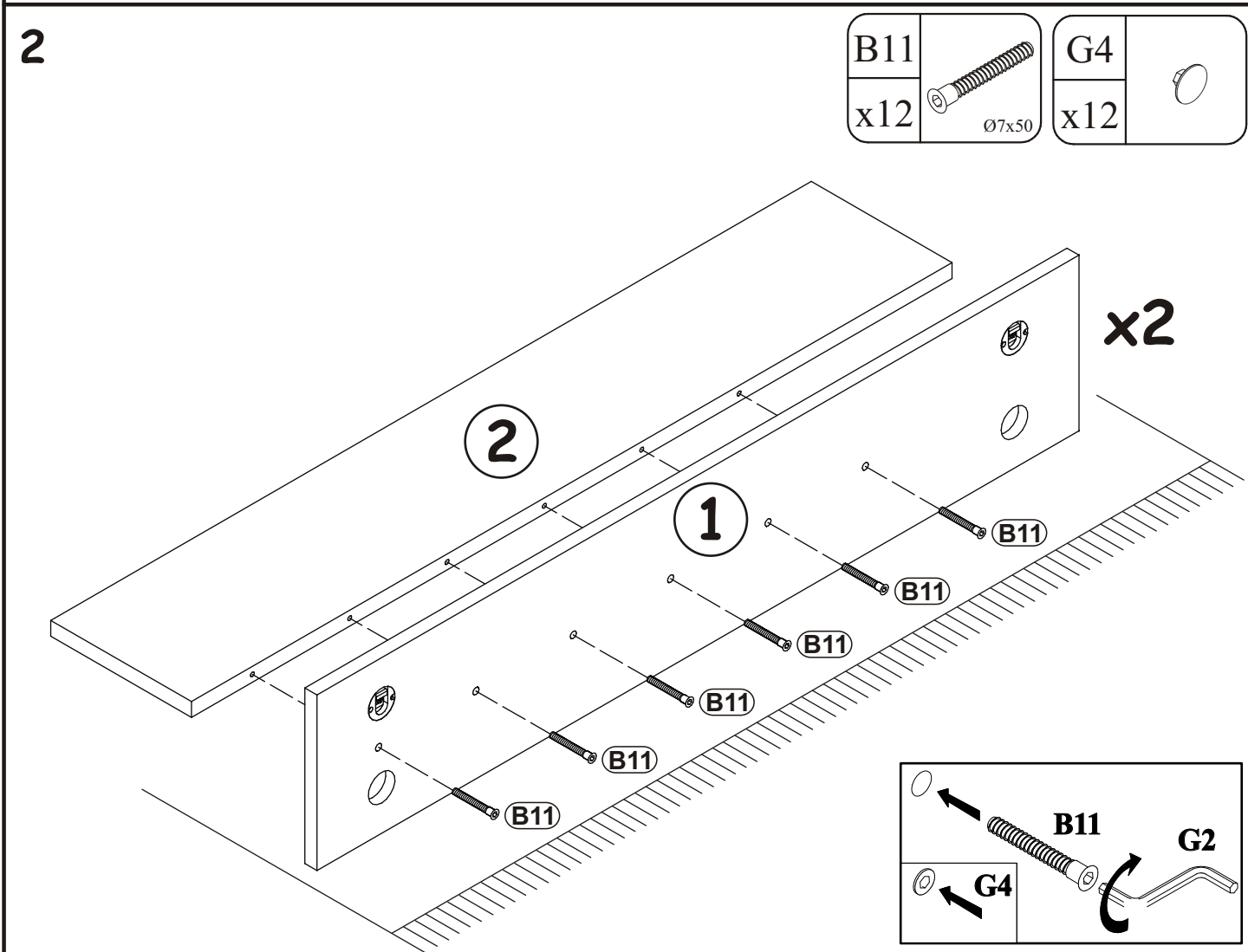
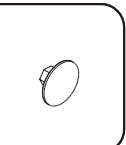


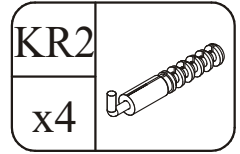
2

B11
x12

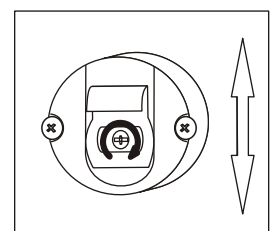
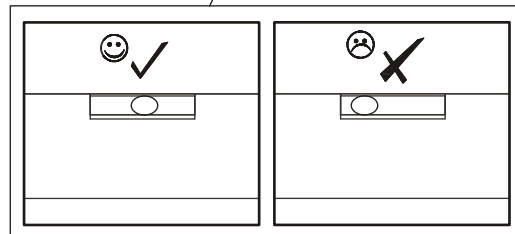
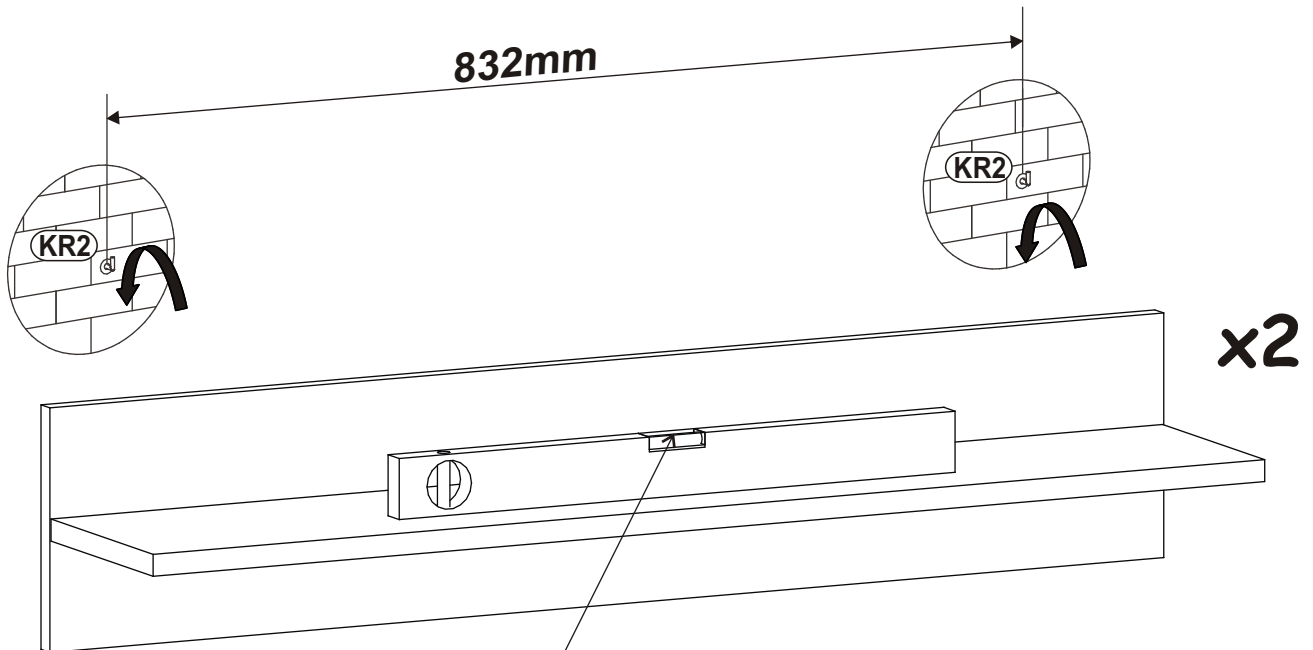
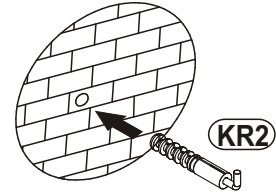
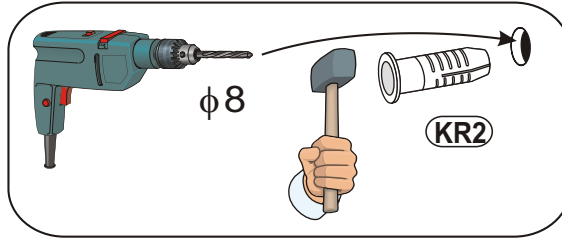
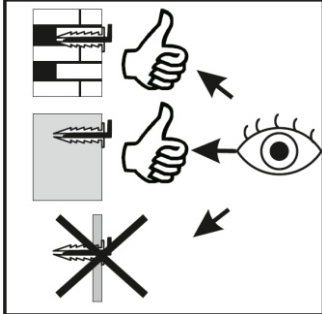


G4
x12

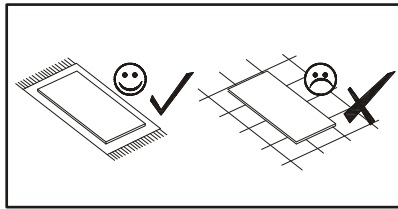




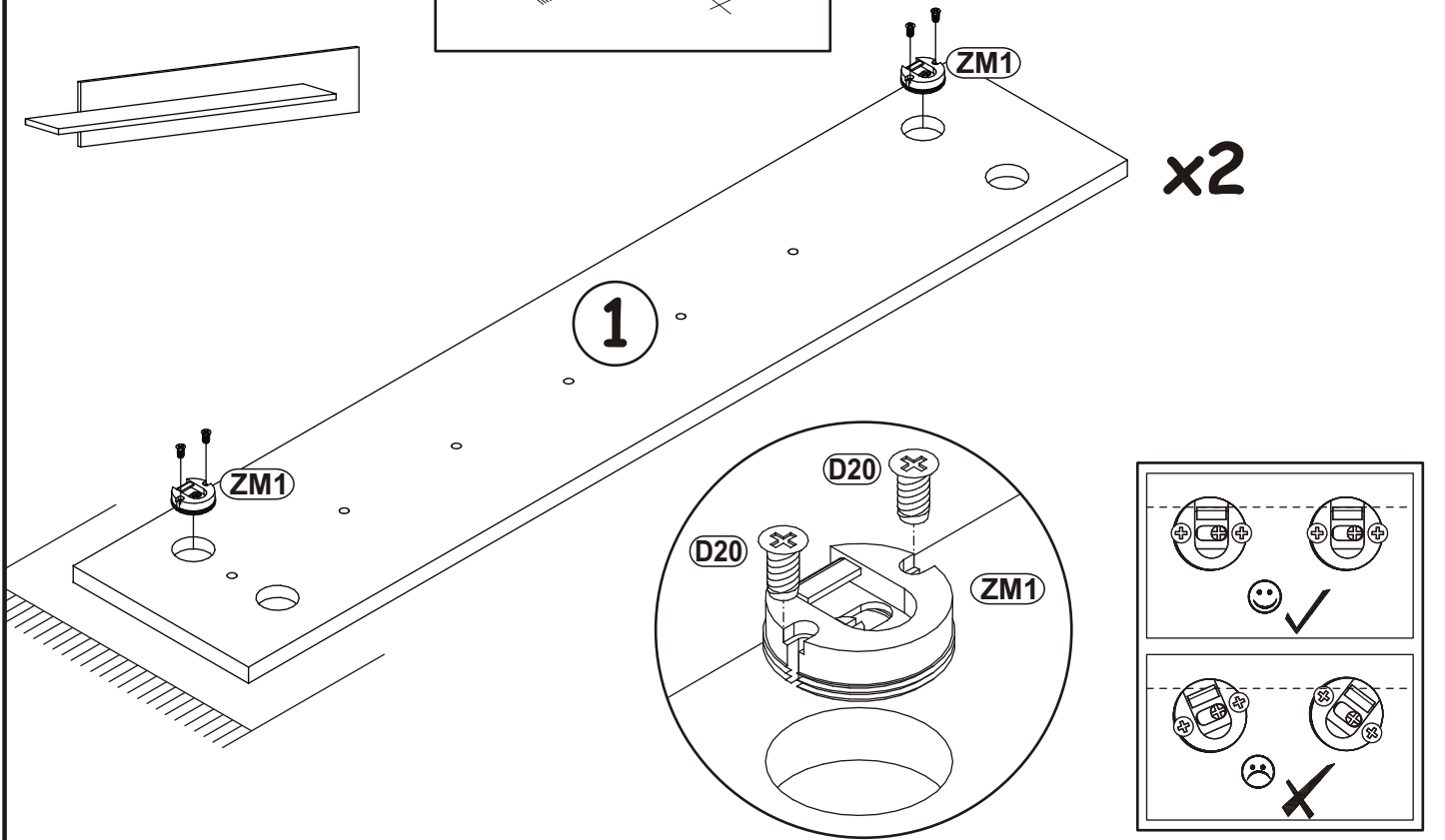
3



4

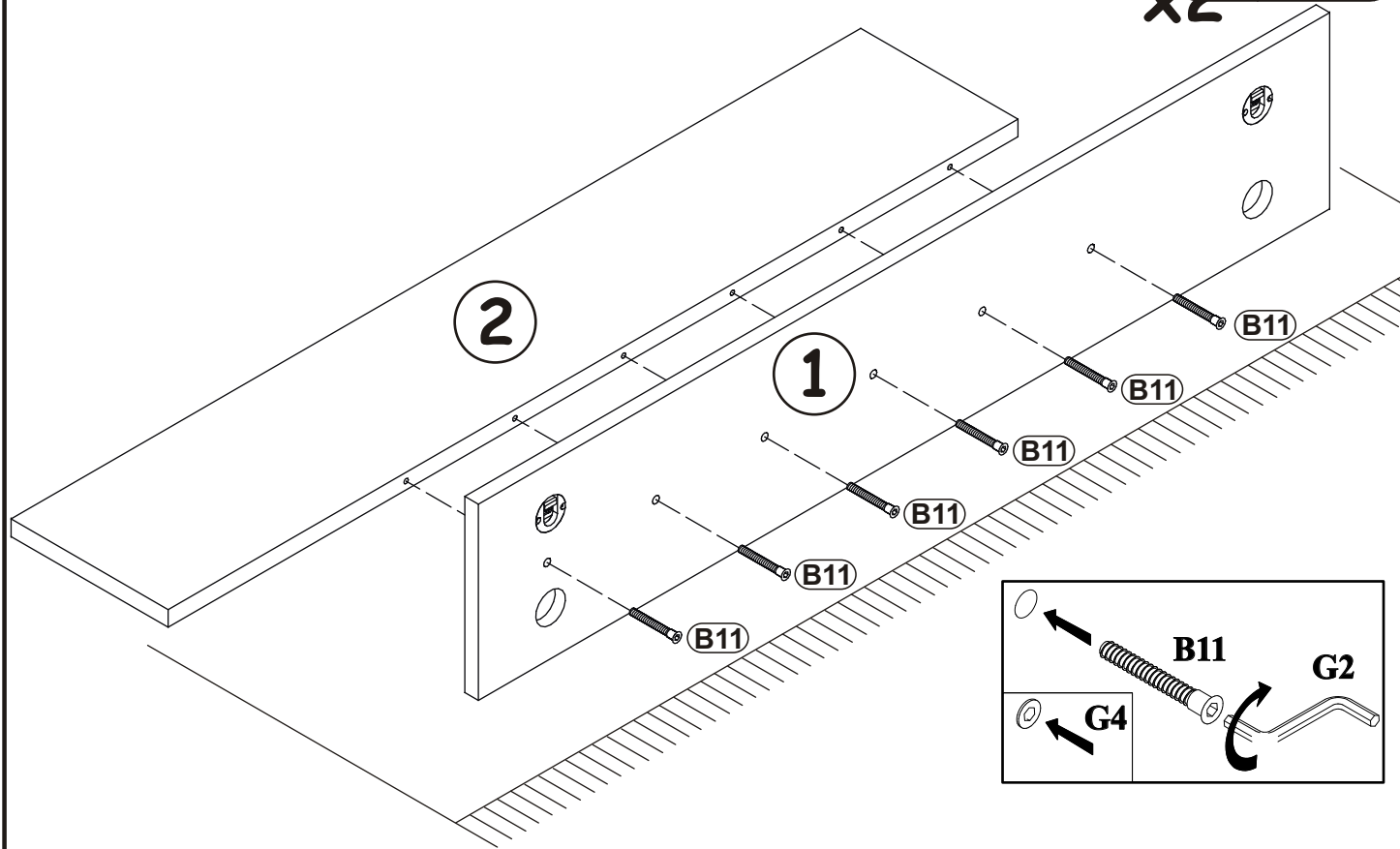


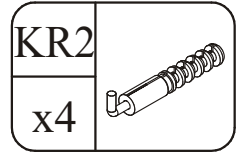
ZM1		D20	
x4		x8	ESØ6x9,5



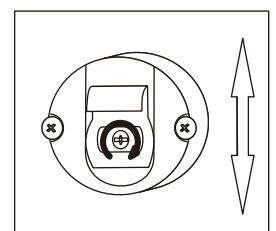
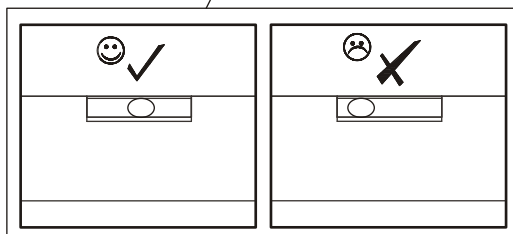
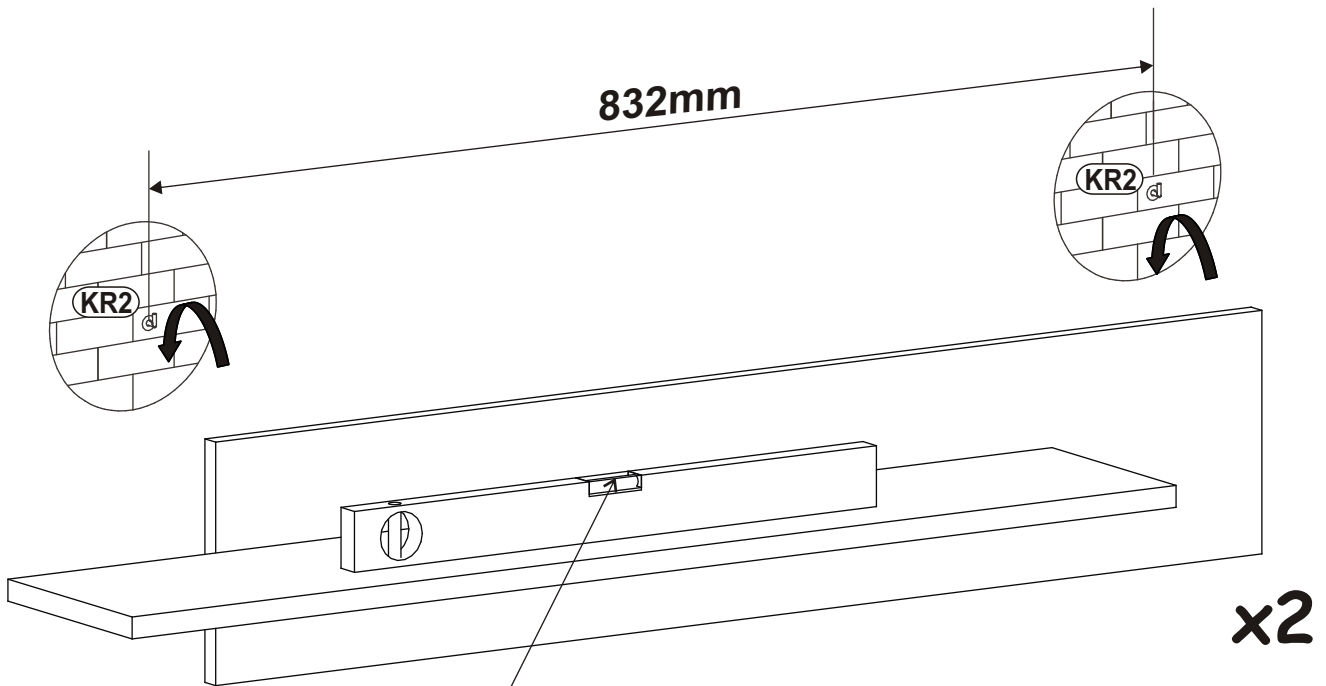
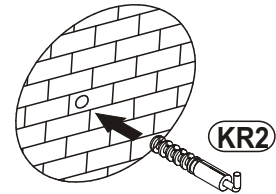
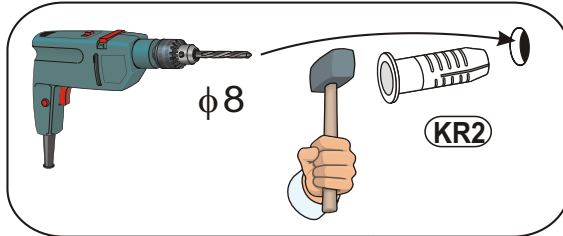
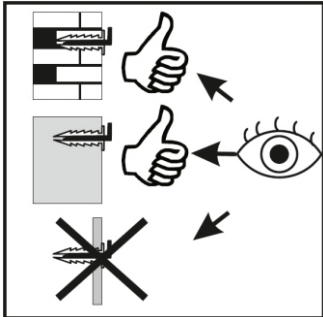
5

B11		G4	
x12	Ø7x50	x12	

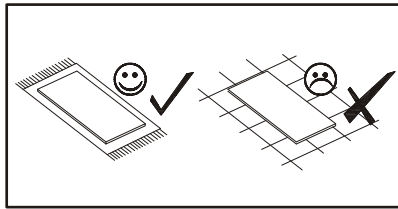




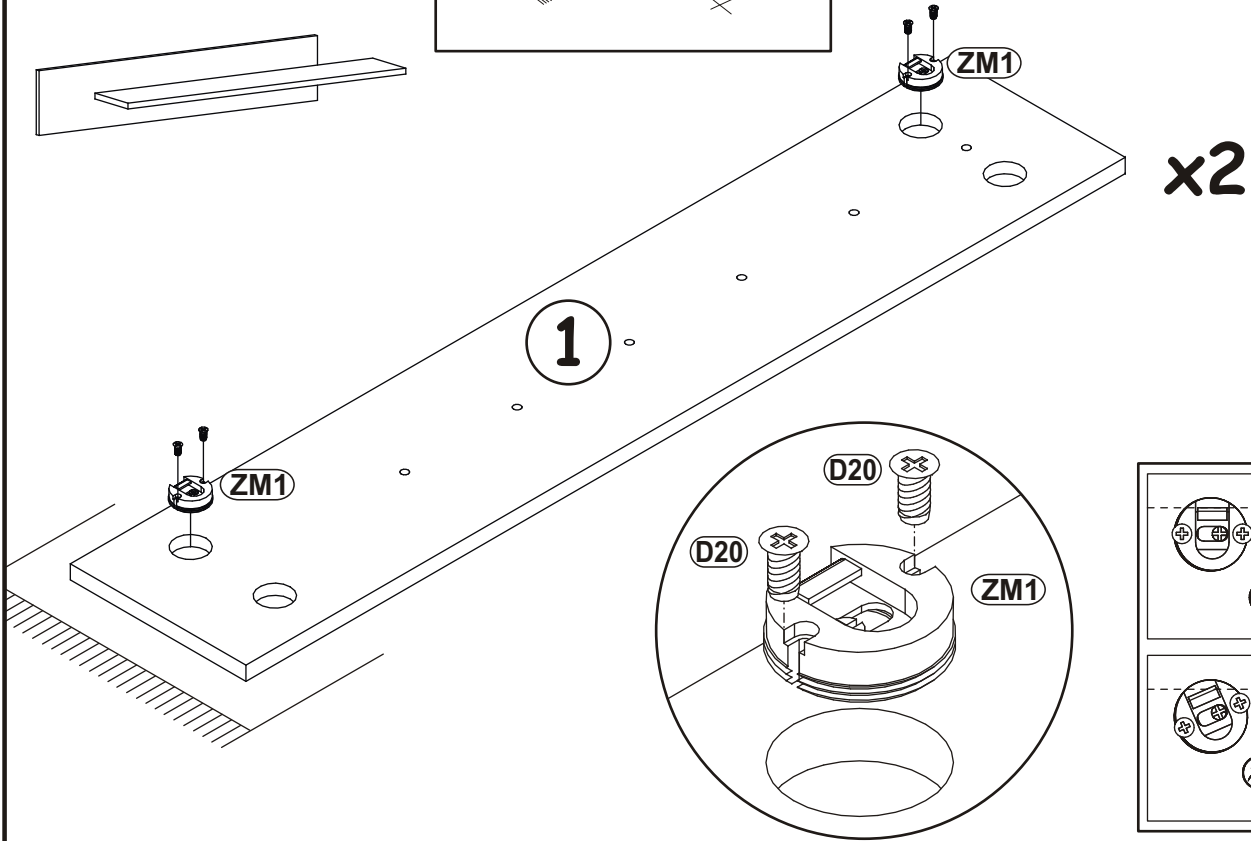
6



7

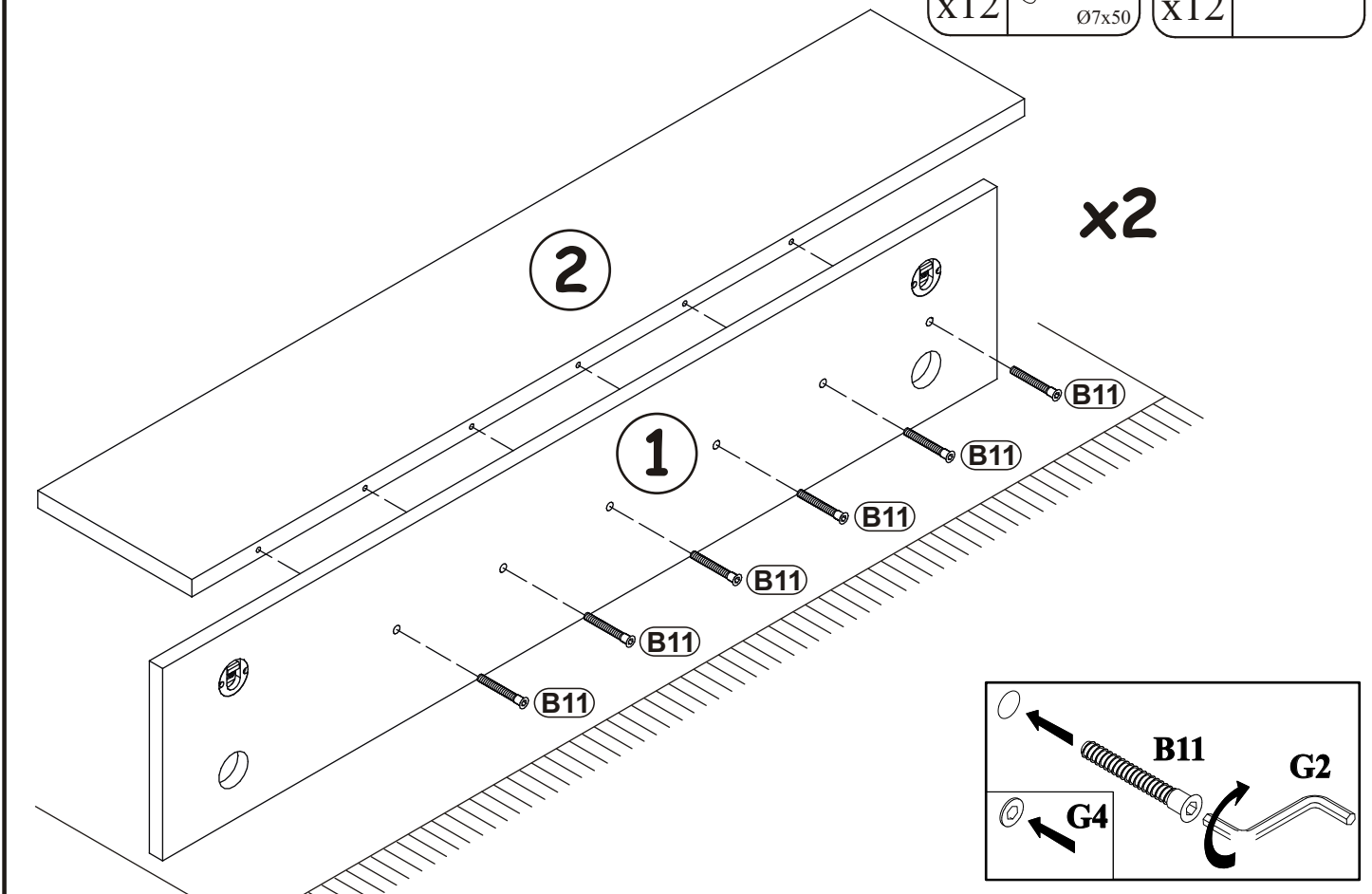


ZM1		D20	
x4		x8	



8

B11		G4	
x12	Ø7x50	x12	



9

