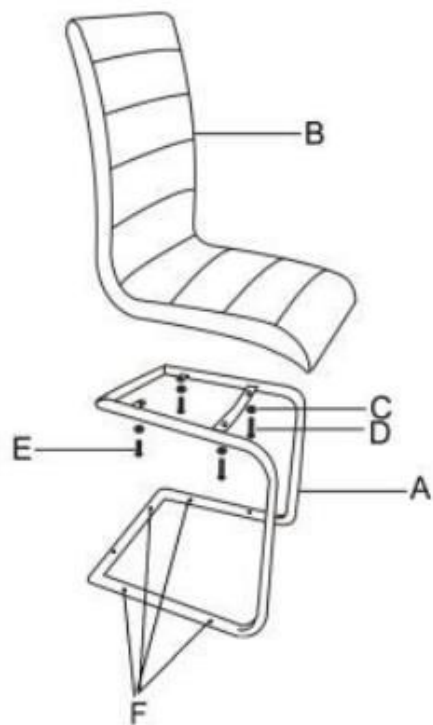


K-132

KSD-530C



A		1	D	 6x35mm	2
B		1	E	 6x20mm	2
C		4	F		6