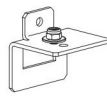
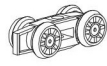


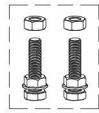
x1



x5



x2



x1



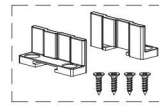
x2



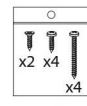
x2



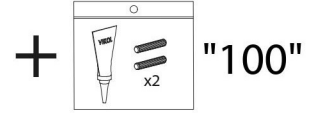
x3



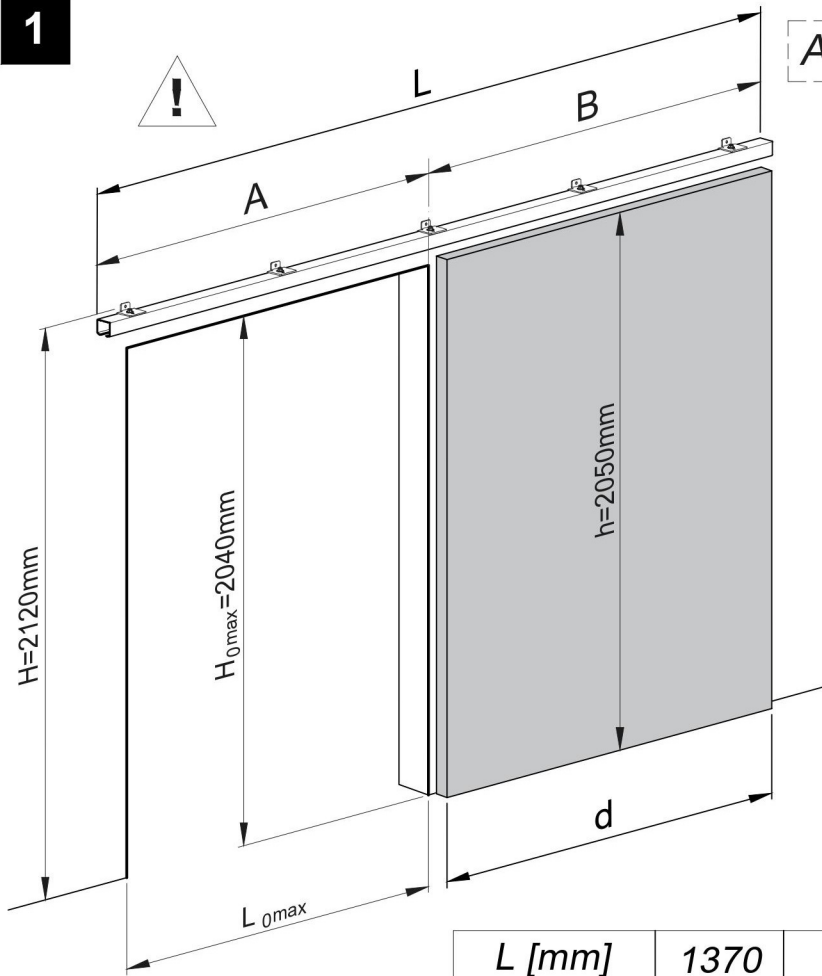
x1



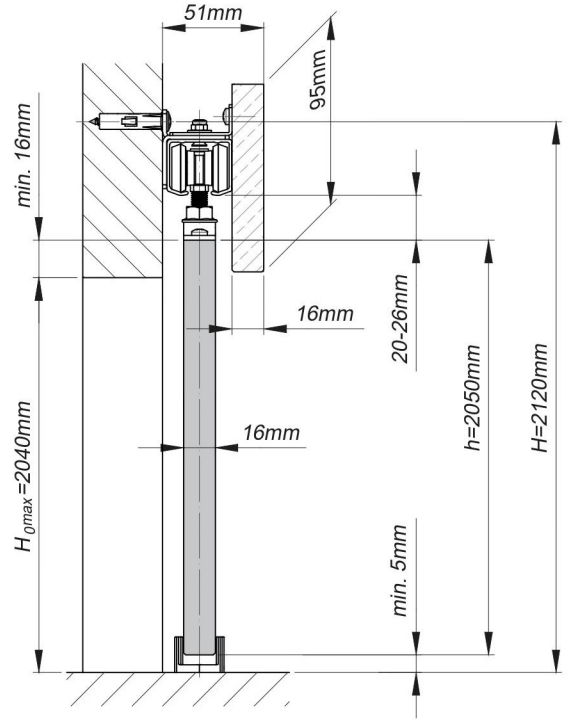
x1



1

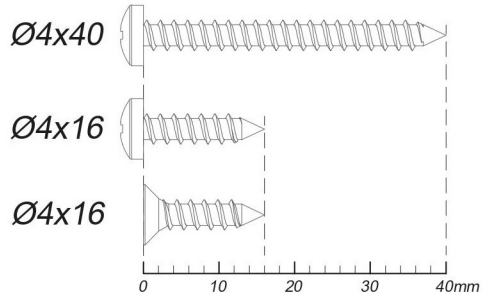
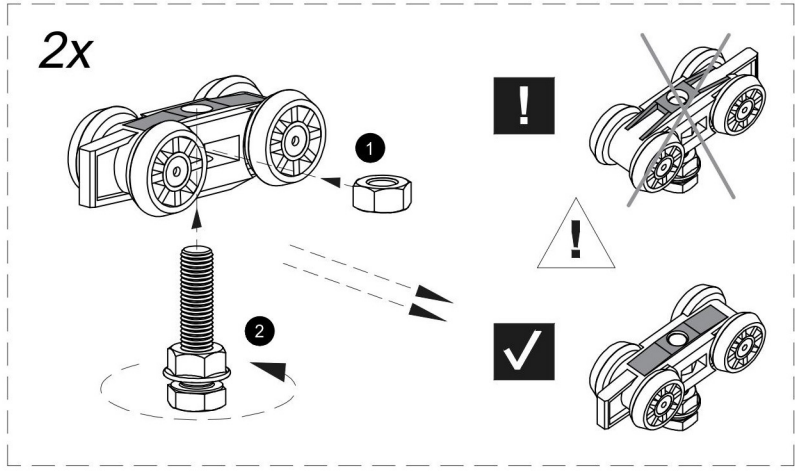


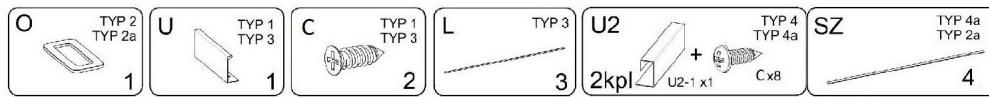
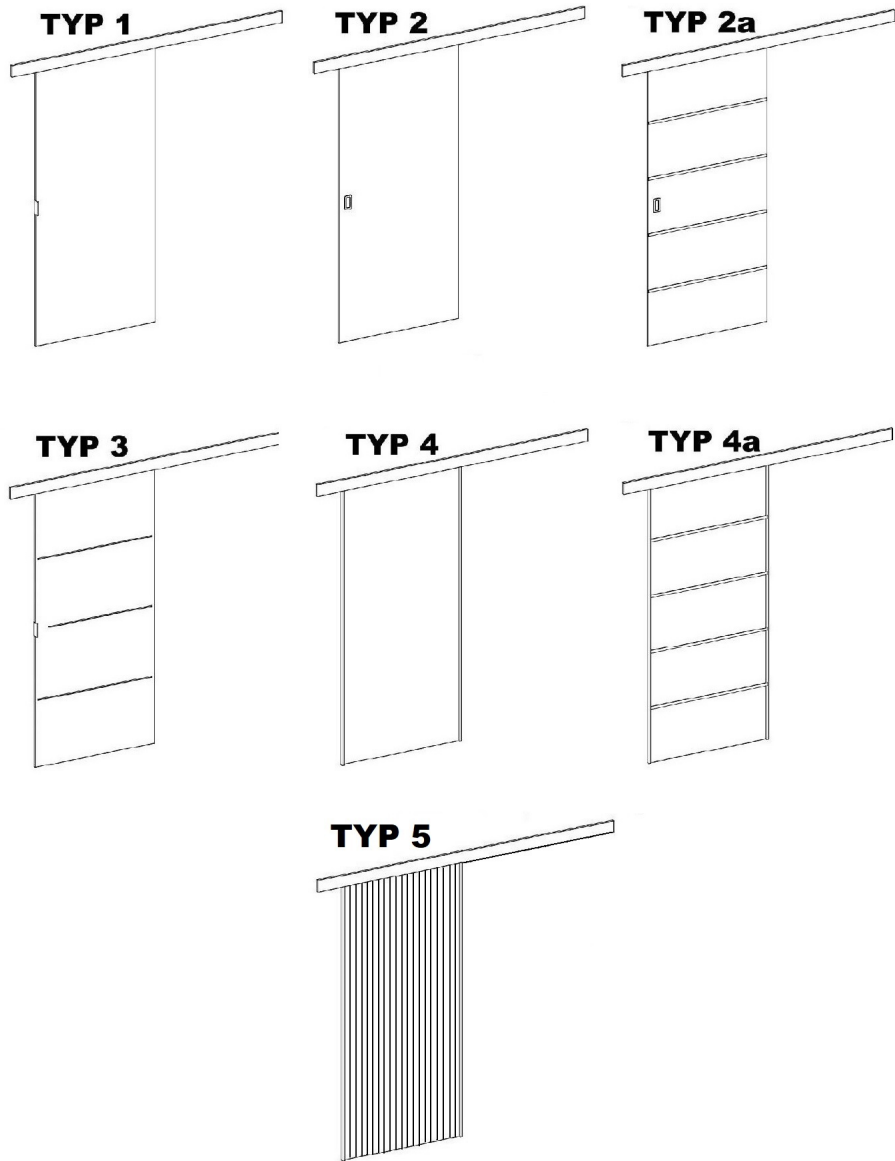
A=B



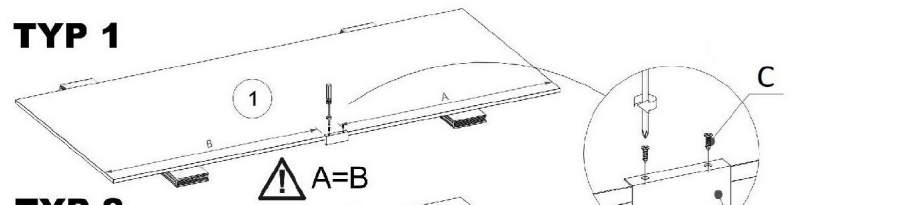
L [mm]	1370	2000			
d [mm]	660 "60"	760 "70"	860 "80"	960 "90"	1060 "100"
L0max [mm]	600	700	800	900	1000

2

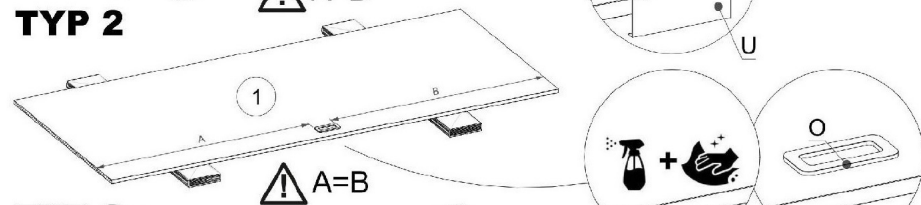




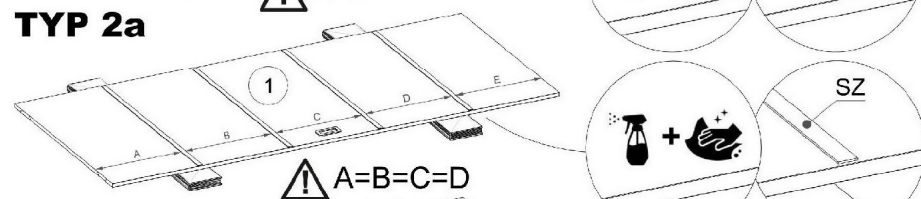
TYP 1



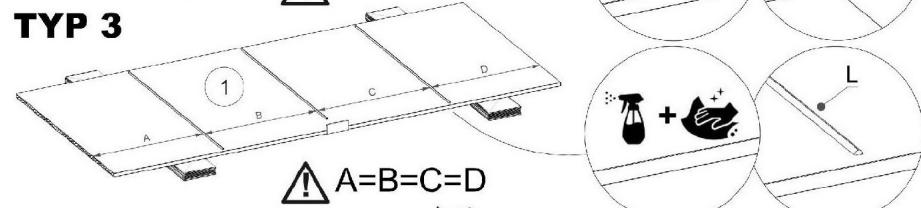
TYP 2



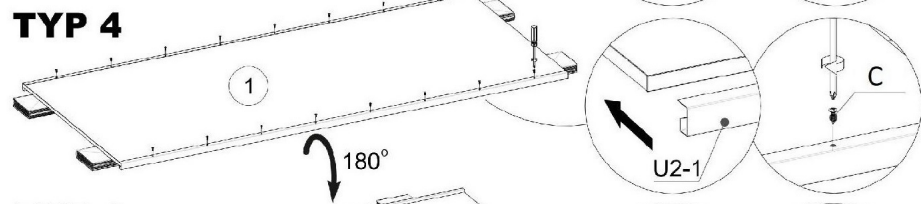
TYP 2a



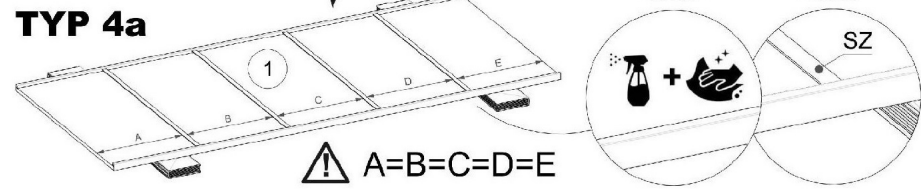
TYP 3



TYP 4



TYP 4a

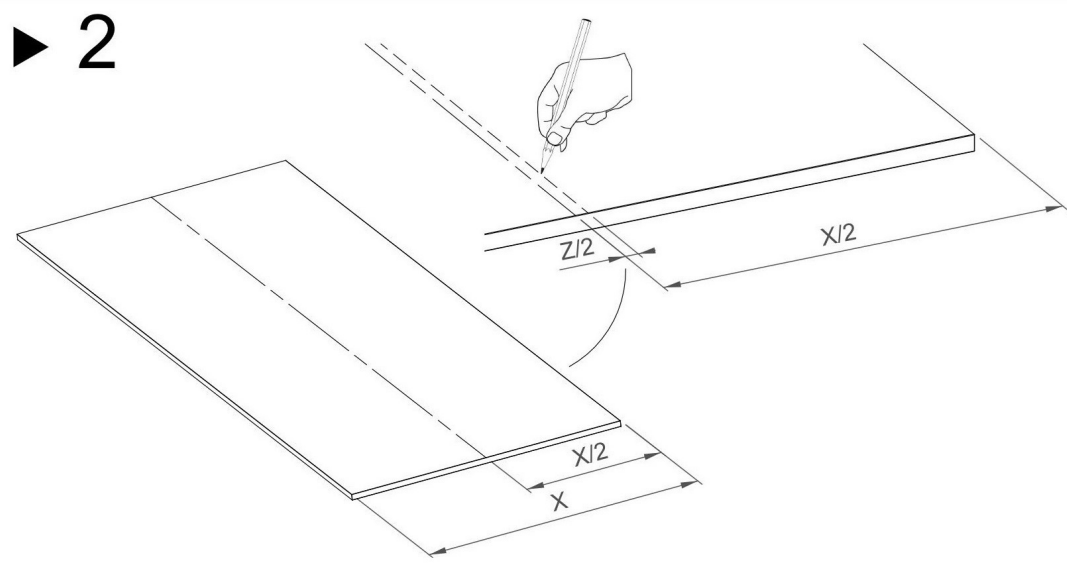
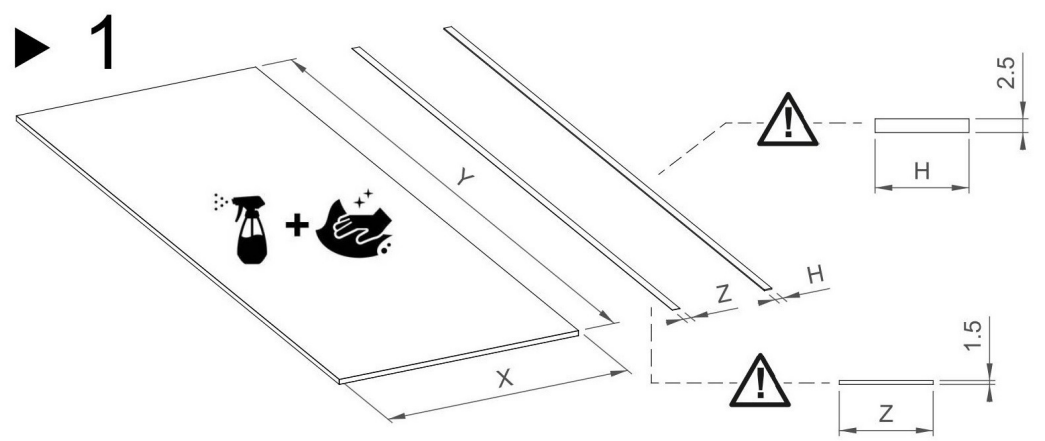
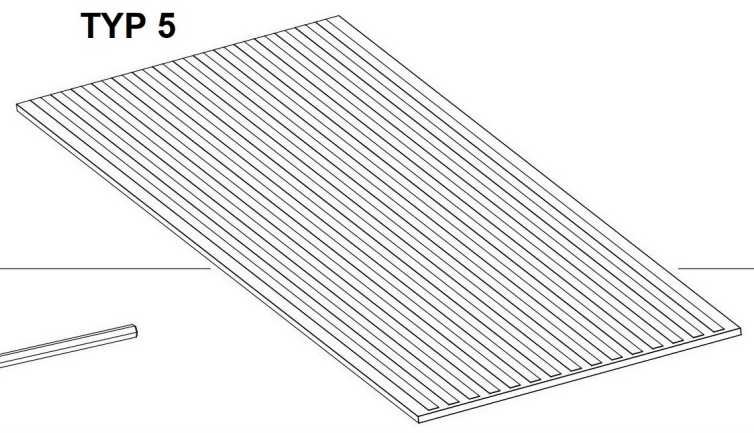
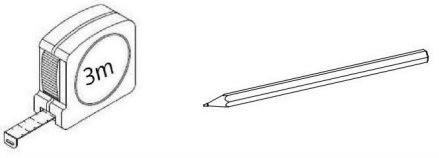


3b

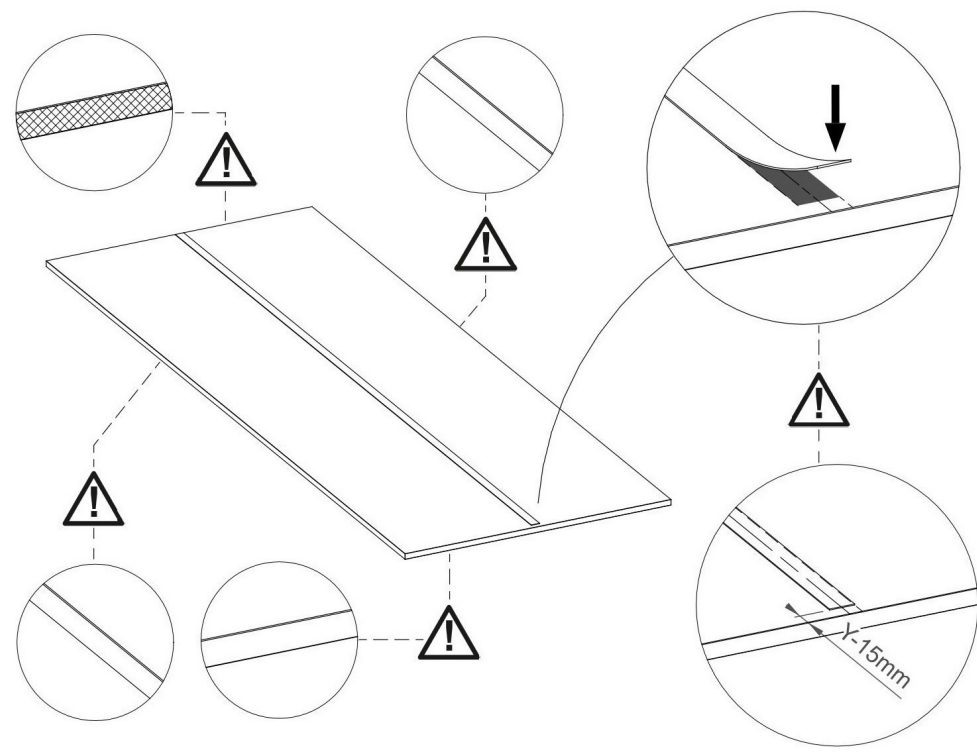
TYP 5



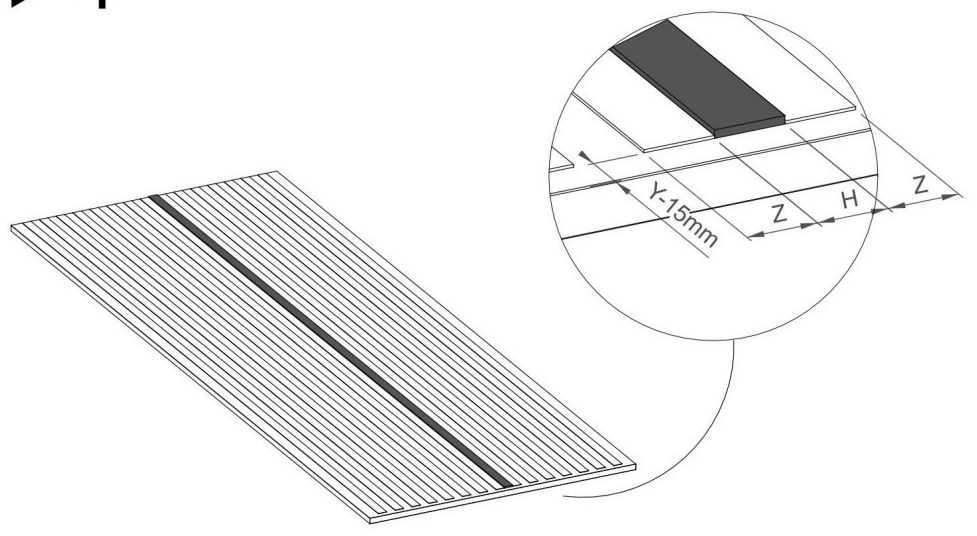
~25 min



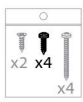
▶ 3



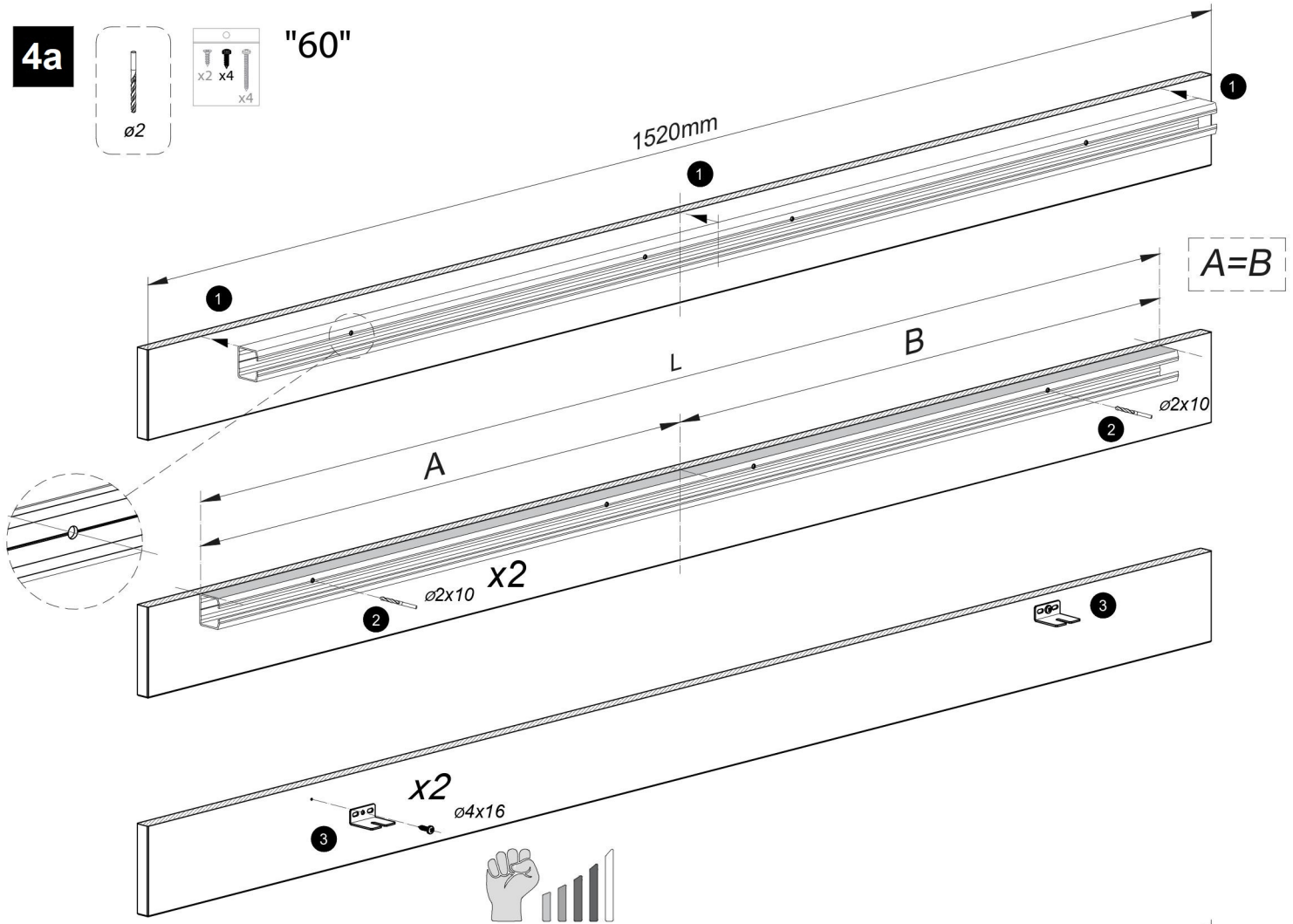
▶ 4



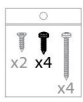
4a



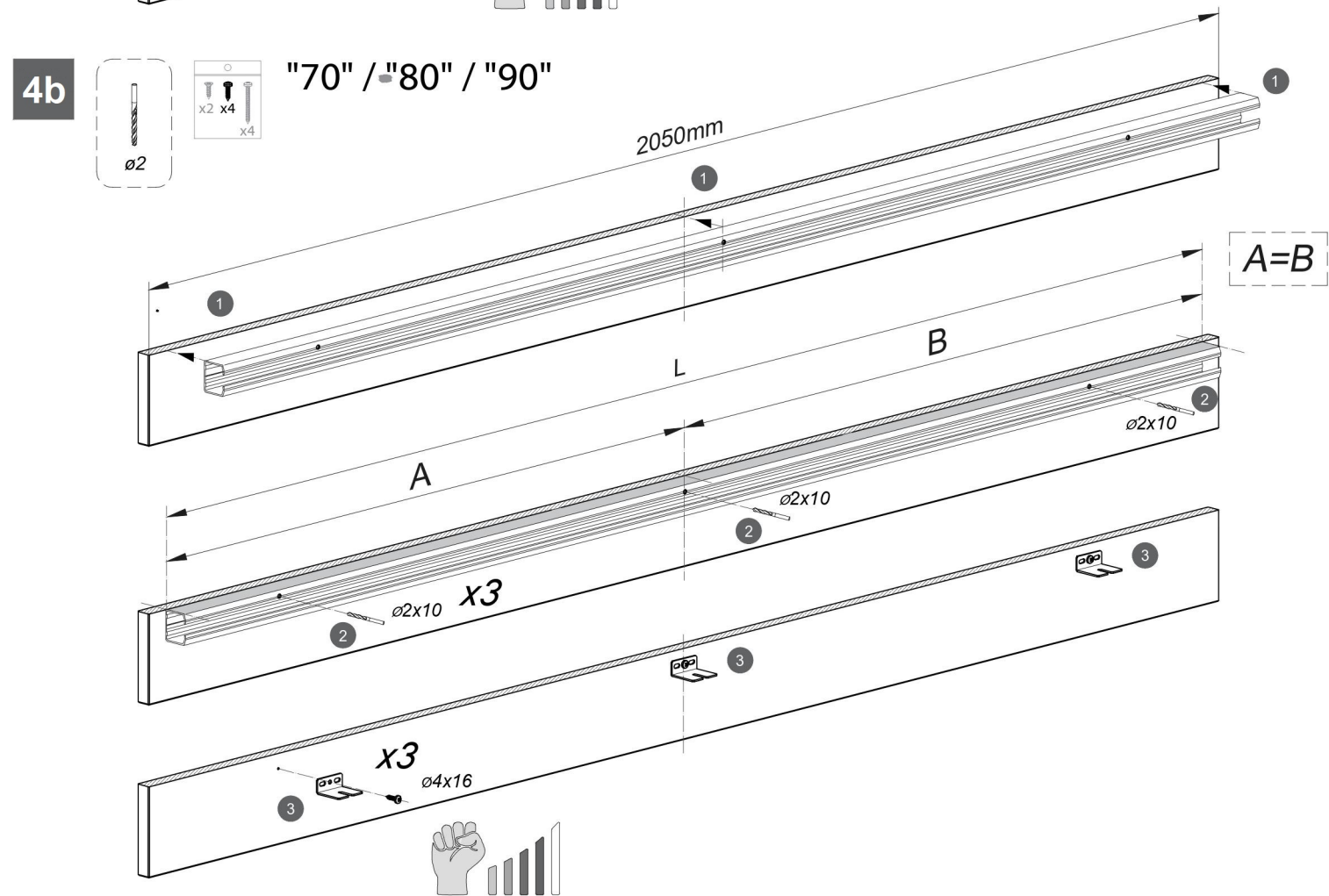
"60"



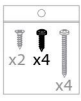
4b



"70" / "80" / "90"



4c



"100"



1100mm

1100mm

2200mm

A=B

A

B

$\varnothing 2 \times 10$ x2

$\varnothing 2 \times 2$

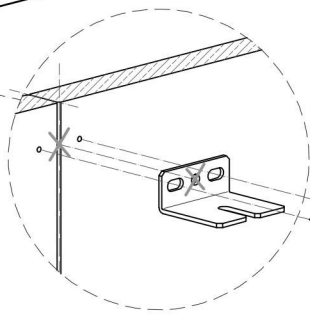
$\varnothing 2 \times 10$

$\varnothing 4 \times 16$ x2

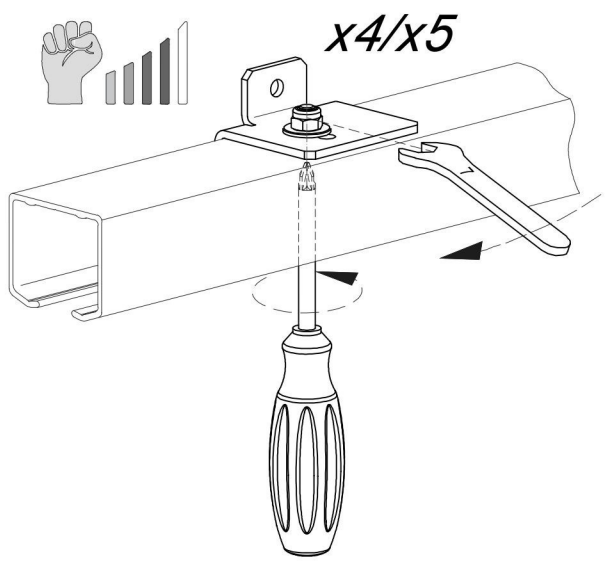
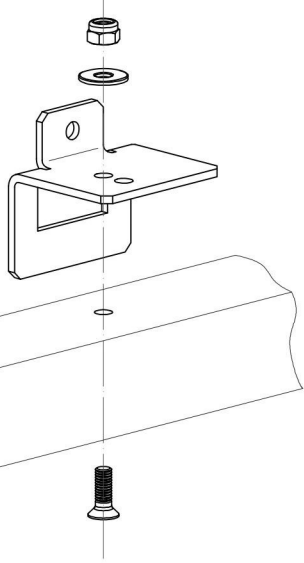
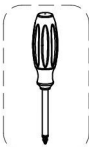


$\varnothing 2 \times 10$

$\varnothing 4 \times 16$



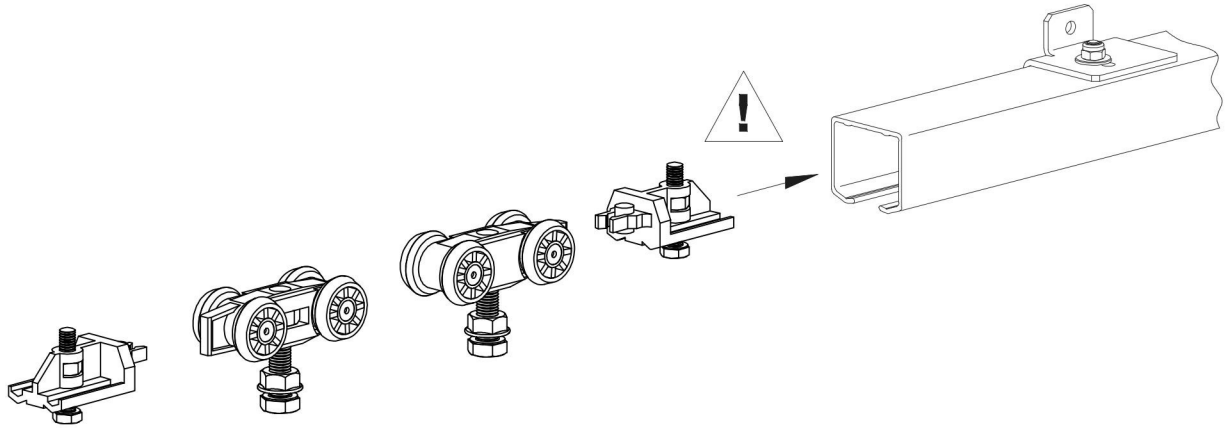
5



x4/x5



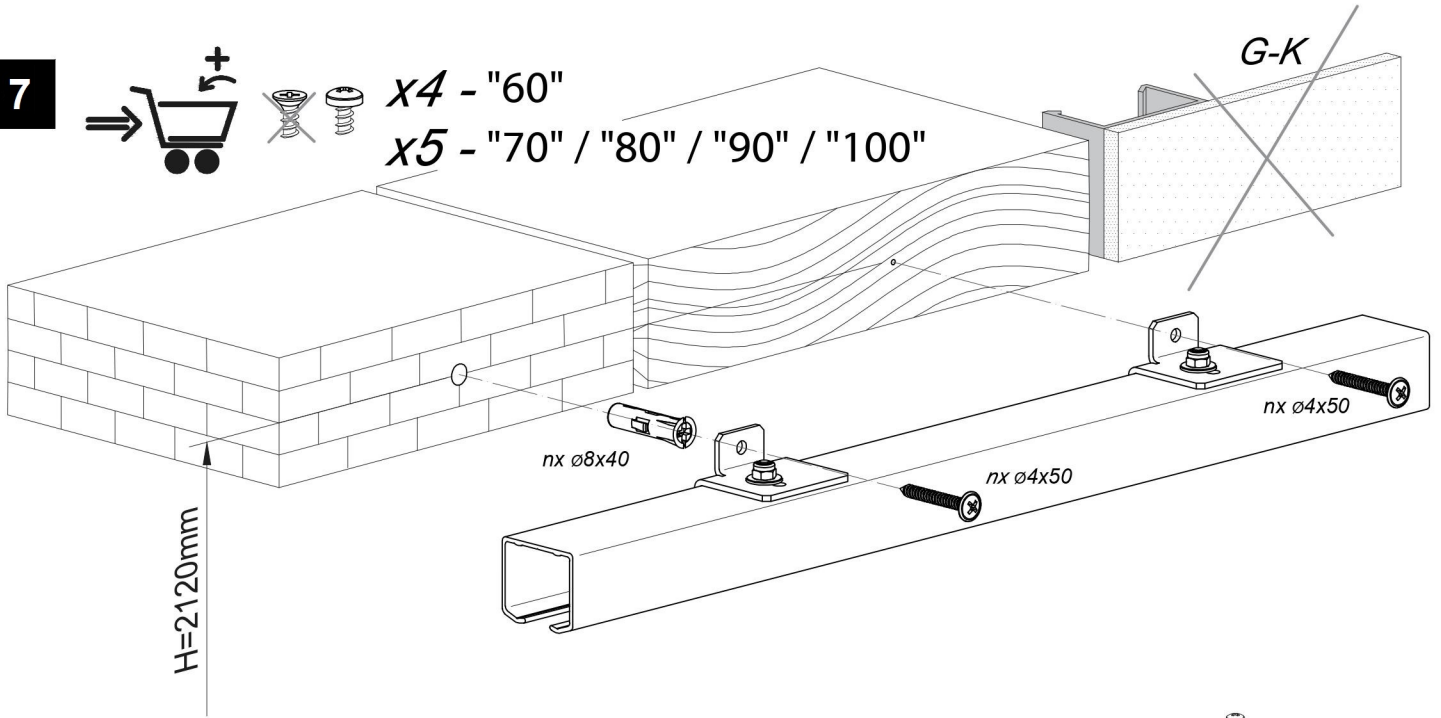
6



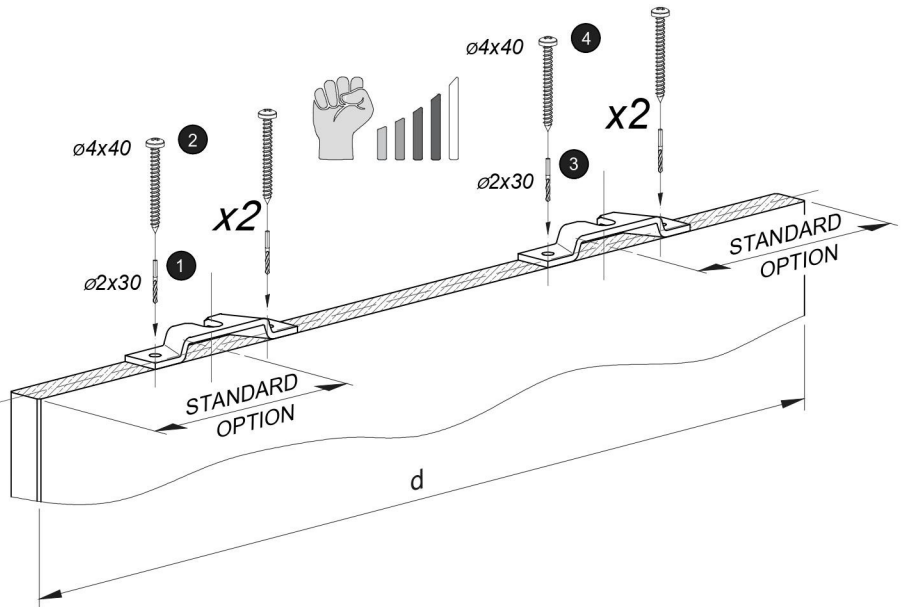
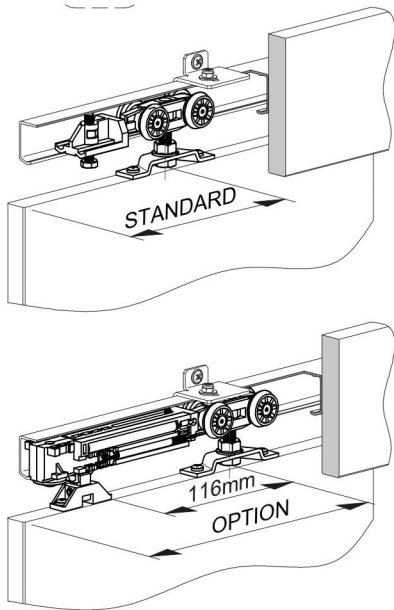
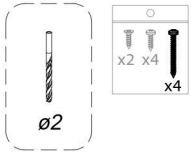
7



x4 - "60"
x5 - "70" / "80" / "90" / "100"



8

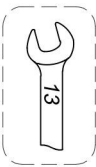


⚠

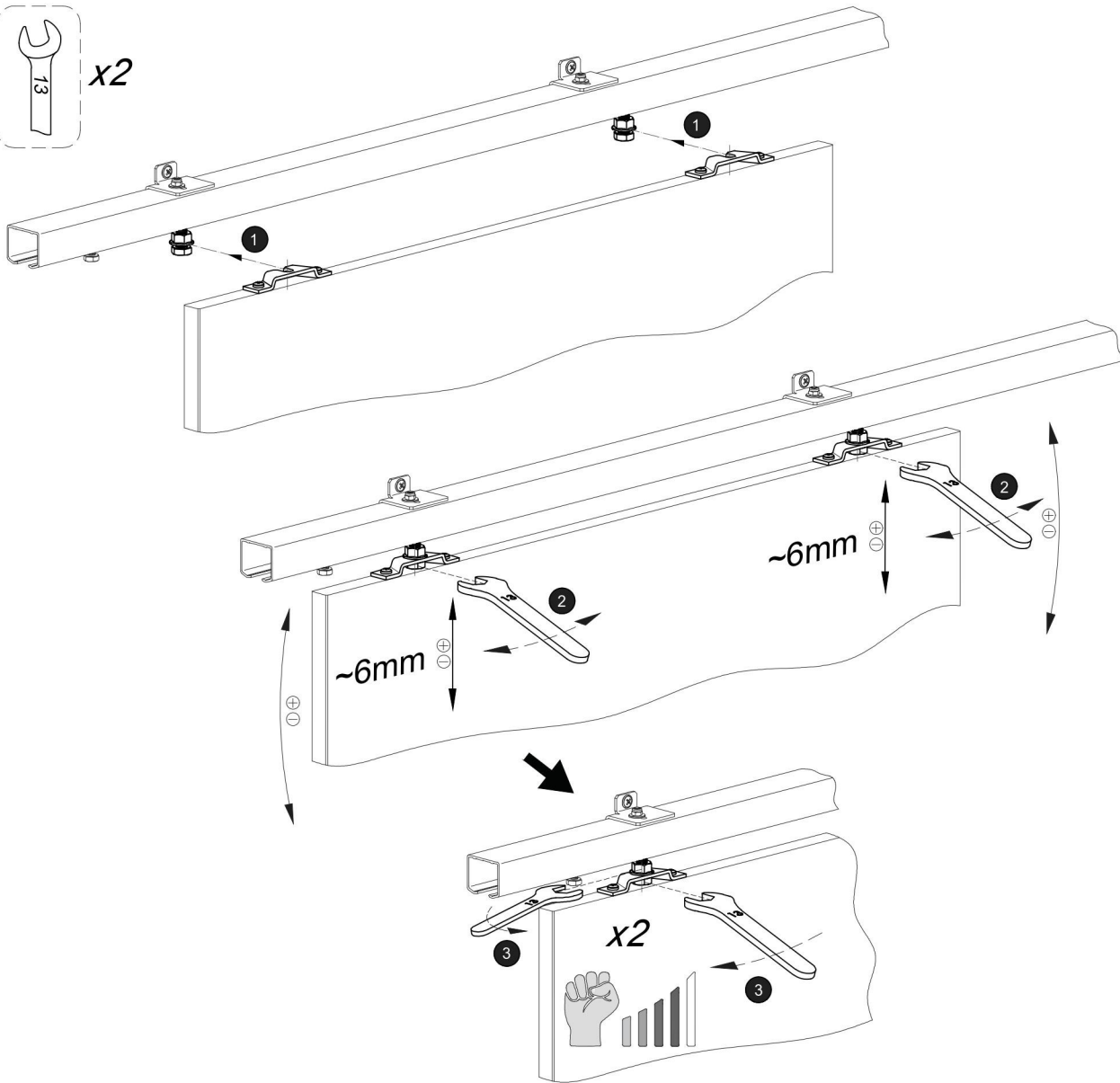
<i>d</i> [mm]	660 "60"	760 "70"	860 "80"	960 "90"	1060 "100"
<i>STANDARD</i> [mm]		100			160
<i>OPTION</i> [mm]		180			210



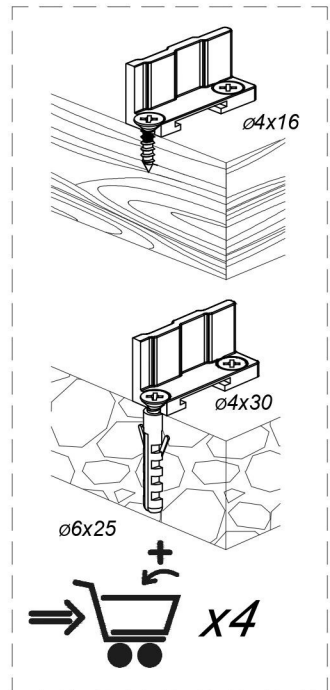
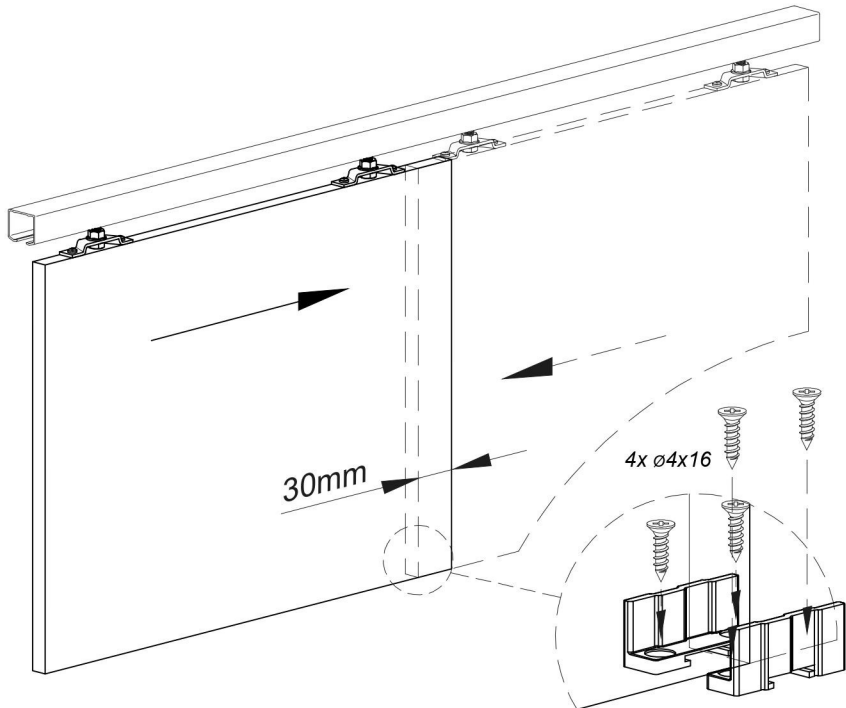
9



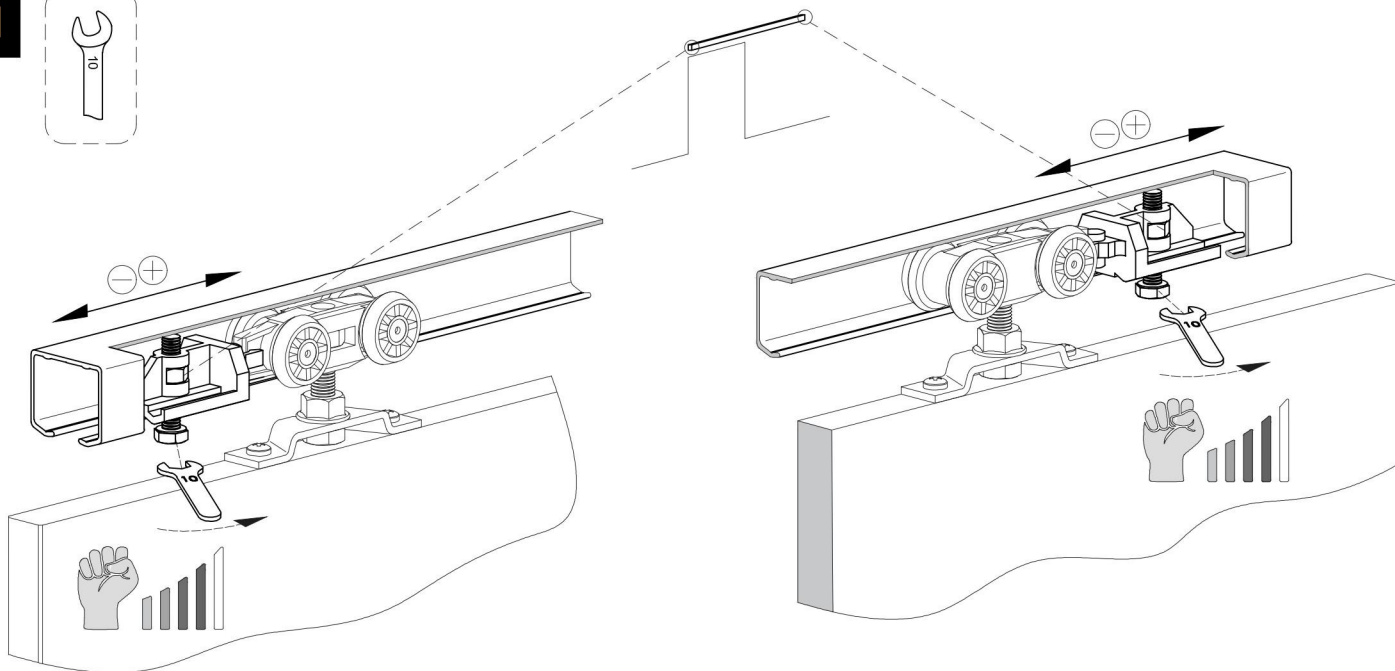
x2



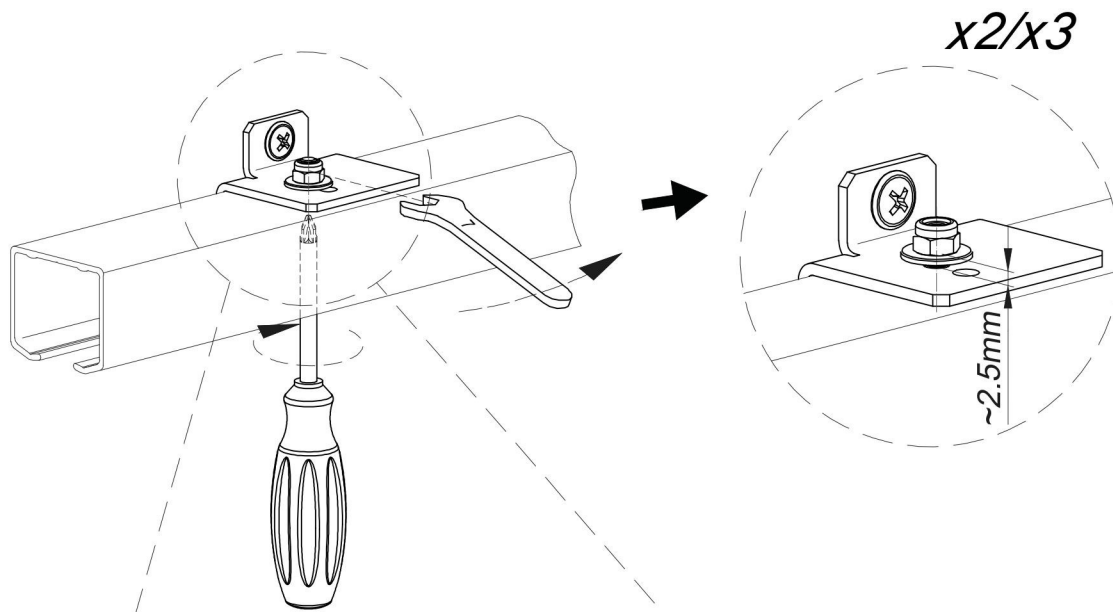
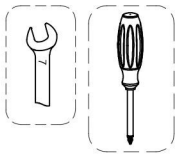
10



11

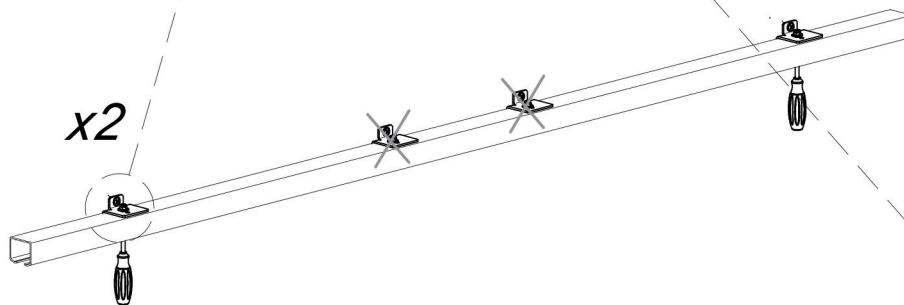


12



12a

"60"



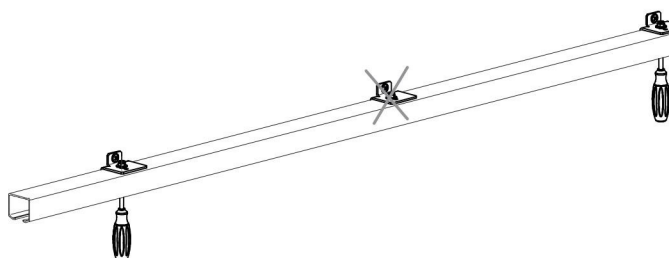
12b

"70" / "80" / "90"

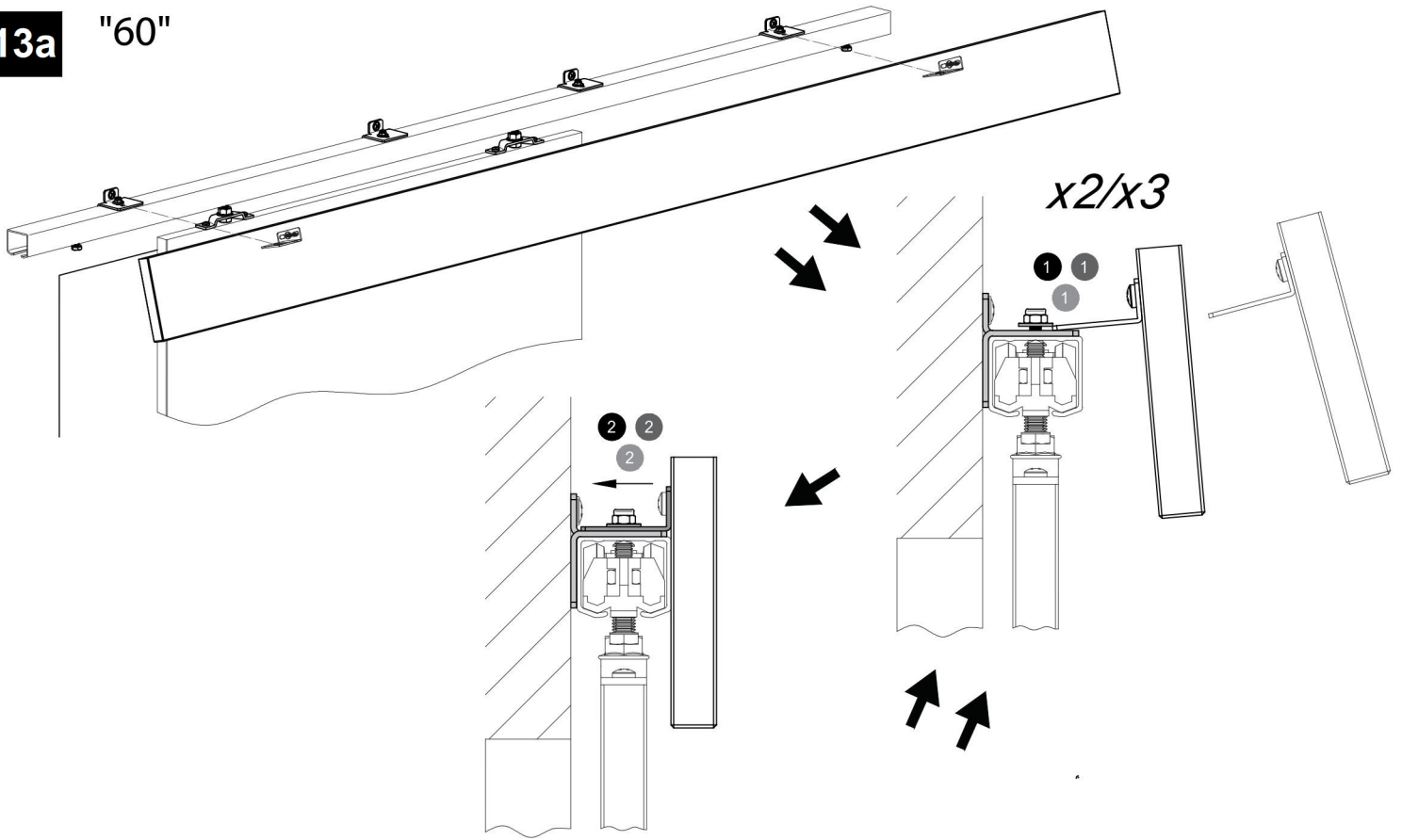


12c

"100"

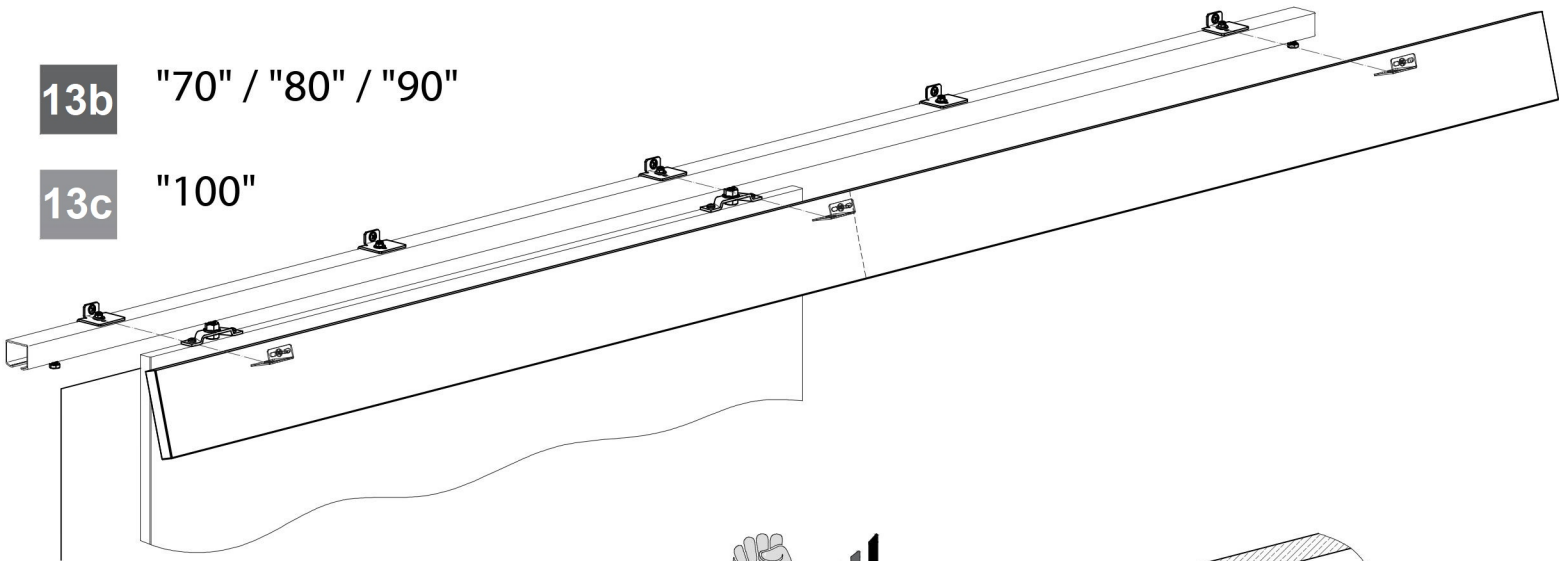


13a "60"

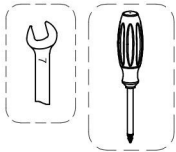


13b "70" / "80" / "90"

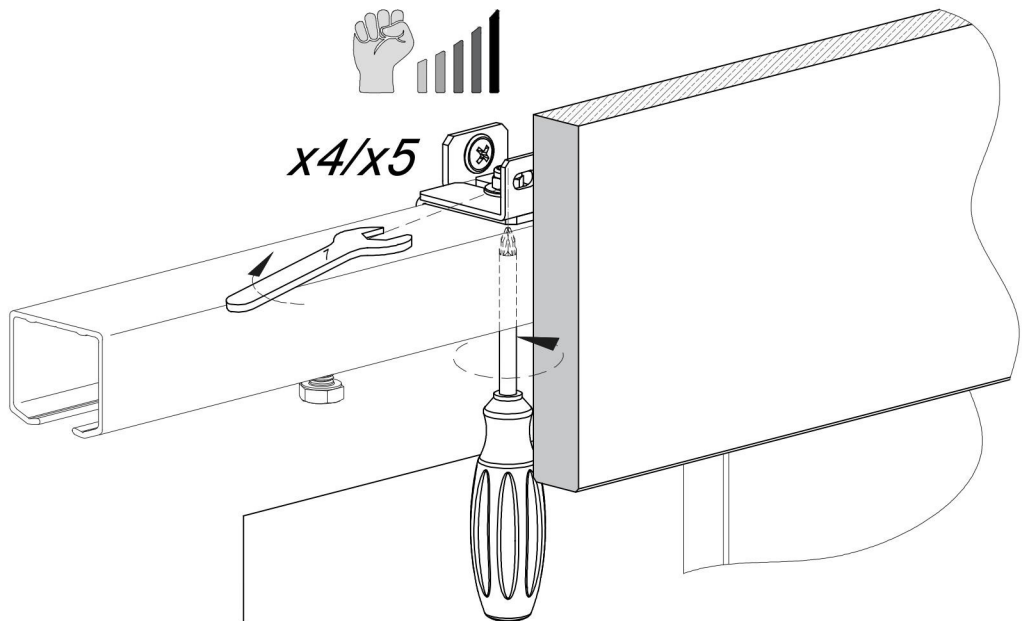
13c "100"



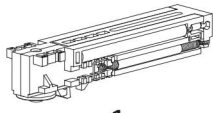
14



x4/x5



Additional Option



x1



x1



x2



#2

x1



#2.5

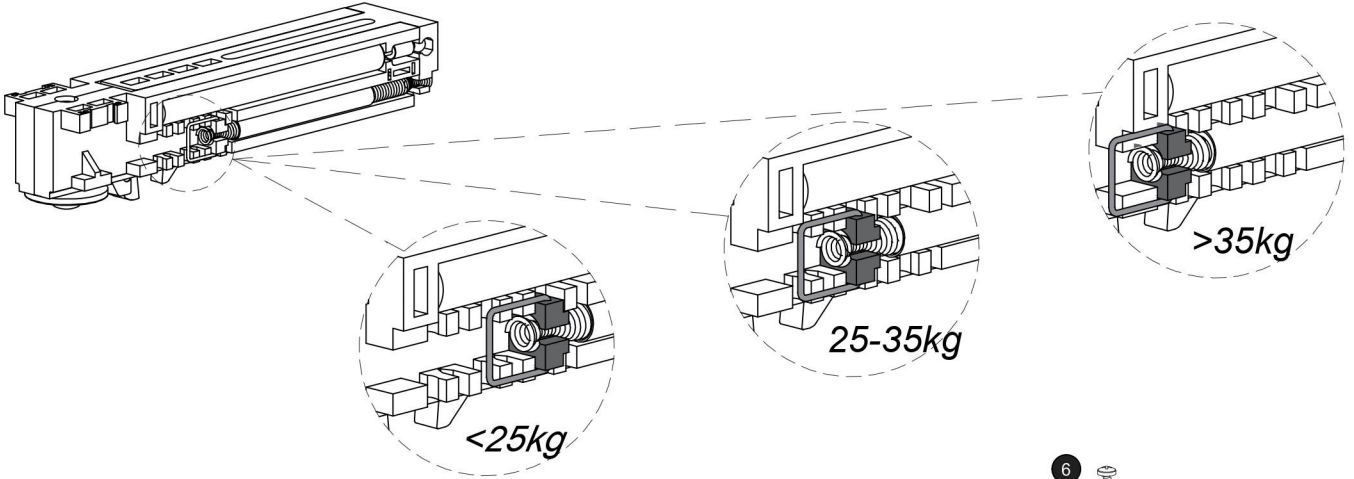
x1



#4

x1

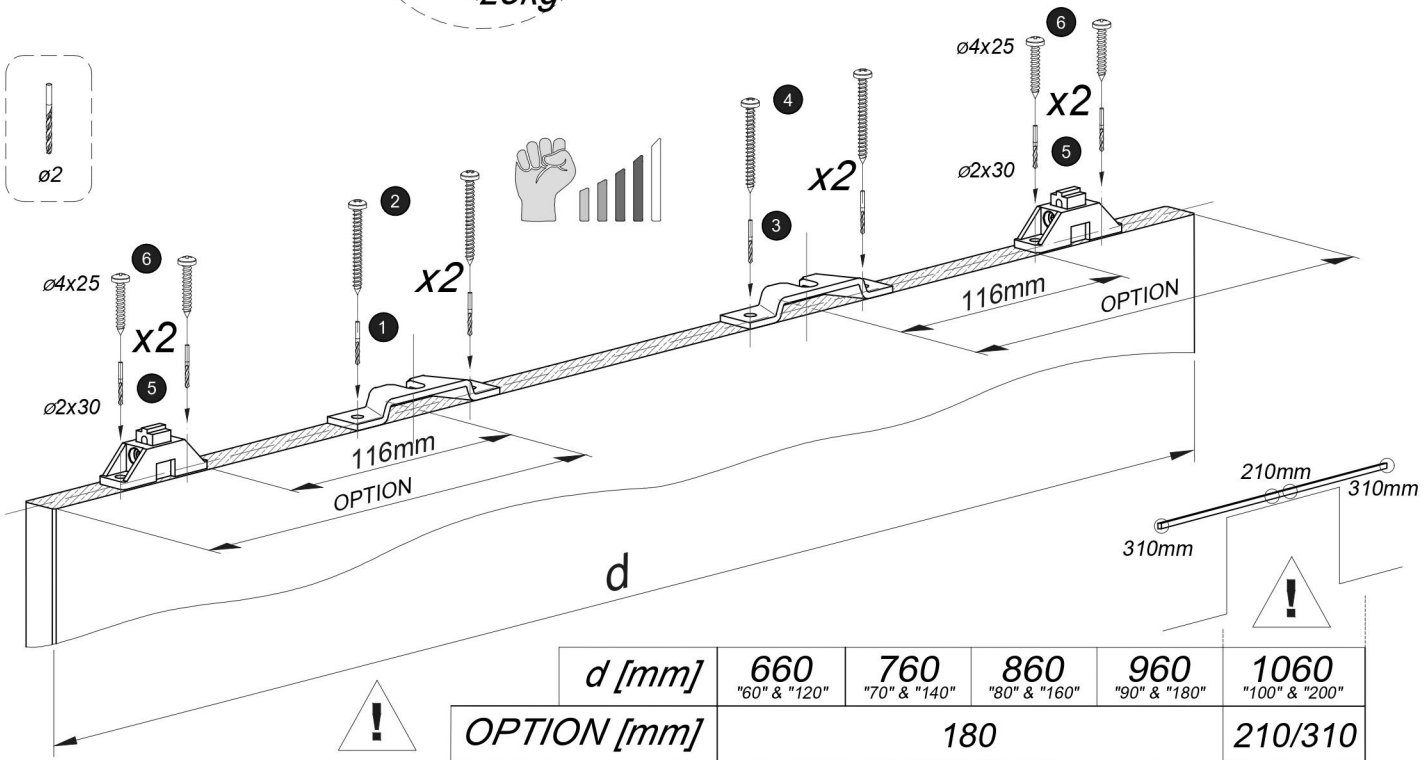
1



2



ø2

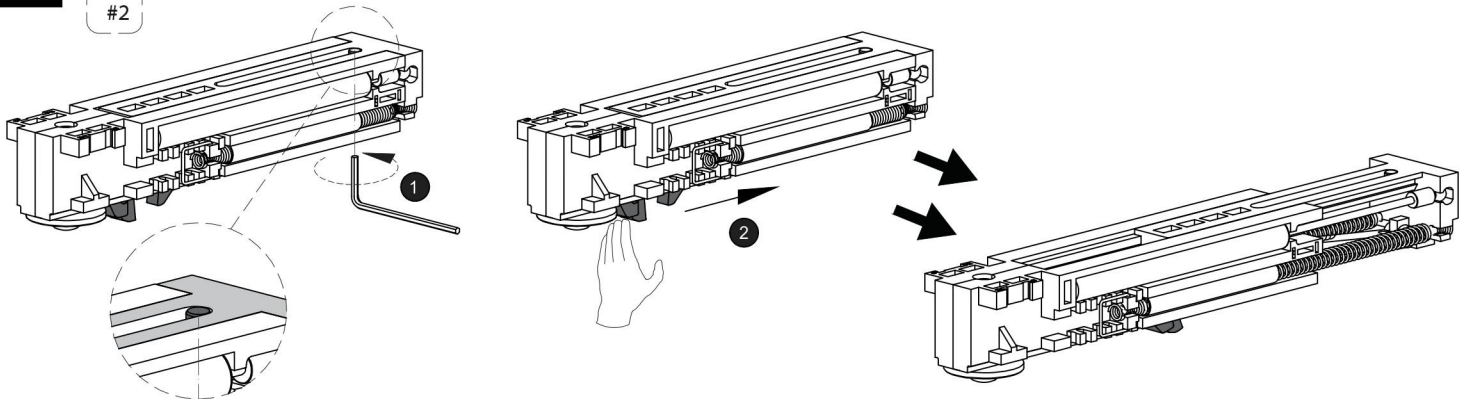


d [mm]	660	760	860	960	1060
	"60" & "120"	"70" & "140"	"80" & "160"	"90" & "180"	"100" & "200"
OPTION [mm]	180				210/310

3



#2



Additional Option

