

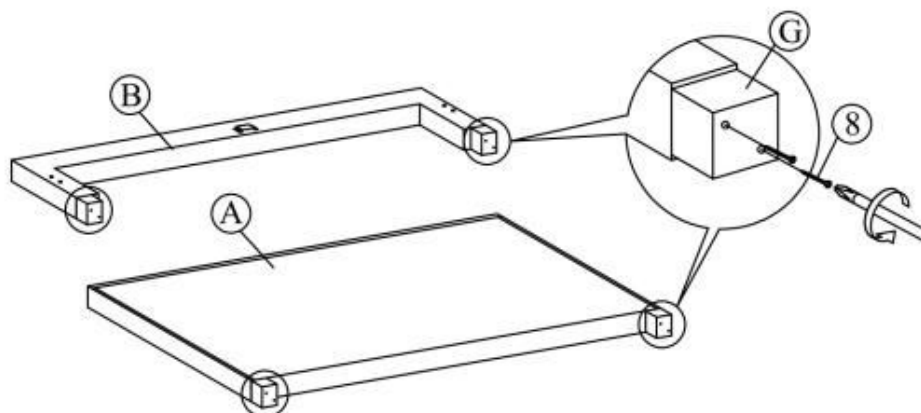
GRACE 160

| | | | | | |
|--|--|--|--|---------------------------------------|--|
| A (1 PC) | B (1 PC) | C (2 PCS) | D (1 PC) | E (2 PCS) | F (4 PCS) |
| G (4 PCS) | H (1 PC) (WITH LABEL 1) | I (1 PC) (WITH LABEL 2) | J (6 PCS) (WITH LABEL 3) | K (1 PC) (WITH LABEL 4) | L (2 PCS) (WITH LABEL 5) |
| M (2 PCS) (WITH LABEL 6) | N (2 PCS) (WITH LABEL 7) | O (7 PCS) (WITH LABEL 8) | P (4 PCS) (WITH LABEL 9) | Q (28 PCS) | |

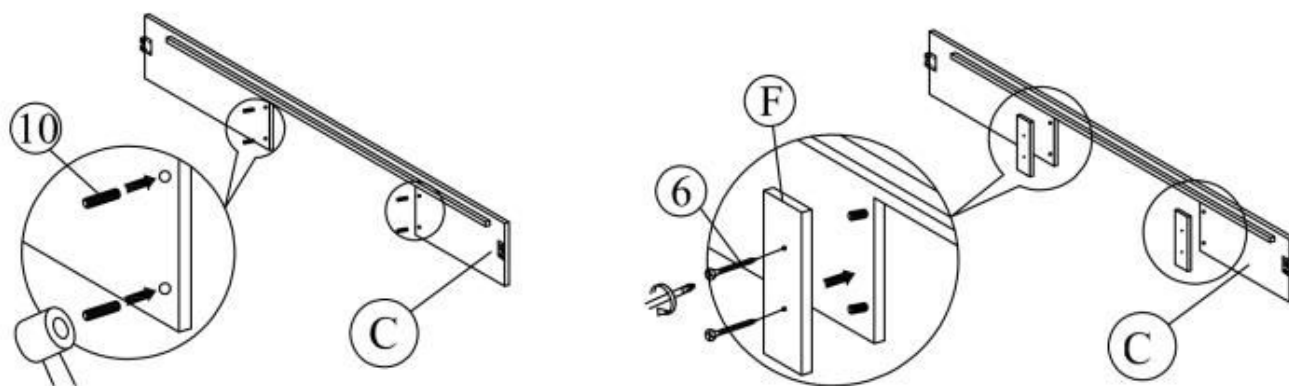
| | | | | |
|---|--|---|--|---|
| 1 JCBC M6 X 40mm(2 PCS) R | 2 JCBB M8 x 20 mm (8pcs) S | 3 ALLEN KEY M4 X 65mm (1 PC) | 4 ALLEN KEY M5 X 70mm (1 PC) | 5 CSK M3,5 x 16mm (60 PCS) T |
| 6 CSK M4 x 25mm (8 PCS) U | 7 CSK M4 x 32mm (36 PCS) V | 8 CSK M4 x 50mm (32 PCS) W | 9 ROLLER (14 PCS) X | 10 WOOD DOWEL 20MM (8 PCS) Y |
| 11 Power Nail 6/8 (24 PCS) Z | 12 Adjuster 35mm (2 PCS) Z1 | 13 (6 PCS) Z2 | 14 (14 PCS) Z3 | 15 (28 PCS) Z4 |

GRACE

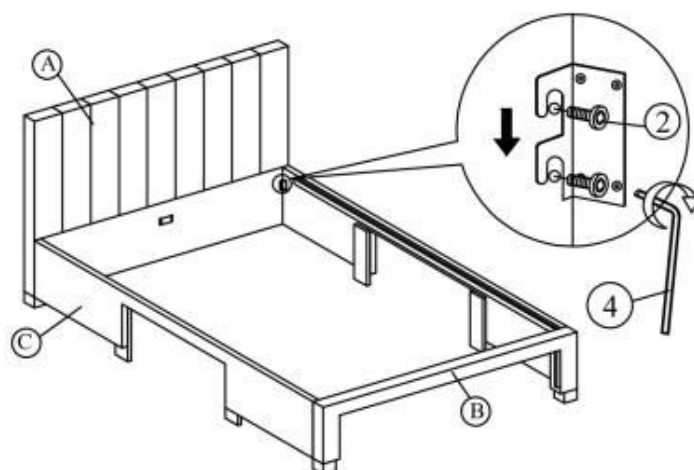
1



2



3



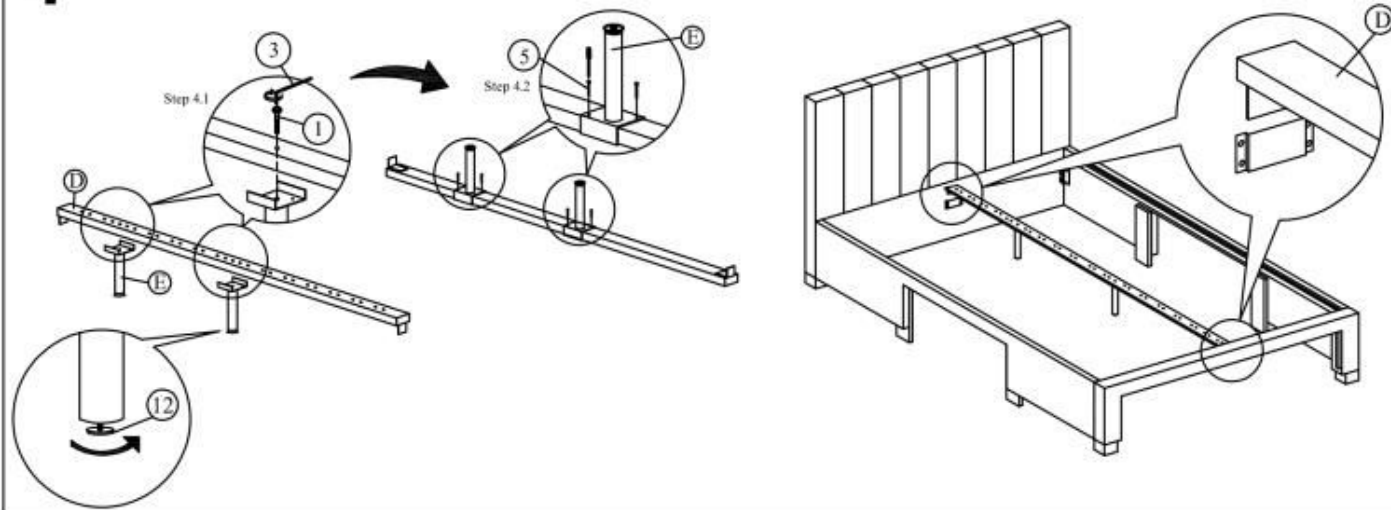
HALMAR SP.z o. o .

ul. Centralnego Okregu Przemyslowego 2, 37-450 Stalowa Wola, POLSKA / POLAND
tel.+48 15 843 28 10, fax:+48 15 842 19 57 , e-mail: office @halmar .com.pl

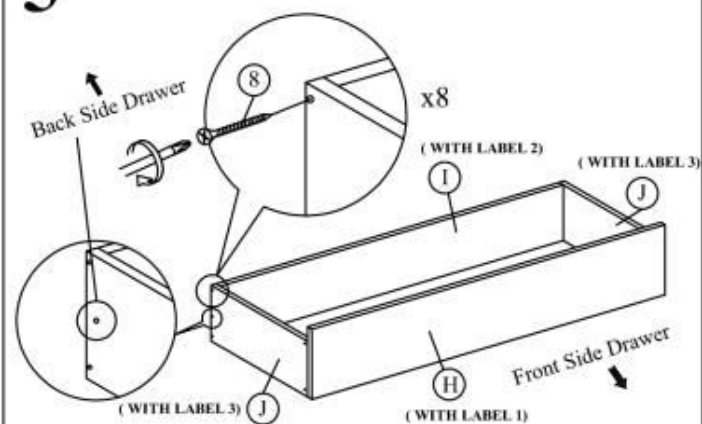
2/4

GRACE

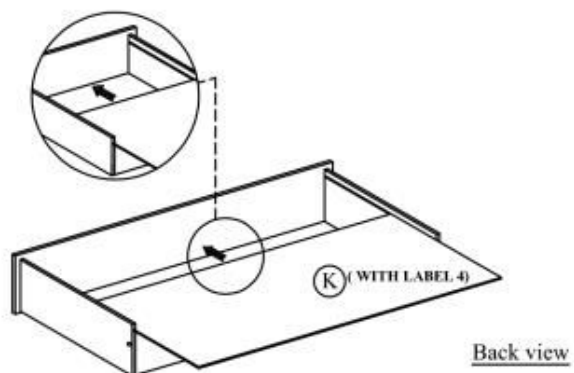
4



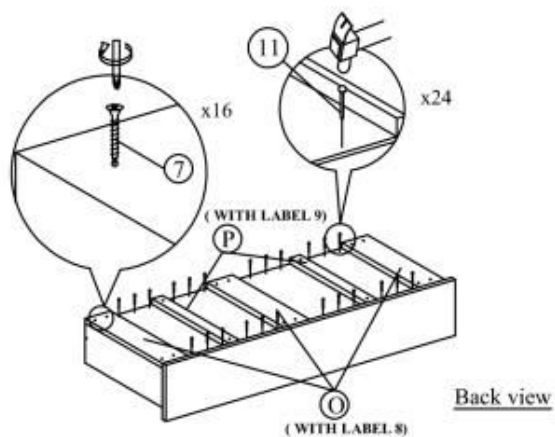
5



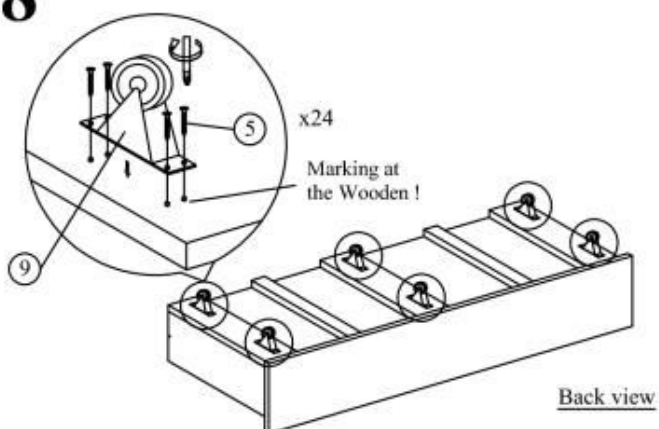
6



7

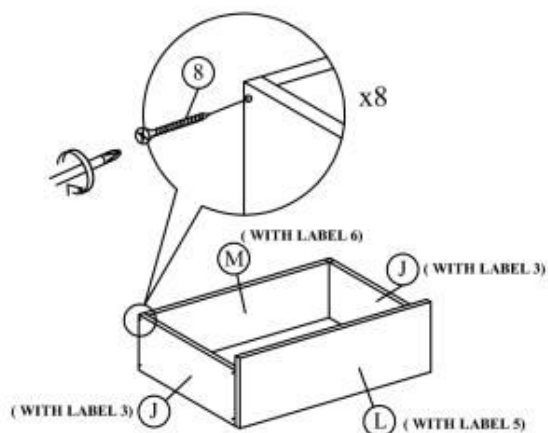


8

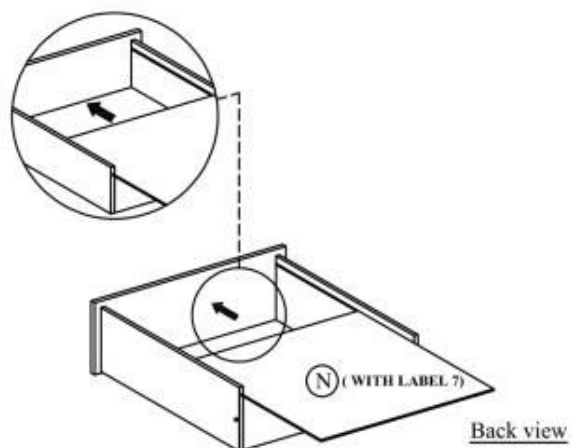


GRACE

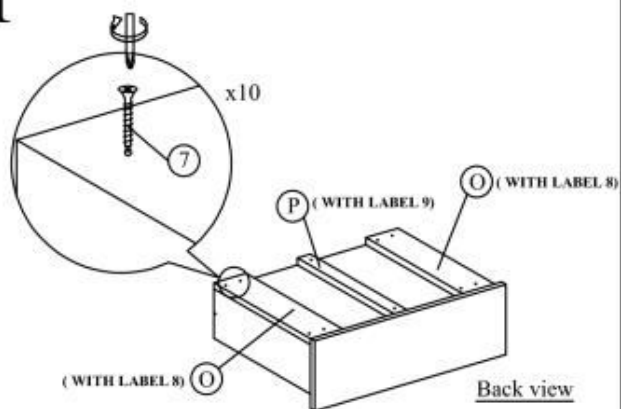
9



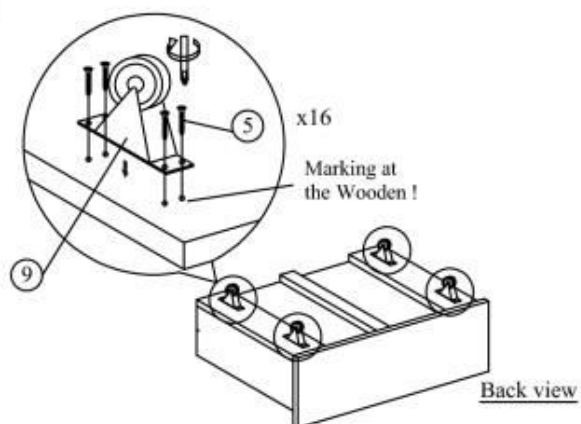
10



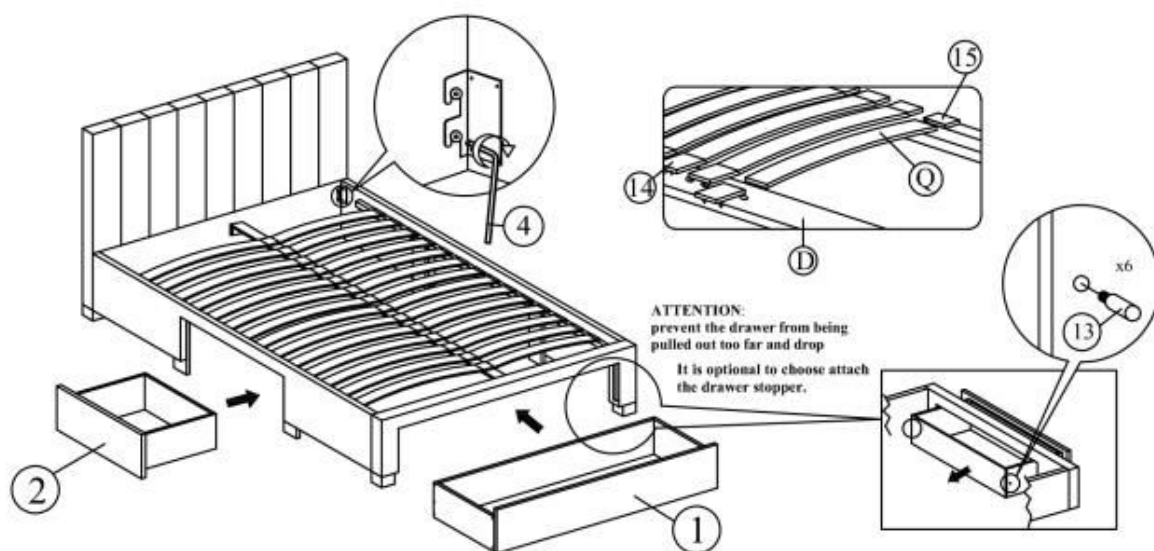
11



12



13



HALMAR SP.z o.o.

ul. Centralnego Okregu Przemysłowego 2, 37-450 Stalowa Wola, POLSKA / POLAND
tel.+48 15 843 28 10, fax:+48 15 842 19 57, e-mail: office@halmar.com.pl

4/4