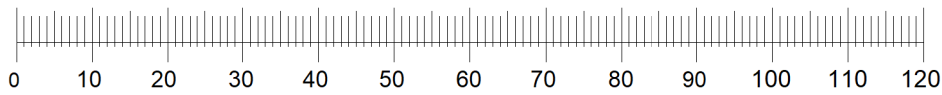
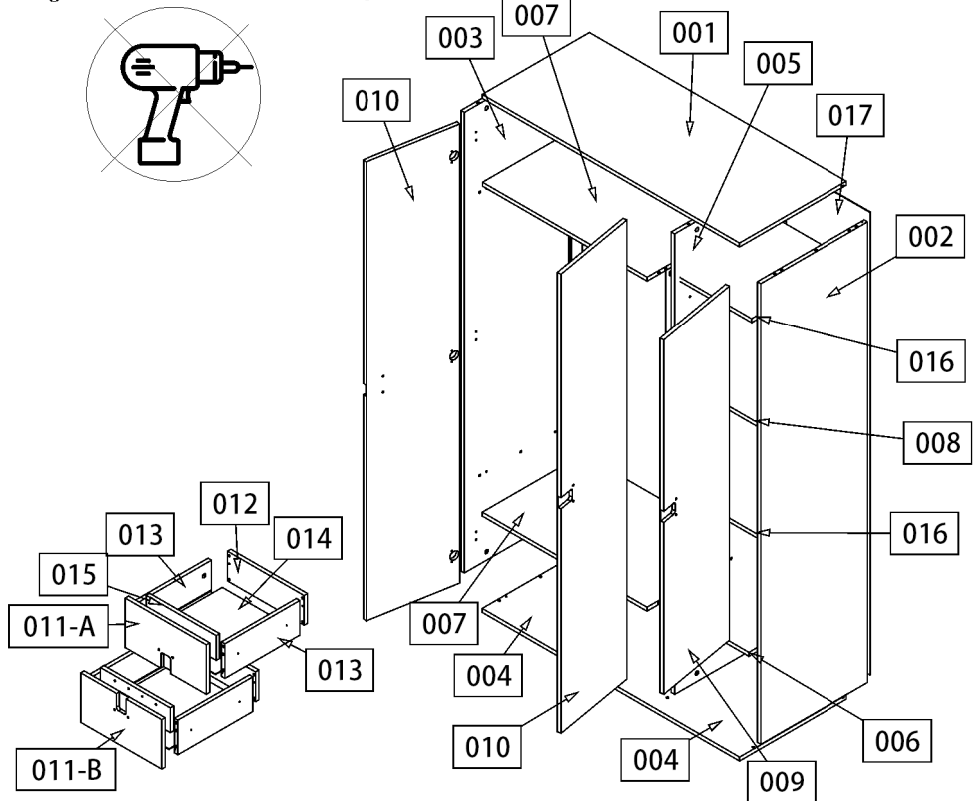
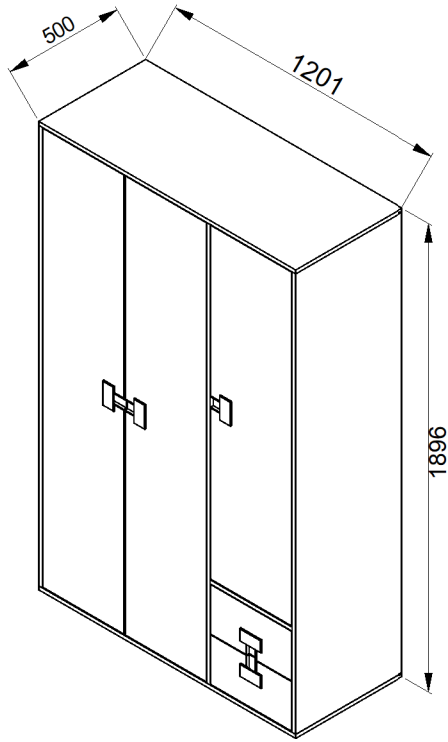
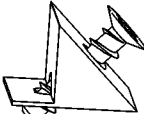
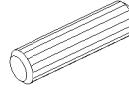
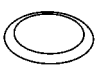
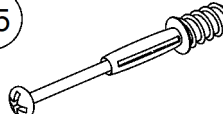
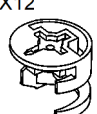

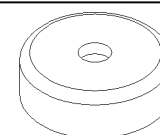
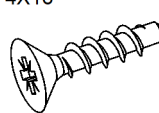
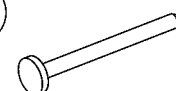
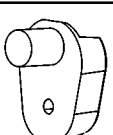

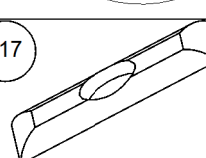
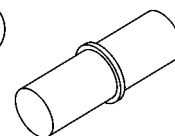
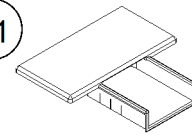
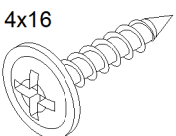
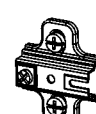
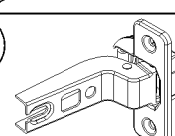

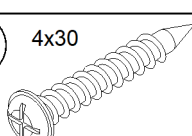
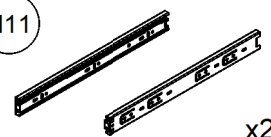

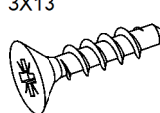
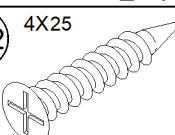


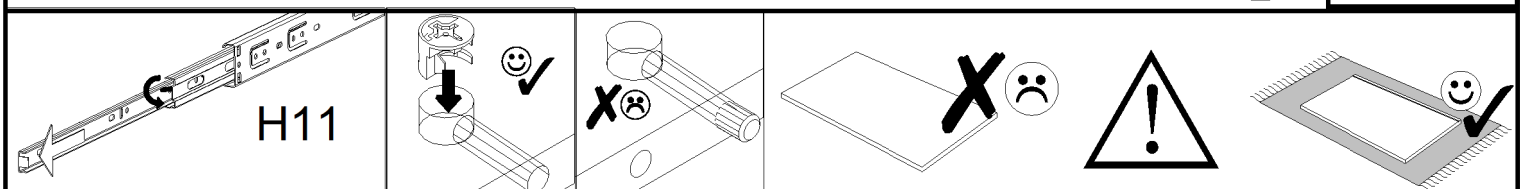
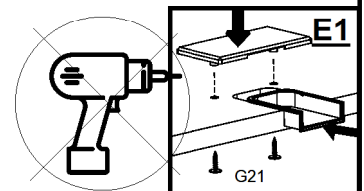
INDEX 04



SZAFA 120

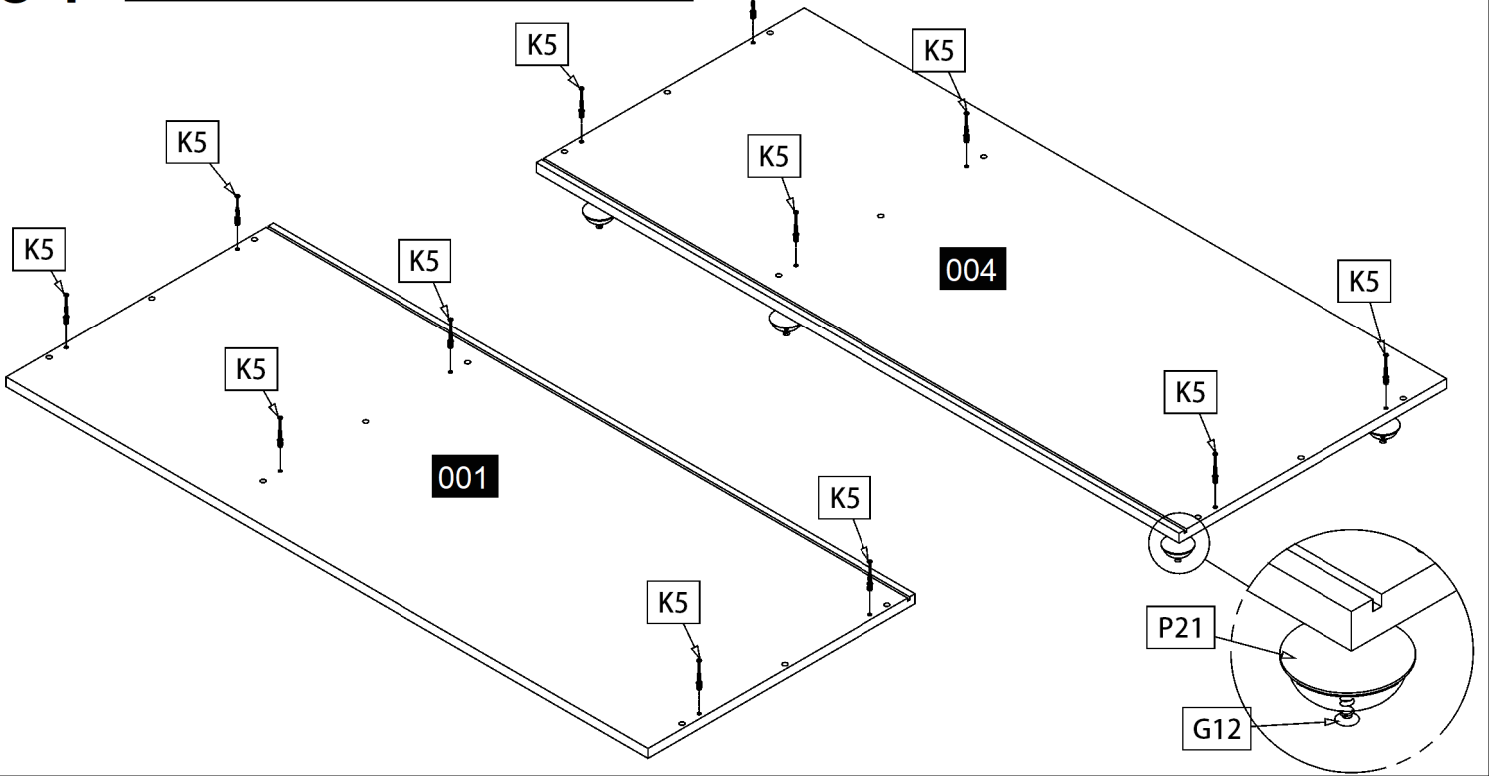


I1  x22	B7 Ø8X30  x58	K1z  x36	K5  x36	K1 Ø15X12  x36
R2  x1	P21  x6	G4 4X16  x18	W4  x45	S4  x2
S5  L=764	S17  x12	F2  x8	E1  x5	G21 4x16  x6
D1  x9	C2  x9	S1  L=1862	G8 4x30  x4	H11  x2
G20 5X13  x16	G6 3X13  x2	G12 4X25  x10		



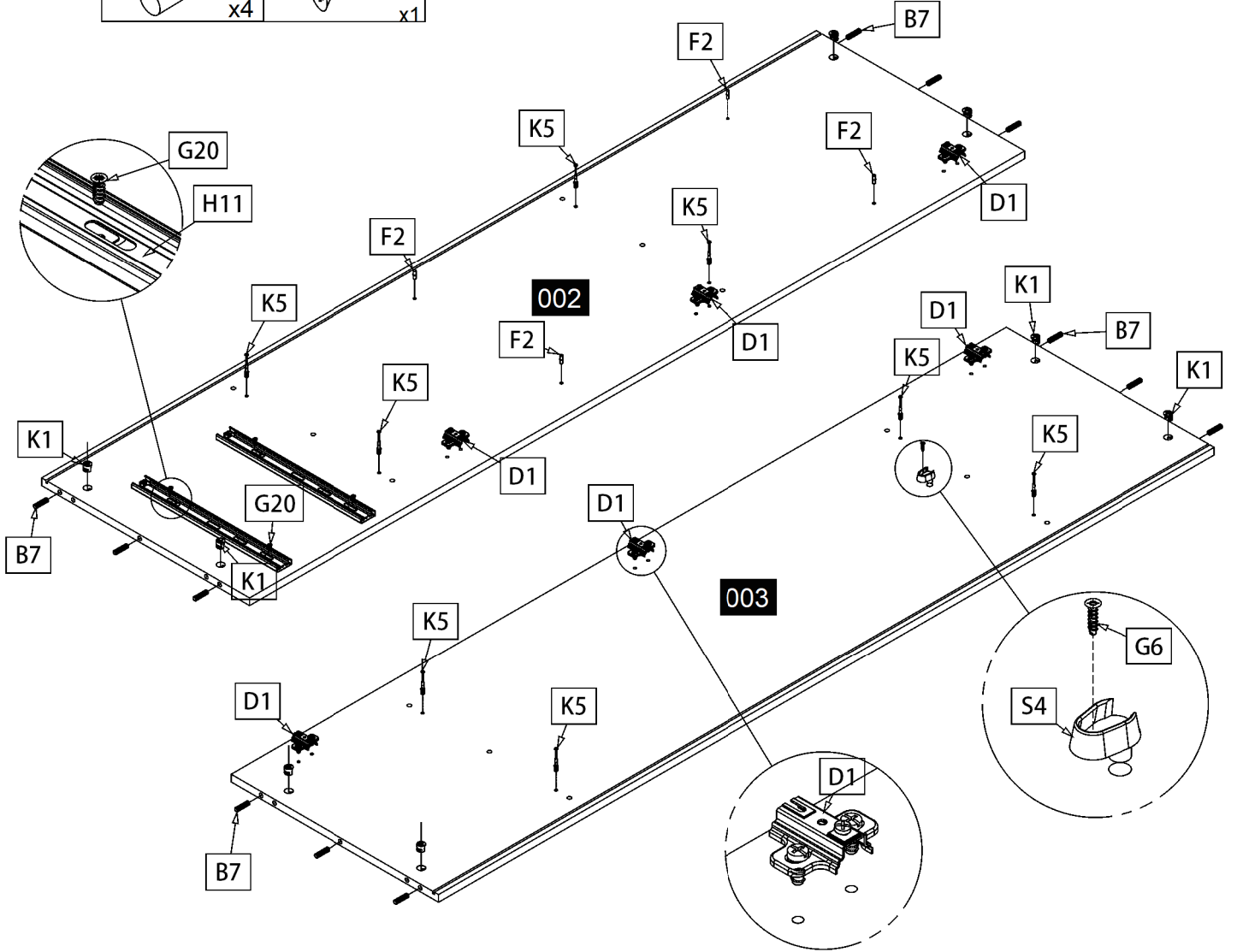
01

- K5 x12
- P21 x6
- G12 4X25 x6

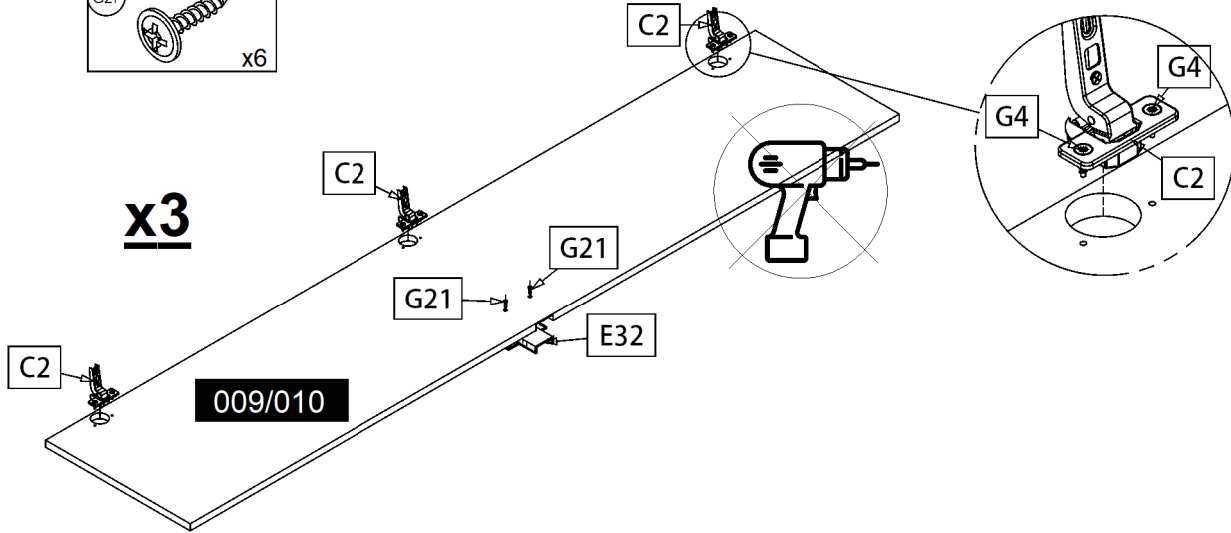
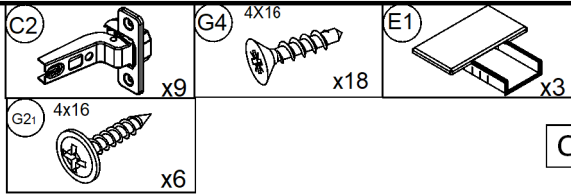


02

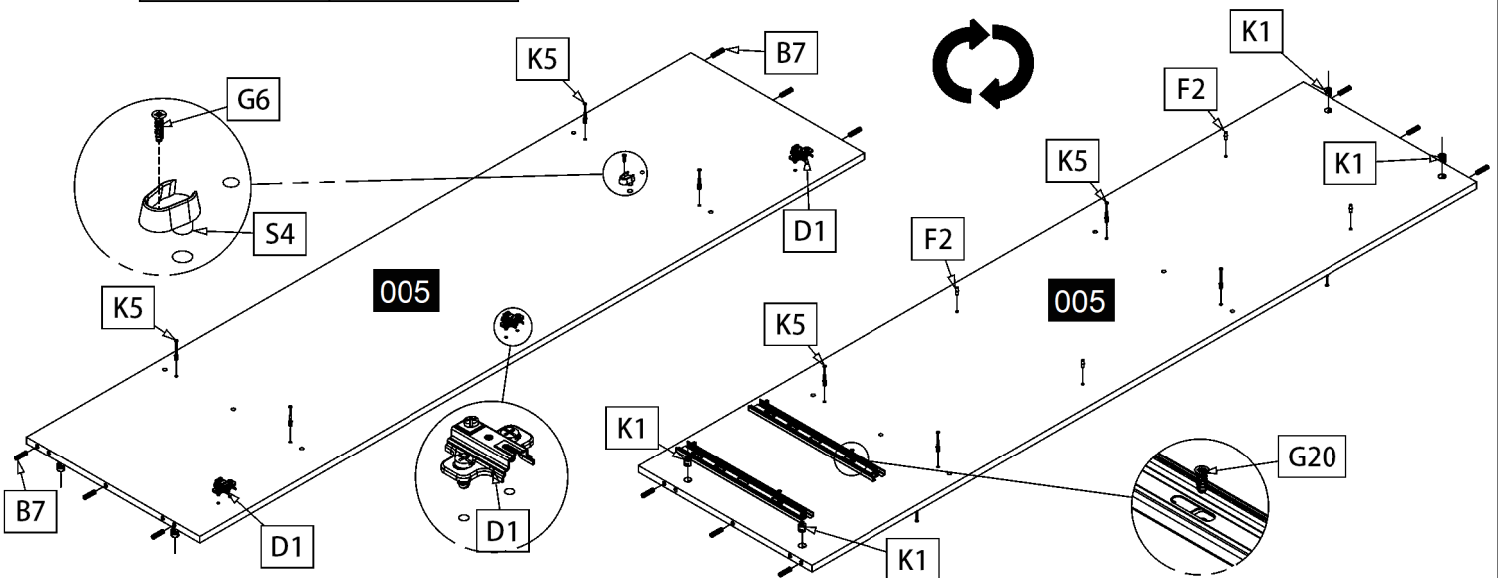
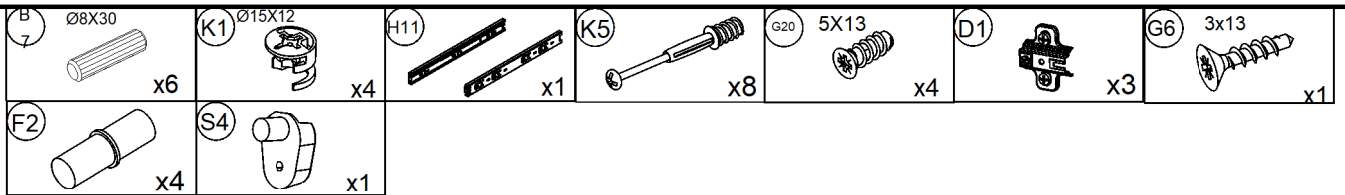
- K5 x8
- D1 x6
- K1 Ø15X12 x8
- S4 x1
- B7 Ø8X30 x12
- G20 5X13 x4
- H11 x1
- F2 x4
- G6 3x13 x1



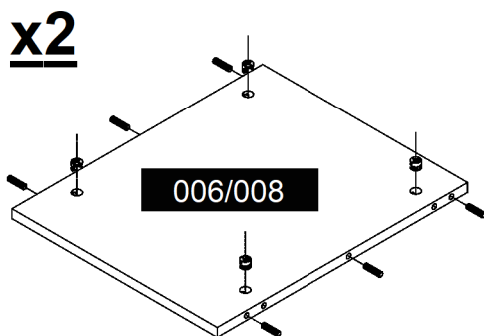
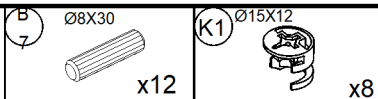
03



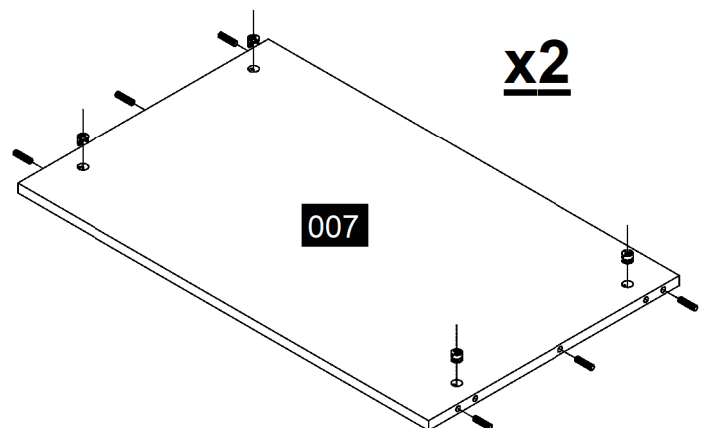
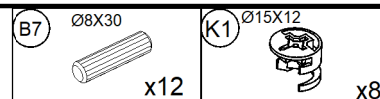
04



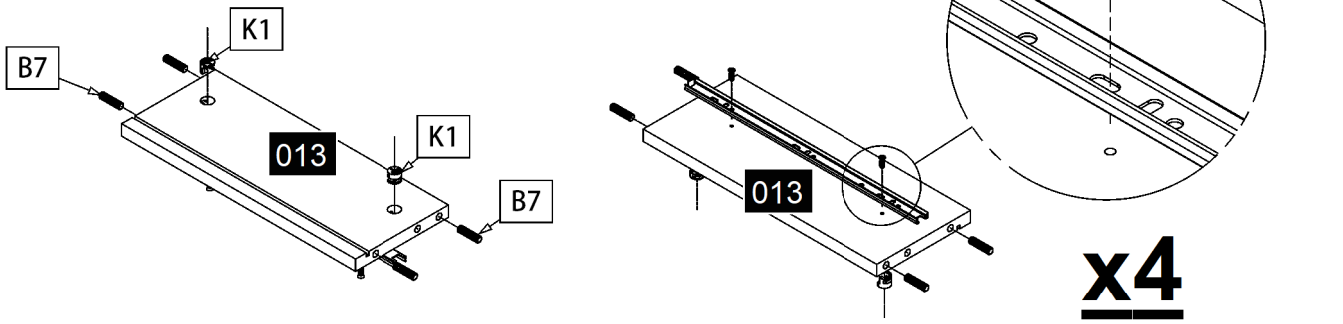
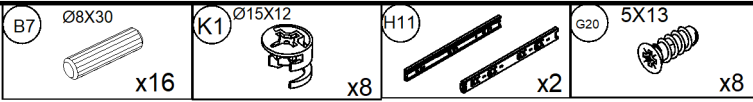
05



06

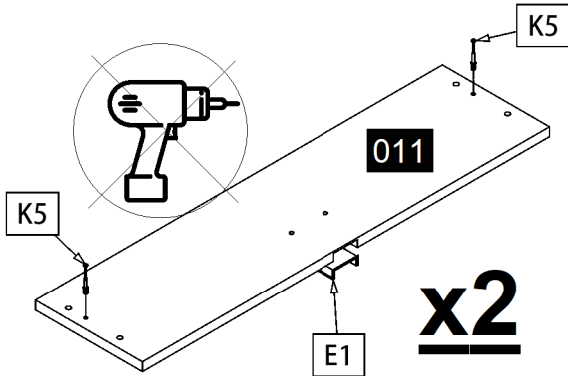
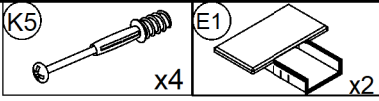


07



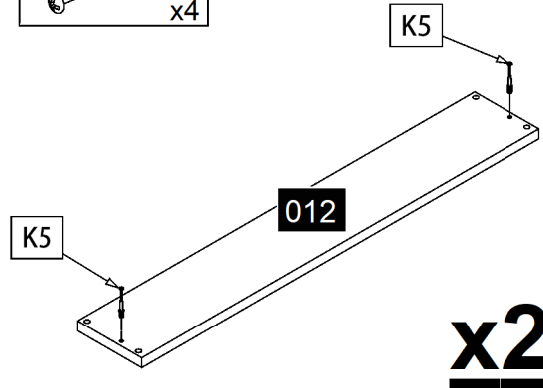
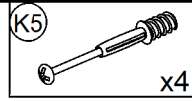
x4

08



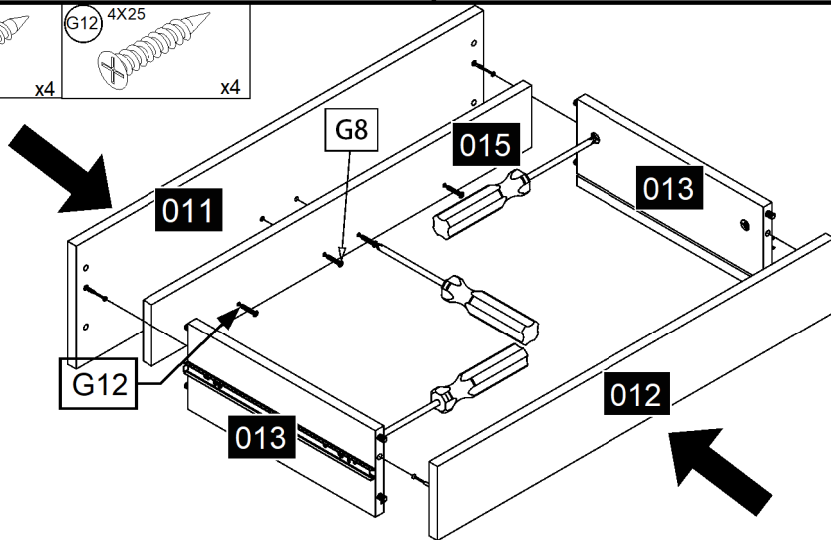
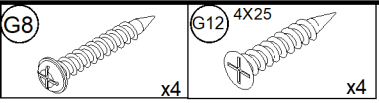
x2

09



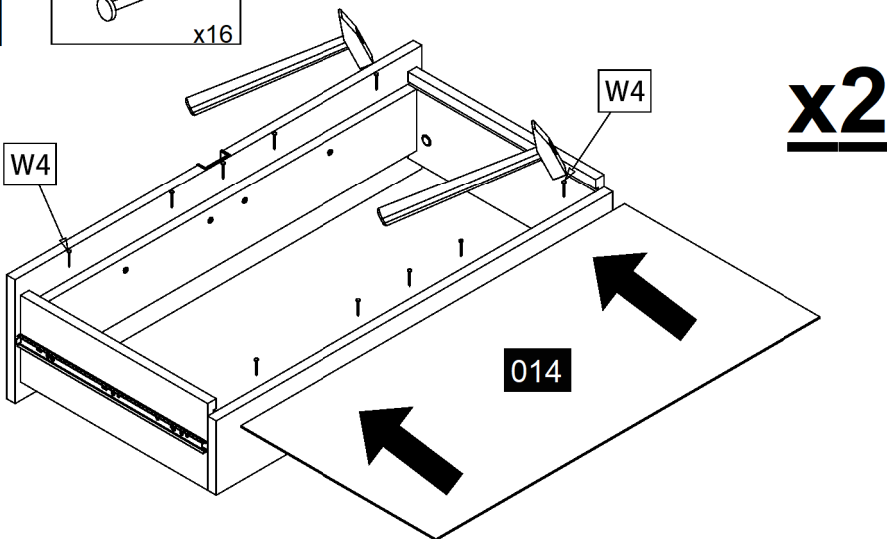
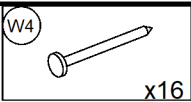
x2

10

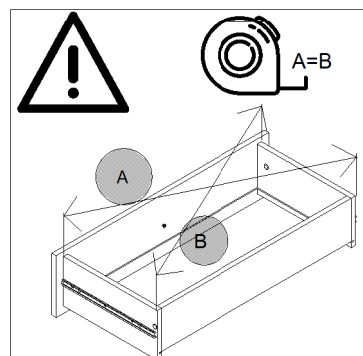


x2

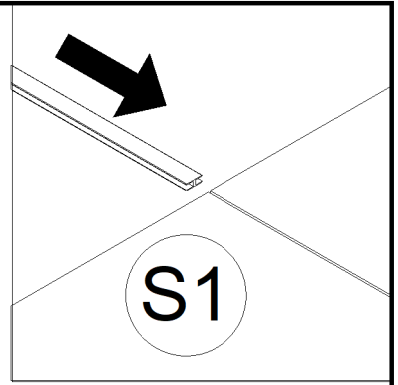
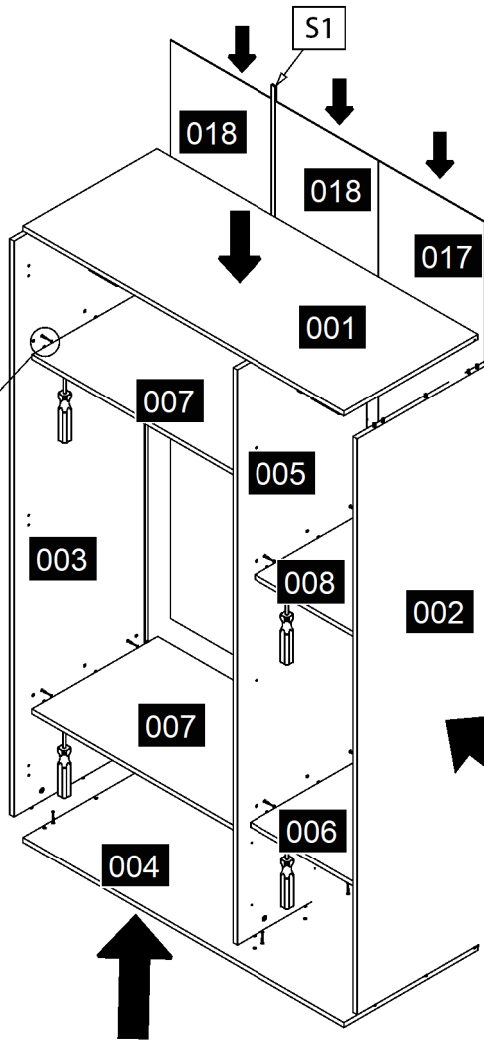
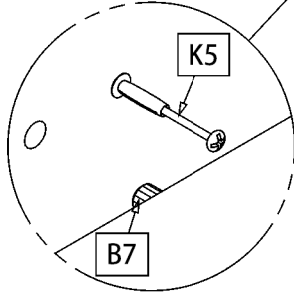
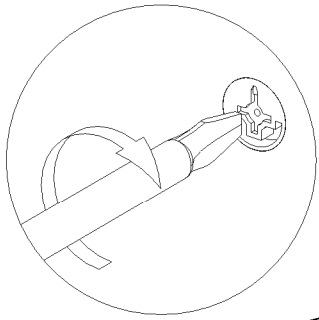
11



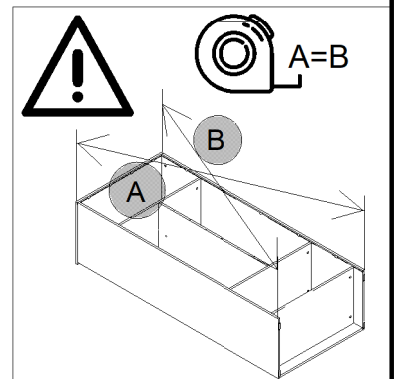
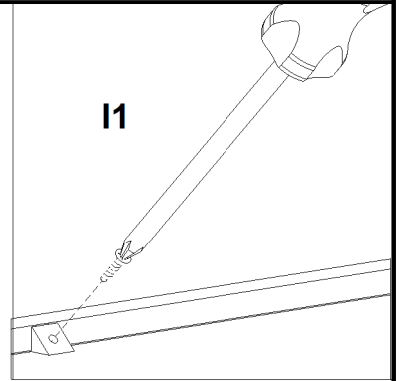
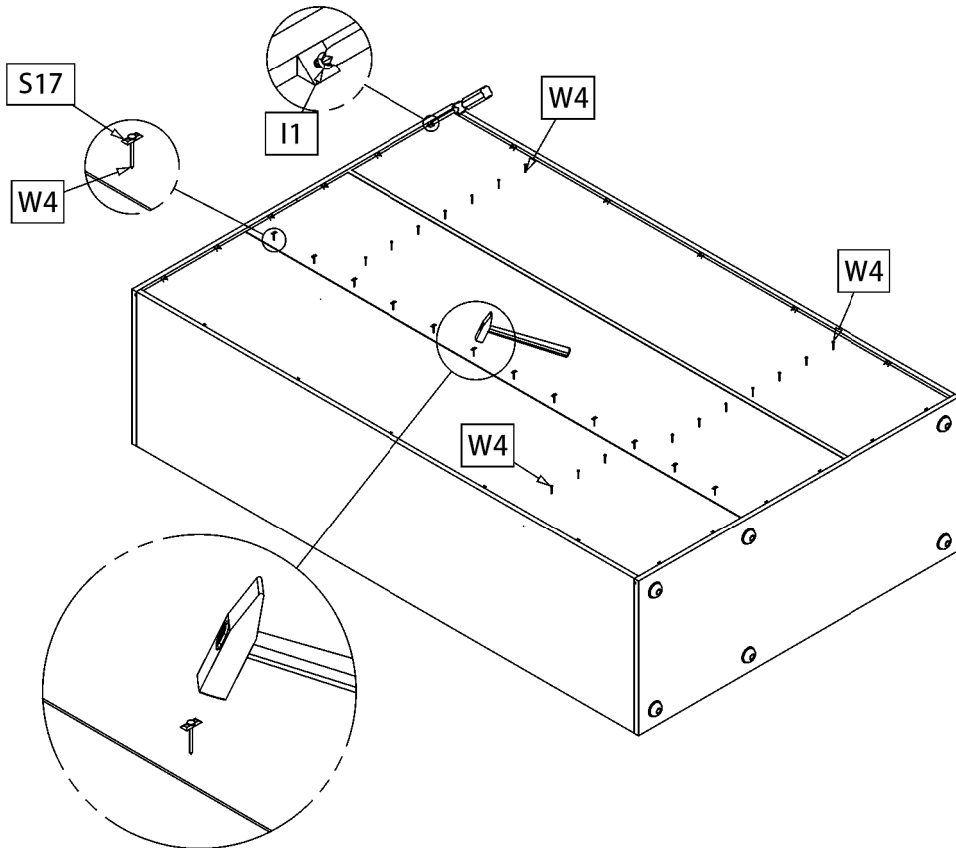
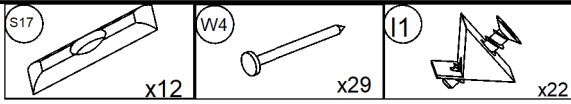
x2



12



13



14

