

A



M6\*13 x4

B



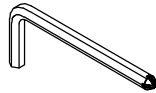
M6\*35 x2

C



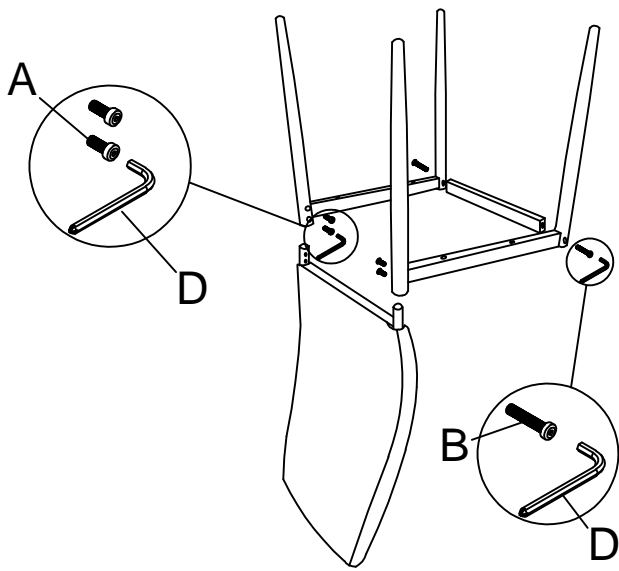
M4\*45 x4

D

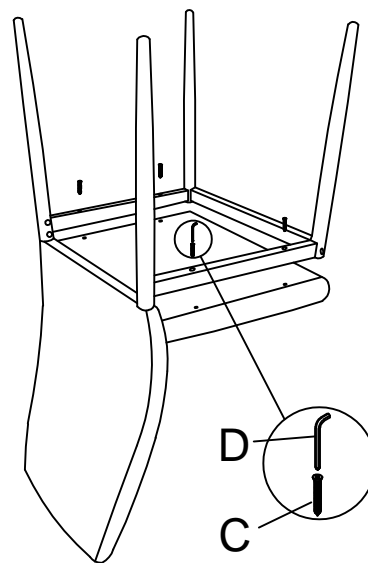


x1

1



2



3

