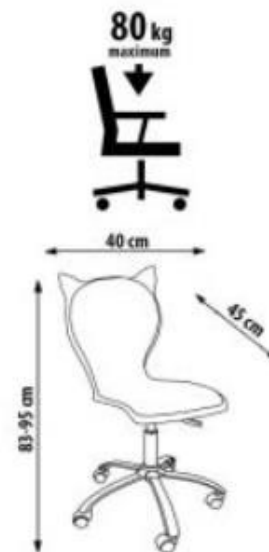
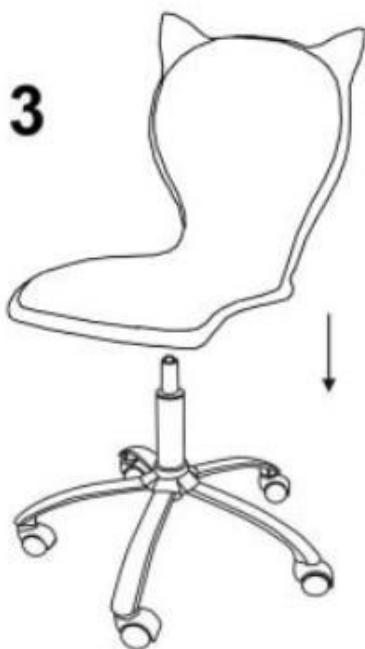
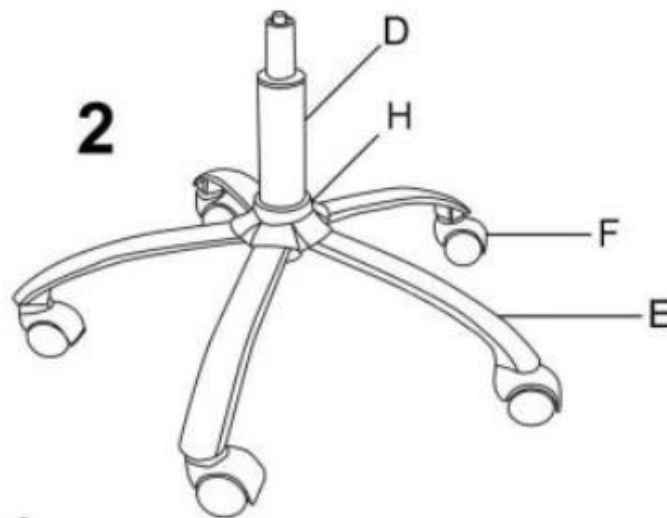
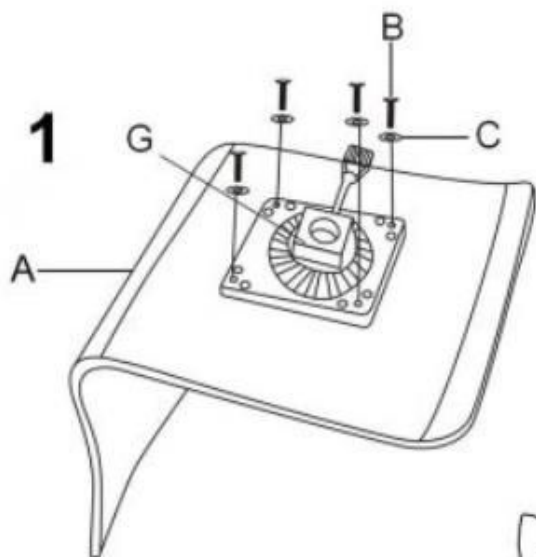


KITTY II

26405-CAT



A		1	F		5
B	4x10mm	4	G		1
C		4	H		1
D		1			
E		1			