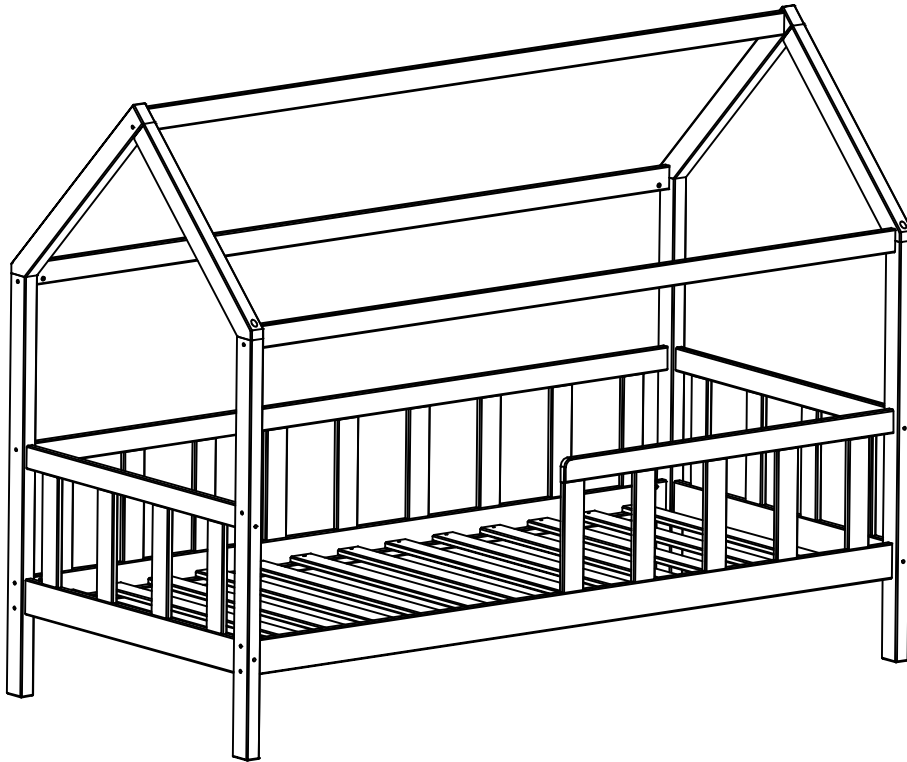







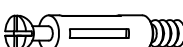





HYTTE BETT II



A	 $\varnothing 8 \times 30$	117	G	 4 mm	1
B	 M6 x 80	14	H	 75 x 31 x 16	2
C	 M6 x 10 x 14	14	I	 $\varnothing 30$	4
D	 6,3 x 90	13	K	 $\varnothing 7 \times 34$	2
E	 6,3 x 70	4	L	 $\varnothing 15 \times 13$	2
F	 $\varnothing 3,5 \times 35$	30			

⑬ 40x60x1070 - 2 ⑭ 40x60x1070 - 2

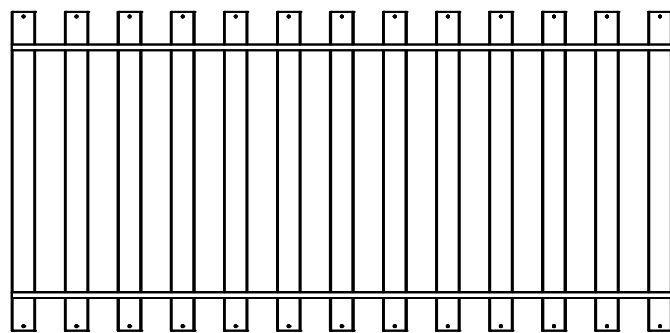
⑧ 20x60x2000 - 3

⑮ 20x90x2000 - 1

⑯ 20x90x2000 - 1

⑱ 20x60x2000 - 1

⑲ 20x60x1033 - 1 ⑰ 20x60x860 - 2



⑩ 16x896x1854 - 1

④ 40x60x651 - 1

⑤ 40x60x651 - 1

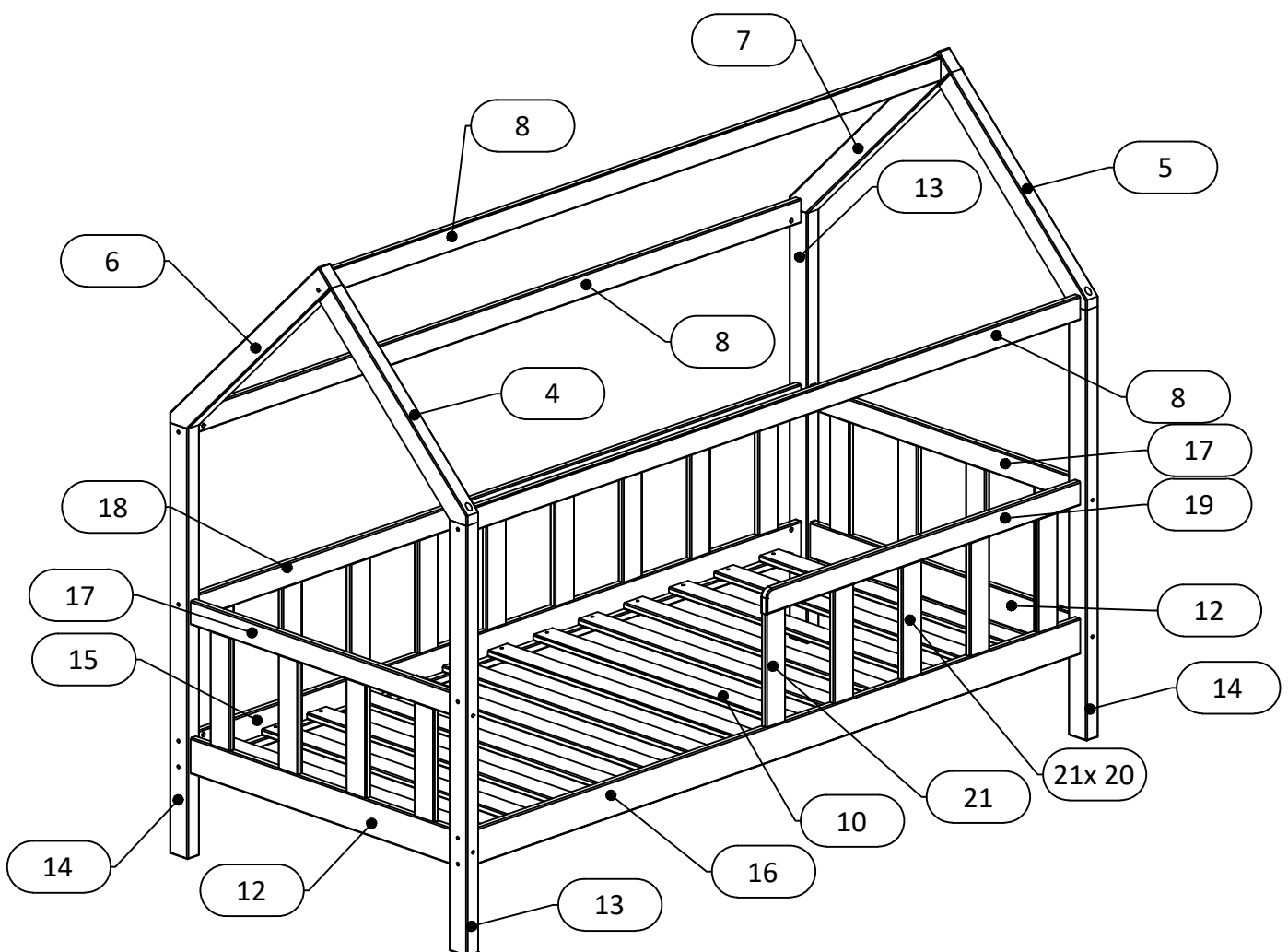
⑥ 40x60x711 - 1

⑦ 40x60x711 - 1


⑫ 20x90x860 - 2

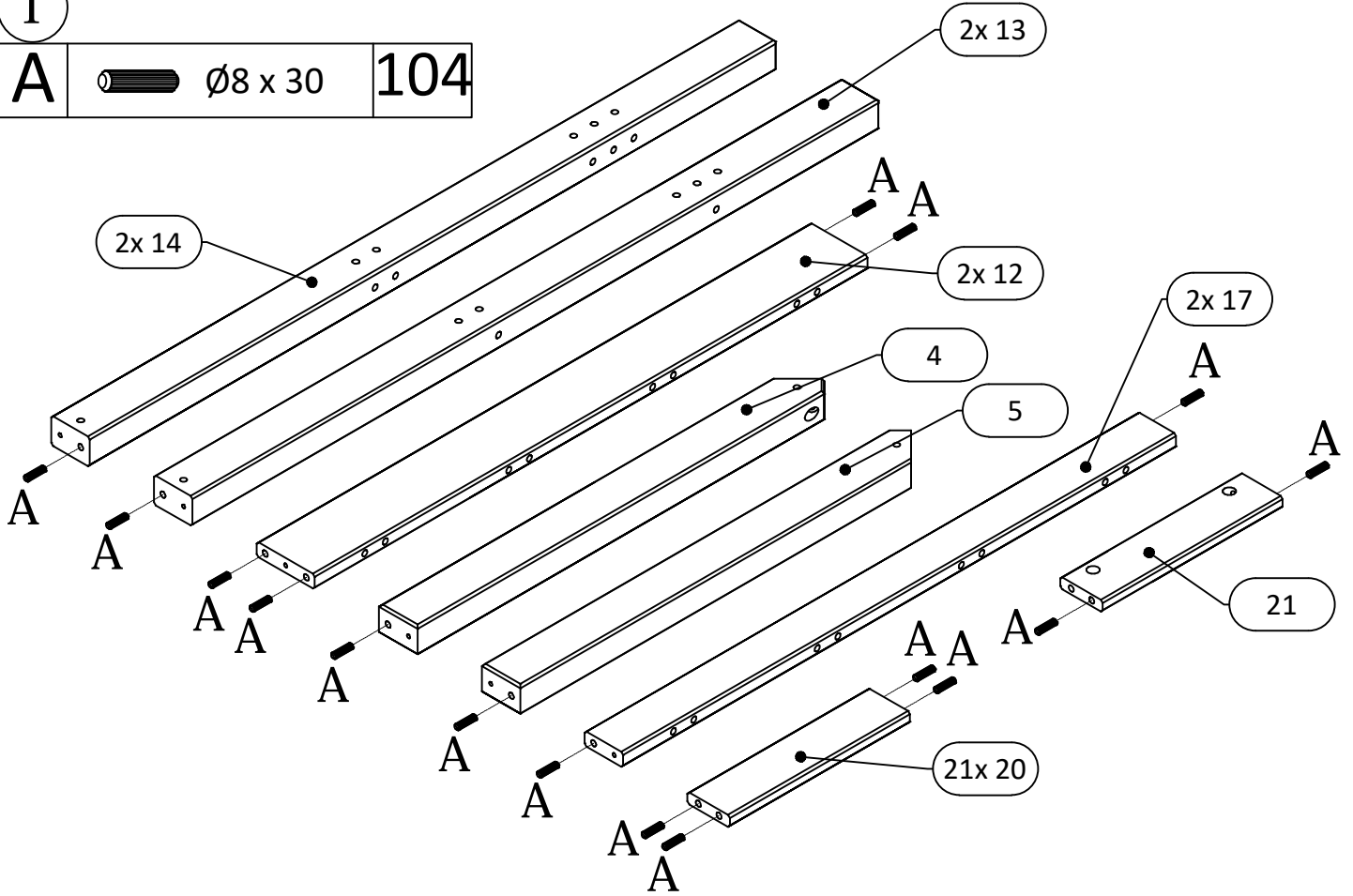
⑳ 16x66x280 - 21

㉑ 16x66x280 - 1





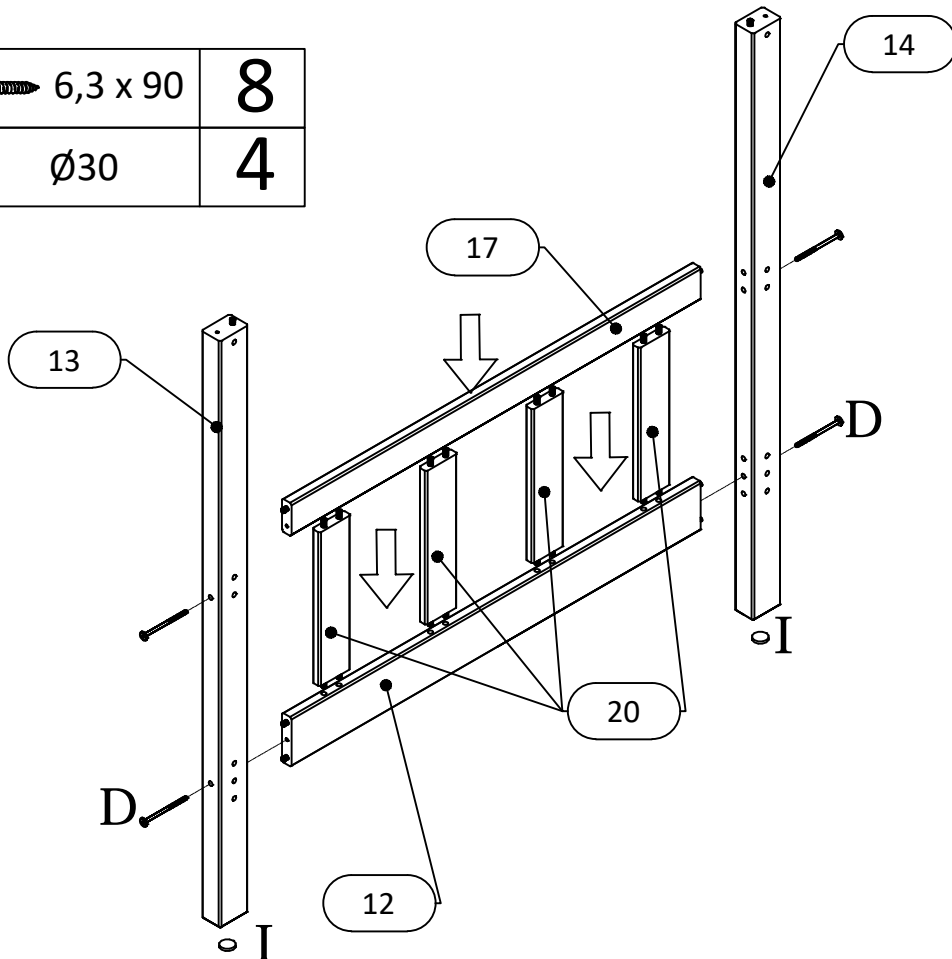
1

A	 $\varnothing 8 \times 30$	104
---	---	-----




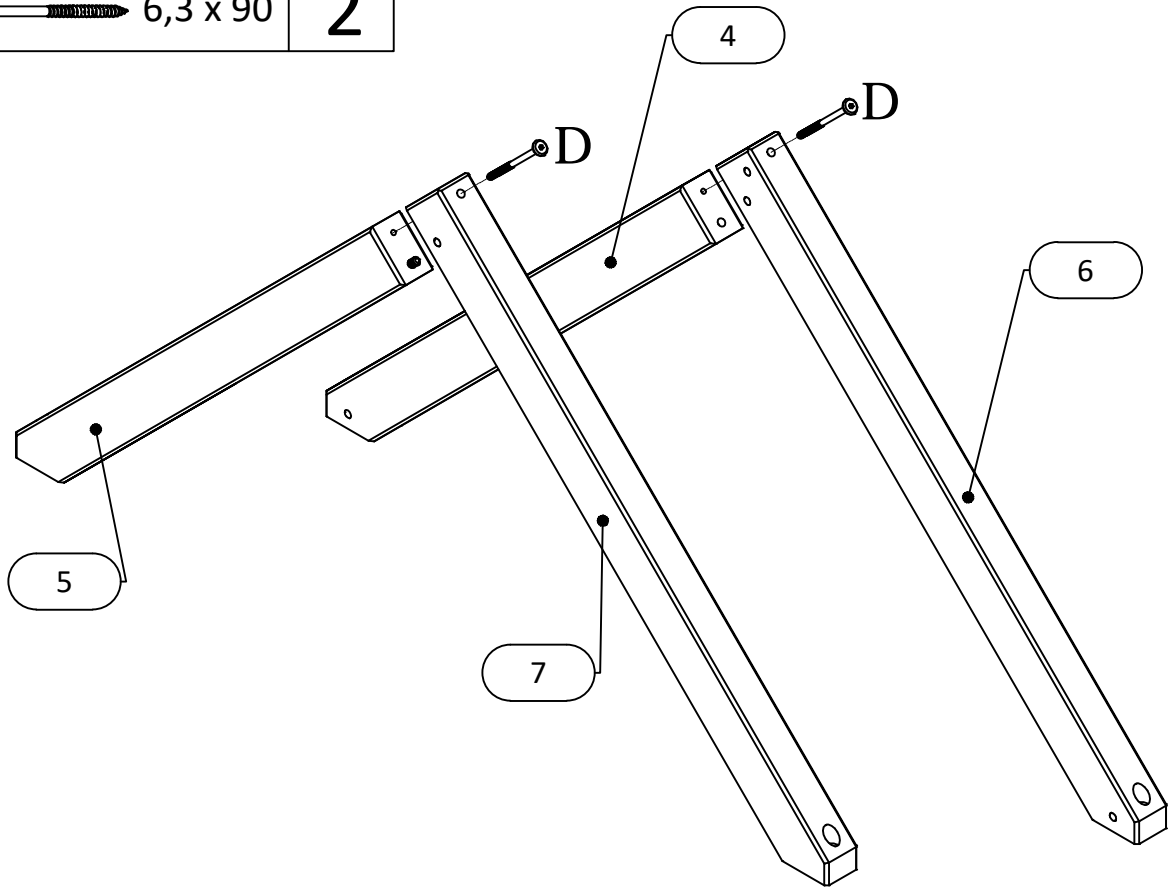
2 x2

D	 6,3 x 90	8
I	 $\varnothing 30$	4




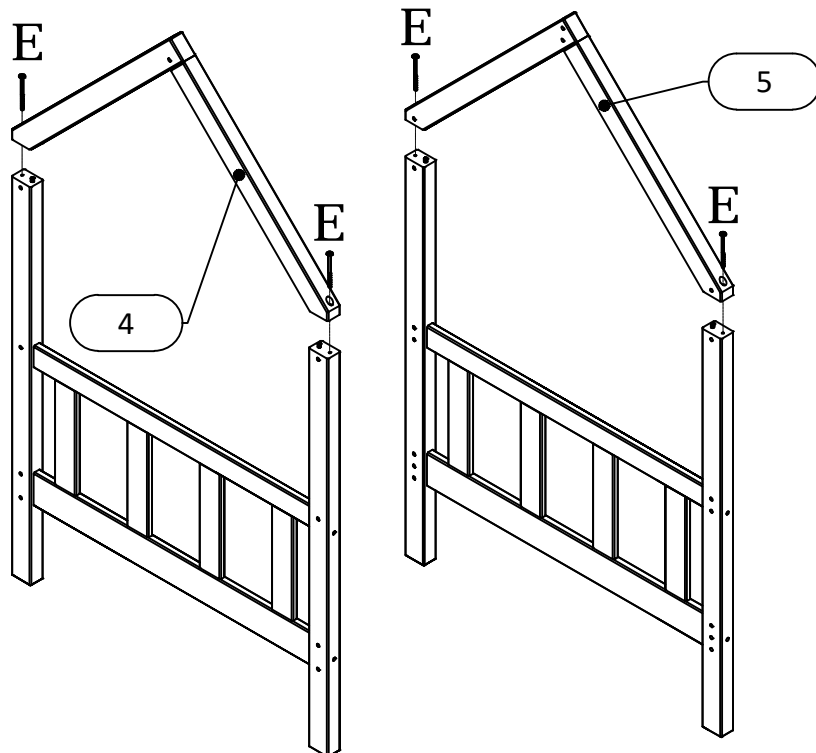
3

D	 6,3 x 90	2
----------	--	----------


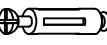


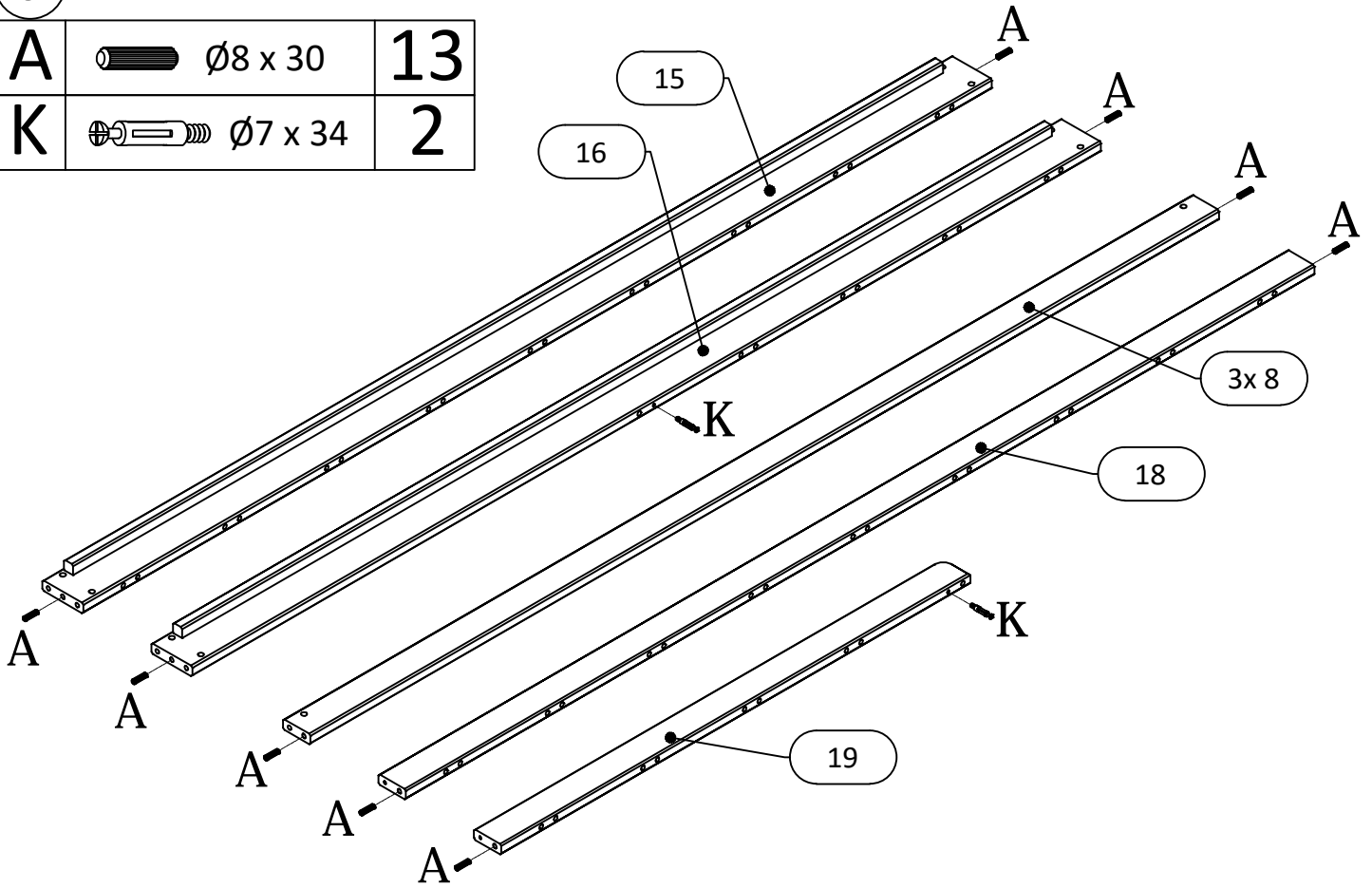
4

E	 6,3 x 70	4
----------	--	----------

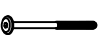





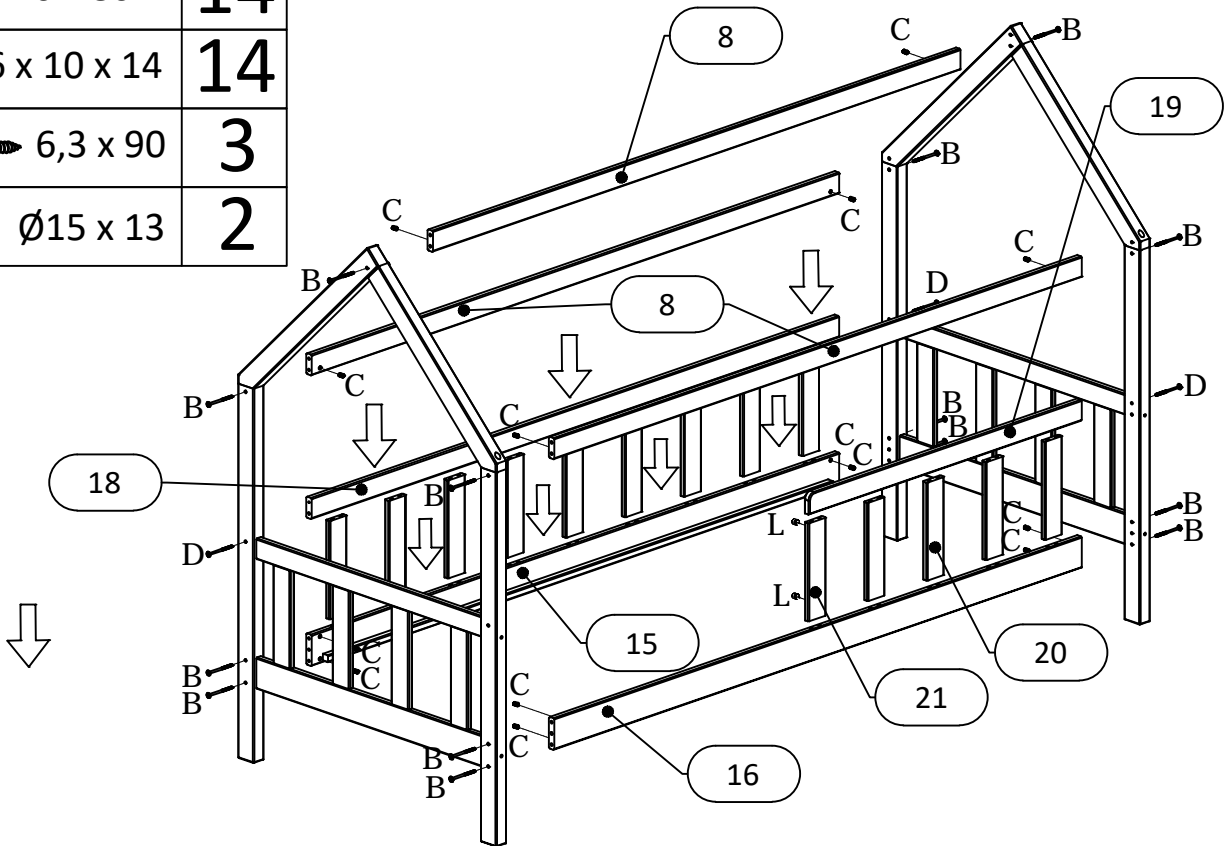
5

A	 Ø8 x 30	13
K	 Ø7 x 34	2




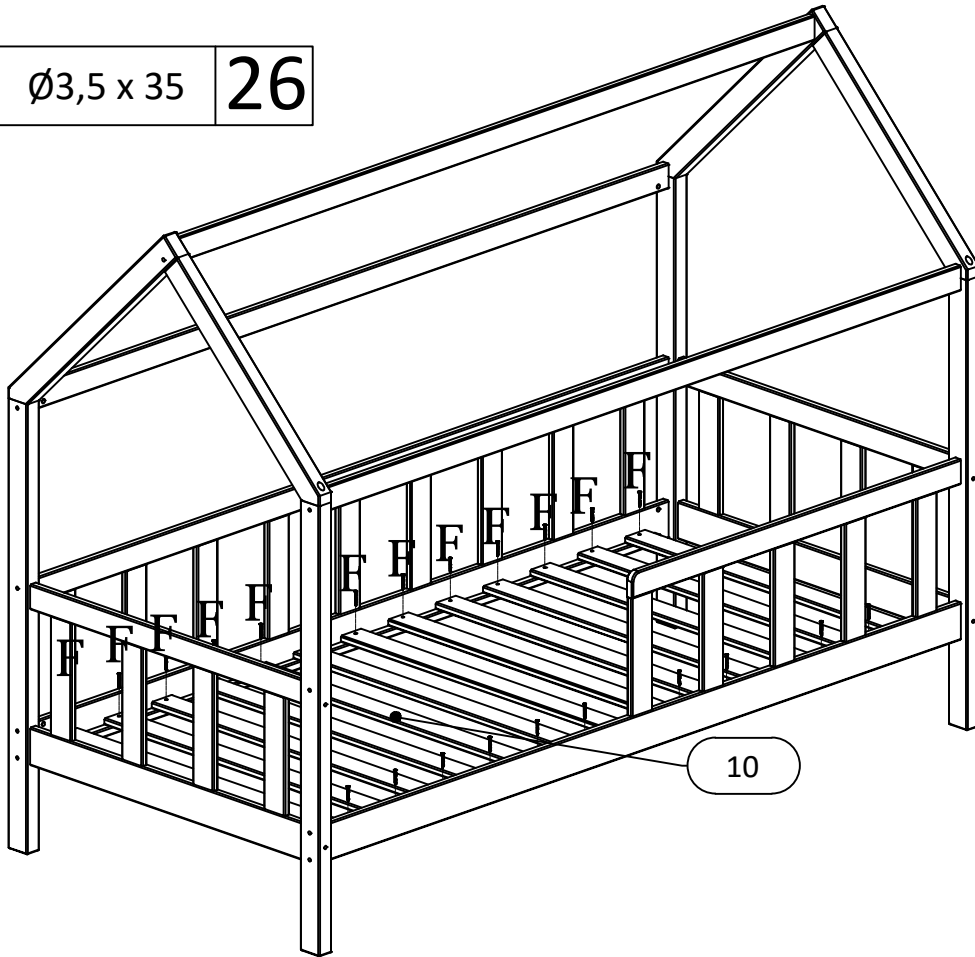
6

B	 M6 x 80	14
C	 M6 x 10 x 14	14
D	 6,3 x 90	3
L	 Ø15 x 13	2





7

F		Ø3,5 x 35	26
---	---	-----------	----



8

F		Ø3,5 x 35	4
H		75 x 31 x 16	2

