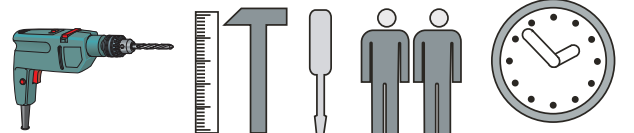
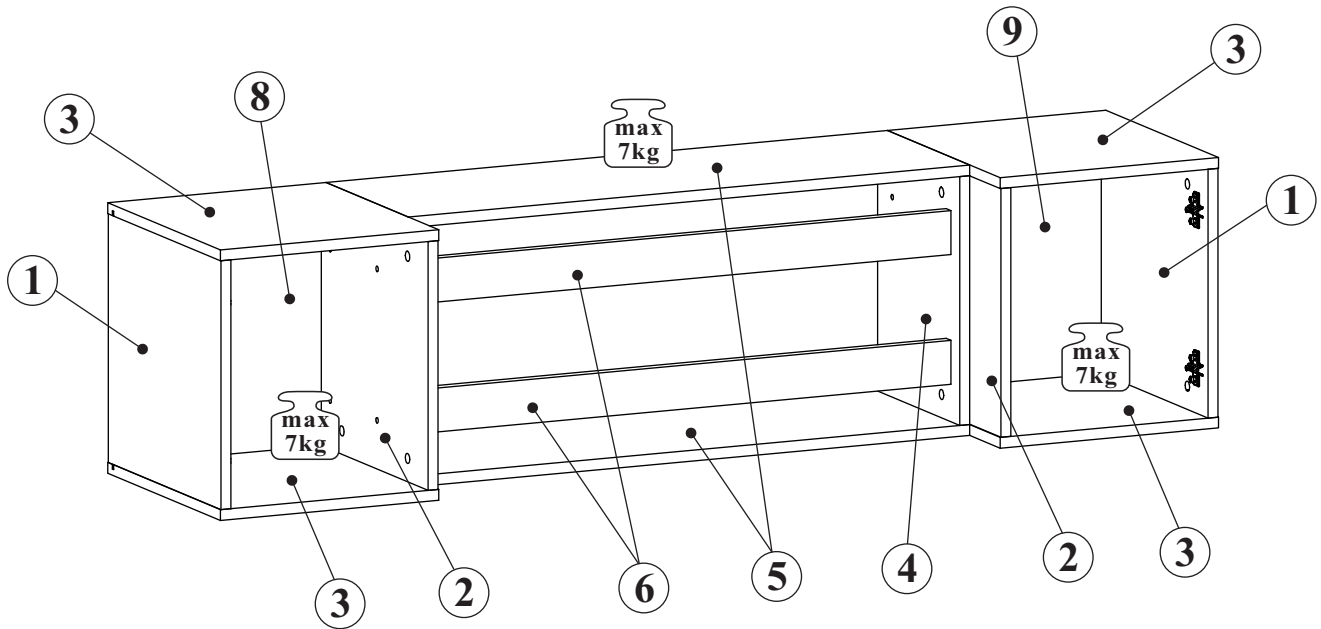
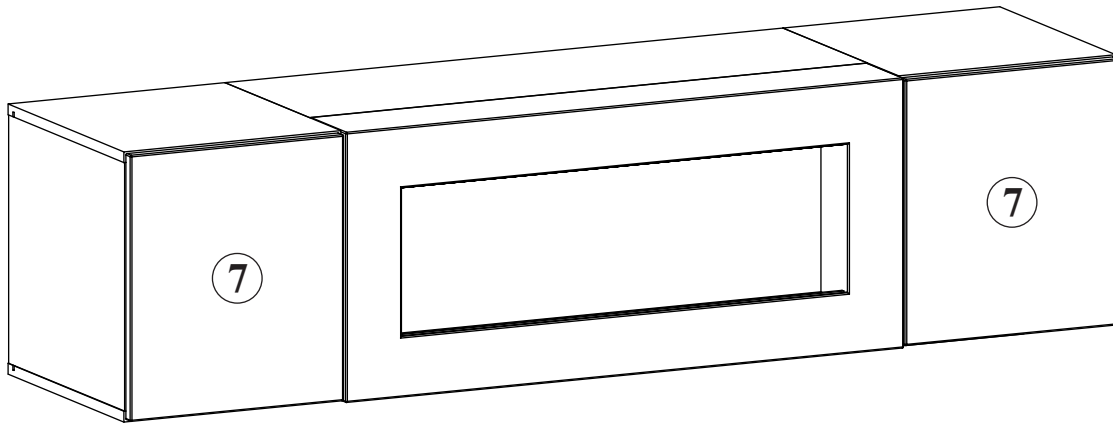
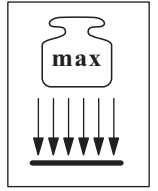


# FLY 28 -- FY SBK

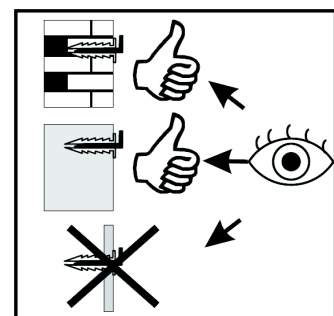
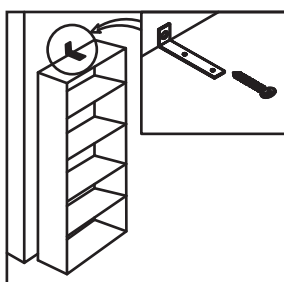
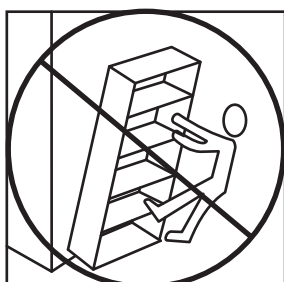
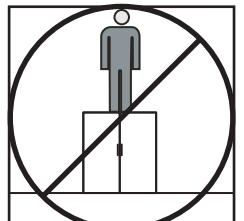
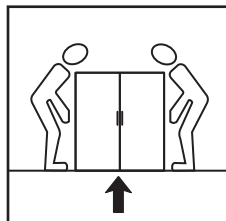
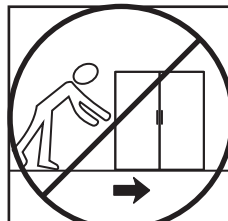
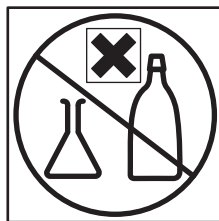
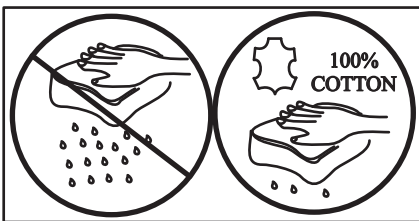
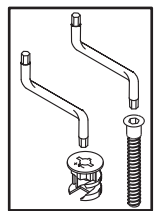
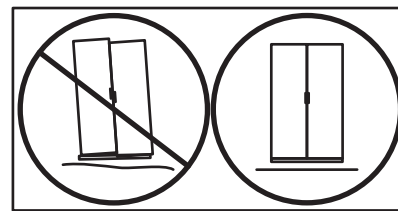
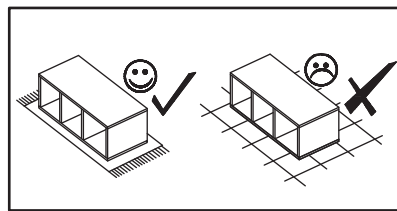
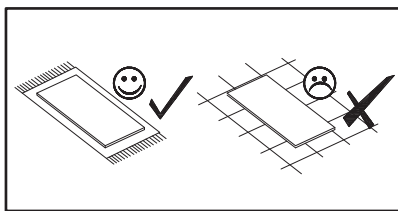
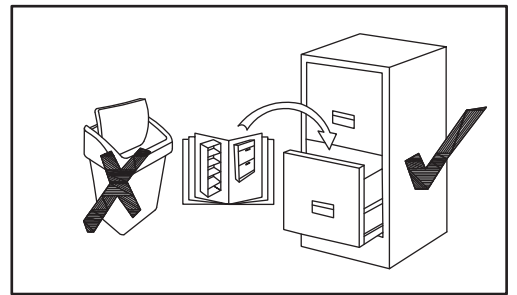
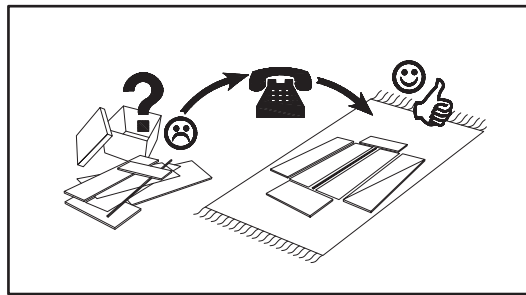
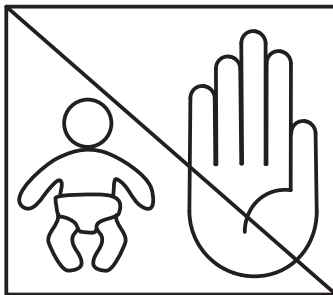
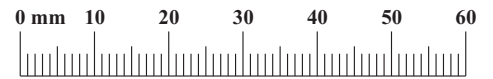


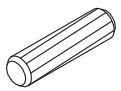

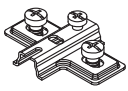
120 min

NO	Dim.		Col.-No	Qty
1	368	384	1	2
2	368	384	1	2
3	350	384	1	4
4	368	280	1	2
5	900	280	1	2
6	868	65	1	2
7	344	394	1	2
8	380	328	1	1
9	380	328	1	1

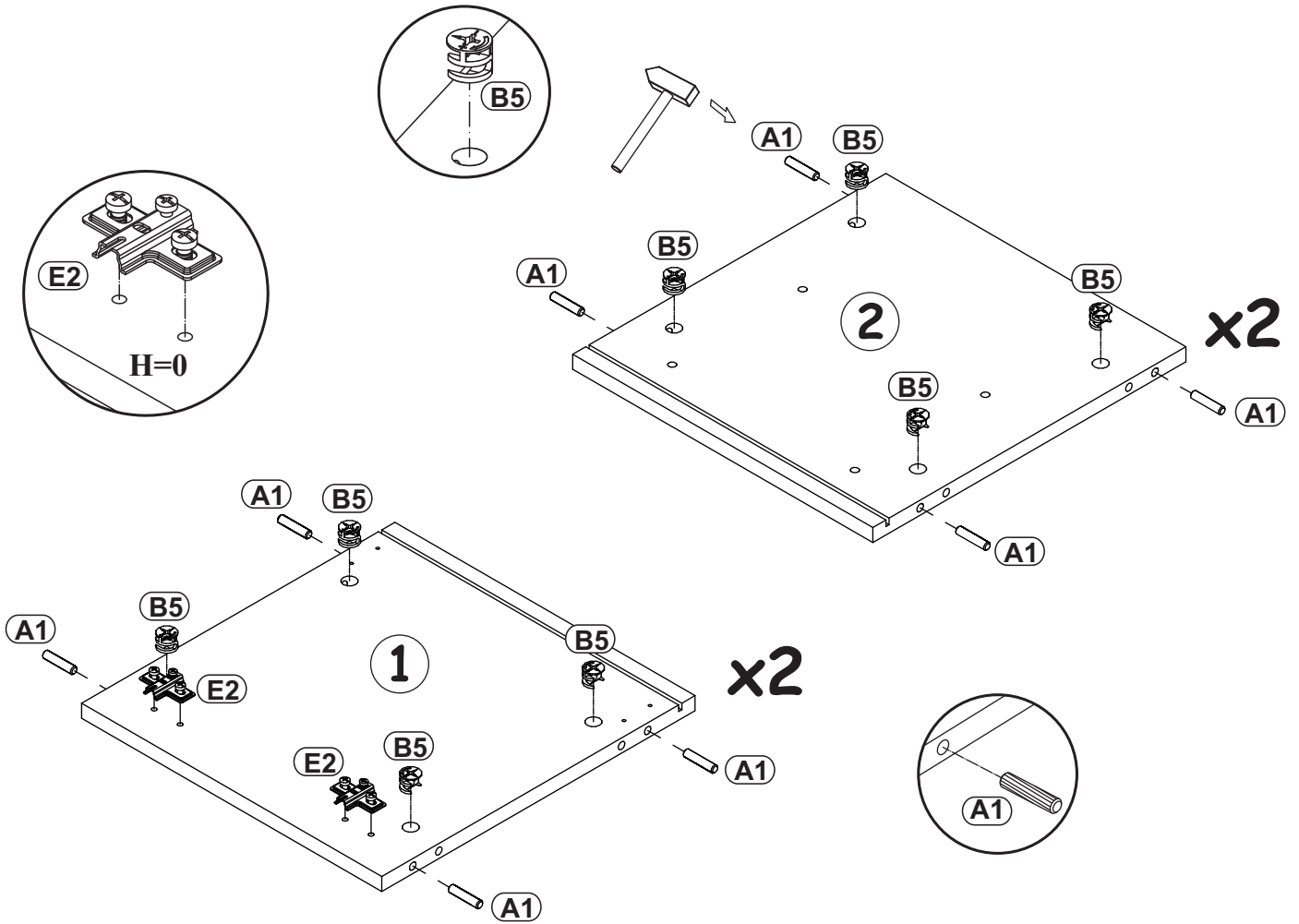
# FLY 28 -- FY SBK

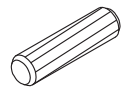

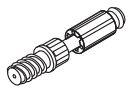
A1 x28 Ø8x36	B5 x28 Ø15x12	B4 x28	G5 x28	ZR1 x4	D6 x8 USØ3,5x30
E1 x4 Ø26 H=0	E2 x4 H=0	D10 x12 USØ3,5x13	OD1 x2	B81 x8 M6x26-35 Ø8	S1 x8
PI x1	UP13 x2 UPØ3x16	UP6 x2 UPØ4x30	KR2 x4	G2 x1	



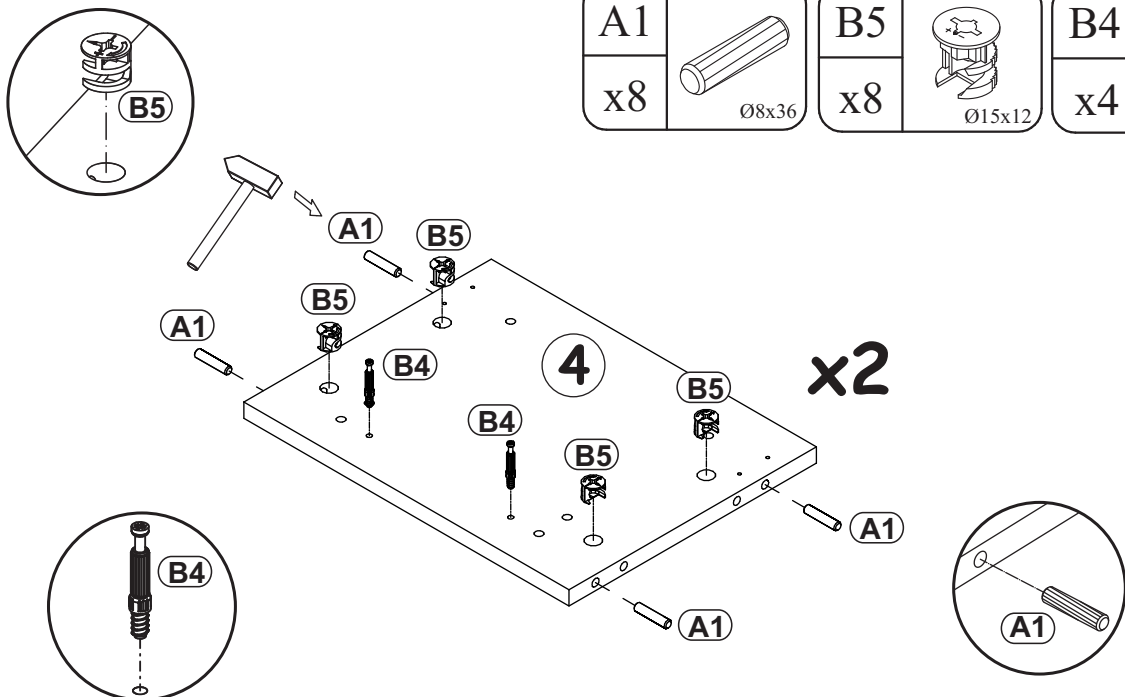
A1		B5		E2	
x16	Ø8x36	x16	Ø15x12	x4	H=0

1



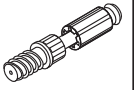
A1		B5		B4	
x8	Ø8x36	x8	Ø15x12	x4	

2

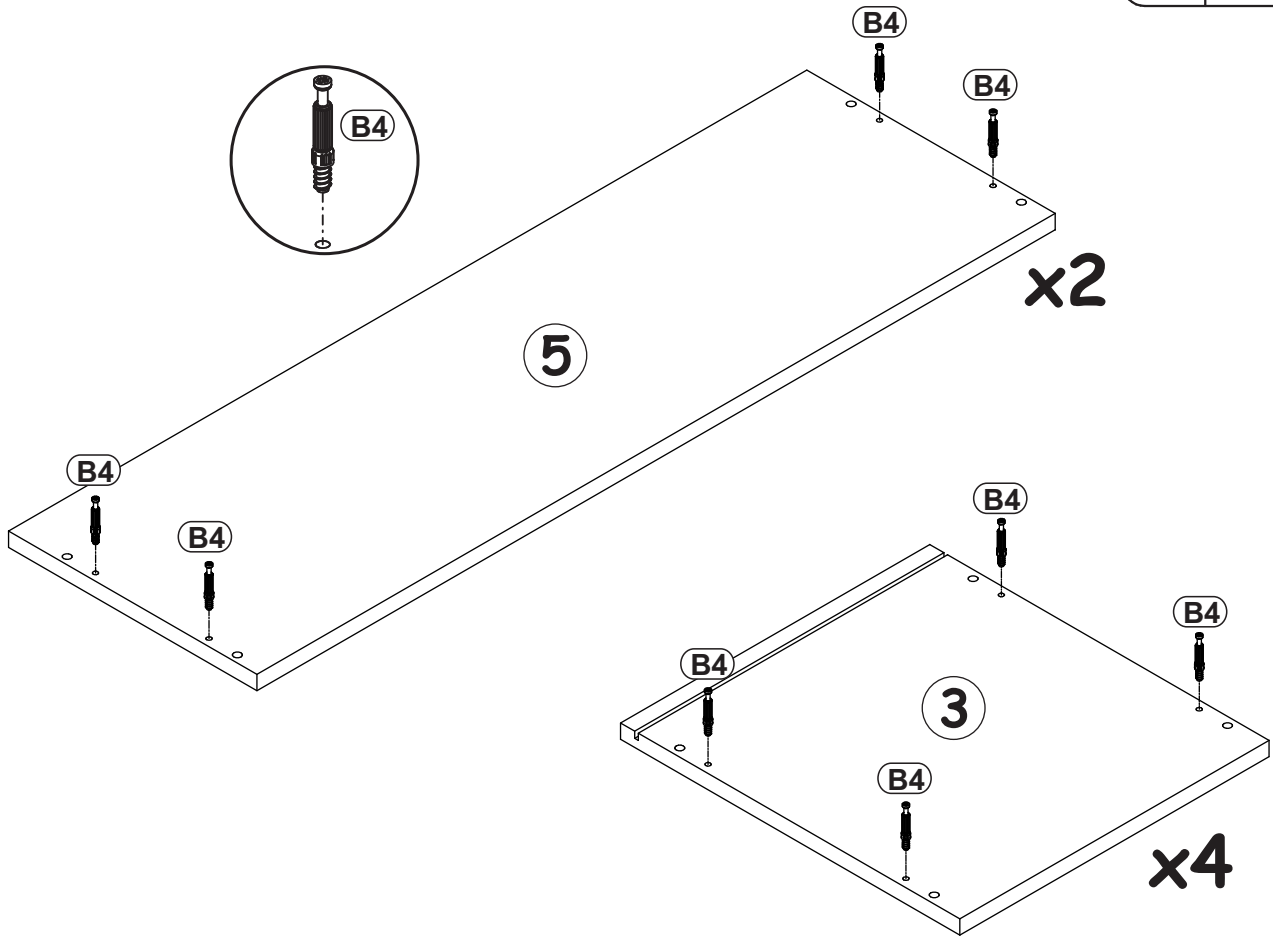


B4

x24



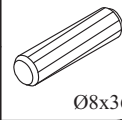
3



4

A1

x4

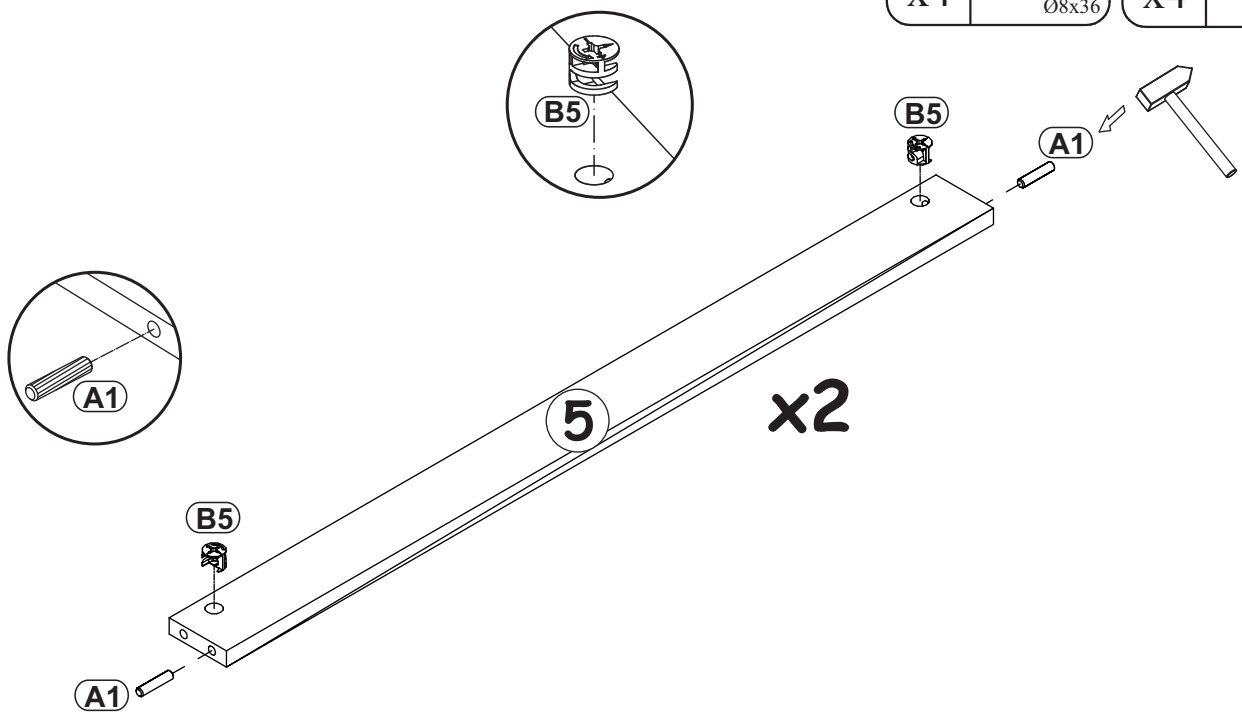


B5

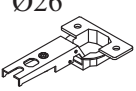
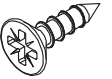
x4

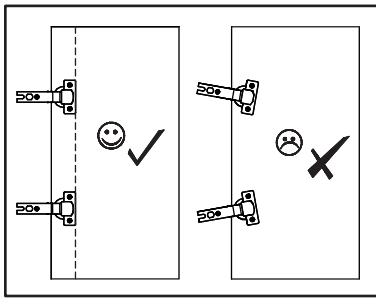
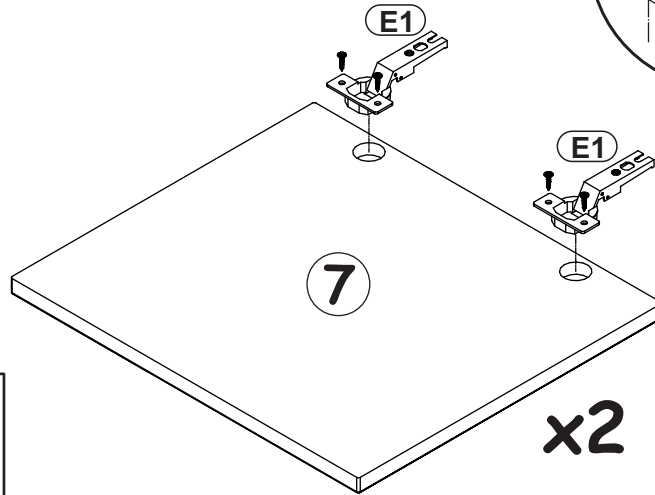
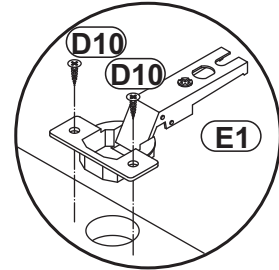
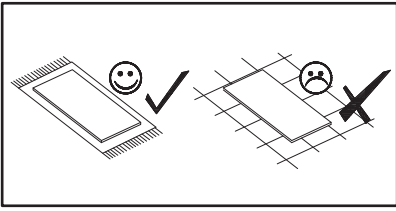


Ø15x12




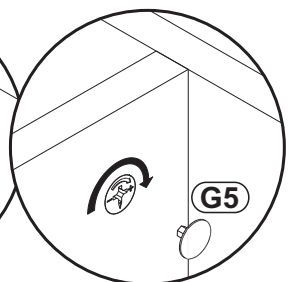
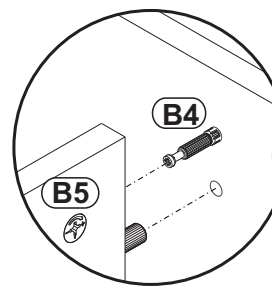
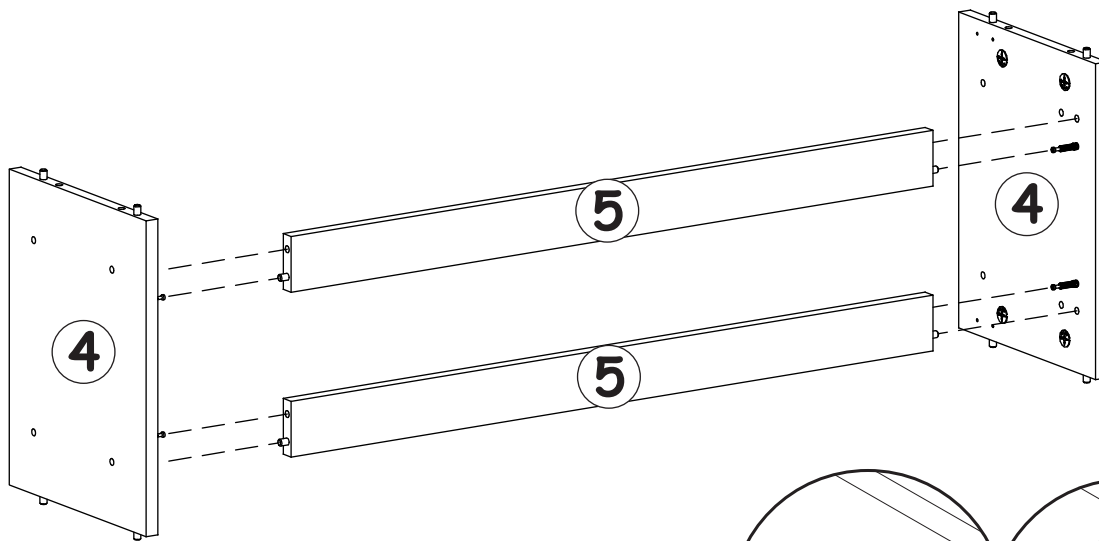
5

E1	Ø26 	D10	
x4	H=0	x8	USØ3,5x13




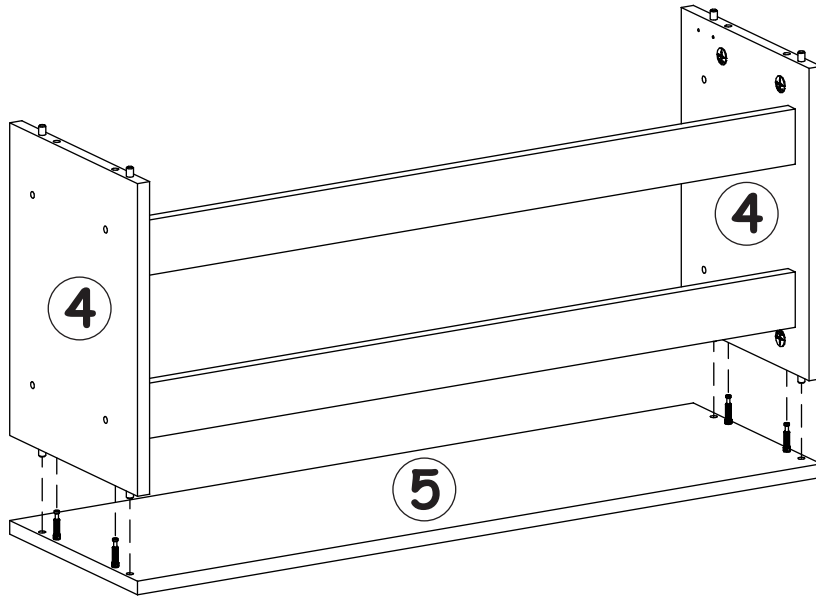
6

G5	
x4	





7

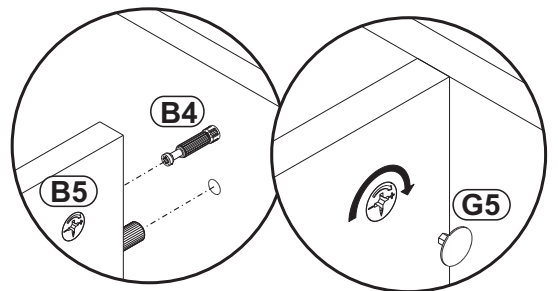
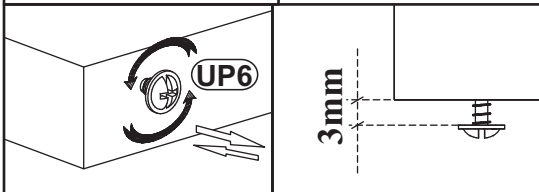
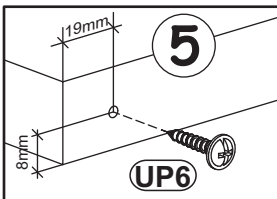
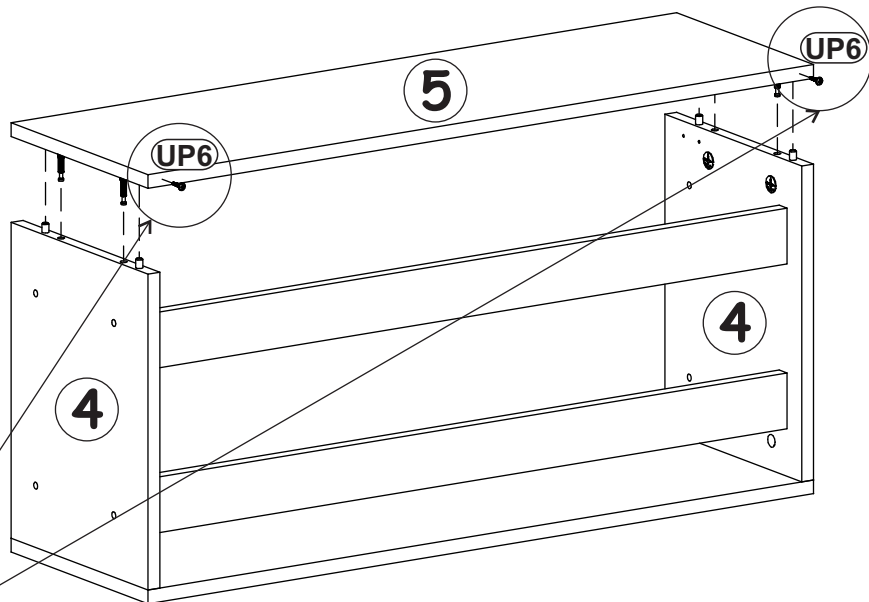
G5	
x4	




8

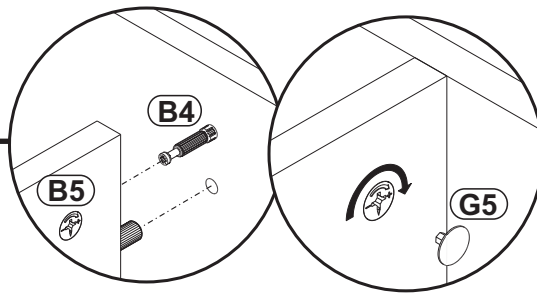
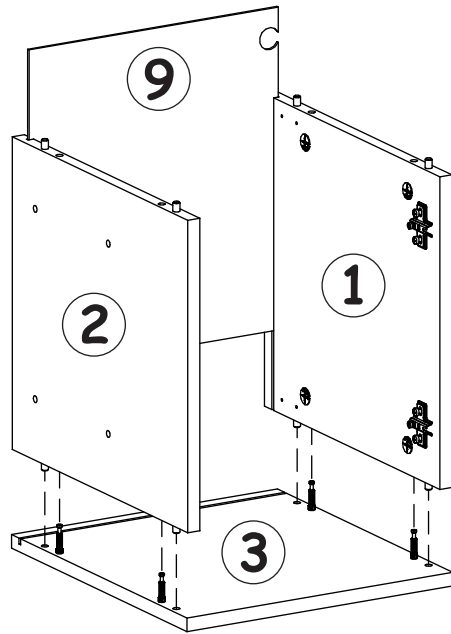
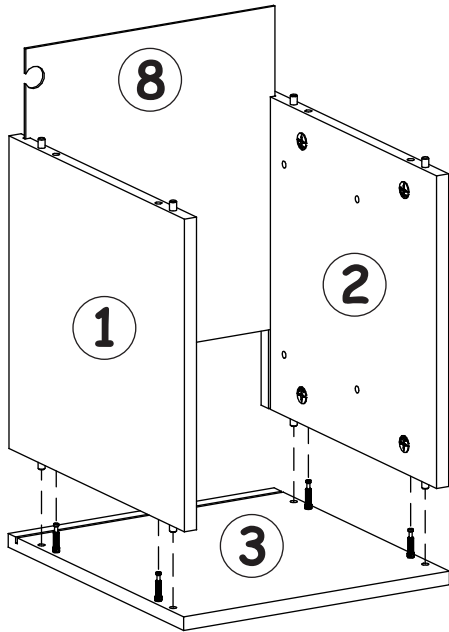
G5	
x4	

UP6	
x2	UPØ4x30




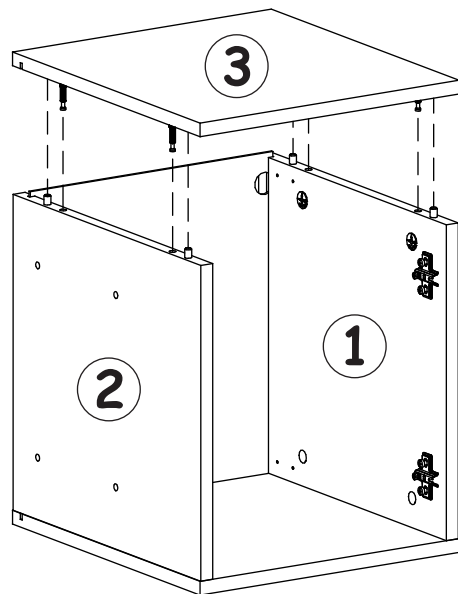
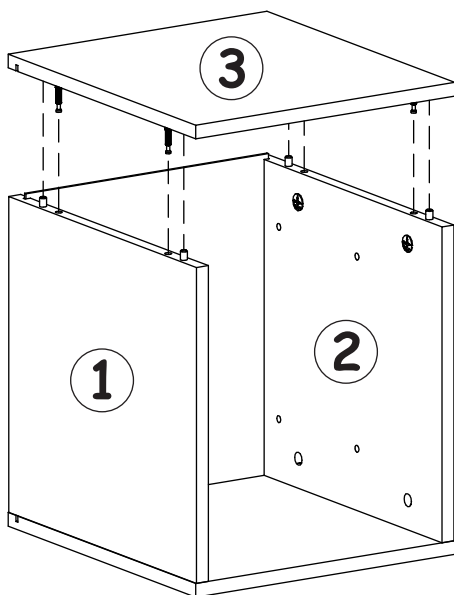
G5	
x8	

9

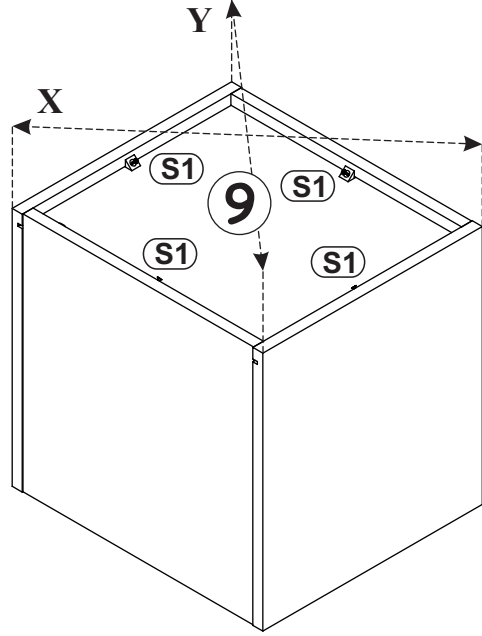
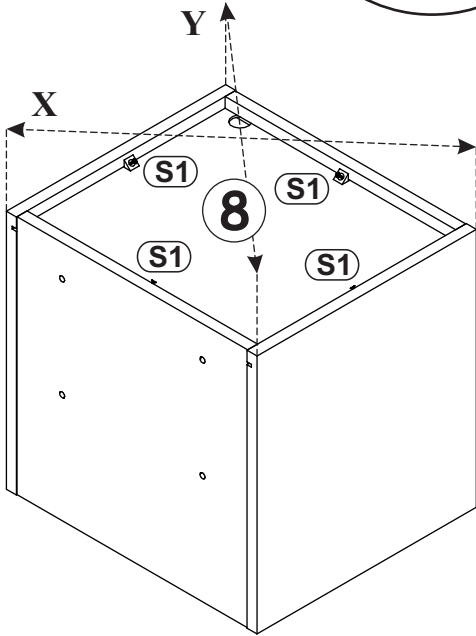
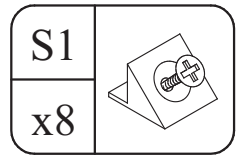
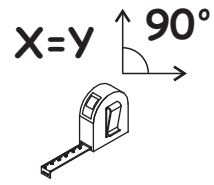
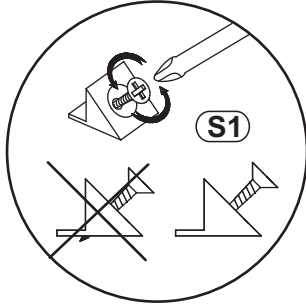


10

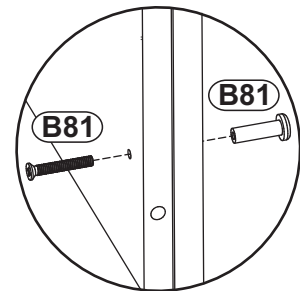
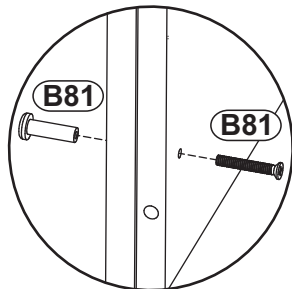
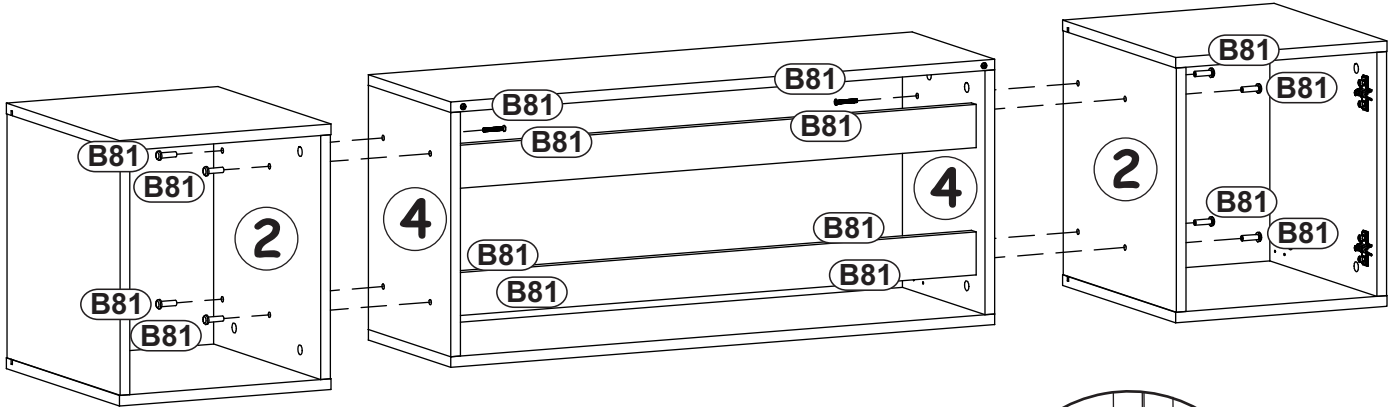
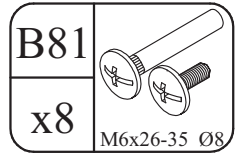
G5	
x8	



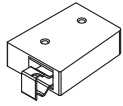

11



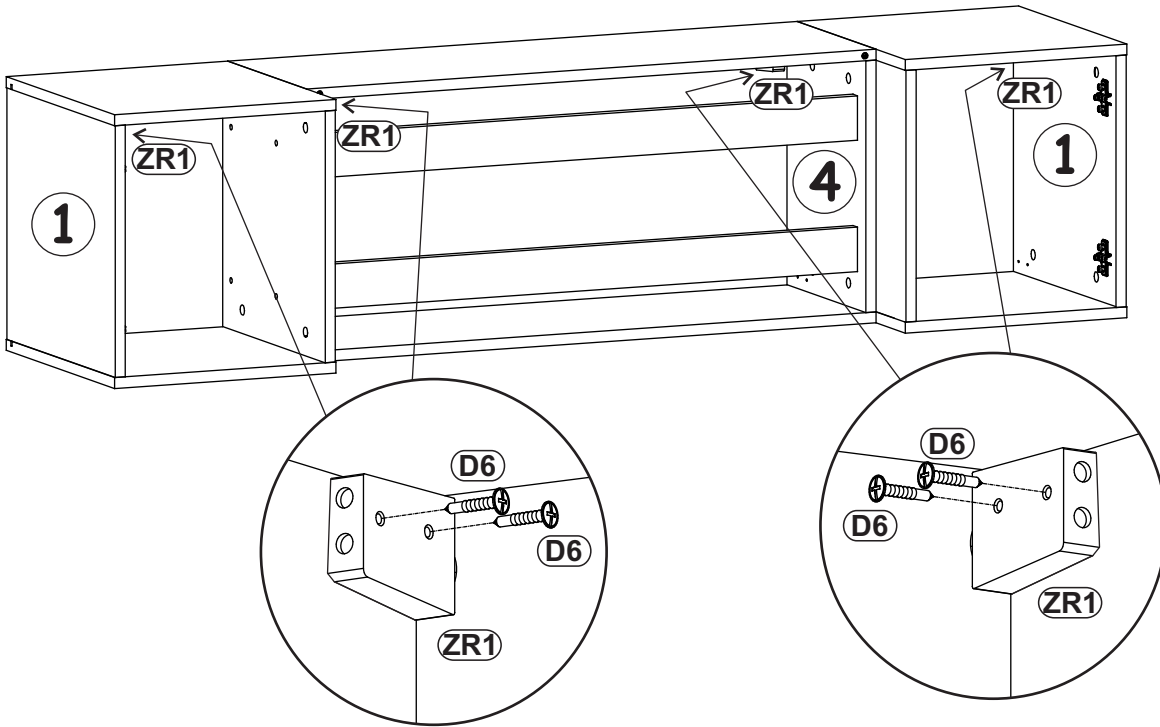
12



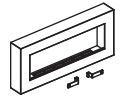
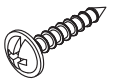


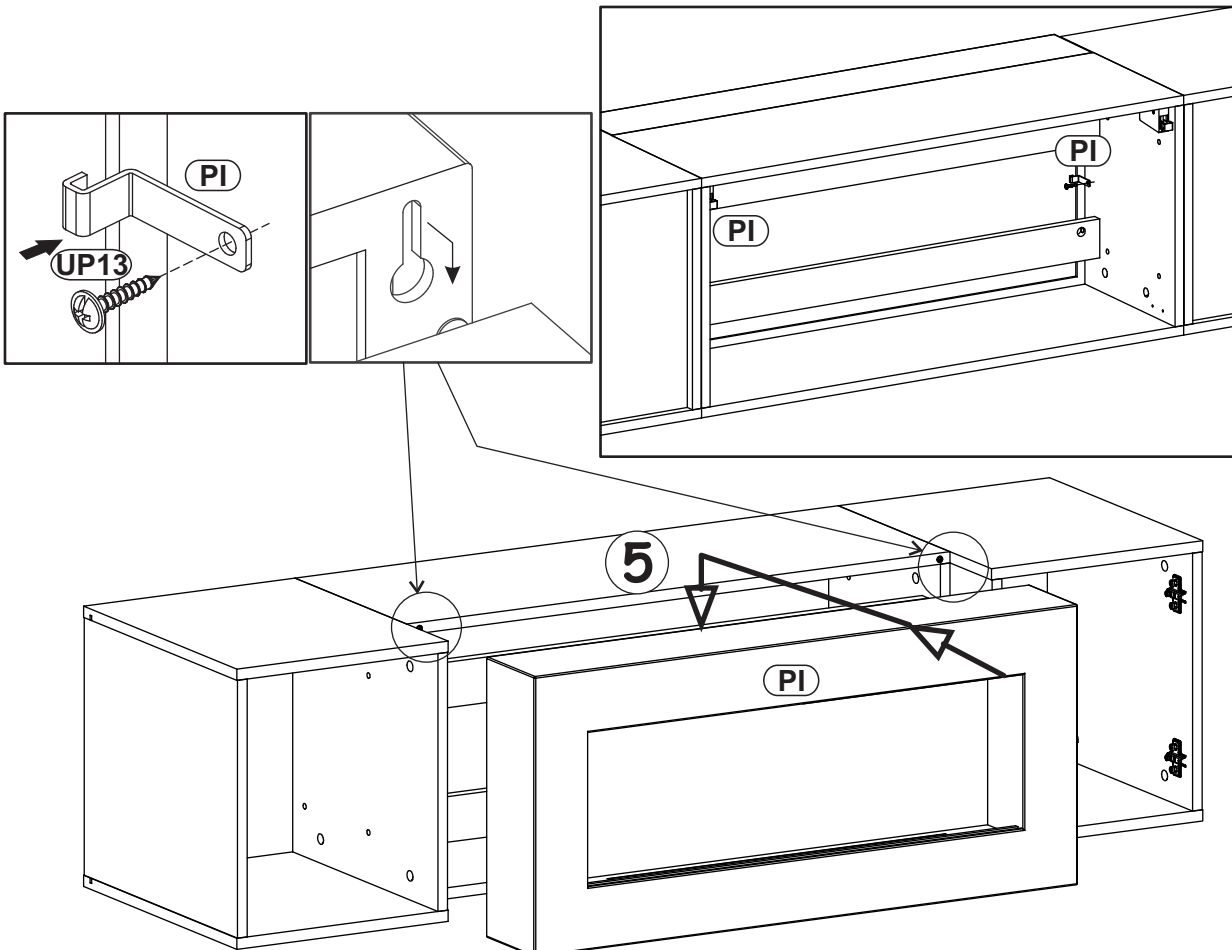
ZR1		D6	
x4		x8	USØ3,5x30

13

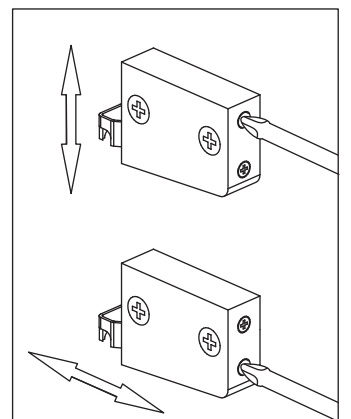
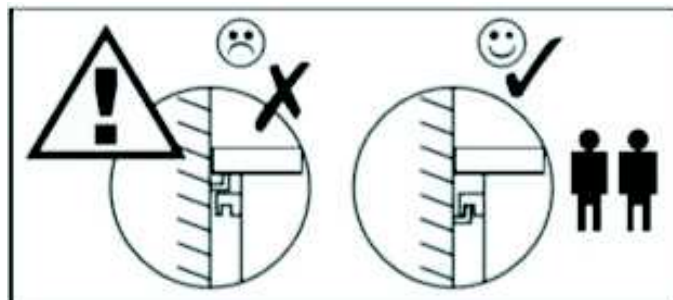
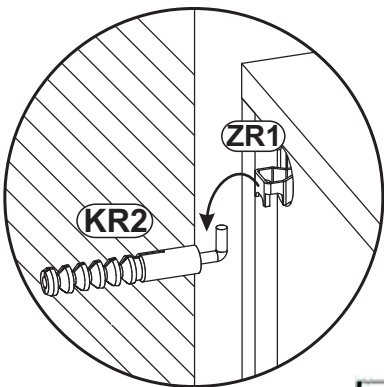
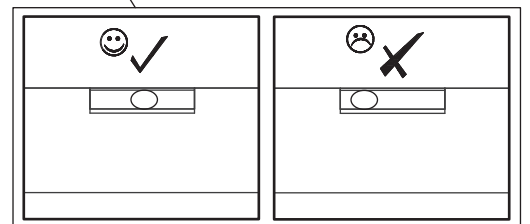
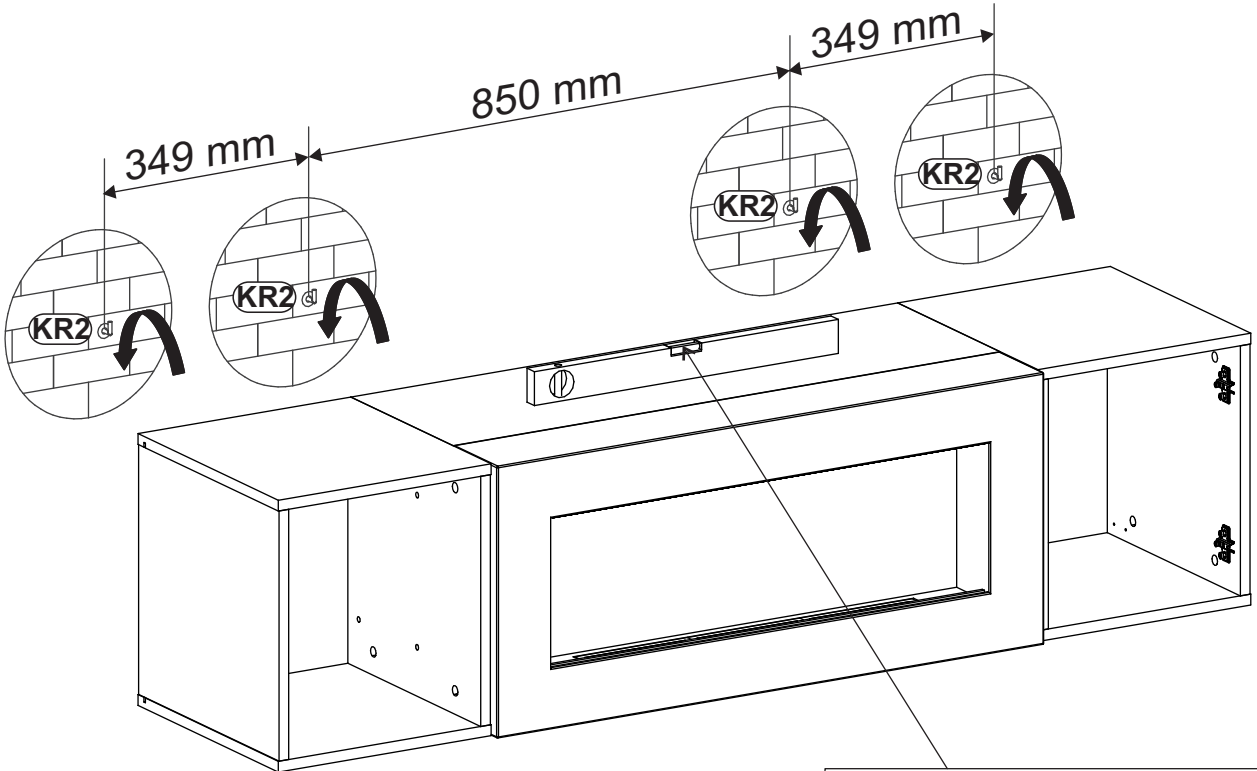
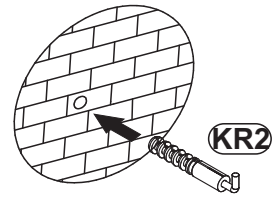
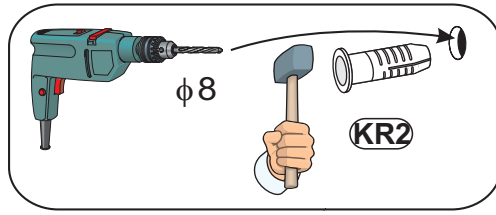
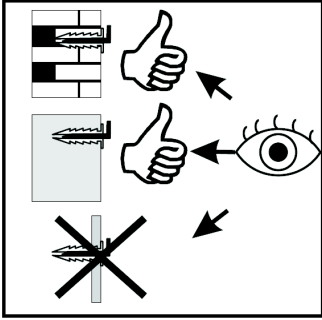
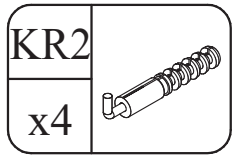


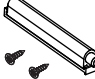
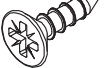

14

PI		UP13	
x1		x2	UPØ3x16

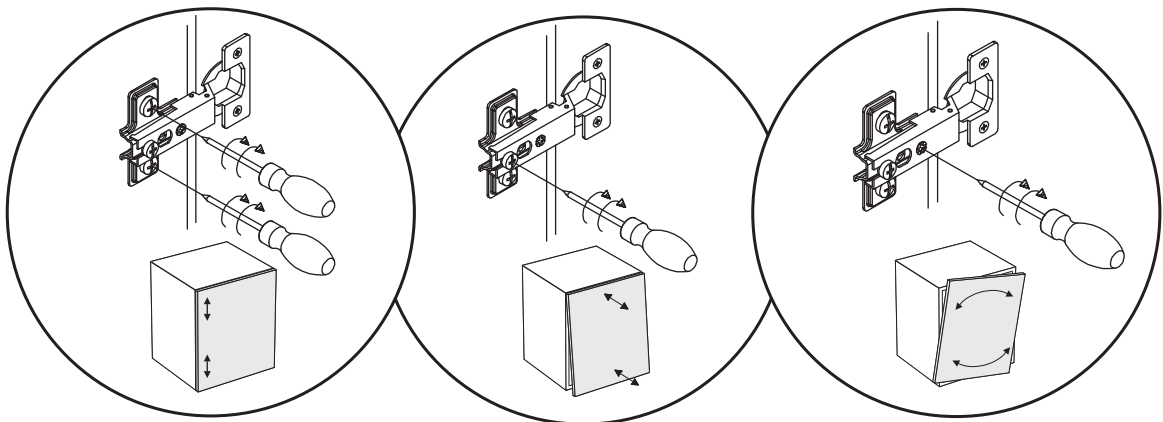
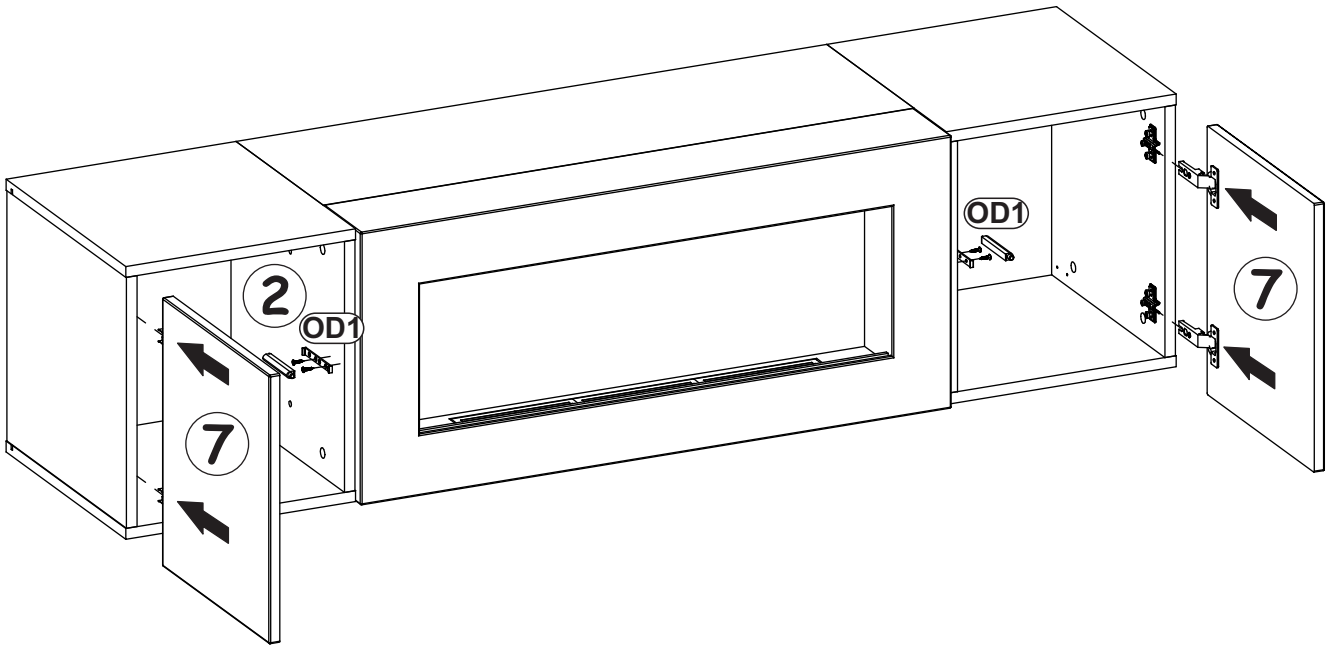
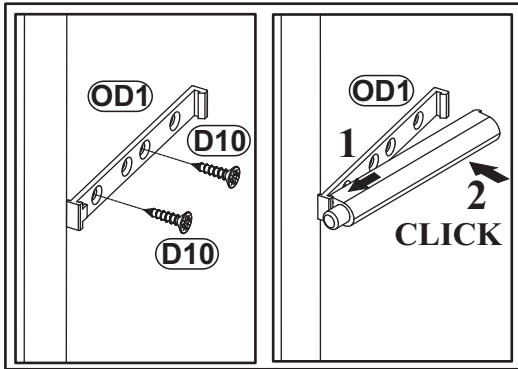


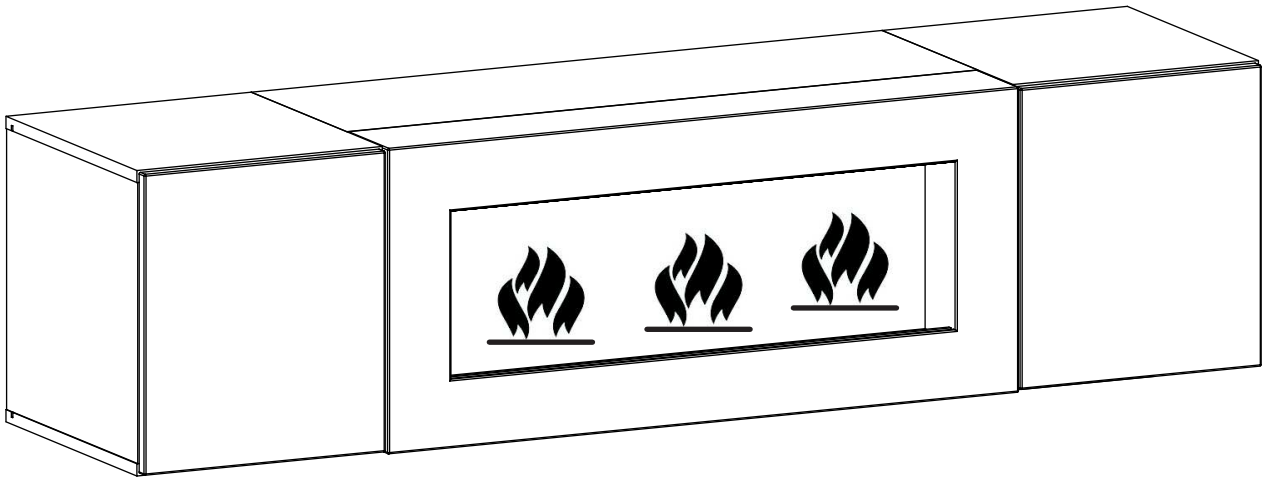
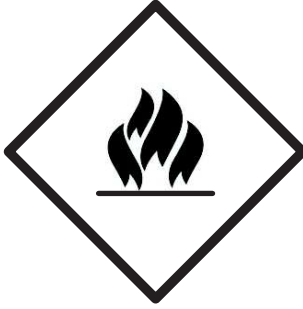
15



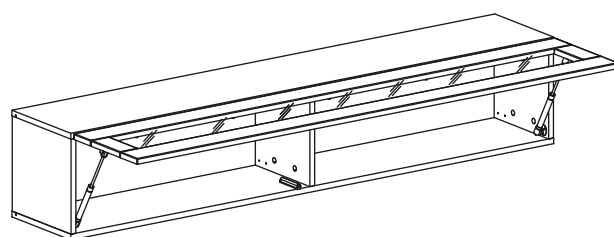
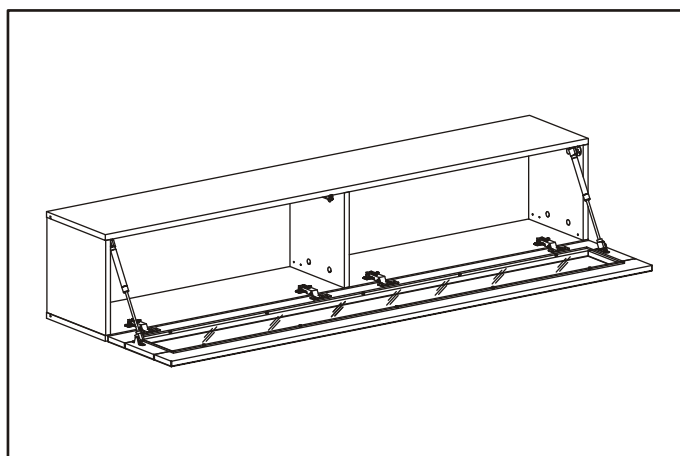
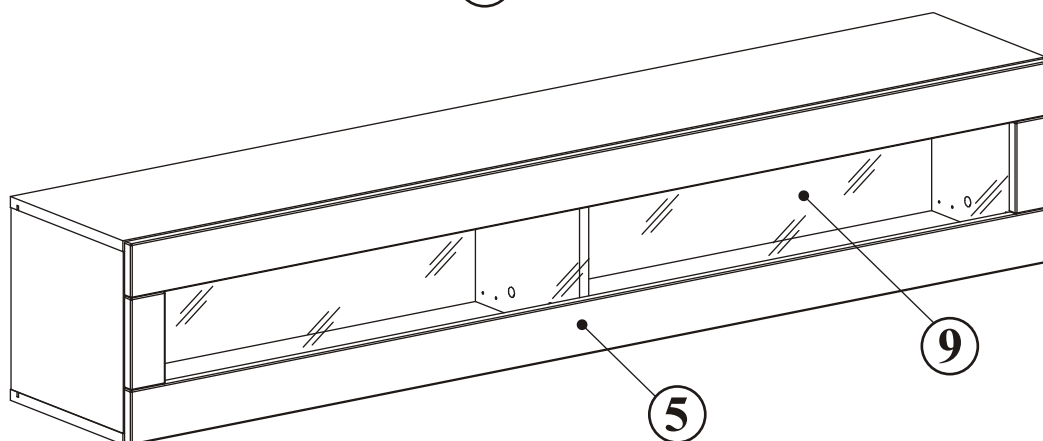
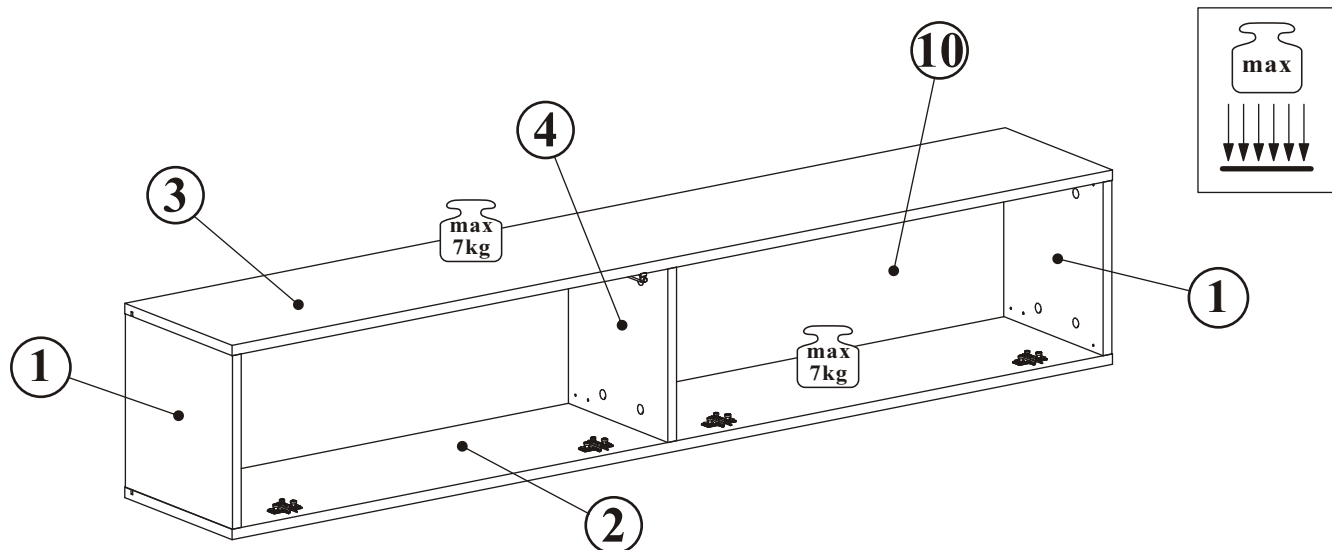
OD1		D10	
x2		x4	USØ3,5x13

16

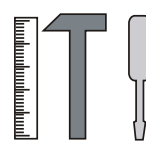
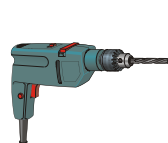




# FLY TYP-51

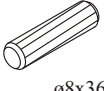
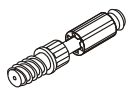


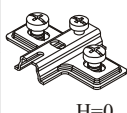
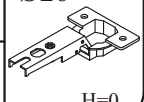

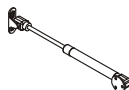
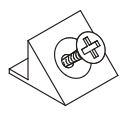
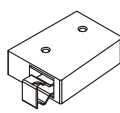





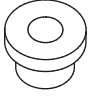
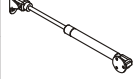


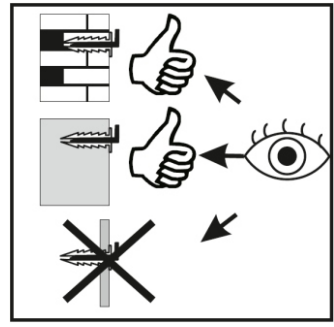
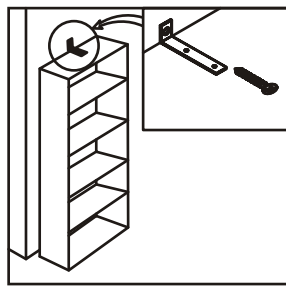
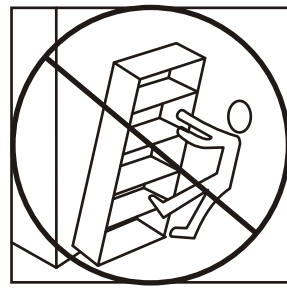
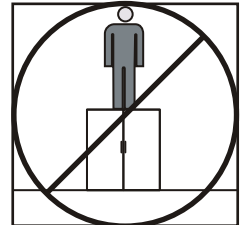
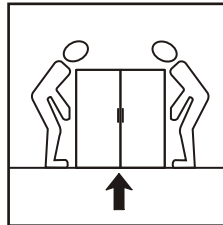
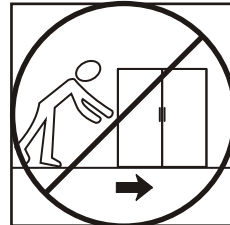
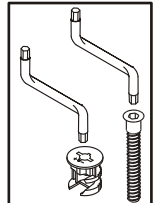
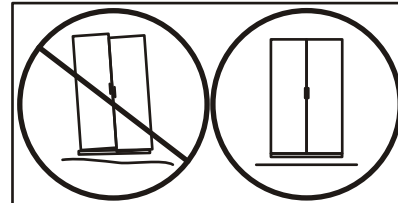
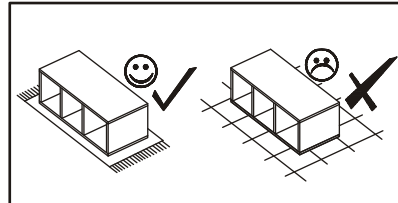
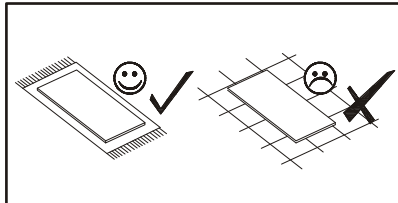
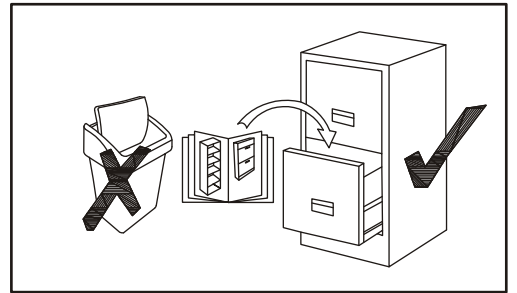
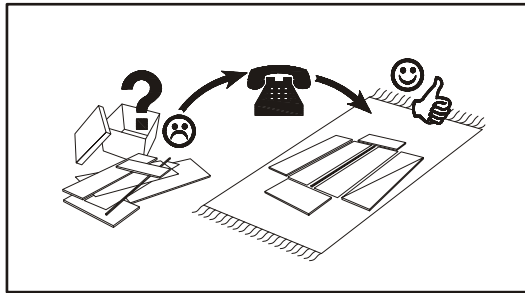
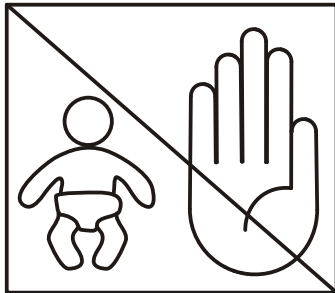
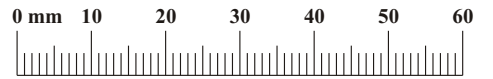
NO	Dim.		Col.-No	Qty
1	268	274	1	2
2	1602	274	1	1
3	1602	274	1	1
4	268	244	1	1
10	1580	280	1	1
5	1596	296	1	1
9	1496	176	1	1



90 min

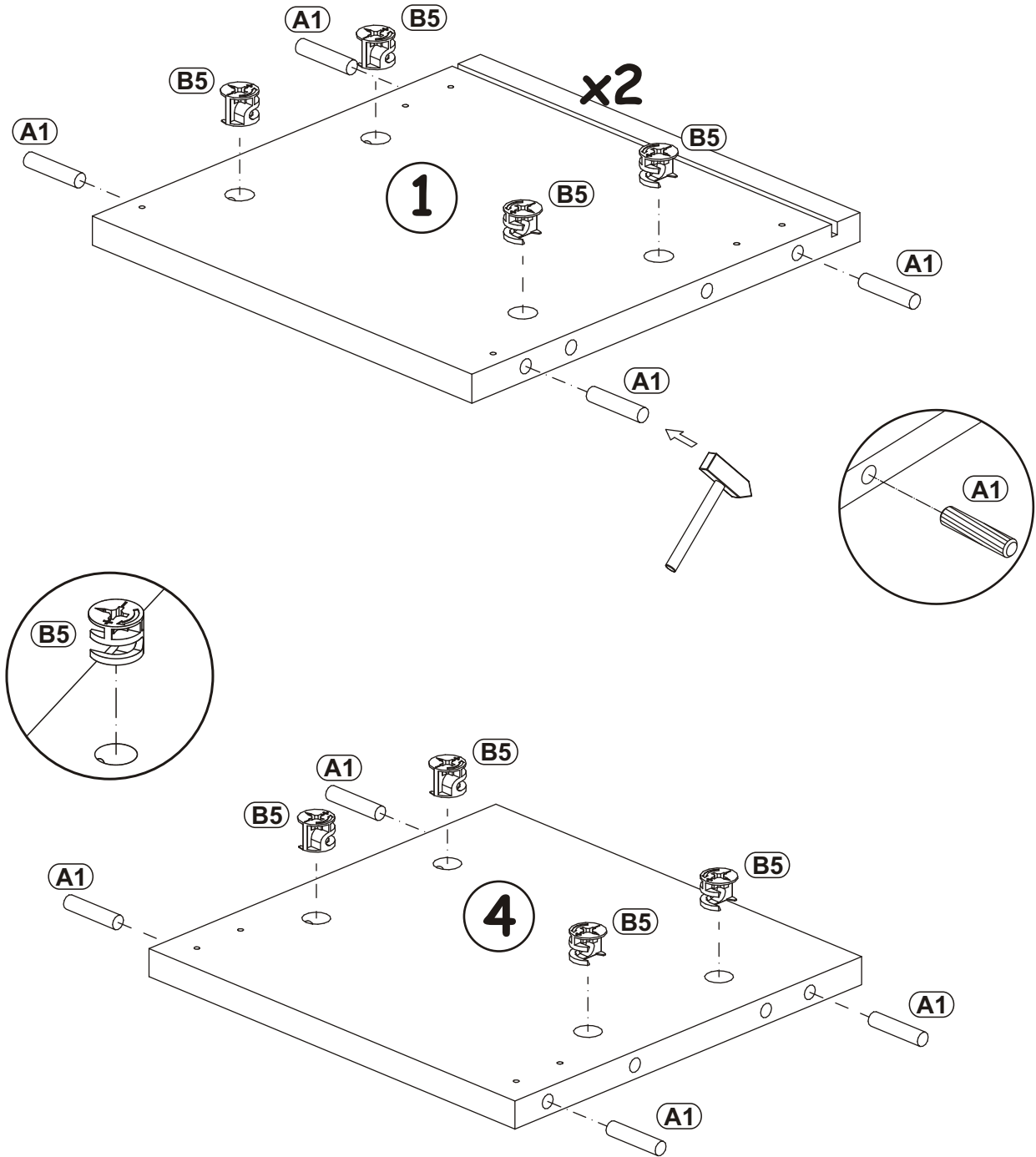
# FLY TYP-51

A1 x12  ø8x36	B4 x12 	B5 x12  ø15x12	G5 x12 	E2 x4  H=0	E1 x4  H=0
T1 x1 	BO1 x2 	S1 x12 	ZR1 x3 	D6 x6  USØ3,5x30	D10 x20  USØ3,5x13
UP13 x12  UPØ3x16	G2 x1 	KR2 x3 	P2 x10 	BP1 x2 	



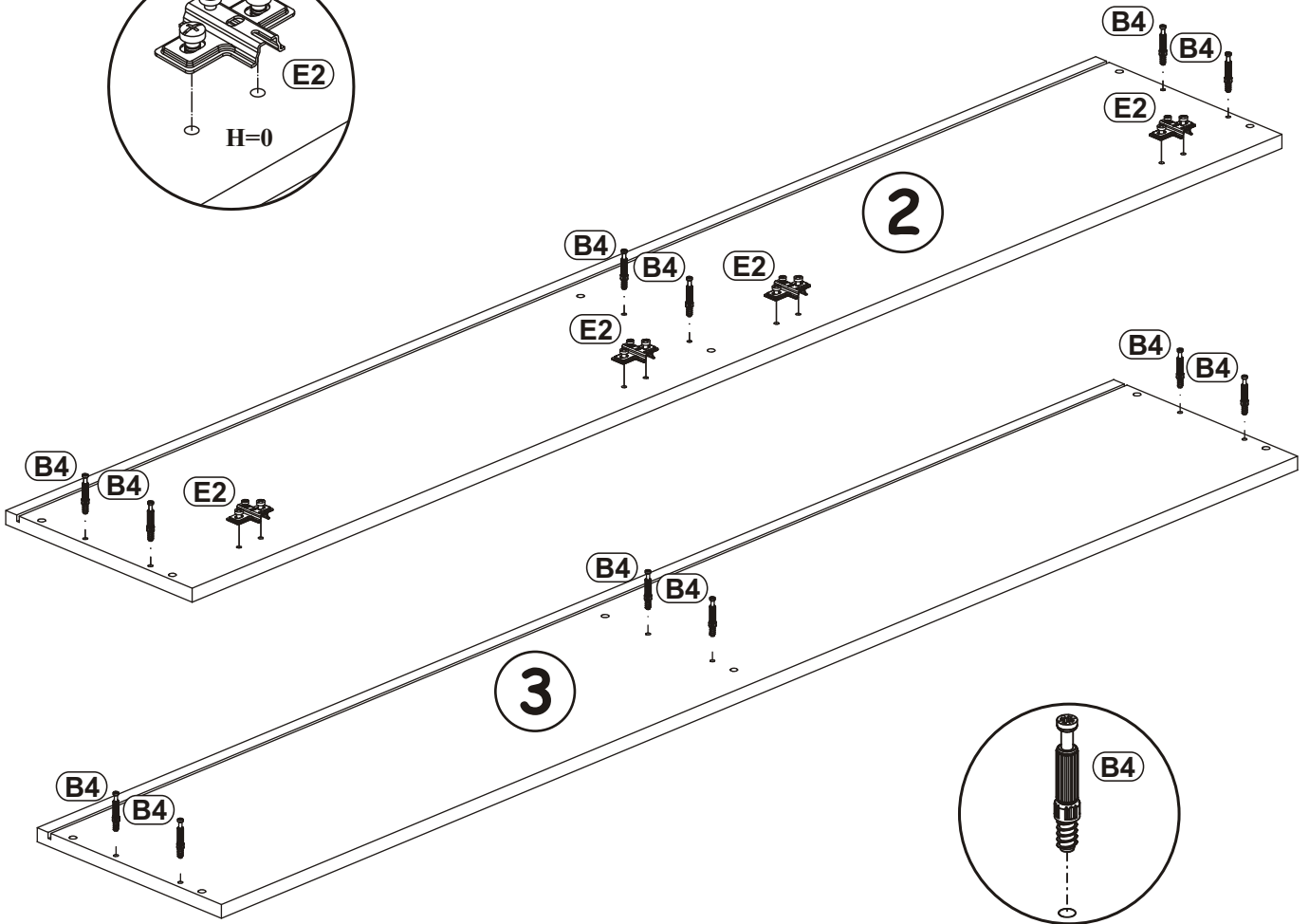
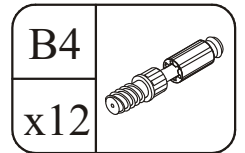
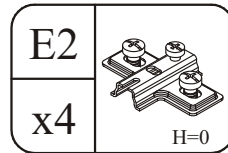
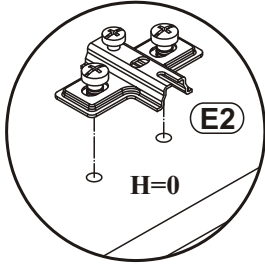
B5		A1	
x12	ø15x12	x12	ø8x36

1

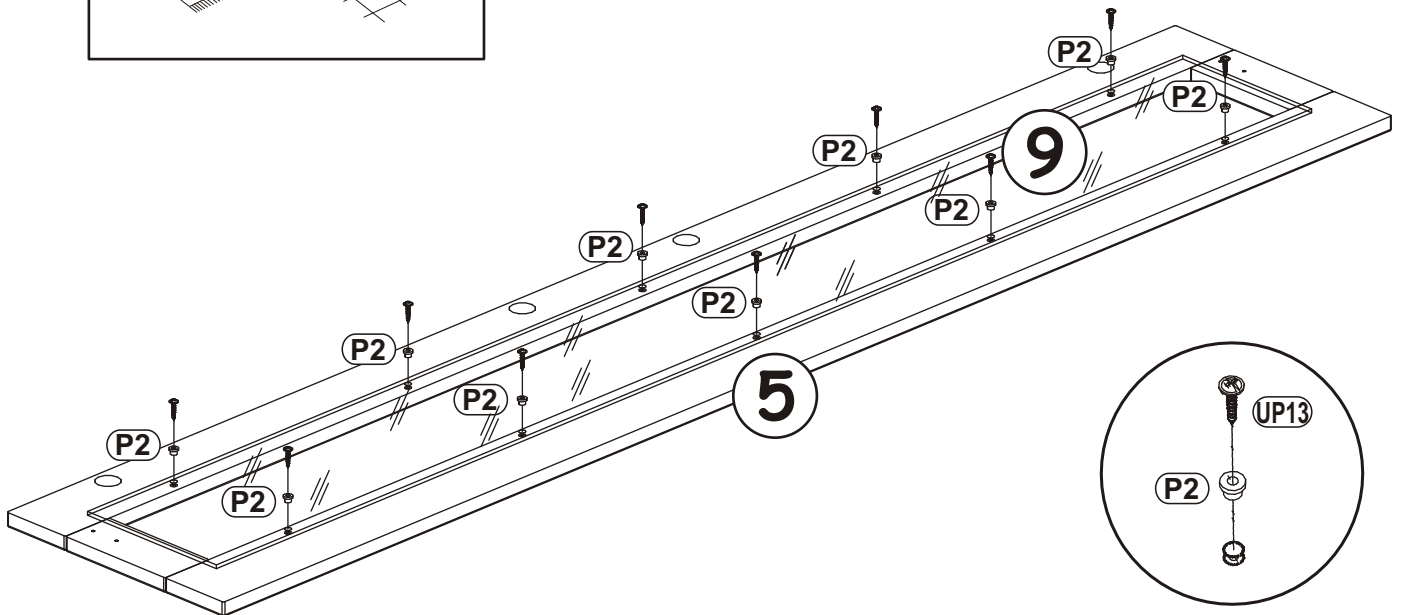
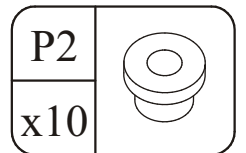
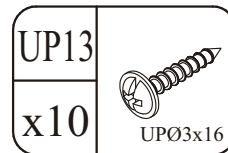
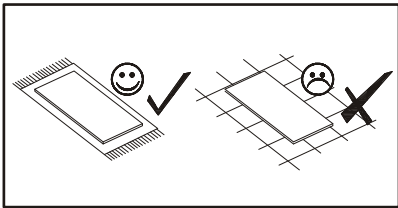


FLY TYP-51

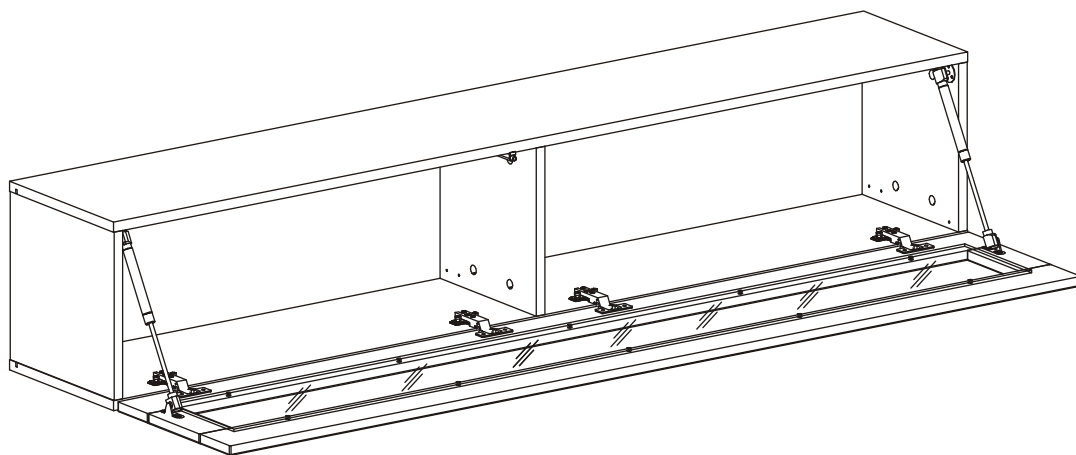
2



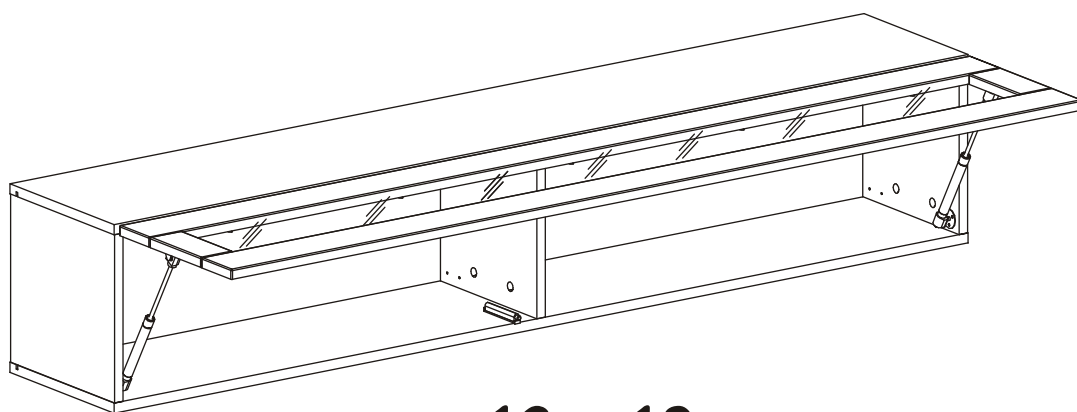
3







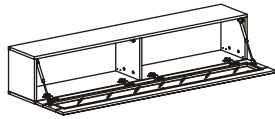
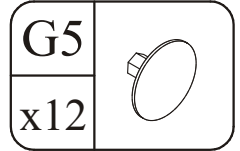
**4 - 11**



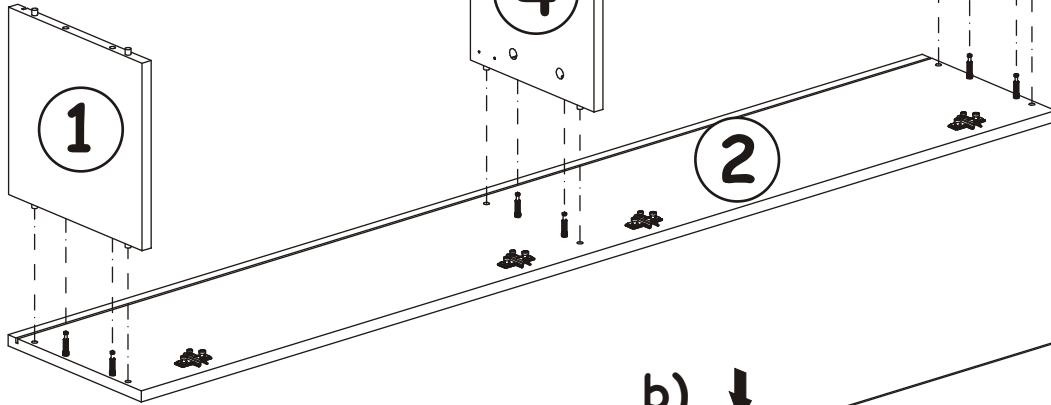
**12 - 19**

FLY TYP-51

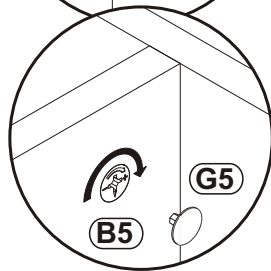
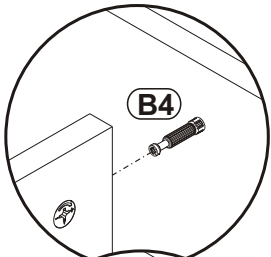
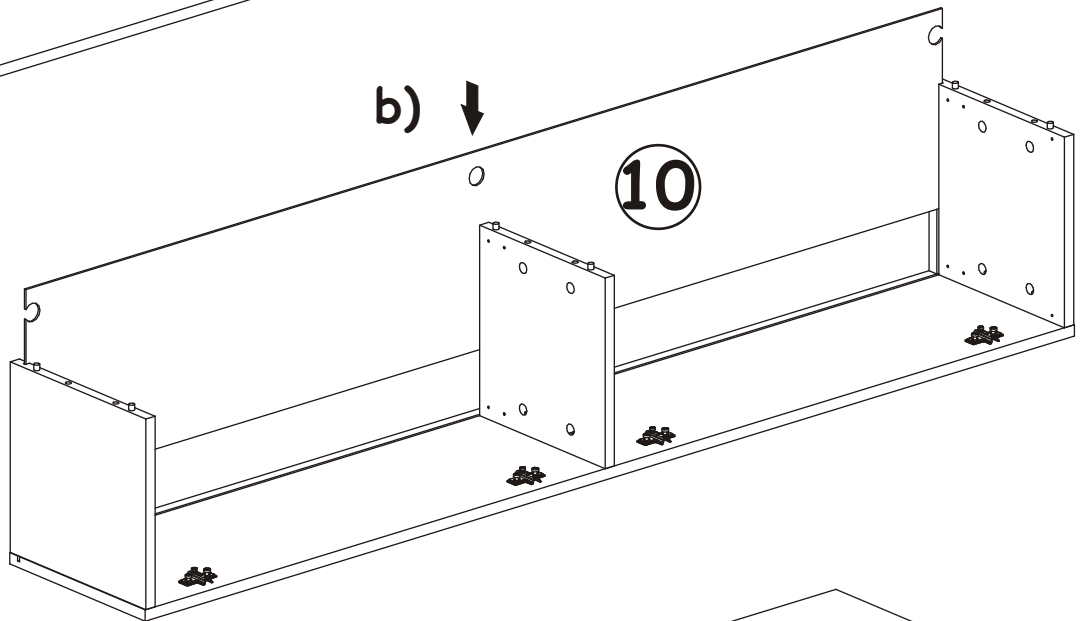
4



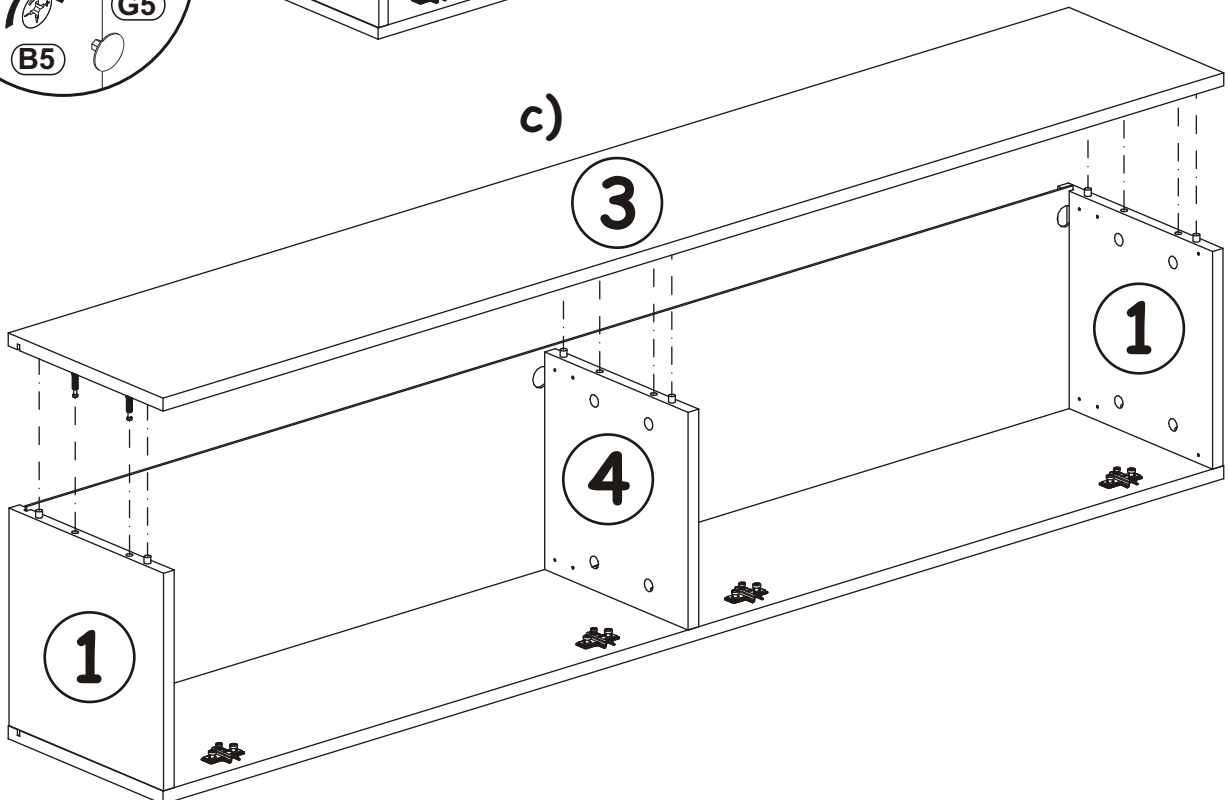
a)



b) ↓

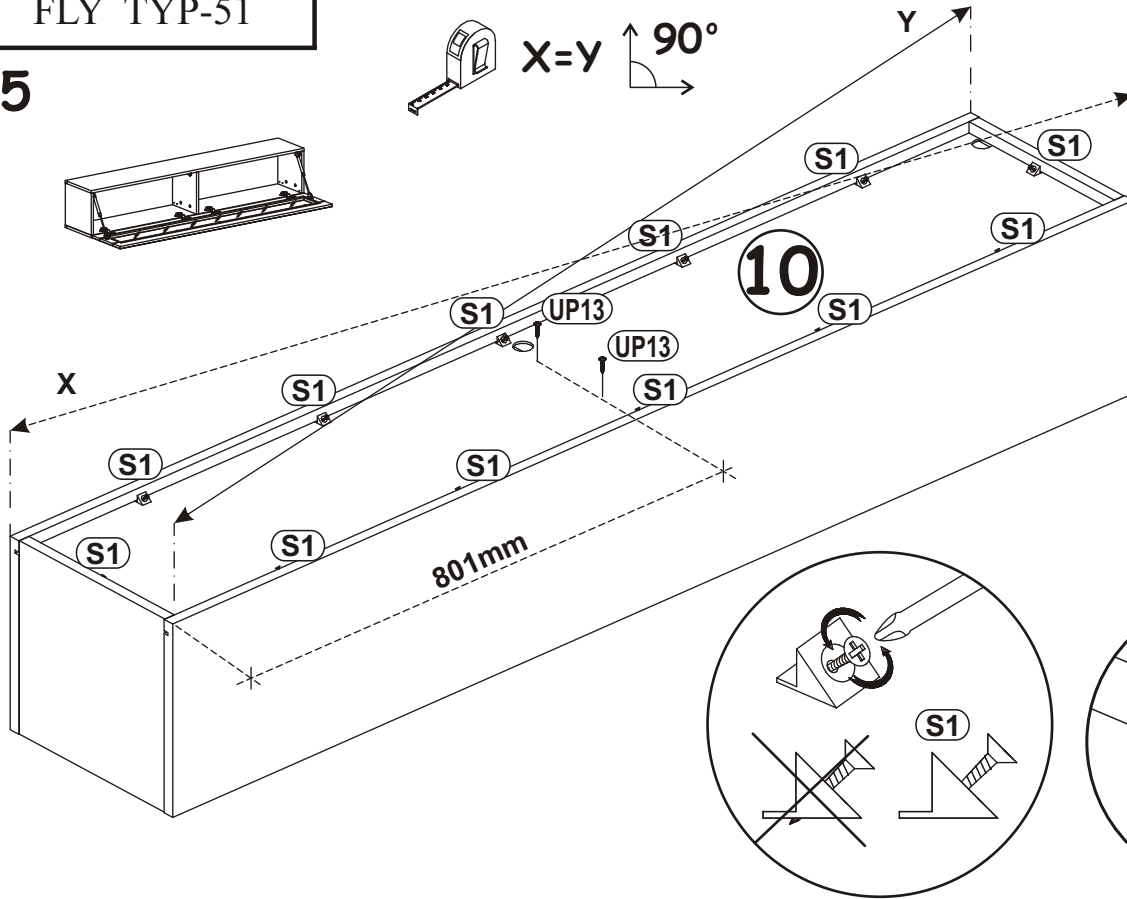


c)



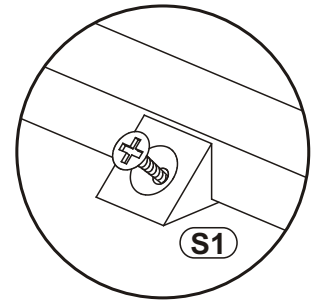
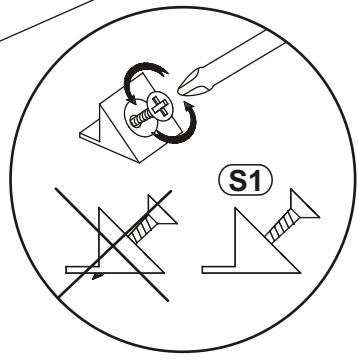
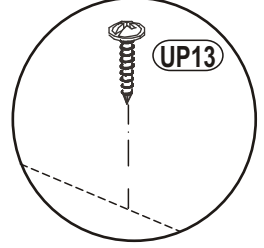
FLY TYP-51

5

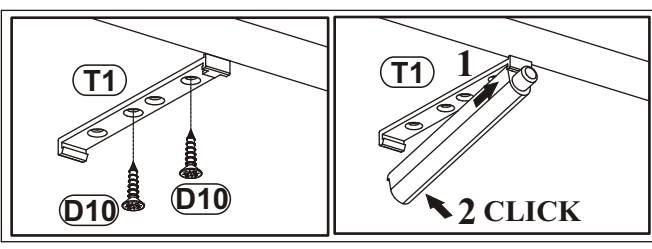


UP13	
x2	UPØ3x16

S1	
x12	



6

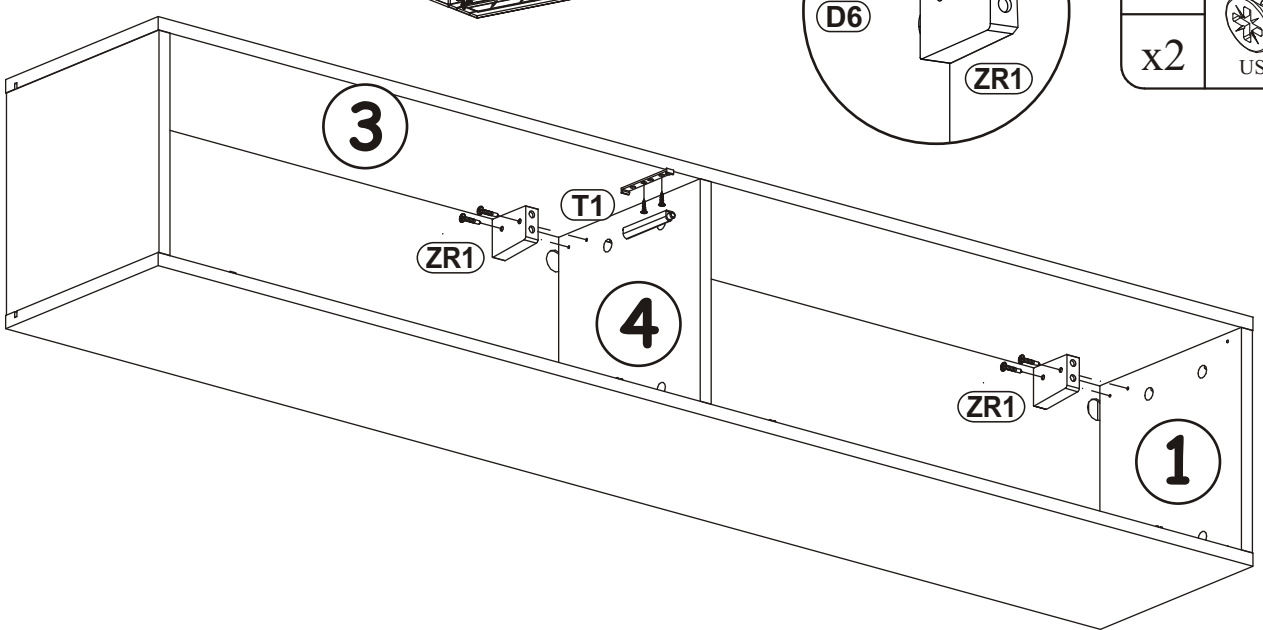
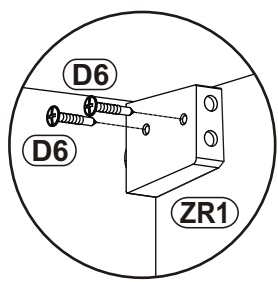
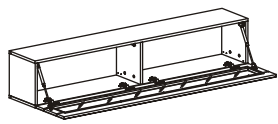


ZR1	
x2	

D6	
x4	USØ3,5x30

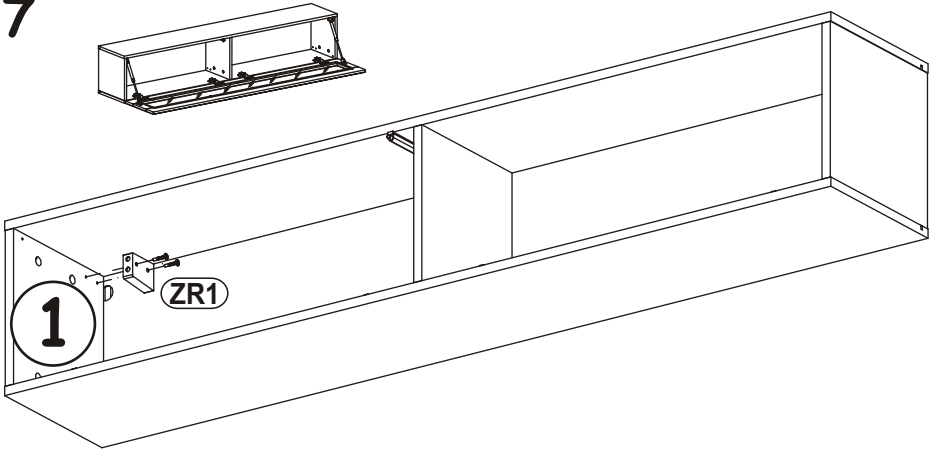
T1	
x1	

D10	
x2	USØ3,5x13

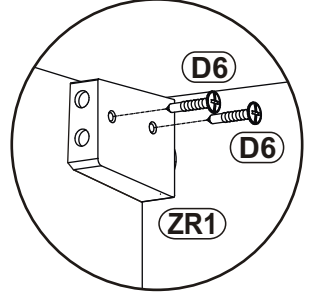


FLY TYP-51

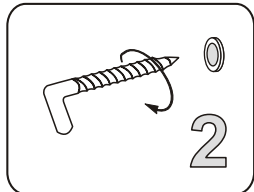
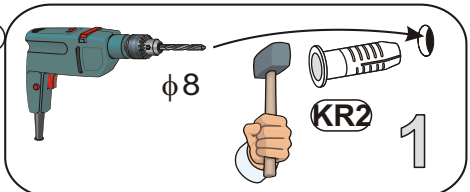
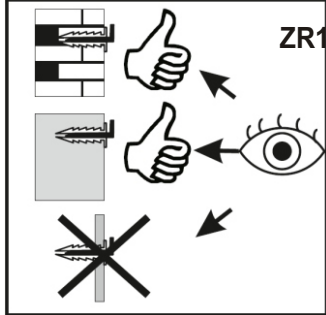
7



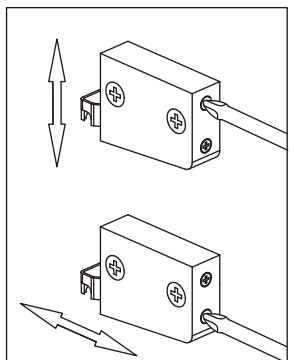
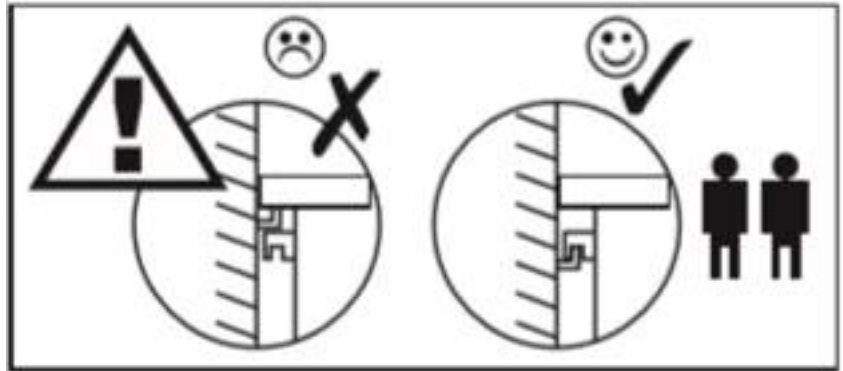
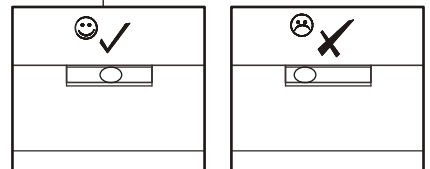
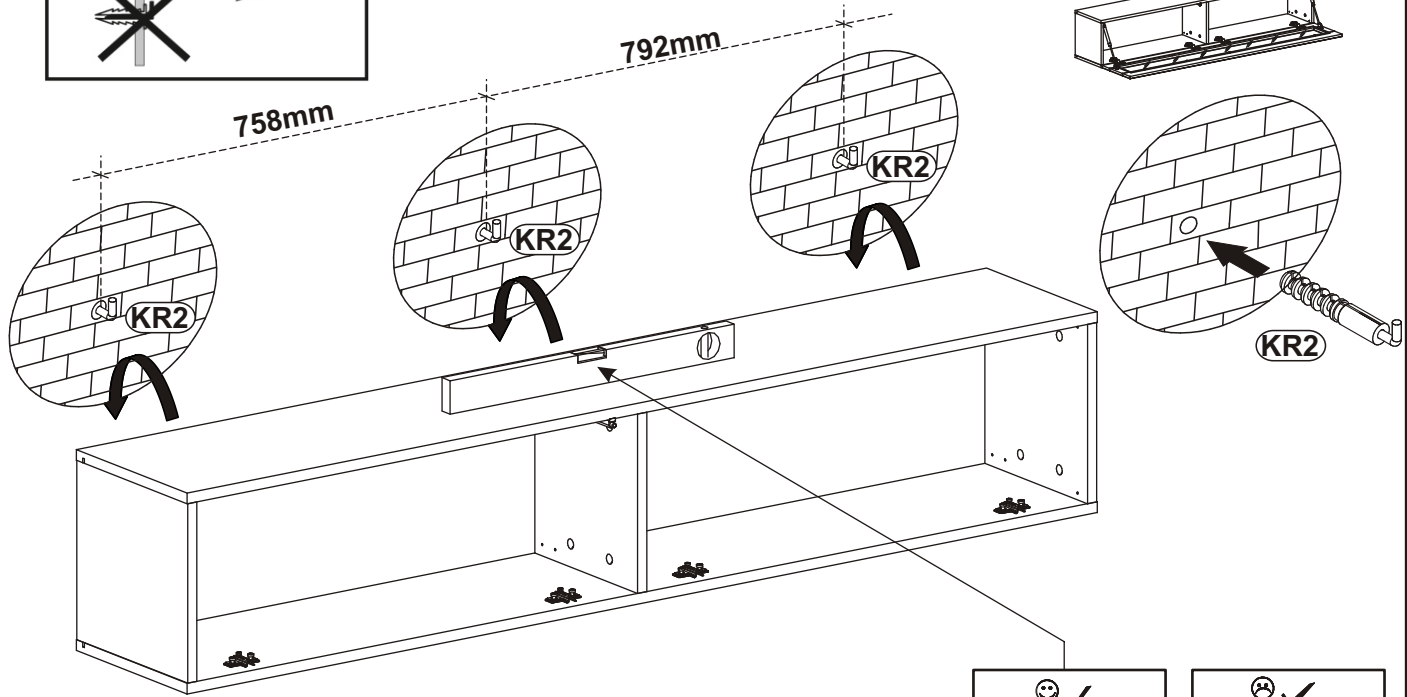
ZR1		D6	
x1		x2	USØ3,5x30



8

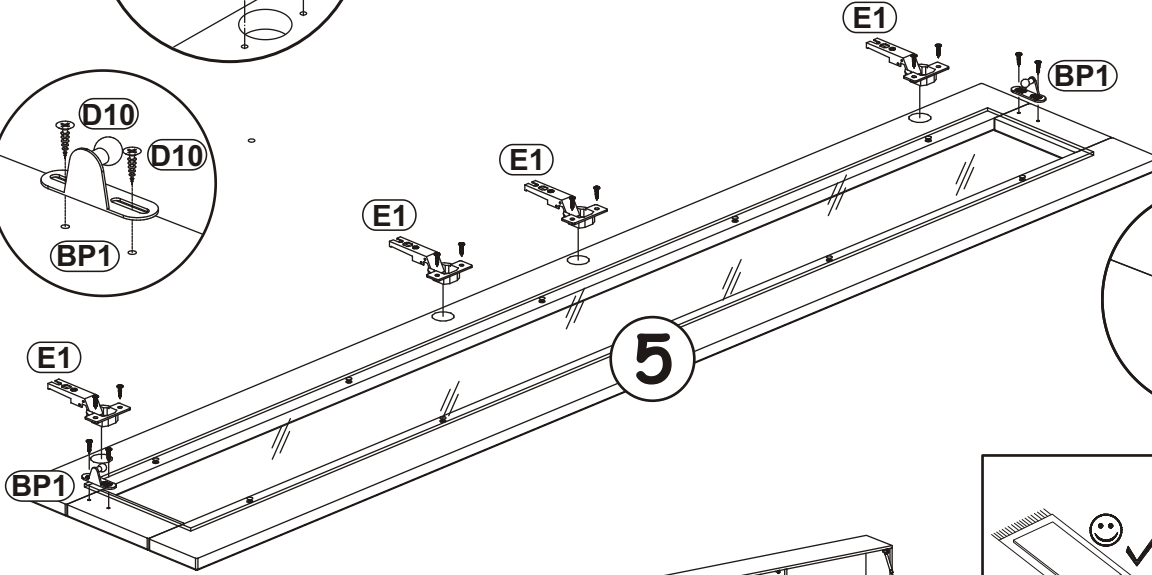
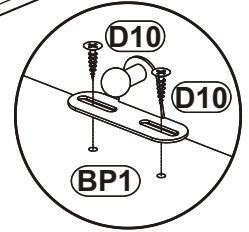
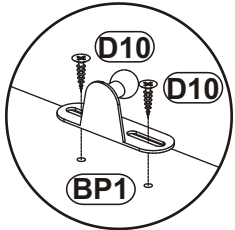
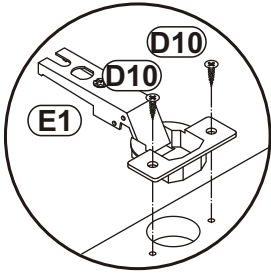
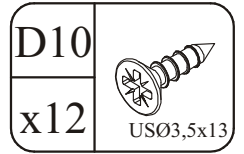
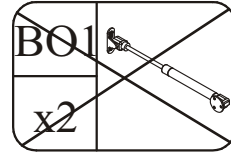
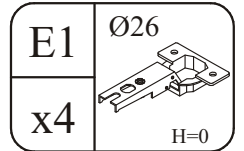
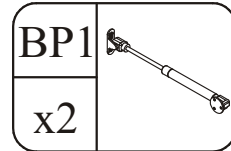
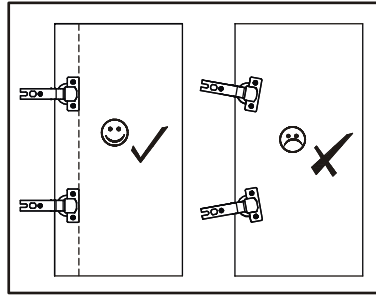


KR2	
x3	

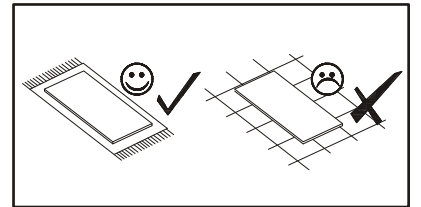


FLY TYP-51

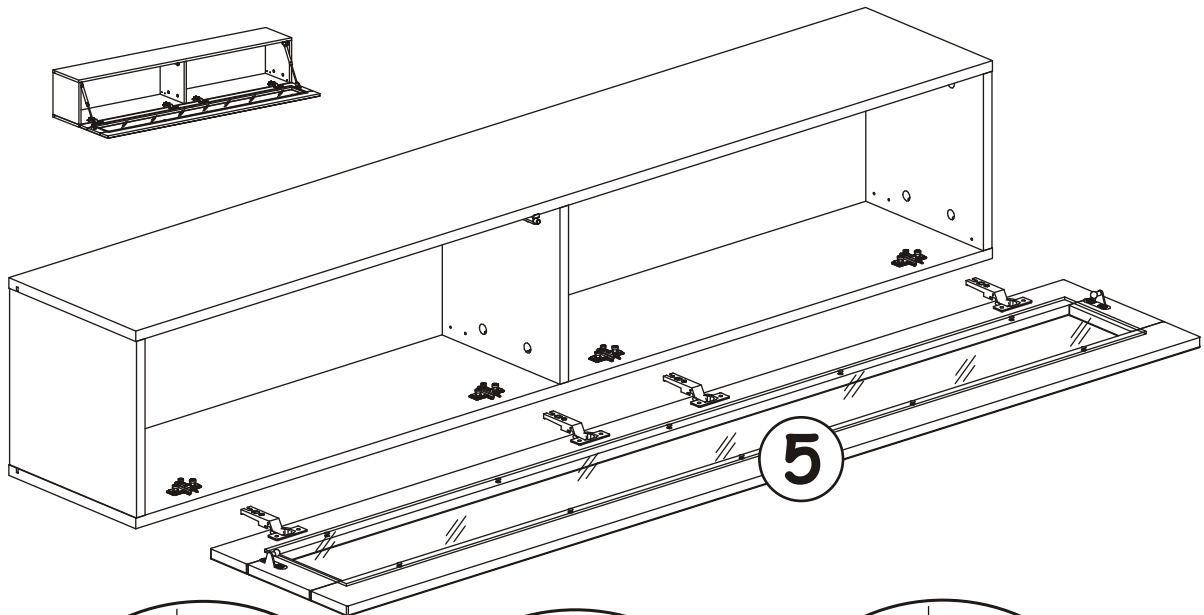
9



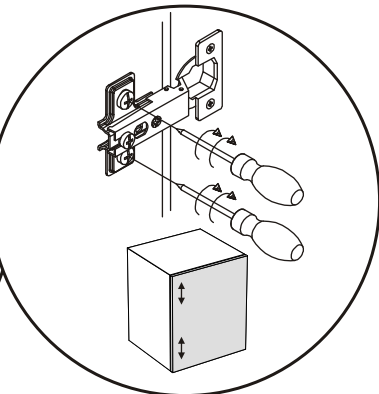
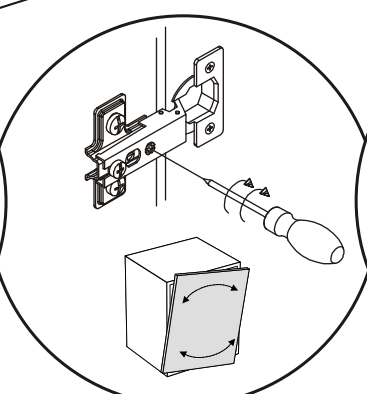
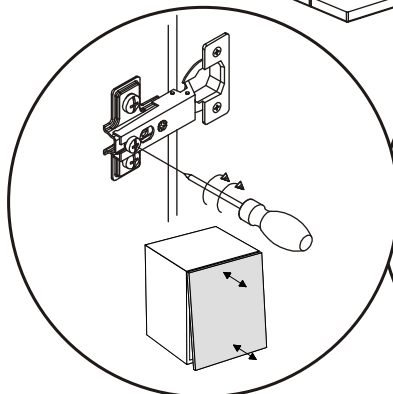
5




10

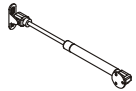


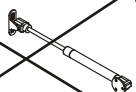
5

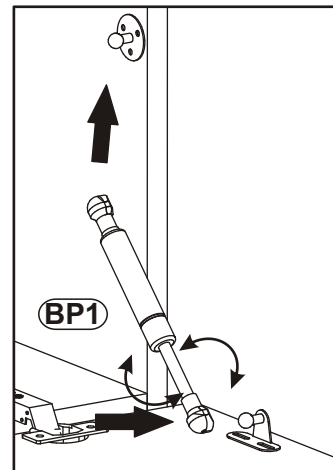
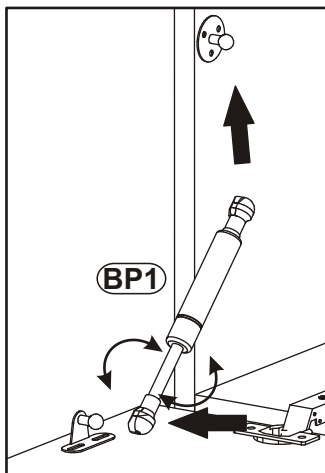
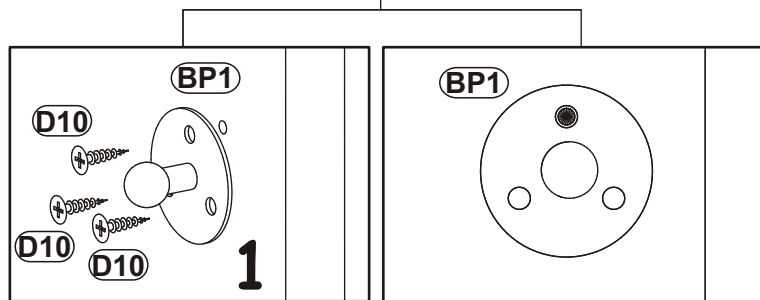
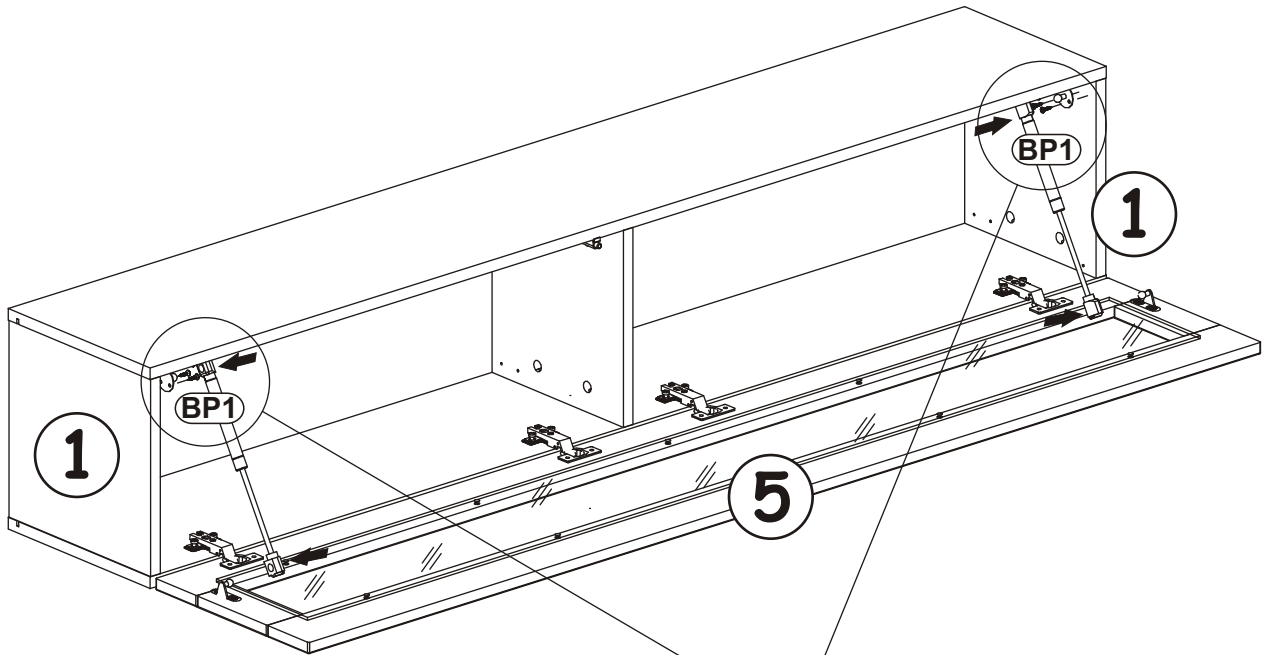
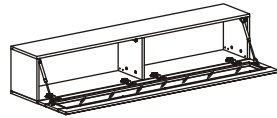


11

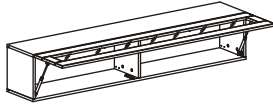
D10	
x6	USØ3,5x13

BP1	
x2	

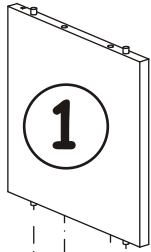
<del>BO1</del>	<del></del>
<del>x2</del>	



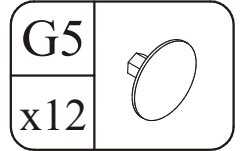
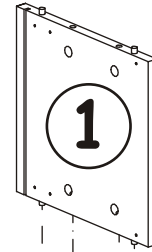
12



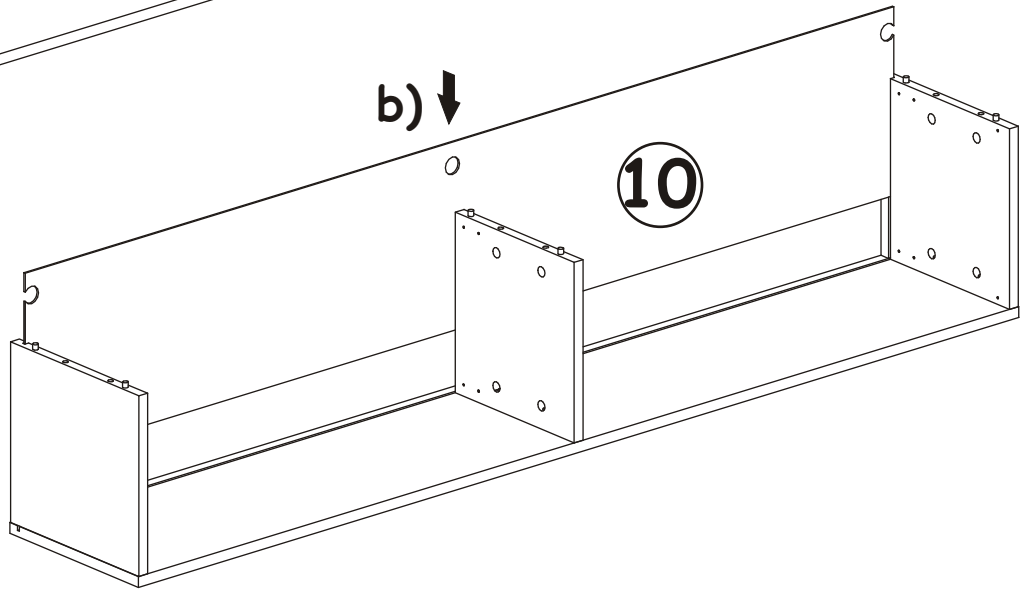
a)



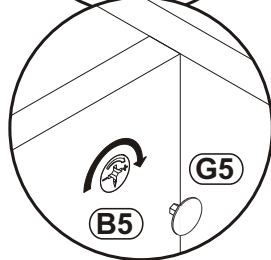
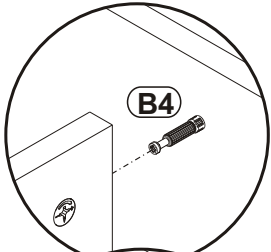
3



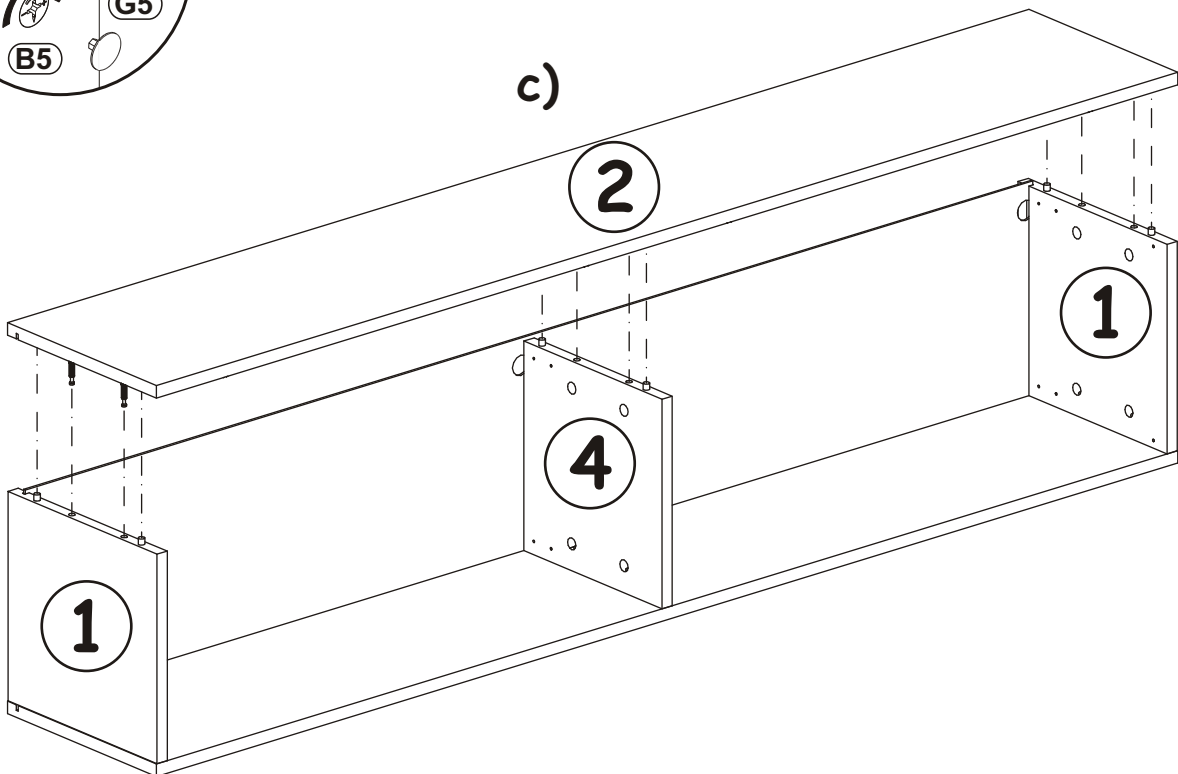
b) ↓



10



c)



2

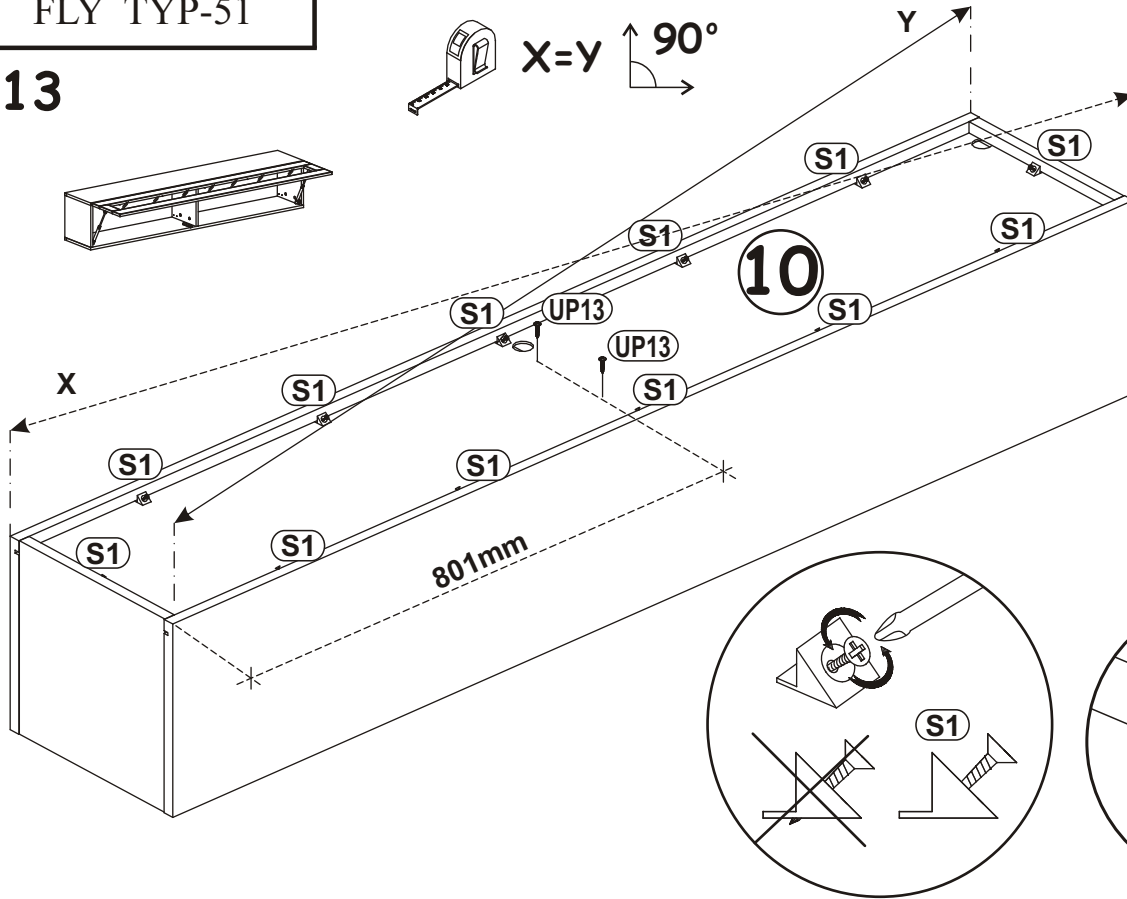
4

1

1

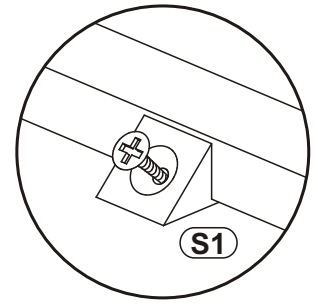
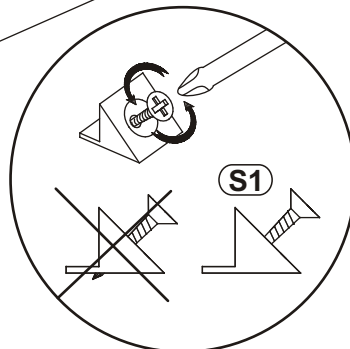
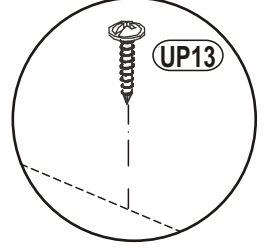
FLY TYP-51

13

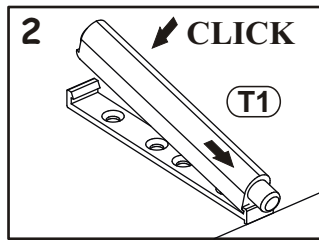
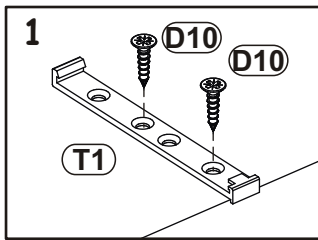


UP13	
x2	UPØ3x16

S1	
x12	



14

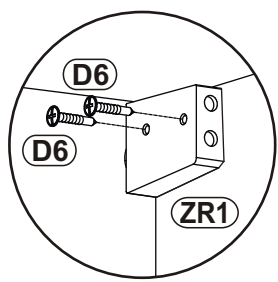
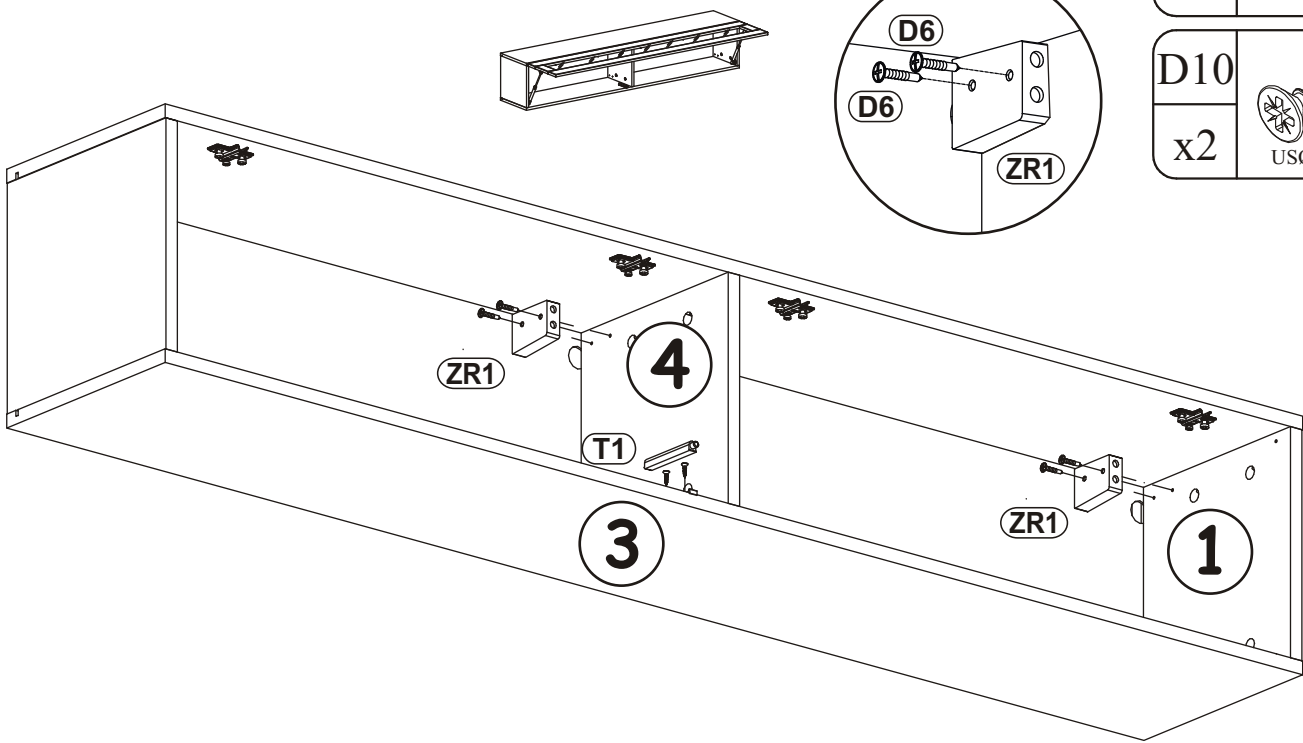


ZR1	
x2	

D6	
x4	USØ3,5x30

T1	
x1	

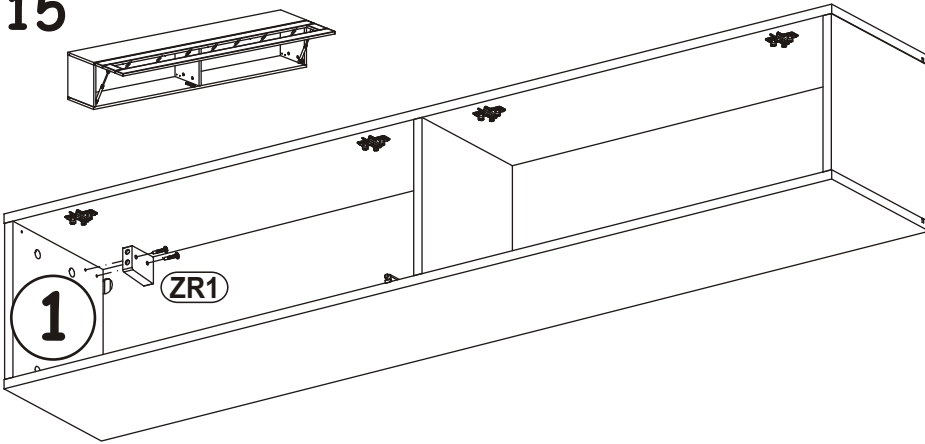
D10	
x2	USØ3,5x13



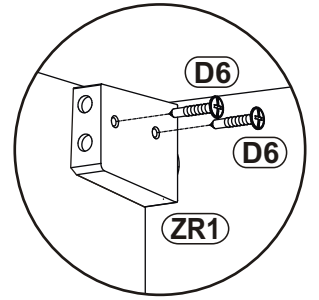


FLY TYP-51

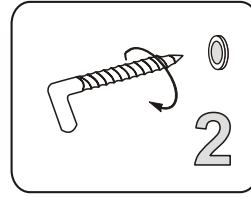
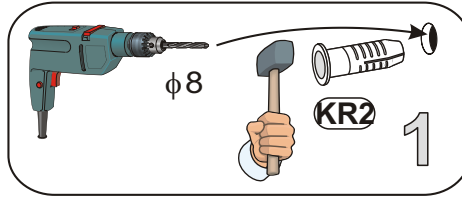
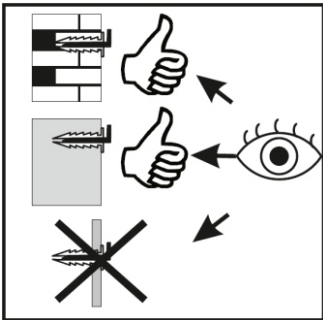
15



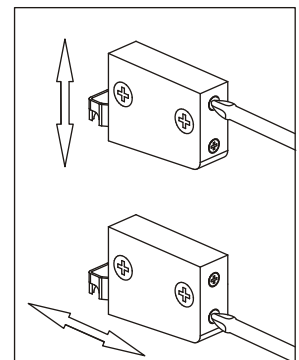
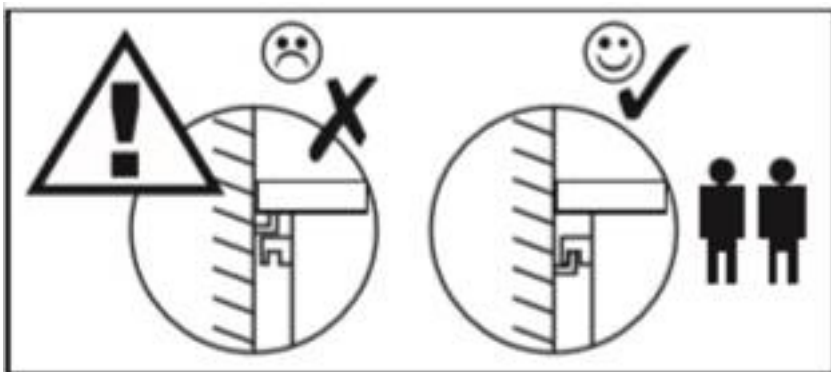
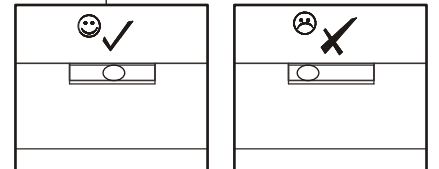
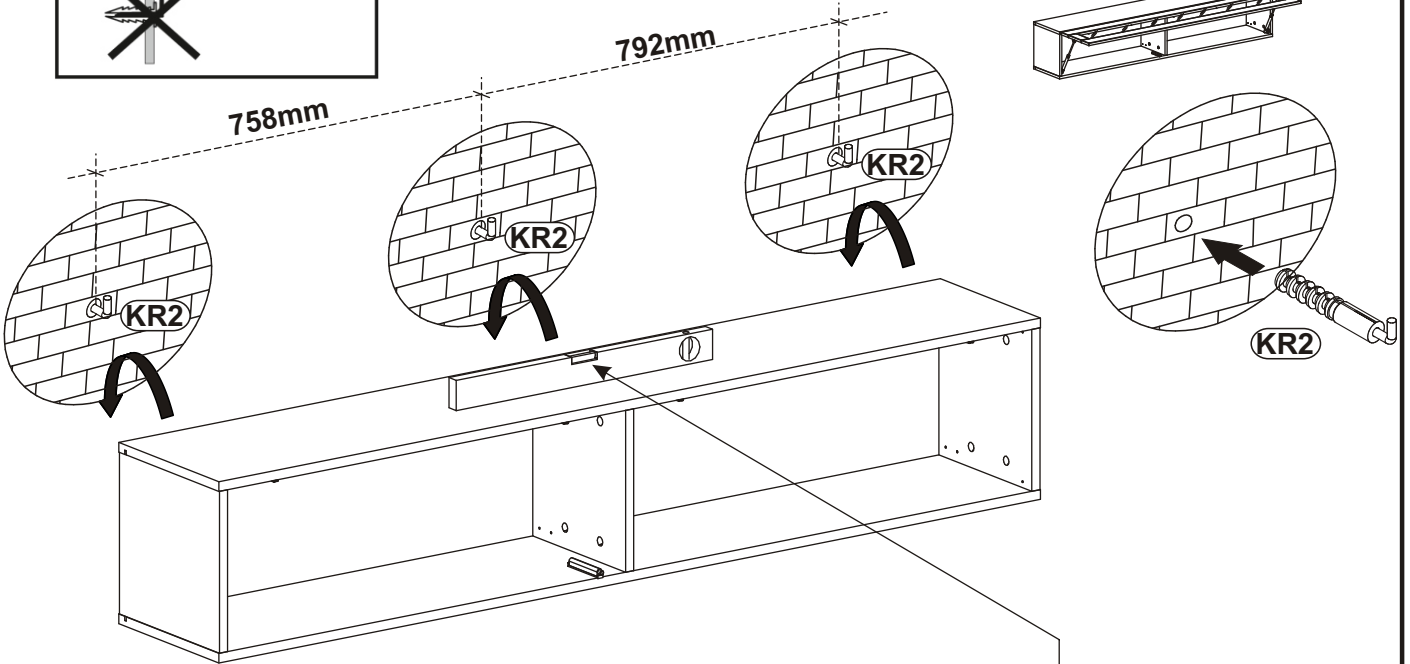
ZR1		D6	
x1		x2	USØ3,5x30



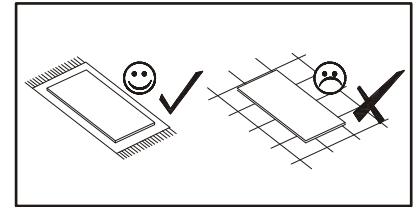
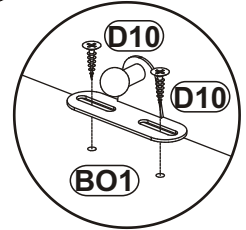
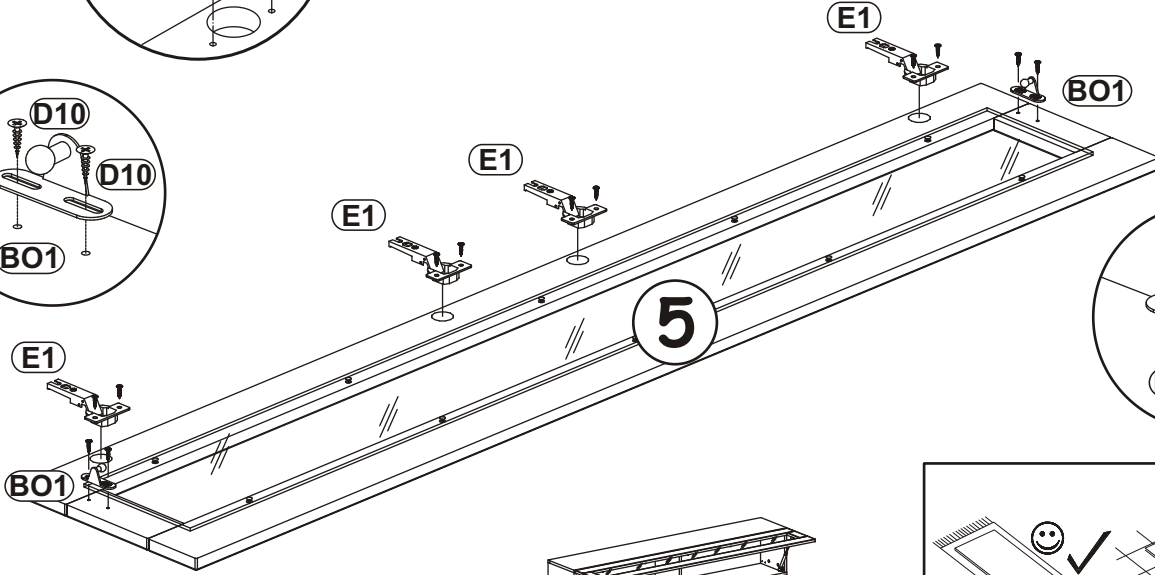
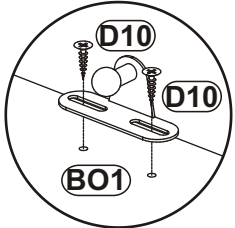
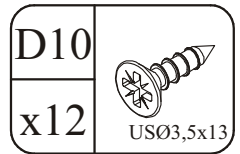
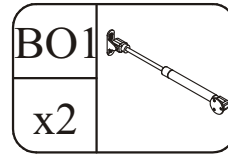
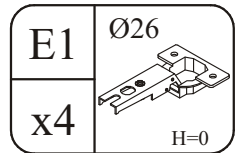
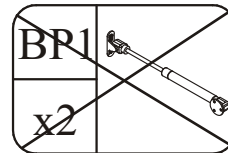
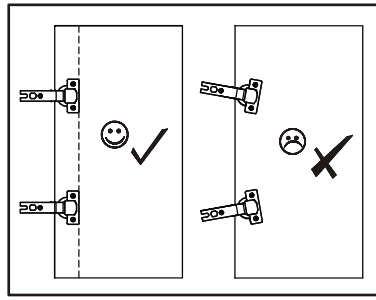
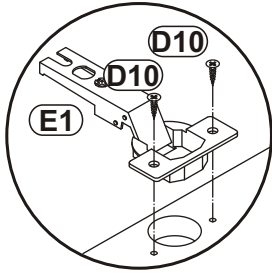
16



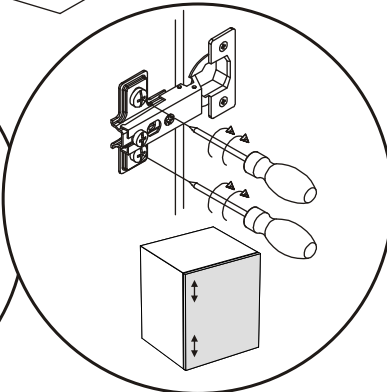
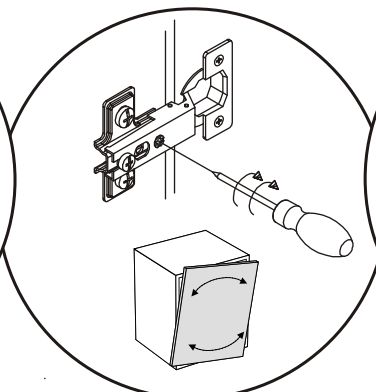
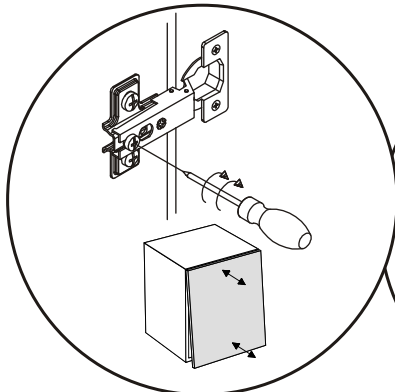
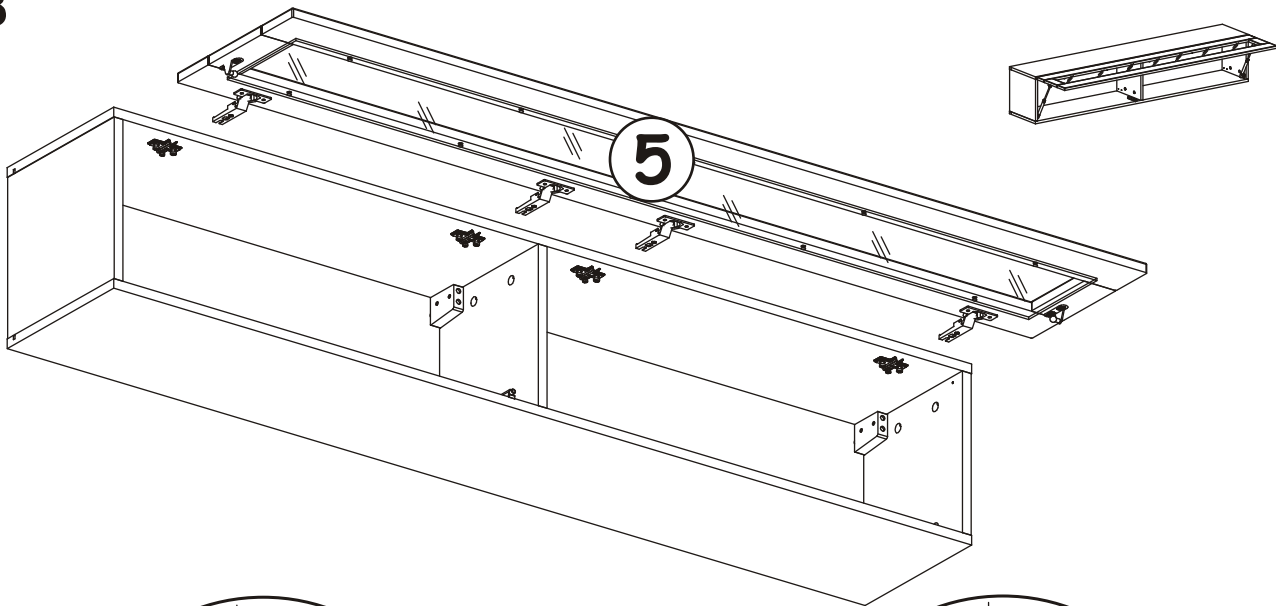
KR2	
x3	



17



18



FLY TYP-51

