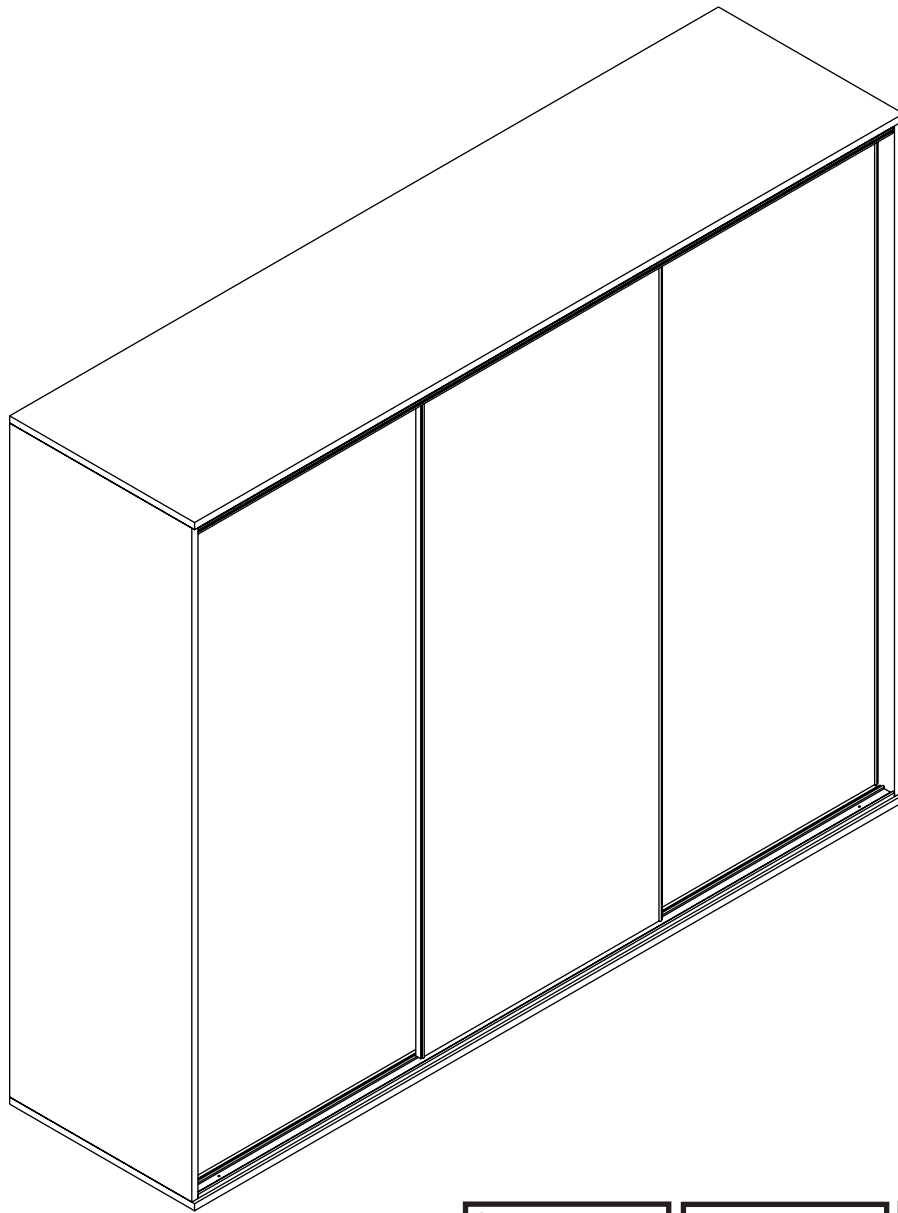
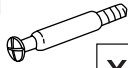
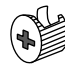






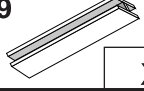
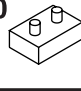

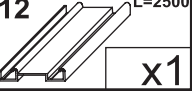
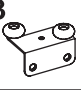



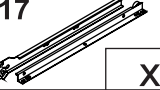

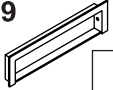


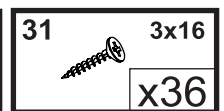
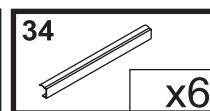
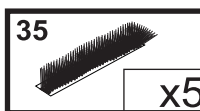


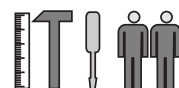
PENELOPA 255



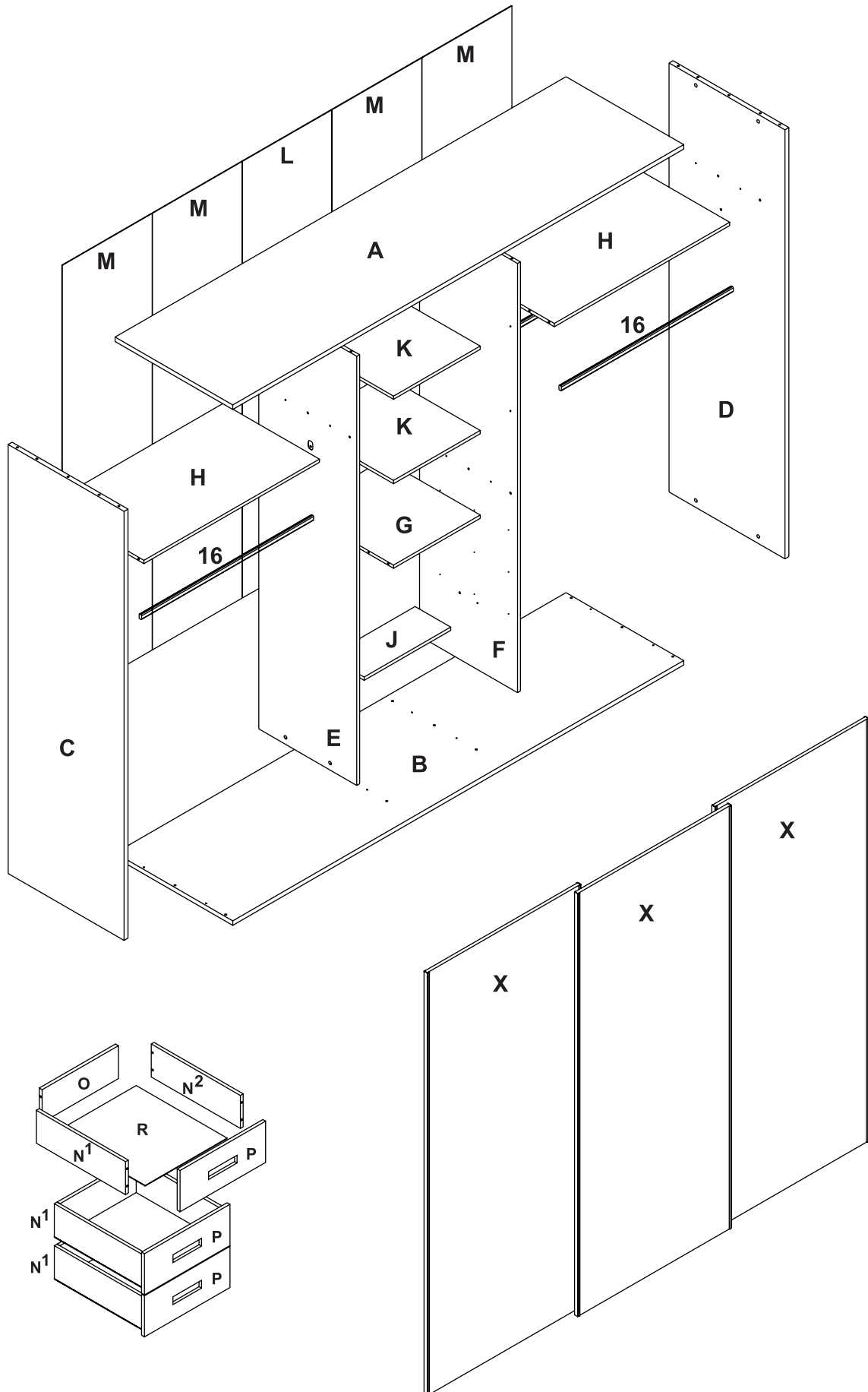
1  x30	2  x30	3  8x35 x68	4  x30	5  x195	6  x4
7  x8	8  3,5x16 x55	9  x2	10  x12	11  L=2500 x1	12  L=2500 x1
13  x6	14  x6	20  x1	16  x2	17  x6	
18  x4	19  x3	30  x2	15  3x13 x12		

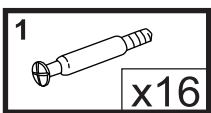


Czas mont. - 180 min.

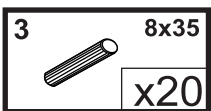
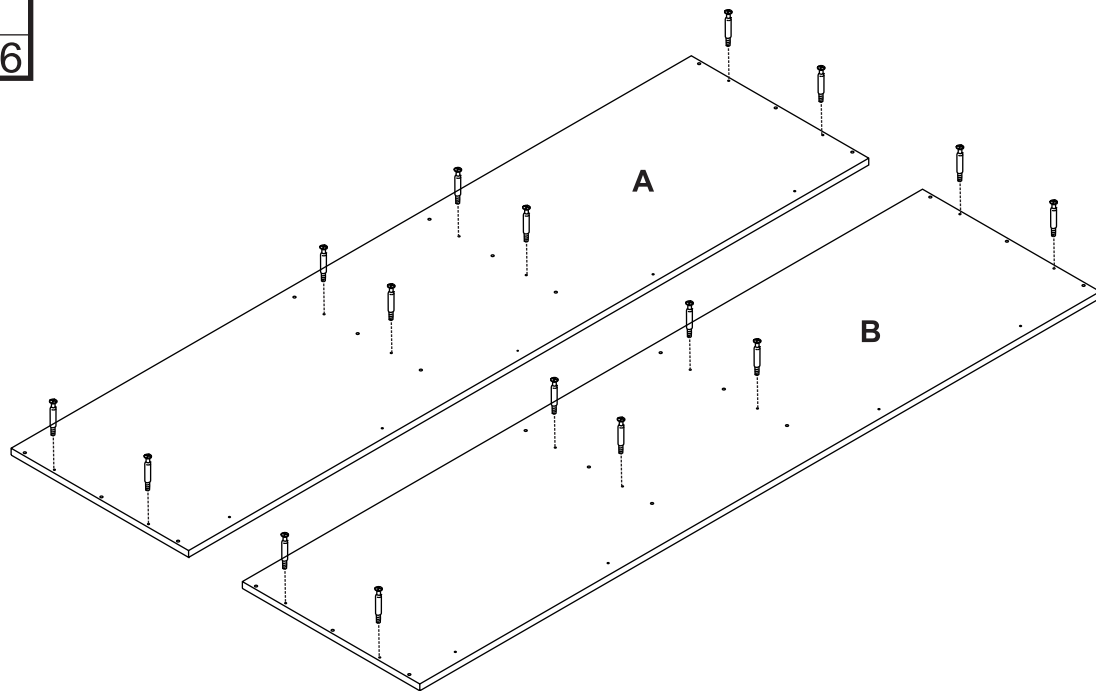


PENELOPA 255

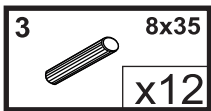
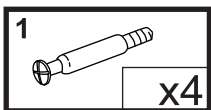
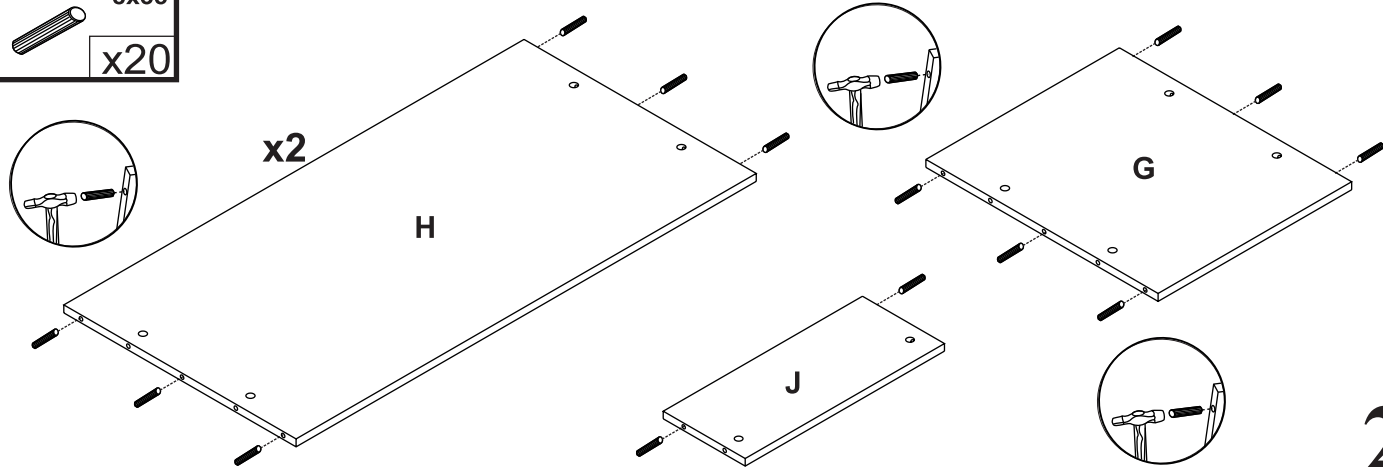




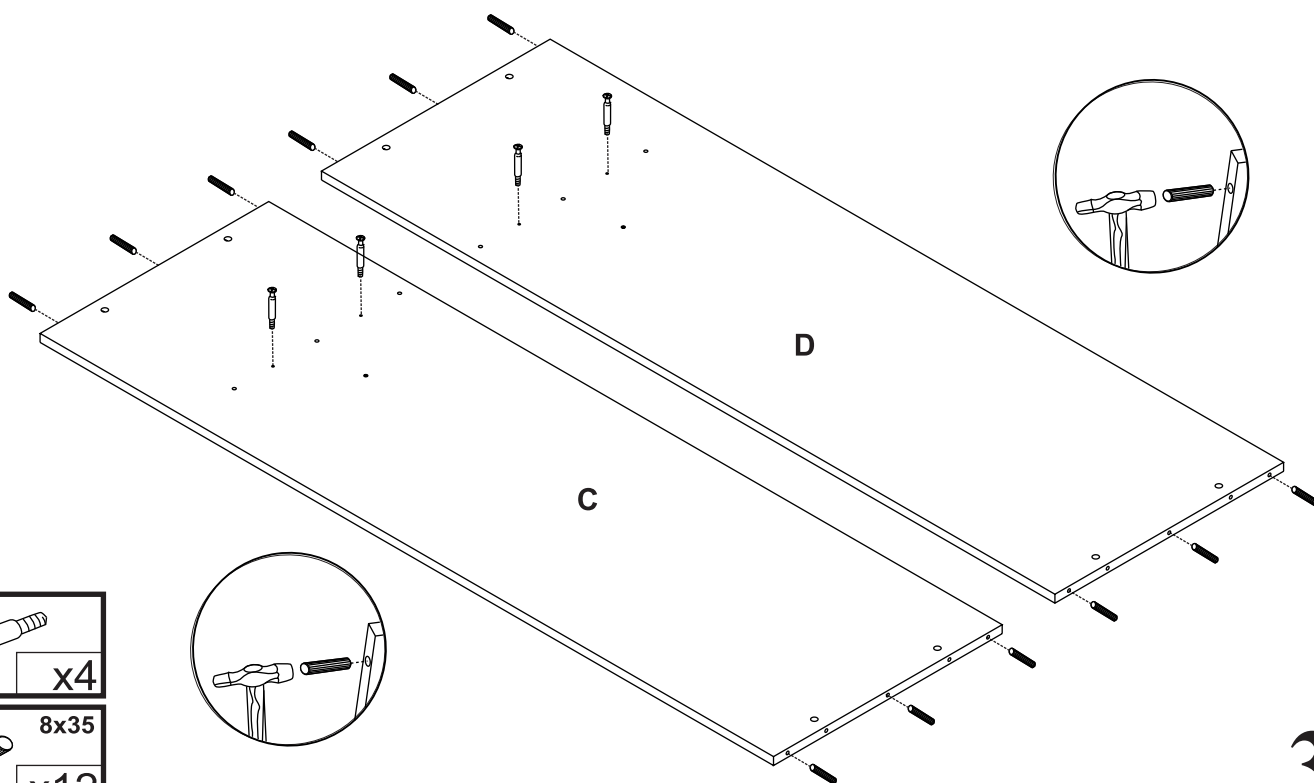
1

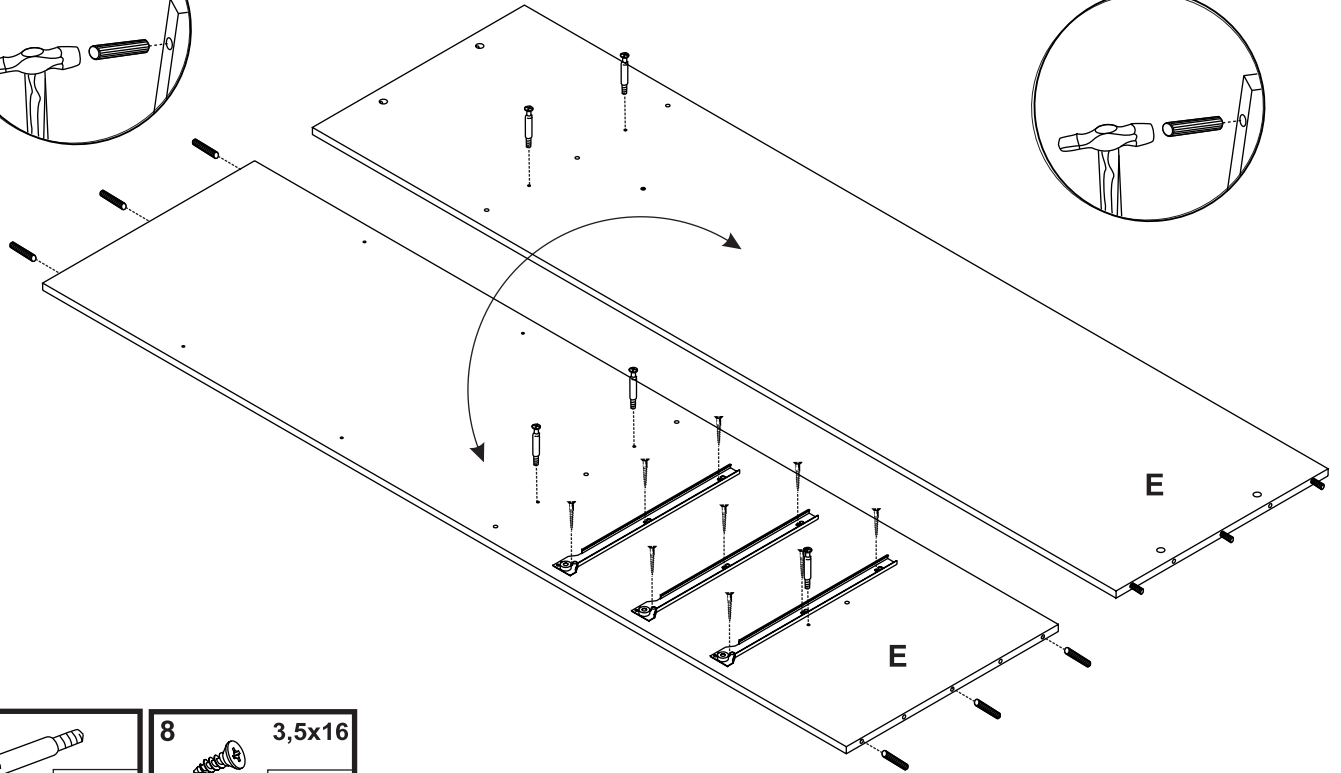
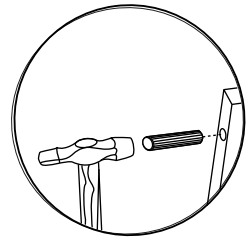
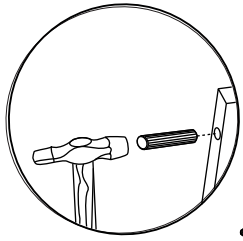


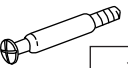



2

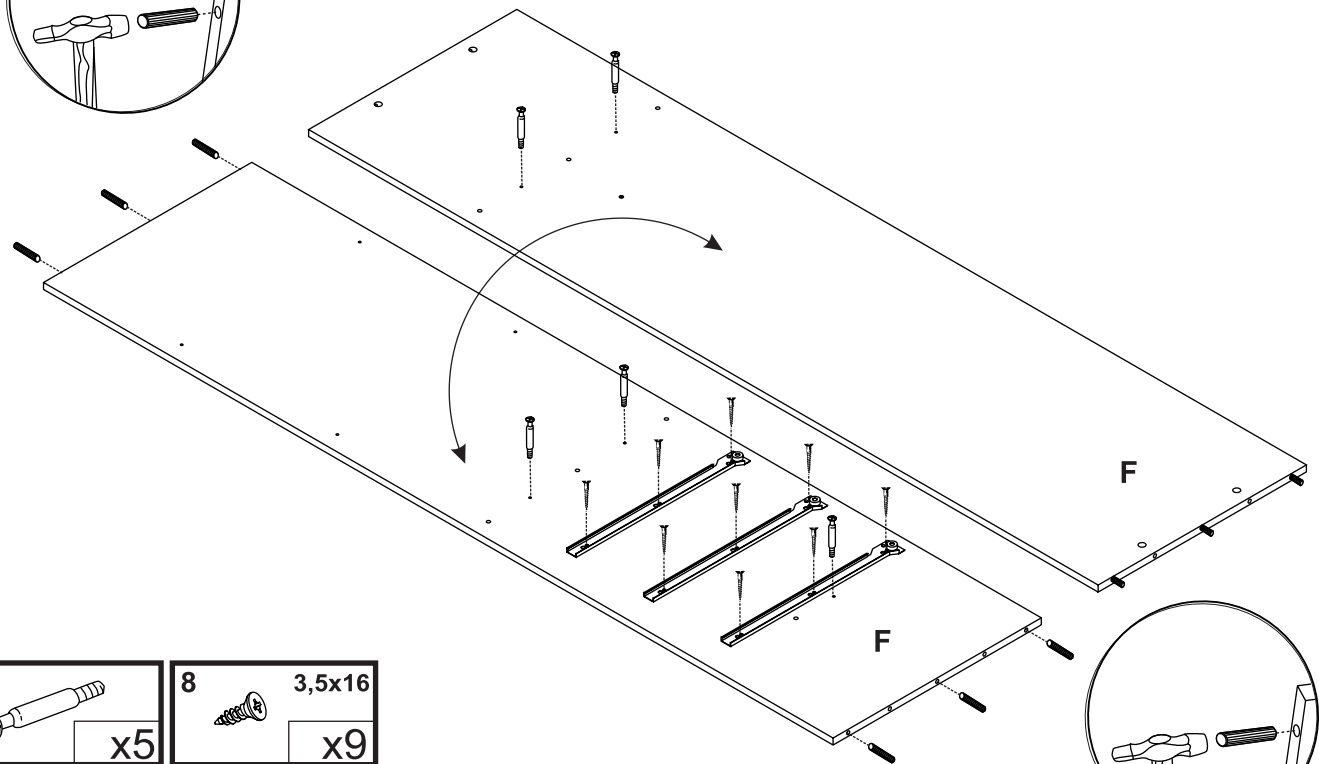
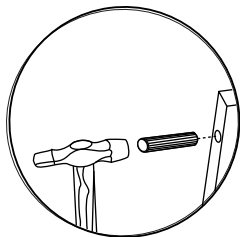
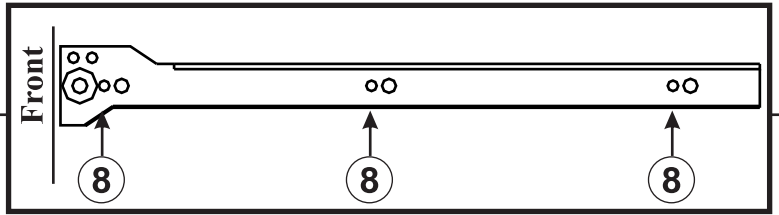


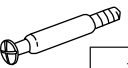



3

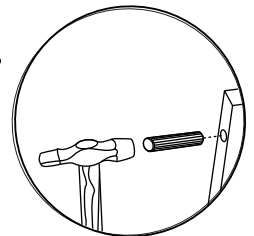




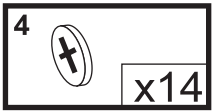
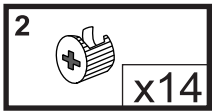
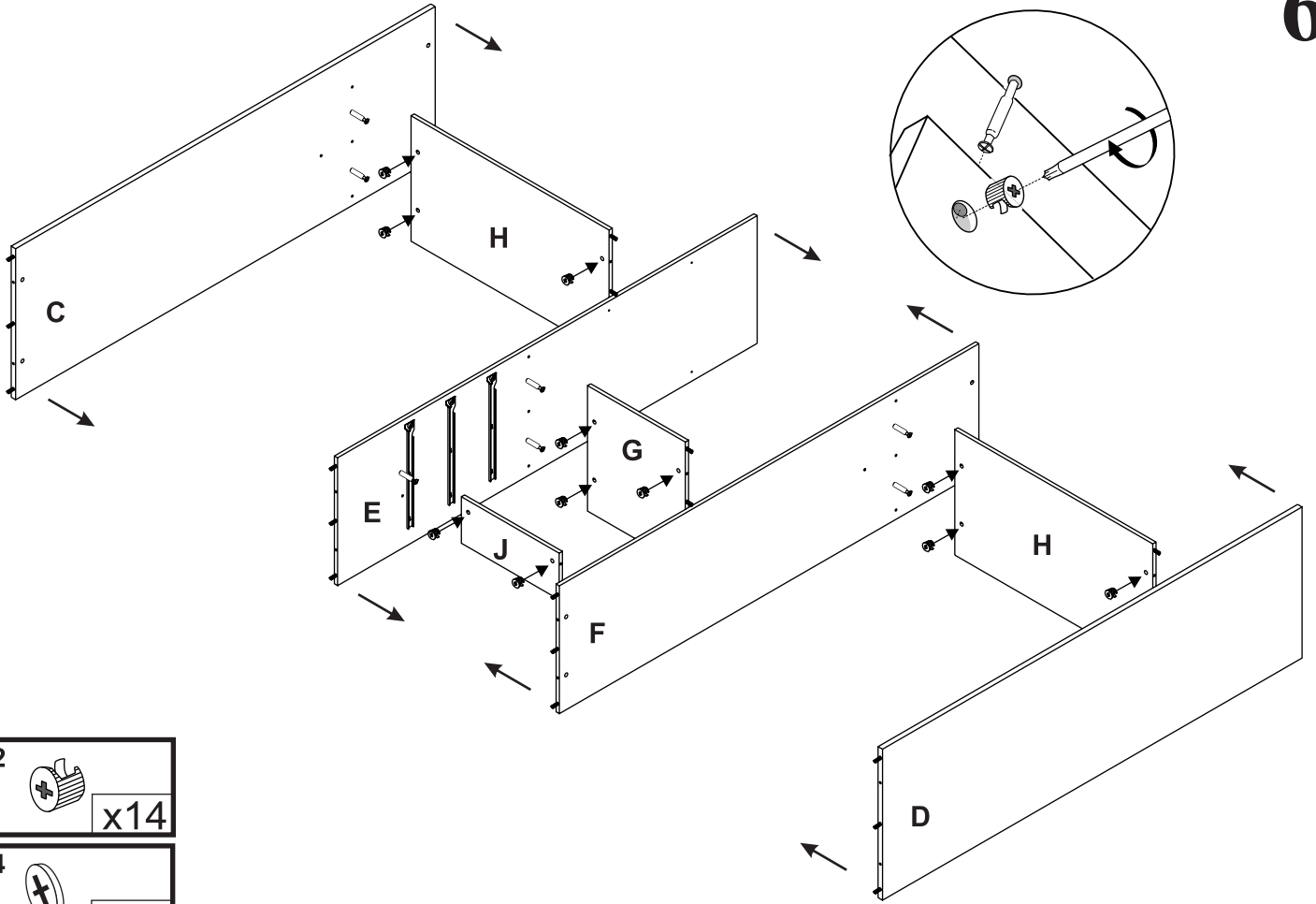
- | | | | | | | |
|---|---|------|----|---|---|----|
| 1 |  | x5 | 8 |  | 3,5x16 | x9 |
| 3 |  | 8x35 | x6 | 17 |  | x3 |



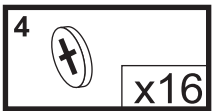
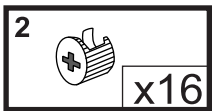
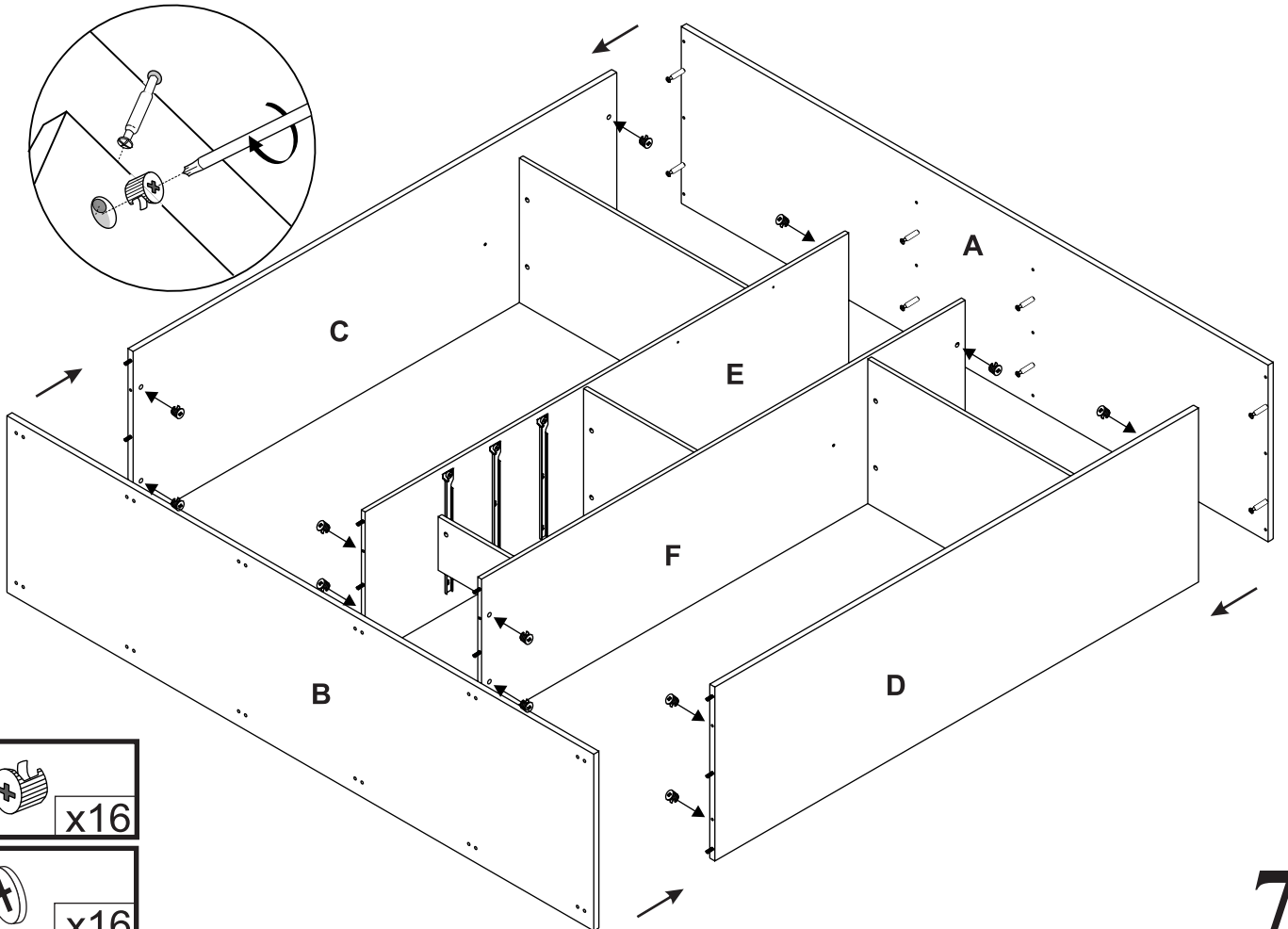
- | | | | | | | |
|---|---|------|----|---|---|----|
| 1 |  | x5 | 8 |  | 3,5x16 | x9 |
| 3 |  | 8x35 | x6 | 17 |  | x3 |

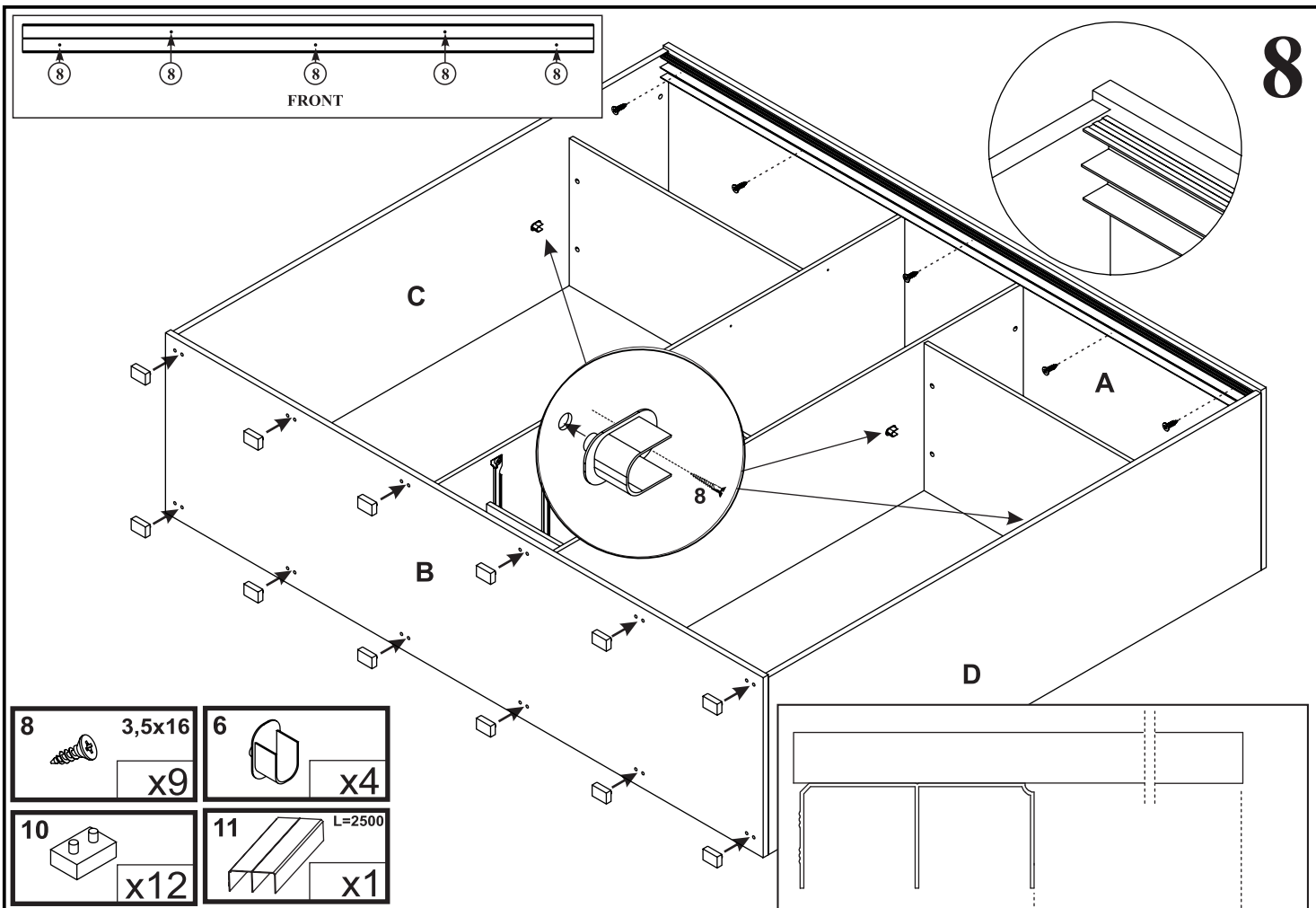


6

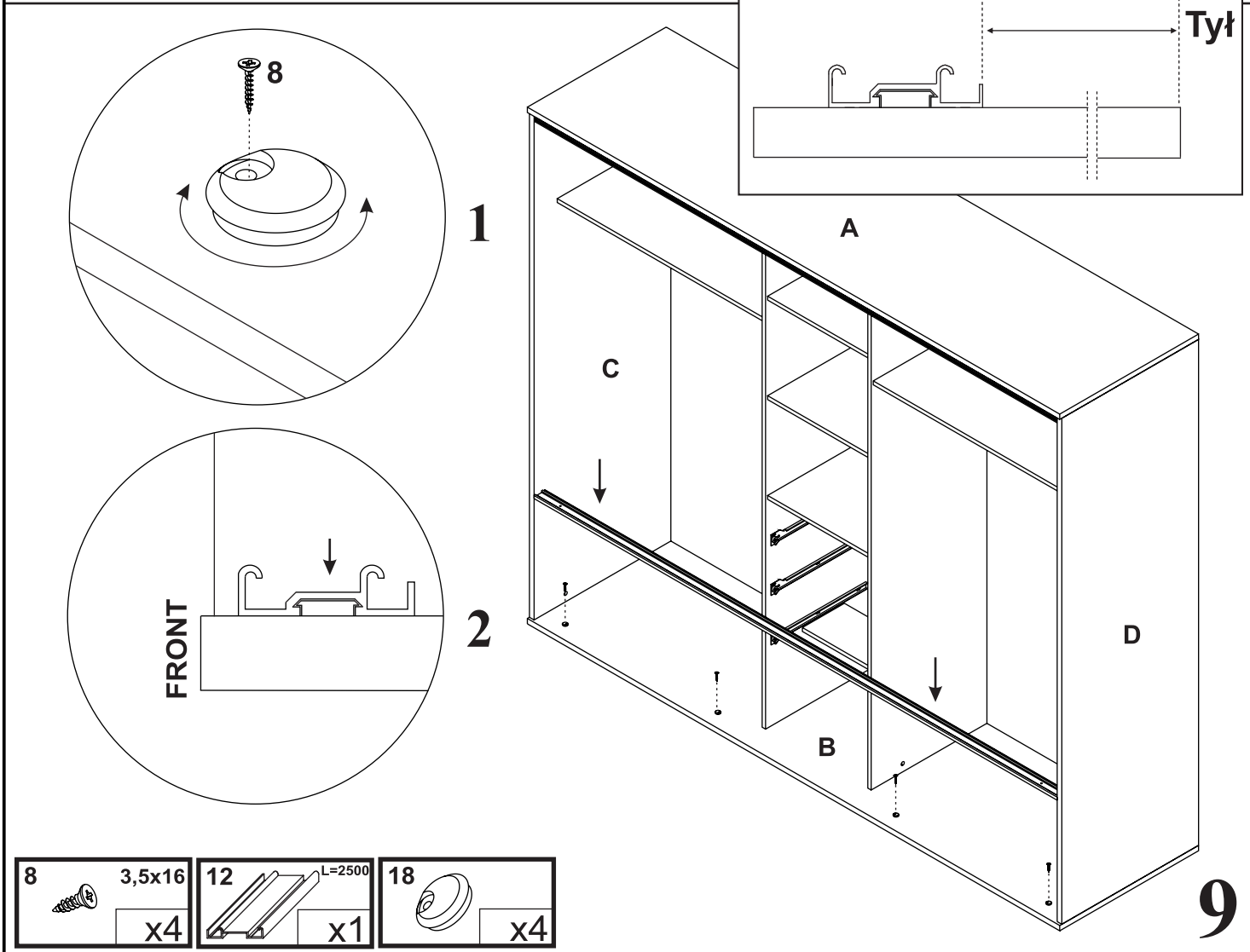


7



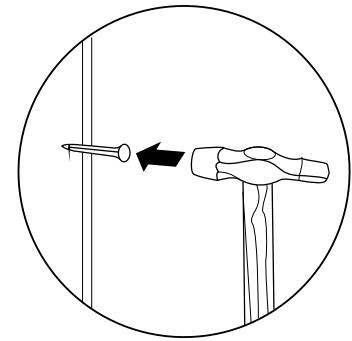
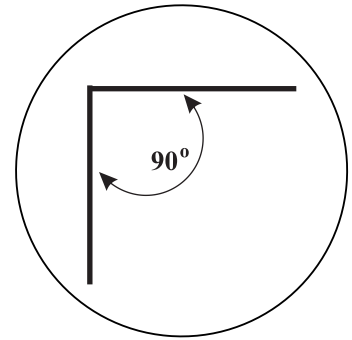
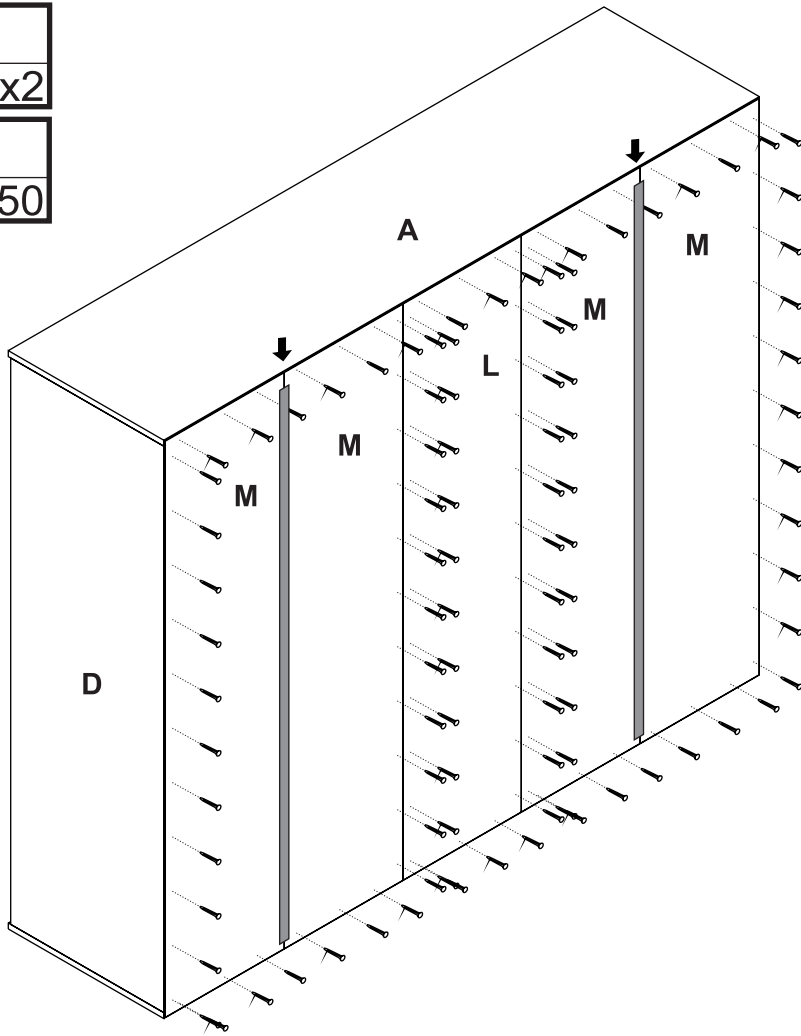


8

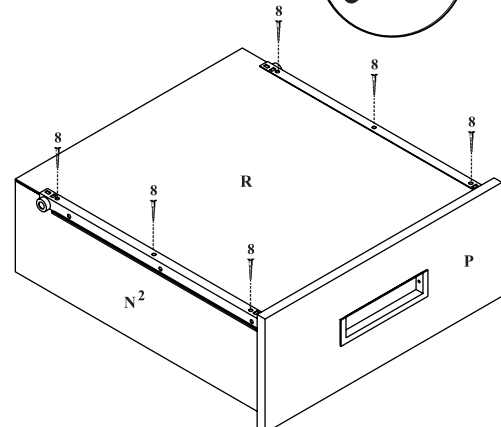
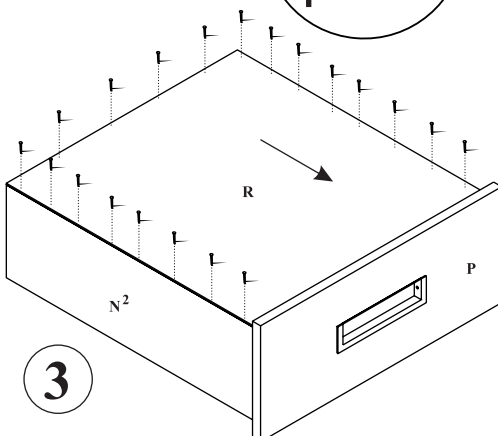
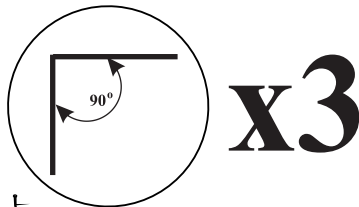
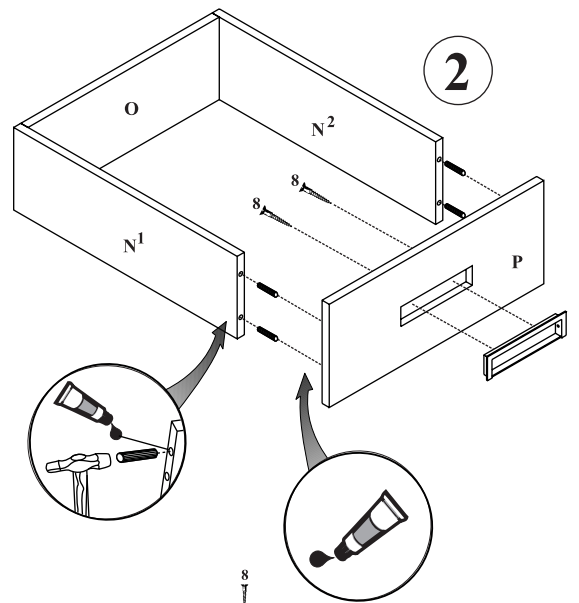
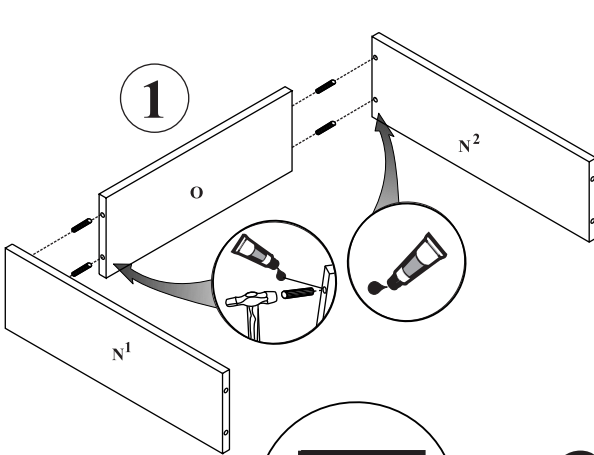


9

- 9 x2
- 5 x150

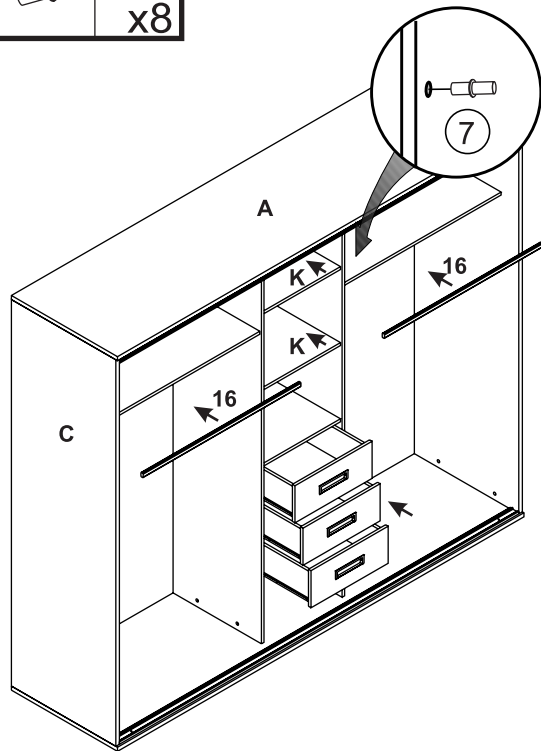
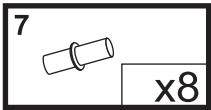
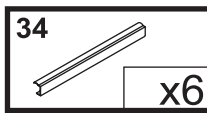


- 3 8x35 x24
- 17 x6
- 5 x45
- 19 x3
- 8 3,5x16 x24
- 20 x1

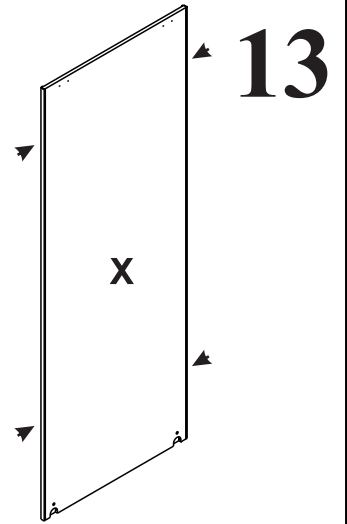
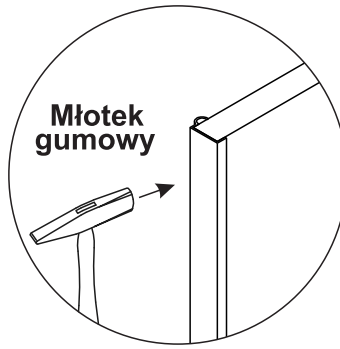




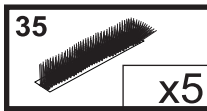
12



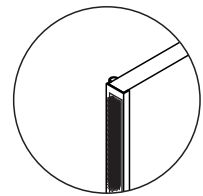
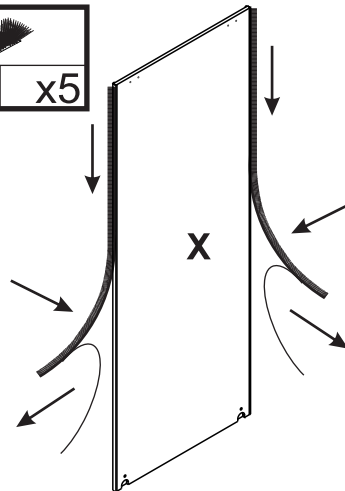
x3



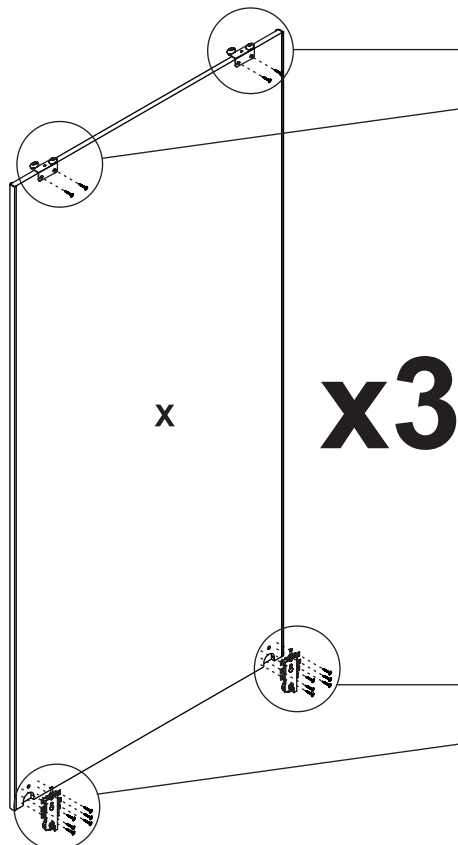
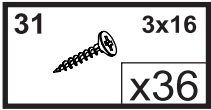
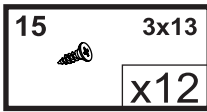
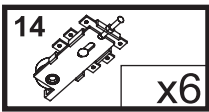
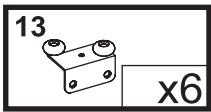
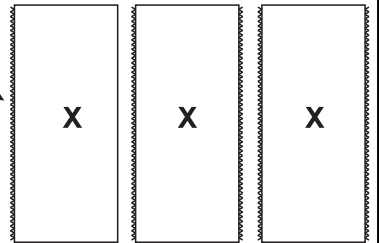
13



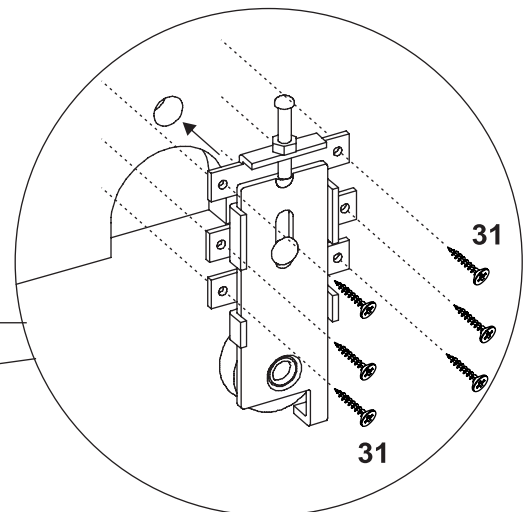
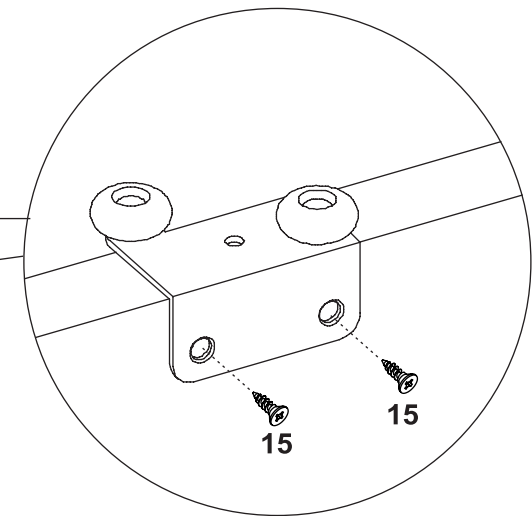
x3



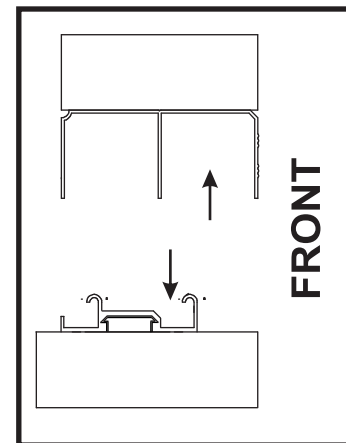
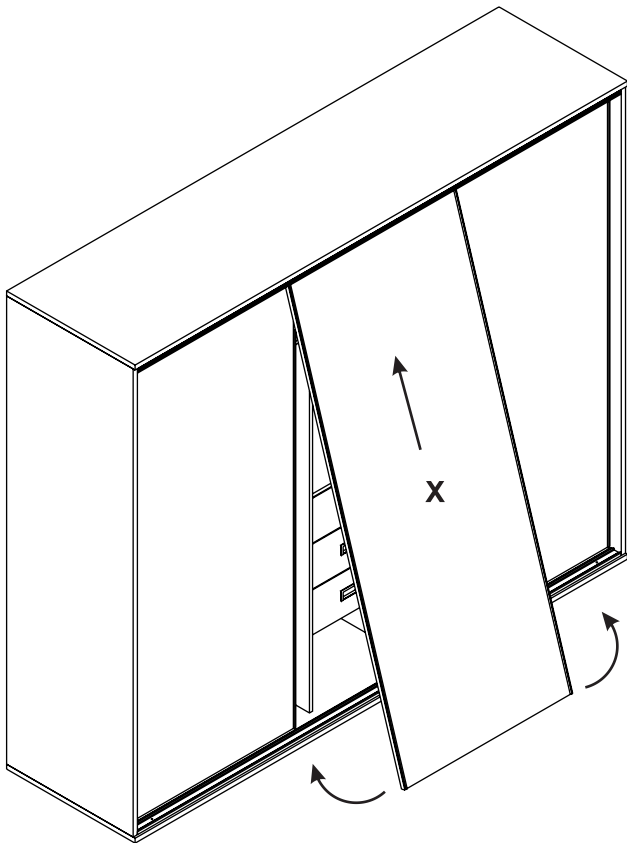
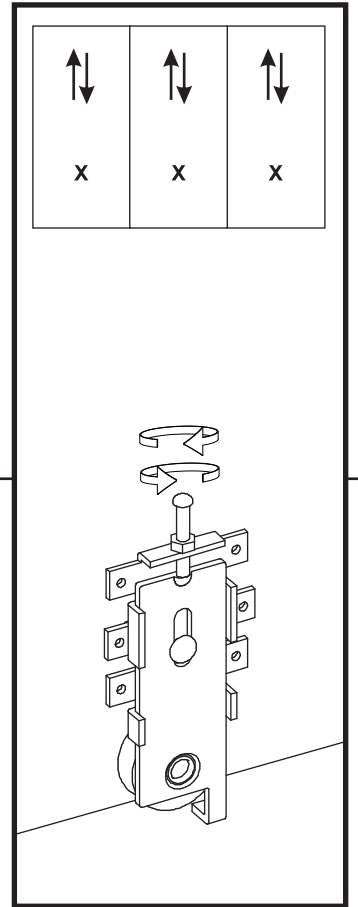
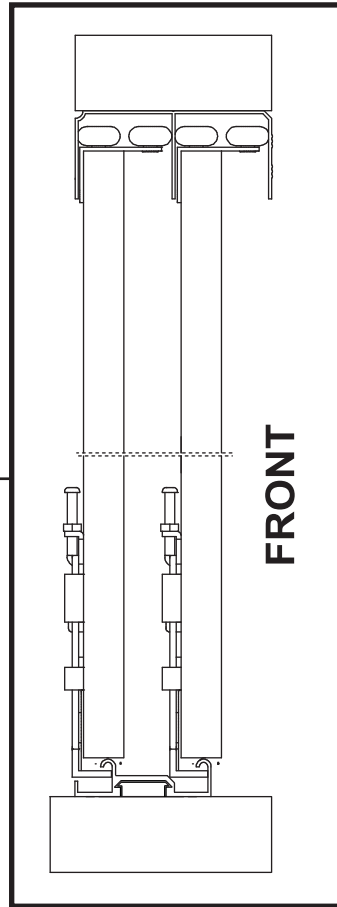
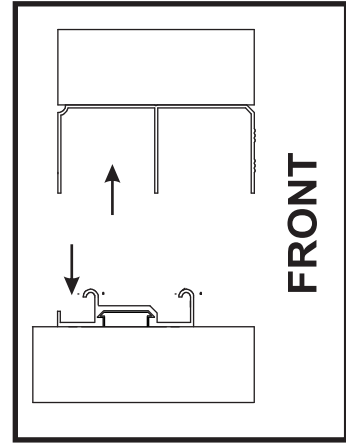
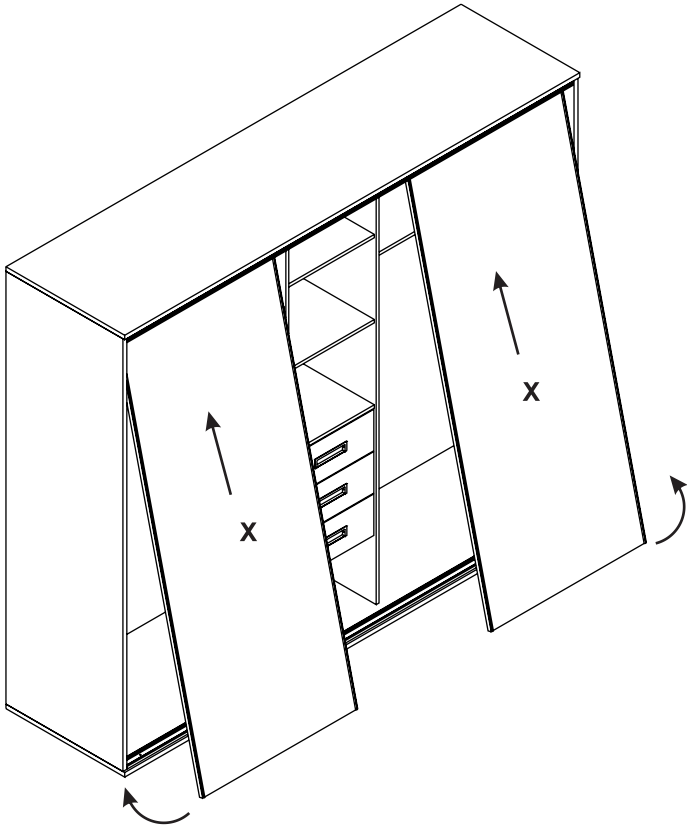
14




x3



15



30  x2

