

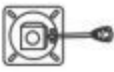
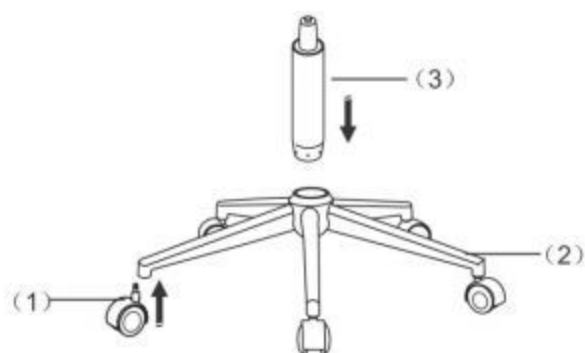


# PAX

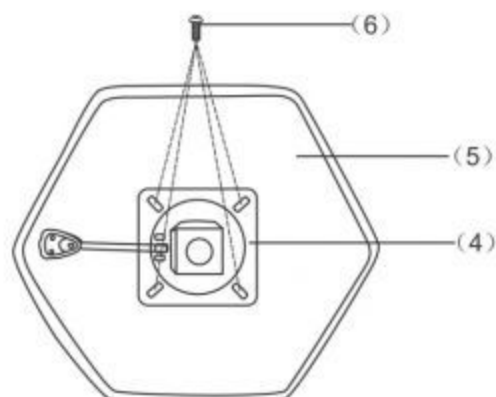


(1) × 5 	(5) × 1 
(2) × 1 	(6) × 4  M6*20mmL
(3) × 1 	(7) × 1  5mm
(4) × 1 	

1



2



3



4

