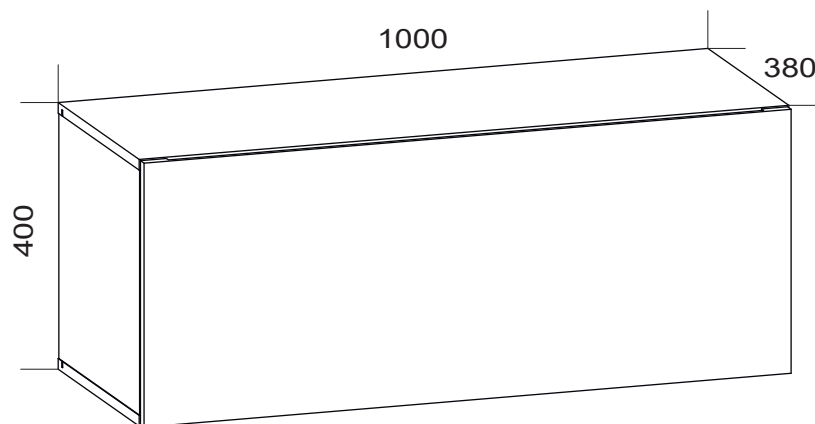


φ 8mm

30 min



- | | | | | | | | | | | | | | | |
|------------------|------------------|----------------|---------------|--------------------|-----------------------|----------------|---------------|---------------|---------------------------|--------------------------|-------------------------|--------------------------|--------------|--|
| 1x

n165/P | 1x

n165/L | 3x

b3 | 12x

l2 | 2x

L-236 m3 | 2x

φ4x30 mm p9 | 1x

n170 | 2x

a44 | 2x

b19 | 1x

LED (opcja) o1* | 4x

φ3,5x16 mm p51 | 15x

φ3x16 mm p55 | 4x

φ 6,3x13 mm e2 | 3x

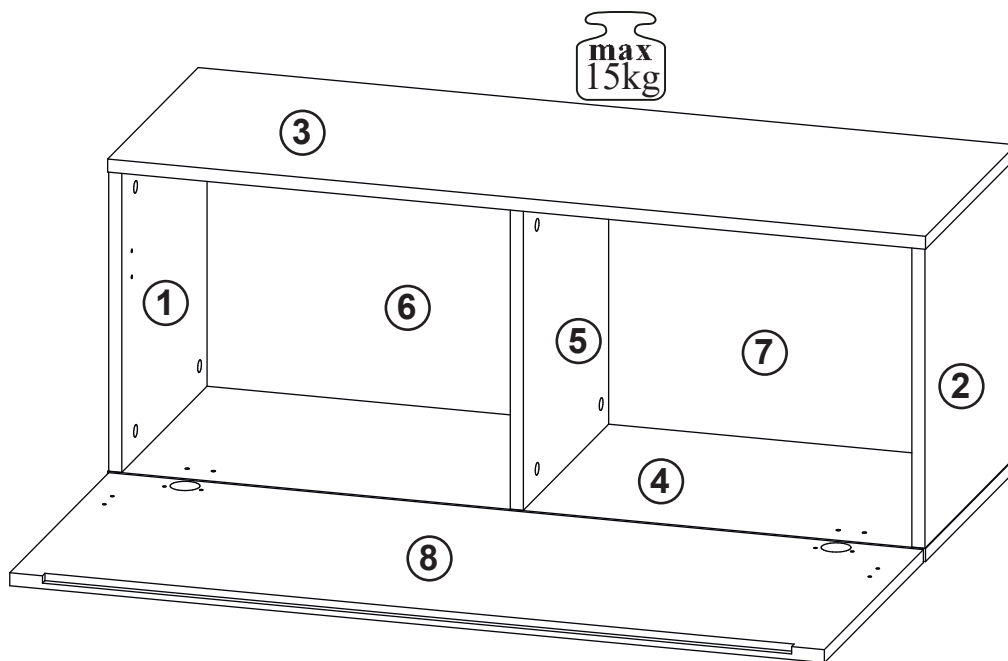
J1 | |
| 12x

s2 | 12x

r1 | 12x

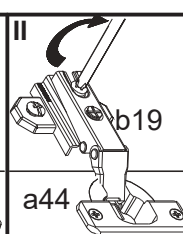
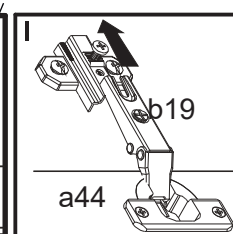
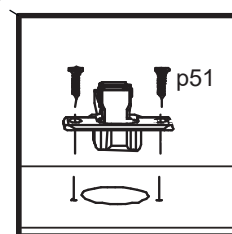
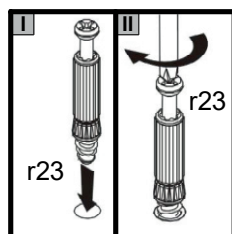
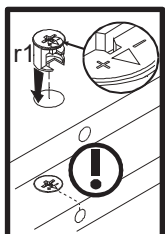
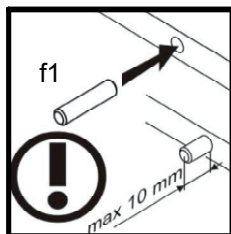
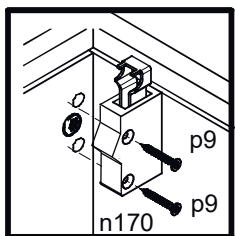
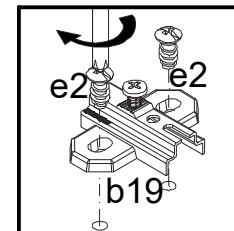
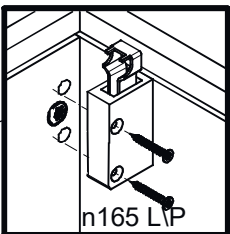
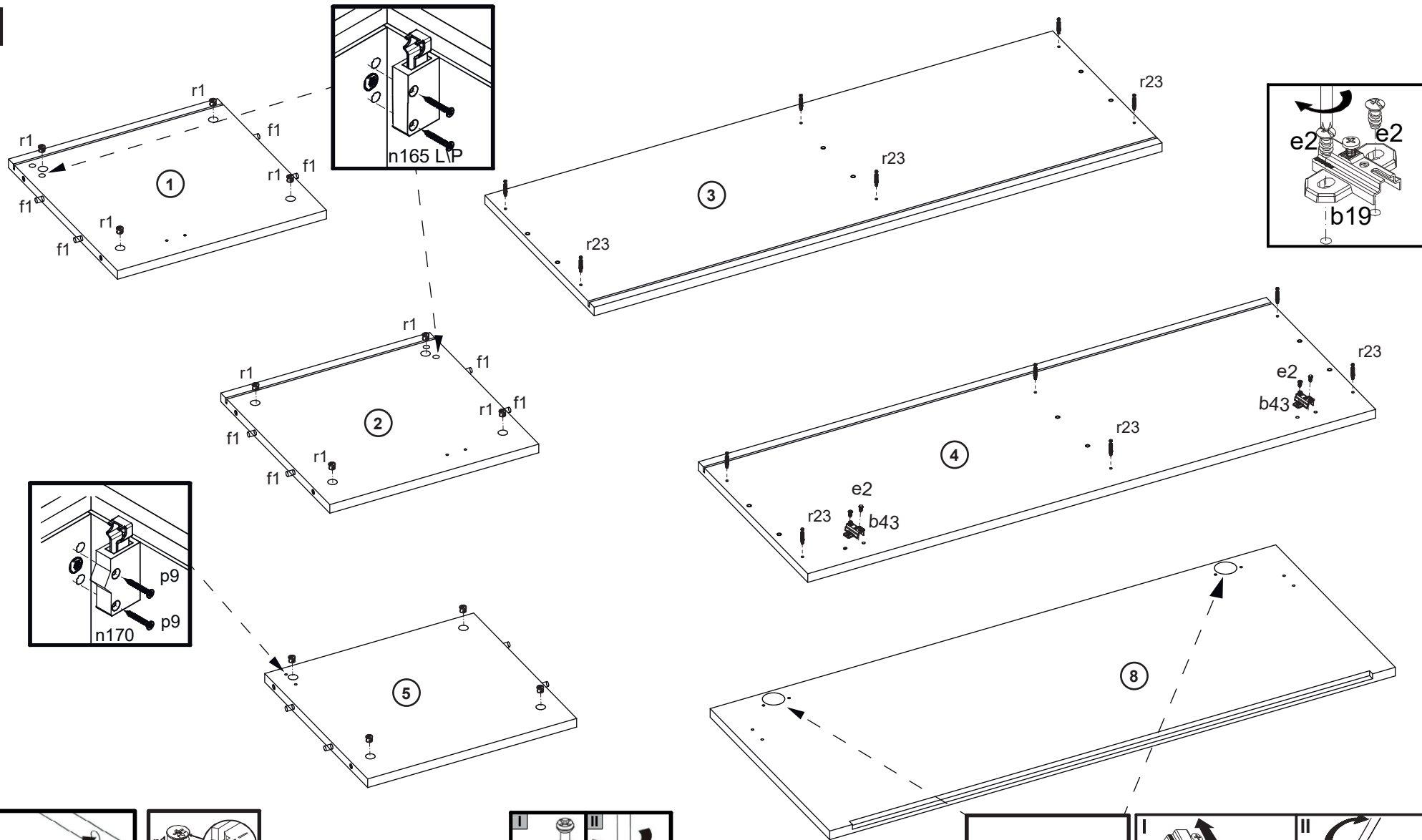
r23 | 12x

f1 | | | | | | | | | | | |

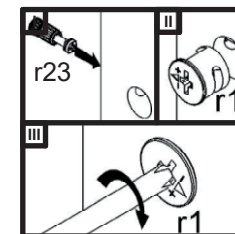
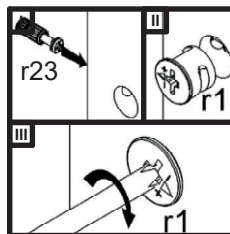
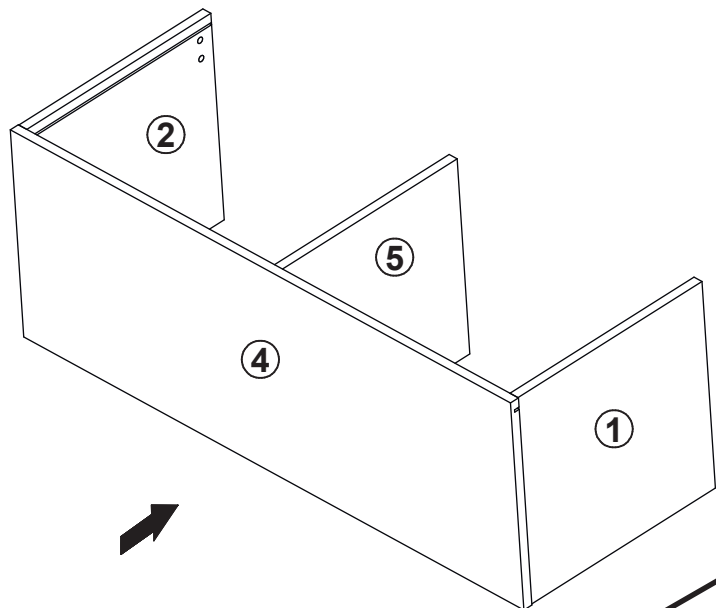


A	B	C	(mm)	Colli
1	001	368	361	1/1
2	002	368	361	1/1
3	003	1000	362	1/1
4	004	1000	362	1/1
5	005	368	341	1/1
6	006	382	490	1/1
7	007	382	490	1/1
8	008	996	396	1/1

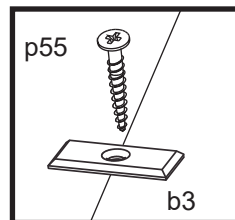
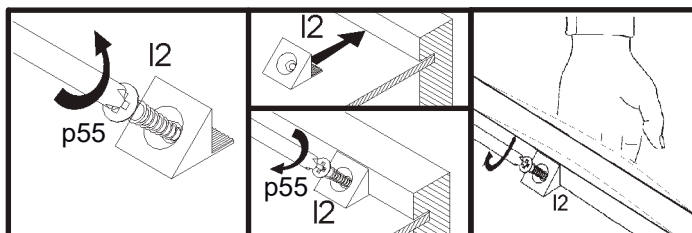
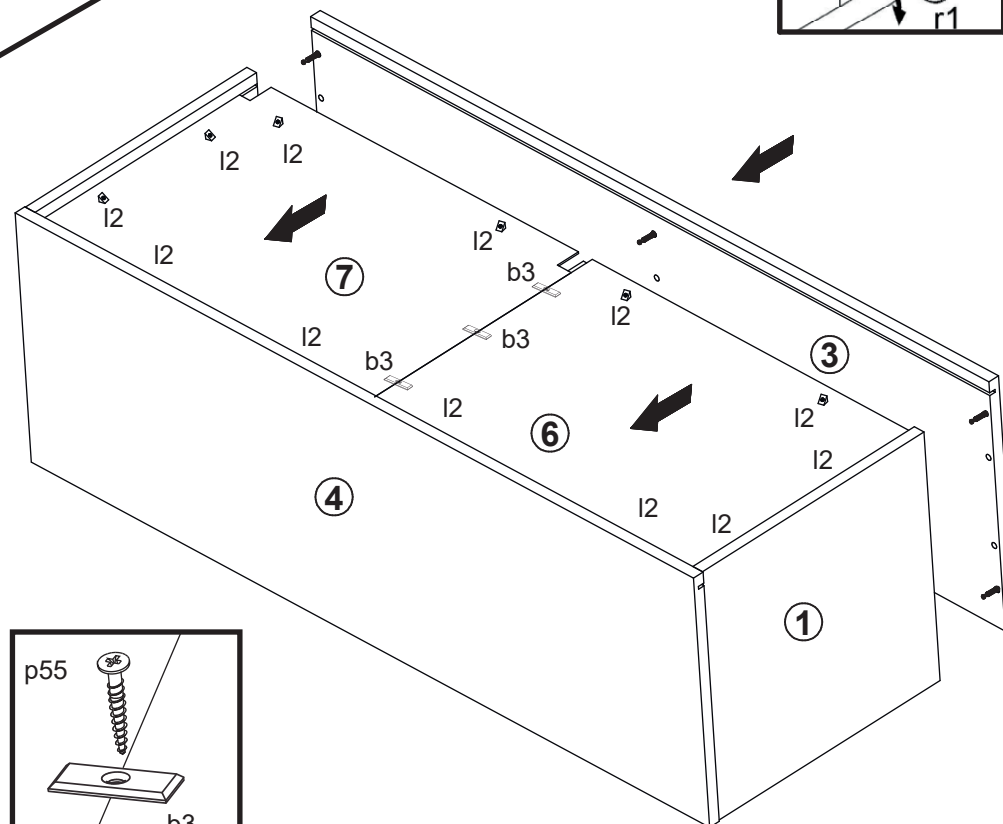
1



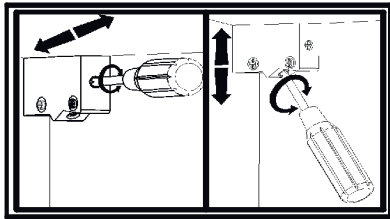
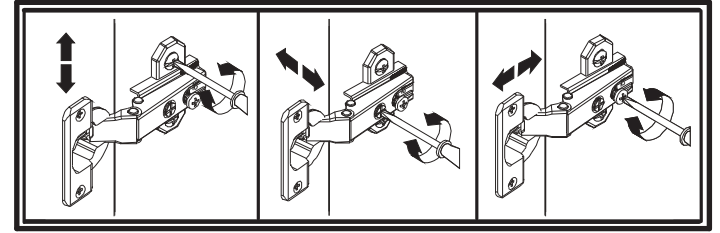
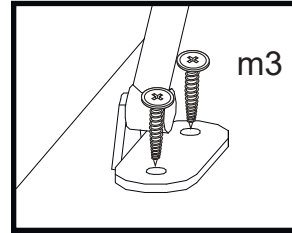
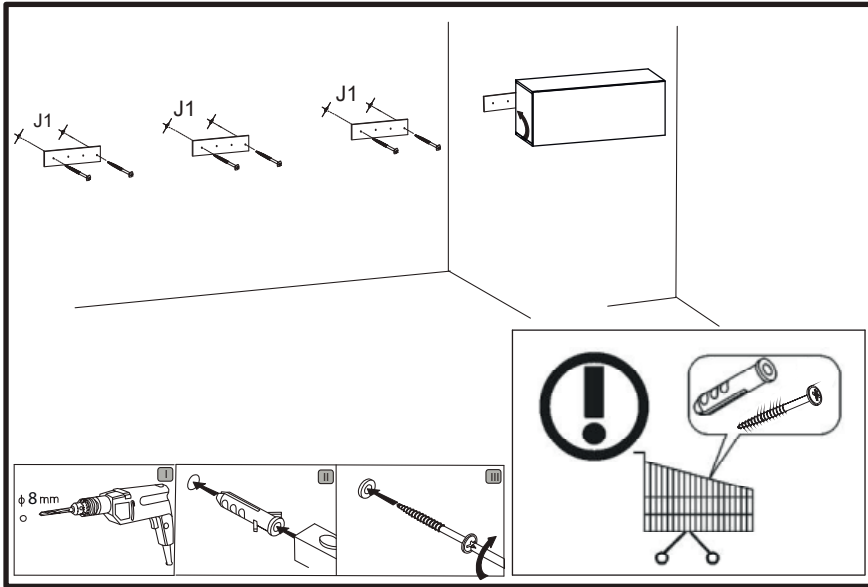
2



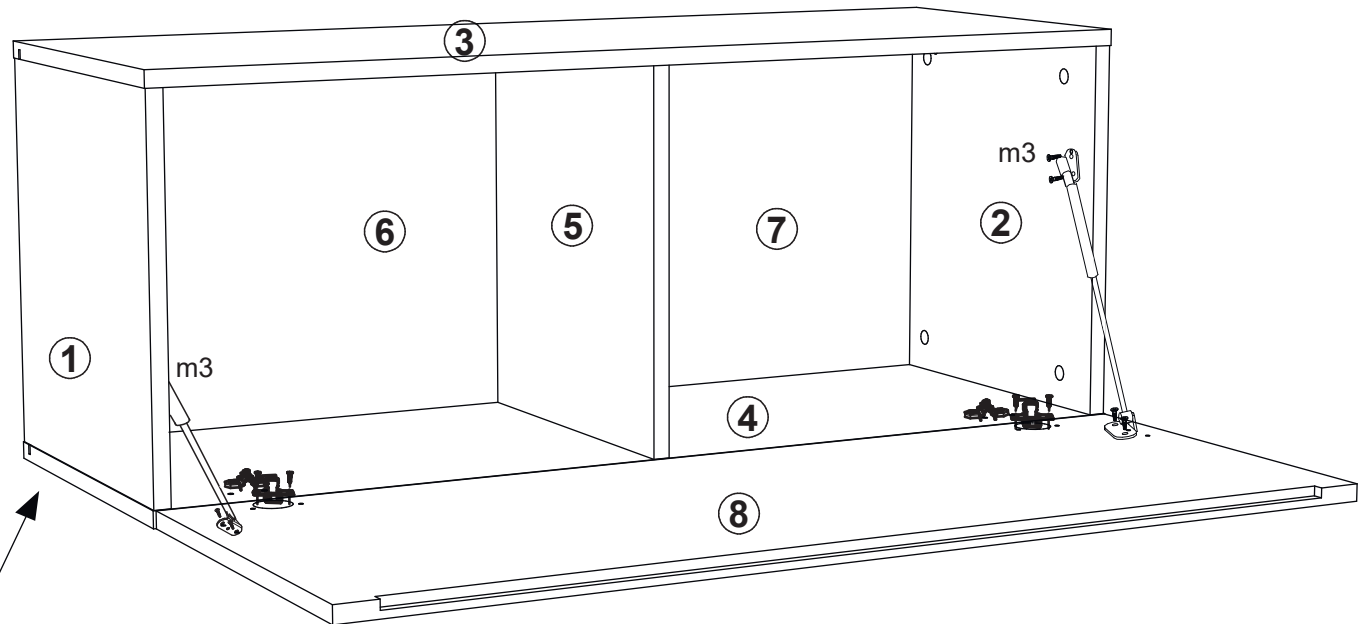
3

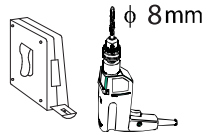
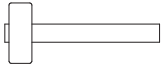
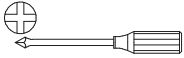
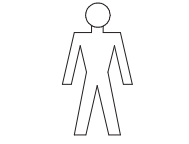


4

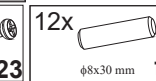
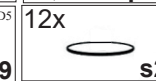
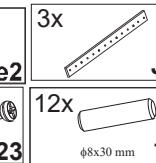
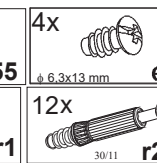
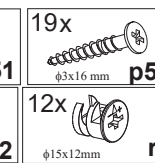
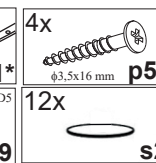
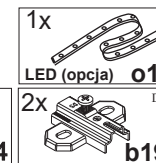
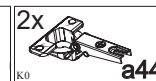
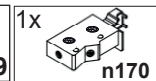
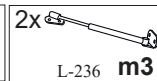
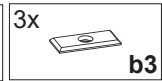
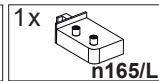
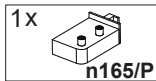
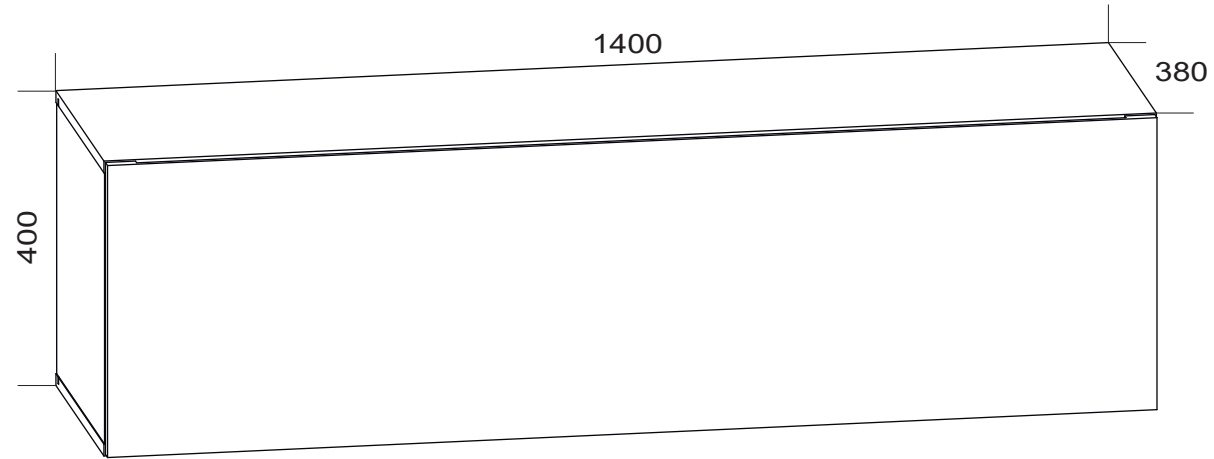


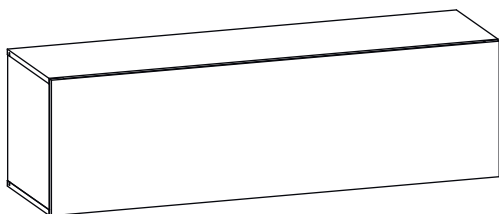
LED (opcja) 01*



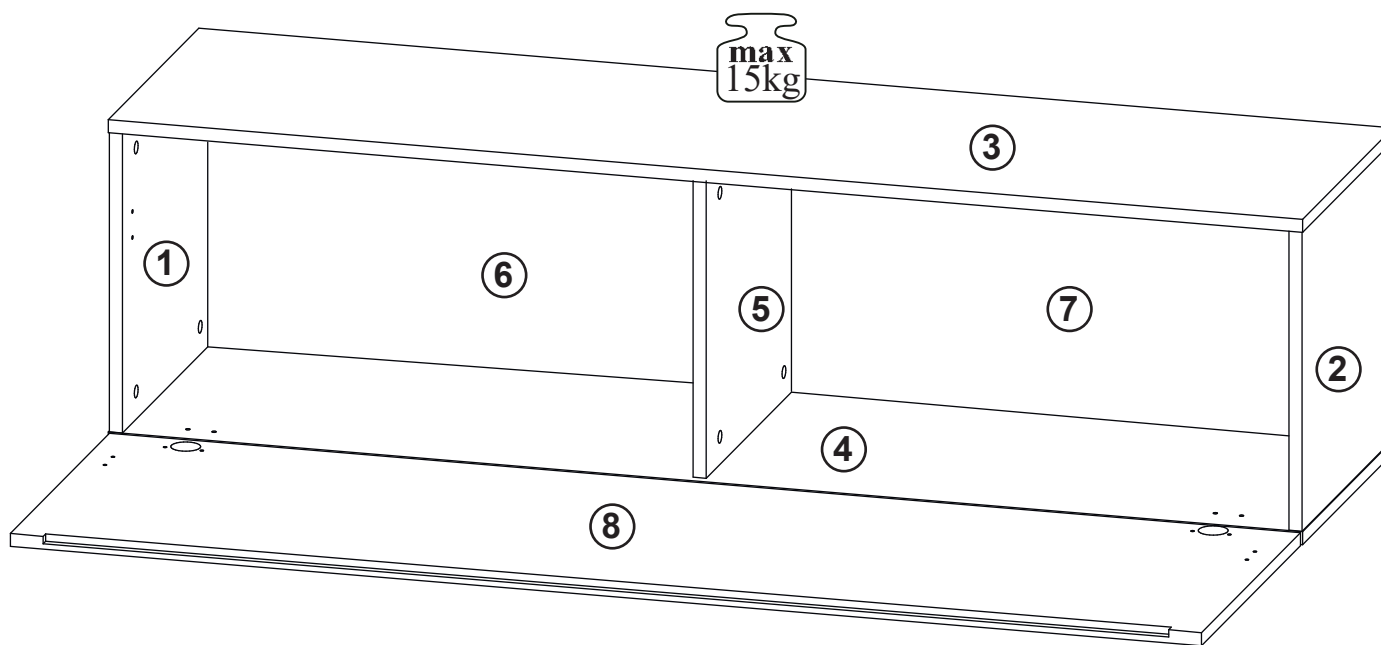


30 min

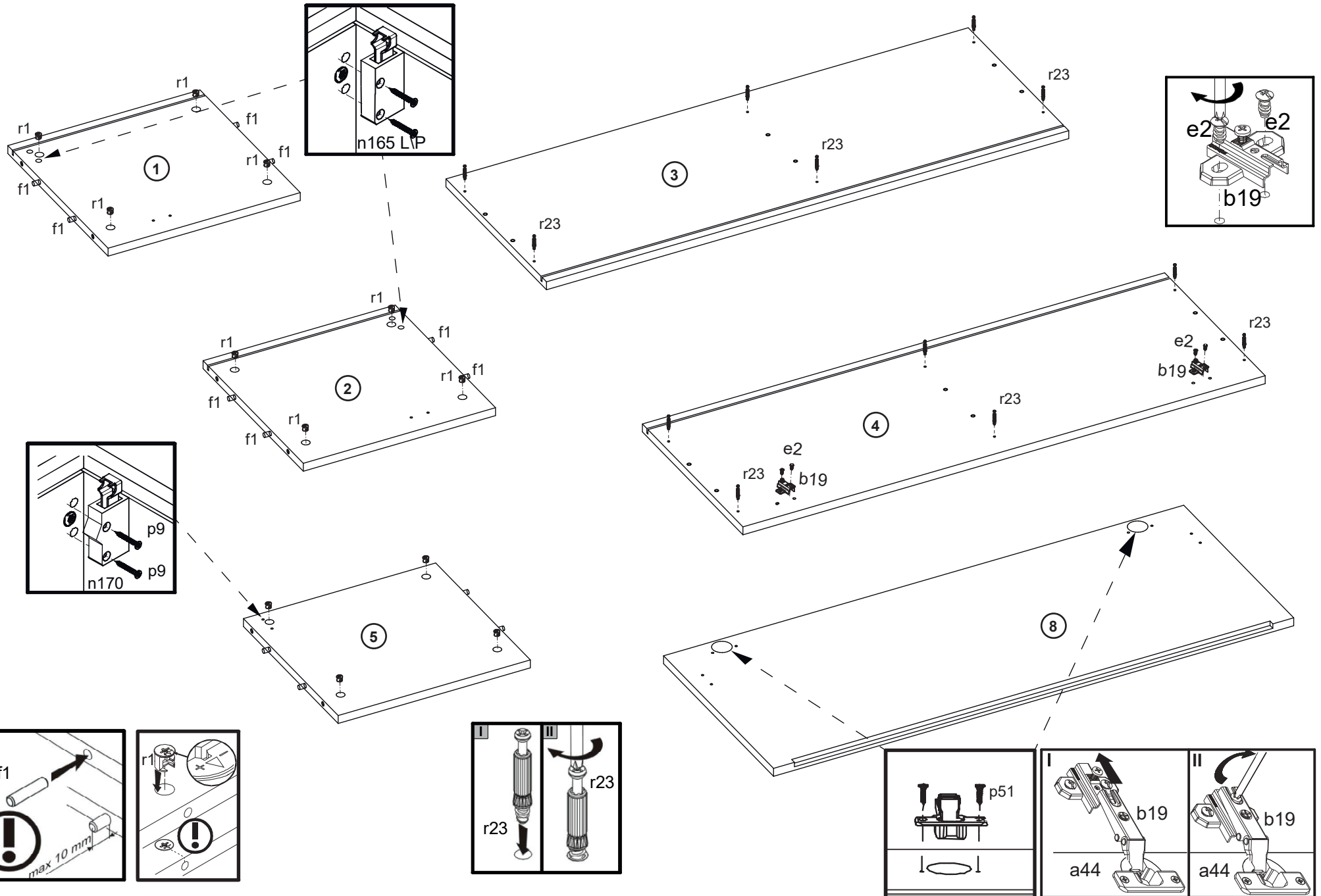




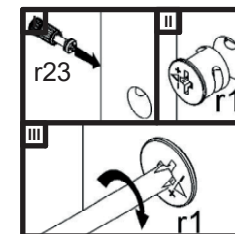
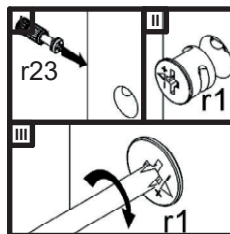
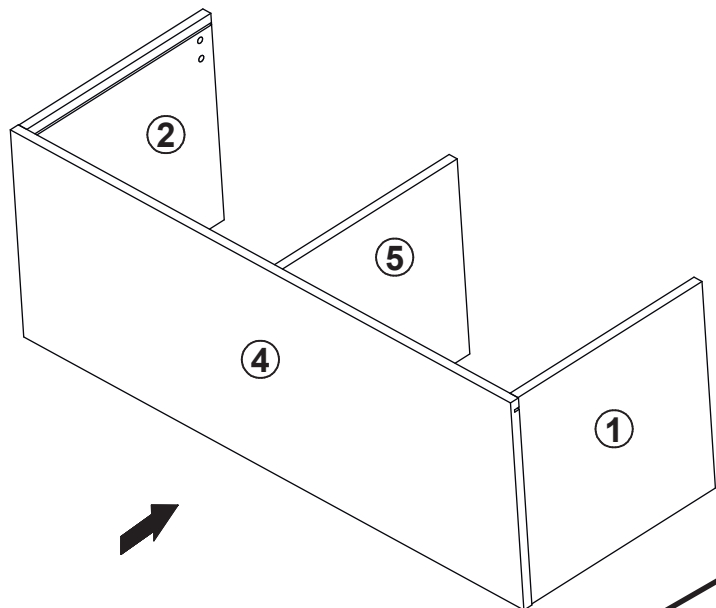
A	B	C	(mm)	Colli
1	001	368	361	1/1
2	002	368	361	1/1
3	003	1400	362	1/1
4	004	1400	362	1/1
5	005	368	341	1/1
6	006	382	690	1/1
7	007	382	690	1/1
8	008	1396	396	1/1



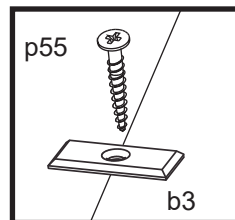
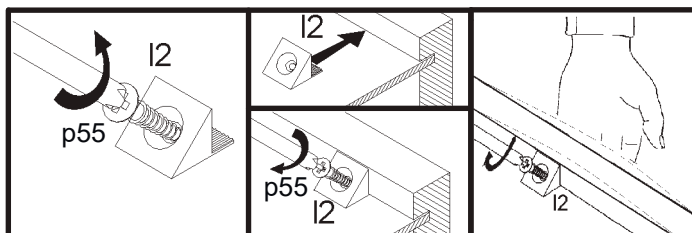
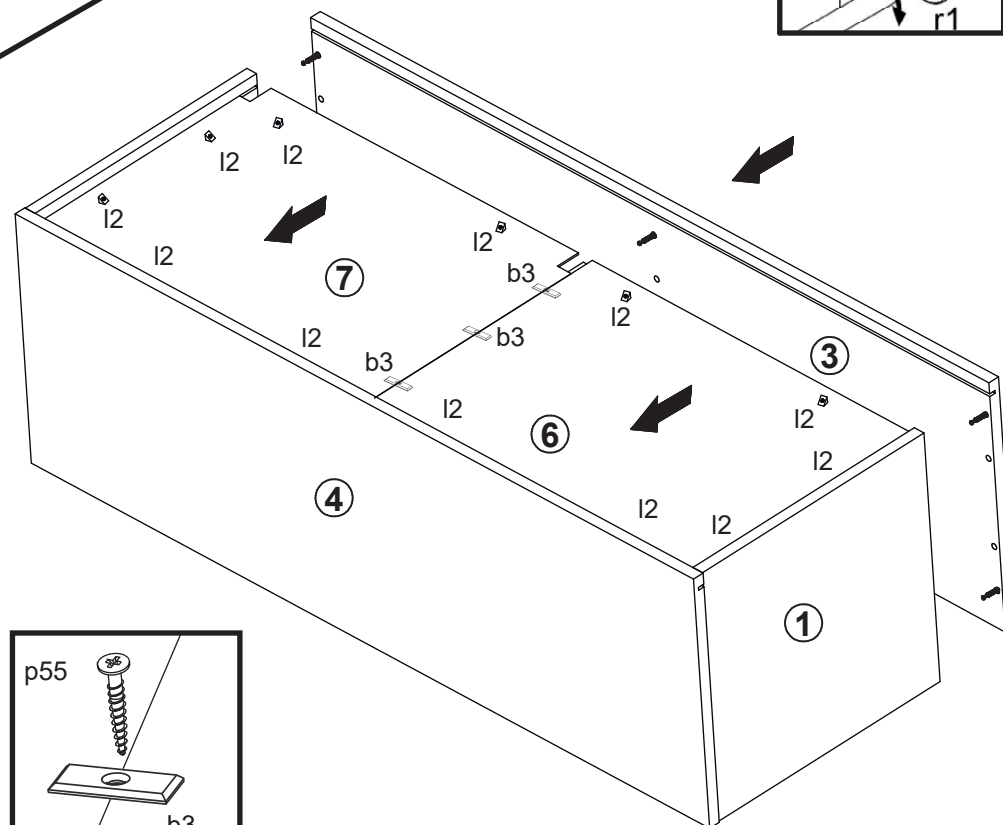
1



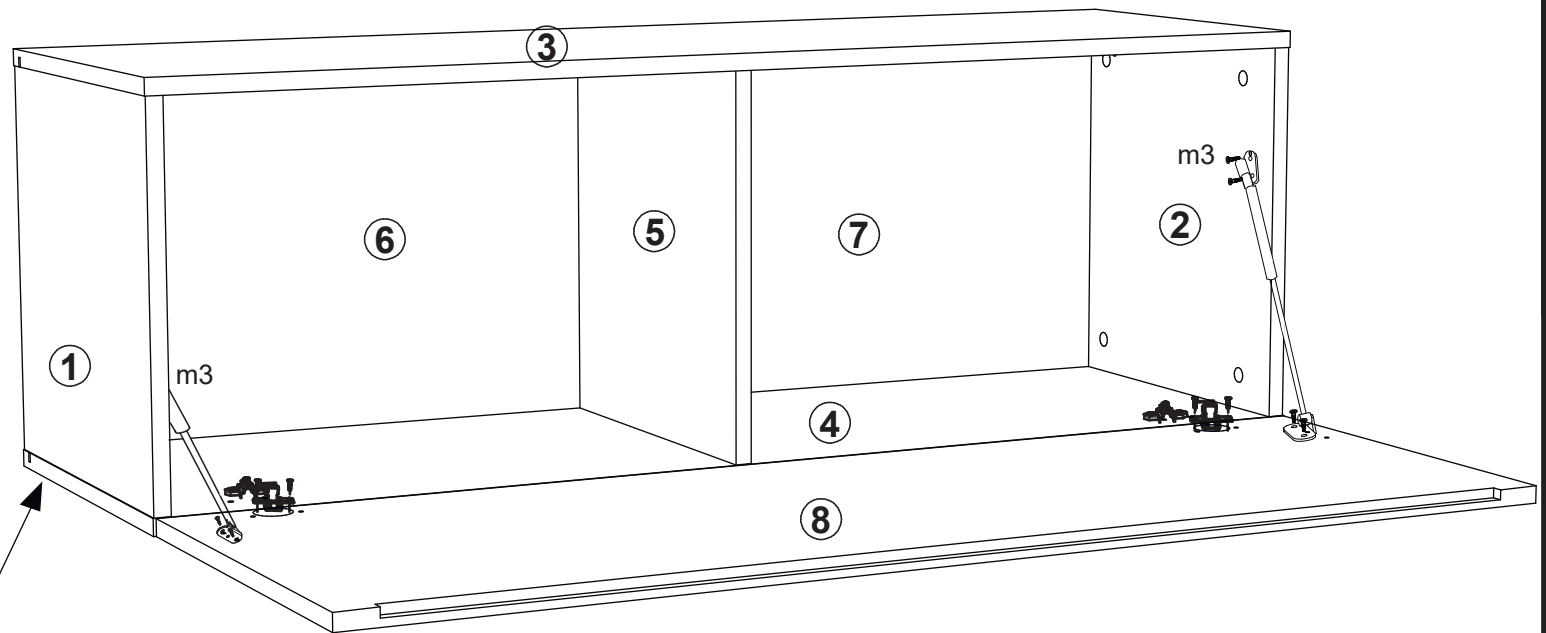
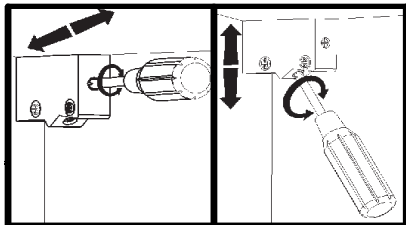
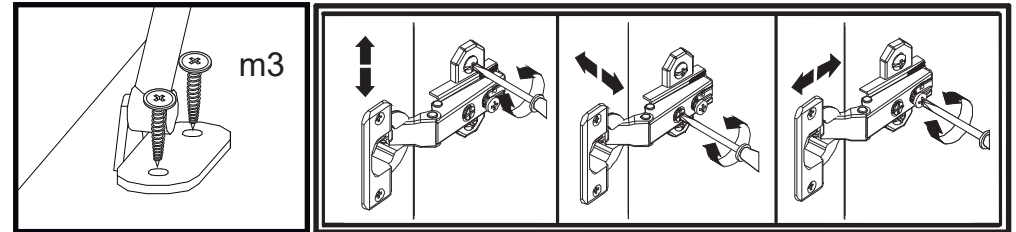
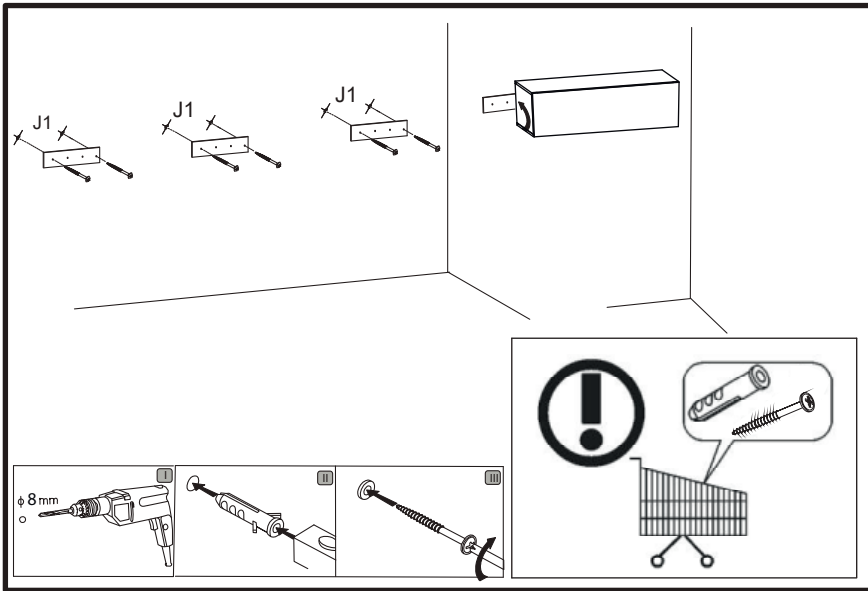
2


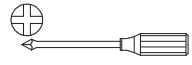

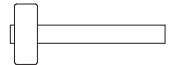

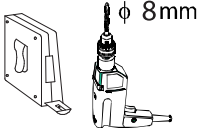



3



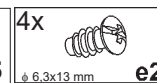
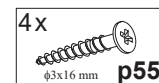
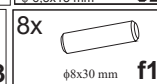
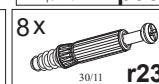
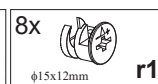
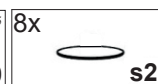
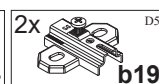
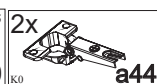
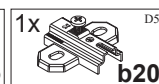
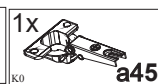
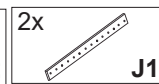
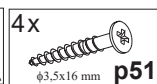
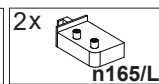
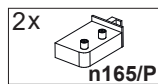
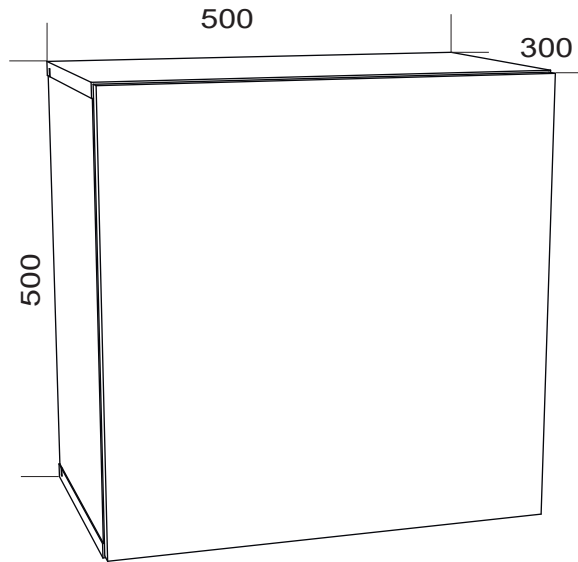


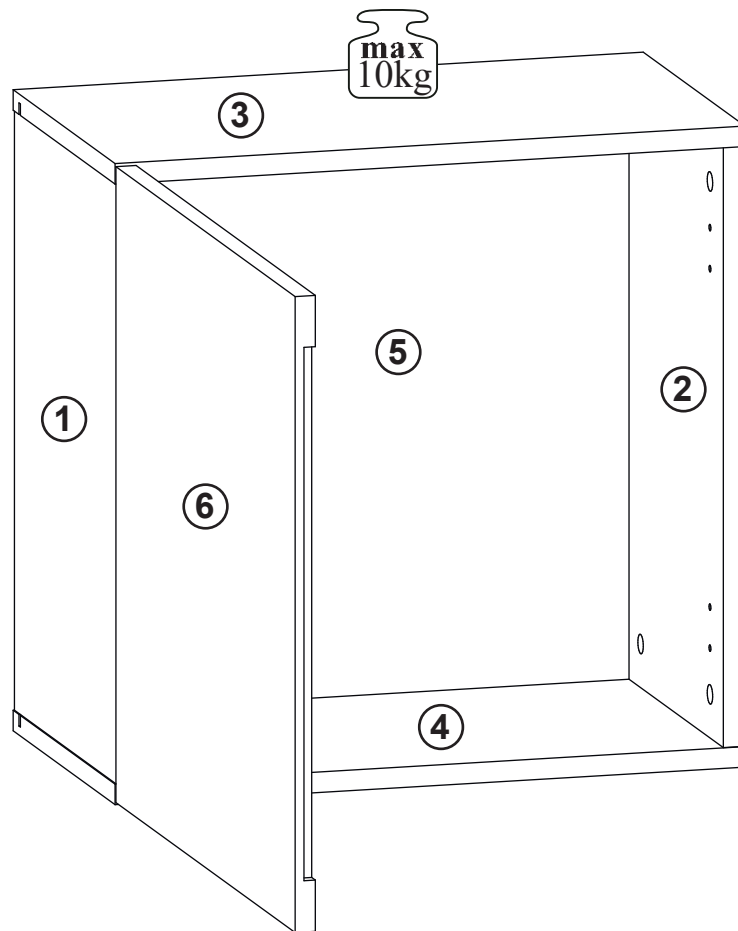
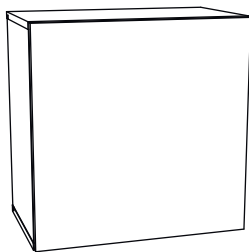
4



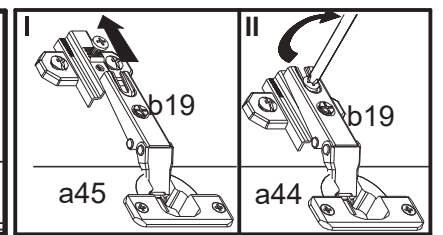
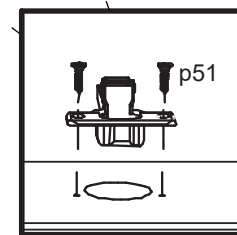
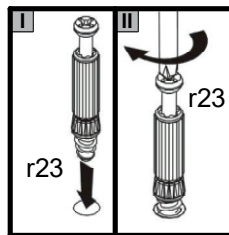
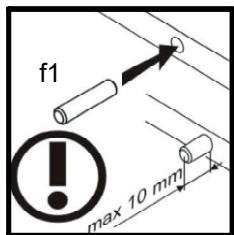
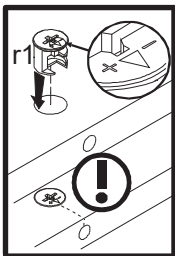
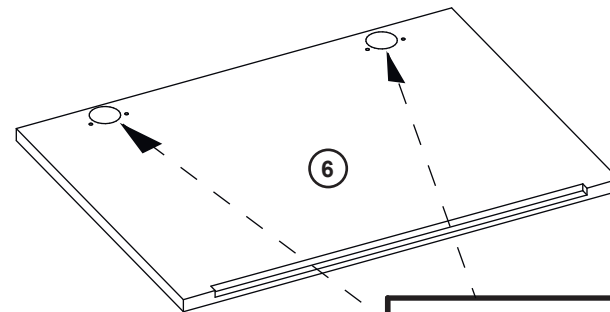
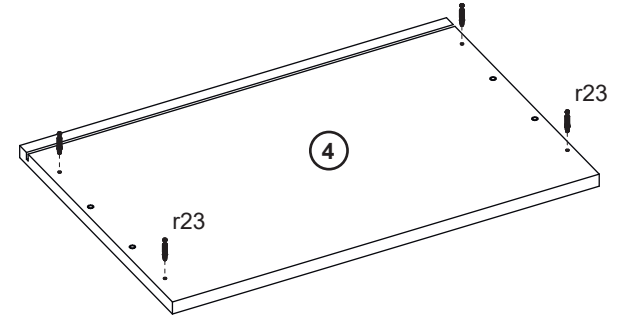
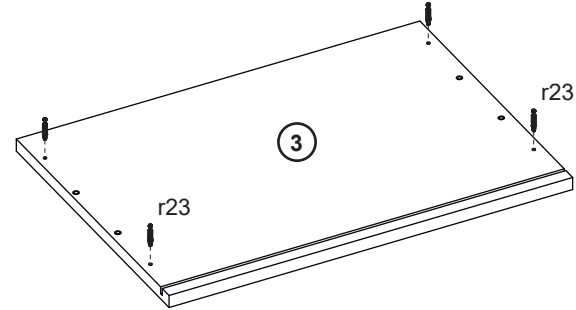
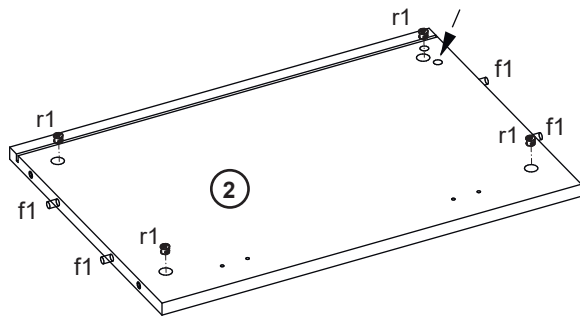
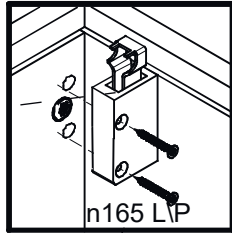
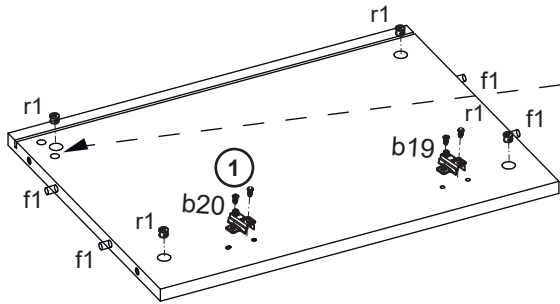
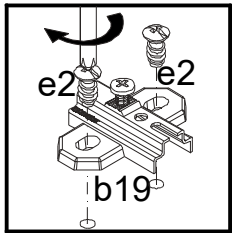
30 min

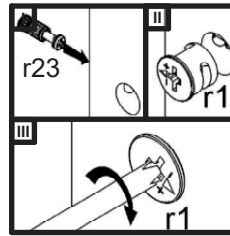
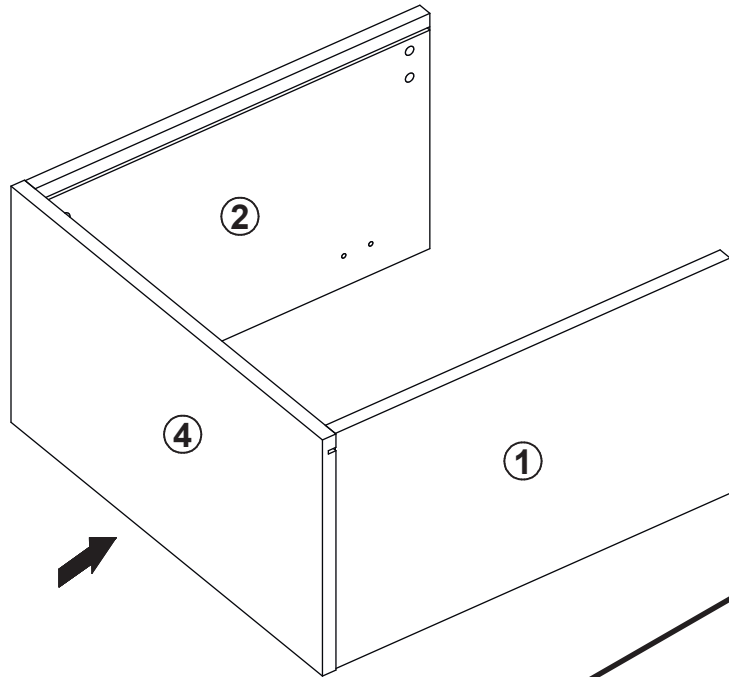


A	B	C	(mm)	Colli
1	001	468	281	1/1
2	002	468	281	1/1
3	003	500	282	1/1
4	004	500	282	1/1
5	005	482	480	1/1
6	006	496	496	1/1

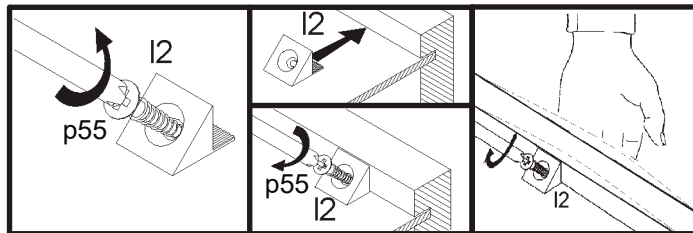
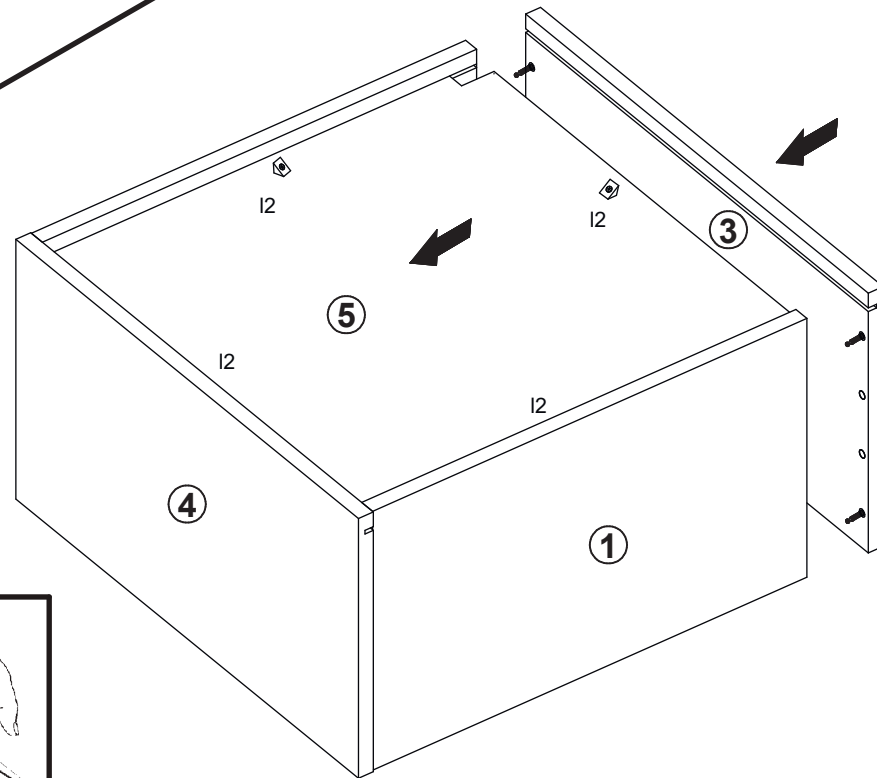
1



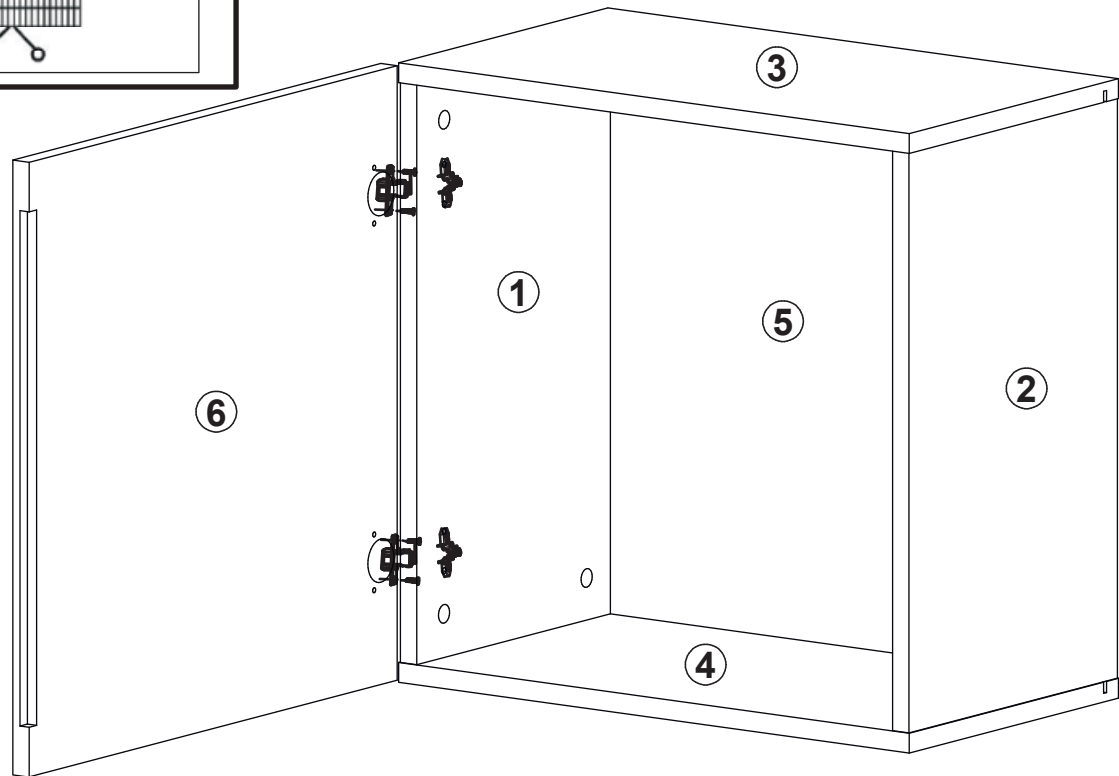
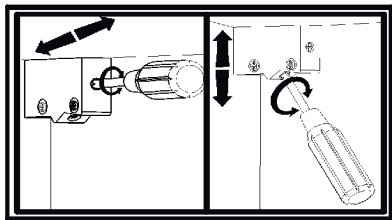
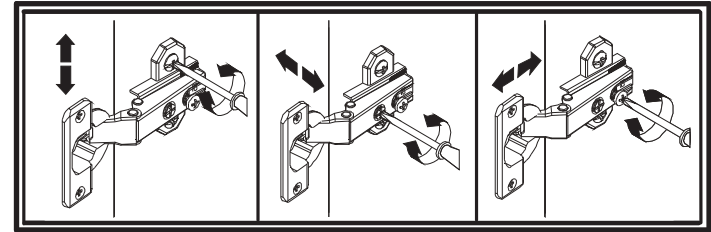
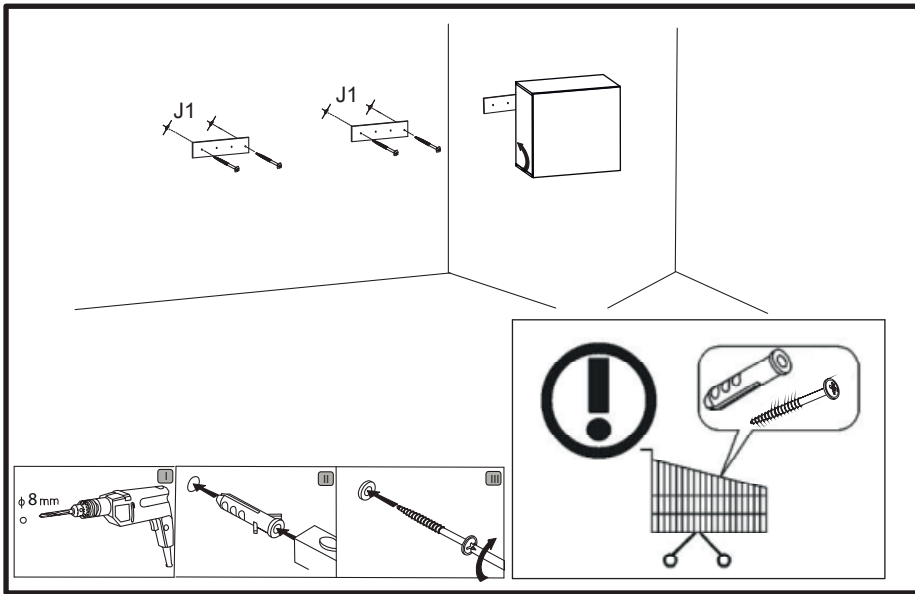
2

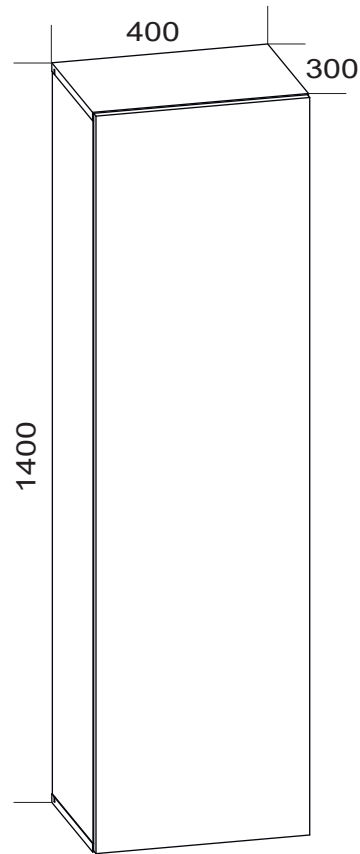


3



4





- | | | | | | | | | | | | | | | | |
|------------------|------------------|-----------------------|---------------|--------------|---------------|---------------------|---------------------|---------------------|--------------|-----------------------------|------------------------|-----------------------------|--------------------------------|-------------------------------|-------------------------------|
| 2x

n165/P | 2x

n165/L | 12x

d3
r5mm | 12x

I2 | 2x

J1 | 1x

a45 | 1x

b20
D5 | 2x

a44
K0 | 2x

b19
D5 | 8x

s2 | 8x

r1
phi 15x12mm | 8x

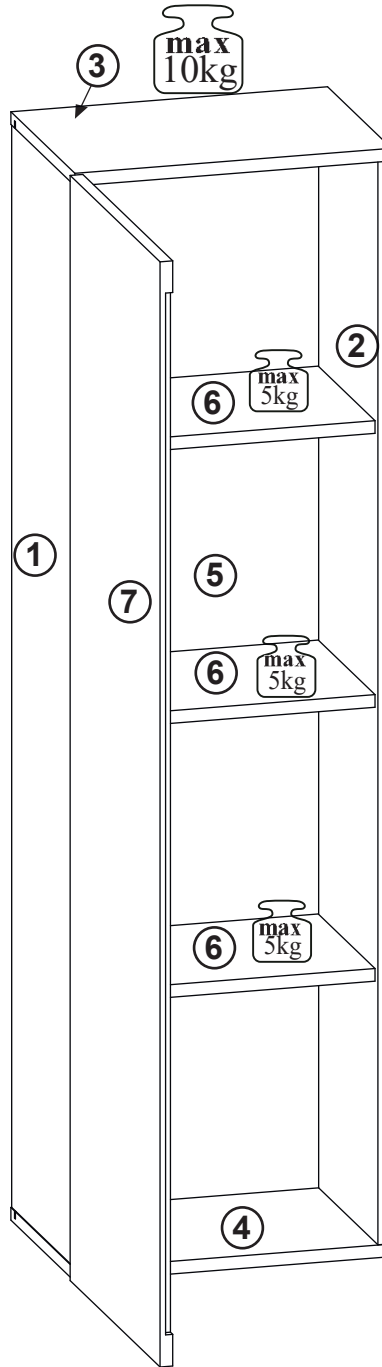
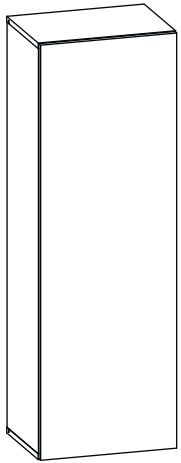
r23
30/11 | 8x

f1
phi 8x30 mm | 6x

p51
phi 3.5x16 mm | 12x

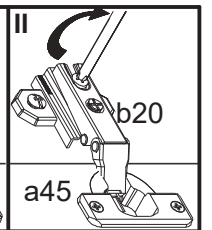
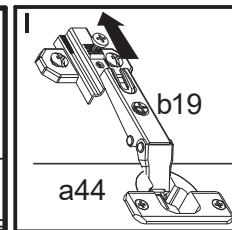
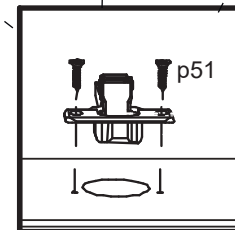
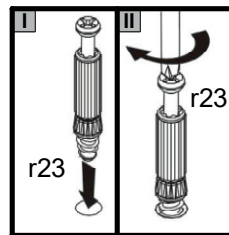
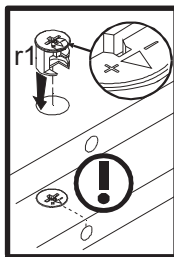
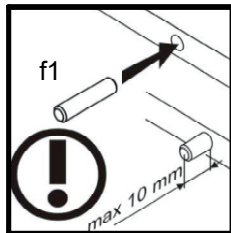
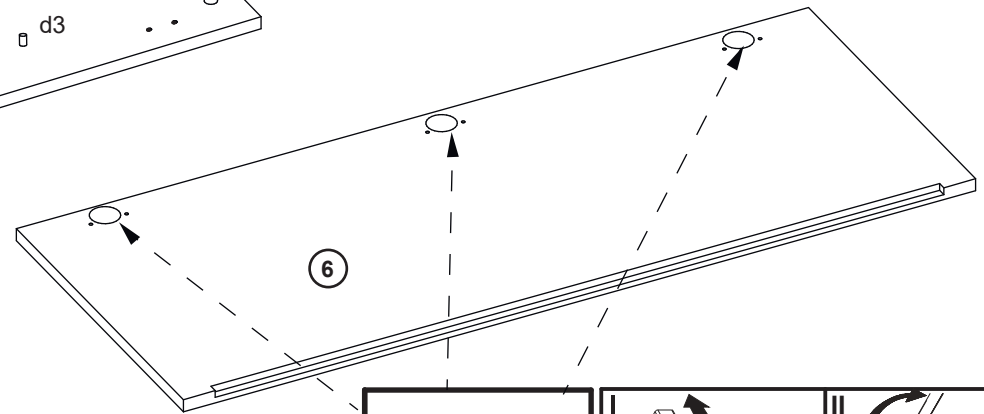
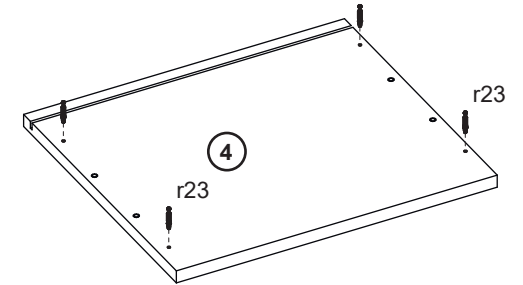
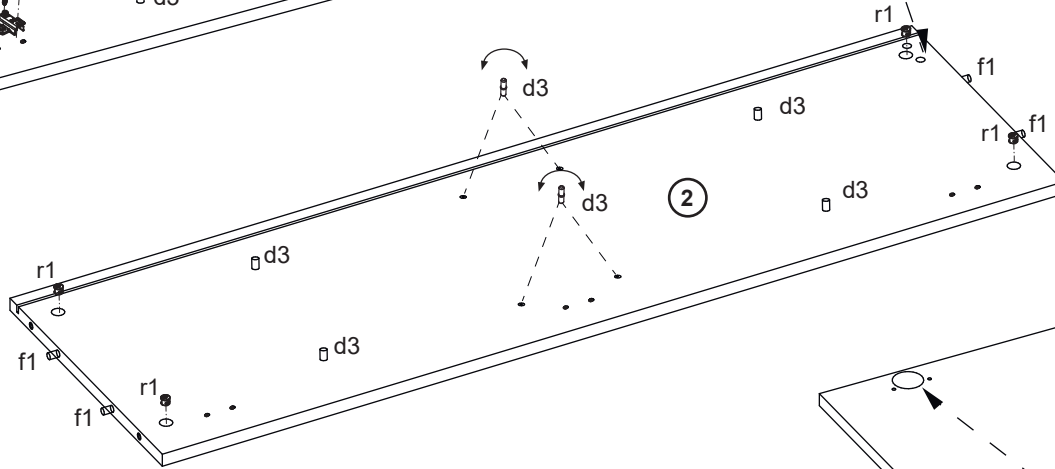
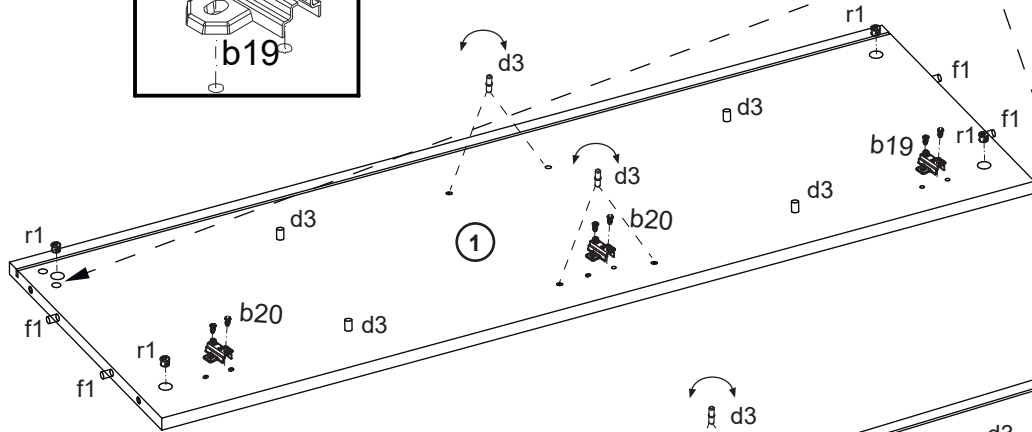
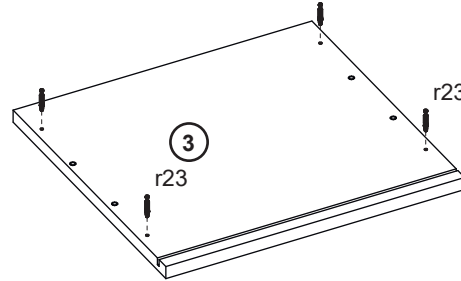
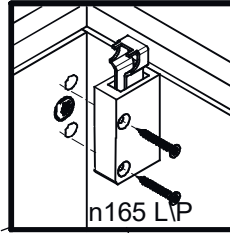
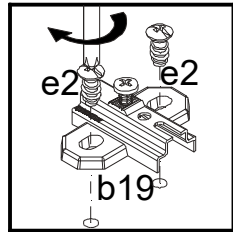
p55
phi 3x16 mm | 6x

e2
phi 6.3x13 mm |
|------------------|------------------|-----------------------|---------------|--------------|---------------|---------------------|---------------------|---------------------|--------------|-----------------------------|------------------------|-----------------------------|--------------------------------|-------------------------------|-------------------------------|

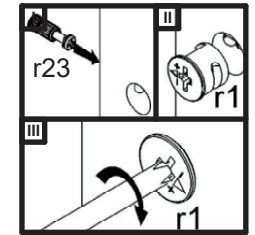
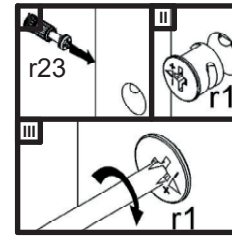
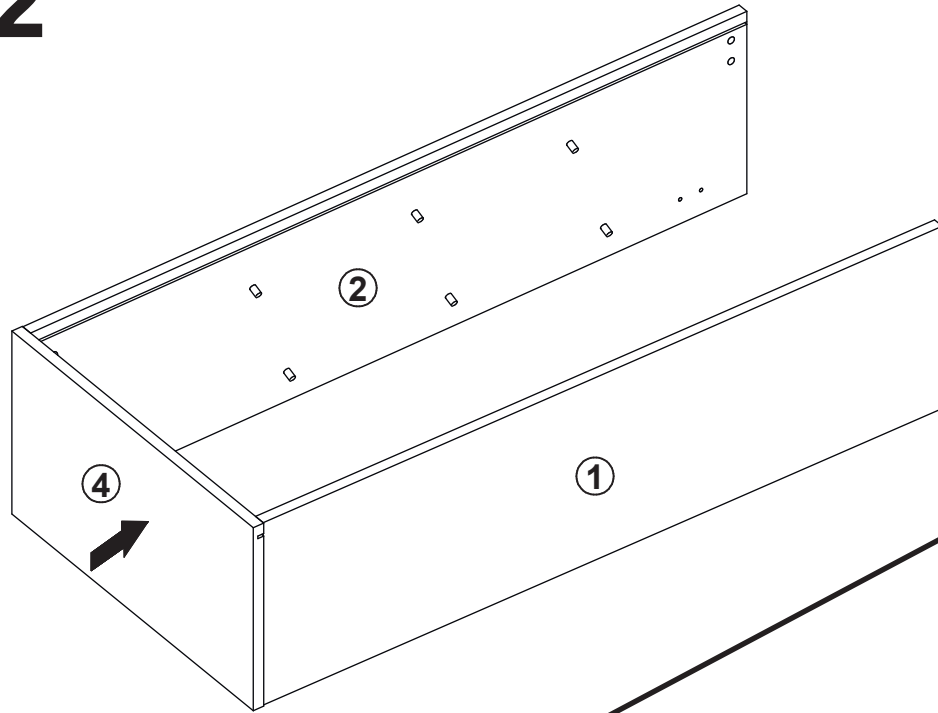


A	B	C (mm)		Colli
1	001	1368	281	1/1
2	002	1368	281	1/1
3	003	400	282	1/1
4	004	400	282	1/1
5	005	1382	380	1/1
6	006	365	250	1/1
7	007	1396	396	1/1

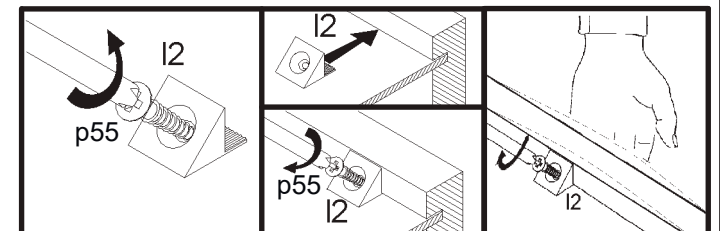
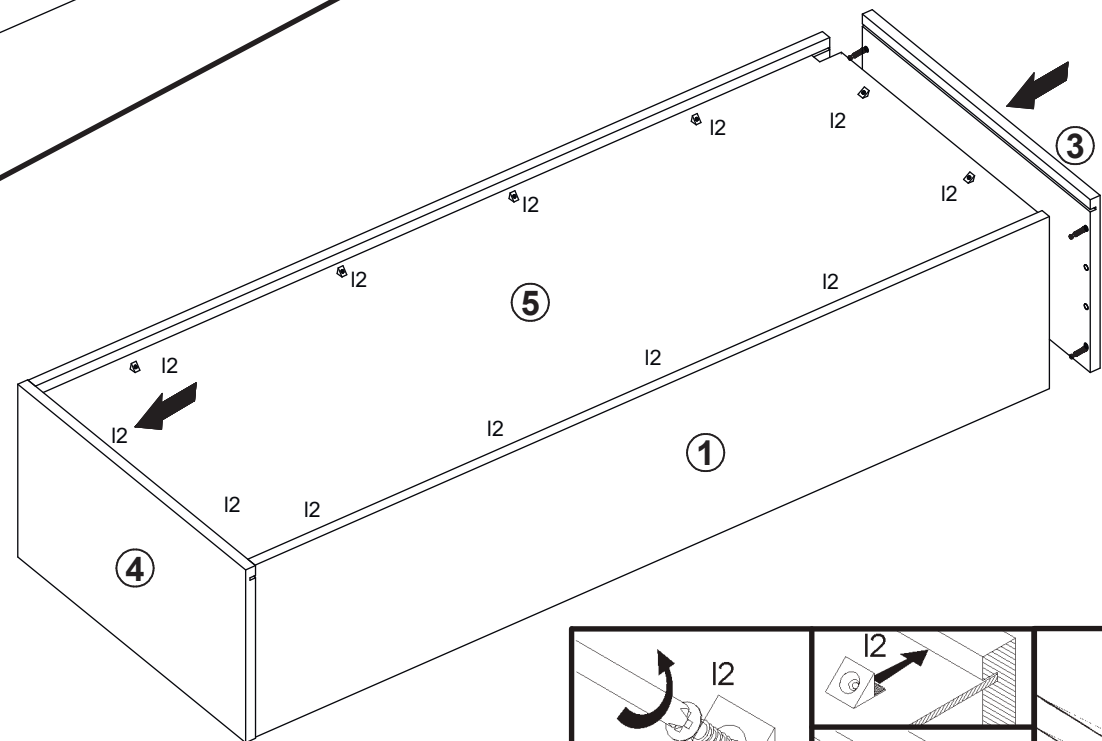
1



2



3



4

