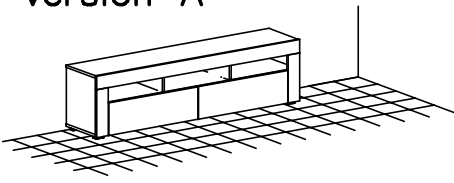
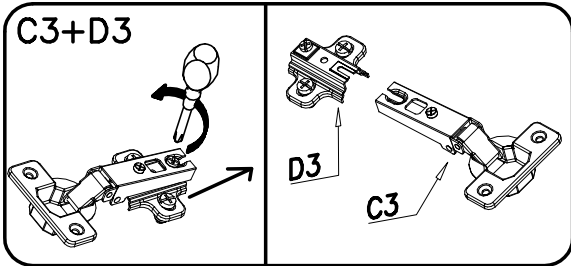
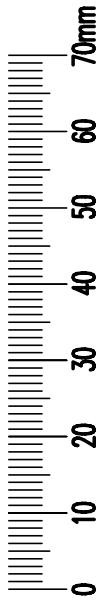
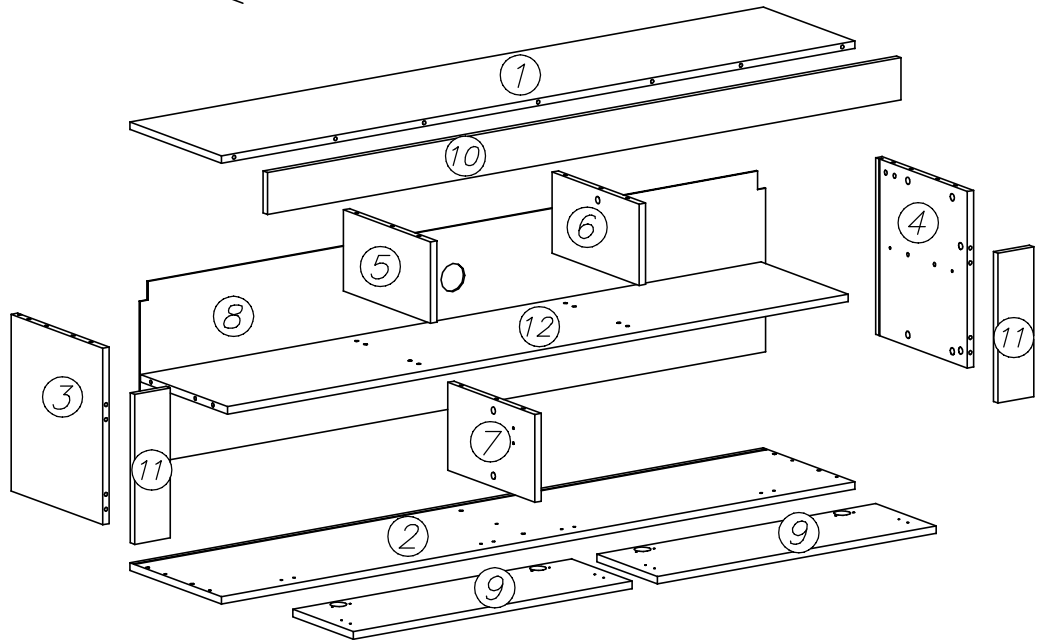
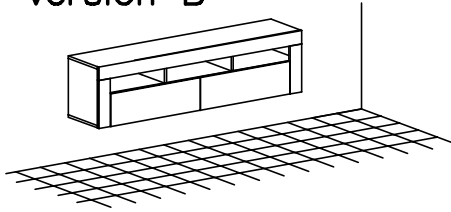


# MORENO

version A



version B



N1		N2	
M4x8	4x	ø5x12	2x

G34		B1		W2	
3,5x16	16x	ø8x30	31x	4mm	1x

A1		U9L		U9R	
ø7x50	4x		1x		1x

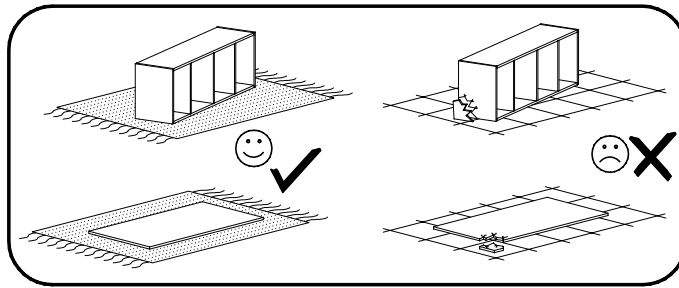
P15		I11a		I11b		L11		L6	
	5x	ø60	1x	ø60	1x		2x		2x

G39		I7c		I7b		I7a			
4x20	10x	ø18	24x	ø18	24x	ø18	24x		

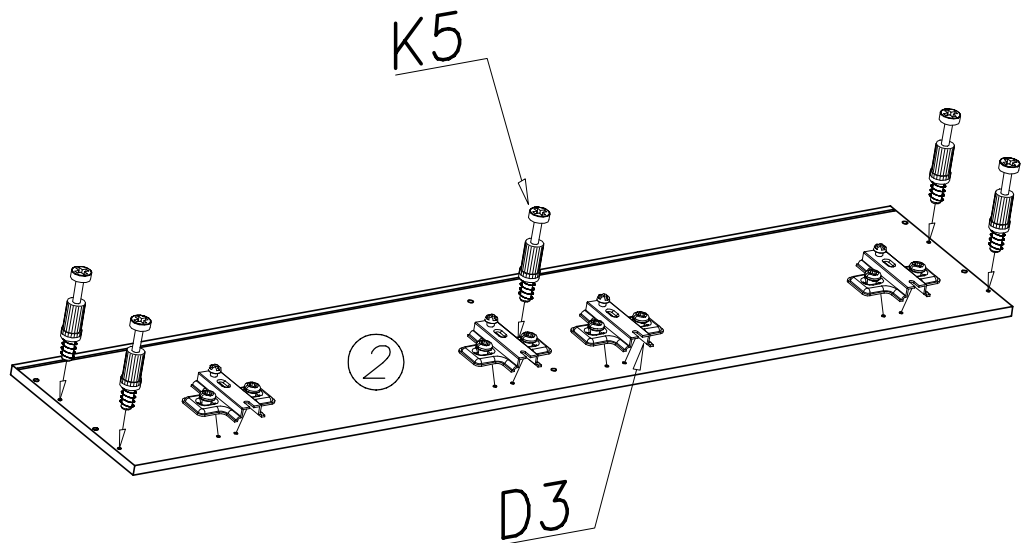
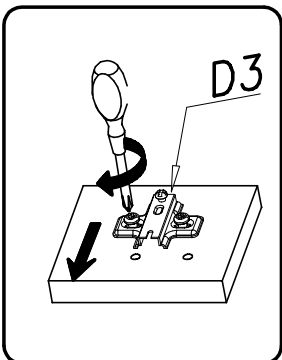
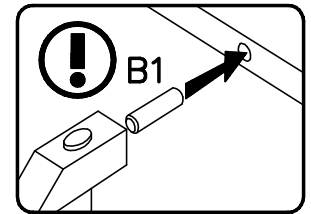
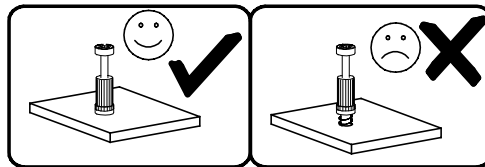
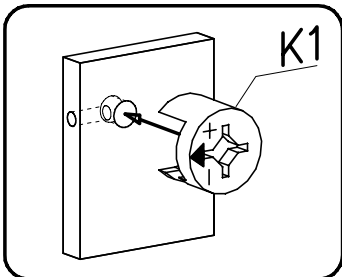
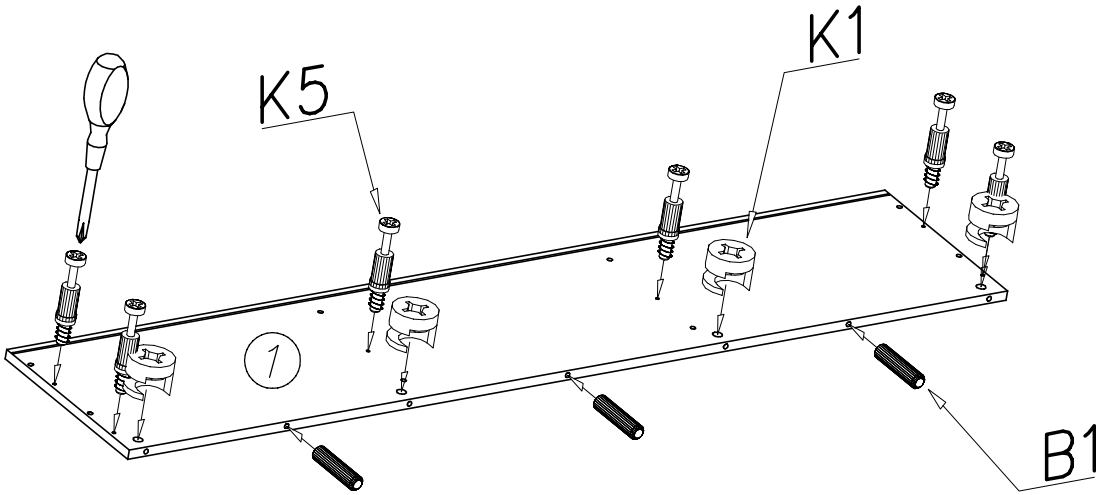
U8		U7S		C3+D3		K5		K1	
ø10x50	2x		2x		4x		24x	ø15x12	24x

I1		G10		Z35PR		M19		G22	
	22x	6x13	4x		4x		2x	3x16	11x

1

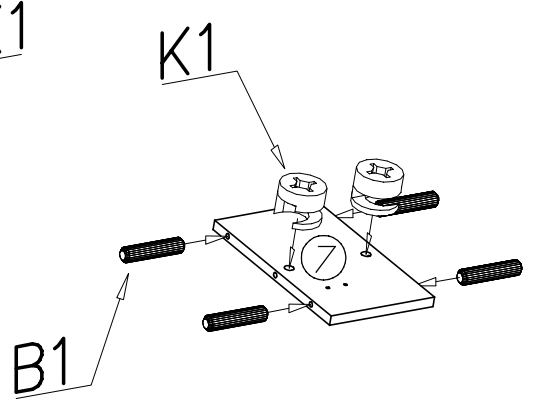
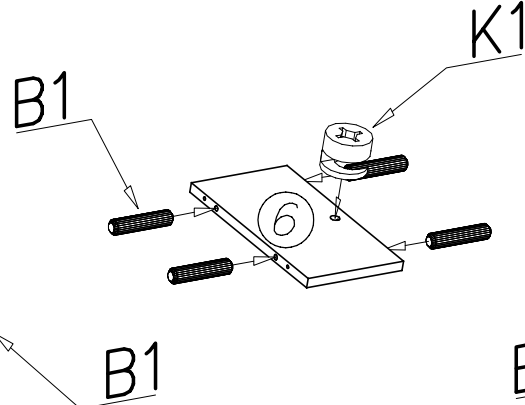
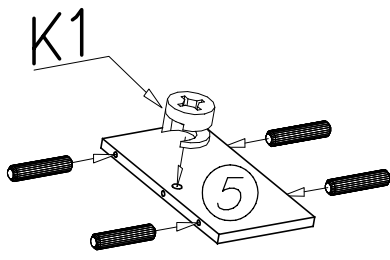
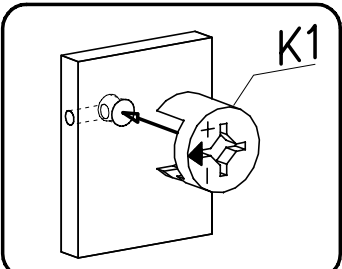
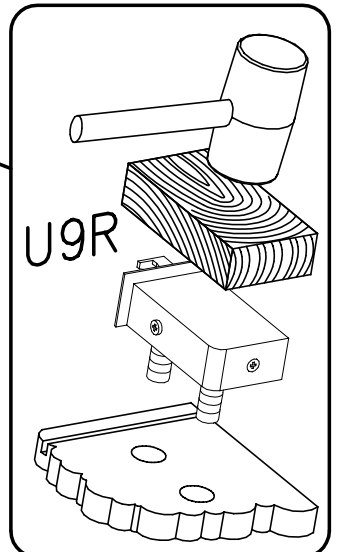
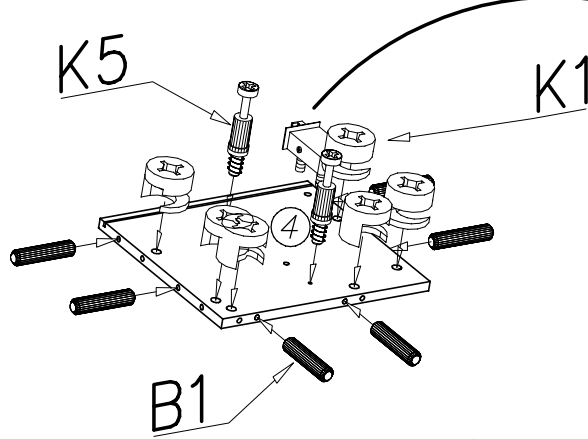
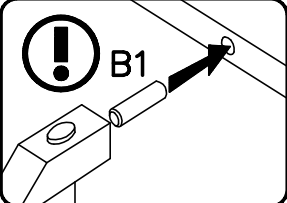
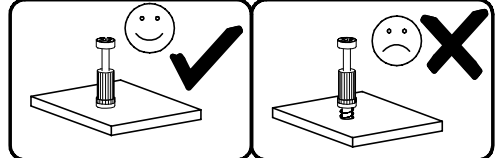
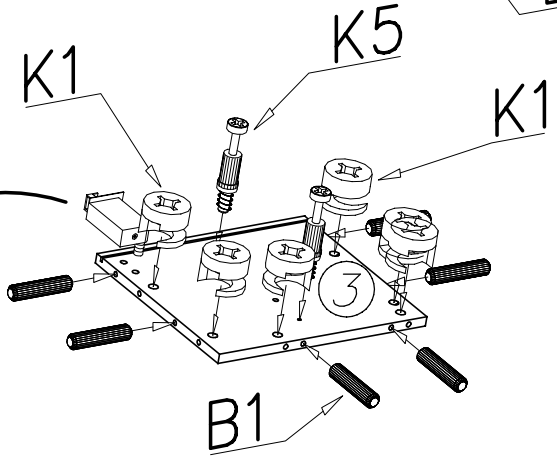
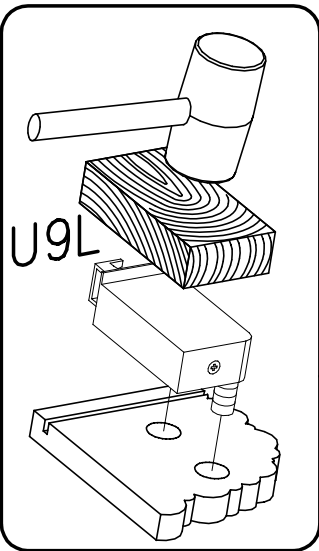
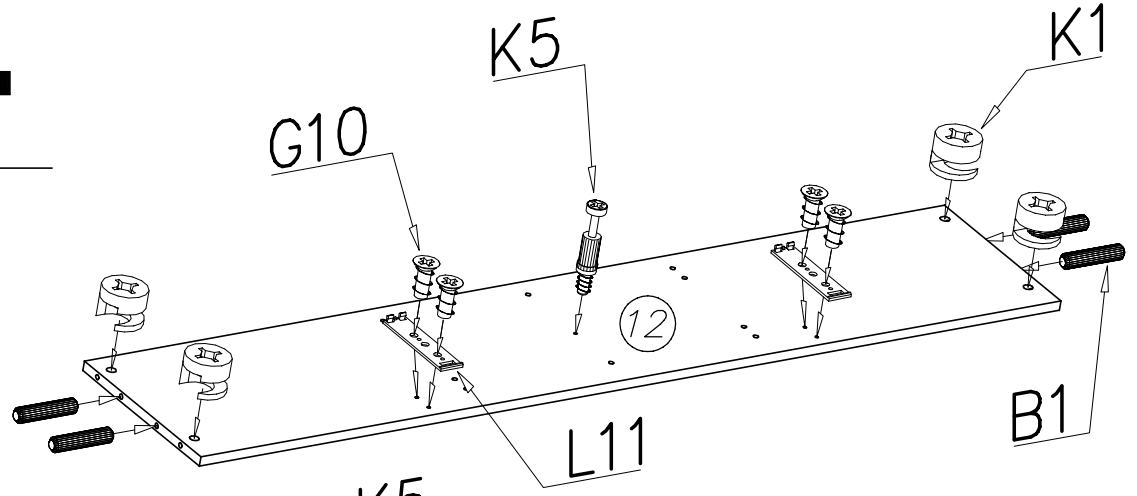
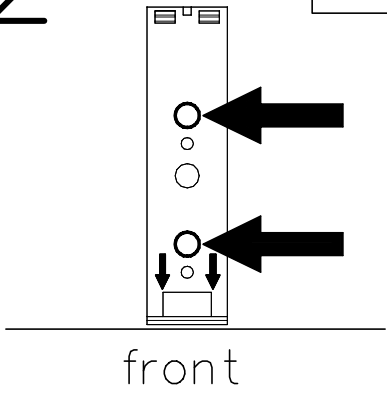


K5		11x
D3		4x
Z35PR		4x
K1		4x
ø15x12		4x
B1		3x
ø8x30		3x

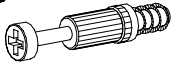
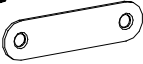



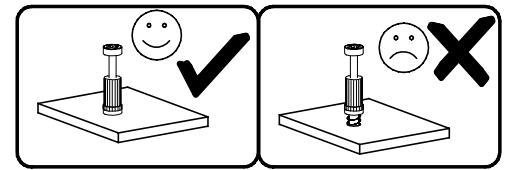
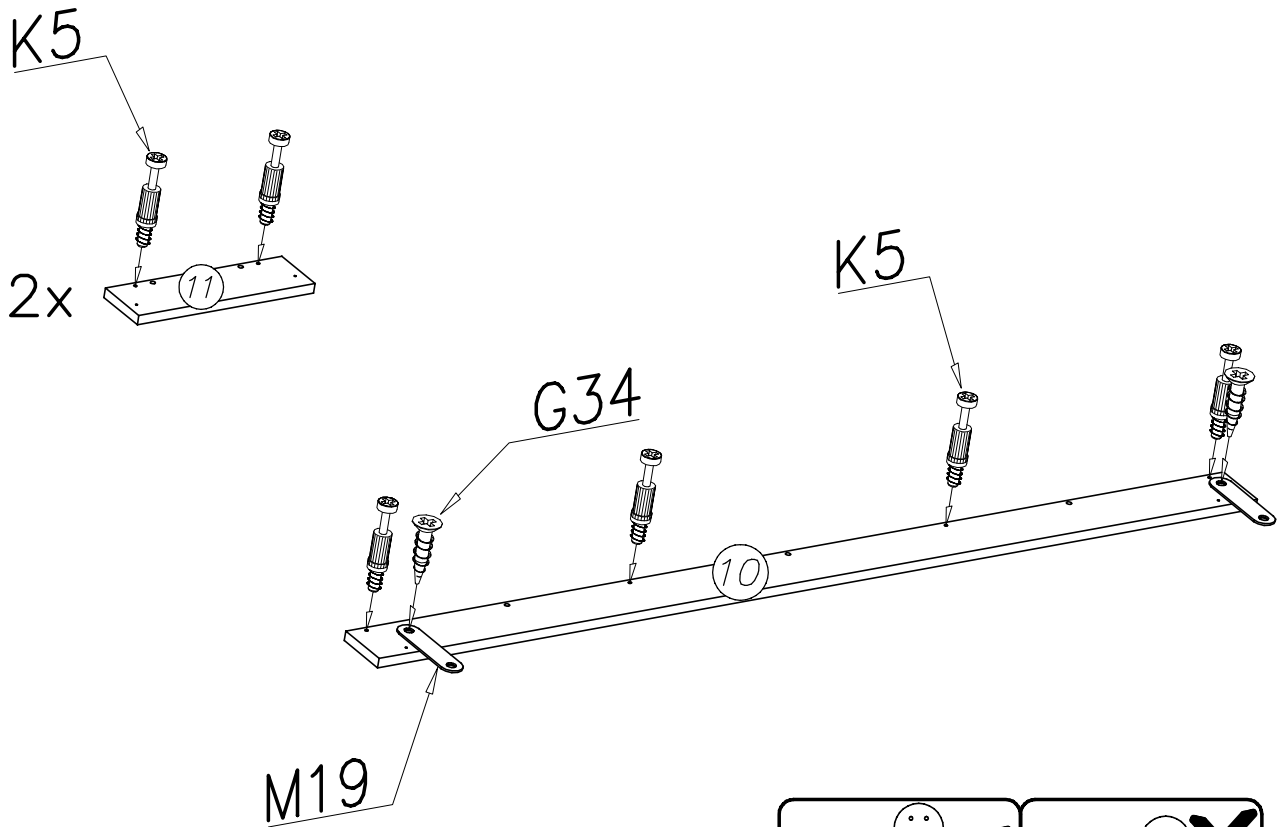
# 2

K1 Ø15x12 20x	K5 5x	U9L 1x	U9R 1x
B1 Ø8x30 28x	L11 2x	G10 6x13 4x	

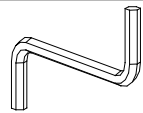



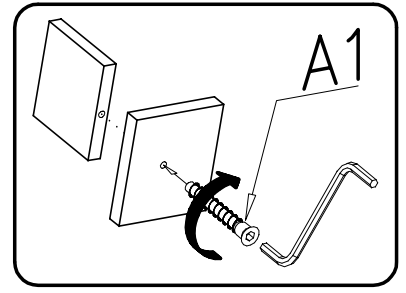
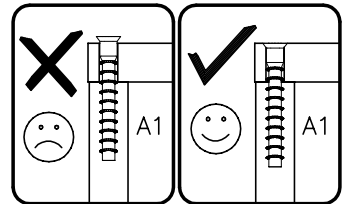
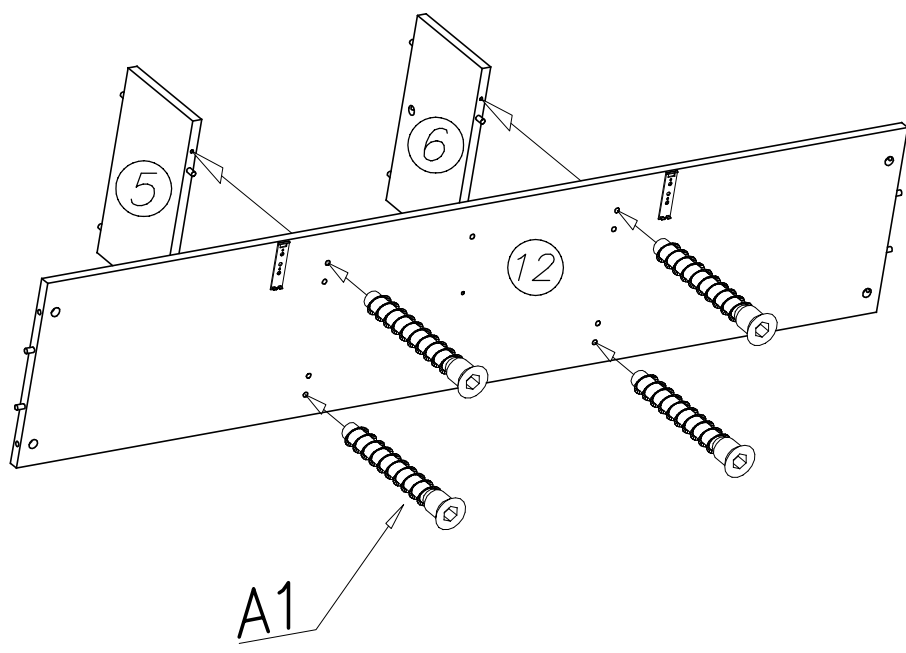
# 3

K5  8x	M19  2x	G34  3,5x16 2x
--	---	---

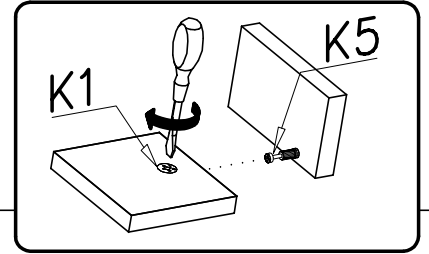
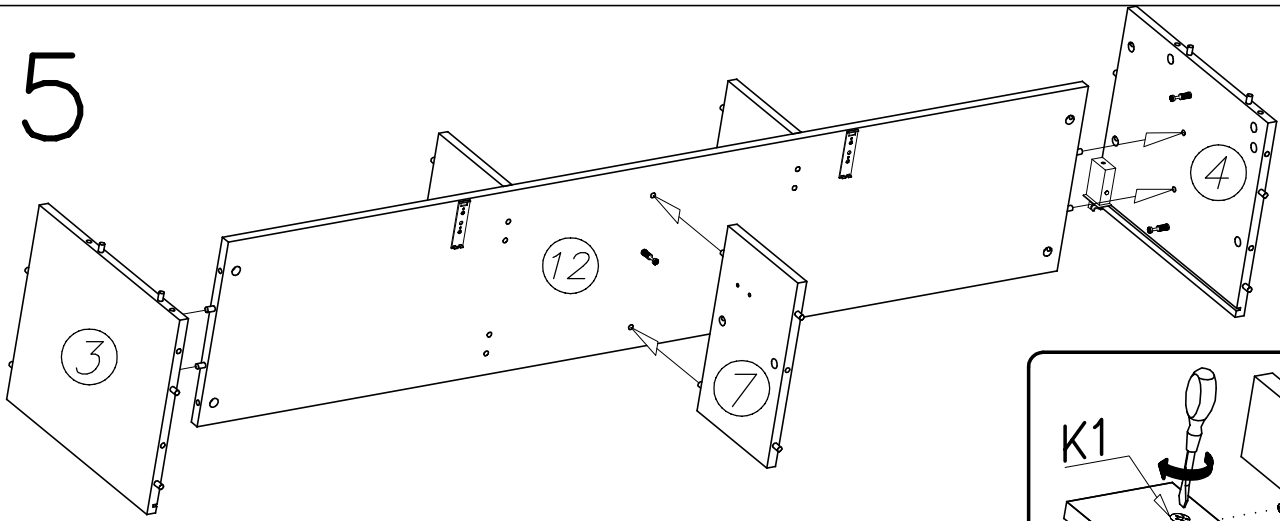


# 4

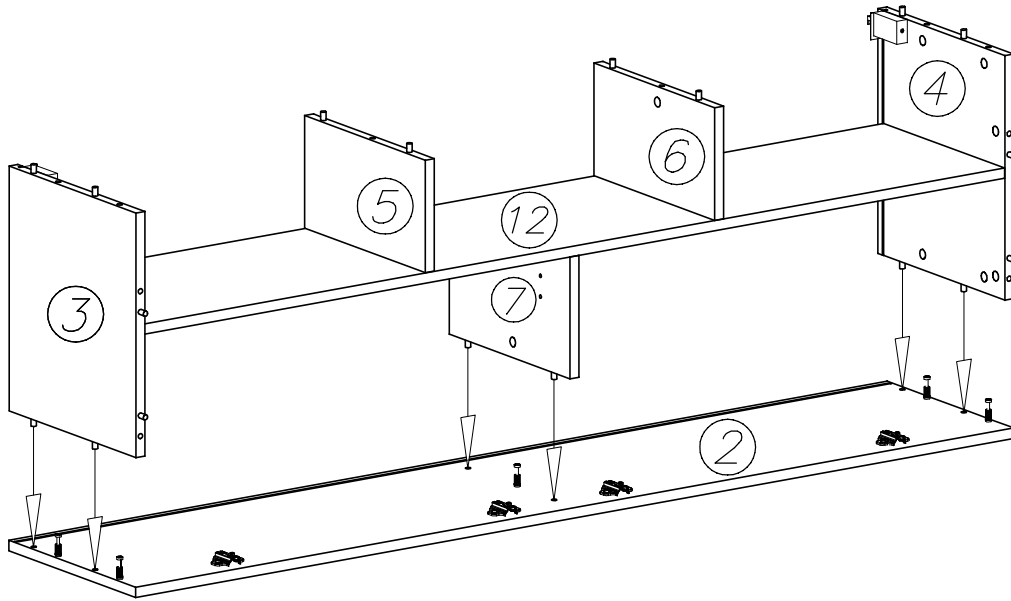
W2 4mm  1x	A1  ø7x50 4x
--	--



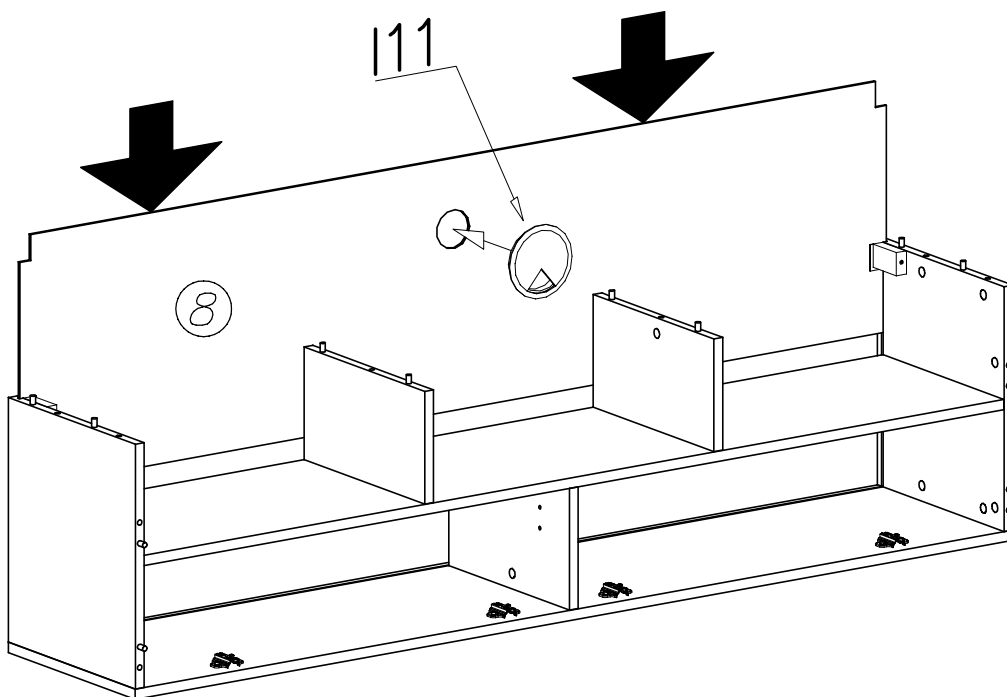
5


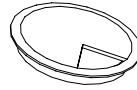


6

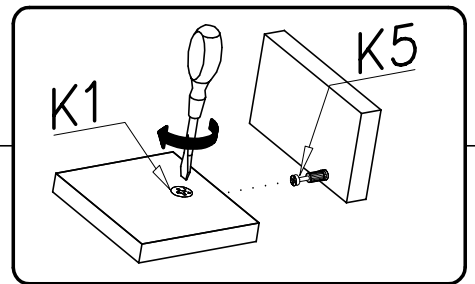
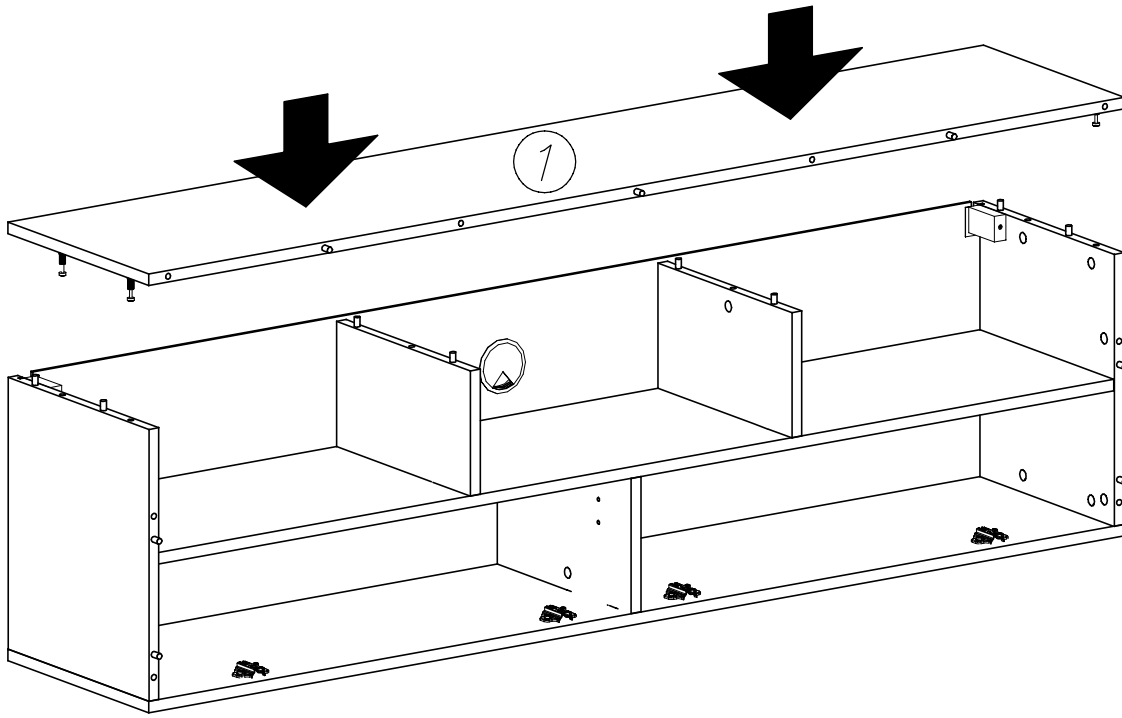


7

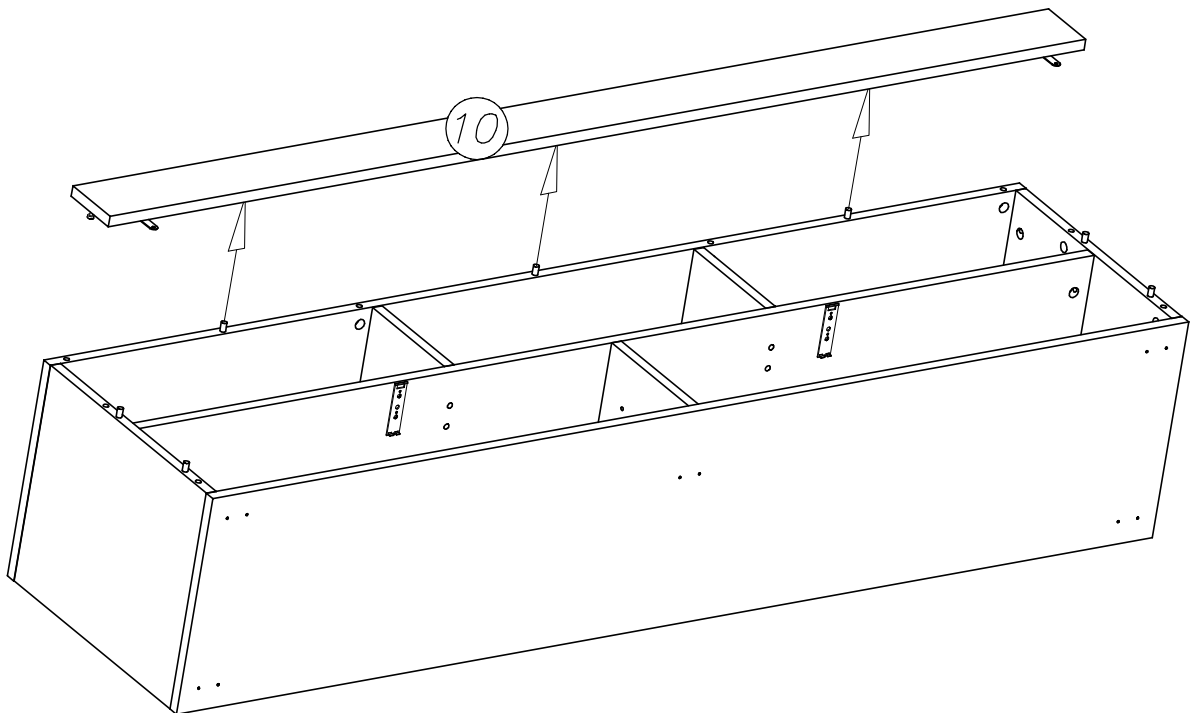


- l11b  1x
- Ø60
- l11a  1x
- Ø60

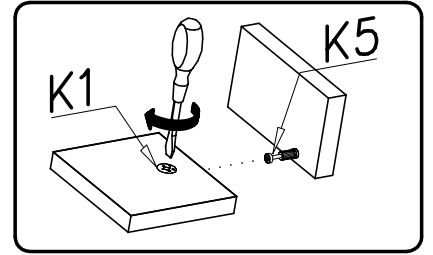
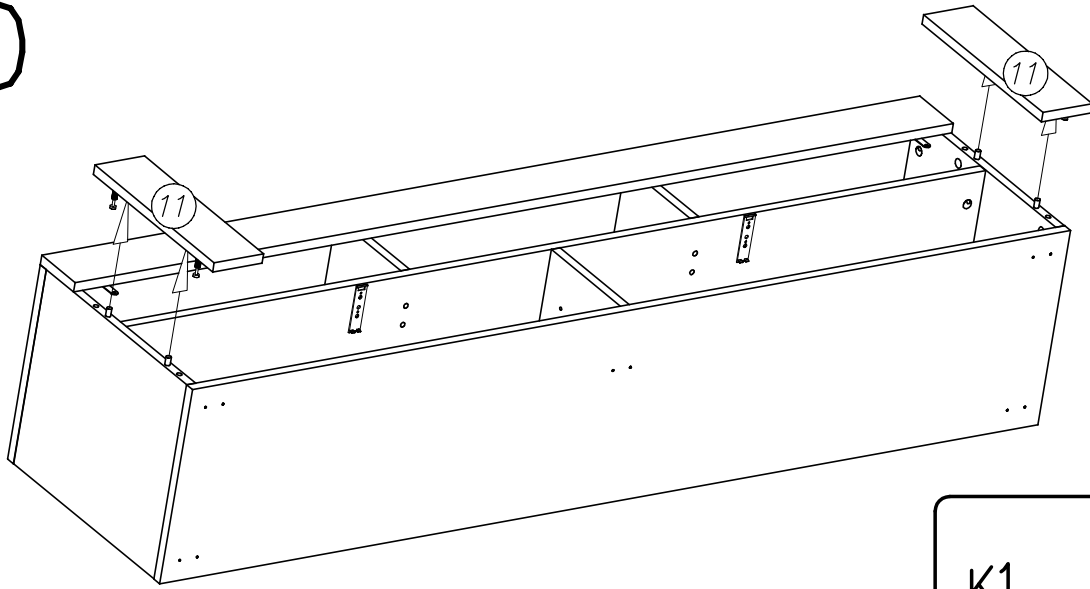
8



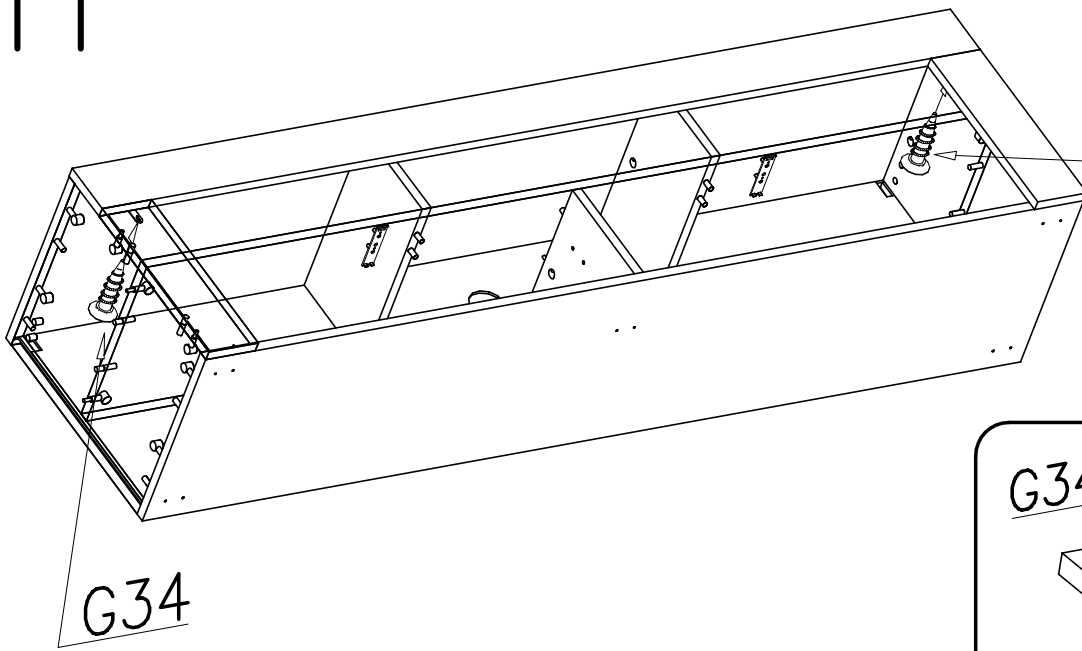
9



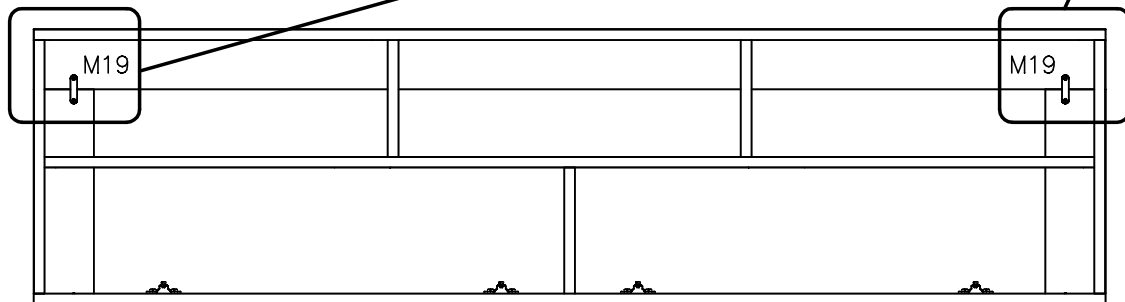
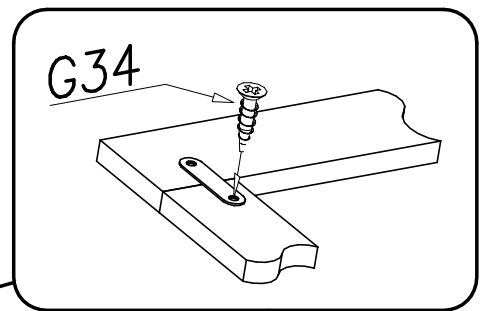
# 10



# 11



G34  
3,5x16 2x



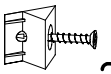
# 12

G22



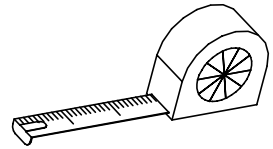
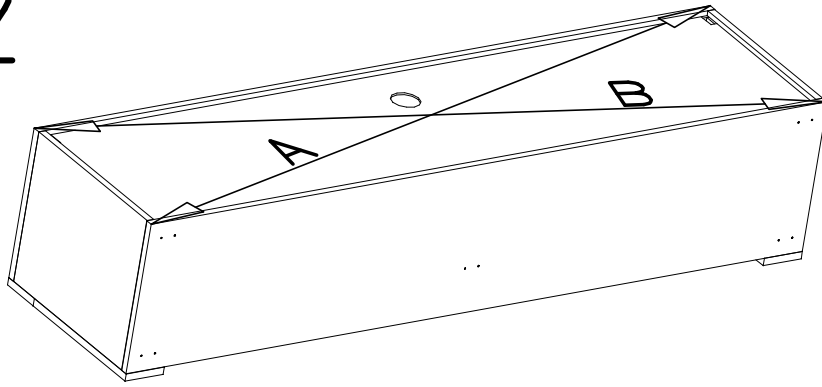
3x16

I1

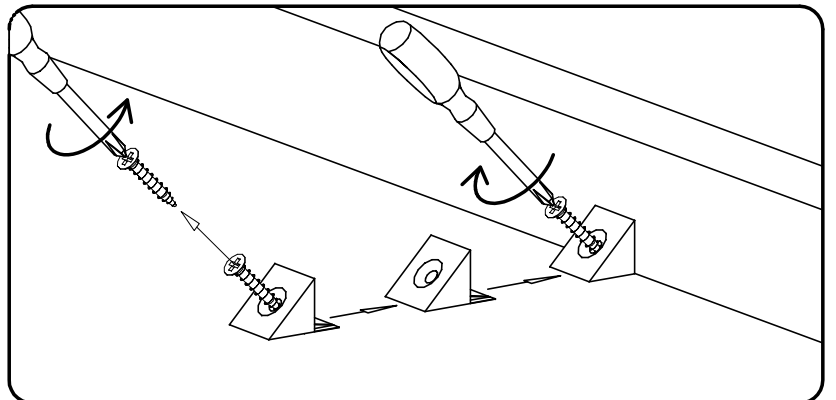
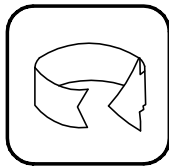
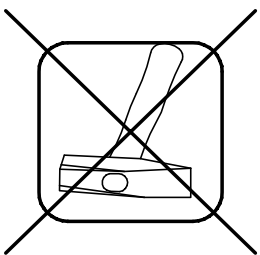
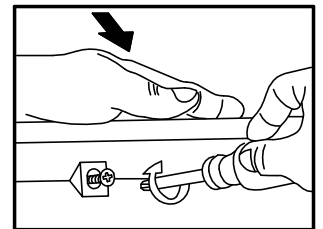
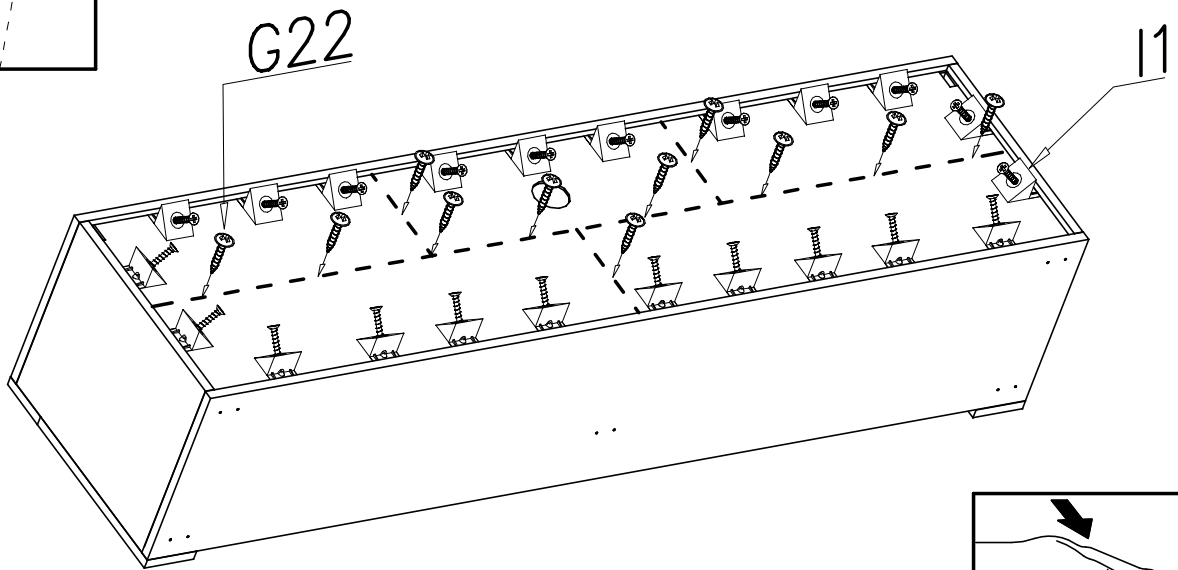
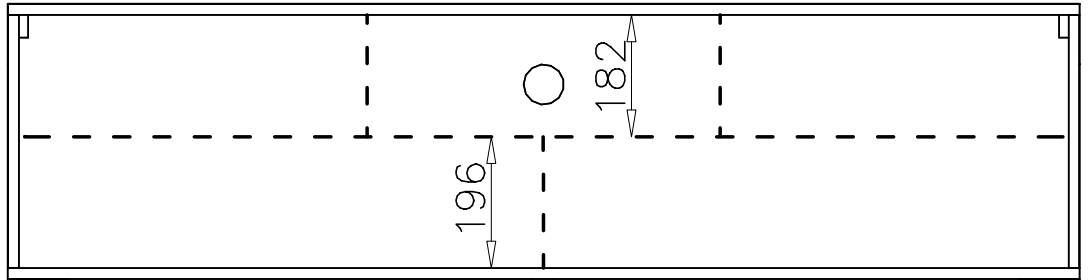
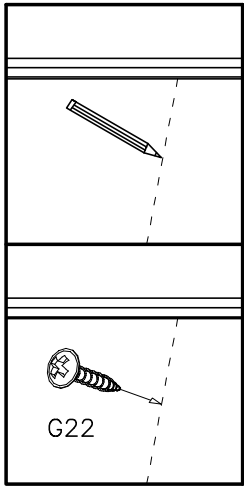


11x

22x

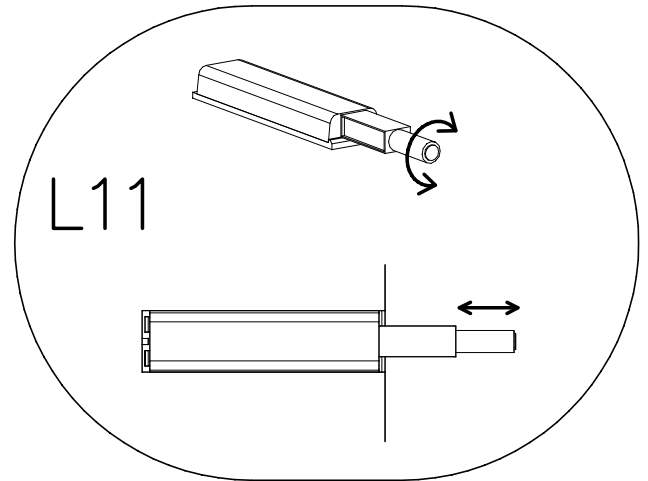
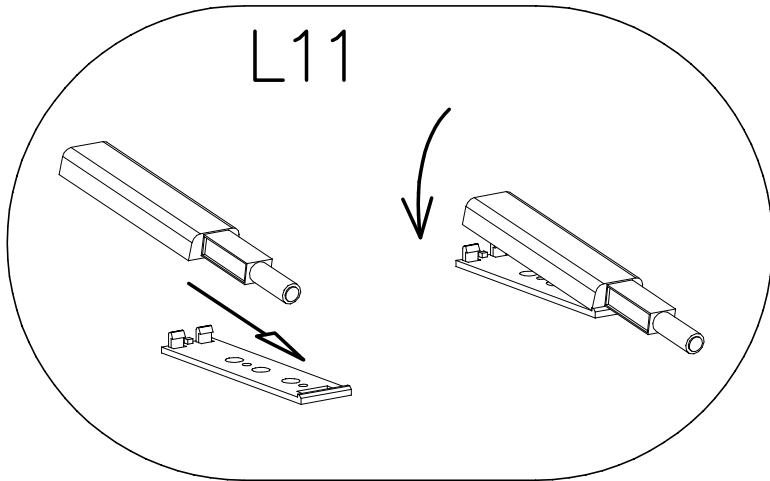
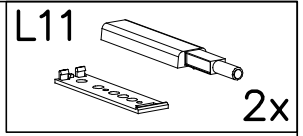
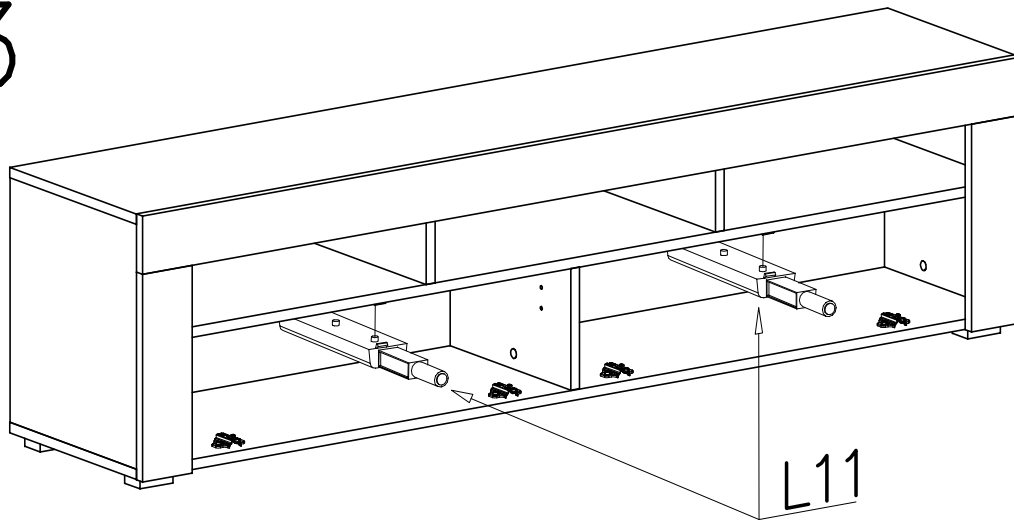


A=B

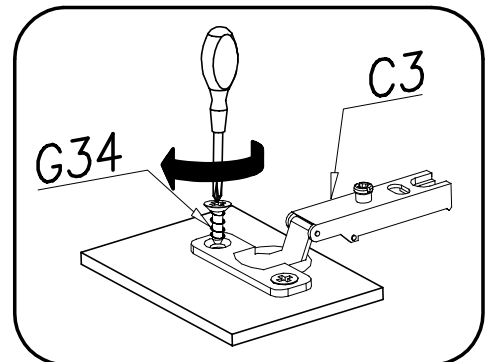
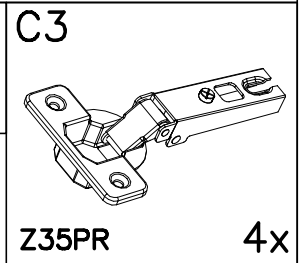
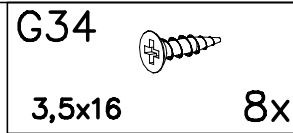
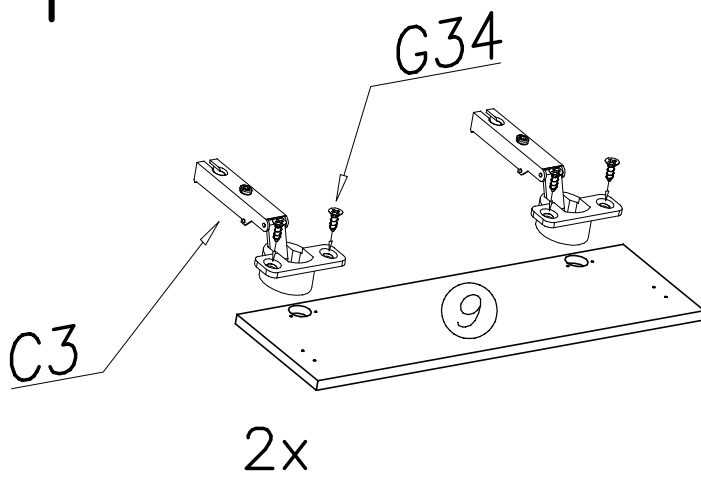




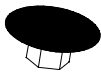

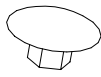
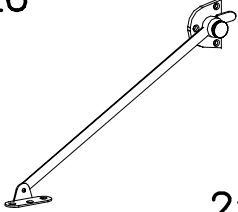
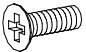
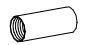
# 13

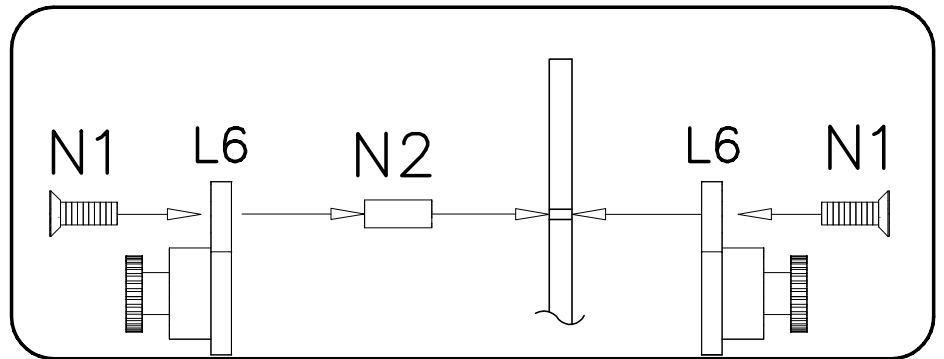
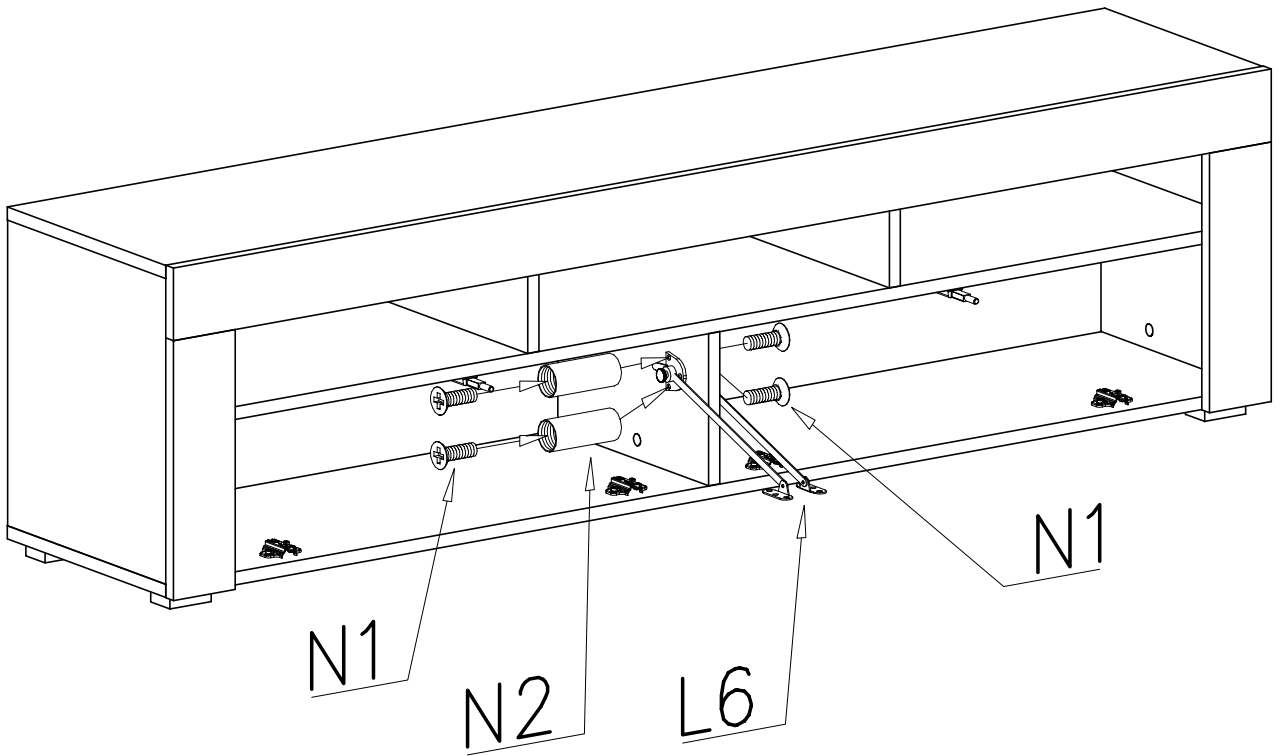
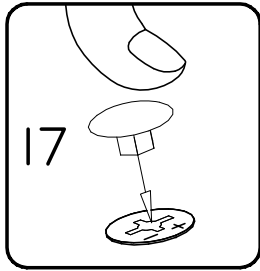


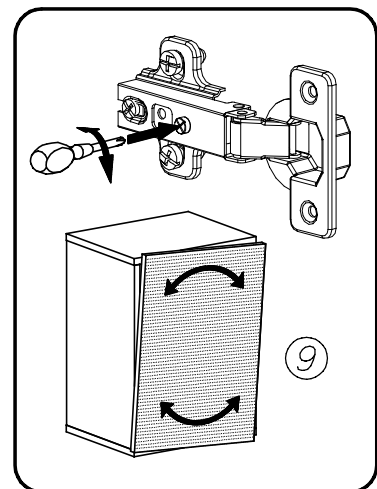
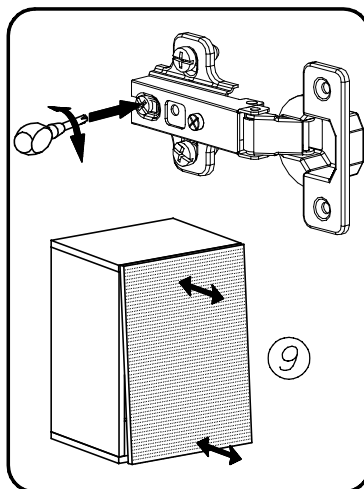
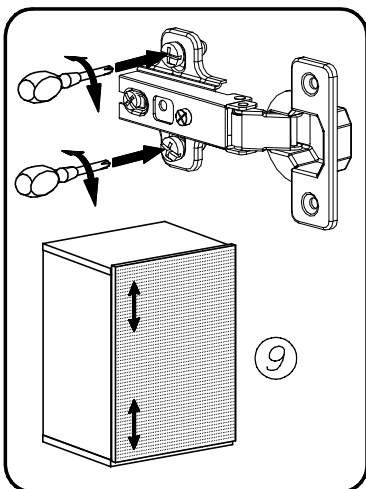
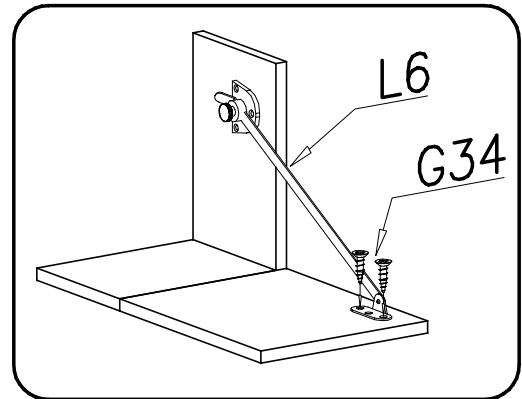
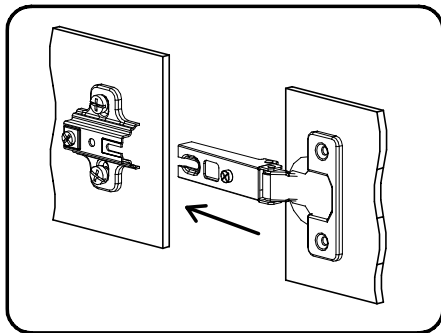
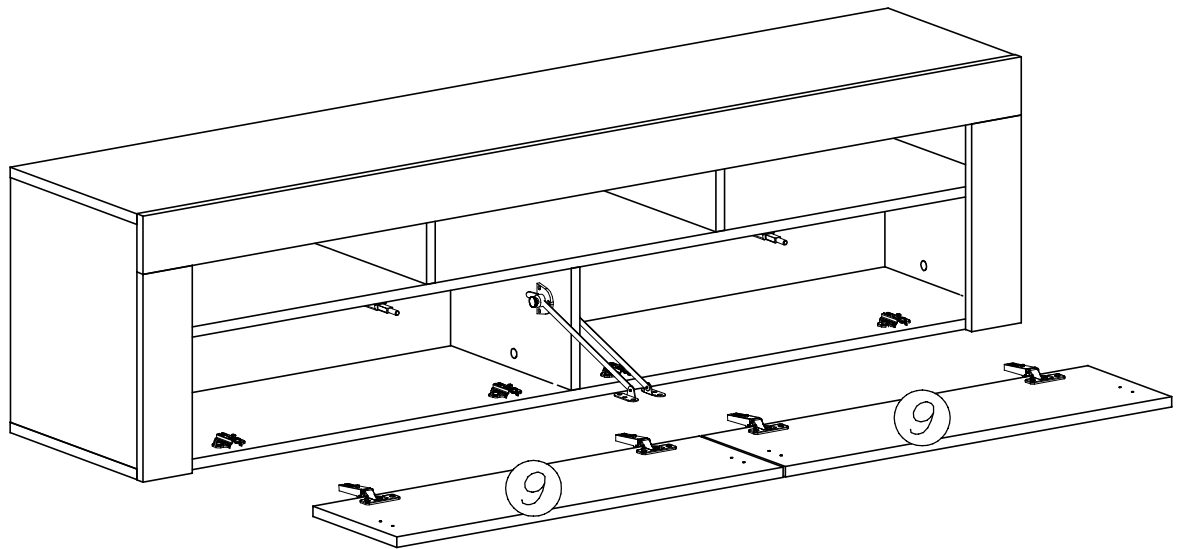
# 14



# 15

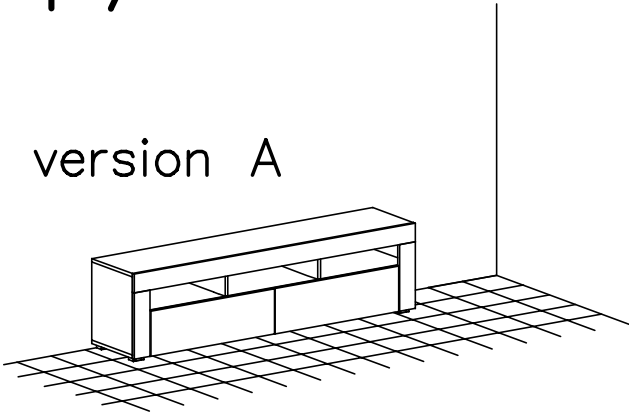
17c ø18 24x		17b ø18 24x		17a ø18 24x		L6 	2x
N1 M4x8 4x		N2 ø5x12 2x					



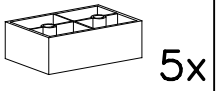


# 17

version A



P15



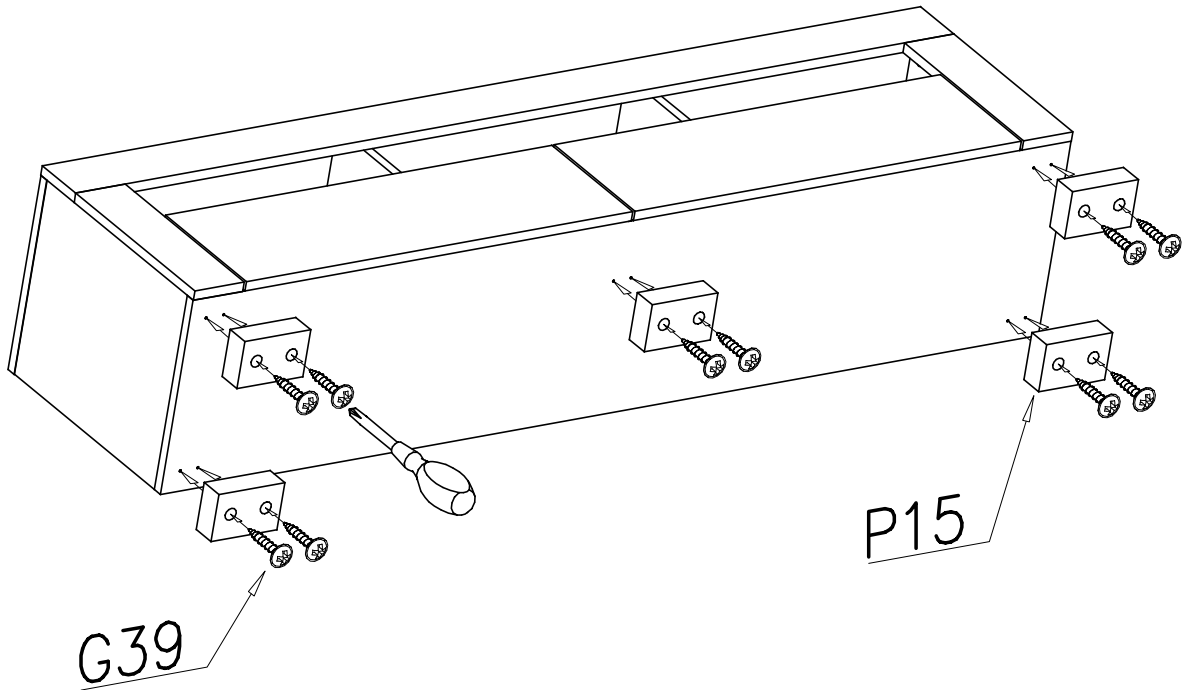
5x

G39



4x20

10x

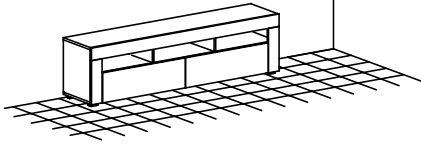


# 18

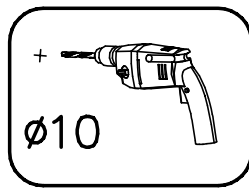
U7S  
2x

U8  
ø10x50  
2x

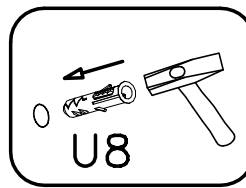
version A



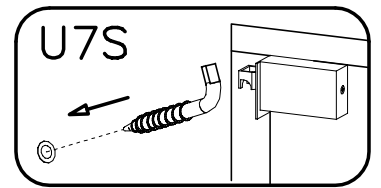
## 1



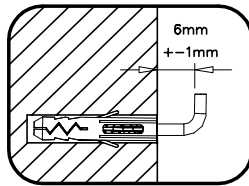
## 2



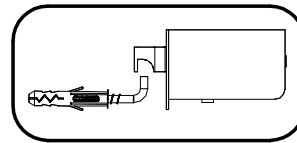
## 3



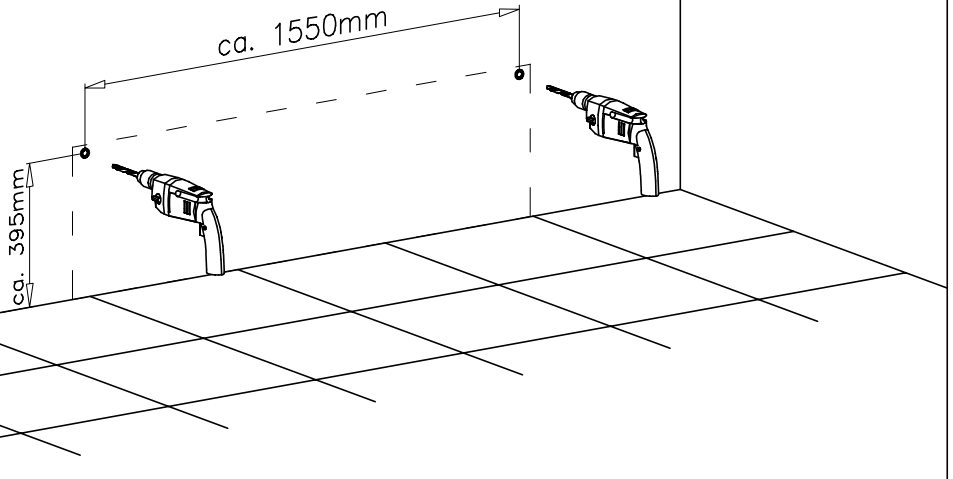
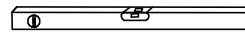
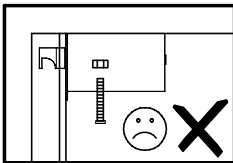
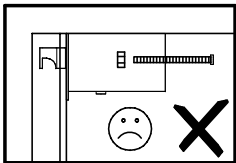
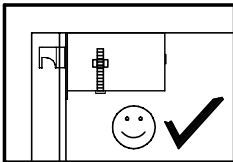
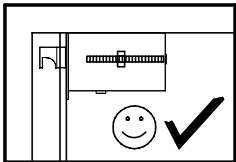
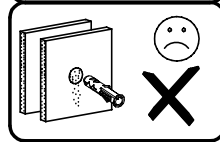
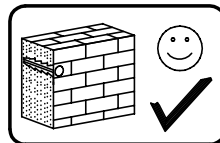
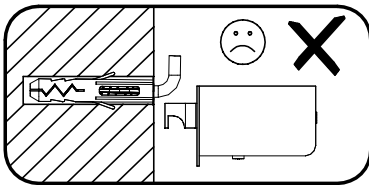
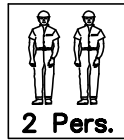
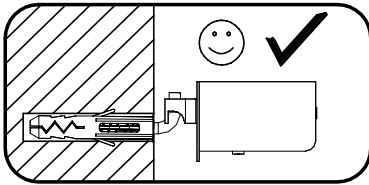
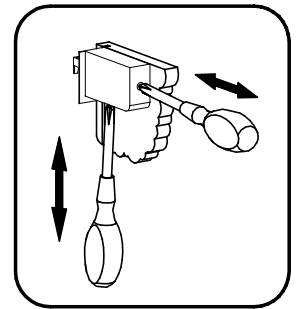
## 4



## 5



## 6

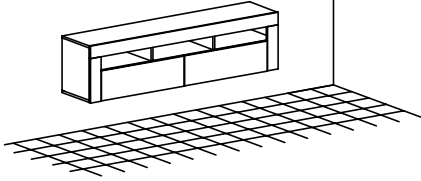


# 19

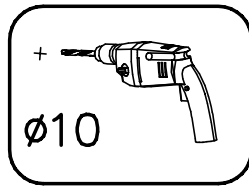
U7S  
2x

U8  
ø10x50  
2x

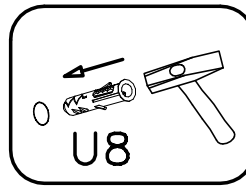
version B



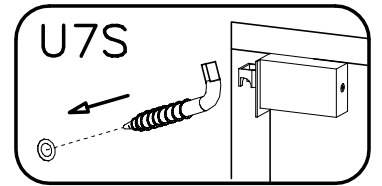
## 1



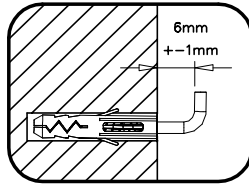
## 2



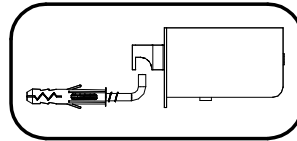
## 3



## 4



## 5



## 6

