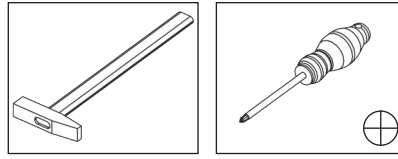


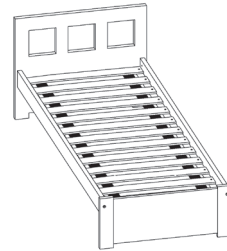
Tools required



DMD 6



DMD 7



DMD 8



DMD 9



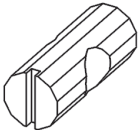


- Do not throw away packaging materials until assembly is complete.
- Assemble this item on a soft surface, such as cardboard, towel, carpet. It should protect finish.
- Keep plastic packages and other parts **away from children and infants**.
- All connections should be tight.
- Until starting assembling please read whole instruction.
- If You notice that the package is damaged don't assembly.



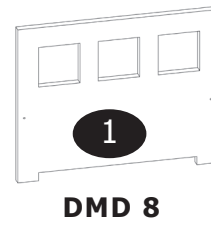
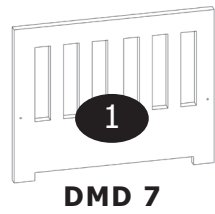
Parts in the packaging

- Before starting work please make sure You have all the parts.

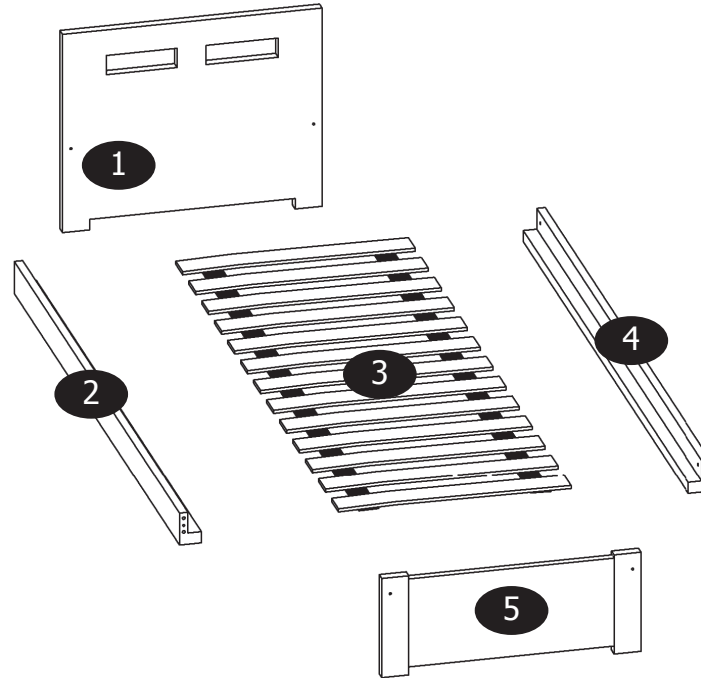


<p>E1</p>  <p>7,8x35 mm 8x</p>	<p>G7</p>  <p>4x</p>	<p>G0</p>  <p>4x</p>
<p>K1</p>  <p>1x</p>	<p>S1F</p>  <p>Ø3,5x16 26x</p>	

Other elements

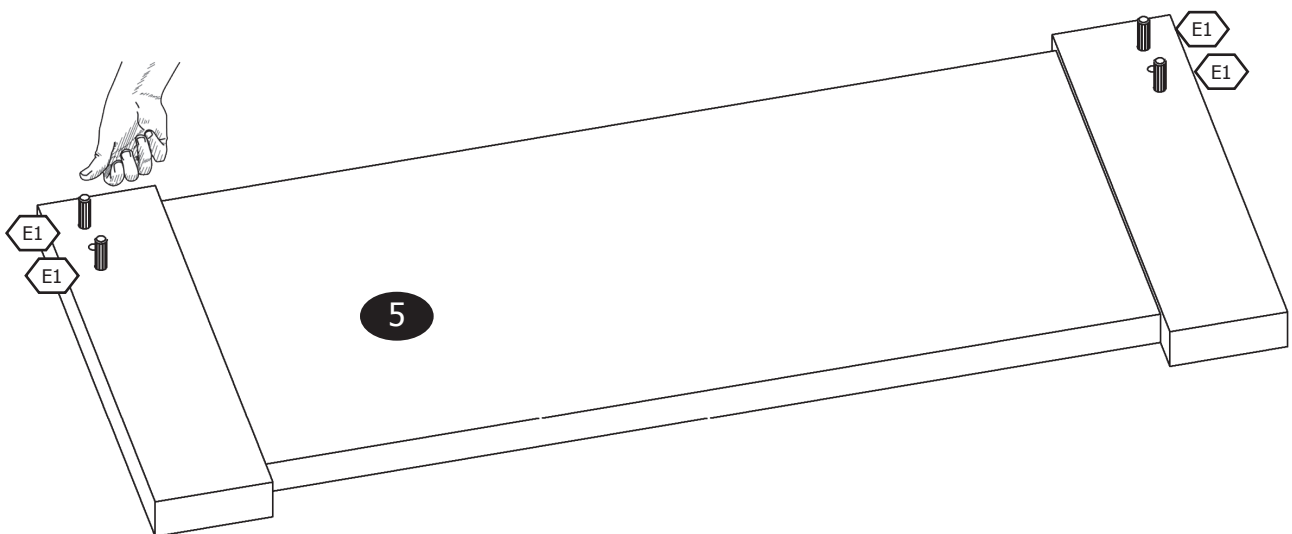
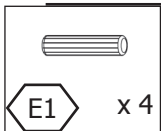


- 1** x 1
- 2** x 1
- 3** x 1
- 4** x 1
- 5** x 1

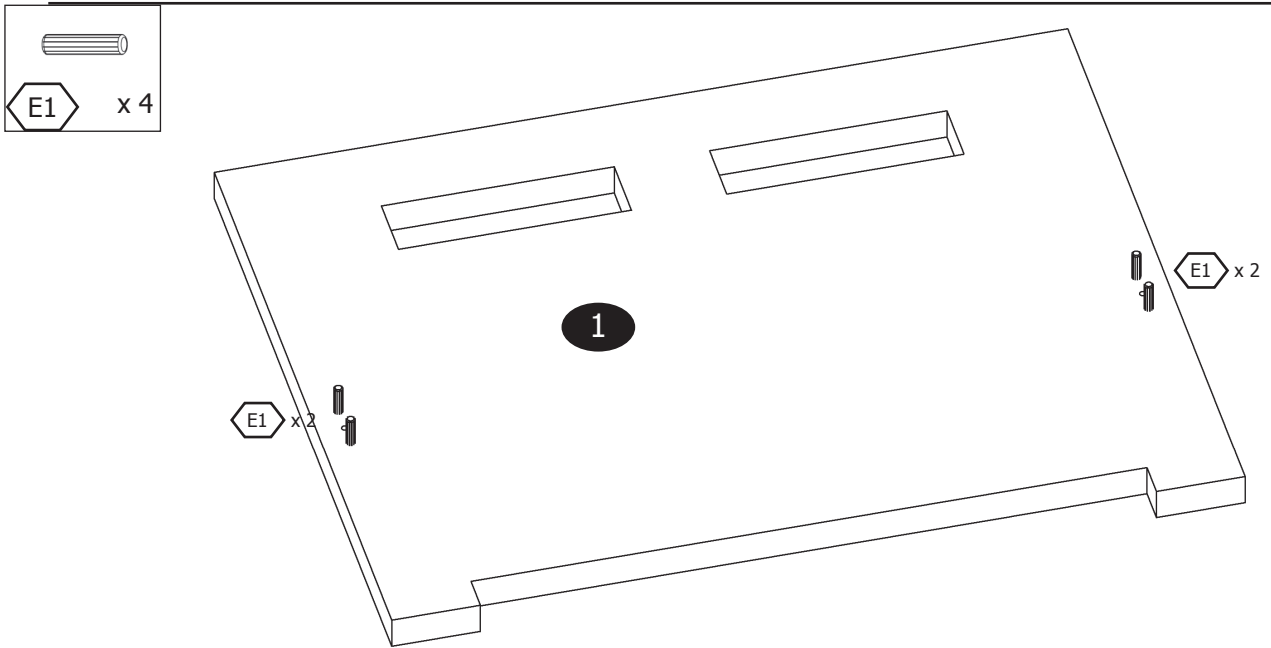


Assembly instructions

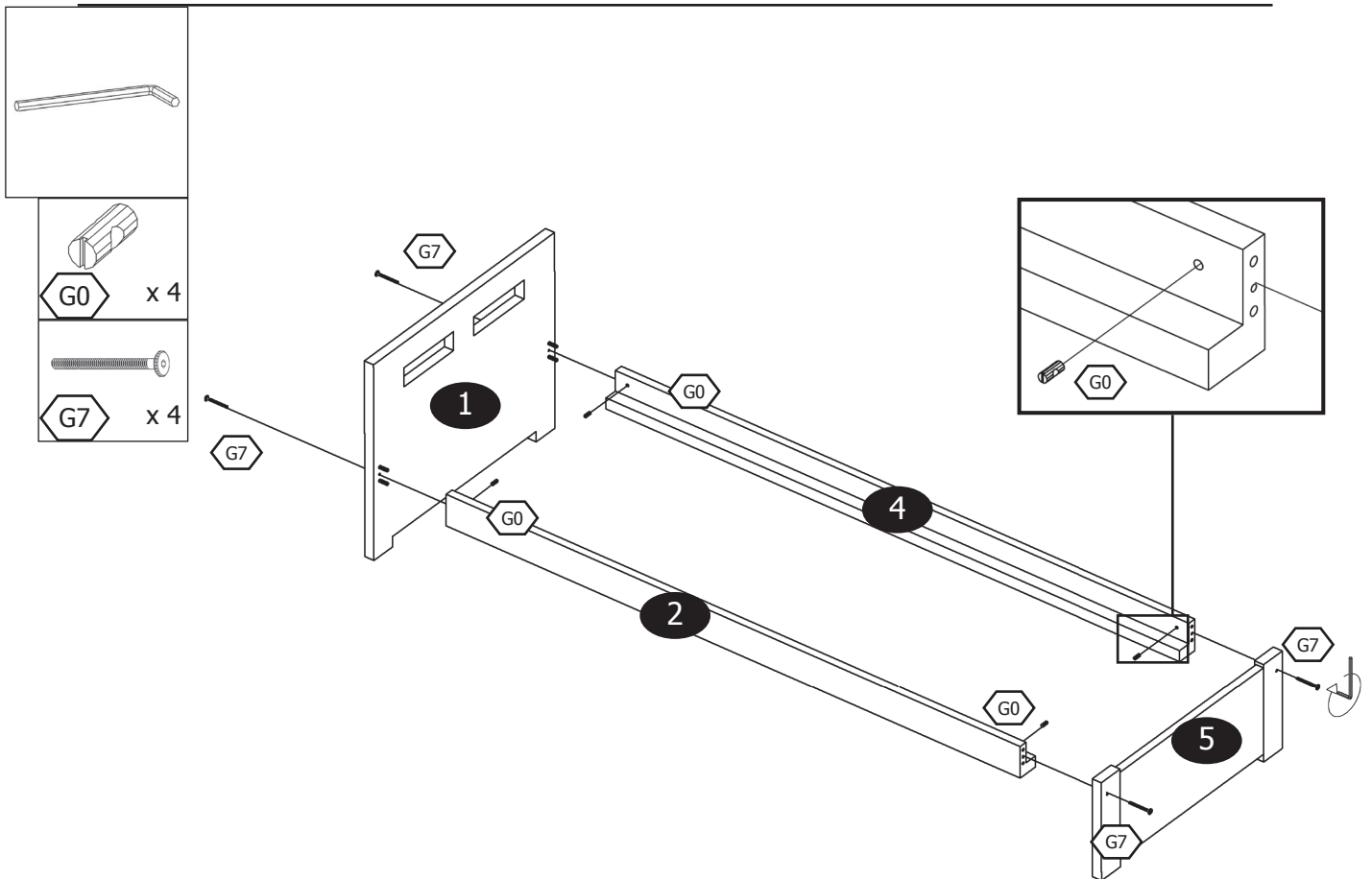
1

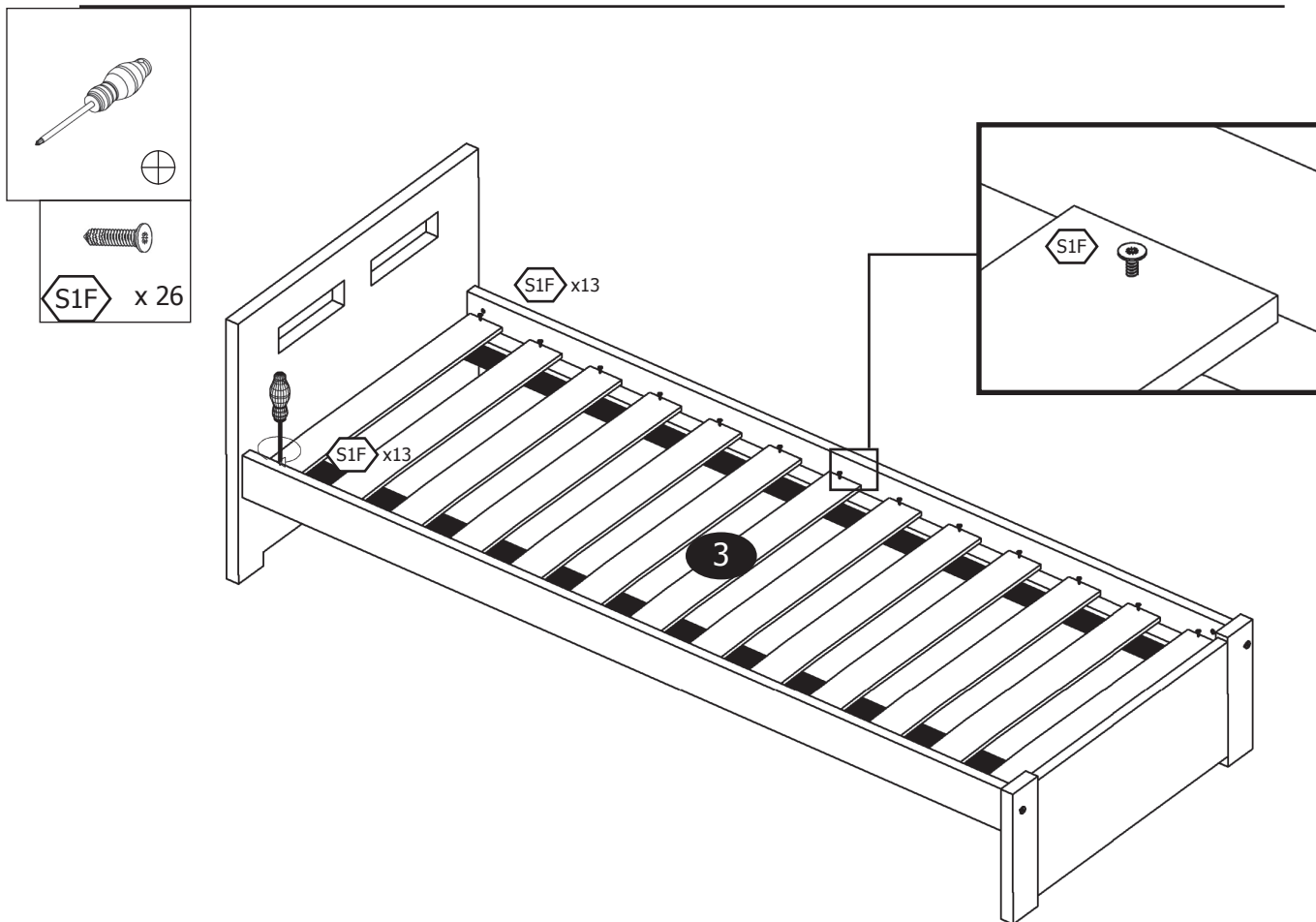


2

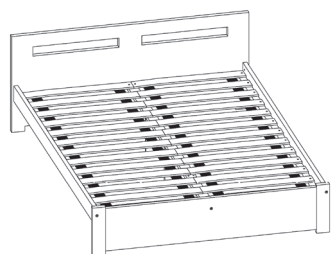
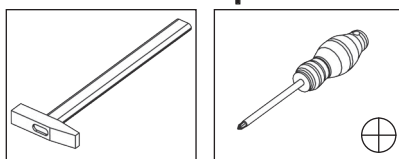


3

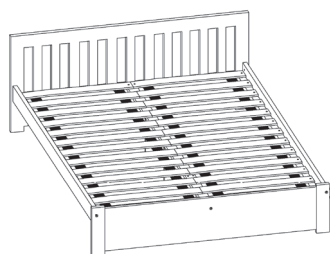




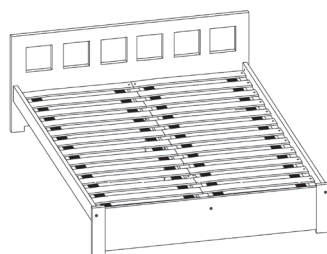
Tools required



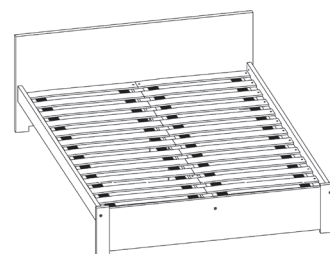
DMD 6



DMD 7



DMD 8



DMD 9

- Do not throw away packaging materials until assembly is complete.
- Assemble this item on a soft surface, such as cardboard, towel, carpet. It should protect finish.
- Keep plastic packages and other parts **away from children and infants**.
- All connections should be tight.
- Until starting assembling please read whole instruction.
- If You notice that the package is damaged don't assembly.



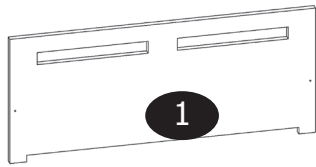
Parts in the packaging

- Before starting work please make sure You have all the parts.

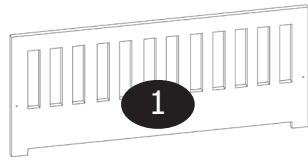


<p>E1</p> <p>7,8x35 mm 8x</p>	<p>G7</p> <p>6x</p>	<p>G0</p> <p>4x</p>
<p>E1b</p> <p>7,8x55 mm 4x</p>	<p>F3</p> <p>6x</p>	<p>S1F</p> <p>Ø3,5x16 30x</p>
<p>K1</p> <p>1x</p>		

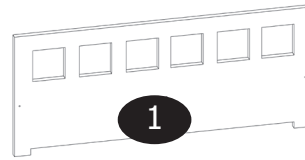
Other elements



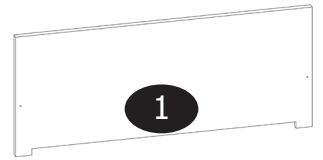
DMD 6



DMD 7



DMD 8



DMD 9

1 x 1

2 x 1

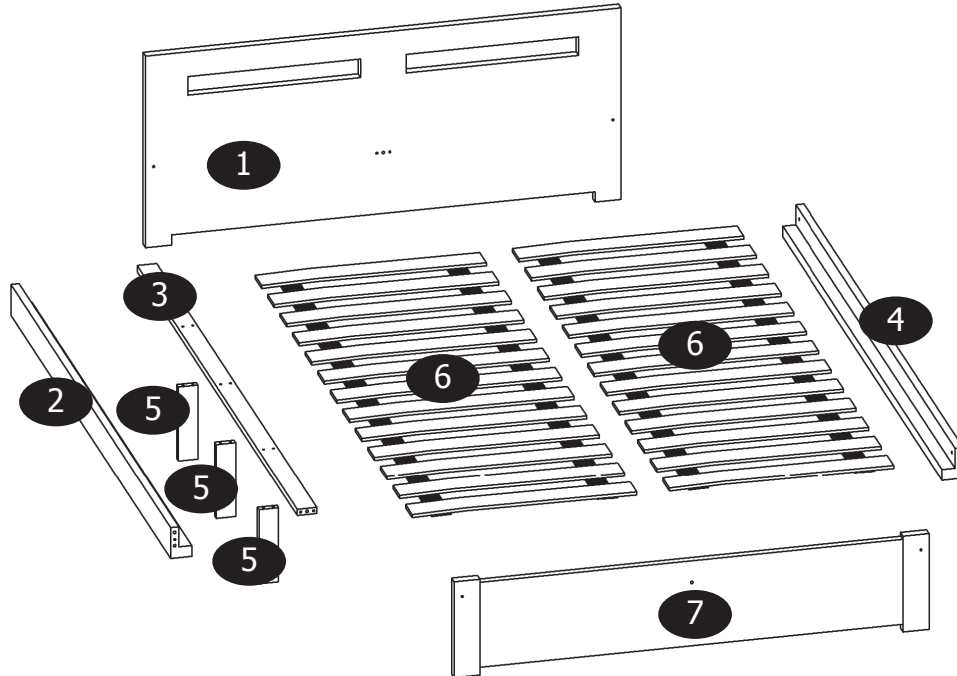
3 x 1

4 x 1

5 x 3

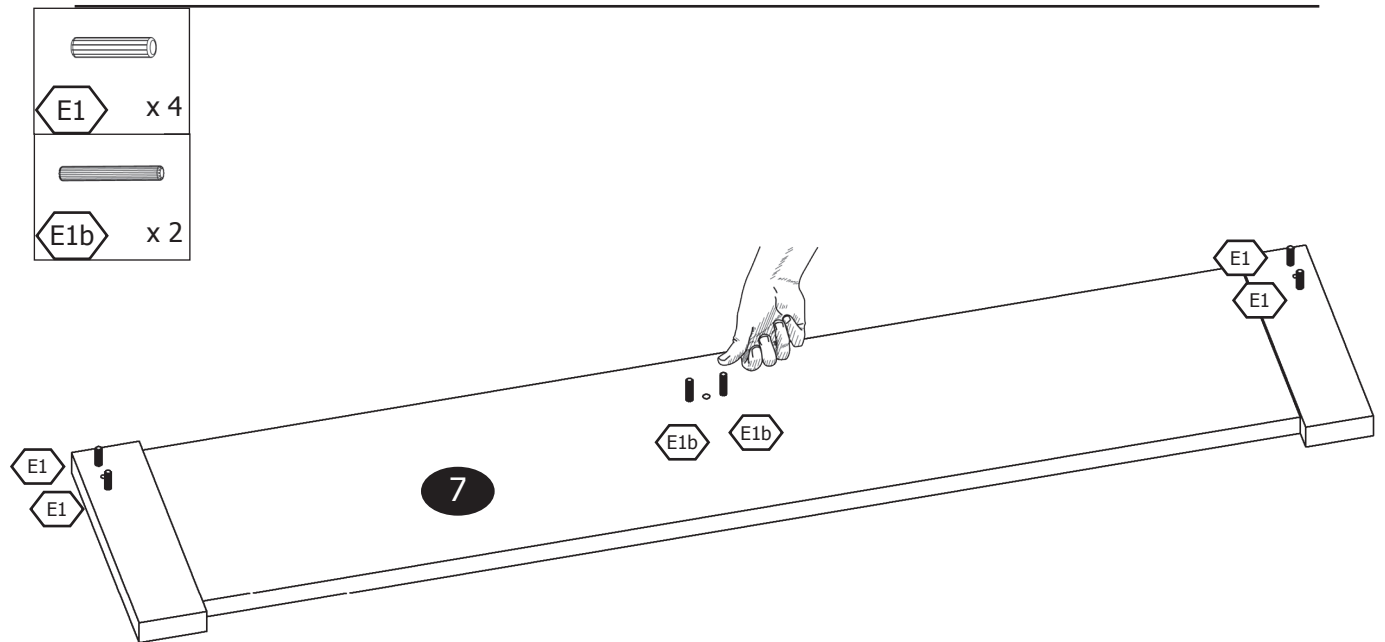
6 x 2

7 x 1

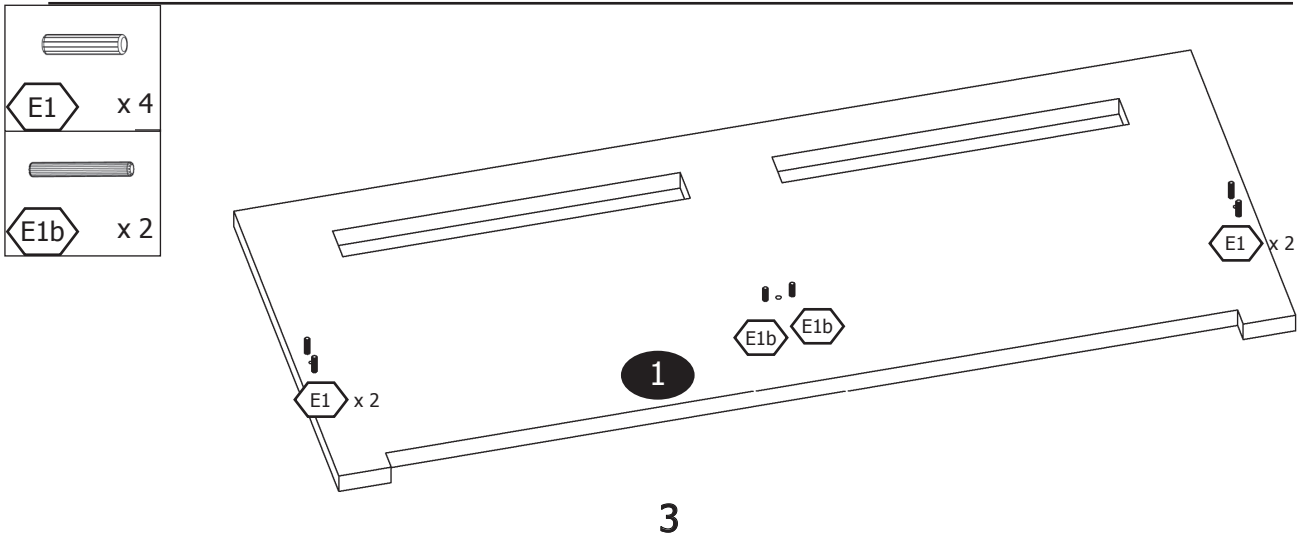


Assembly instructions

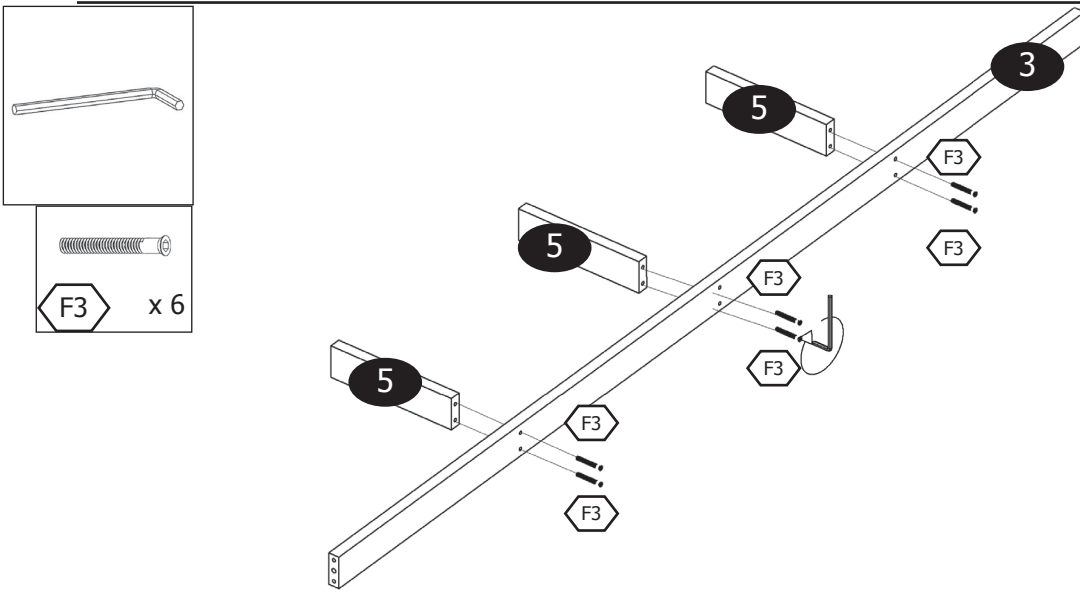
1



2



3



4

