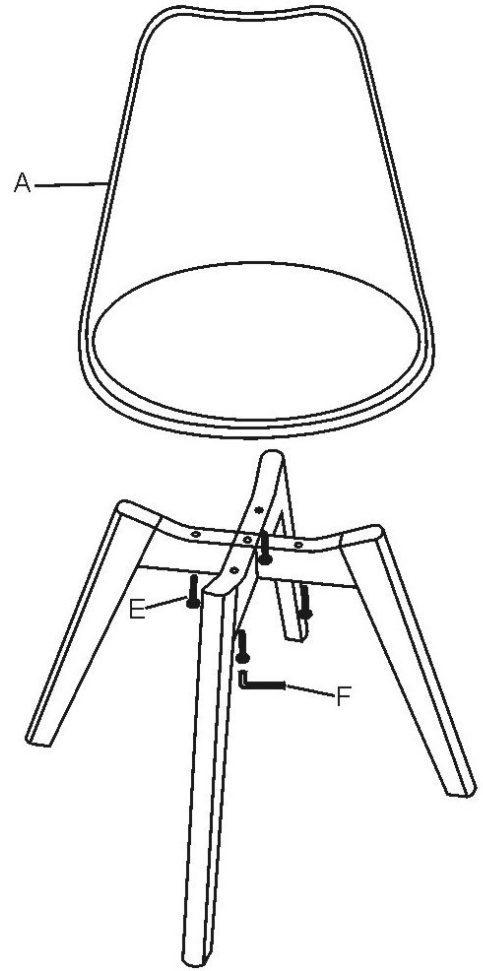
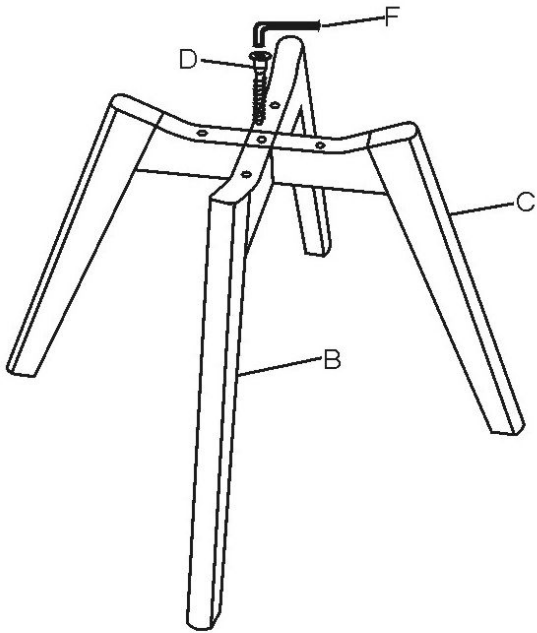


KRIS



A		1
B		1
C		1
D		1
E		4
F		1