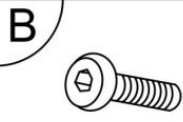
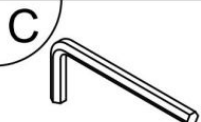


φ6*16mm x4

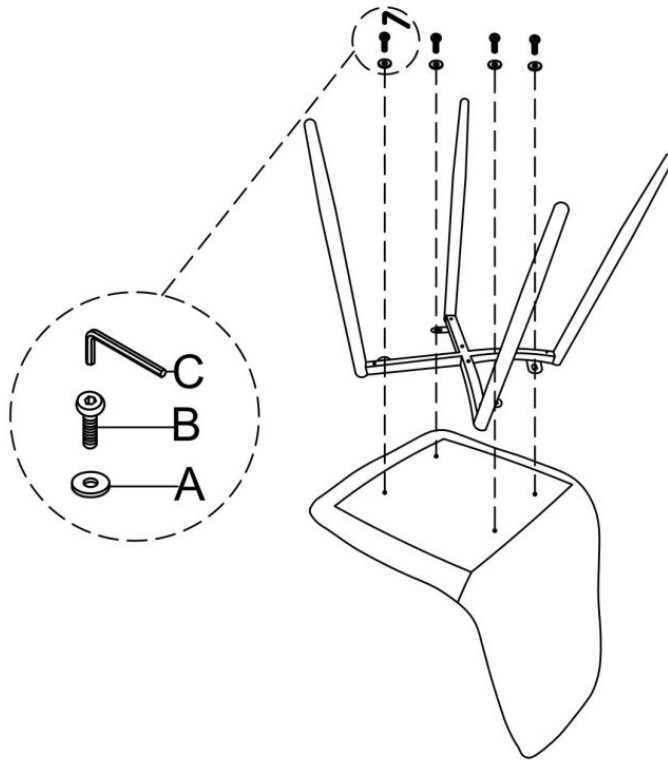


M6*16mm x4



x1

1



2

