

A



M6*13 x4

B



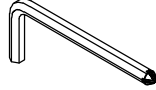
M6*35 x2

C



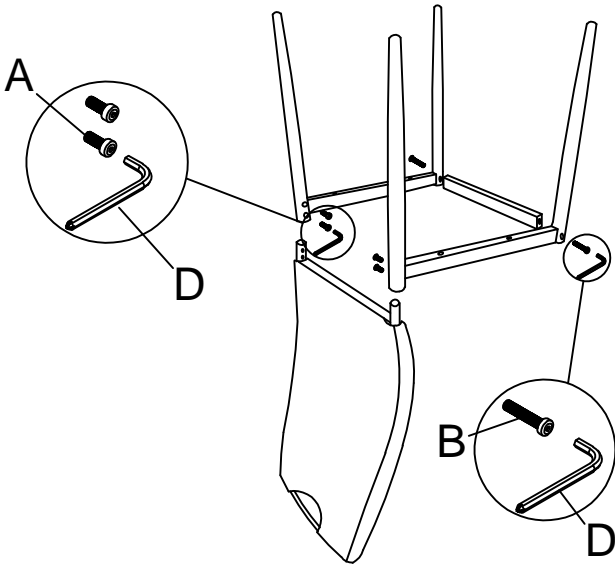
M4*45 x4

D

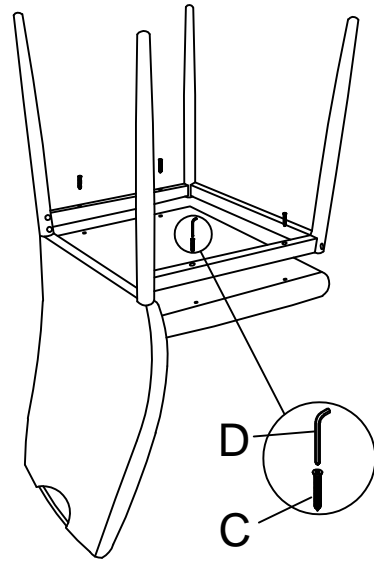


x1

1



2



3

