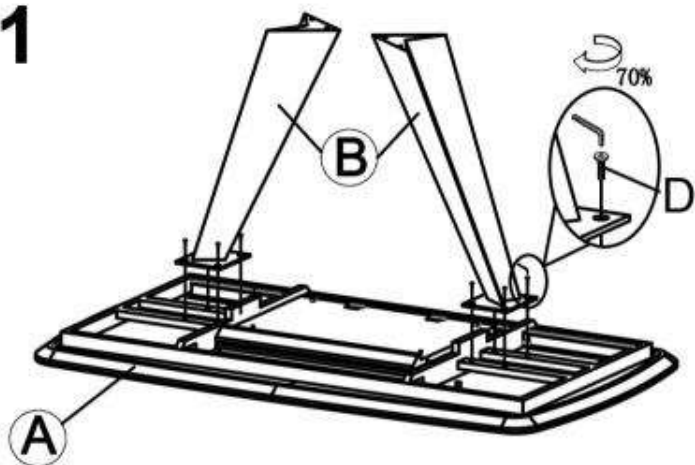
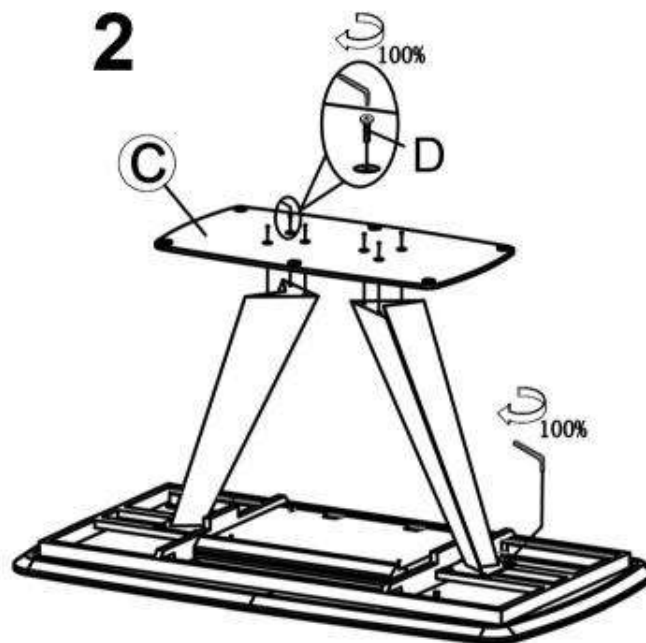






FANGOR

1

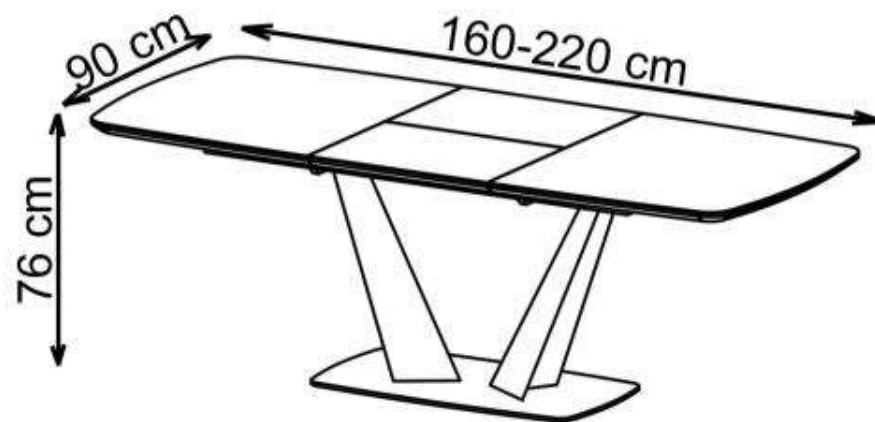


2



A		1
B		2
C		1
D	 M8*25mm	14

3



 max. 60 kg

