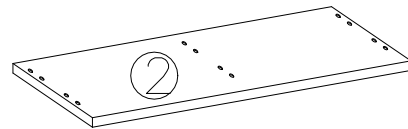
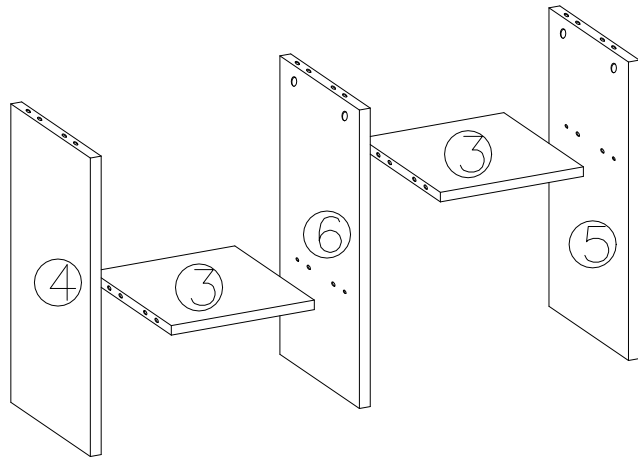
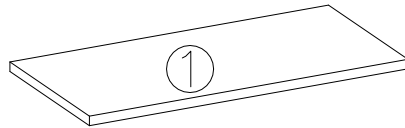
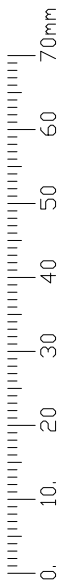
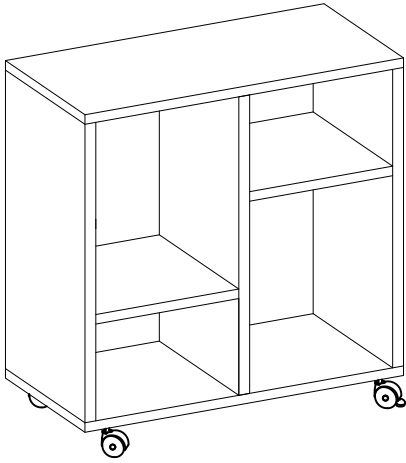



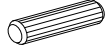
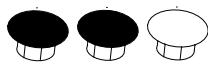




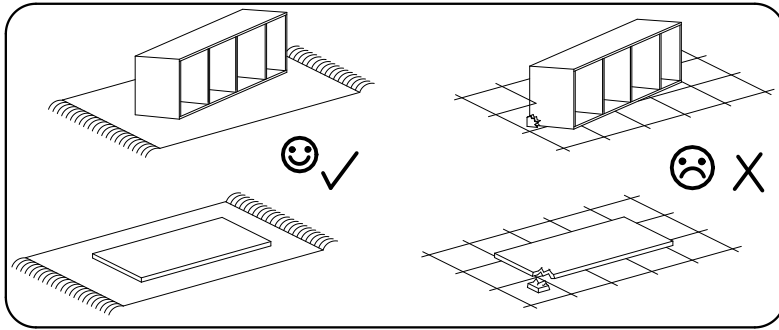


TRASCO 2

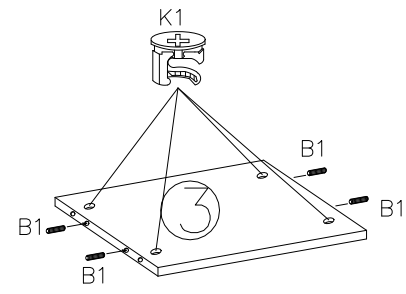
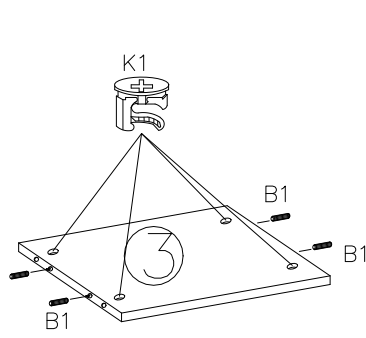
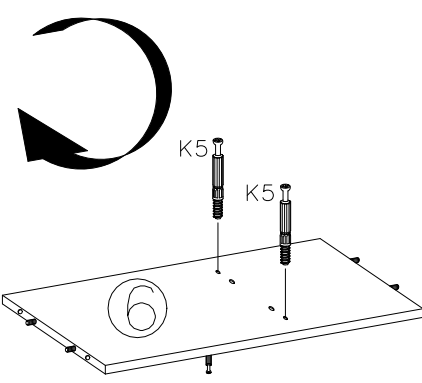
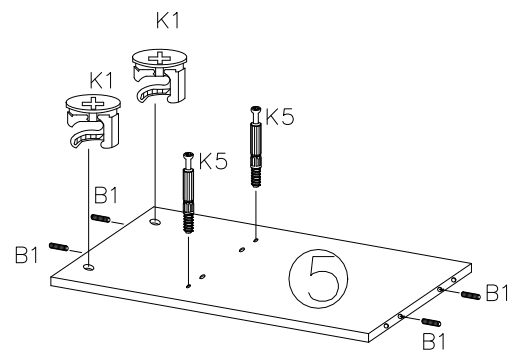
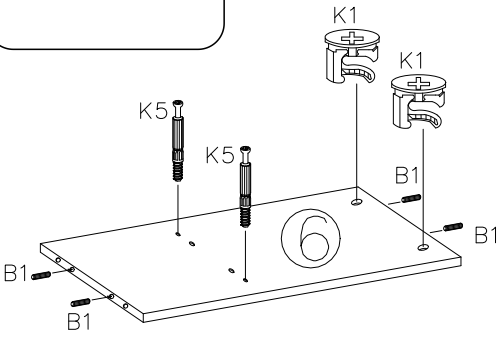
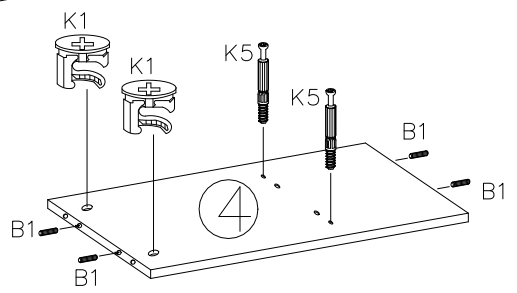
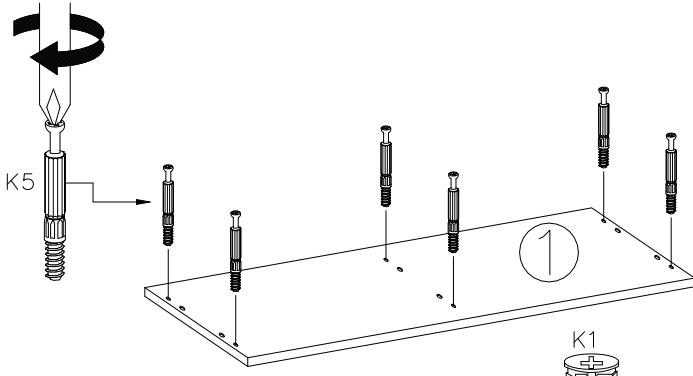
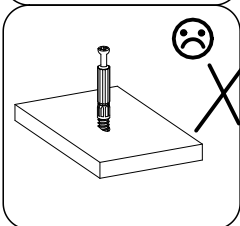
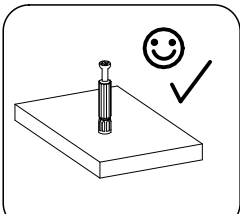


	P8  2x	P7  2x	A1  6x $\phi 7 \times 50$	B1  20x $\phi 8 \times 30$
I7  42x $\phi 18$	K1  14x 4mm	K5  14x 14x	G4  16x 4x16	W2  1x 4mm

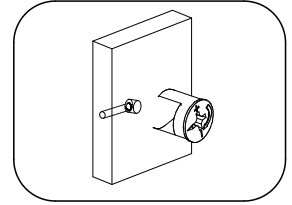
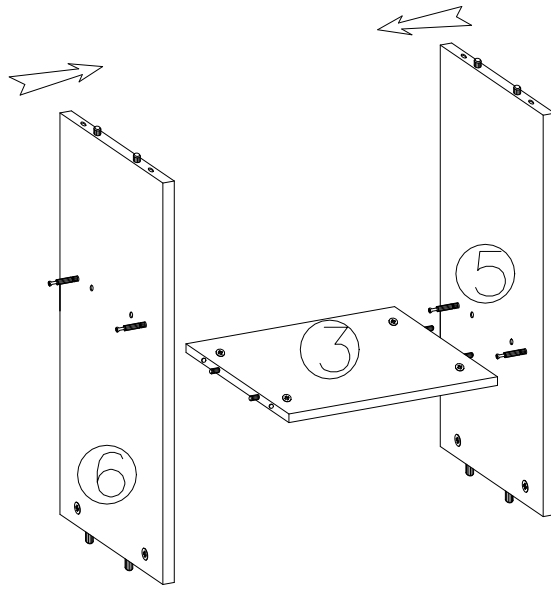
1



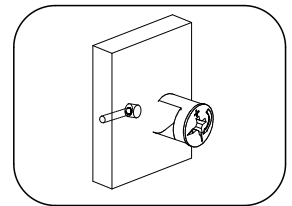
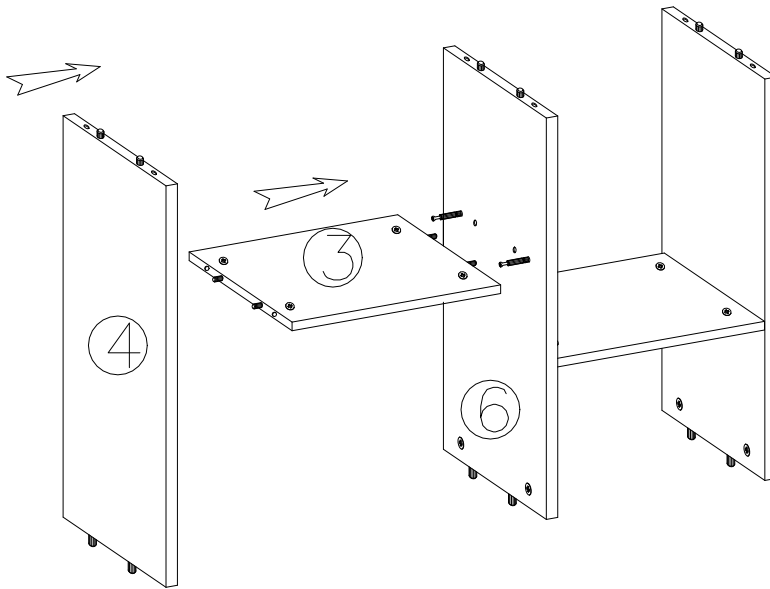
B1		20x
ø8x30		
K1		14x
4mm		
K5		14x



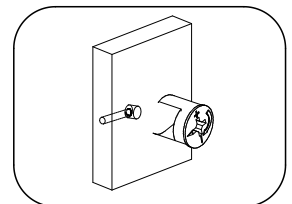
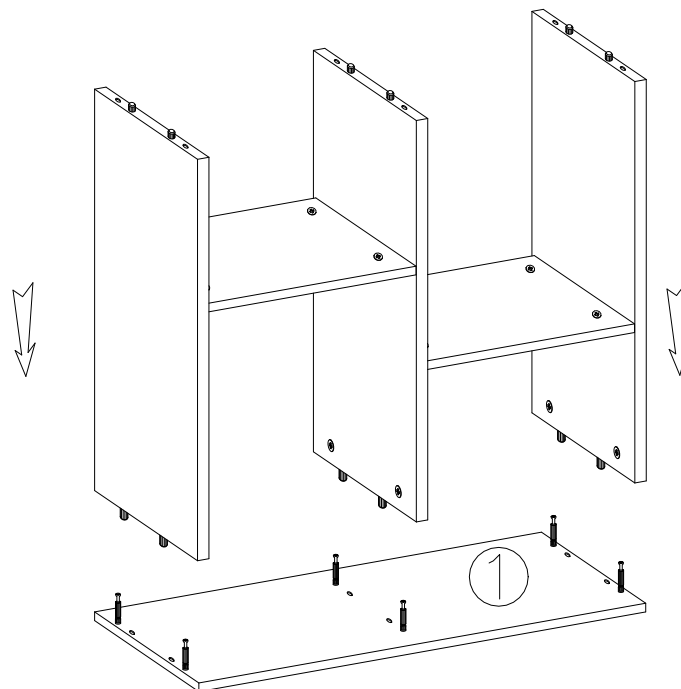
2



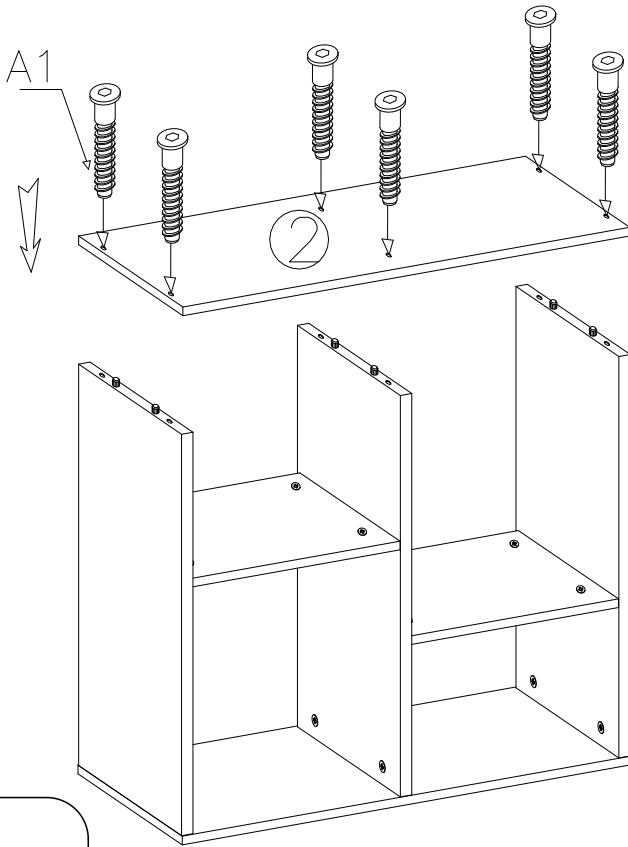
3





4




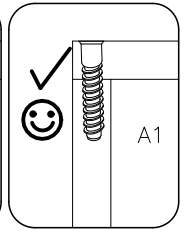
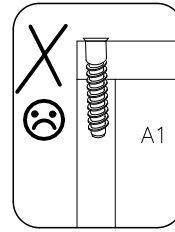
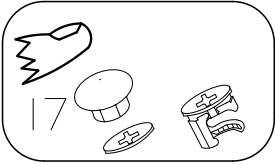
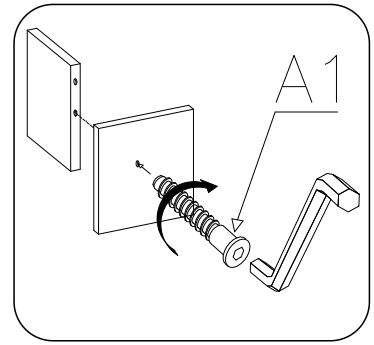
5



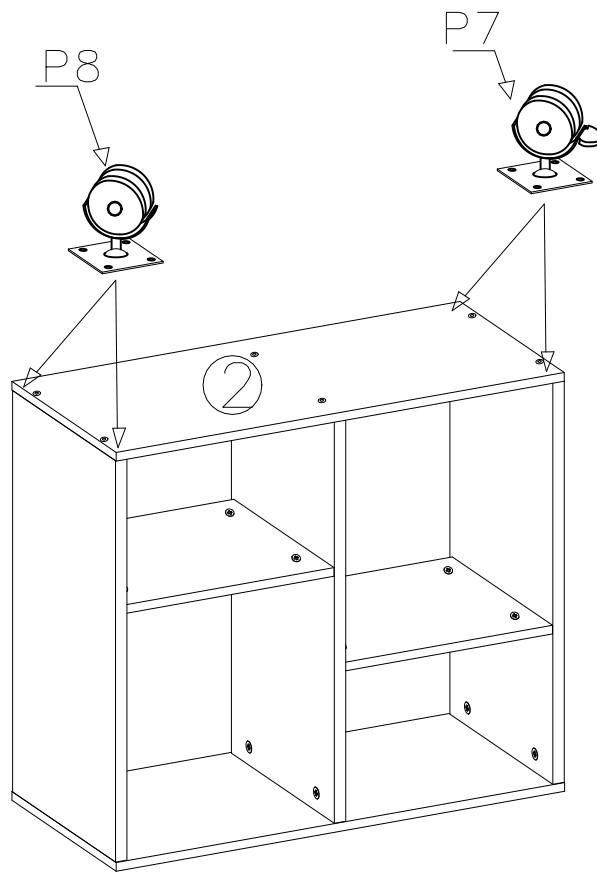
A1

 $\varnothing 7 \times 50$ 6x


W2

 4mm 1x


I7

 $\varnothing 18$ 42x




6



G4

 4x16 16x

P8

 2x

P7

 2x

