











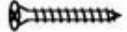



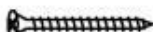


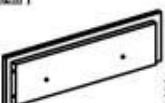









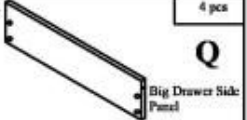















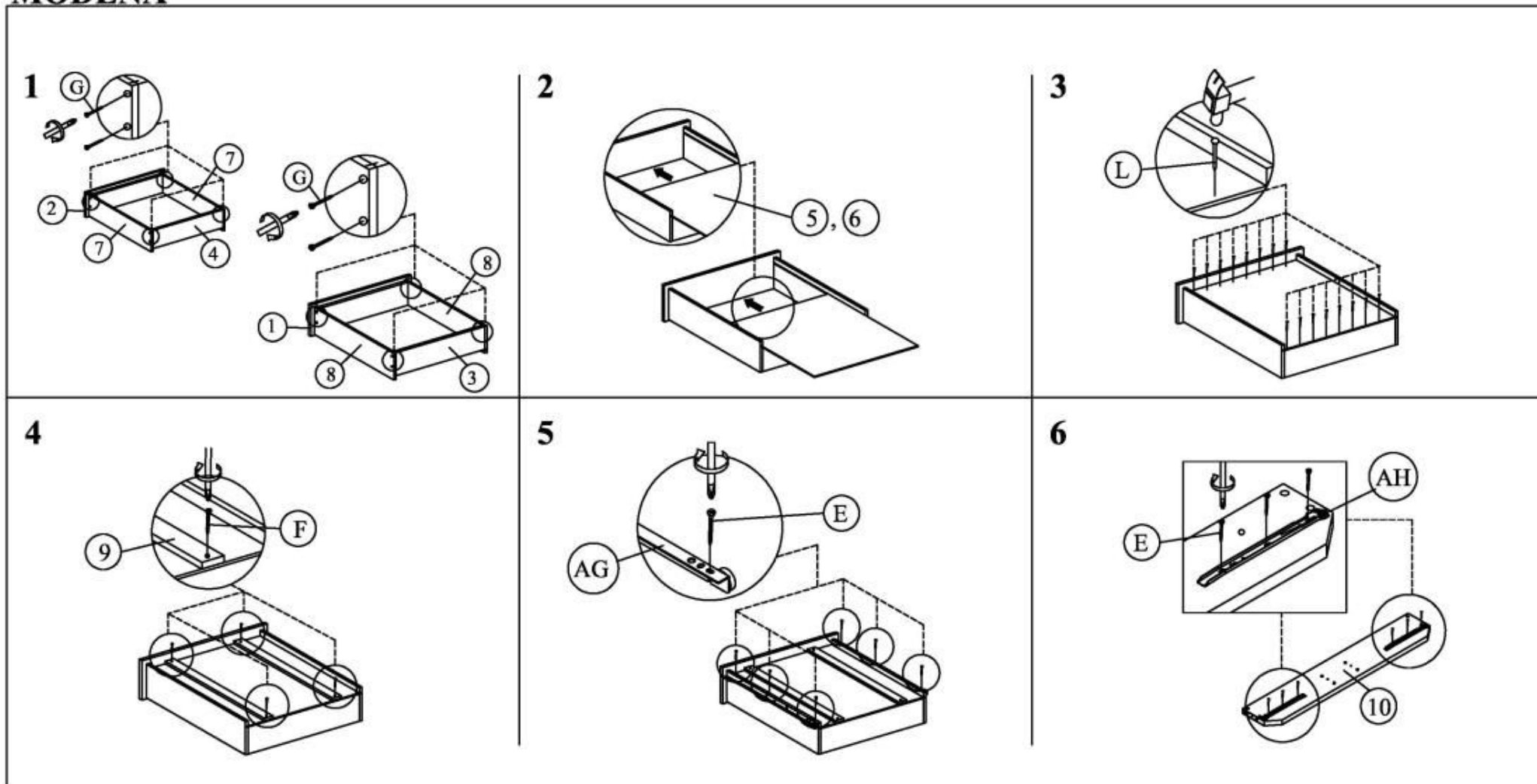


MODENA

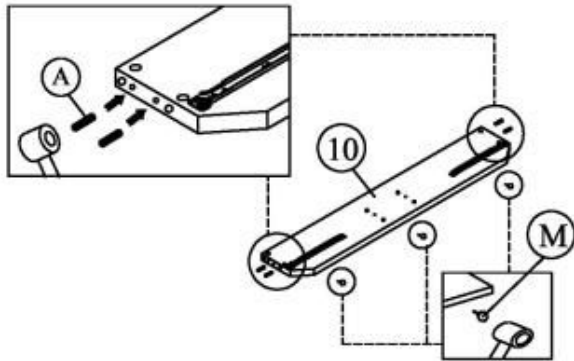
Item AA  A Headboard 1 pc	Item AB  B Footboard 1 pc	Item AC  C Side Rail 1 pc	Item AC 1  C1 Side Rail 1 pc	Item A  Z2 Plastic Dowel (8 x 25) 31 pcs	Item B  Z3 JCBC W M6 x 40 17 pcs	Item C  Z4 JCBC M6 x 40 2 pcs
Item AD  D Slat 1 pc	Item AE  E Center Rail 1 pc	Item AF  F Support leg 2 pcs		Item D  Z5 JCBC M6 x 60 2 pcs	Item E  Z6 CSK M3.5 x 16 mm 52 pcs	Item F  Z7 CSK M4 x 32 mm 26 pcs
Item AG  G Drawer Slide 500 8 pcs	Item AH  H Drawer Slide 500 8 pcs	Item AI  I 4 pcs		Item G  Z8 CSK M4 x 50mm 40 pcs	Item H  Z9 CSK M4 x 25 mm 1 pc	Item I  Z10 Mini Fix Bolt 10 pcs
Item 1  J Big Drawer Front Panel 2 pcs	Item 2  K Small Drawer Front Panel 2 pcs	Item 3  L Big Drawer Back Panel 2 pcs	Item 4  M Small Drawer Back Panel 2 pcs	Item J  Z11 Mini Fix Housing 10 pcs	Item K  Z12 Mini Fix Cap 10 pcs	Item L  Z13 Power Nail 5/8 52 pcs
Item 5  N Big Drawer Bottom Panel 2 pcs	Item 6  O Small Drawer Bottom Panel 2 pcs	Item 7  P Small Drawer Side Panel 4 pcs	Item 8  Q Big Drawer Side Panel 4 pcs	Item M  Z14 White Nail Leg 16 pcs	Item N  Z15 Allen Key 65 mm 1 pc	Item O  Z16 M6 Flat Washer 10 pcs
Item 9  R 8 pcs	Item 10  S 1 pc	Item 11  T 1 pc	Item 12  U 2 pcs	Item P  Z17 Adjuster 2 pcs	Item Q  Z18 JCBC M6 x 30 8 pcs	
Item 13  V 2 pcs	Item 14  W 1 pc	Item 15  X 1 pc	Item 16  M 1 pc			
Item 17  Z 1 pc	Item 18  Z1 1 pc					

MODENA

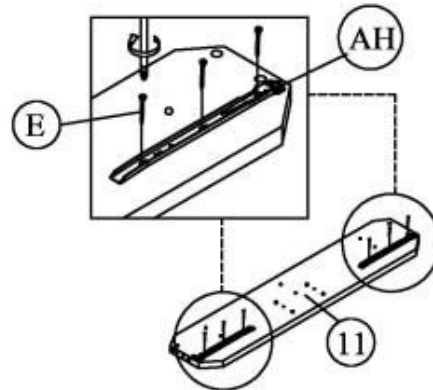


MODENA

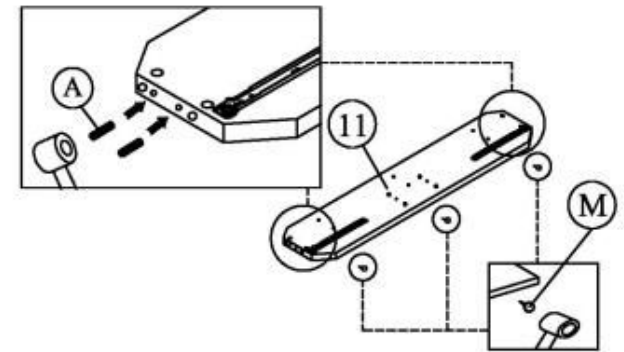
7



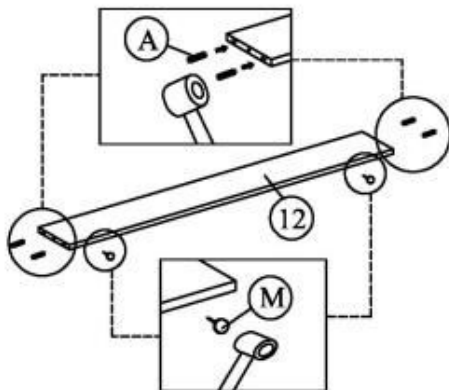
8



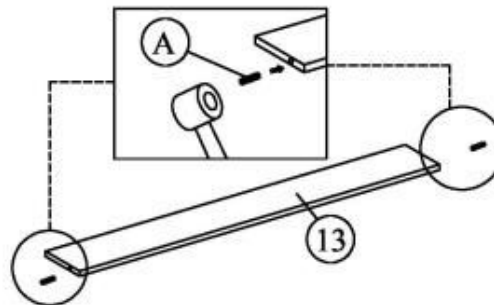
9



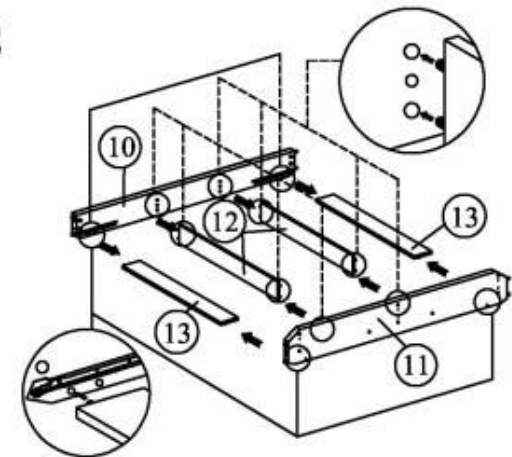
10



11

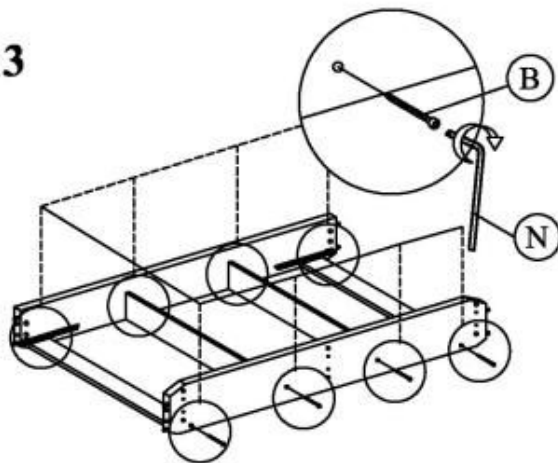


12

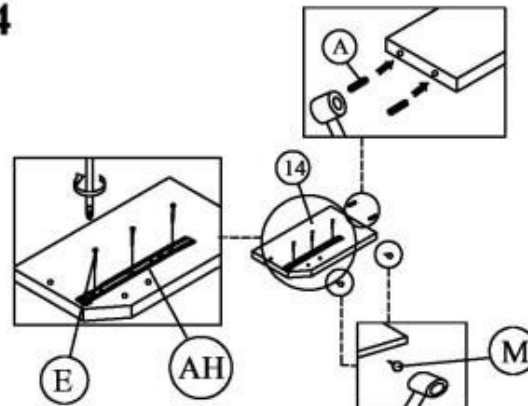


MODENA

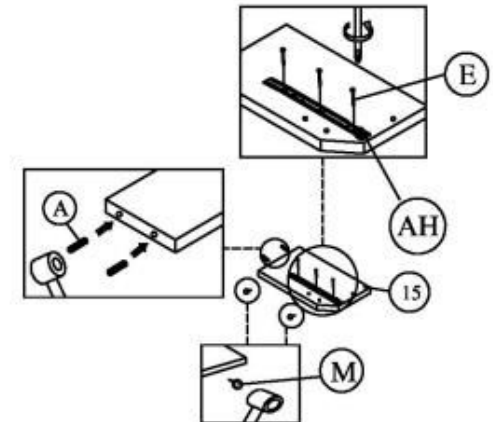
13



14

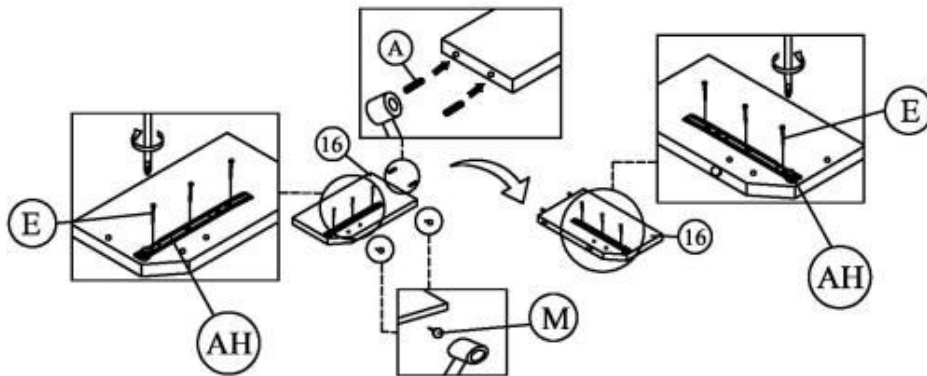


15

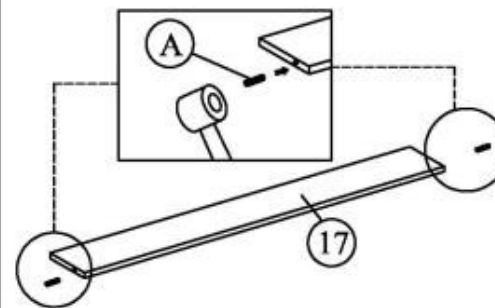


16

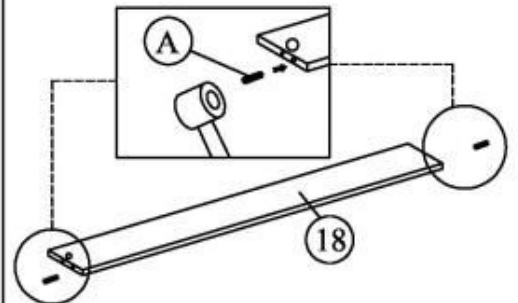
Attach (AH) to (16) and tighten it with (D), the flip (AH) to the other side and repeat the same step.



17

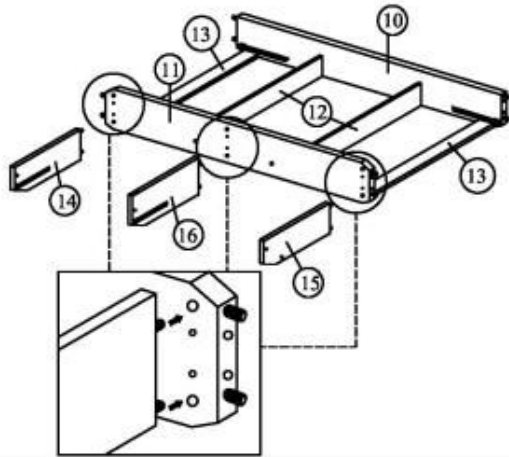


18

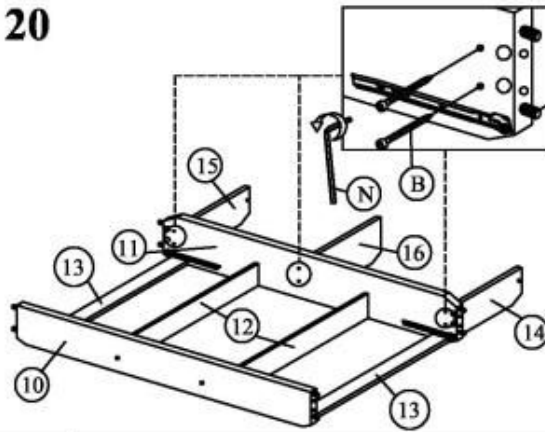


MODENA

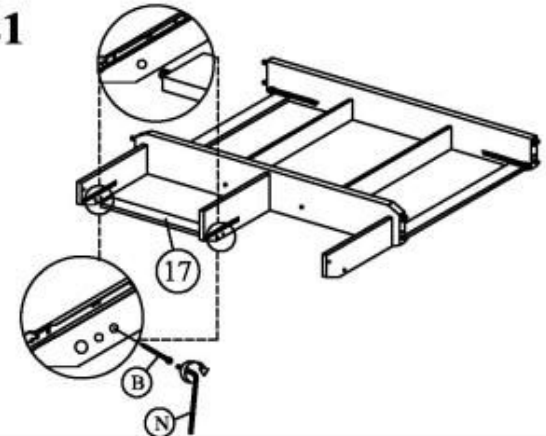
19



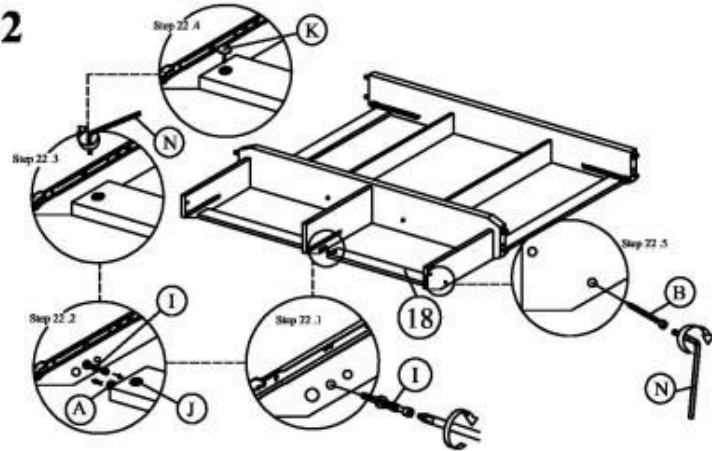
20



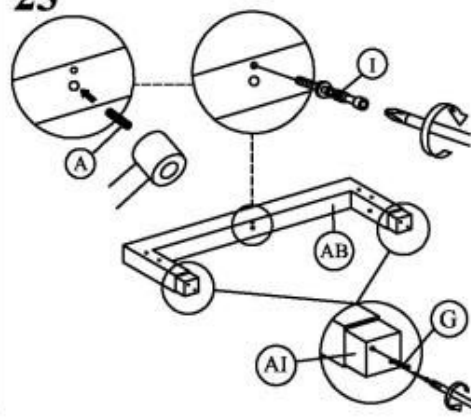
21



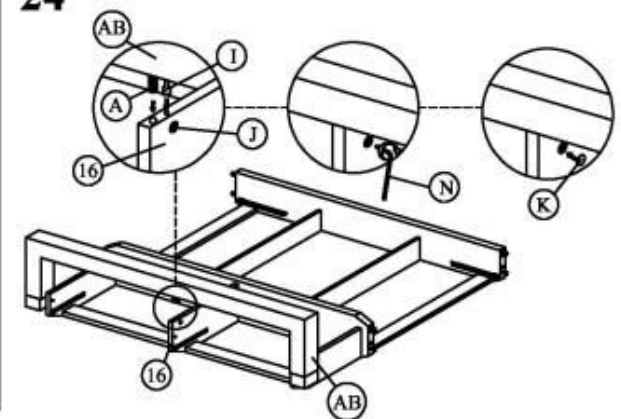
22



23

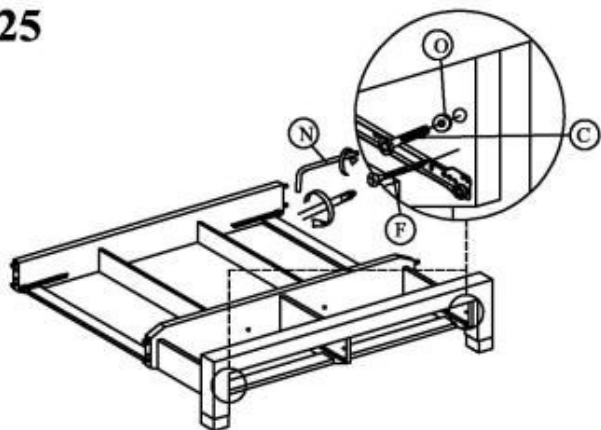


24

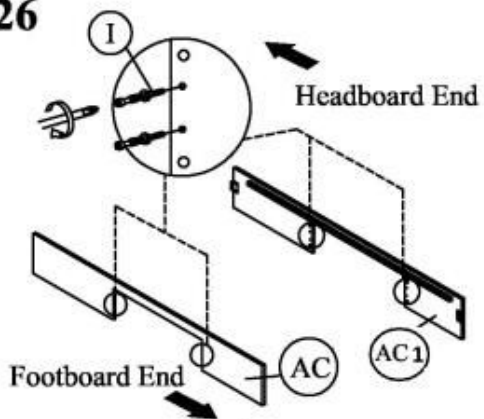


MODENA

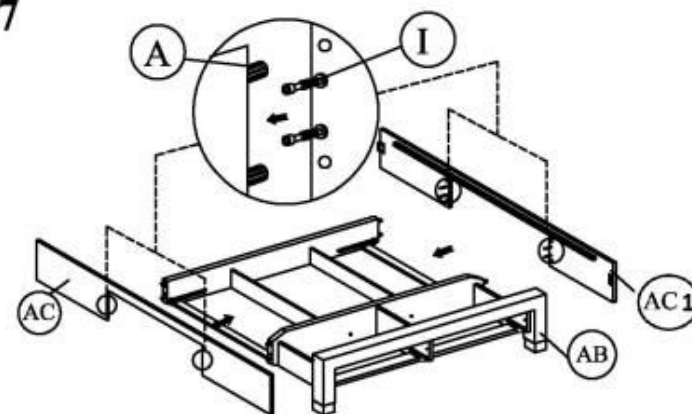
25



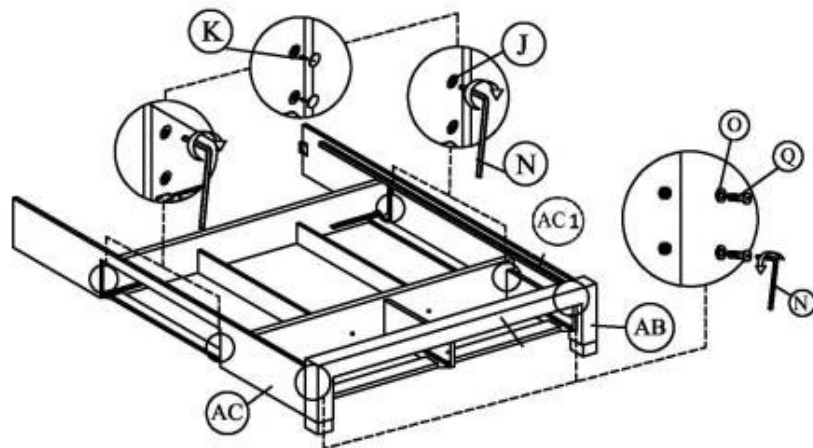
26



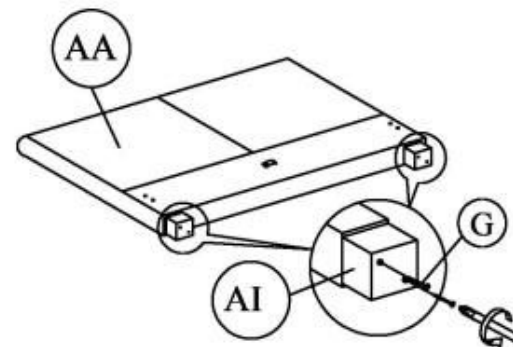
27



28

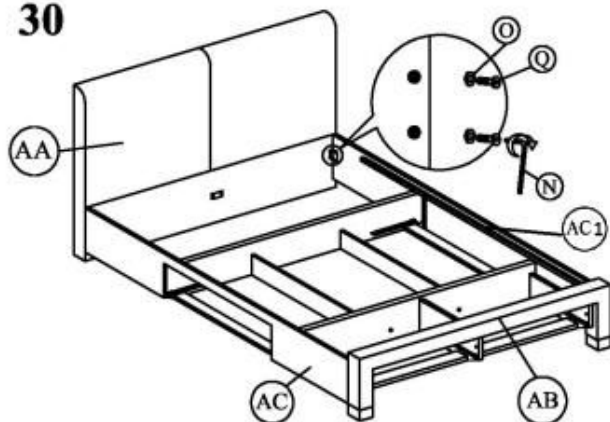


29

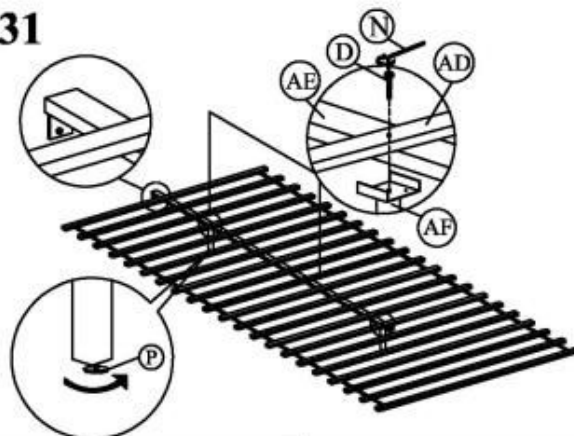


MODENA

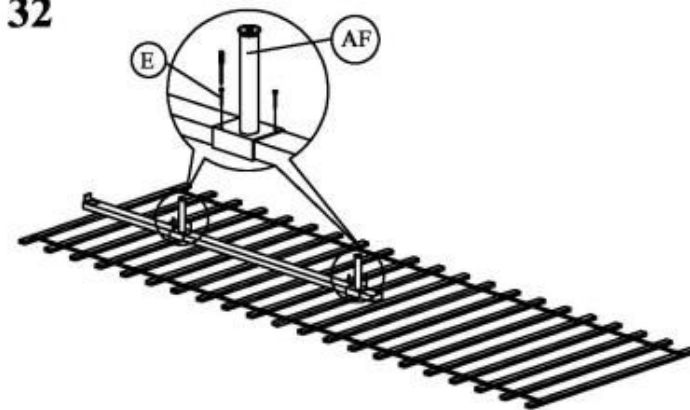
30



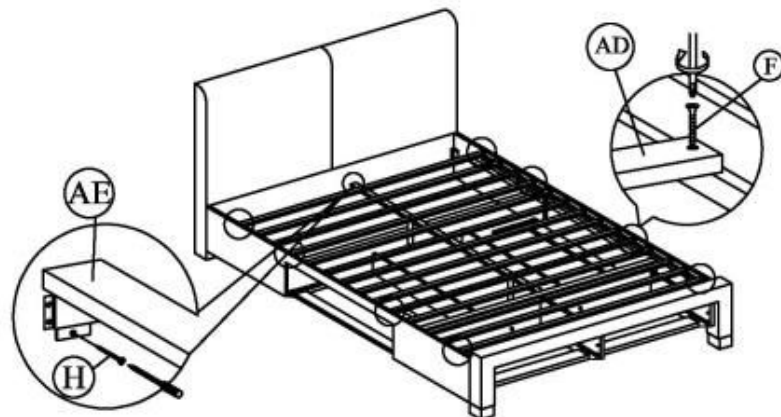
31



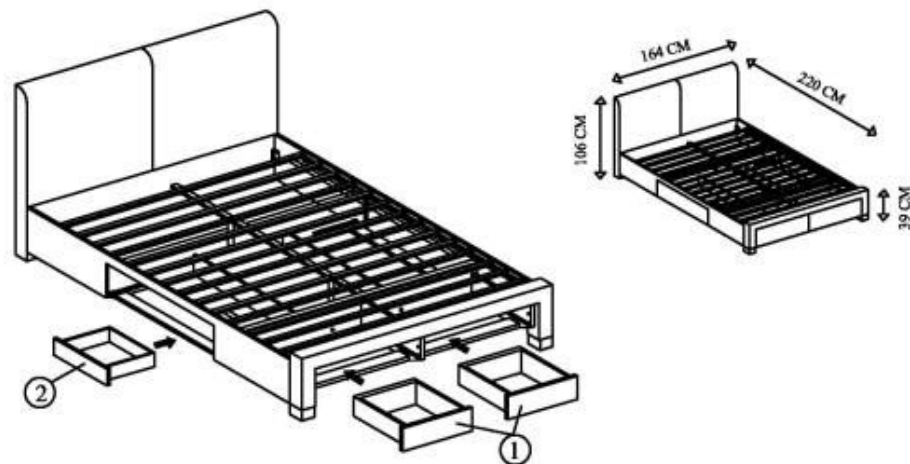
32



33



34



HALMAR SP.z o. o.
 ul. Centralnego Okręgu Przemysłowego 2, 37-450 Stalowa Wola, POLSKA / POLAND
 tel. +48 15 843 28 10, fax: +48 15 842 19 57, e-mail: office@halmar.com.pl