



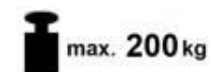
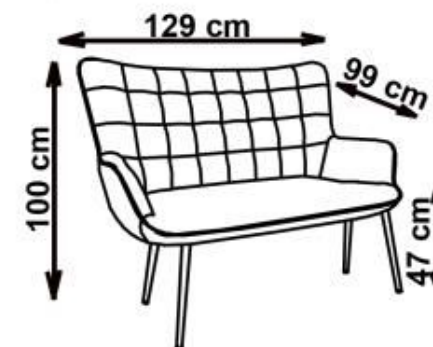
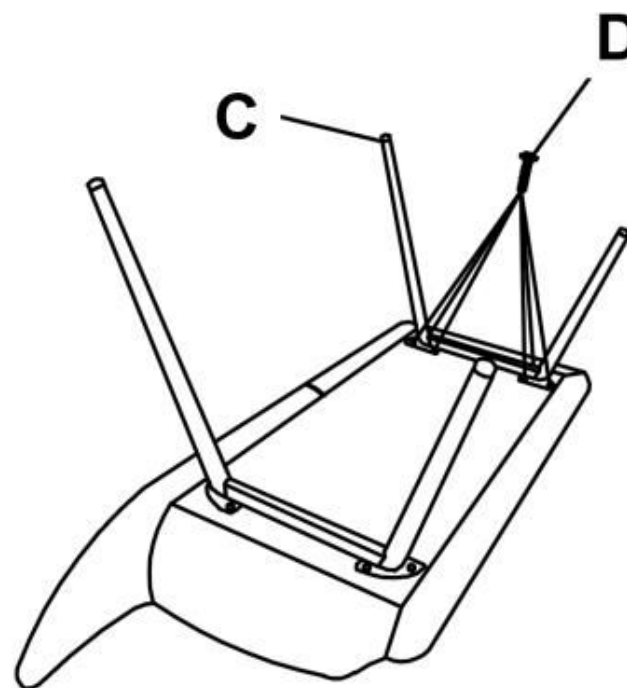
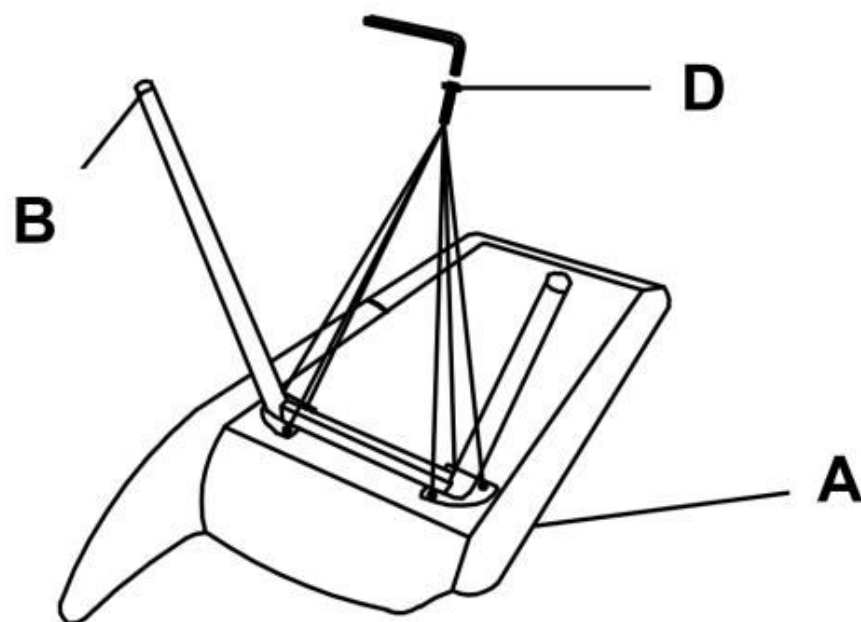


# CASTEL XL & CASTEL 2 XL

A		1
B		1
C		1
D	 M6*20MM	12



v.1