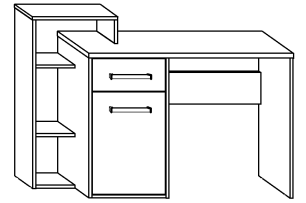




# RIO-03 BIURKO L

→ 127↑89↘55

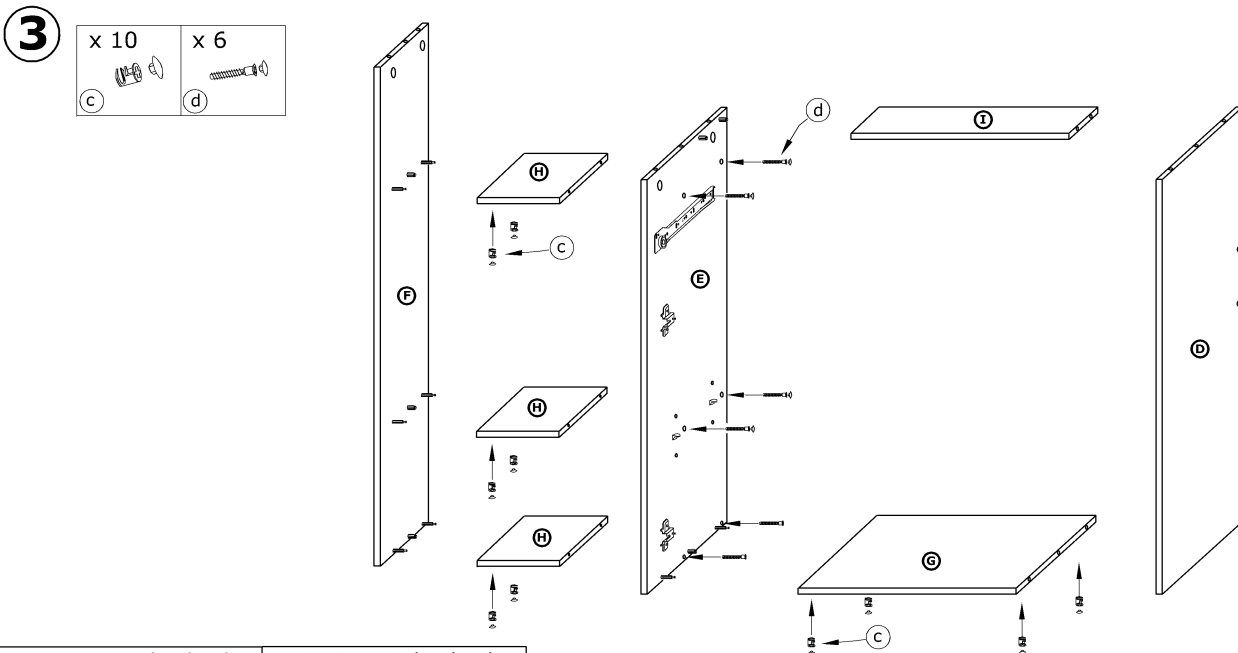
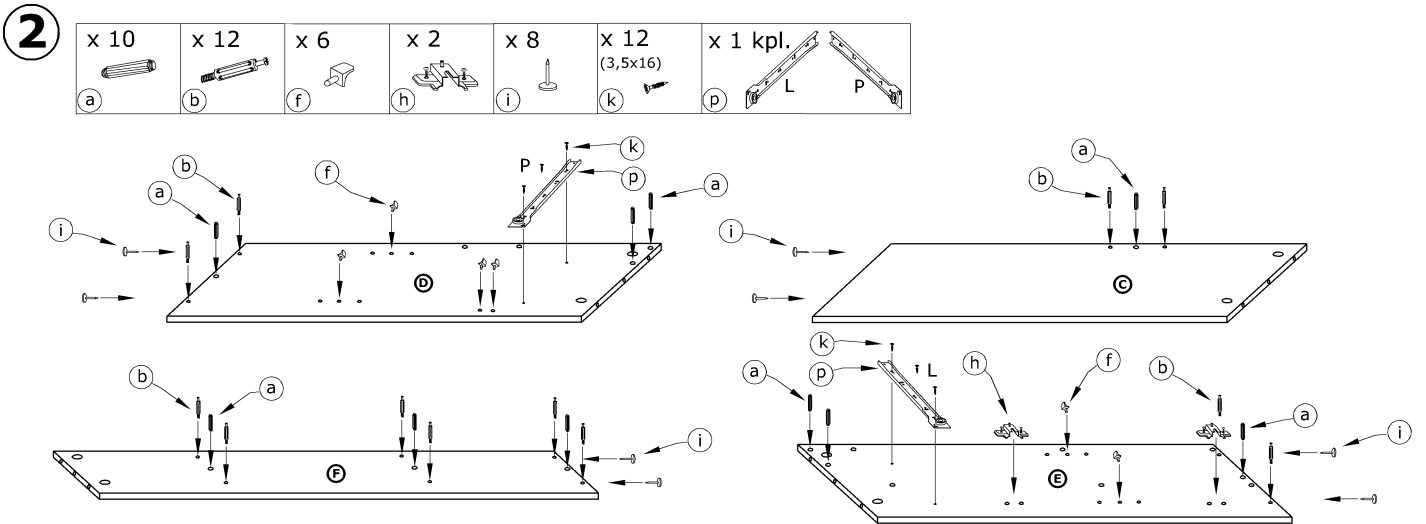
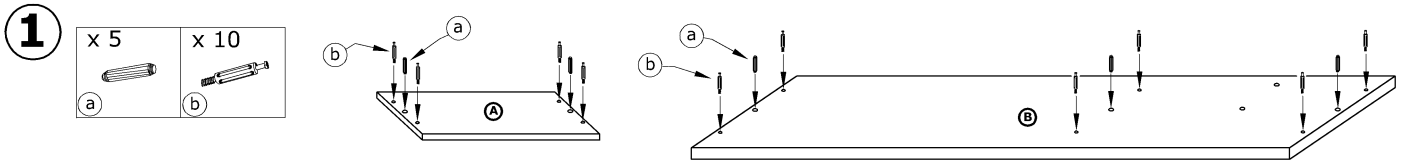


|                            |               |               |               |                           |                          |              |               |              |
|----------------------------|---------------|---------------|---------------|---------------------------|--------------------------|--------------|---------------|--------------|
| x 15<br><br>a              | x 22<br><br>b | x 22<br><br>c | x 12<br><br>d | x 2<br><br>e              | x 6<br><br>f             |              |               |              |
| x 2<br><br>g               | x 2<br><br>h  | x 8<br><br>i  | x 2<br><br>j  | x 16<br>(3,5x16)<br><br>k | x 4<br>(3,5x30)<br><br>l | x 2<br><br>m | x 35<br><br>n | x 1<br><br>o |
| x 1 kpl. (400 mm)<br><br>p |               |               |               |                           |                          | <br><br>     |               |              |

1 - FAZY MONTAŻU

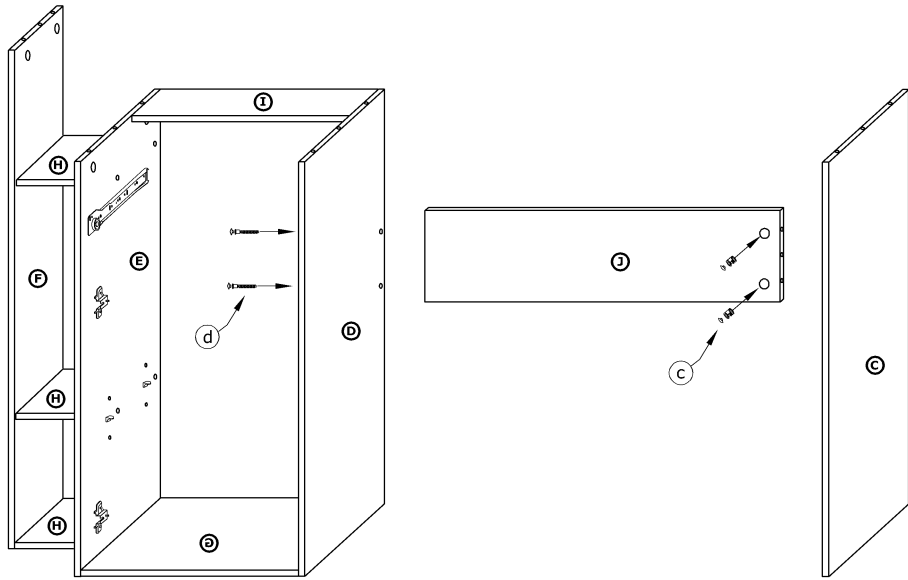
A - OZNACZENIE ELEMENTÓW

a - OZNACZENIE AKCESORIÓW



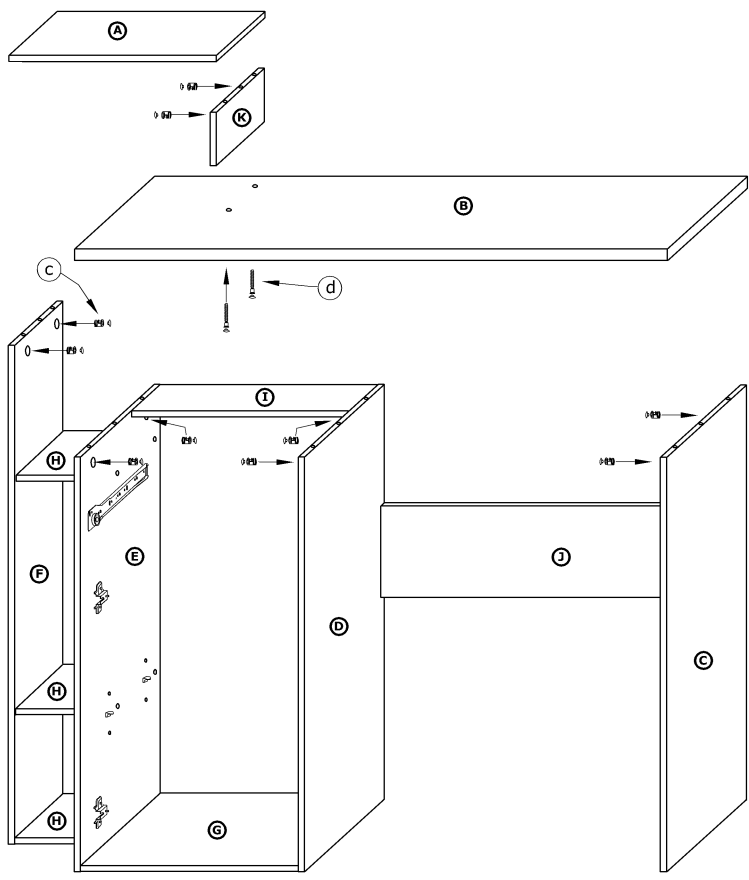
4

- x 2
- (c)
- x 2
- (d)



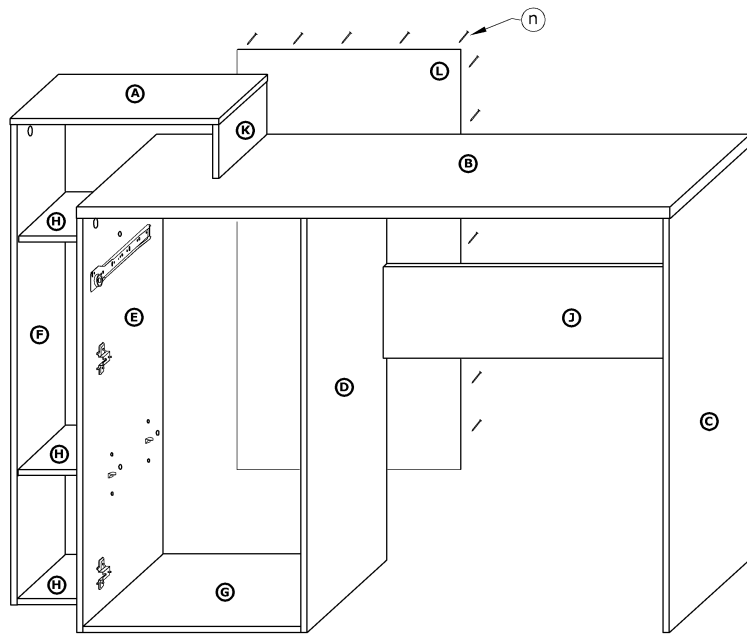
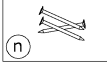
5

- x 10
- (c)
- x 2
- (e)

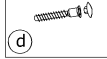


**6**

x 20

**7**

x 4



x 2



x 6

(3,5x16)

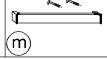


x 2

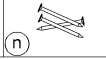
(3,5x30)



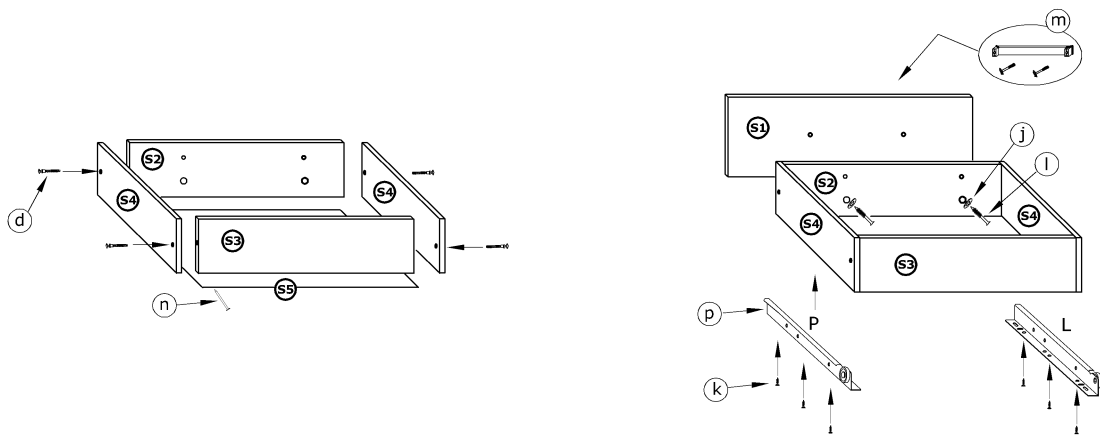
x 1



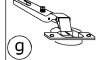
x 15



x 1 kpl.

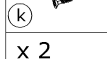
**8**

x 2



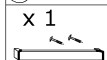
x 4

(3,5x16)

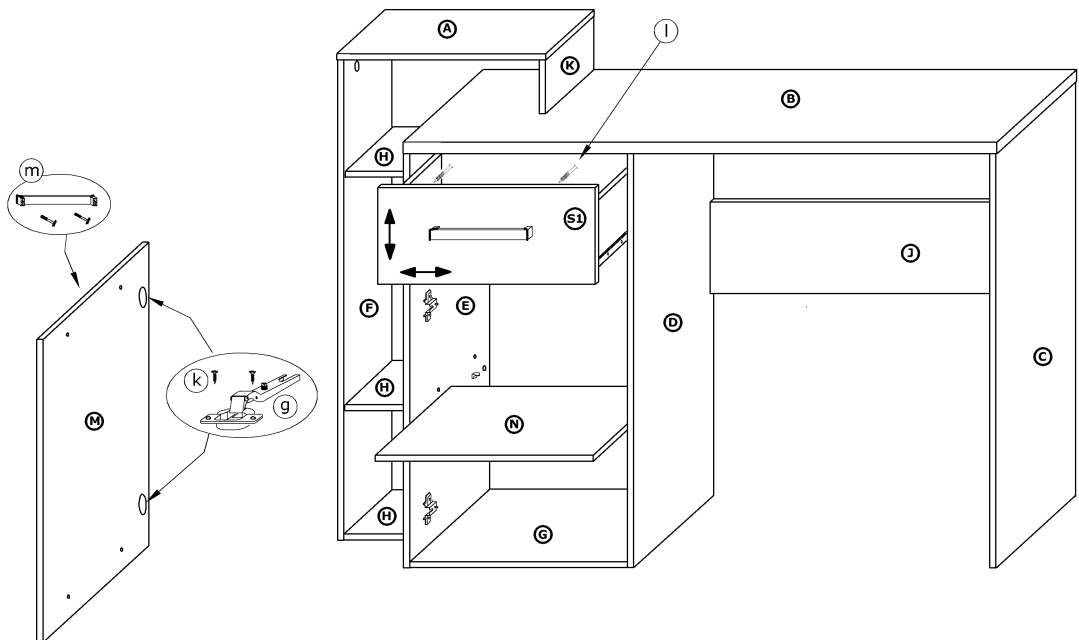
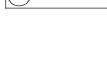


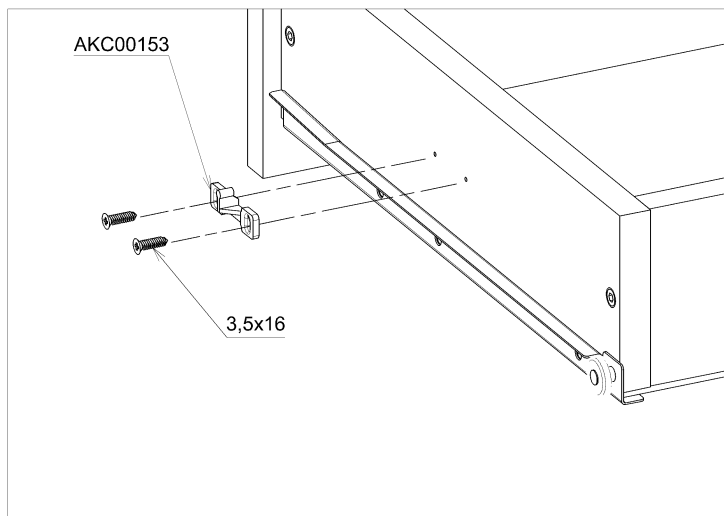
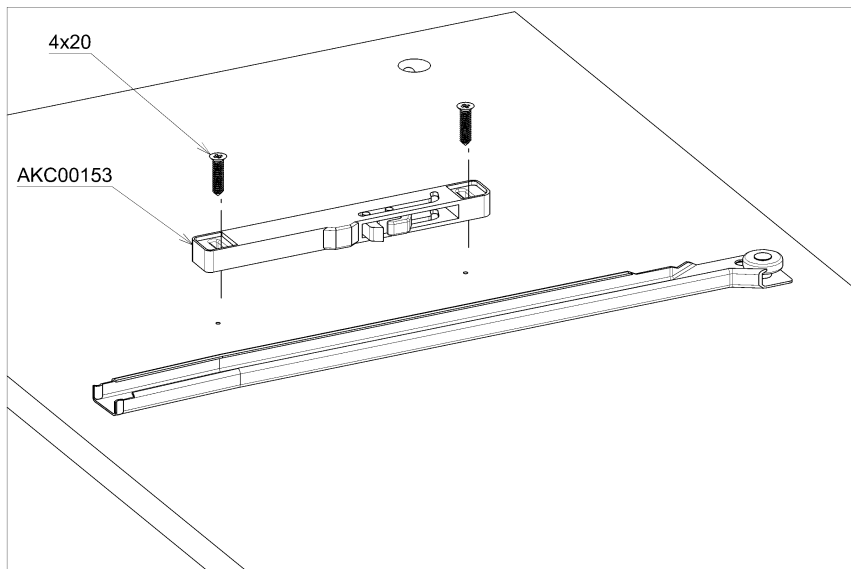
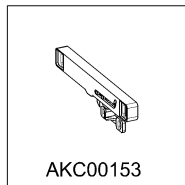
x 2

(3,5x30)



x 1

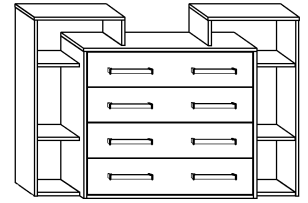






# RIO-07 KOMODA 4S

→ 127 + 86 \ 41

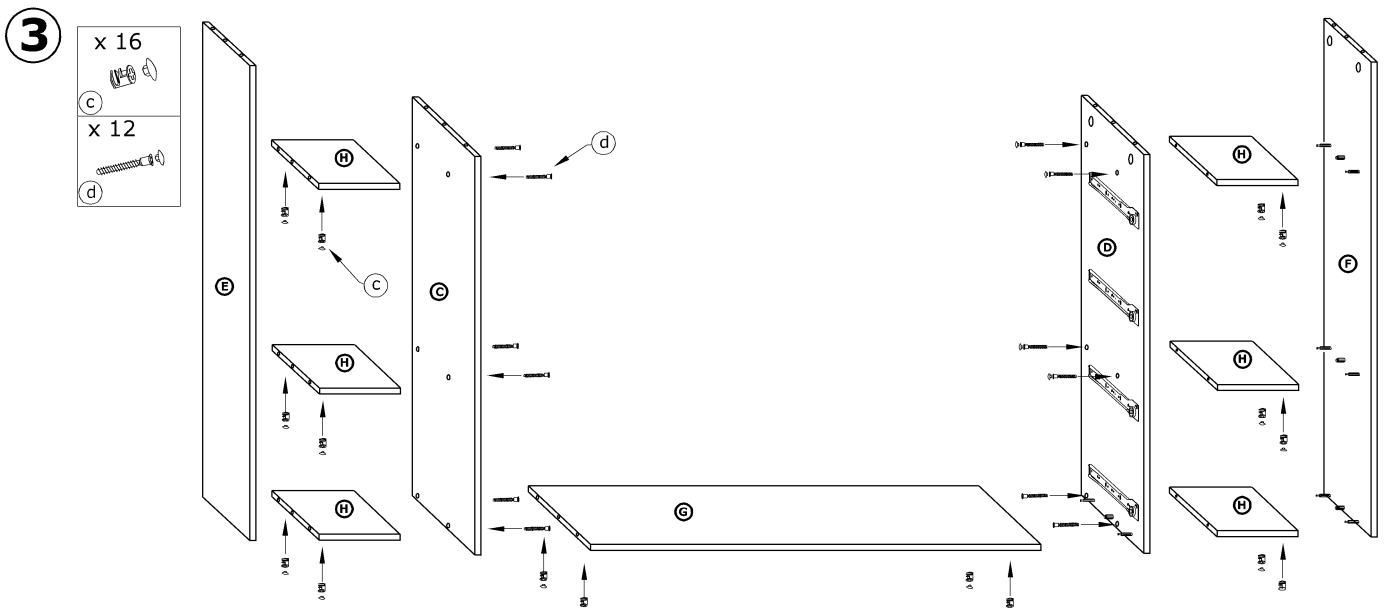
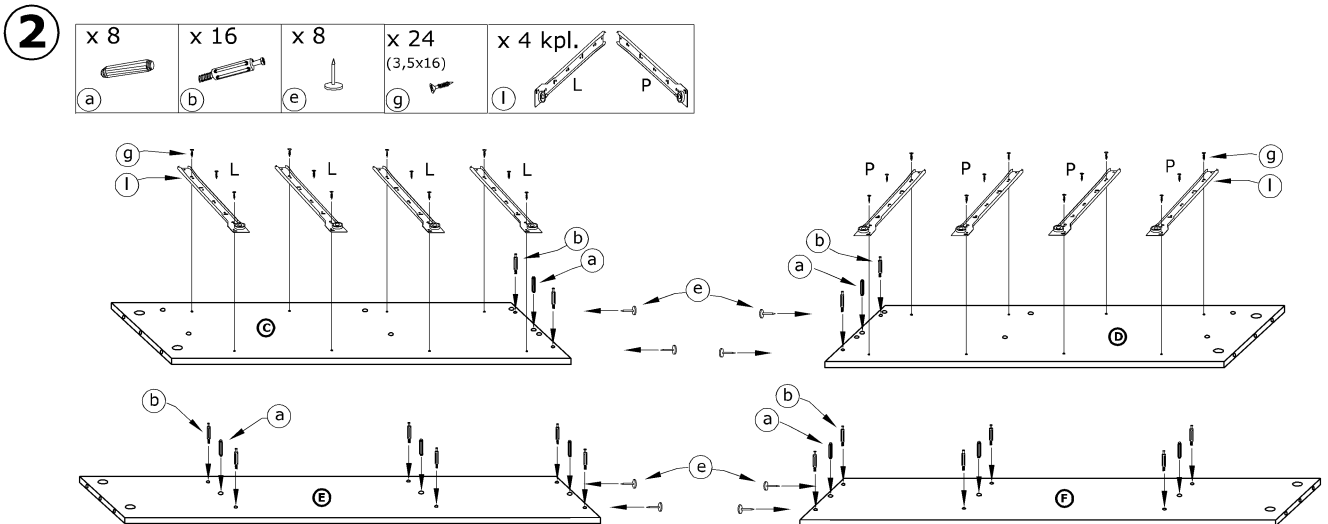
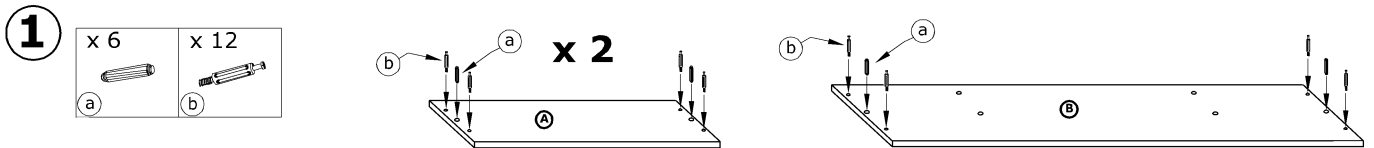


|                      |                       |          |          |         |                |
|----------------------|-----------------------|----------|----------|---------|----------------|
| x 14<br>             | x 28<br>              | x 28<br> | x 32<br> | x 8<br> | x 8<br>        |
| x 48<br>(3,5x16)<br> | x 20<br>(3,5x30)<br>  | x 80<br> |          | x 1<br> |                |
| x 8<br>              | x 4 kpl. (350 mm)<br> |          |          |         | <br>60 min<br> |




**1** - FAZY MONTAŻU

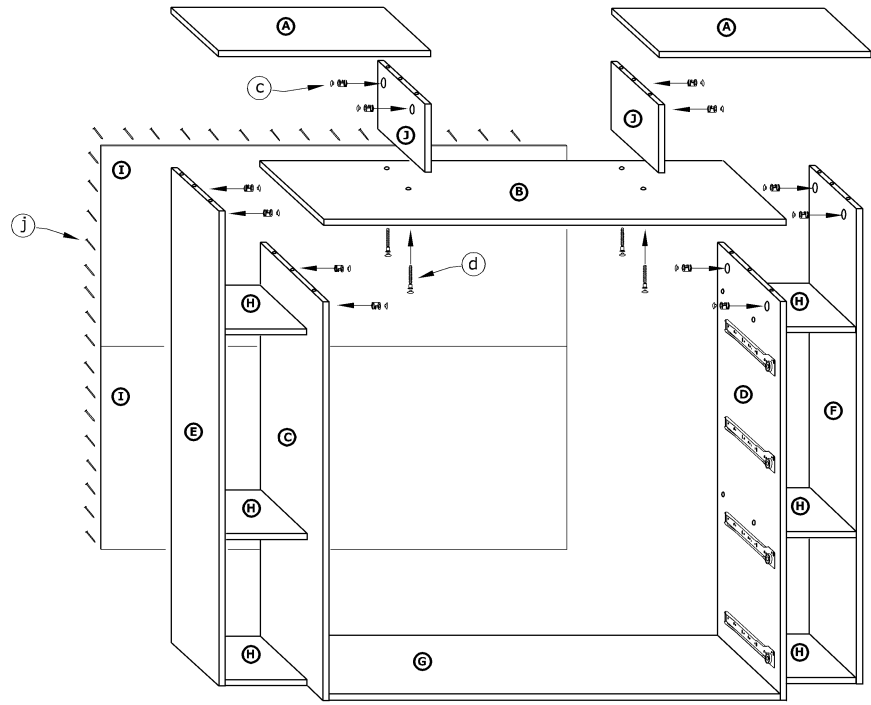
**A** - OZNACZENIE ELEMENTÓW

**a** - OZNACZENIE AKCESORIÓW


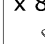
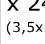
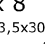
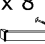

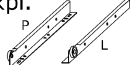


4

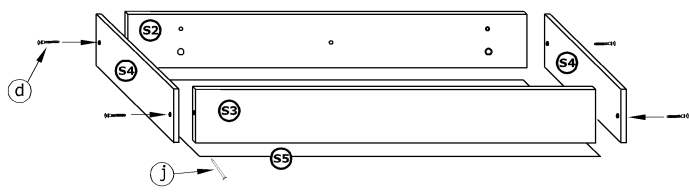
- x 12 
- x 4 
- x 20 



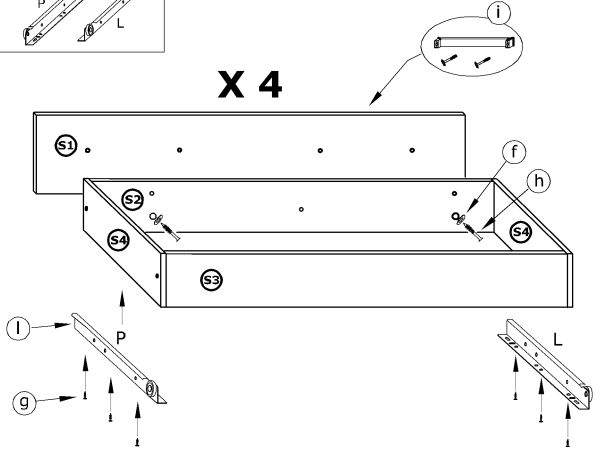
5

- x 16 
- x 8 
- x 24 (3,5x16) 
- x 8 (3,5x30) 
- x 8 
- x 60 
- x 4 kpl. 

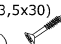
X 4

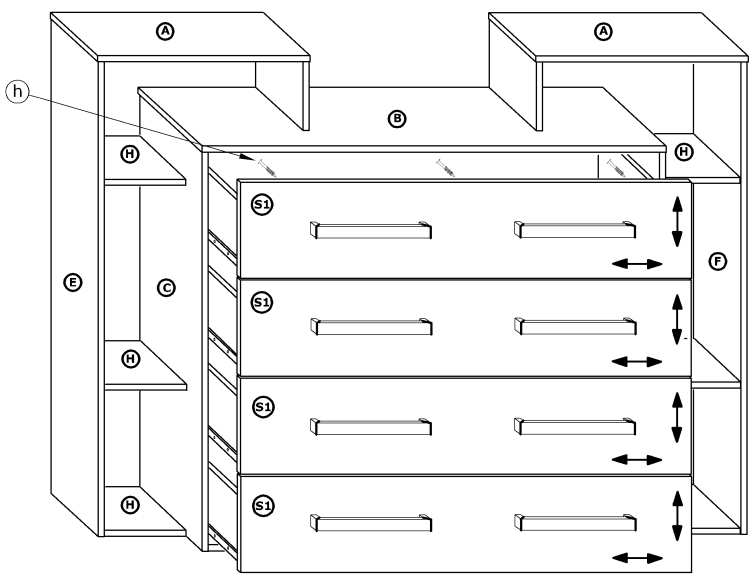


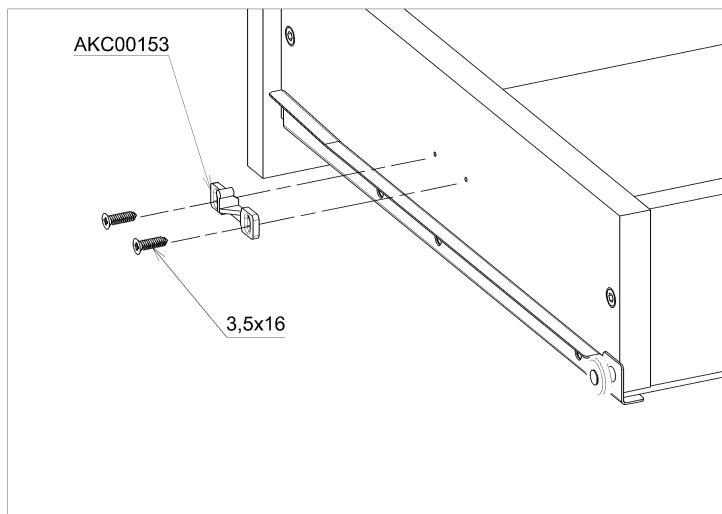
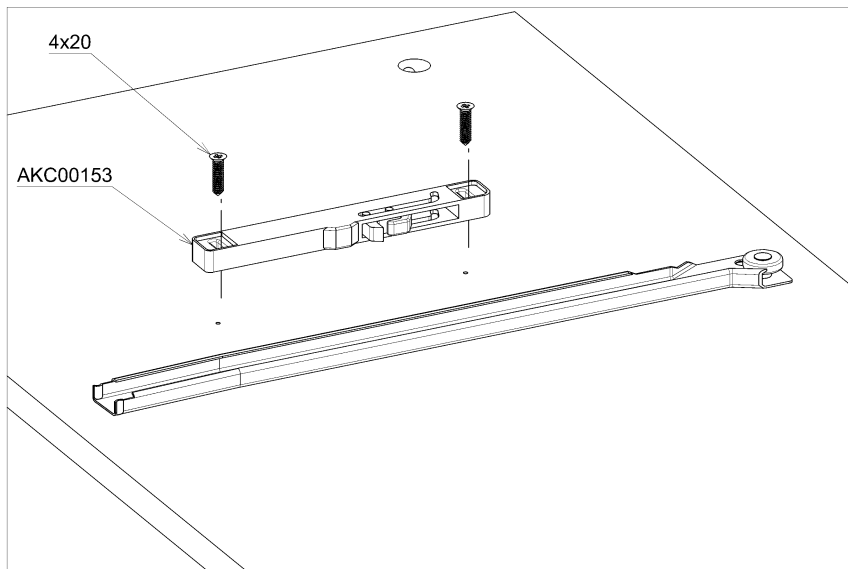
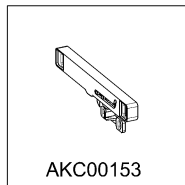
X 4



6

- x 12 (3,5x30) 

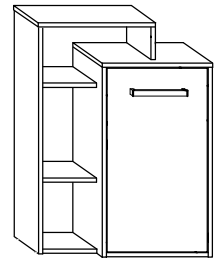






# RIO-08 KOMODA L1D

→ 64 186 41

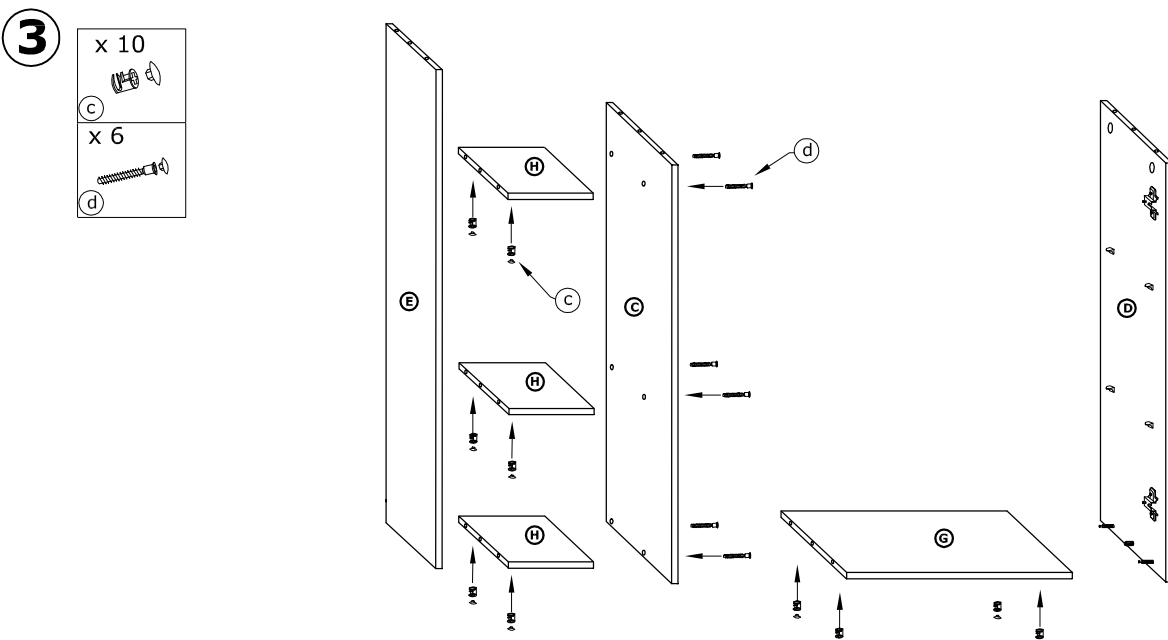
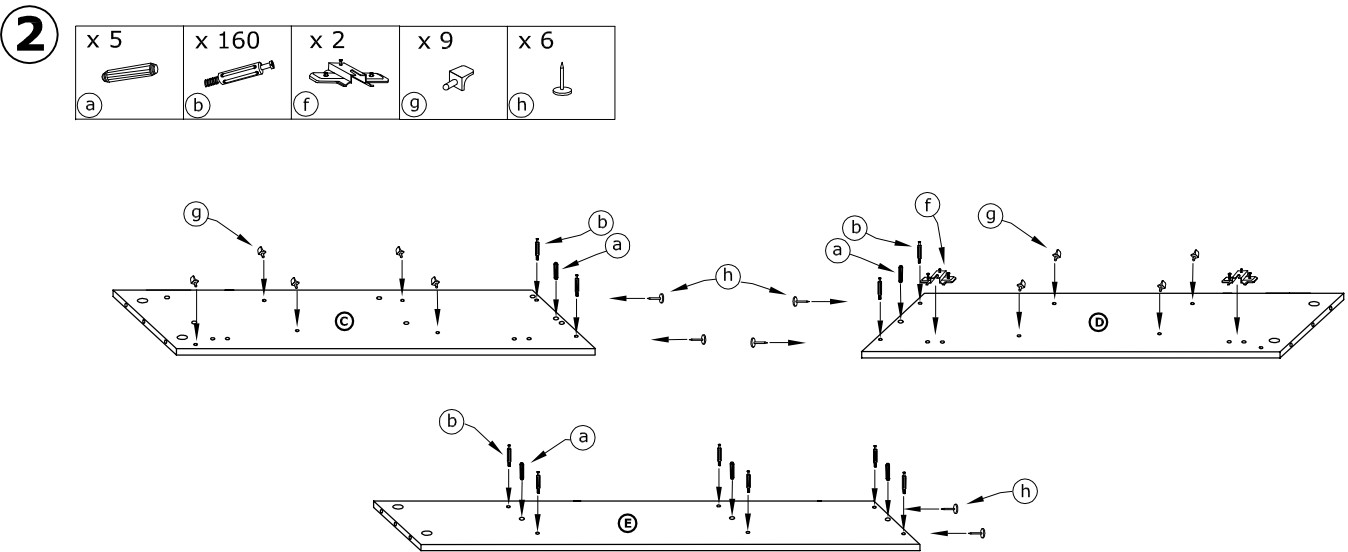
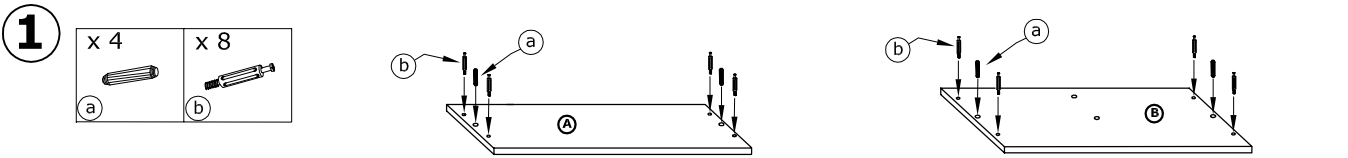


|              |               |                          |               |              |              |  |
|--------------|---------------|--------------------------|---------------|--------------|--------------|--|
| x 9<br><br>a | x 18<br><br>b | x 18<br><br>c            | x 8<br><br>d  | x 2<br><br>e | x 2<br><br>f |  |
| x 9<br><br>g | x 6<br><br>h  | x 4<br>(3,5x16)<br><br>i | x 30<br><br>k |              | x 1<br><br>l |  |
| x 1<br><br>j |               |                          |               |              |              |  |

**1** - FAZY MONTAŻU





**A** - OZNACZENIE ELEMENTÓW

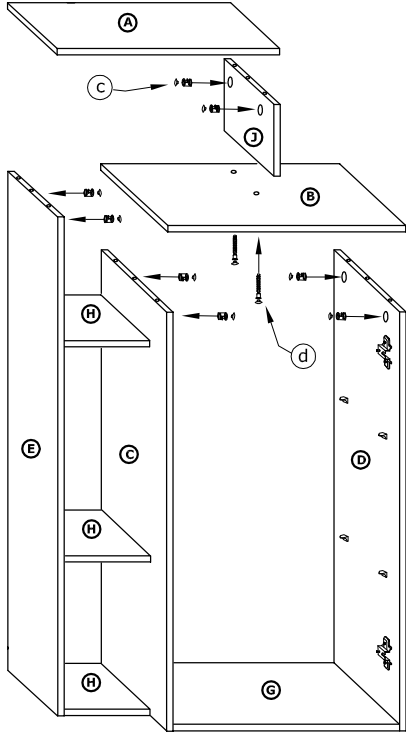
**a** - OZNACZENIE AKCESORIÓW







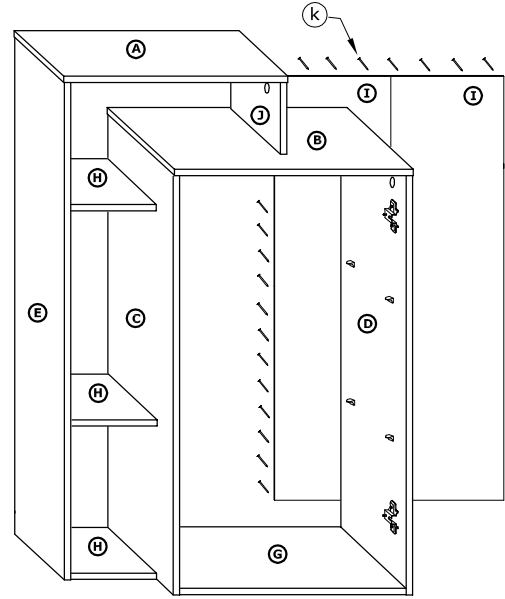
4

- x 8 
- (c) 
- x 2 
- (d) 



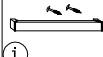


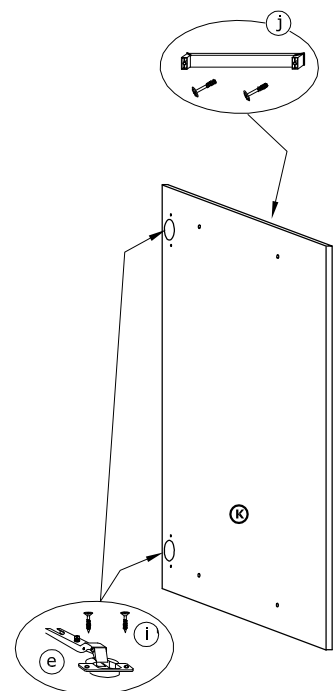
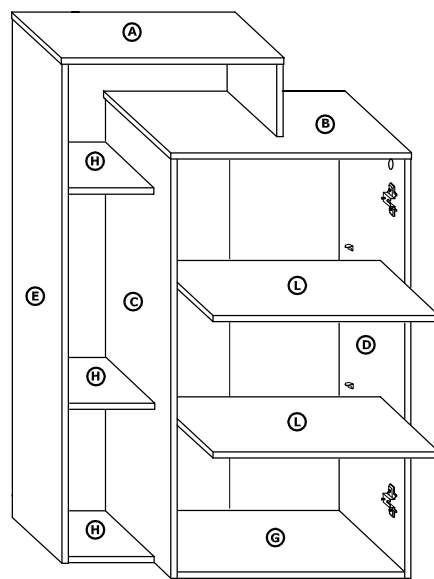
5

- x 30 
- (k) 



6

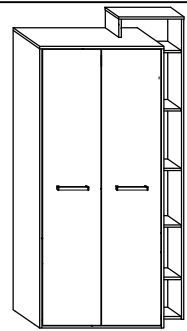
- x 2  (e)
- x 4 (3,5x16)  (i)
- x 1  (j)





# RIO-24 SZAFKA P2D

→ 105 × 203 × 59



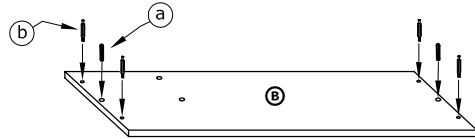
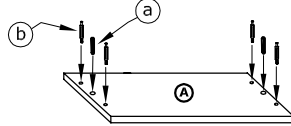
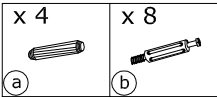
|               |                       |                           |               |               |              |
|---------------|-----------------------|---------------------------|---------------|---------------|--------------|
| x 14<br><br>a | x 28<br><br>b         | x 28<br><br>c             | x 14<br><br>d | x 6<br><br>e  | x 6<br><br>f |
| x 6<br><br>g  | x 6<br><br>h          | x 20<br>(3,5x16)<br><br>i | x 2<br><br>j  | x 90<br><br>l | x 1<br><br>m |
| x 2<br><br>k  | x 1 (794 mm)<br><br>n |                           |               |               | <br>40 min   |

**1** - FAZY MONTAŻU

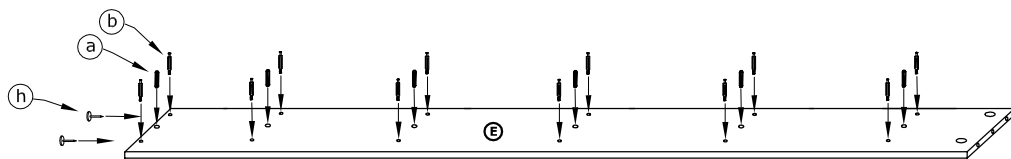
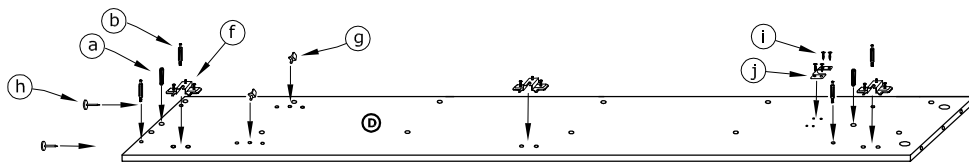
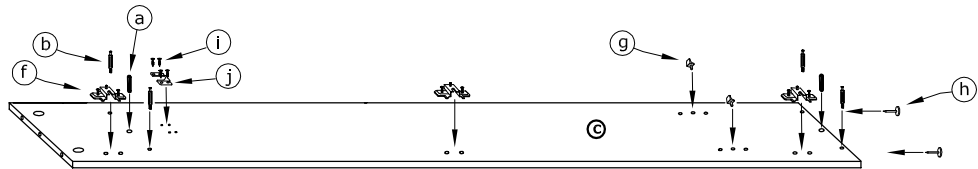
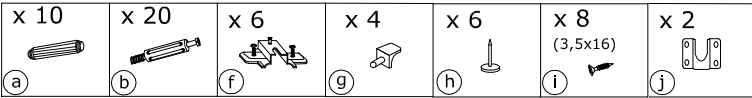
**A** - OZNACZENIE ELEMENTÓW

**a** - OZNACZENIE AKCESORIÓW




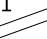
**1**

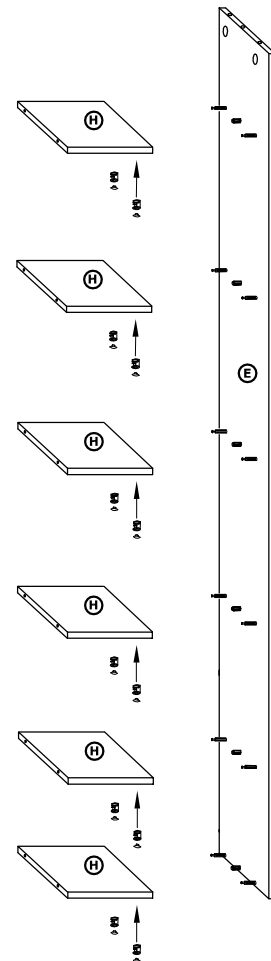
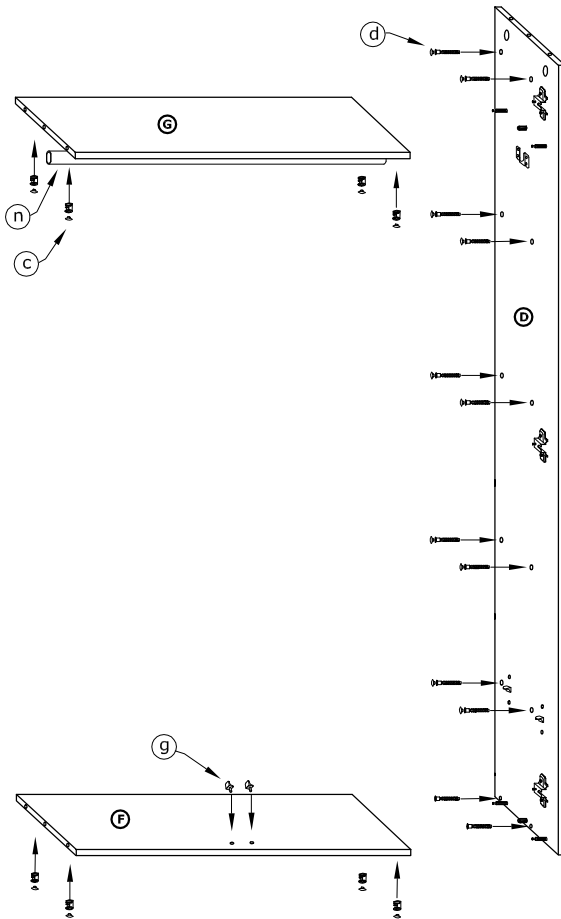


**2**





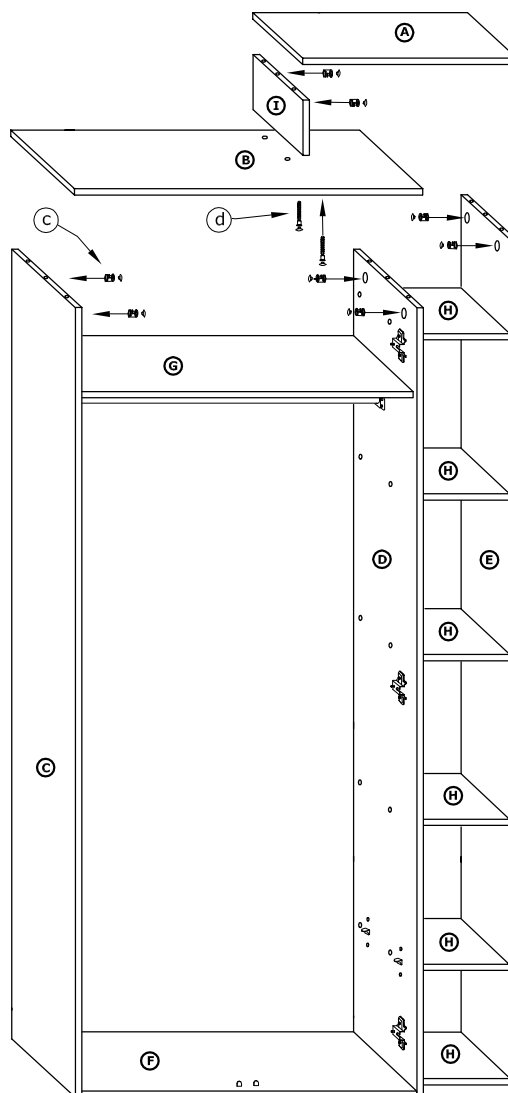
3

- x 20 
- x 12 
- x 2 
- x 1 

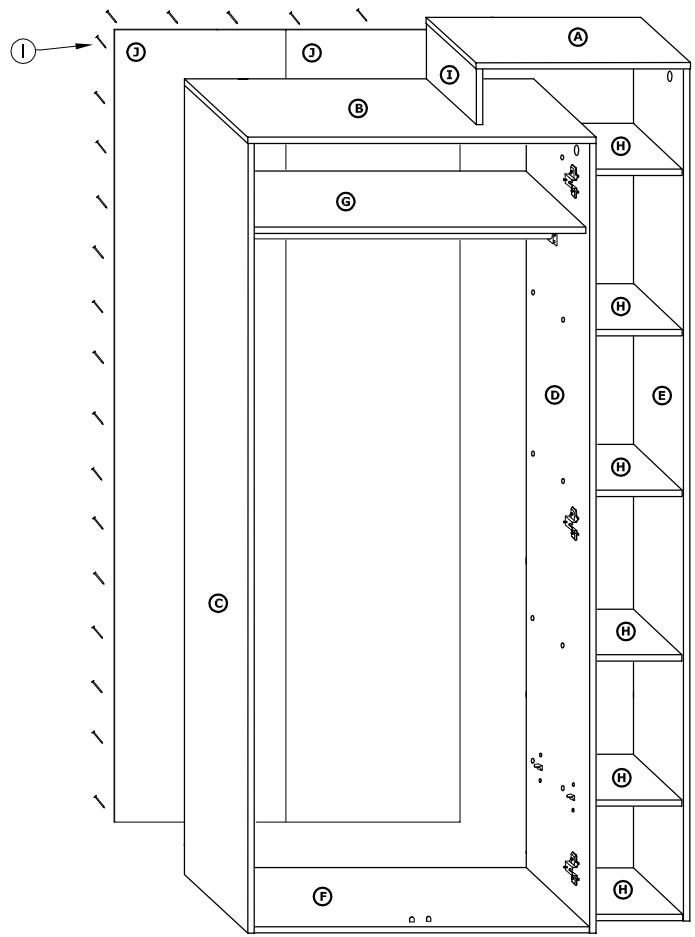
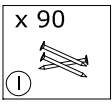


4

- x 8 
- x 2 



5



6

