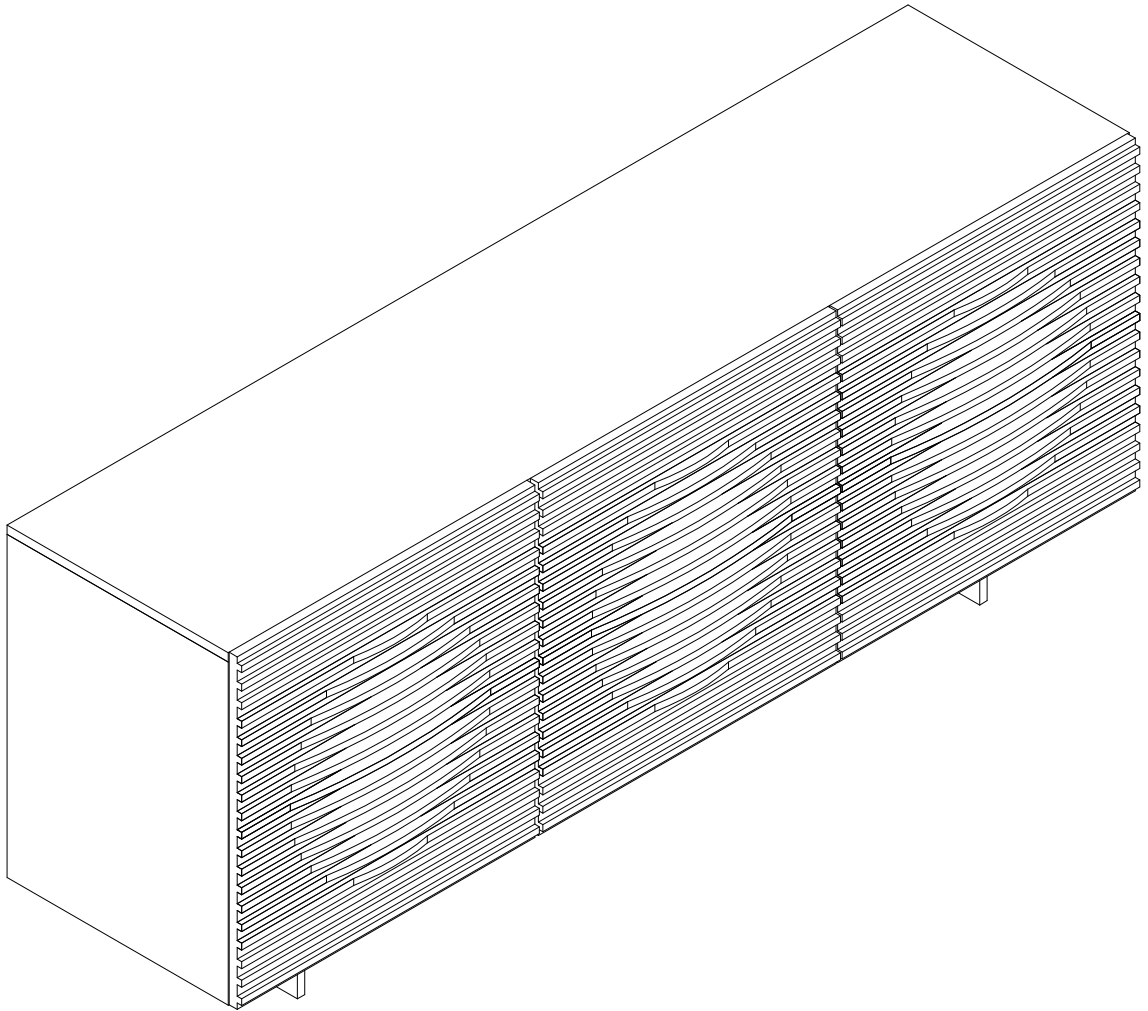
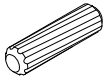
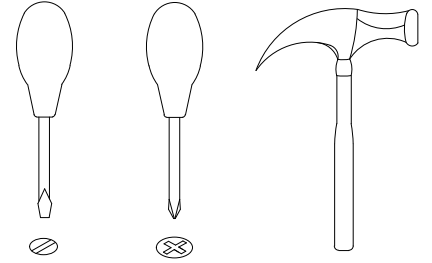
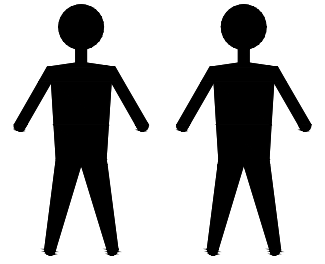


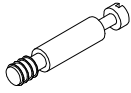
CPM5009-180



CPM5009-180



A x20
Spec: $\phi 8 \times 30$



B x16
Spec: $\phi 7 \times L30$



C x16
Spec: $\phi 15 \times H12$



D x12
Spec: $\phi 5 \times L19$



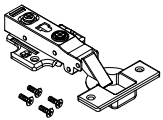
E x26
Spec: $3.8 \times L16$



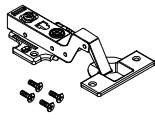
F x12
Spec: $\phi 20 \times H12$



G x1
Spec: 10g



H x6
Spec:



I x3
Spec:



K x5
Spec: $\phi 3.5 \times 50$



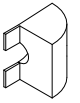
L x16
Spec:



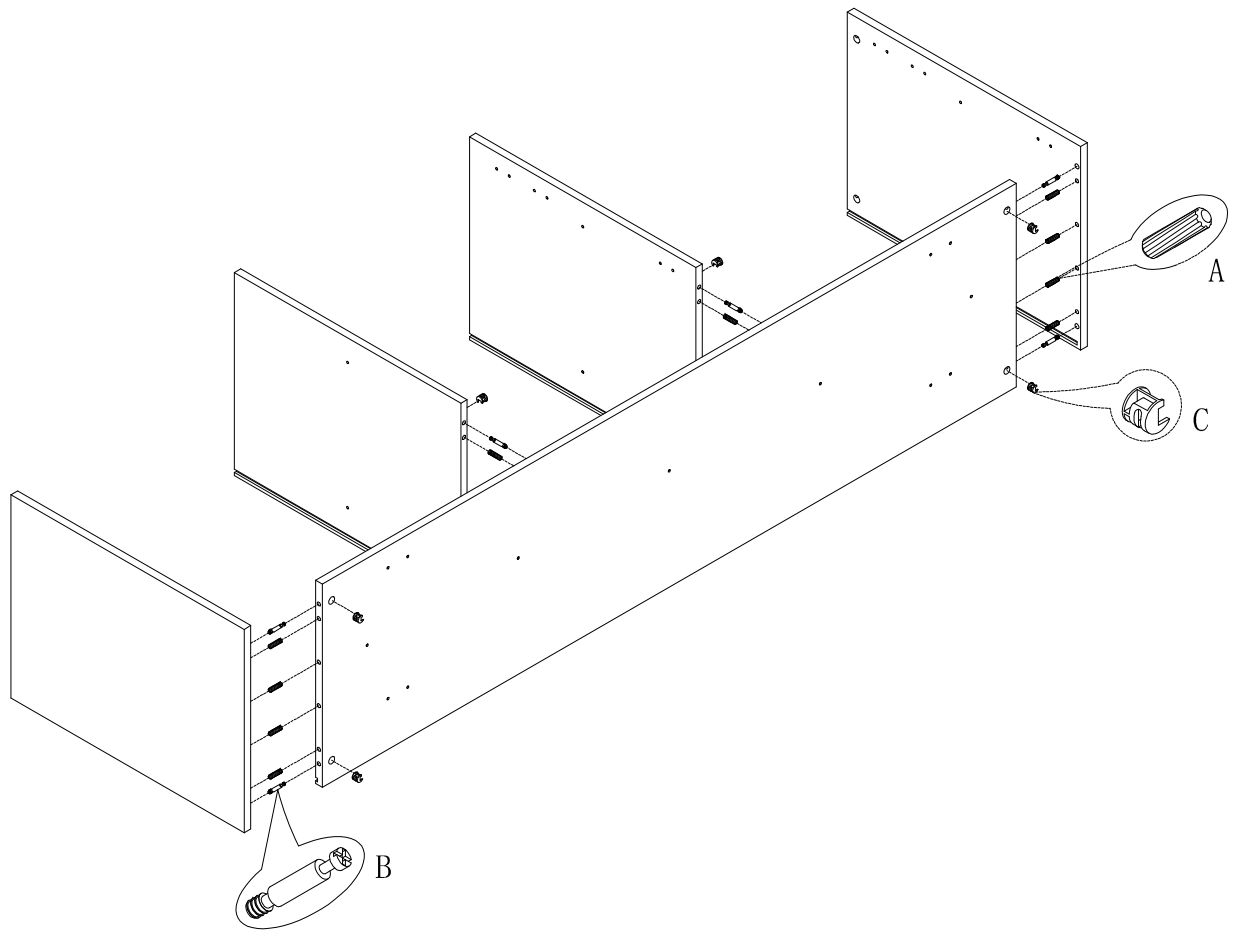
M x4
Spec: 30×15



N x18
Spec: $\phi 3.5 \times L16$

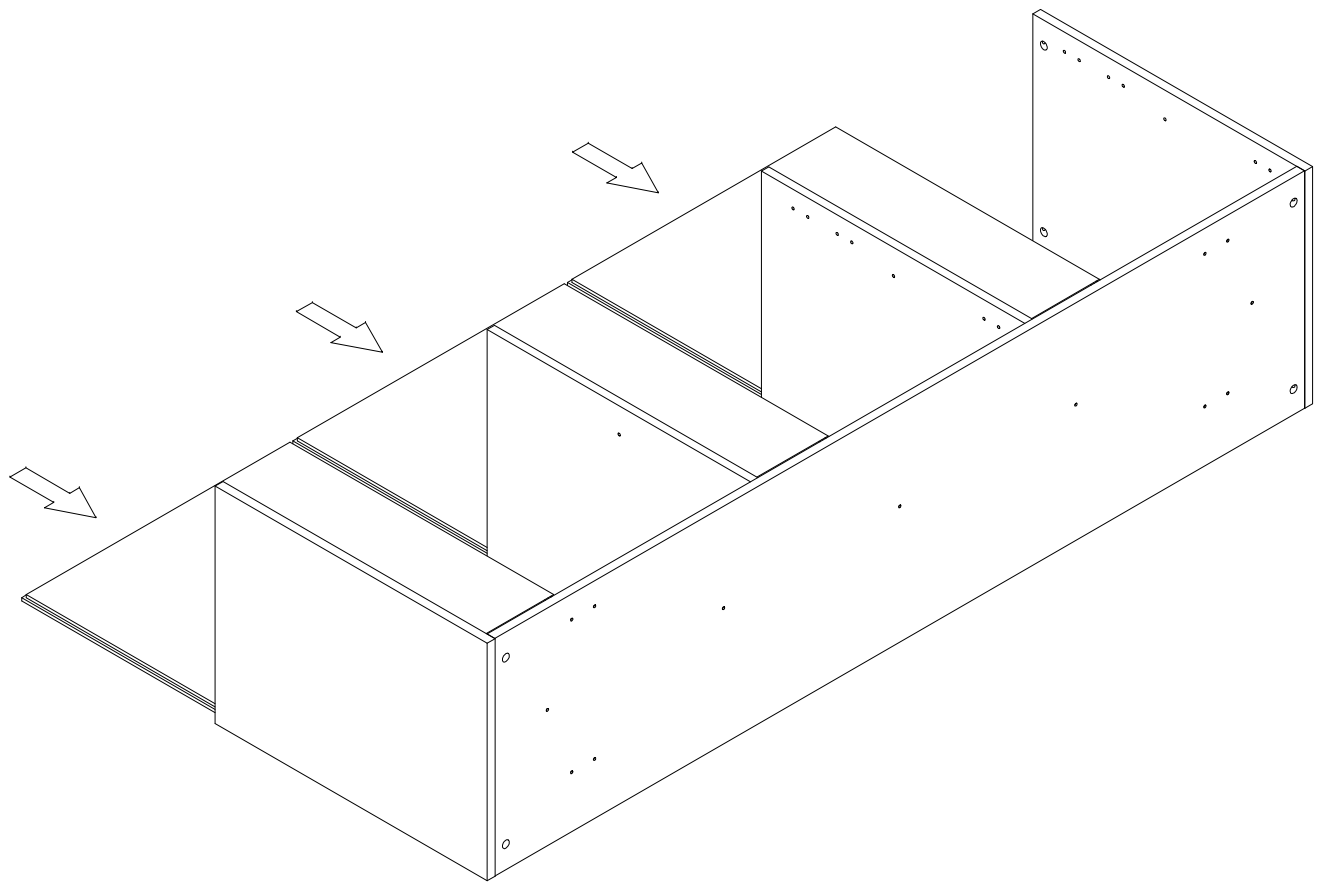


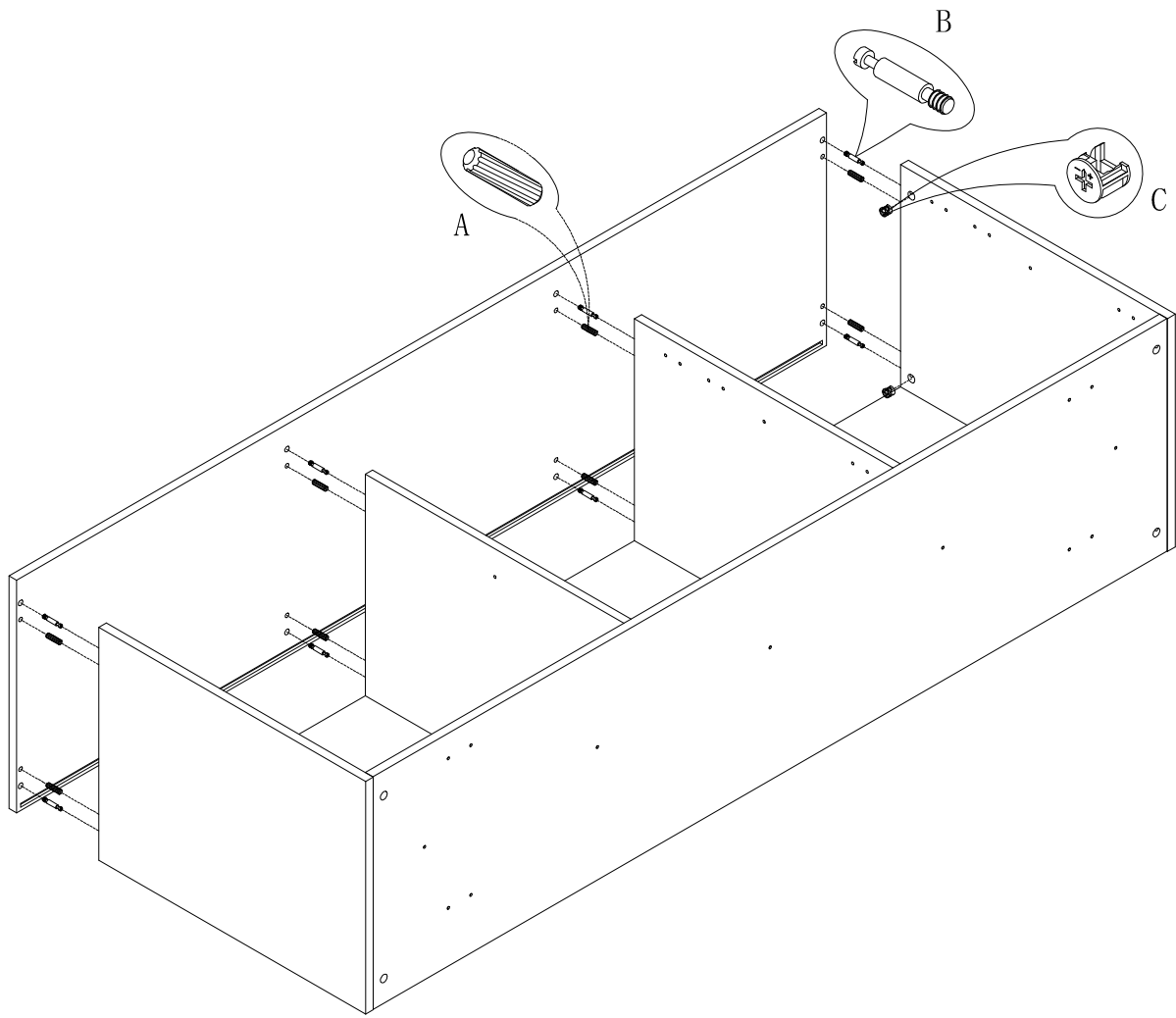
O x18
Spec: H13



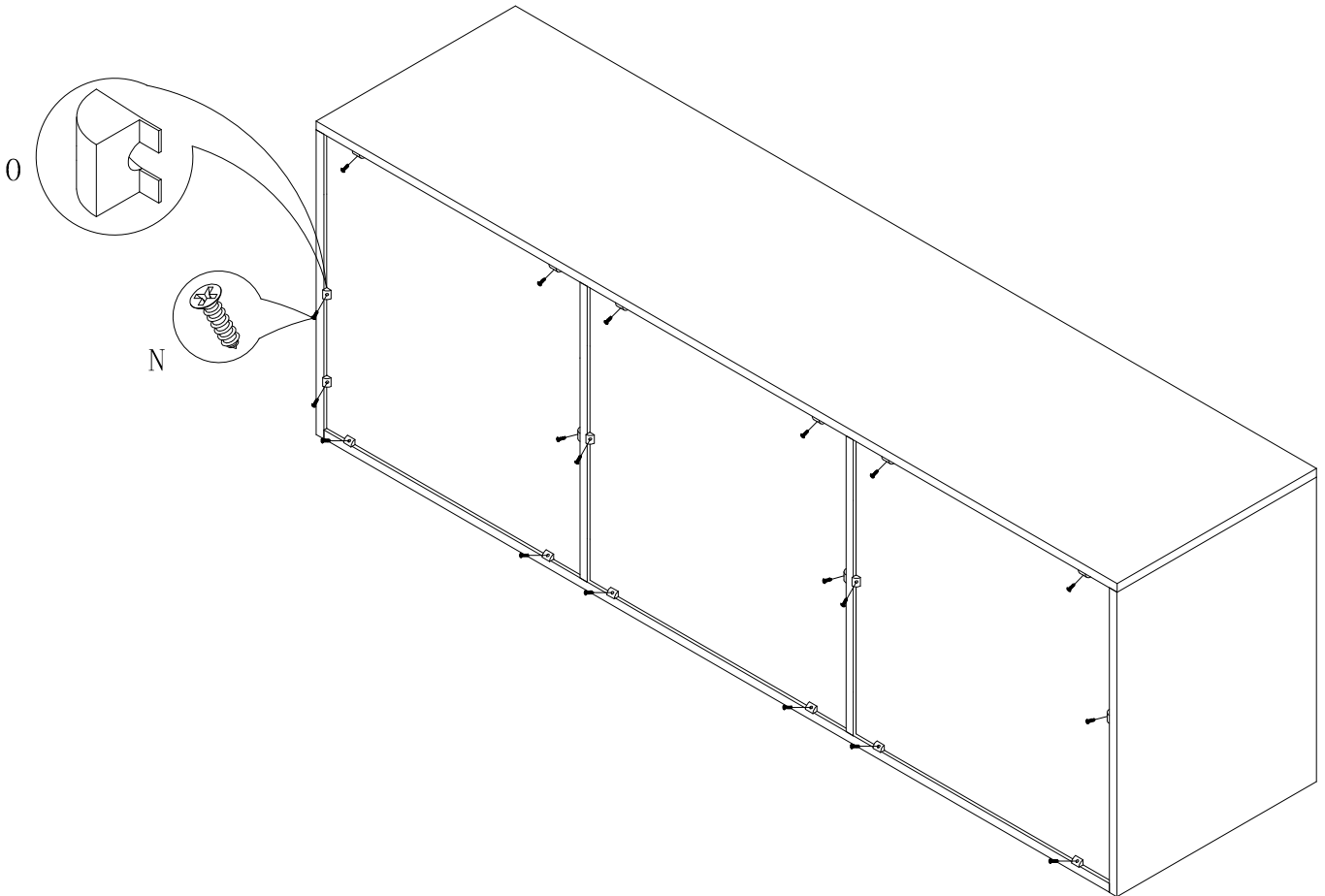
1

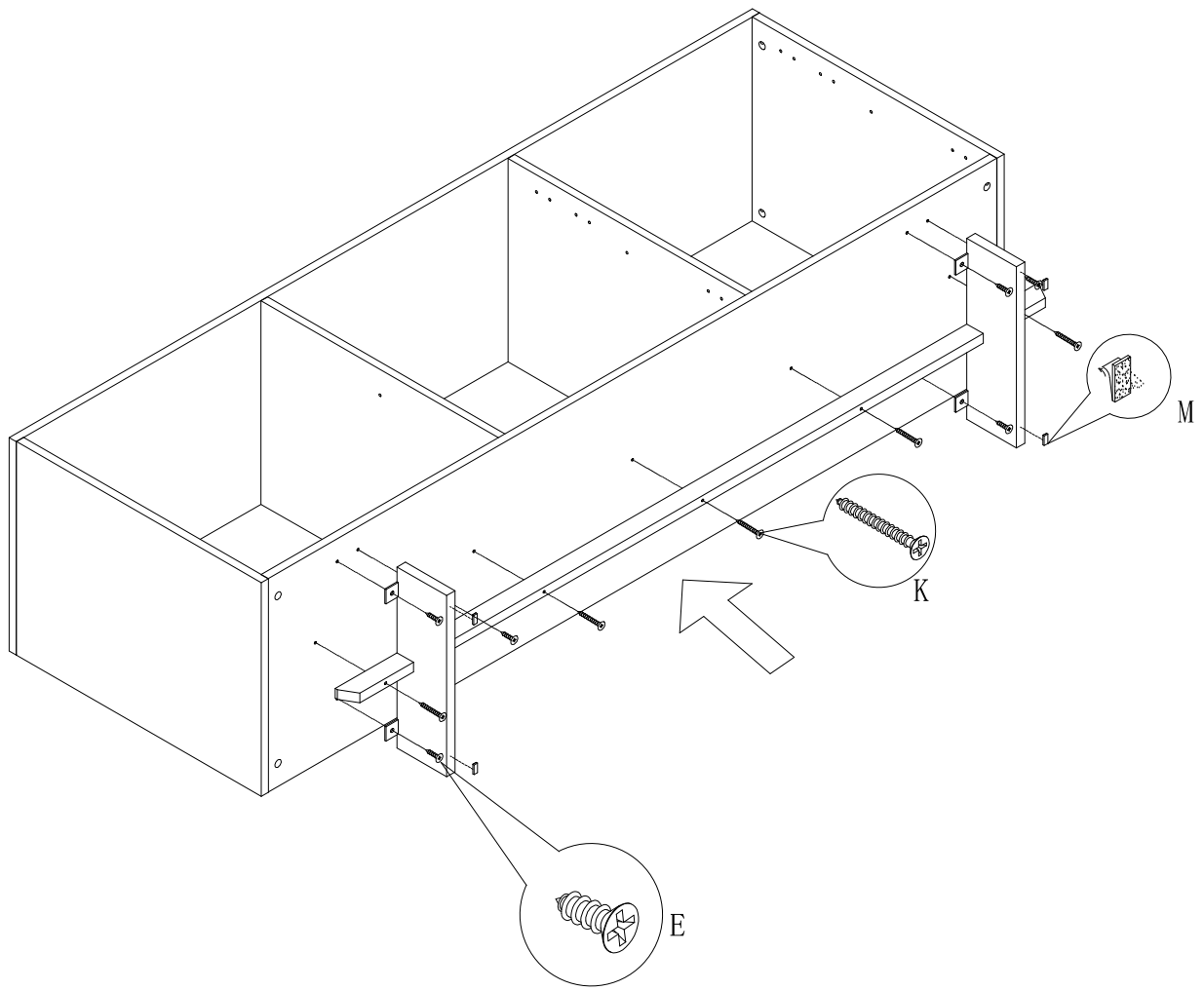
2





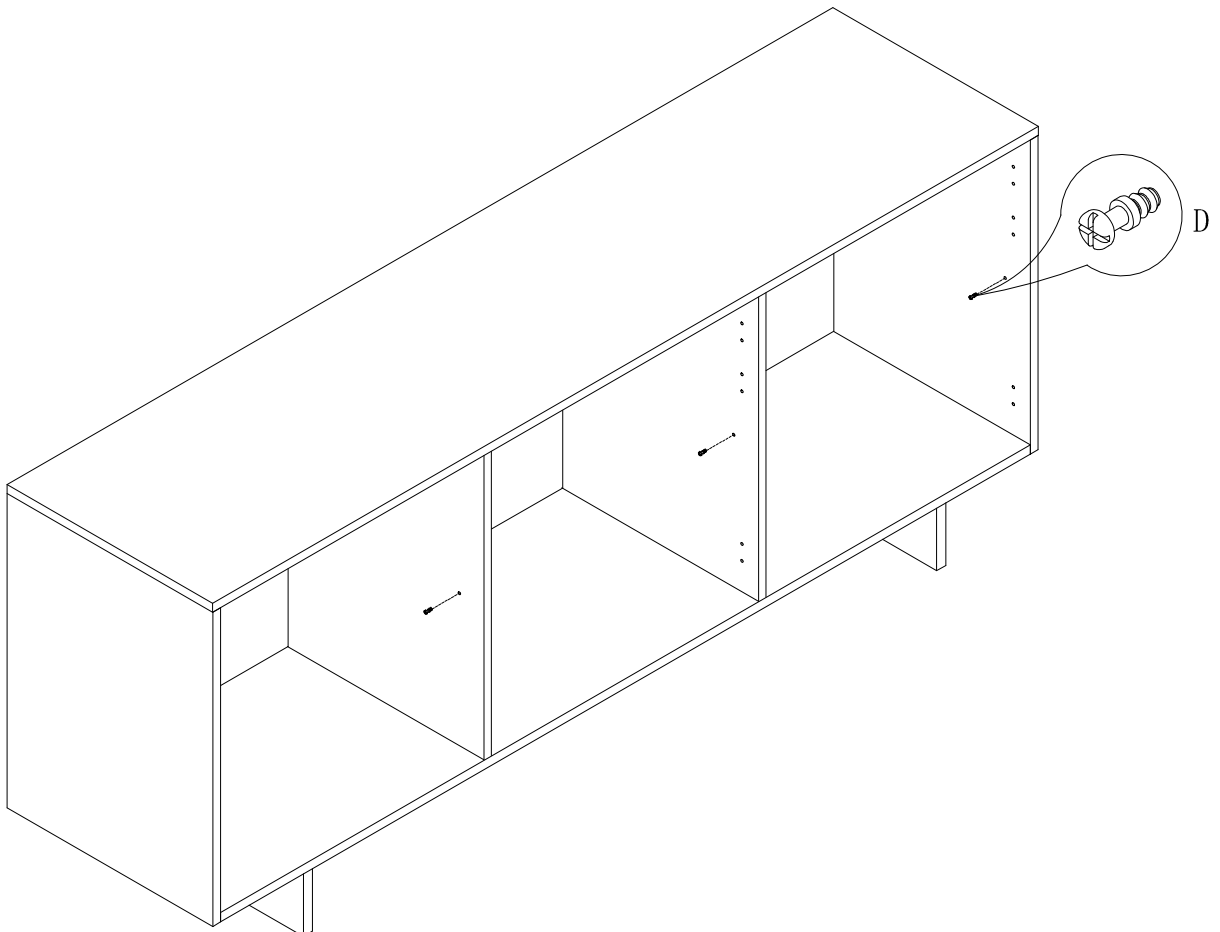
4

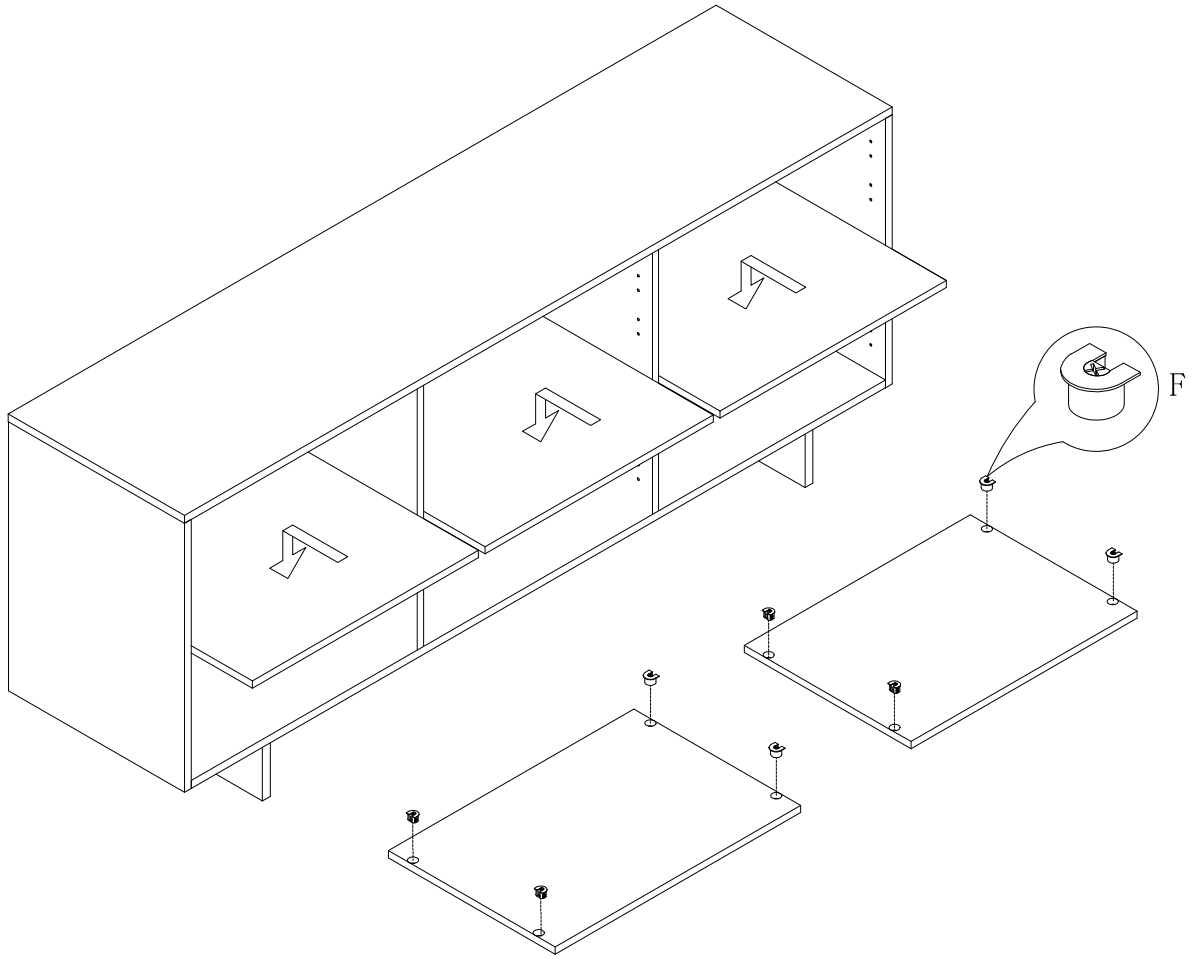




5

6





7

8

