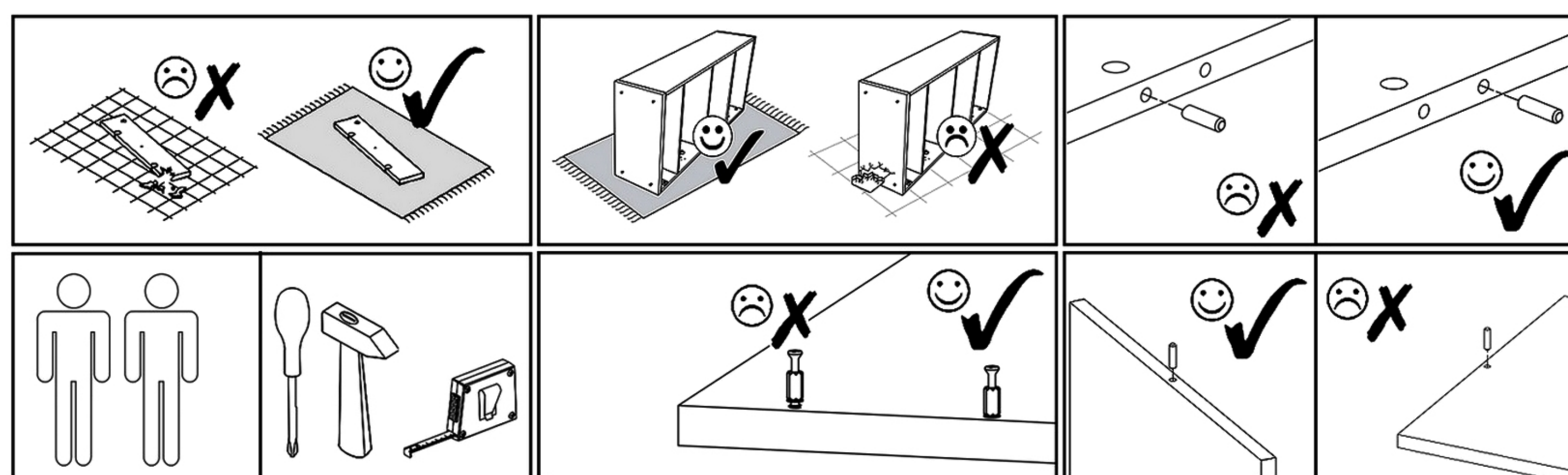
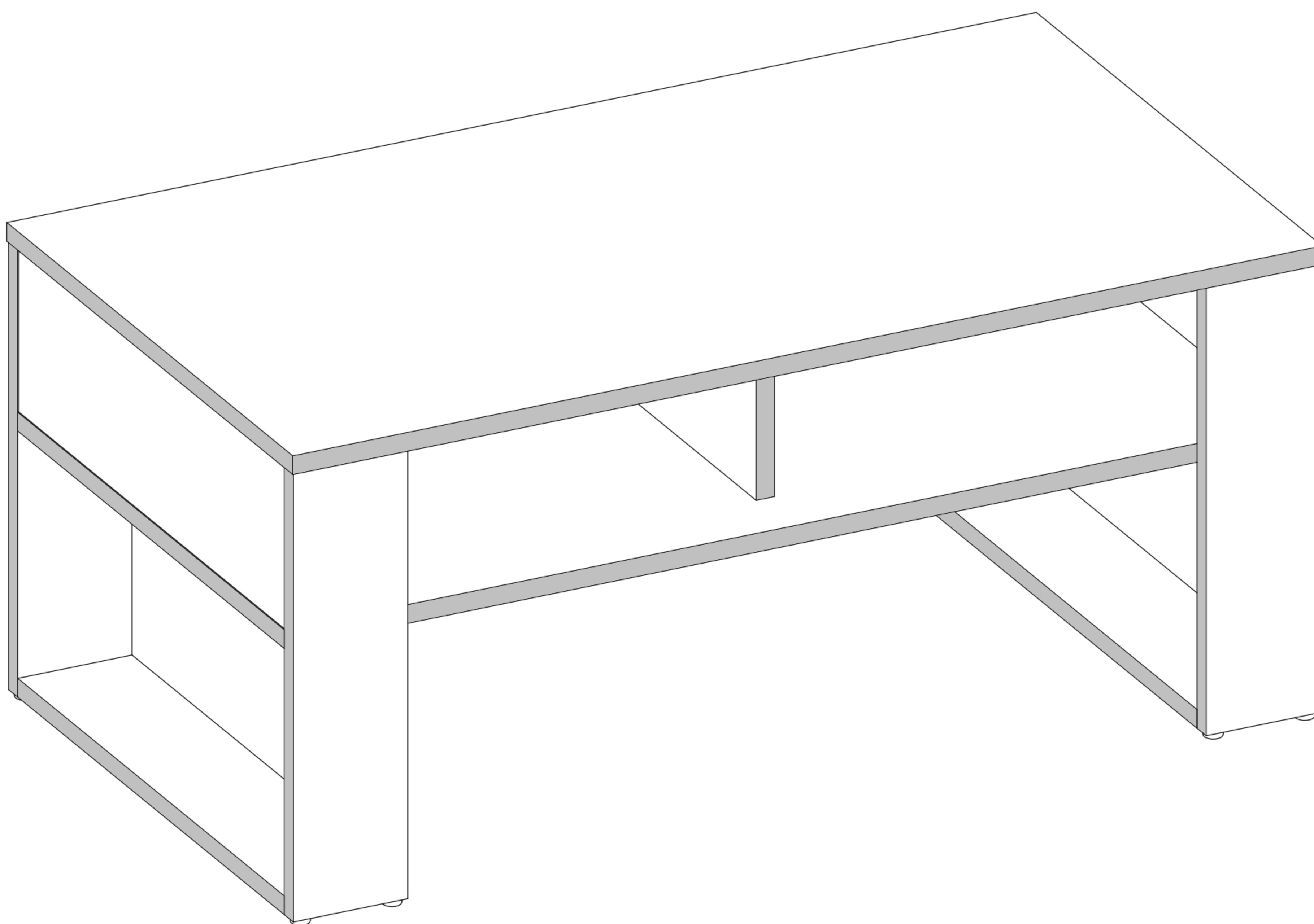
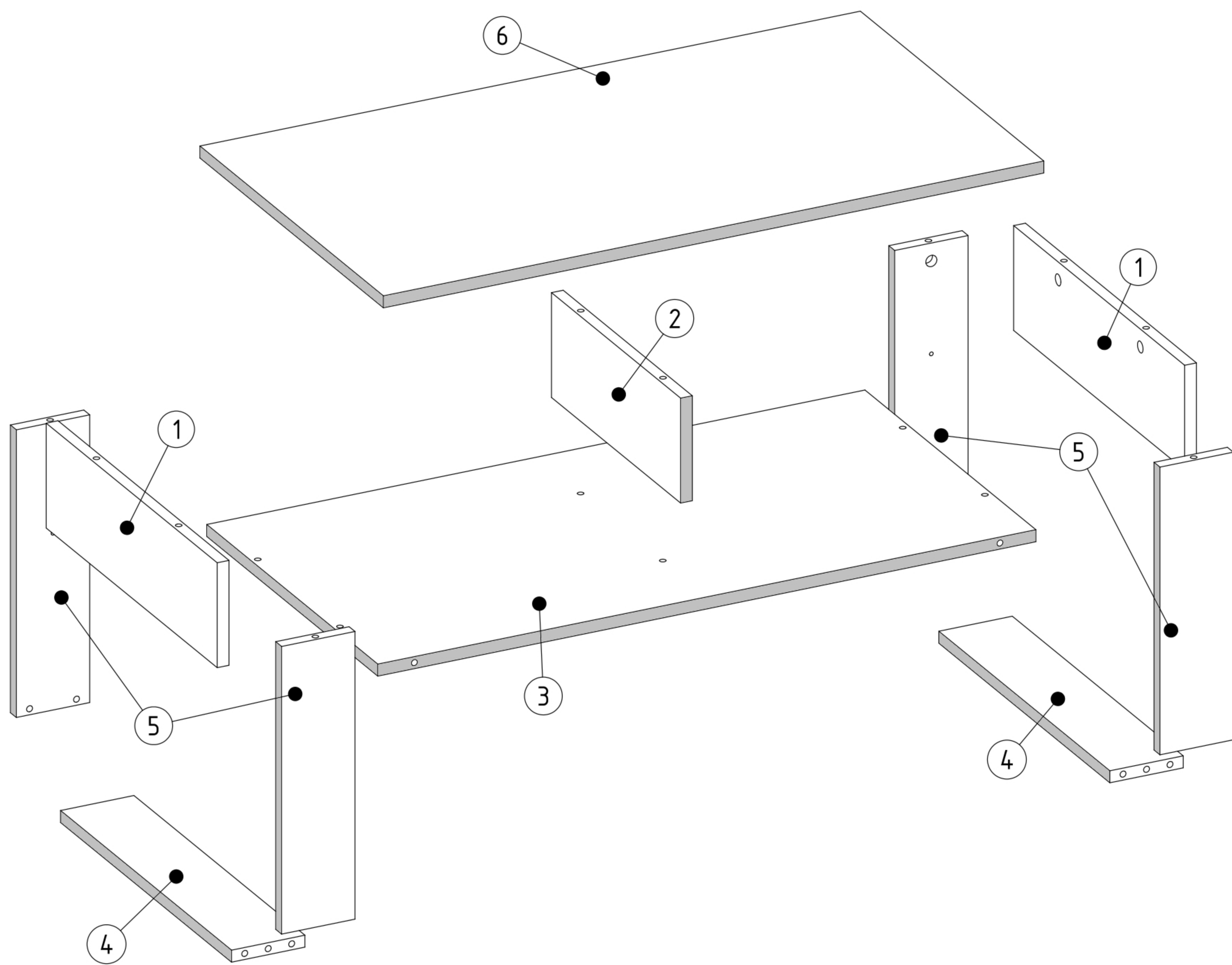


06/07/2022


MODERN 2P

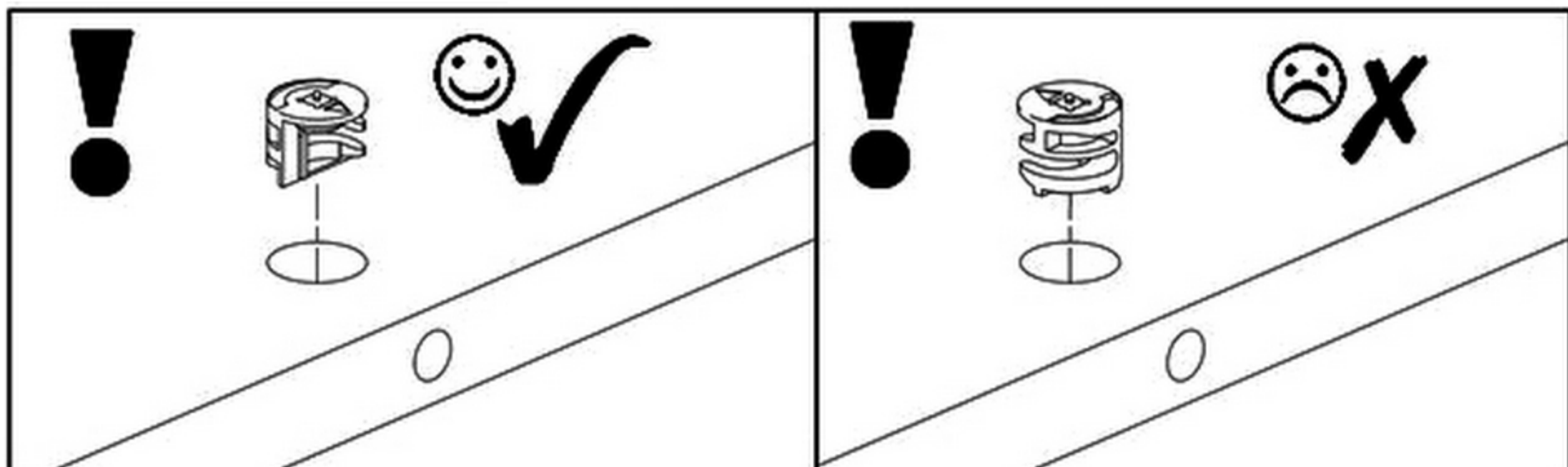
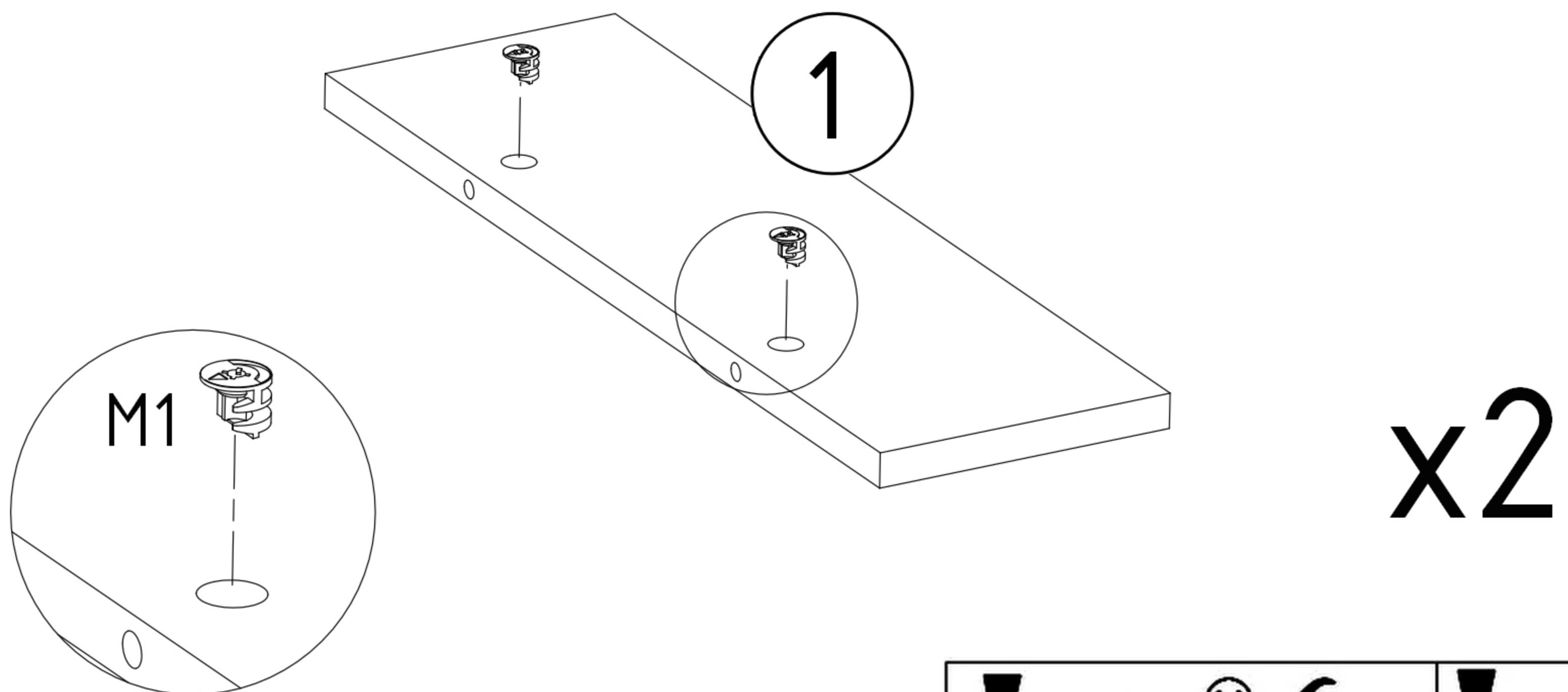



T1	F1	F3	K1	N1	M1	E1
x8	7x50mm x6	x1	x1	L=35mm x16	12x15mm x16	8x30mm x10

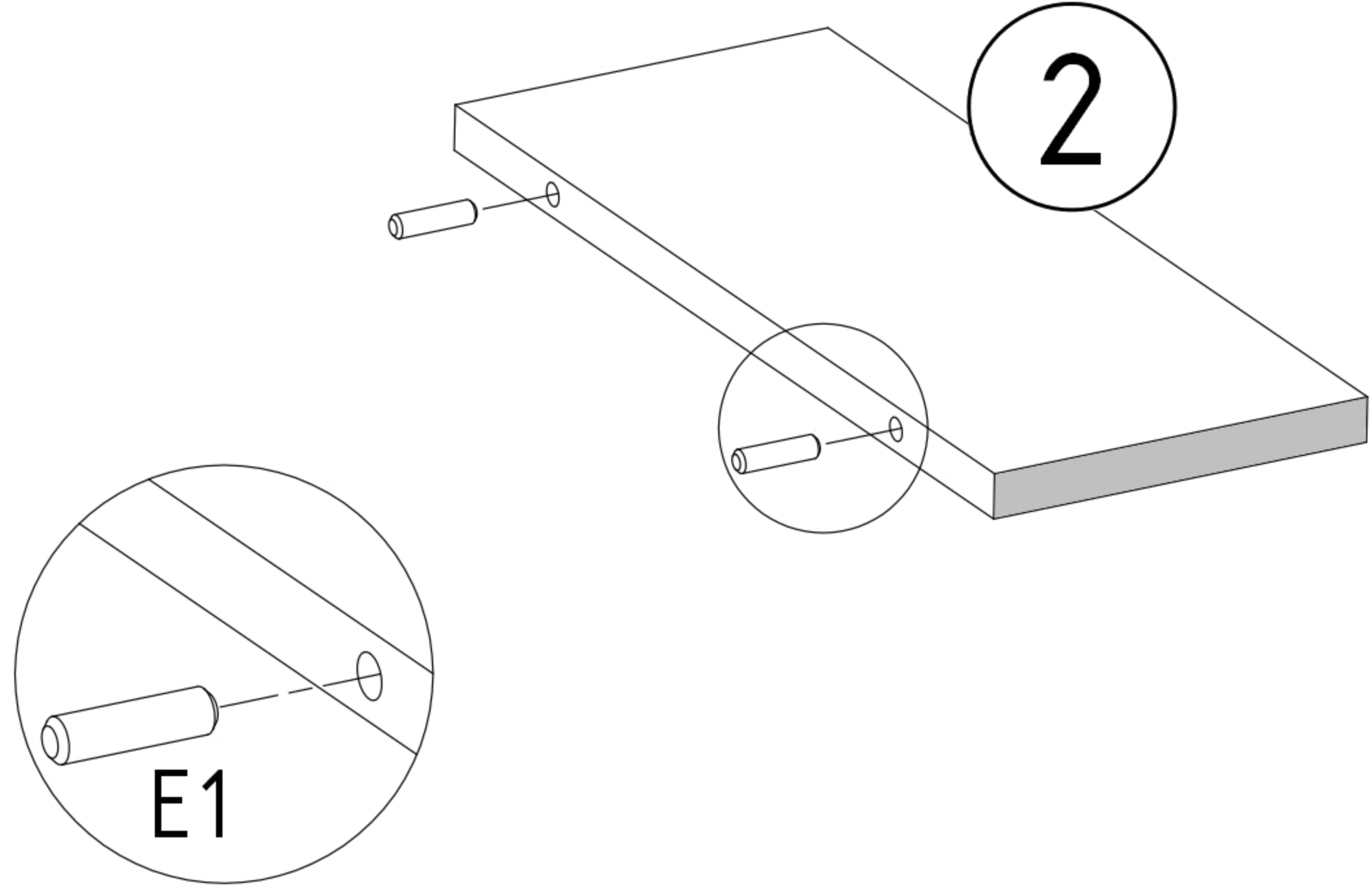



1	x	2
2	x	1
3	x	1
4	x	2
5	x	4
6	x	1

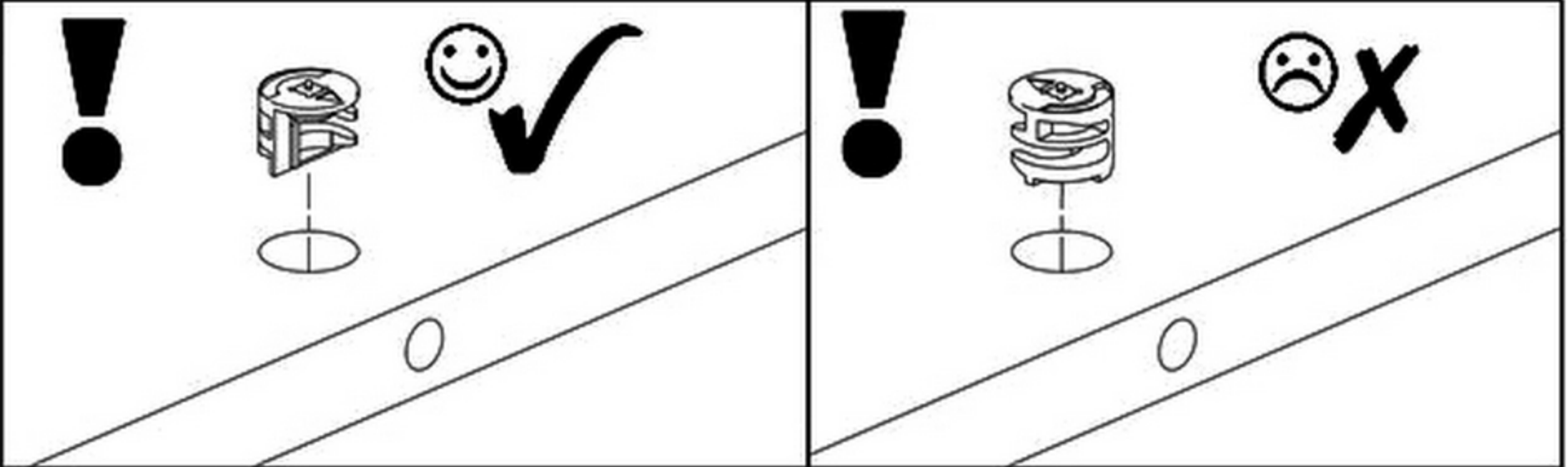
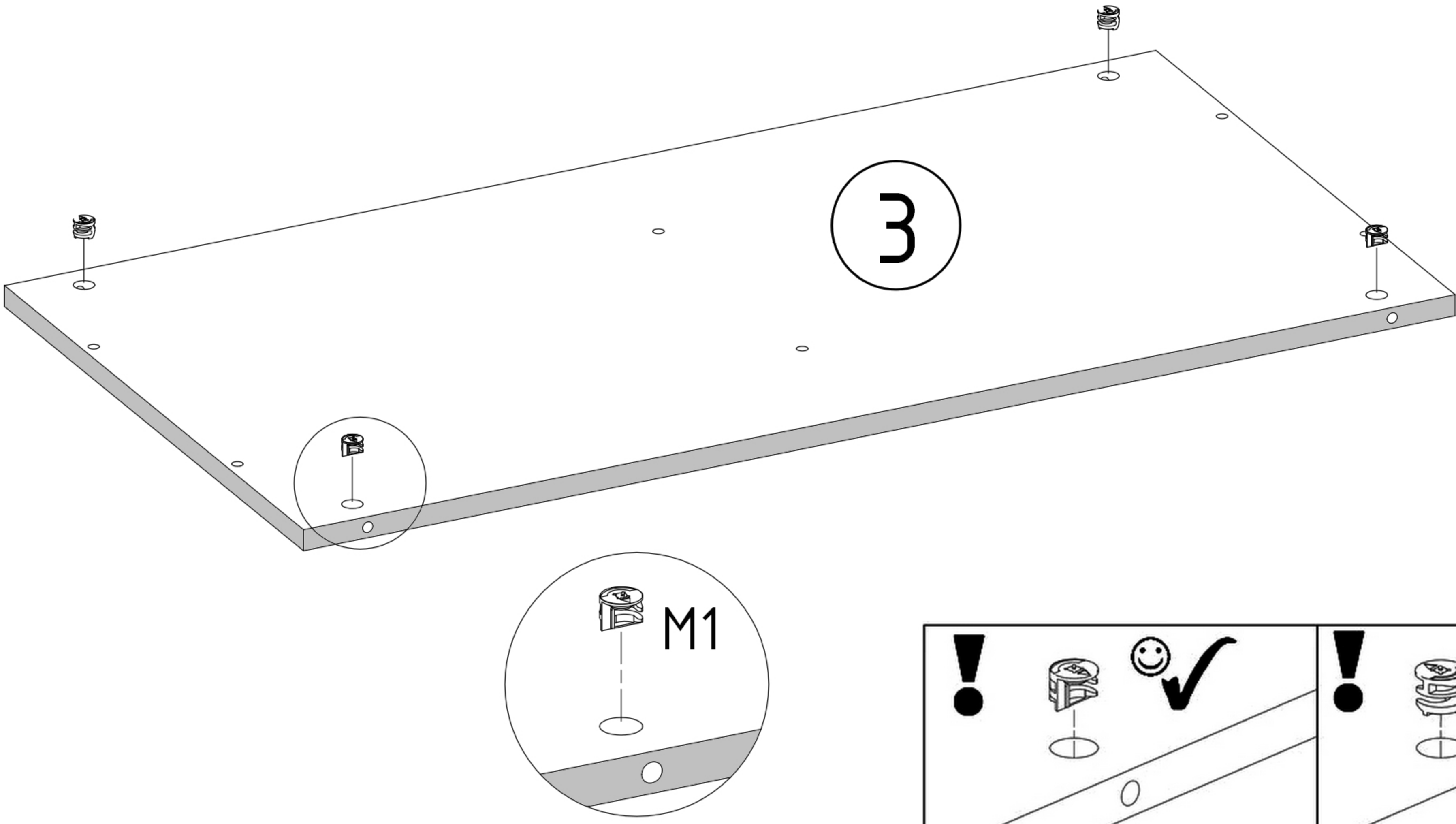
M1

12x15mm **x4**

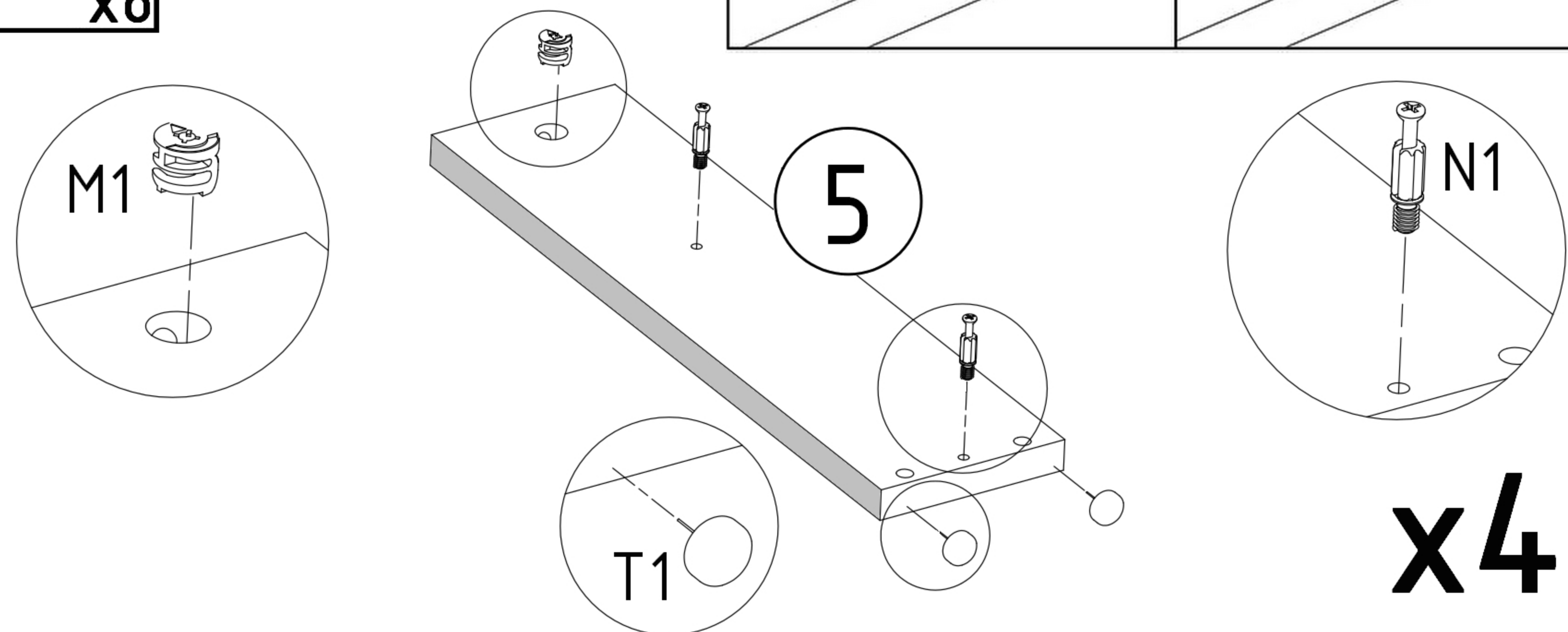
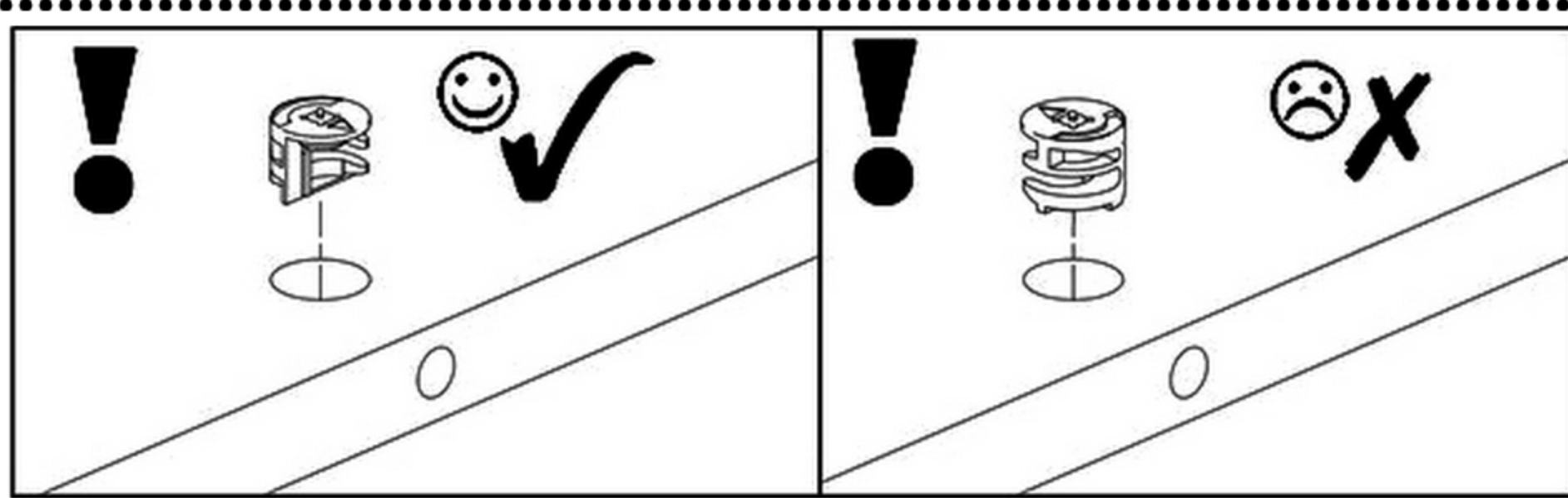
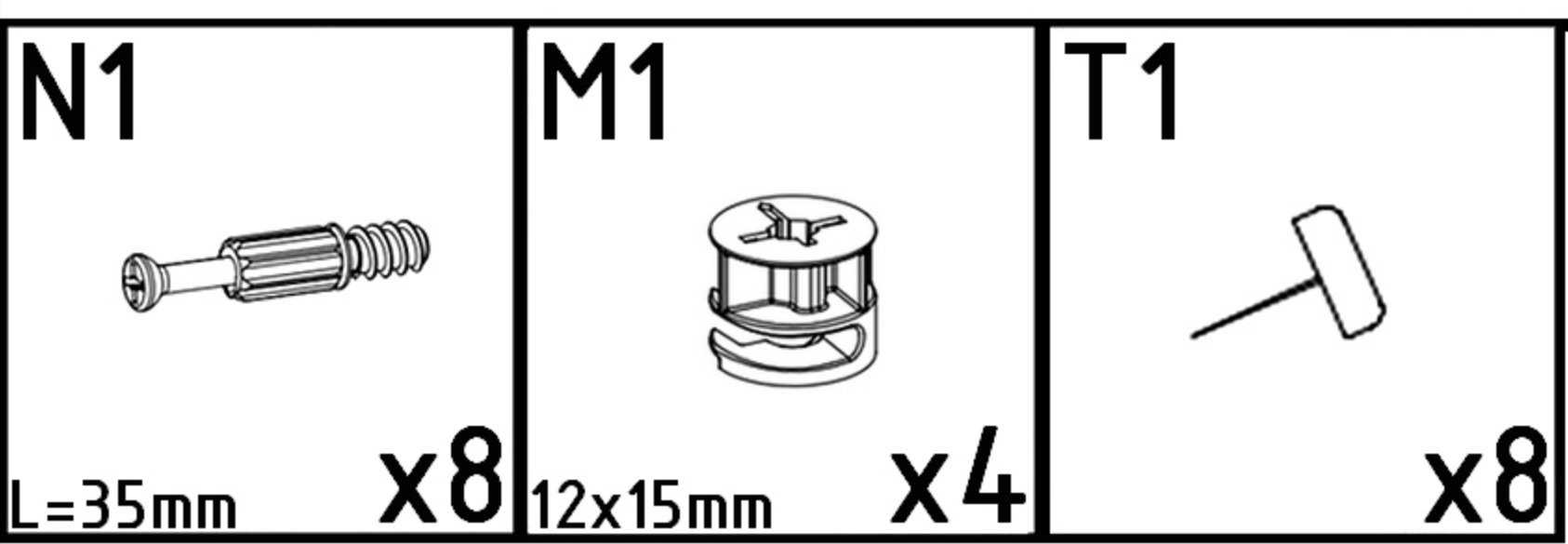
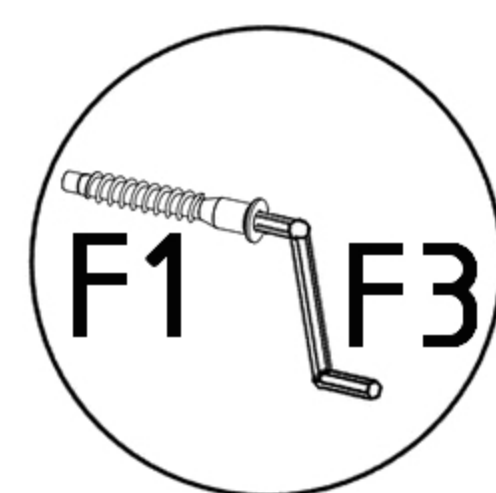
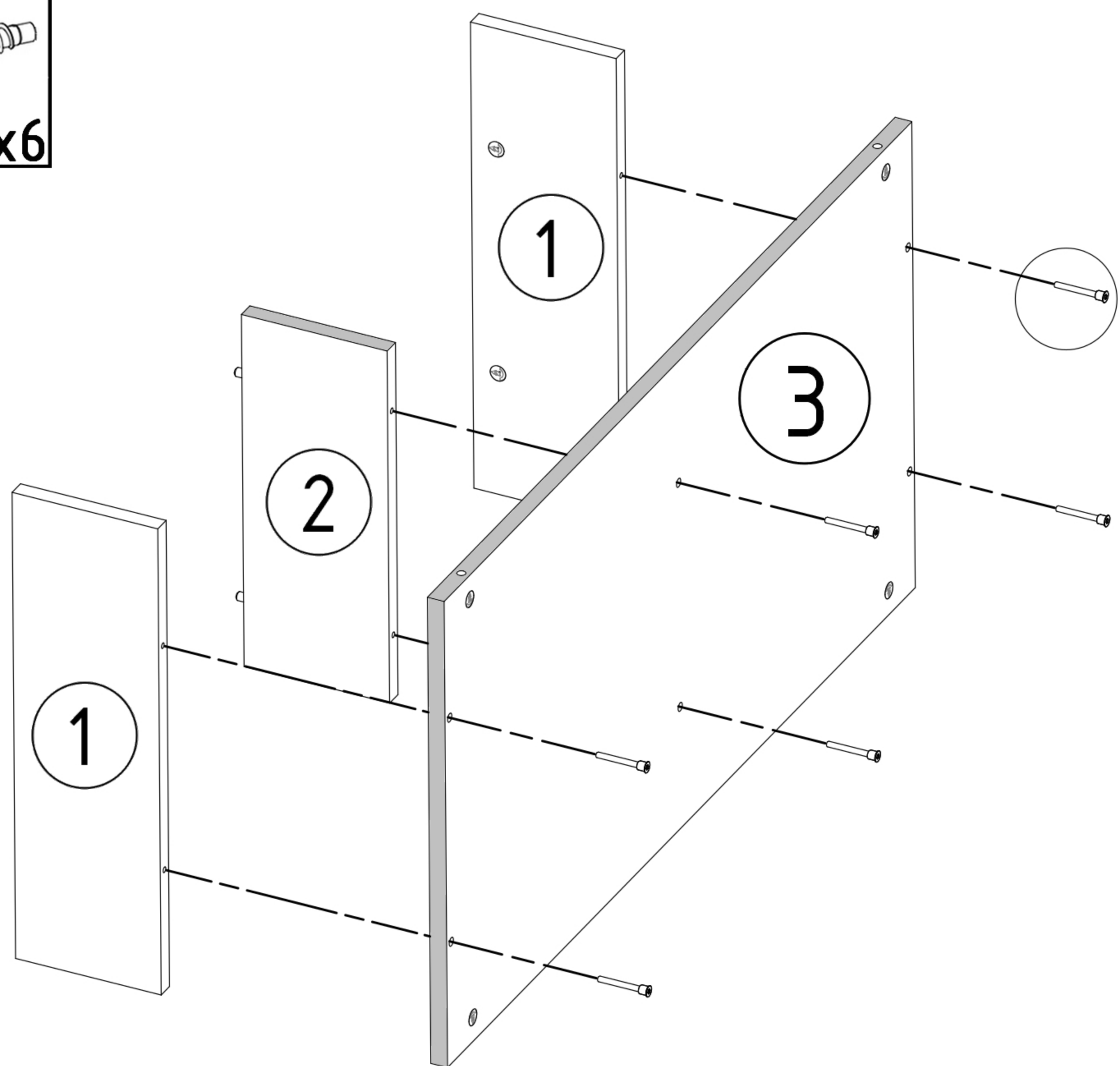
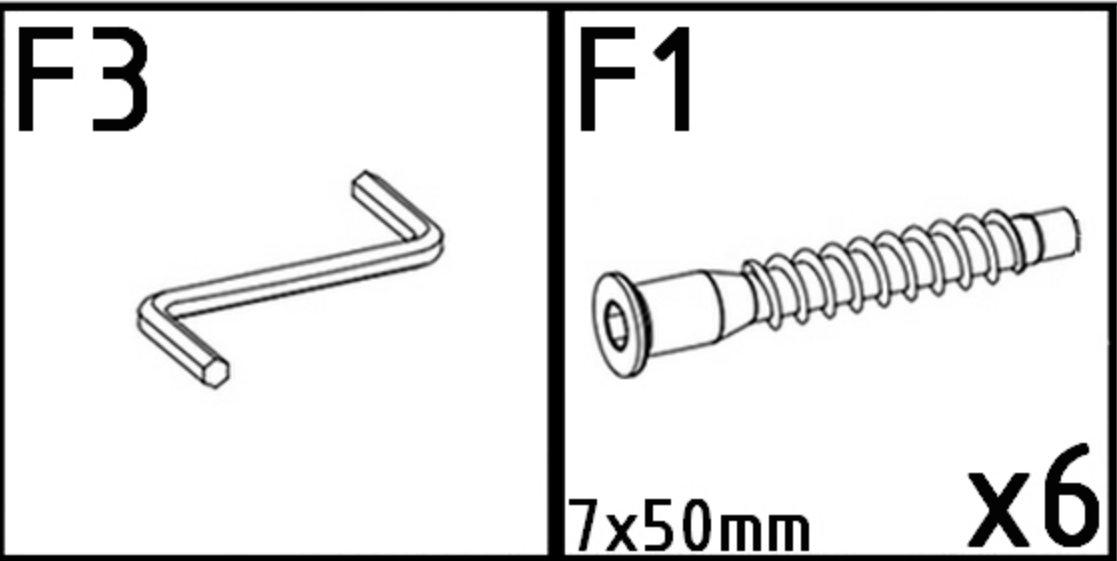


E1

8x30mm **x2**

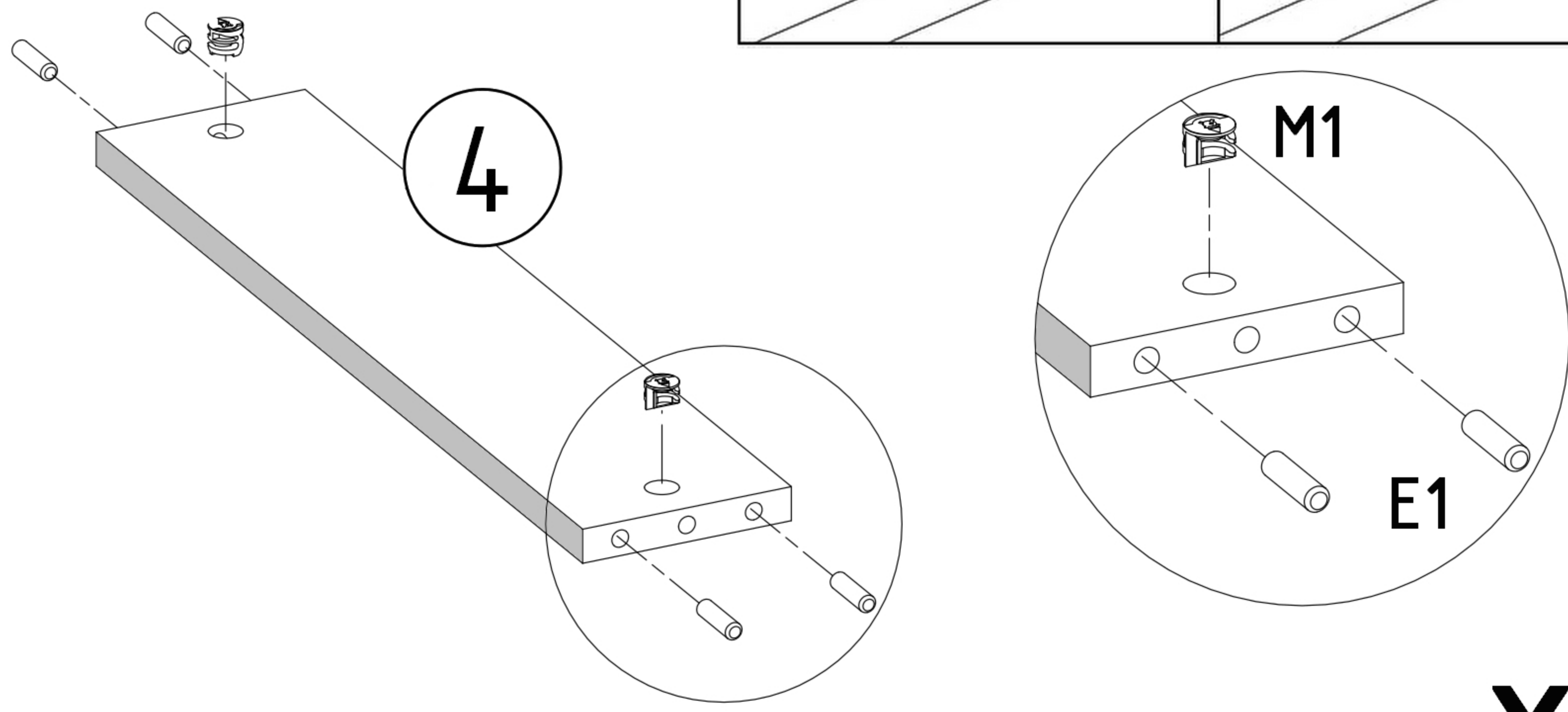
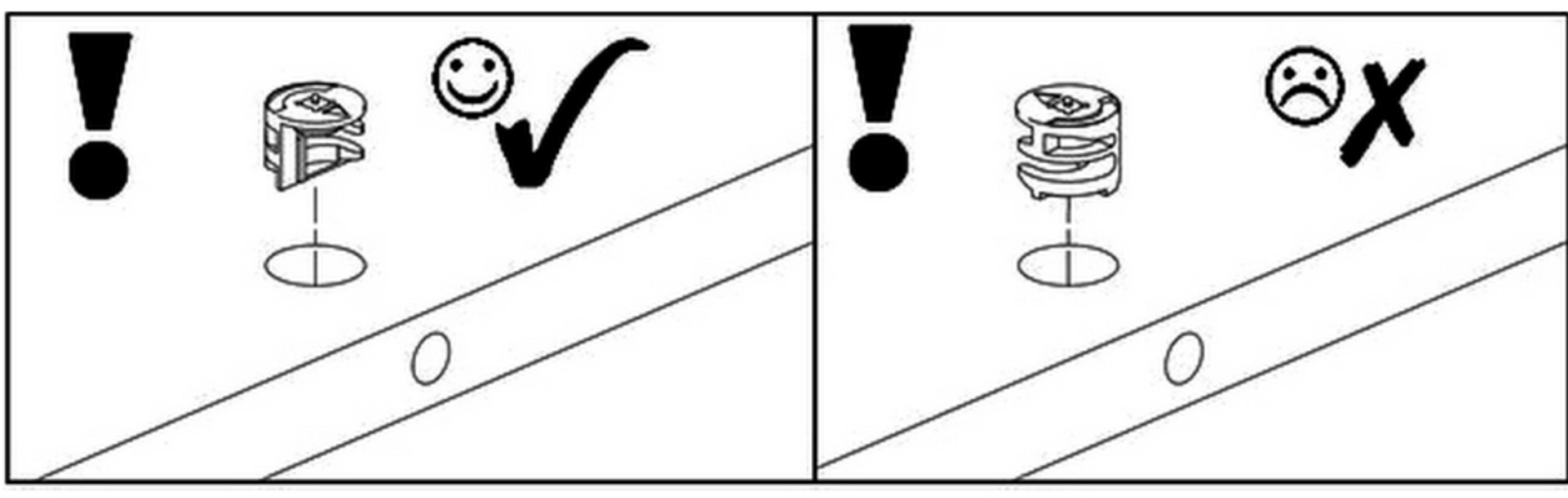
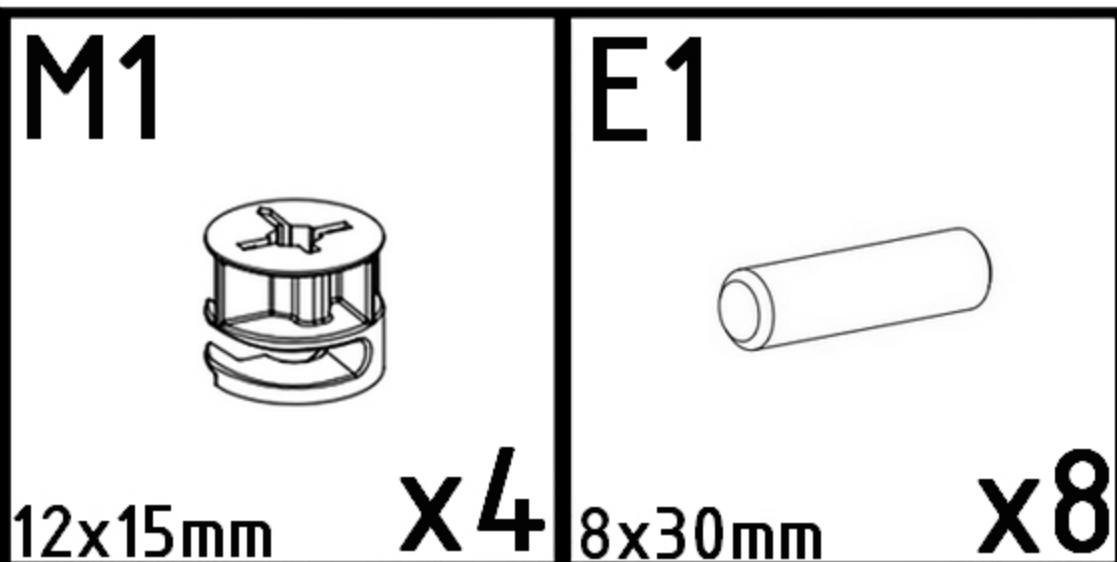


M1

12x15mm **x4**



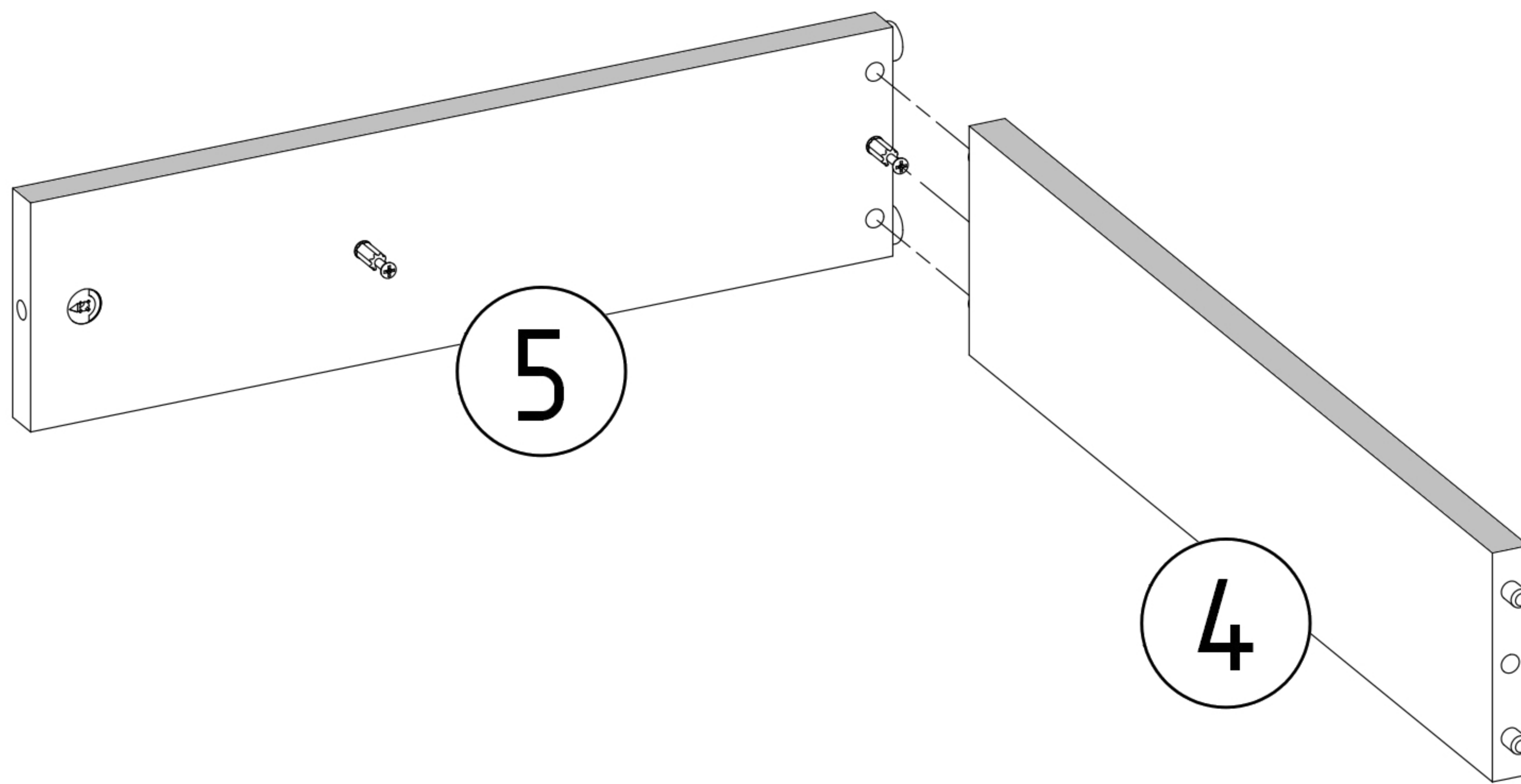


x4

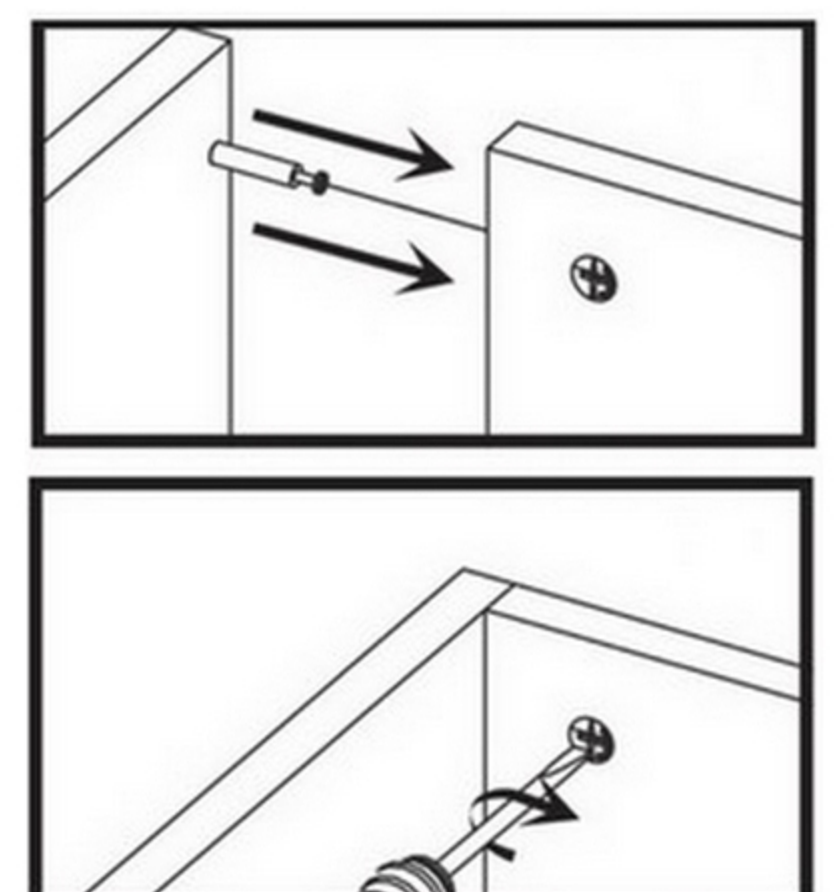
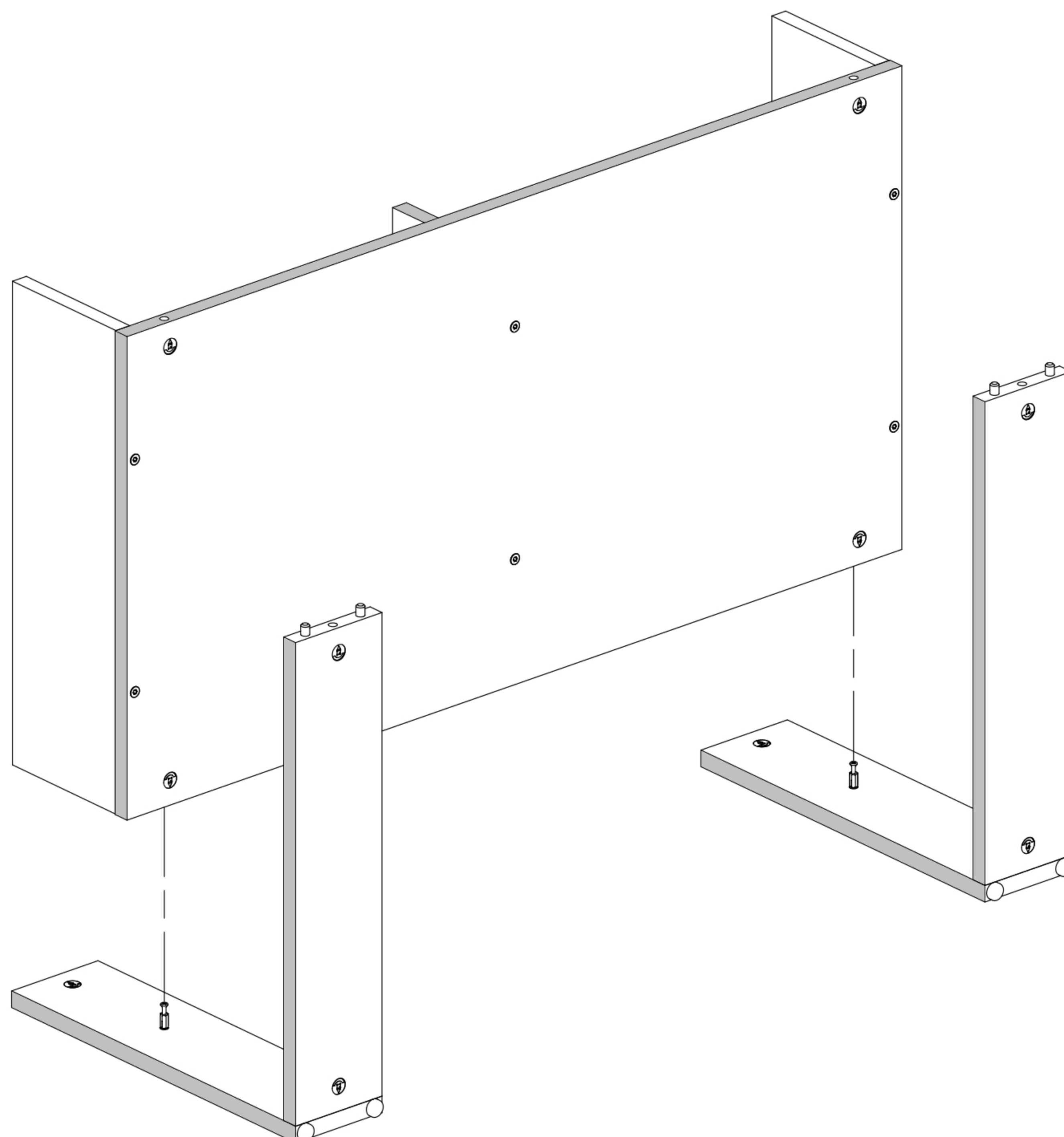
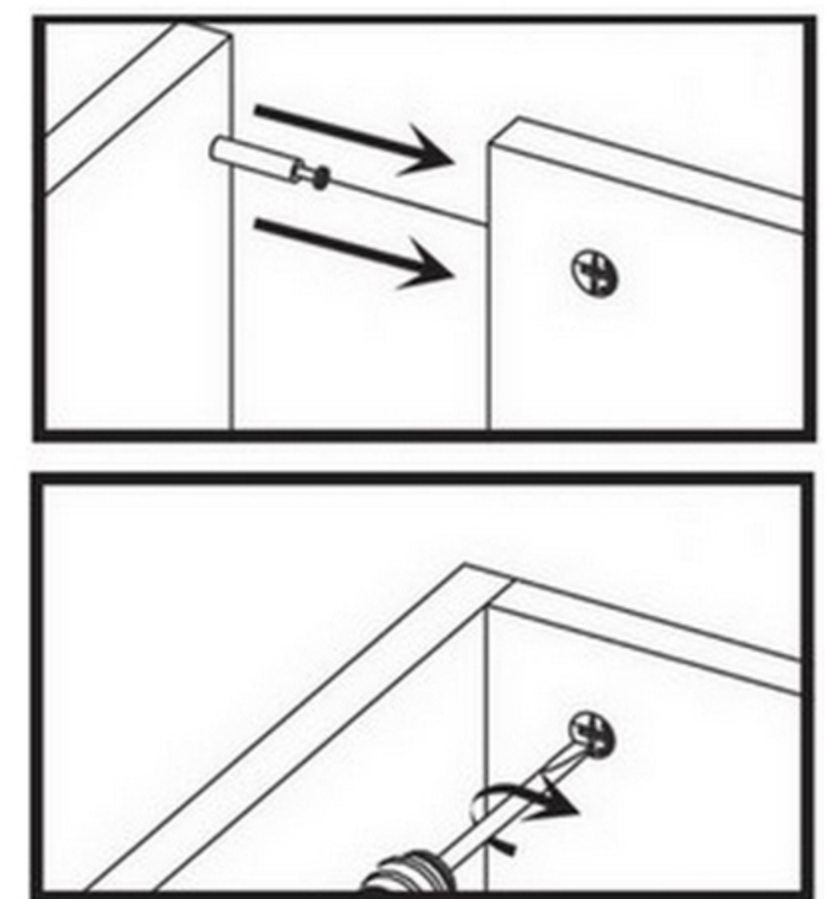


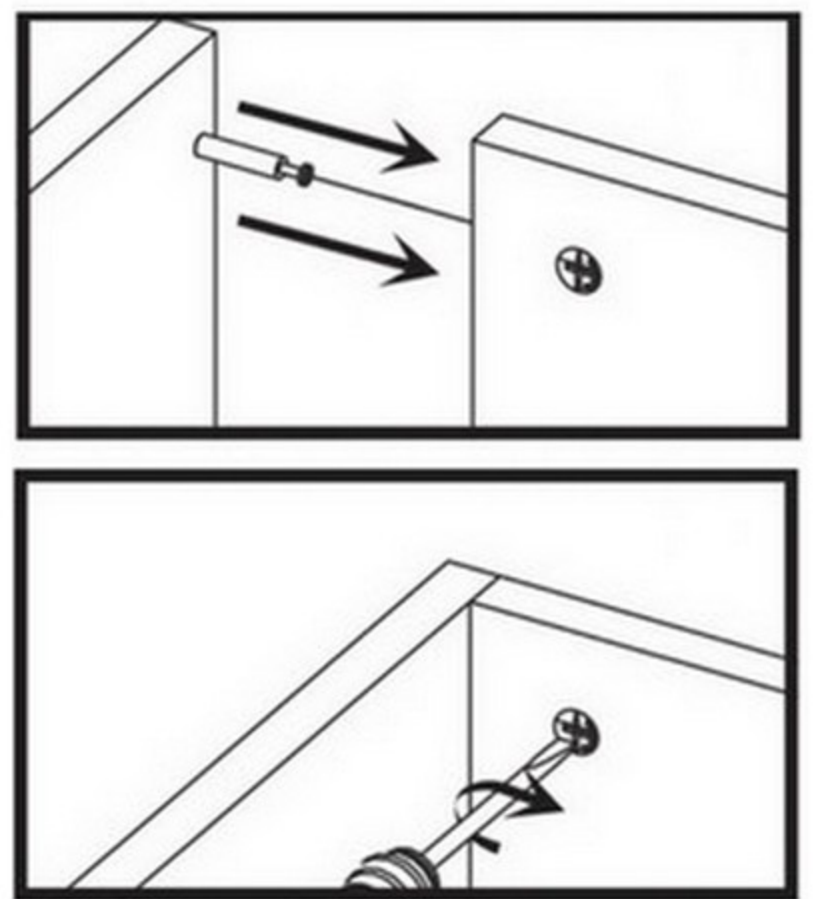
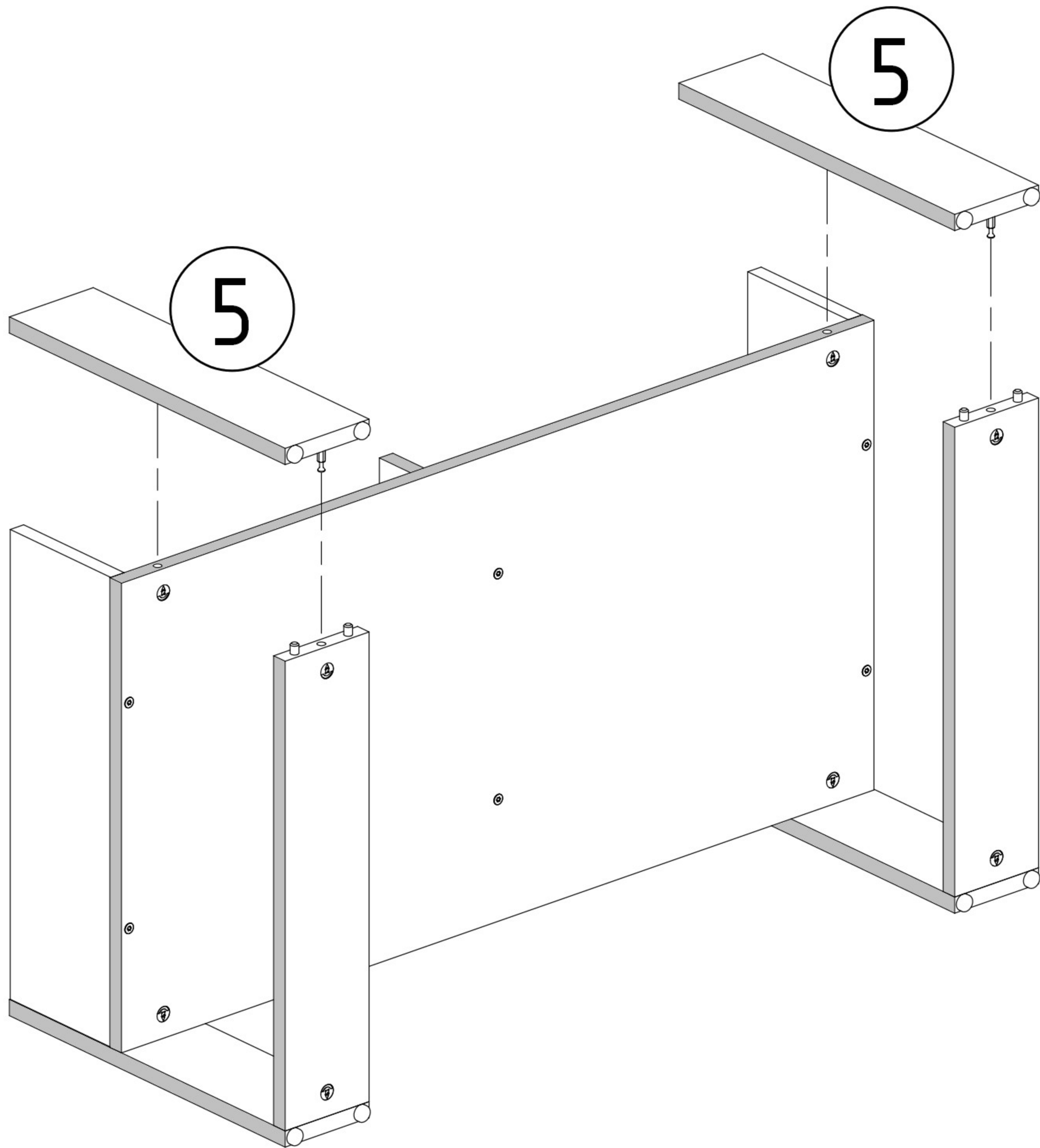
x2

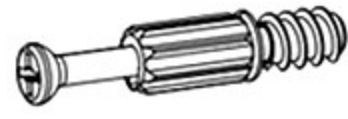
K1
x1



x2





N1

L=35mm x8

