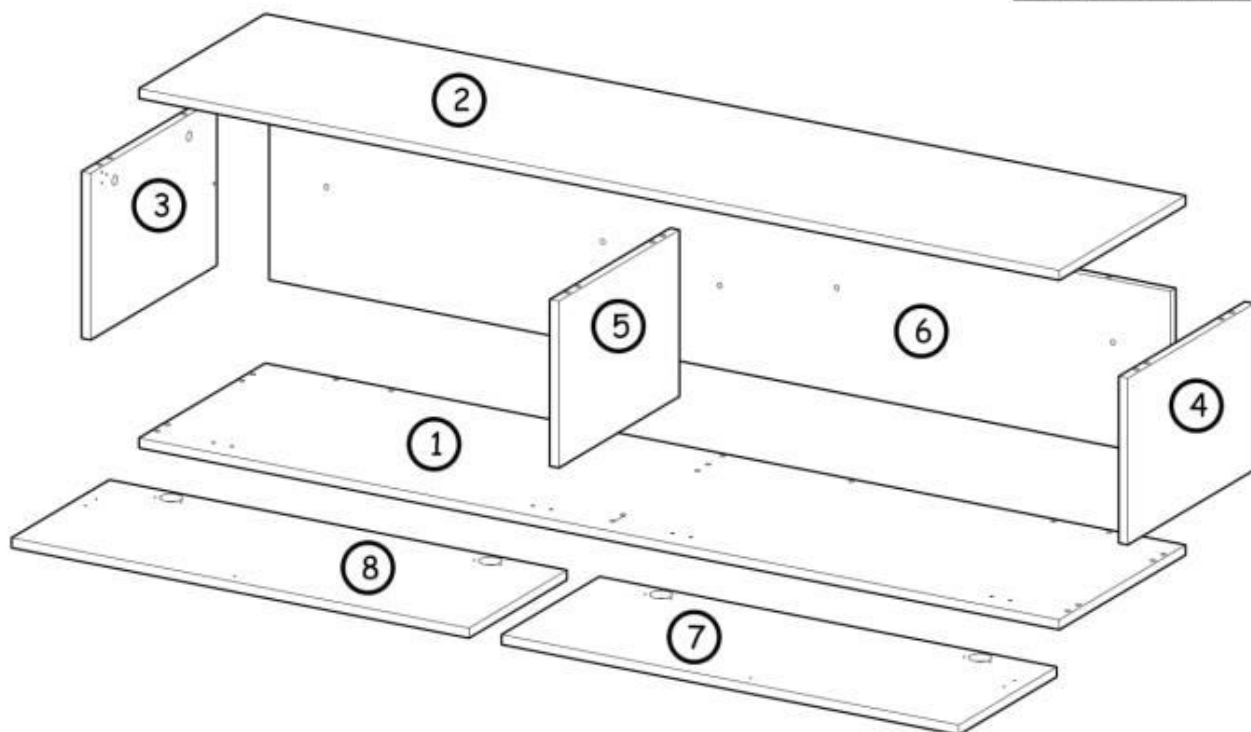
















| Nr | Xmm  | Ymm | Zmm | Szt. |
|----|------|-----|-----|------|
| 1  | 1600 | 380 | 16  | 1    |
| 2  | 1600 | 380 | 16  | 1    |
| 3  | 267  | 380 | 16  | 1    |
| 4  | 267  | 380 | 16  | 1    |
| 5  | 267  | 363 | 16  | 1    |
| 6  | 1567 | 267 | 16  | 1    |
| 7  | 795  | 295 | 16  | 1    |
| 8  | 795  | 295 | 16  | 1    |



|   |   |  |   |  |  |
|---|---|--|---|--|--|
| <b>I12</b><br><br>14 x<br>ø4/ø10 | <b>A1</b><br><br>11 x<br>ø7x50 | <b>W2</b><br><br>1 x<br>4mm | <b>U8</b><br><br>4 x<br>ø10x50 | <b>A2</b><br><br>4 x<br>ø7x70   | <b>K1</b><br><br>12 x<br>ø15x12 |
| <b>K5</b><br><br>12 x<br>34mm    | <b>B1</b><br><br>18 x<br>ø8x35 | <b>L9</b><br><br>2 x        | <b>L10</b><br><br>2 x          | <b>G34</b><br><br>8 x<br>3,5x16 | <b>I20</b><br><br>6 x<br>ø4/ø17 |
| <b>D3</b><br><br>4 x<br>KLIK     | <b>C3</b><br><br>4 x<br>KLIK   |  |   |  |  |