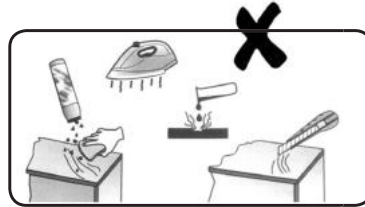
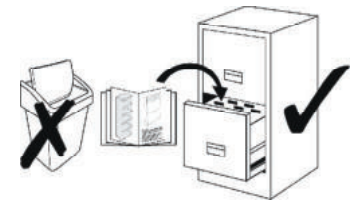
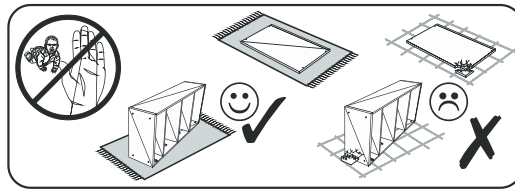


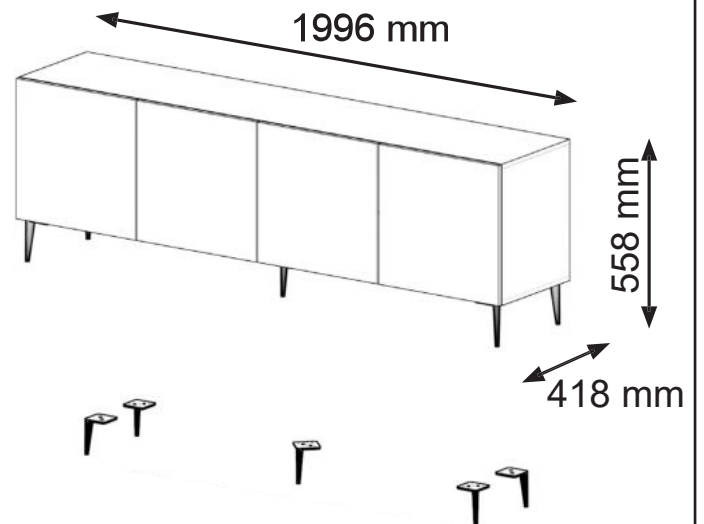
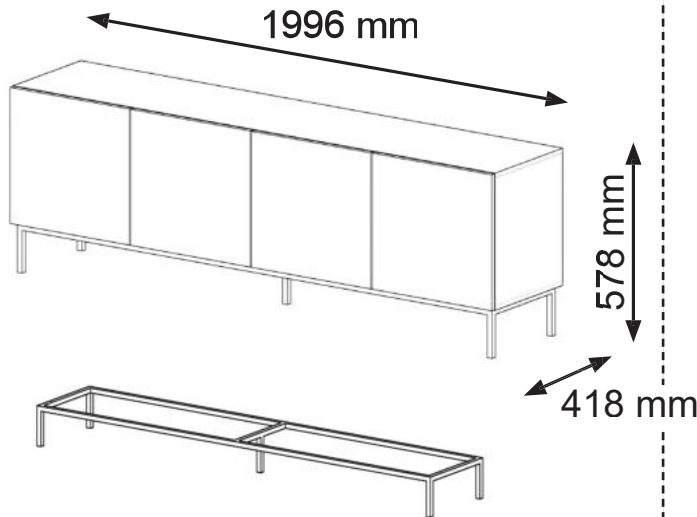
RAVENNA - RTV 4D

RAVENNA RTV 4D - 05062022



VER 1.

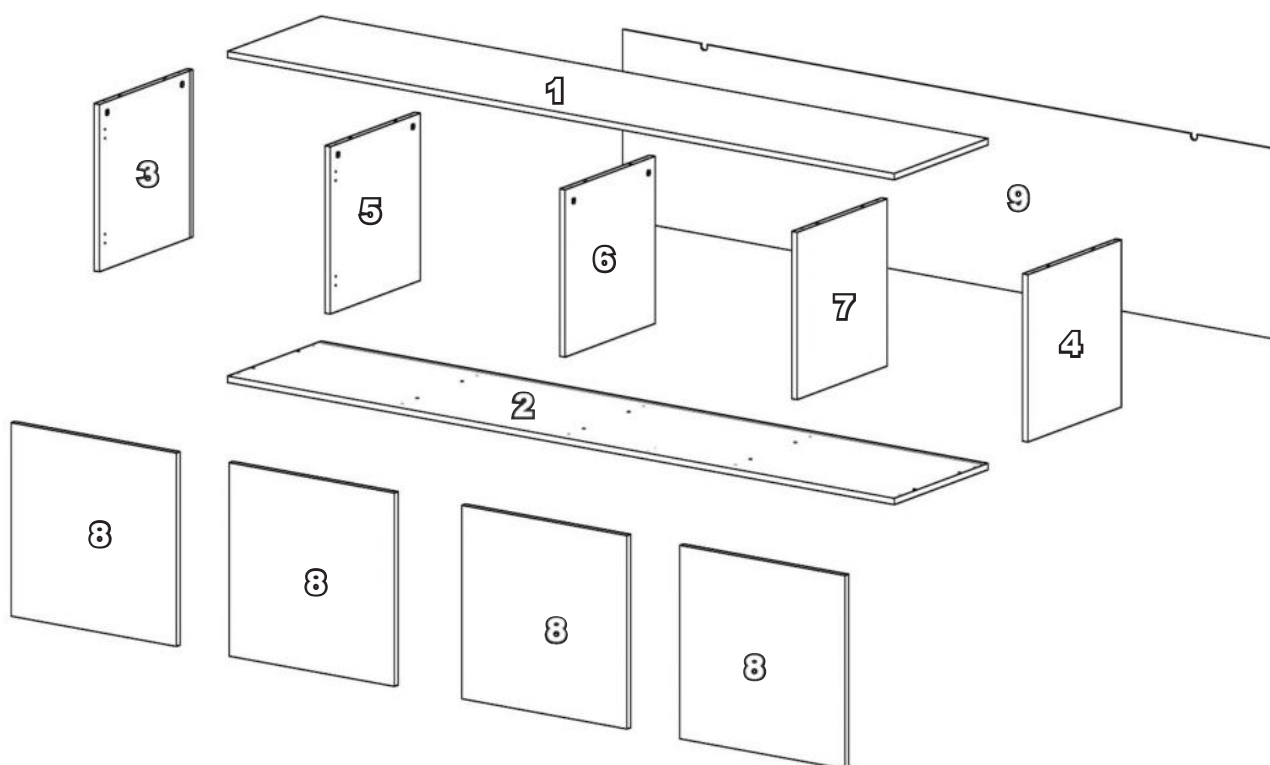
VER 2.



B1 20x 8x30	A1 10x 7/50	W2 1x 4mm	K5 10x 20/ø6x11	K1 10x ø15x12	G22 6x 3x16	G6 16x 3.5x13
G29 8x 6x13	C3 4x	D3 4x	 8x 6.3x13	C10 4x	D10 4x	 8x 6.3x13
M11 2x 75/30/15	G24 4x 4x16	L11 4x	I1 22x	U8 2x ø8x40	G33 2x 4x40	
				G3 12x 4x30	VER 1.	G35 20x 3.5x20
						VER 2.

RAVENNA - RTV 4D

RAVENNA RTV 4D - 05062022

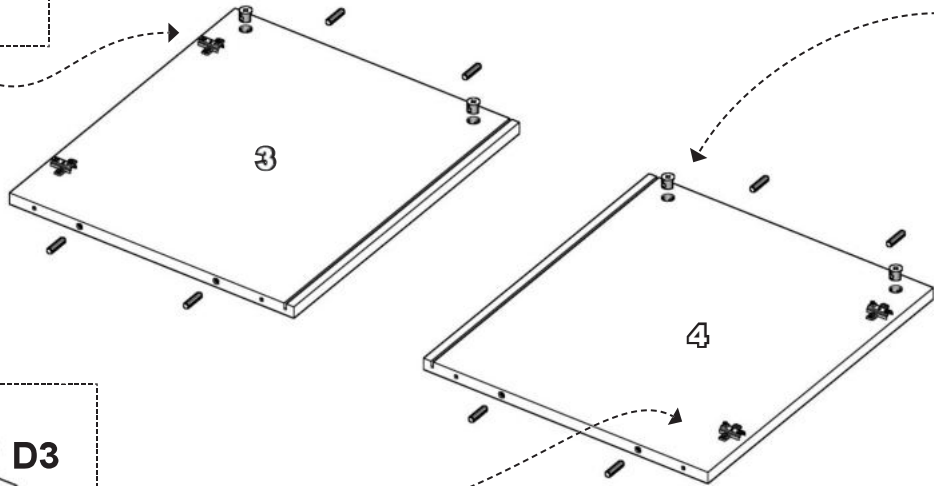
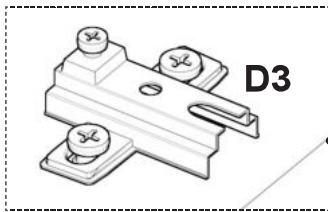
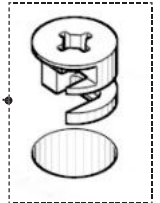
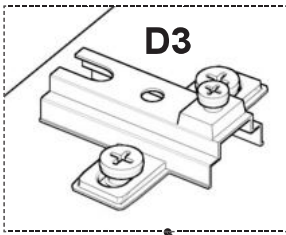
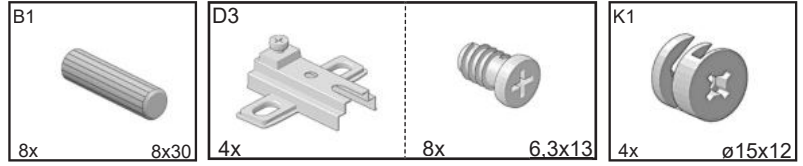


REP	DIM	QTE	package
1	1996 x 401 x 16	1	1/1
2	1996 x 401 x 16	1	1/1
3	376 x 400 x 16	1	1/1
4	376 x 400 x 16	1	1/1
5	376 x 385 x 16	1	1/1
6	376 x 385 x 16	1	1/1
7	376 x 385 x 16	1	1/1
8	494,6 x 404,3 x 16	4	fronty
9	1974 x 388 x 2,5	1	1/1

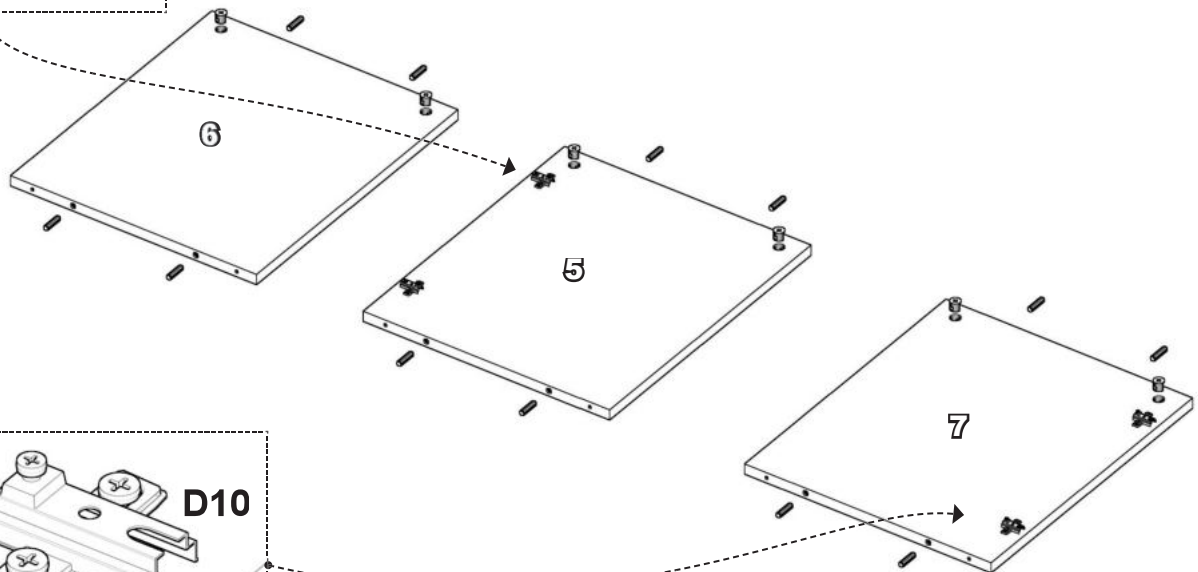
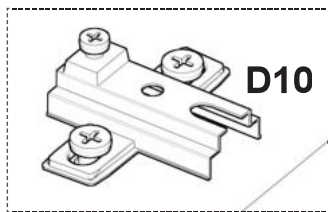
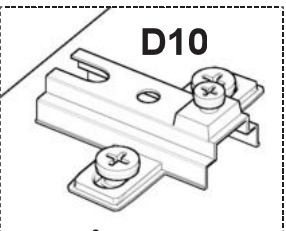
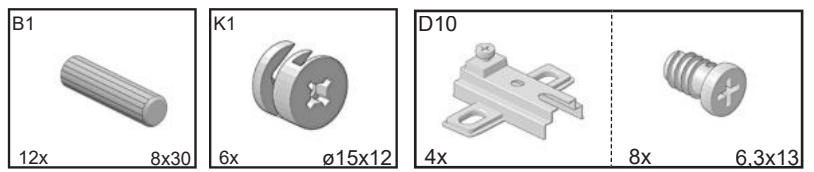
RAVENNA - RTV 4D

RAVENNA RTV 4D - 05062022

1



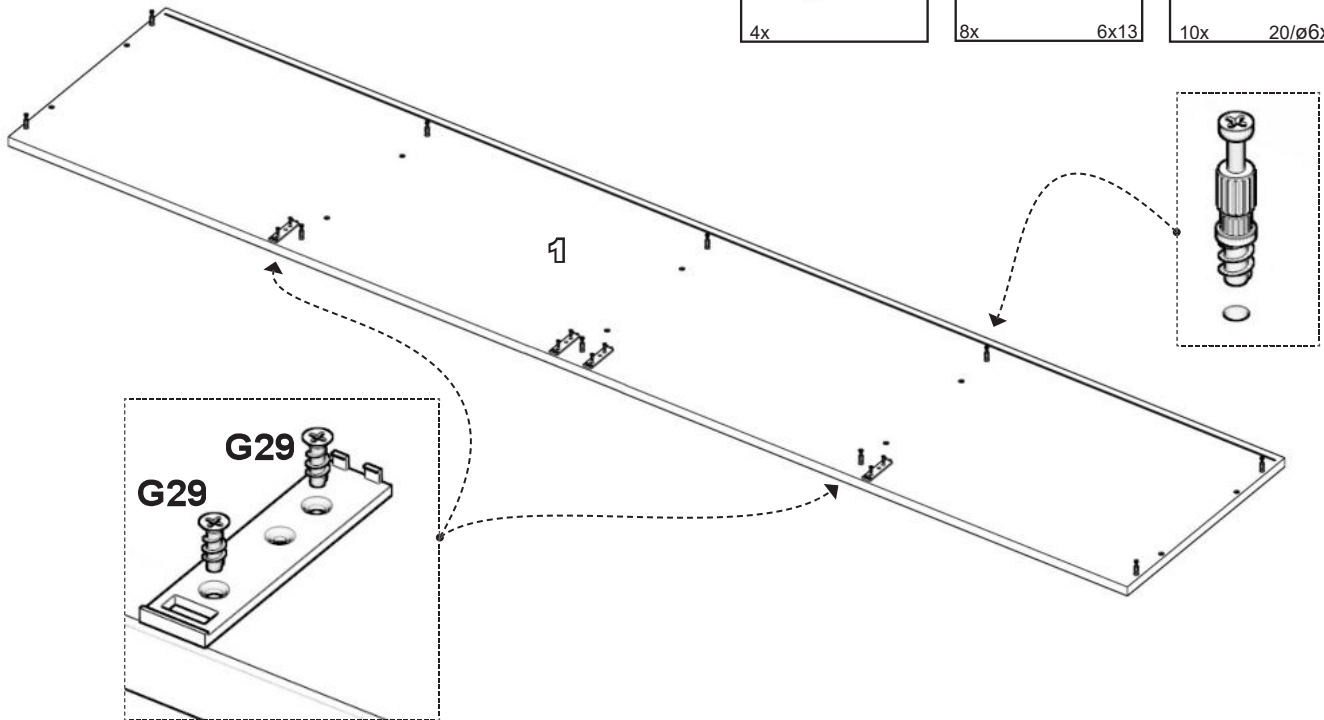
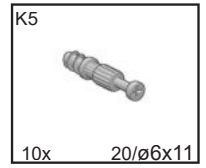
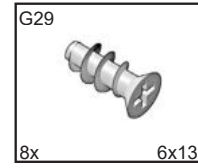
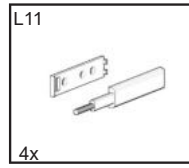
2



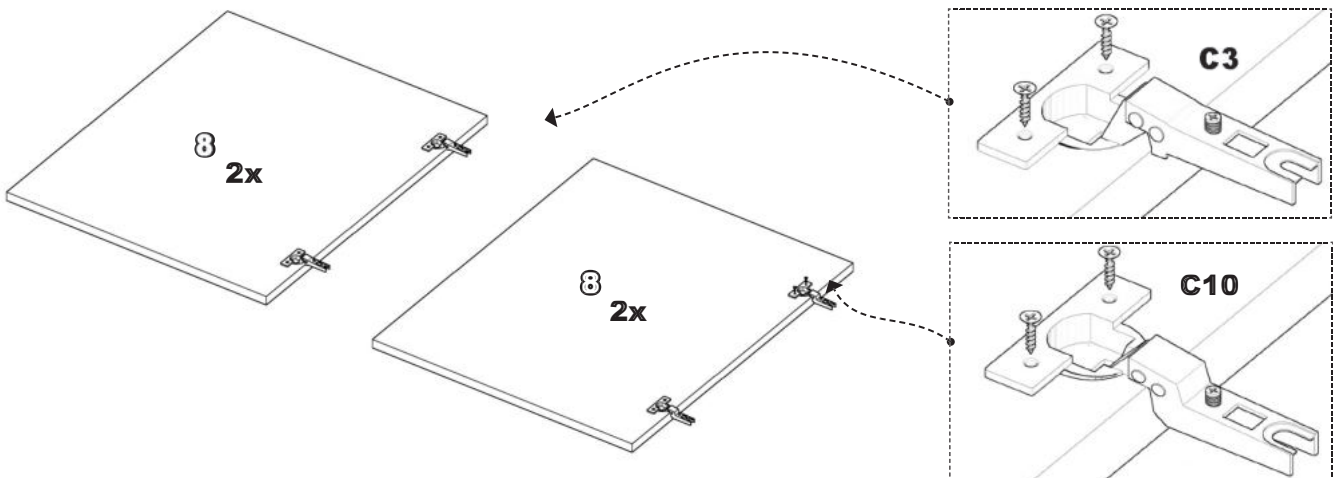
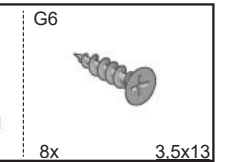
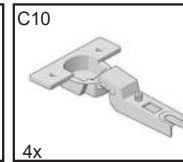
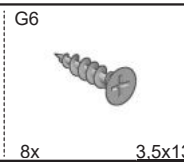
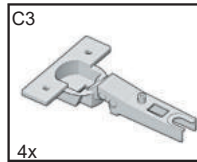
RAVENNA - RTV 4D

RAVENNA RTV 4D - 05062022

3



4



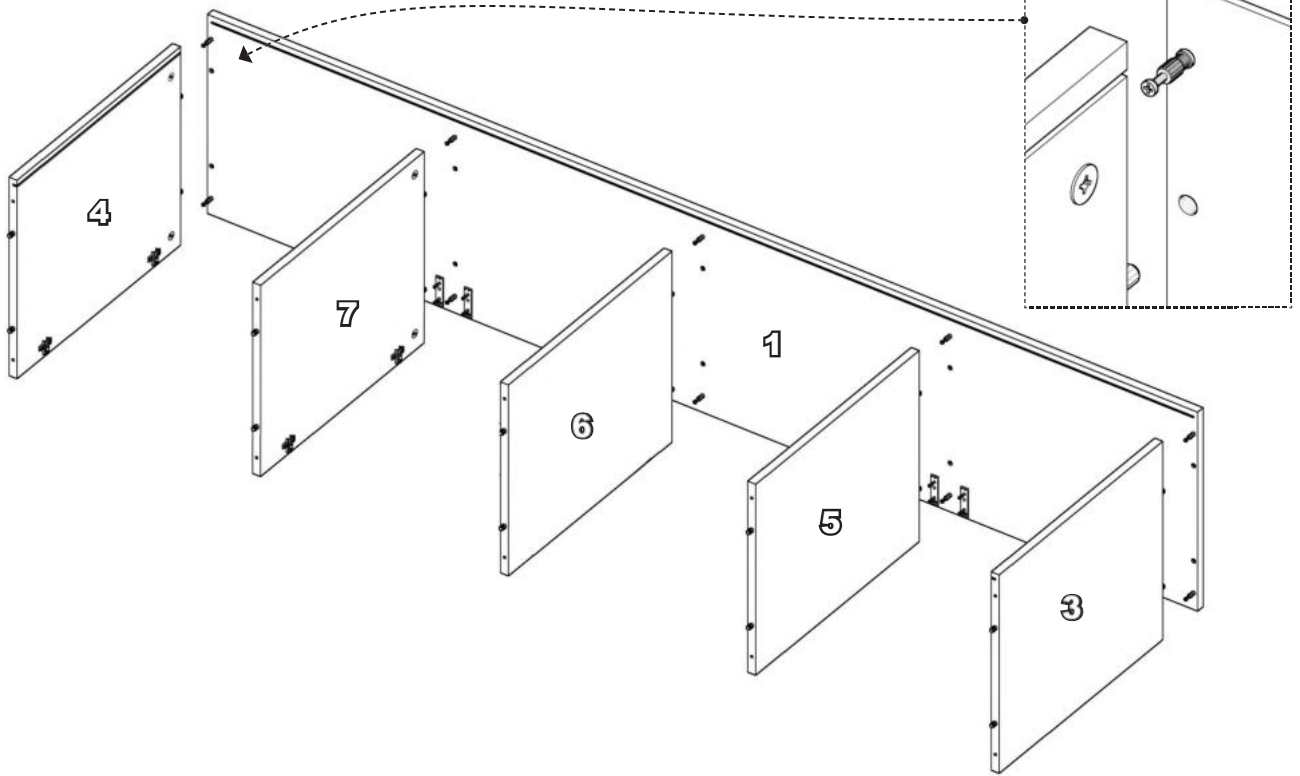
$$8 + C3 = 8z$$

$$8 + C10 = 8s$$

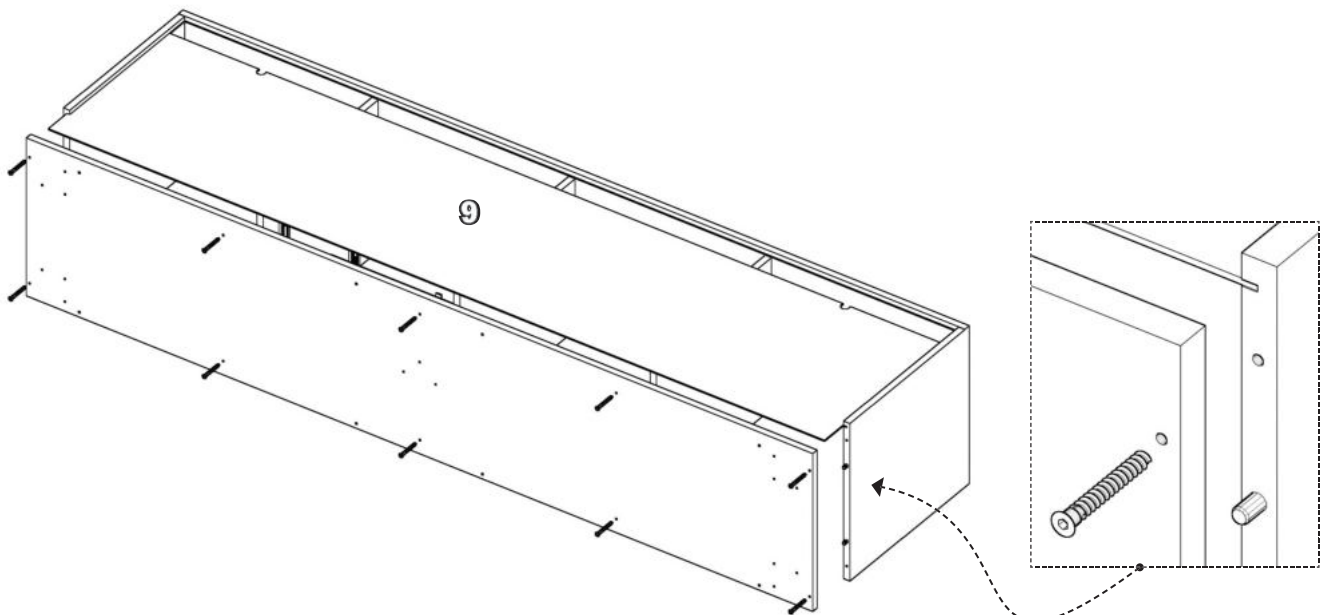
RAVENNA - RTV 4D

RAVENNA RTV 4D - 05062022

5



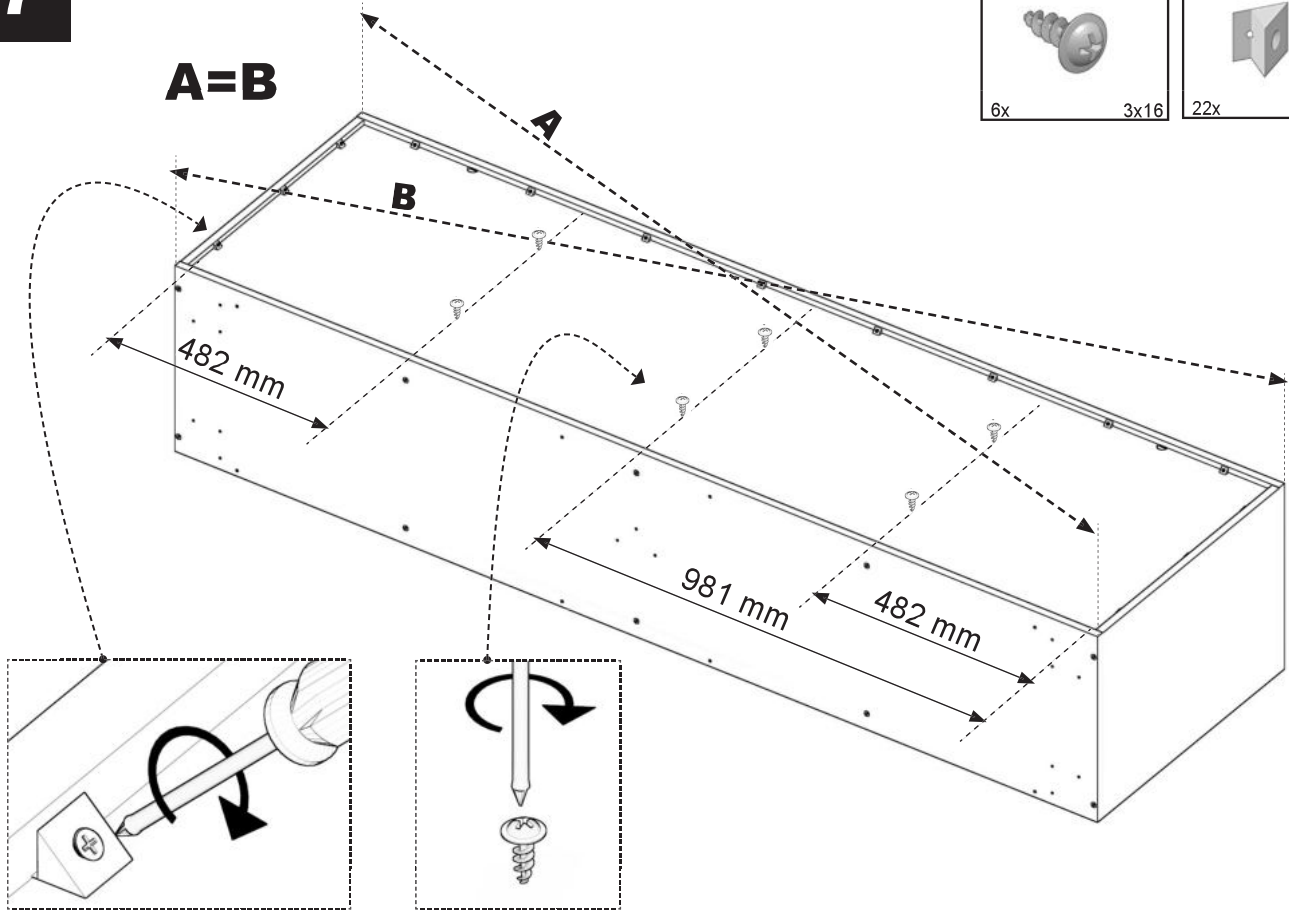
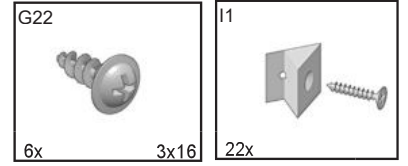
6



RAVENNA - RTV 4D

RAVENNA RTV 4D - 05062022

7

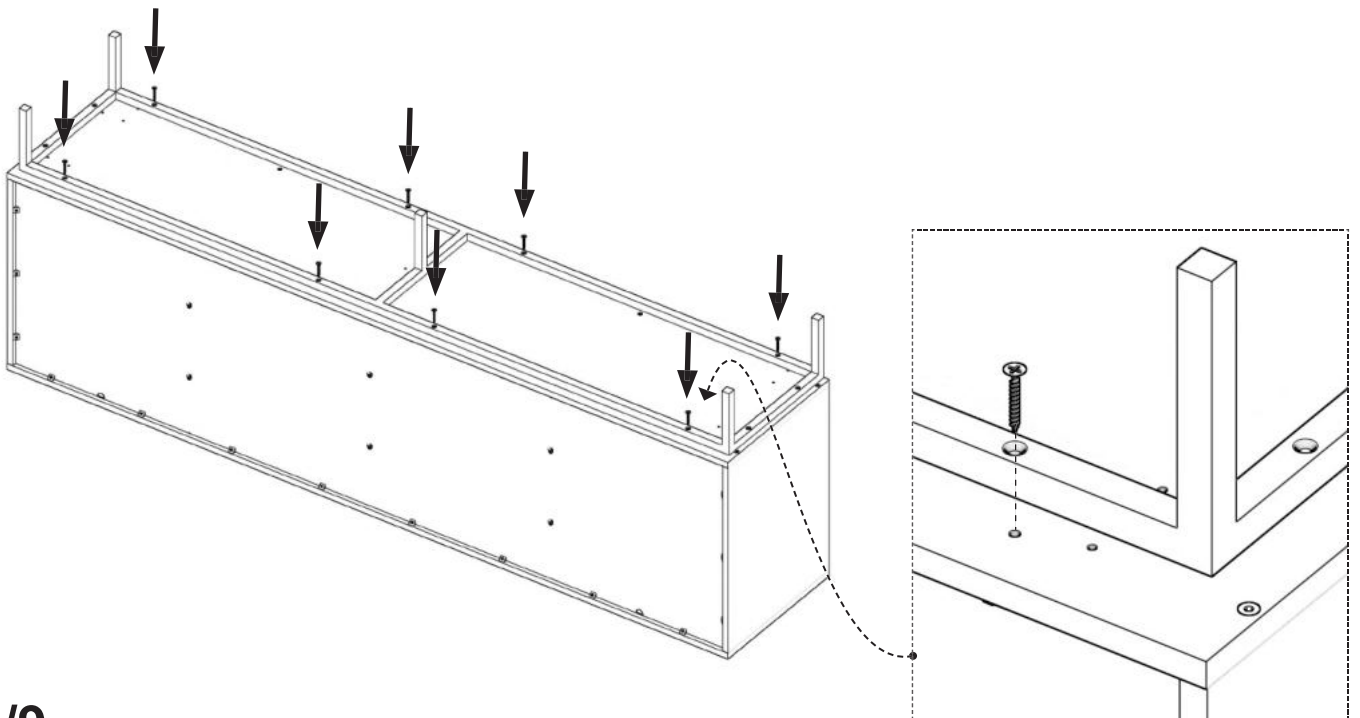
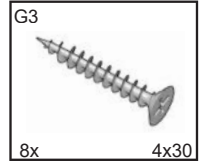


8

VER 1.

VER 2. →

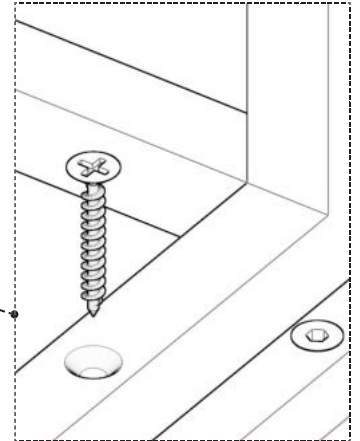
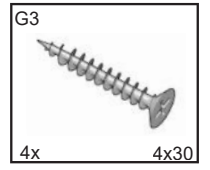
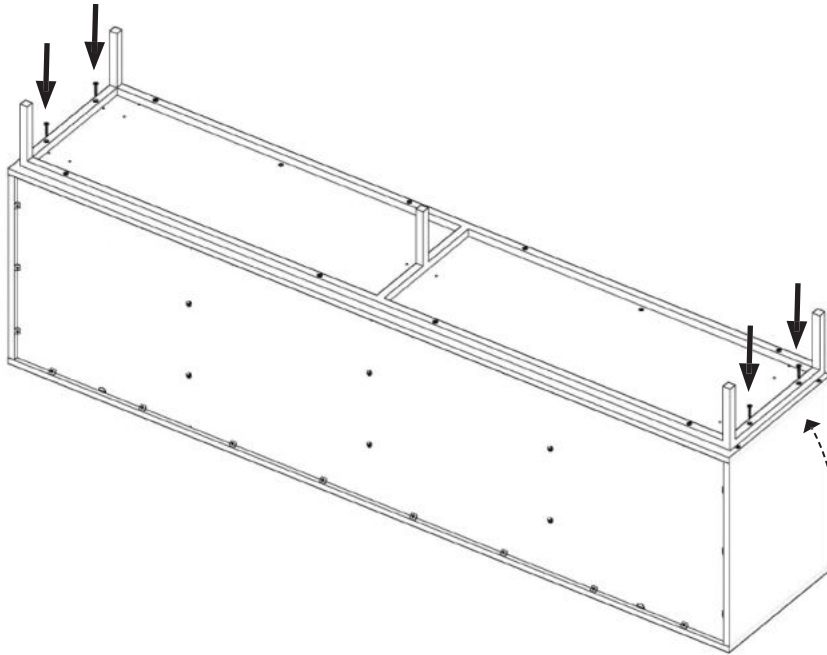
10



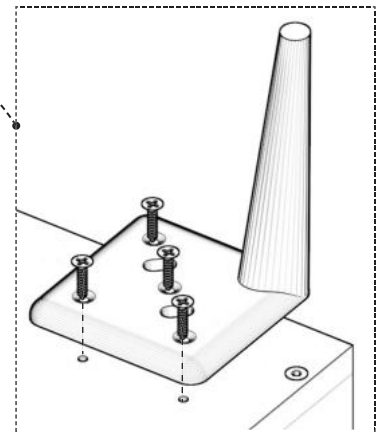
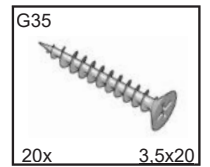
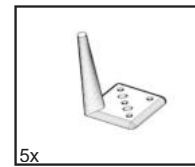
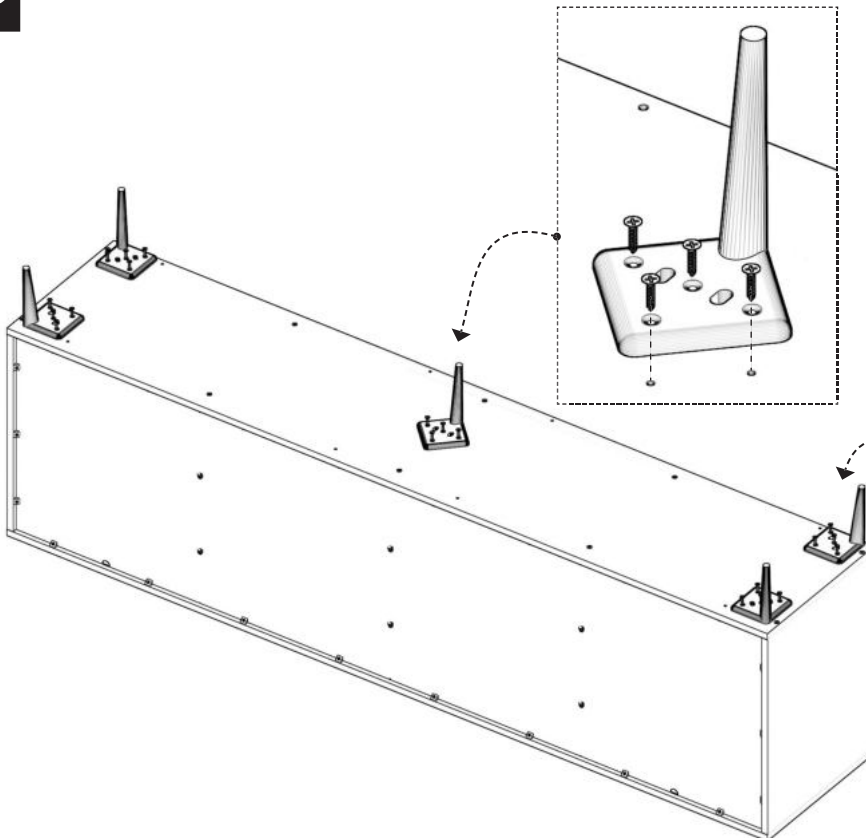
RAVENNA - RTV 4D

RAVENNA RTV 4D - 05062022

9



10 VER 2.



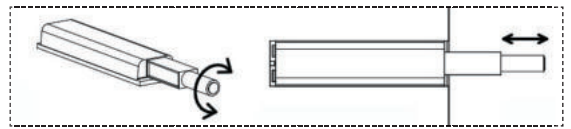
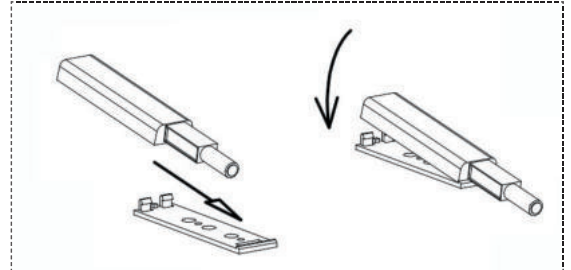
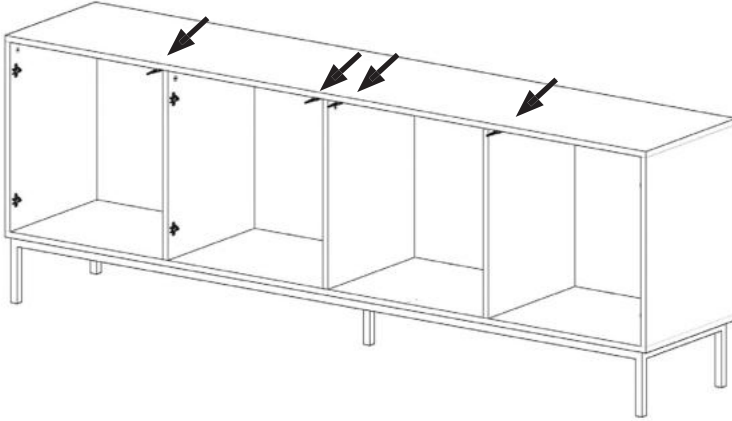
RAVENNA - RTV 4D

RAVENNA RTV 4D - 05062022

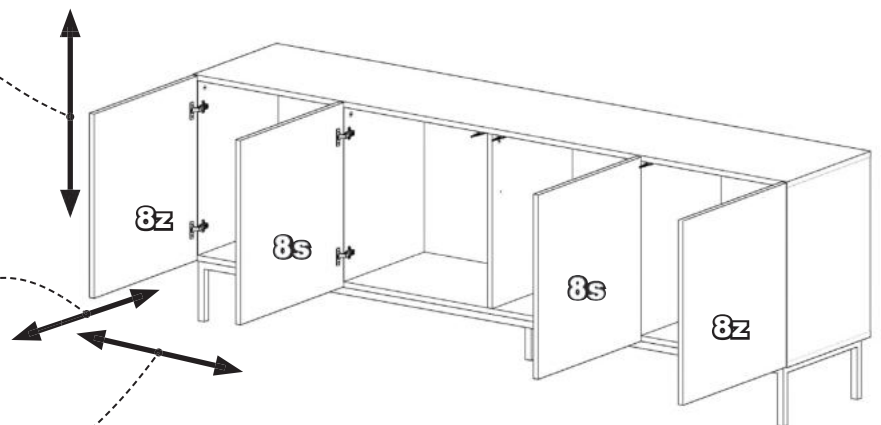
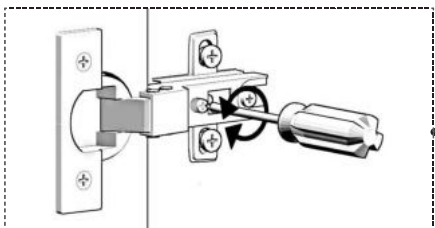
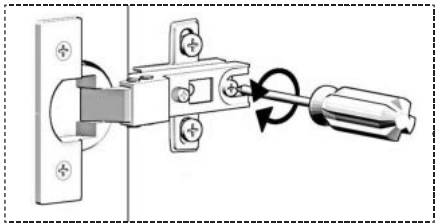
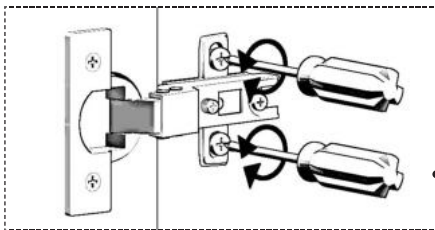
11

L11

4x



12



8/9

RAVENNA - RTV 4D

RAVENNA RTV 4D - 05062022

13

