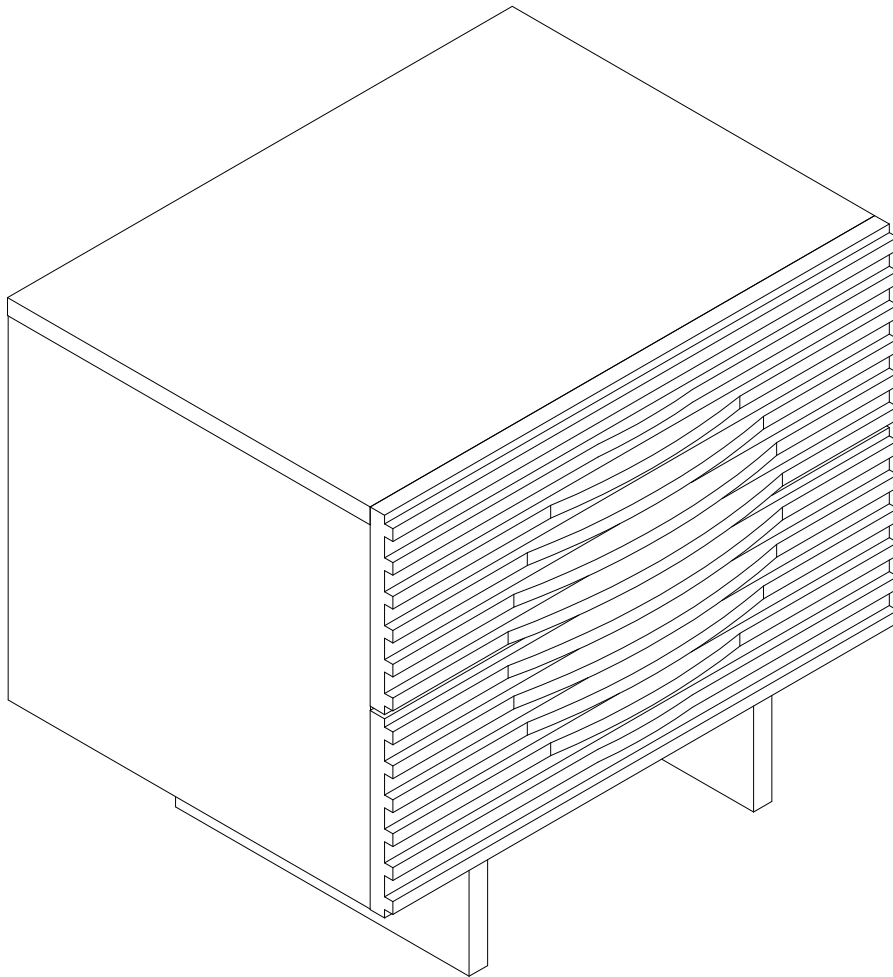
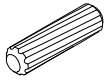
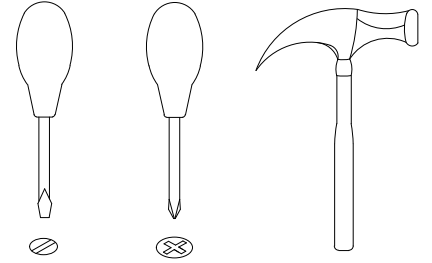
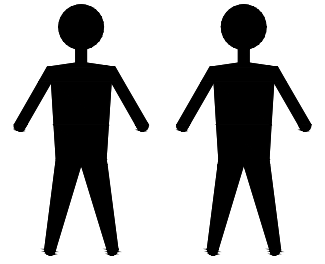


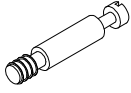
CPM4993



CPM4993



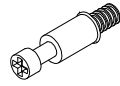
A x12
Spec: $\varnothing 8 \times 30$



B x8
Spec: $\varnothing 7 \times L30$



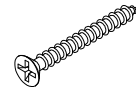
C x8
Spec: $\varnothing 15 \times H12$



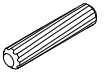
D x8
Spec: $\varnothing 6 \times L28$



E x8
Spec: $\varnothing 12 \times H9$



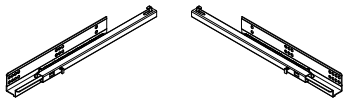
F x8
Spec: $\varnothing 3.5 \times L35$



G x8
Spec: $\varnothing 6 \times 30$



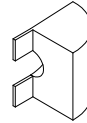
H x12
Spec: $\varnothing 6 \times L9$



I x2
Spec: L350



J x6
Spec: $\varnothing 3.5 \times L16$



K x6
Spec: H13



L x8
Spec: $3.8 \times L16$



M x1
Spec: 10g



N x16
Spec:



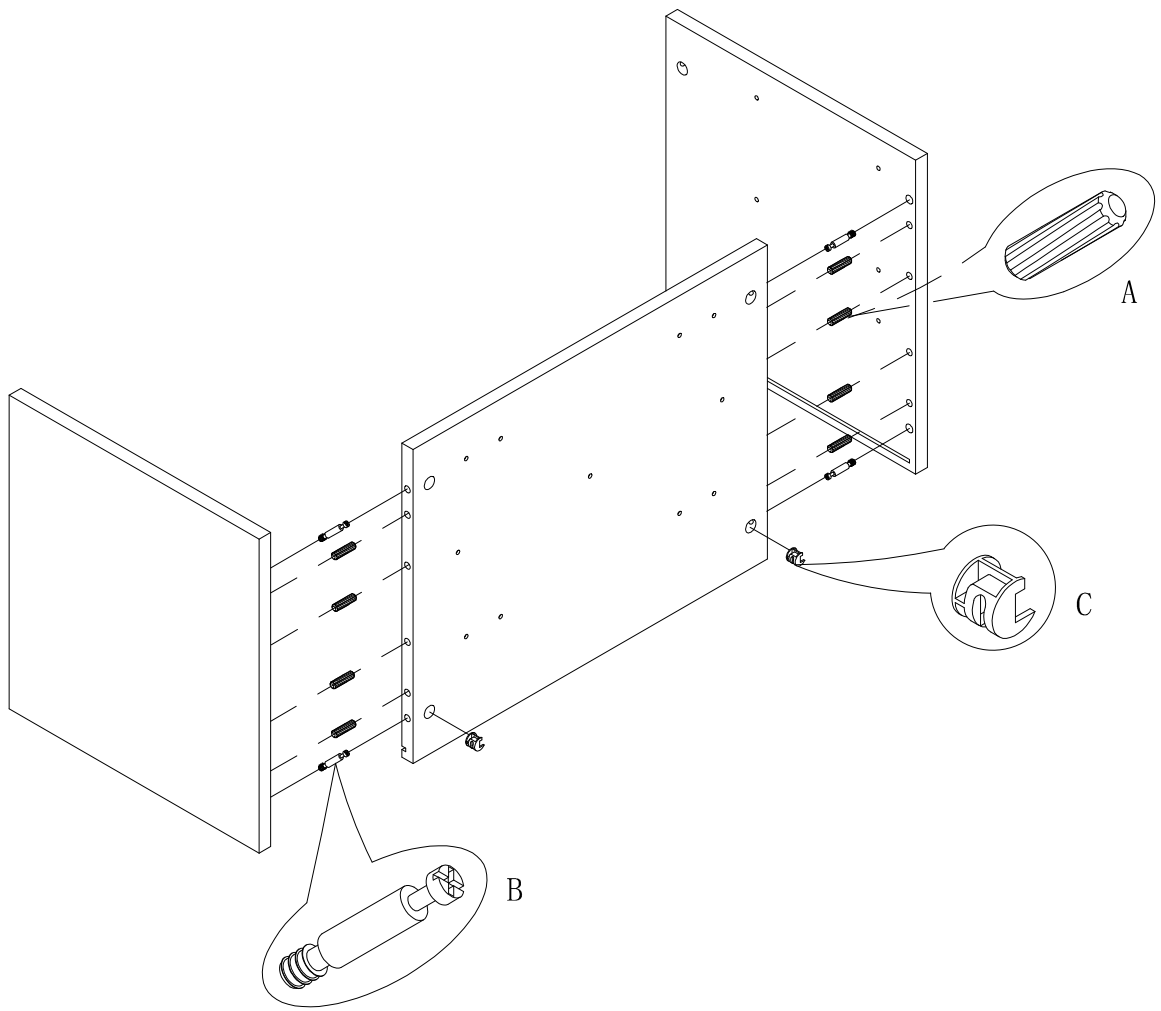
O x4
Spec: 30×15



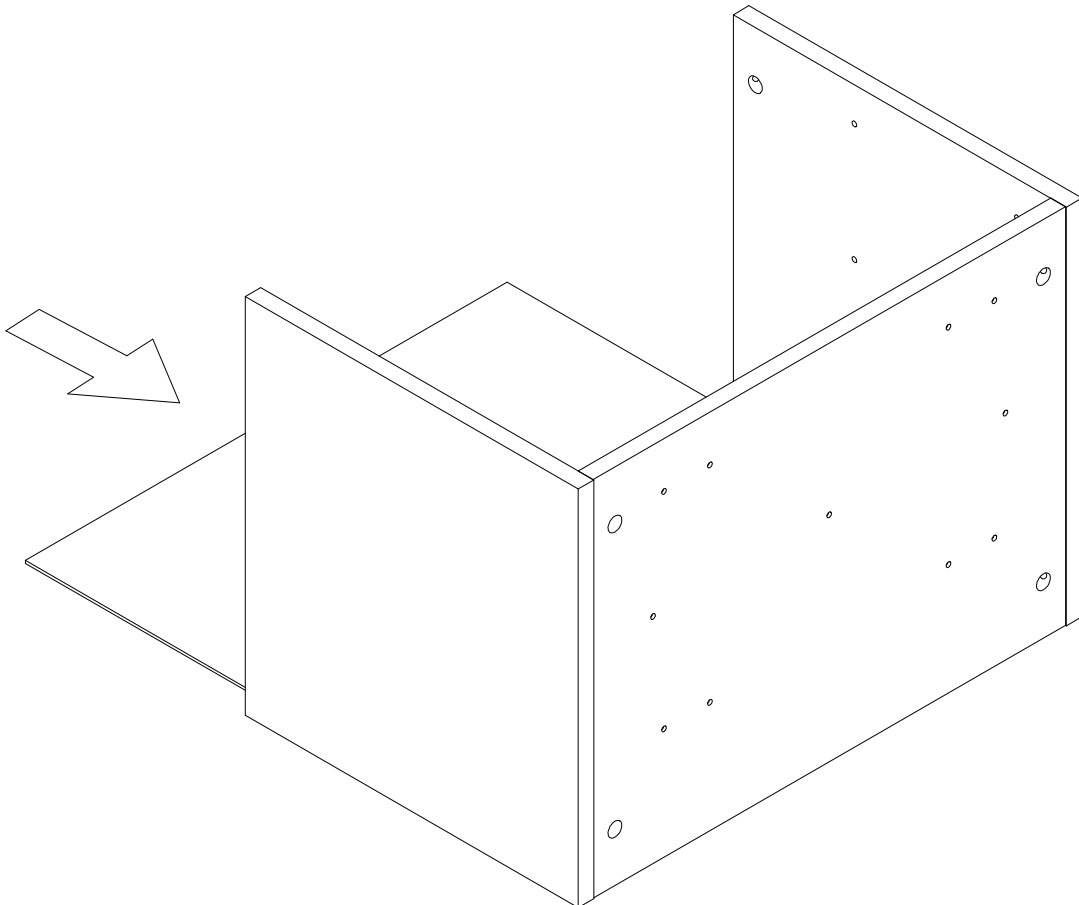
P x3
Spec: $\varnothing 3.5 \times 50$

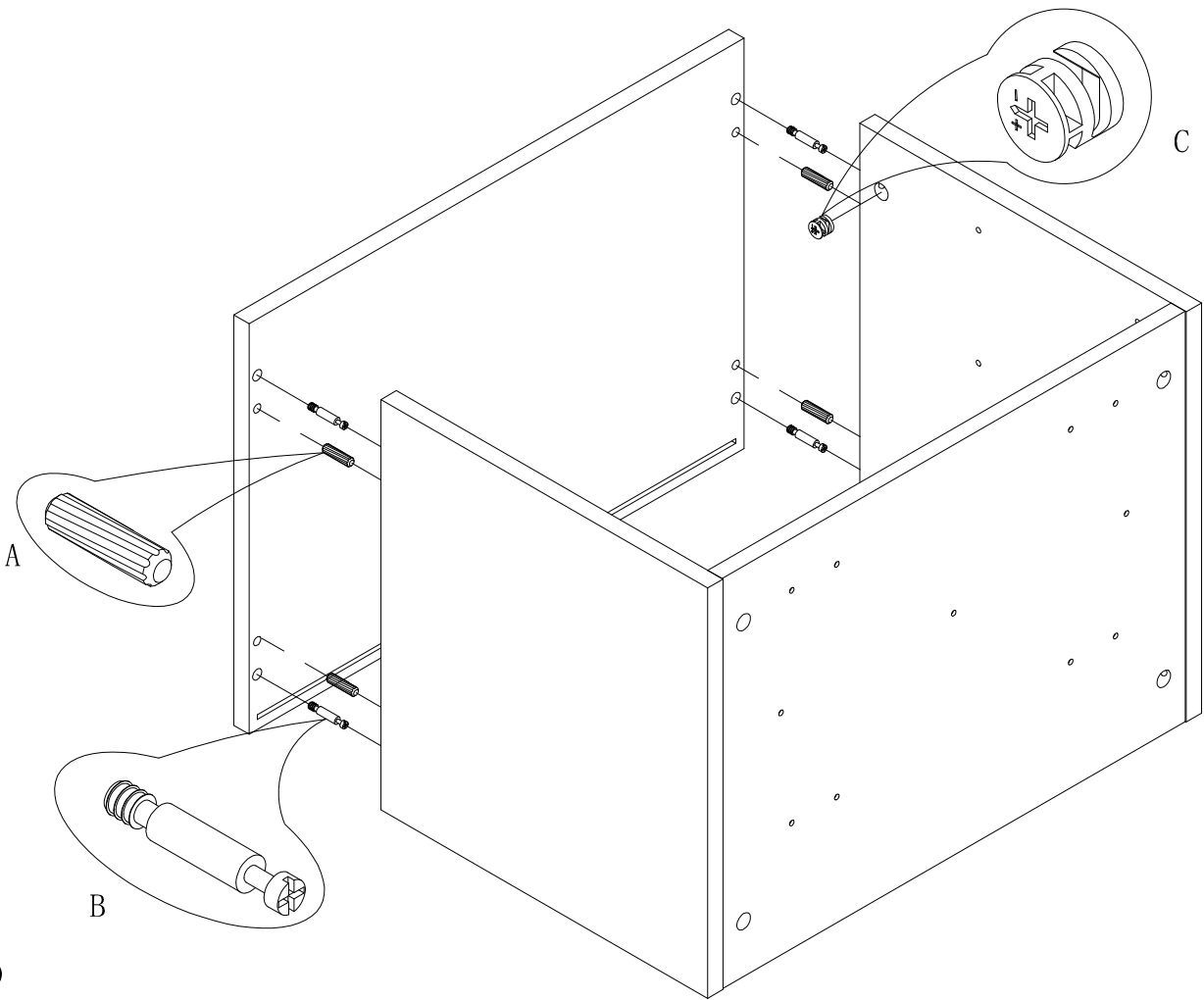


AAA x8
Spec: $\varnothing 3.8 \times L12$

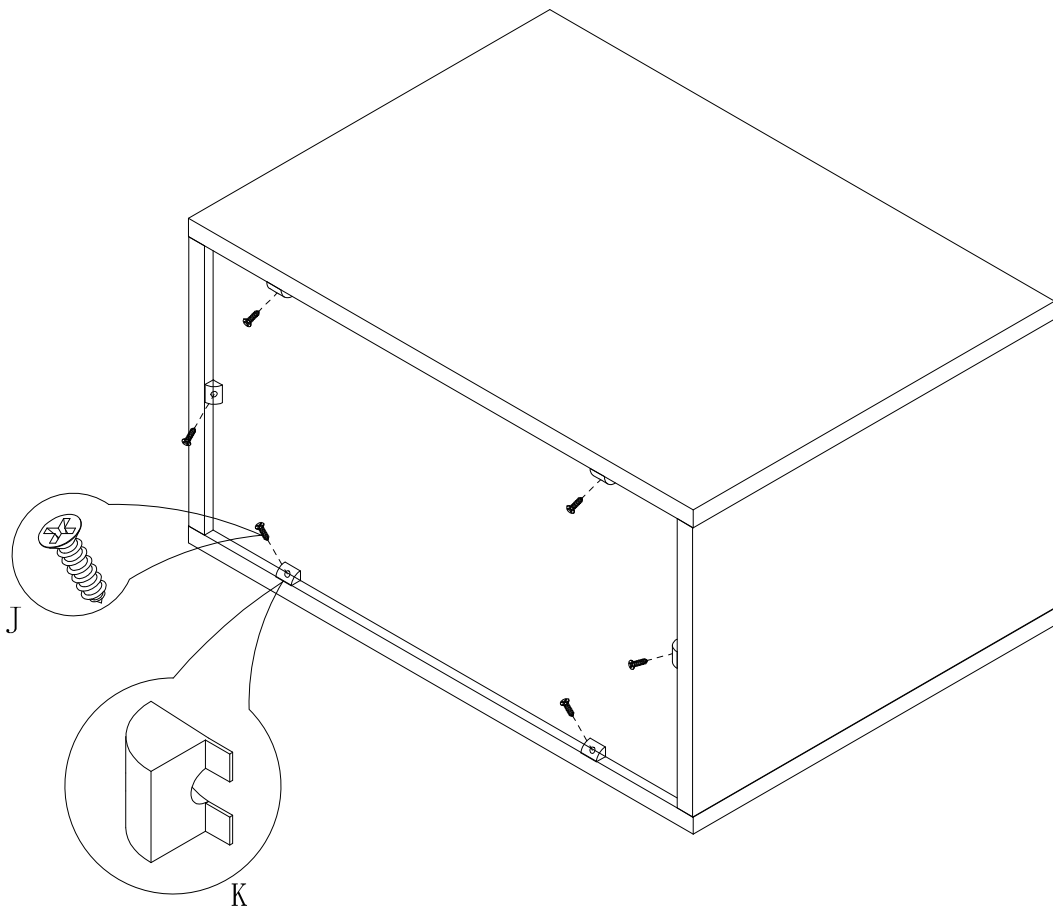


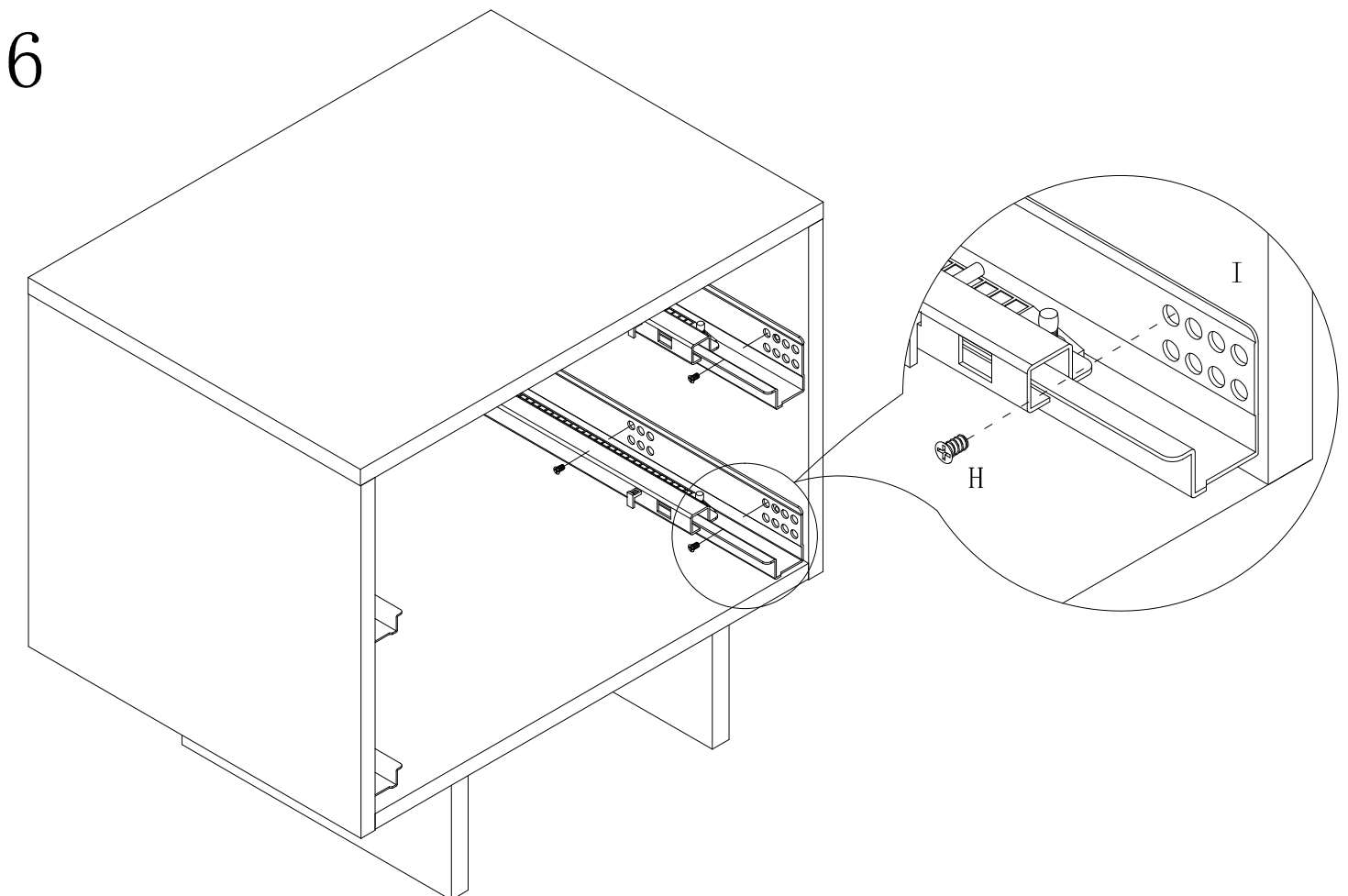
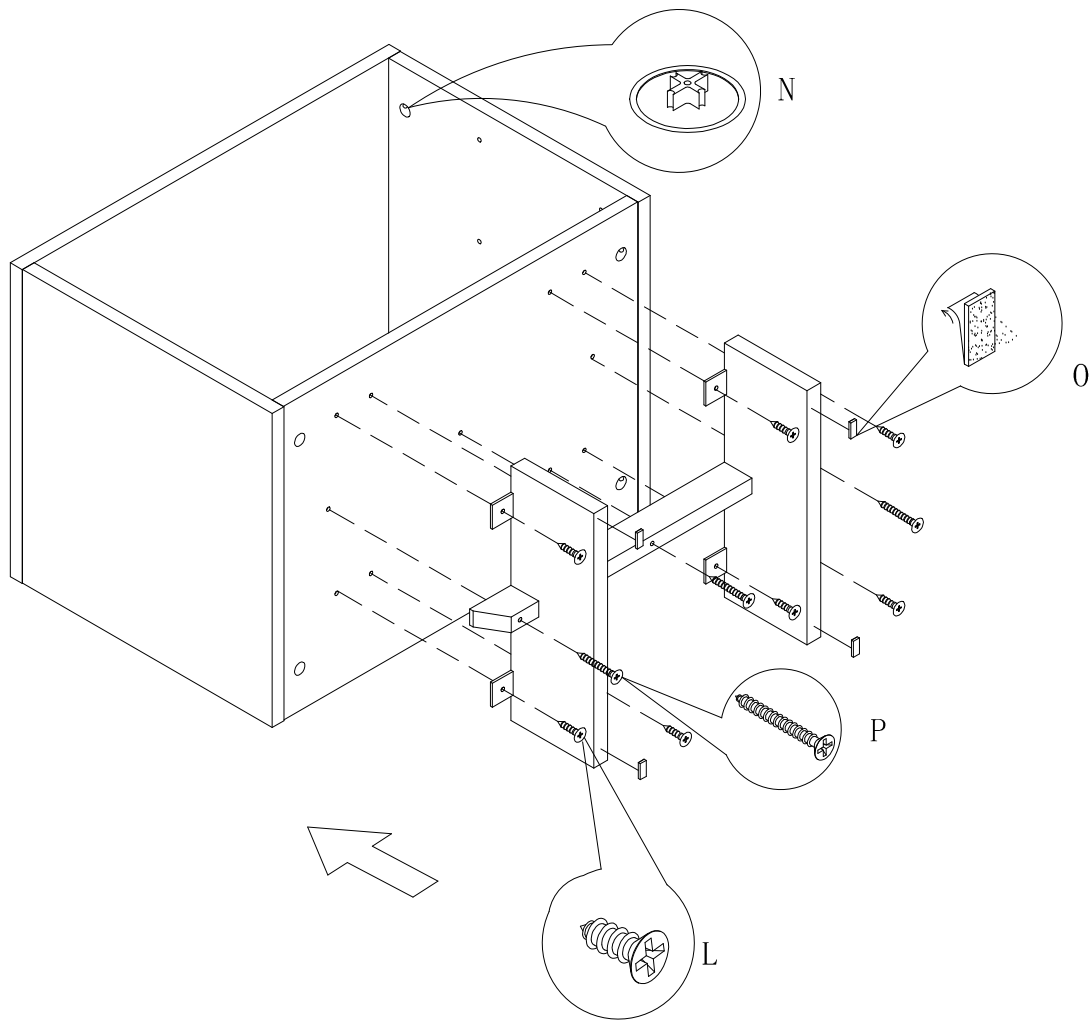
2

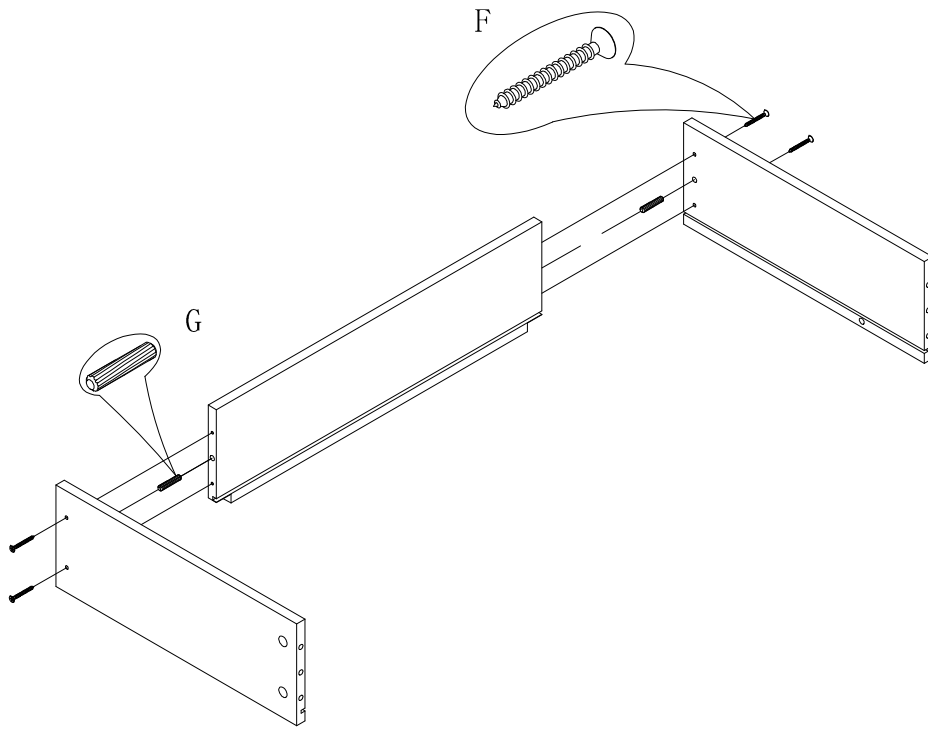




4

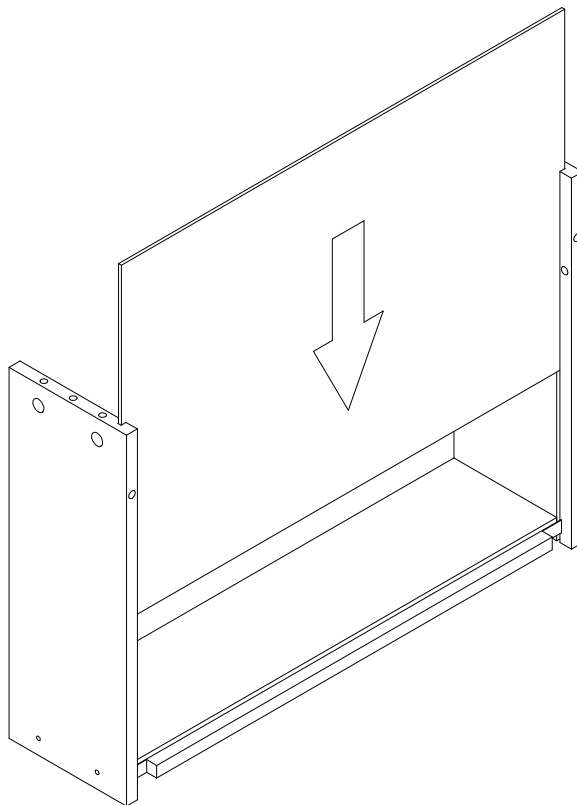


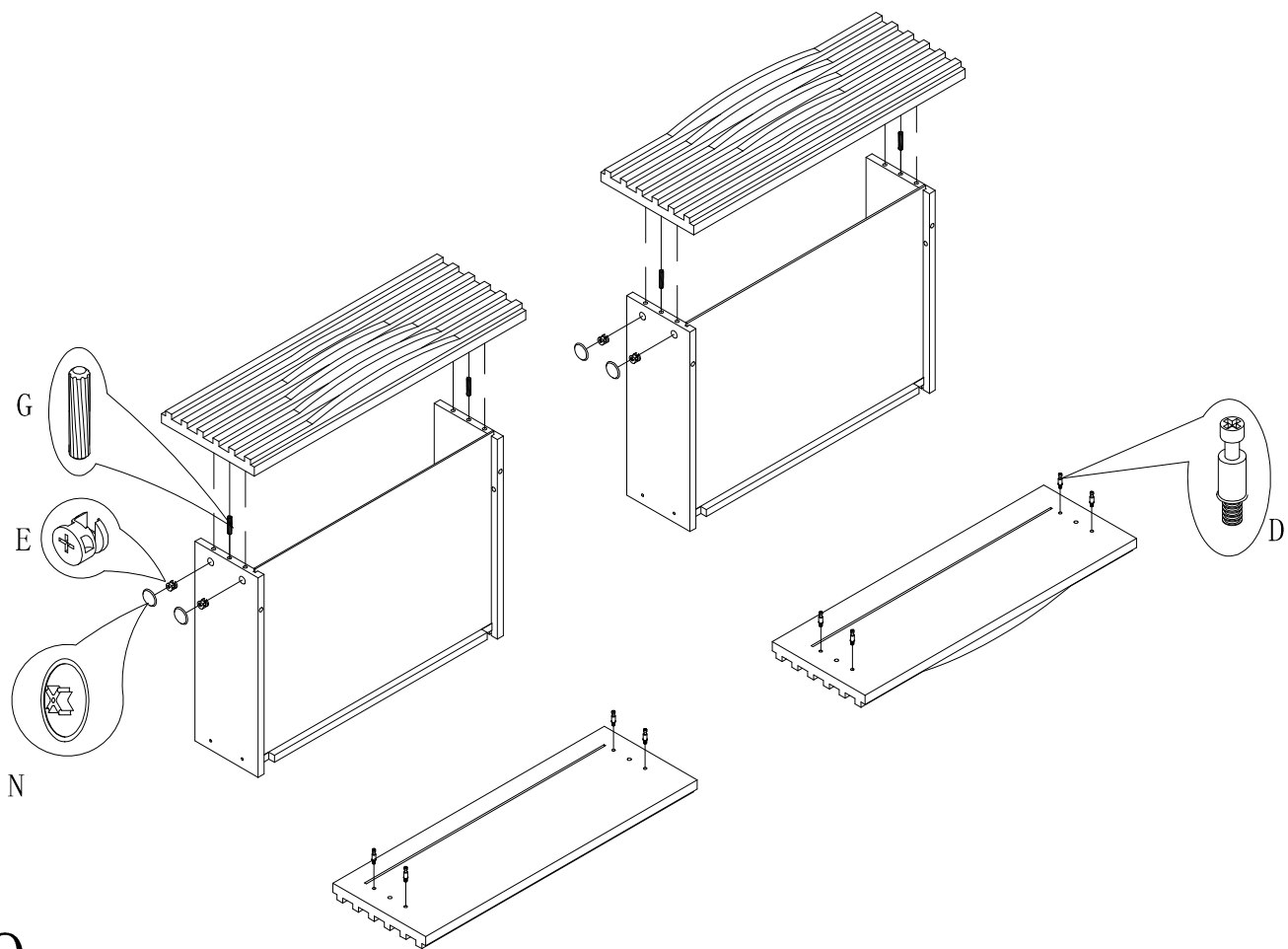




7

8





9

10

