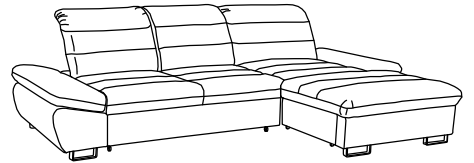
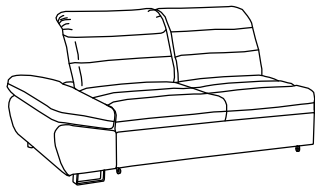


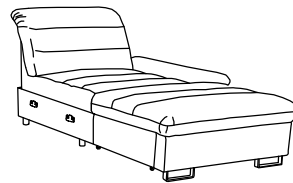
VERSION - R



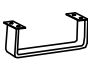



VERSION - L



3FBL



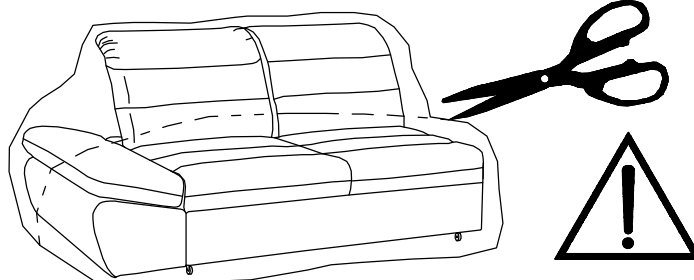
OSBP

	M6.0x40mm 		M6.0x60mm 
A	B	C	D
3	12	5	5



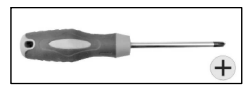
1

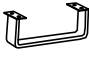

3FBL

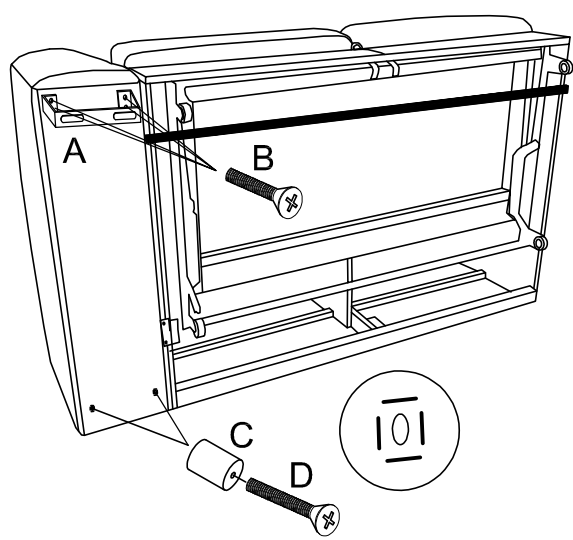


2

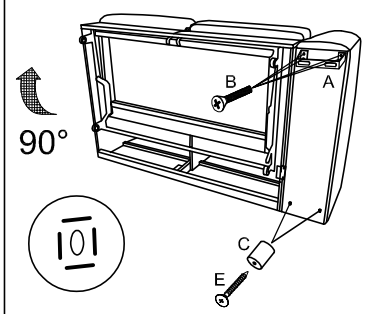
3FBL



	M6.0x40mm
A	B
1	4
	M6.0x60mm
C	D
2	2

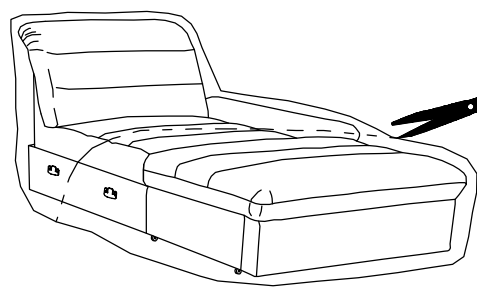


3FBP



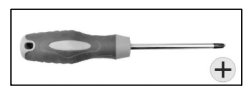
3

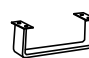

OSBP

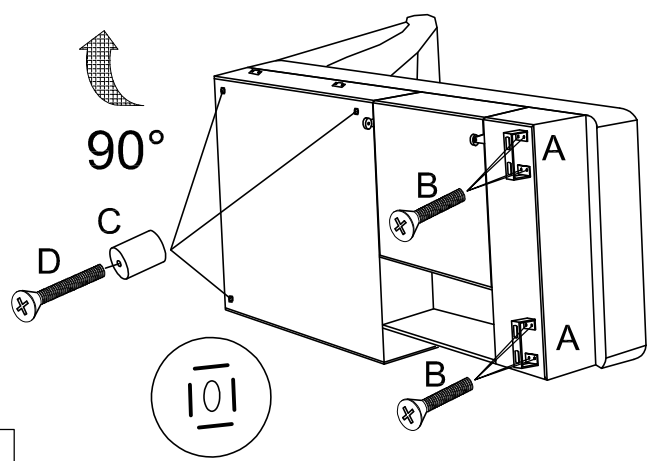


4

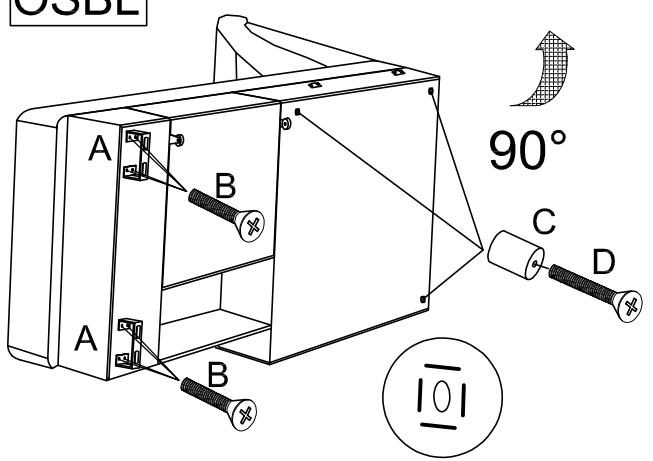
OSBP



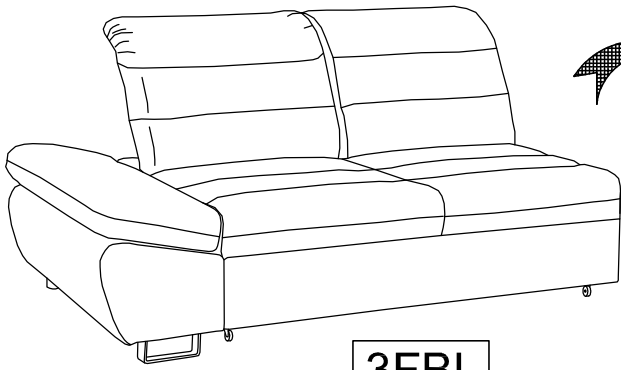
	M6.0x40mm
A	B
2	8
	M6.0x60mm
C	D
3	3



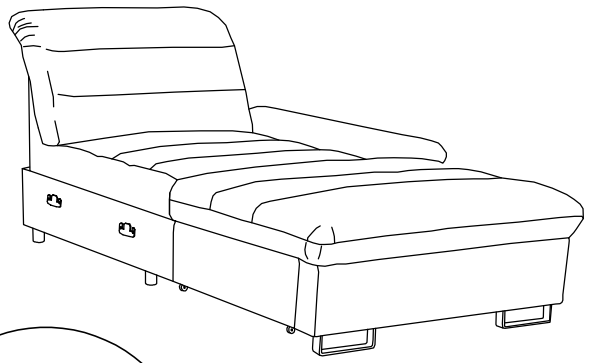
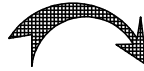
OSBL



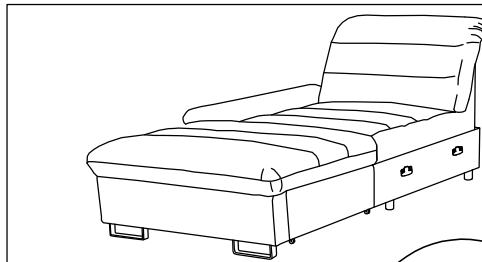
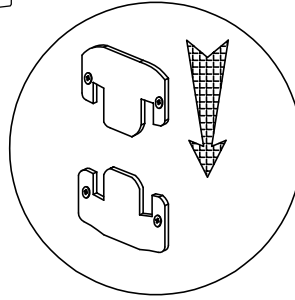
5



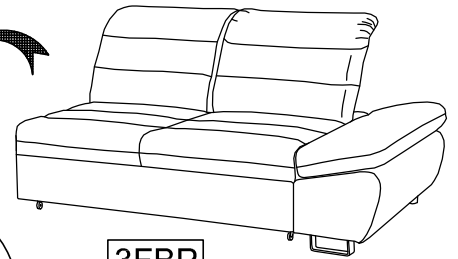
3FBL



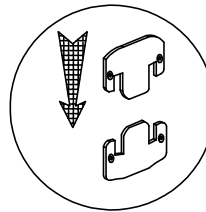
OSBP



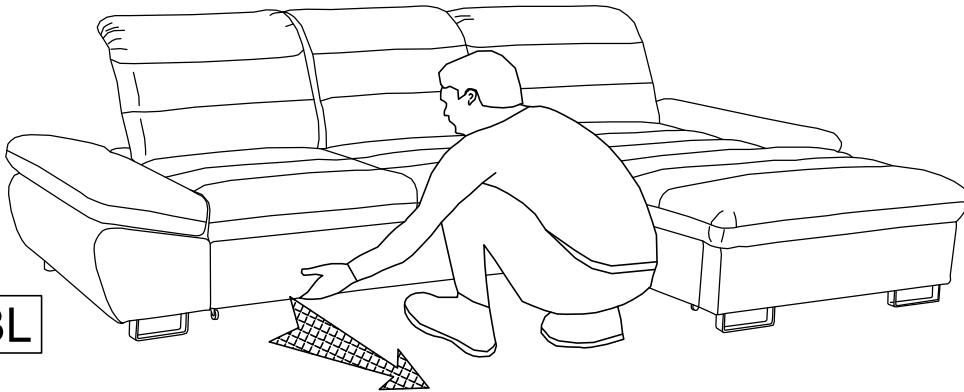
OSBL



3FBP

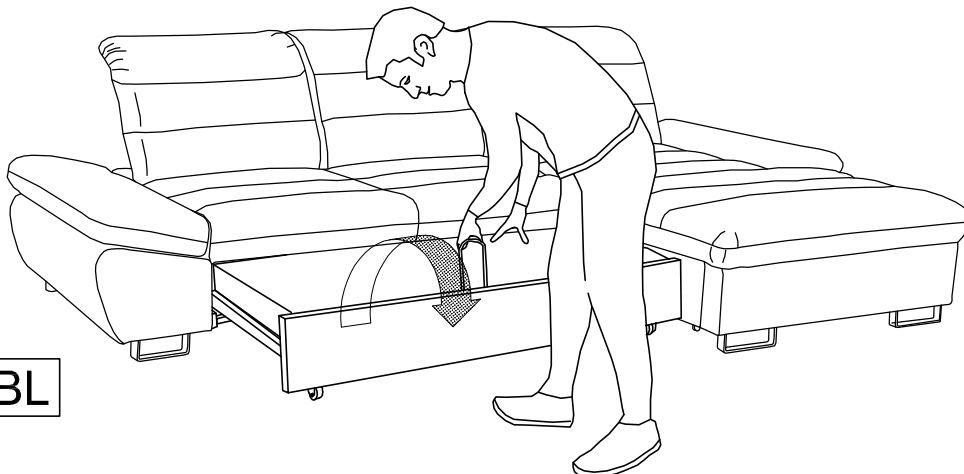


6



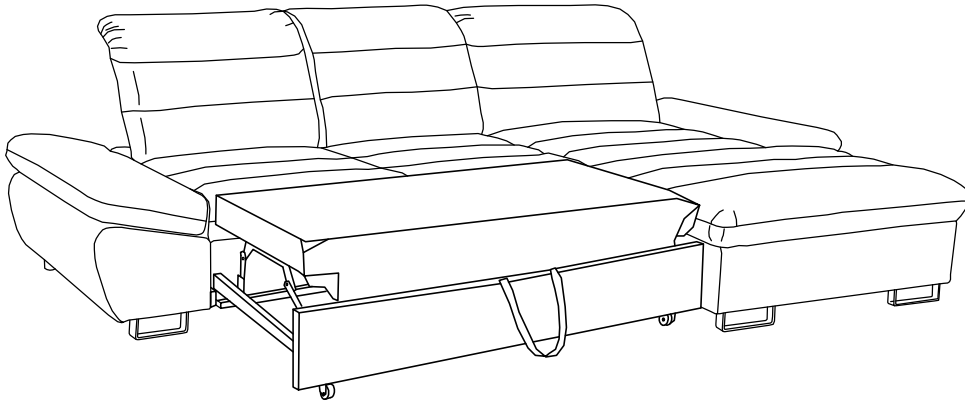
3FBL

7

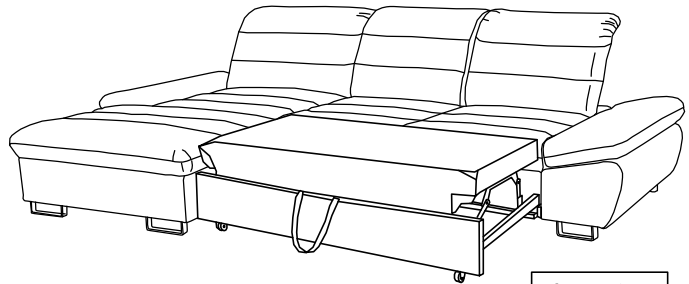


3FBL

8

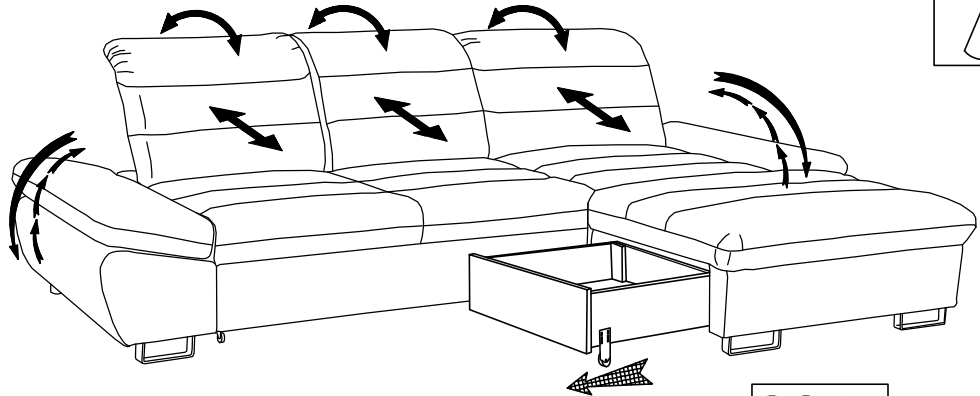


3FBL

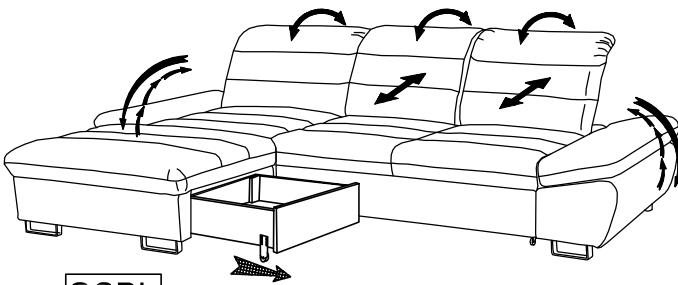


3FBP

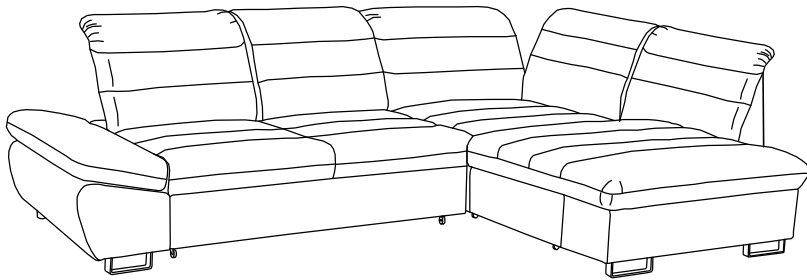
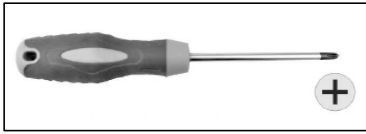
9



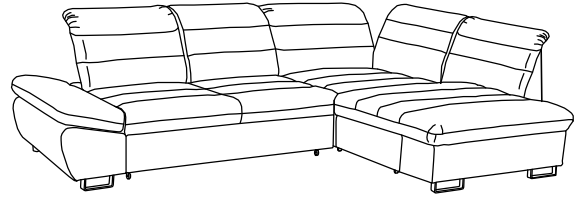
OSBP



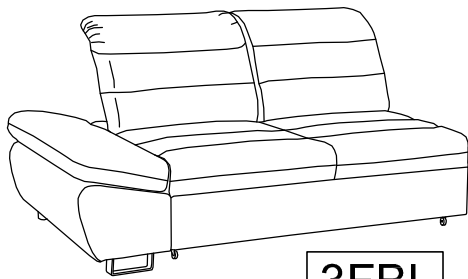
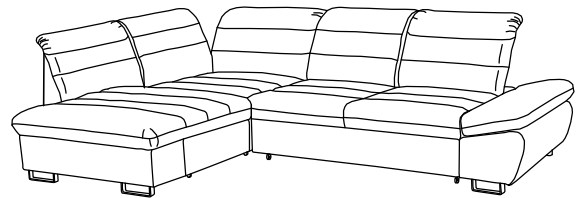
OSBL



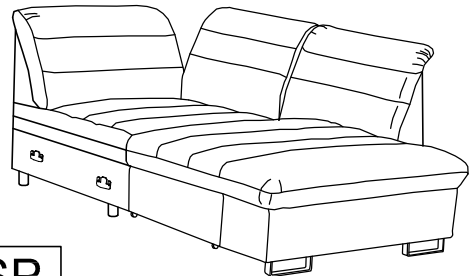
VERSION - R



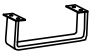



VERSION - L



3FBL

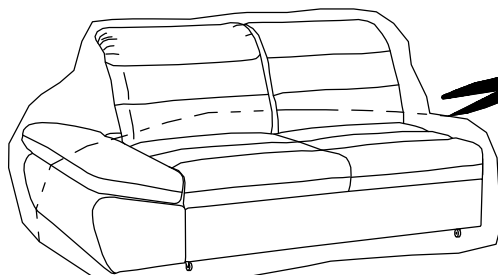


OSP

	M6.0x40mm 		M6.0x60mm 
A 3	B 12	C 5	D 5

1

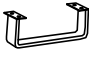



3FBL

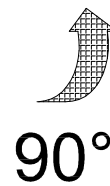
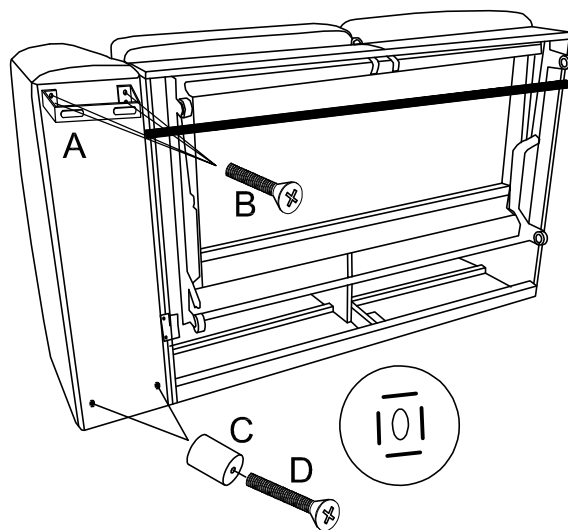


2

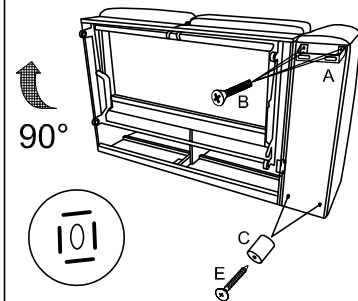
3FBL



	M6.0x40mm
A	
1	4
	M6.0x60mm
C	
2	2

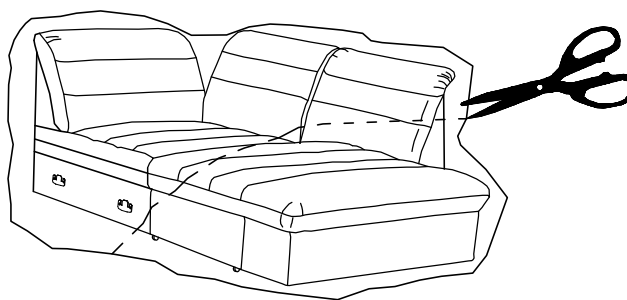


3FBP



3

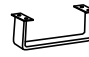



OSP

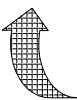
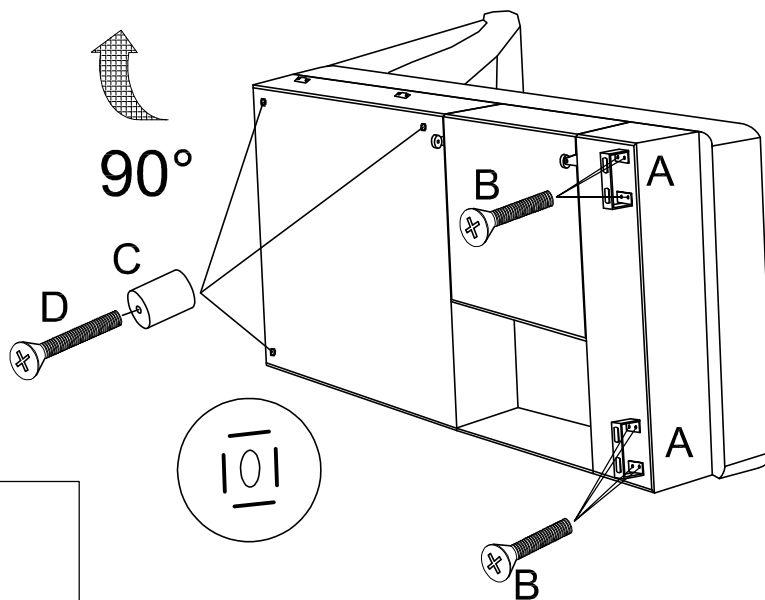


4

OSP

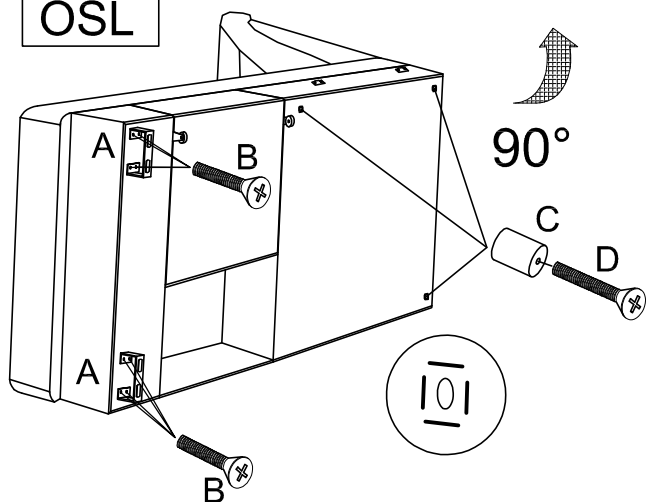


	M6.0x40mm
A	
2	4
	M6.0x60mm
C	
3	3



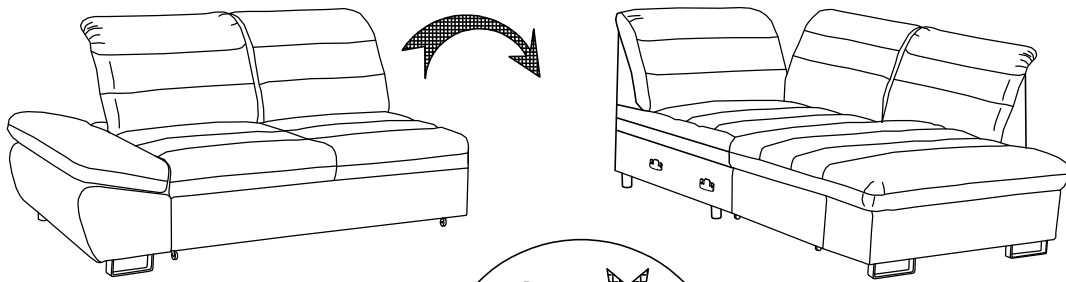
90°

OSL



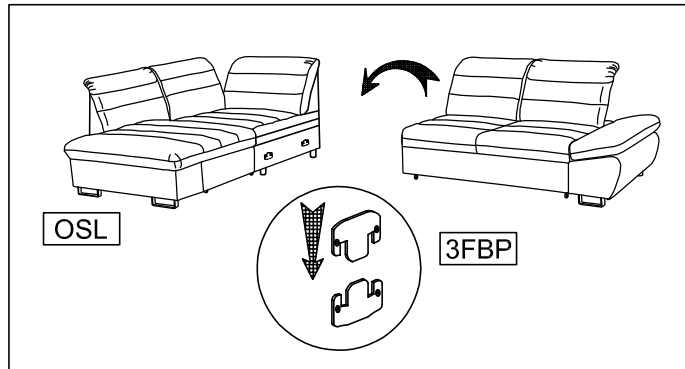
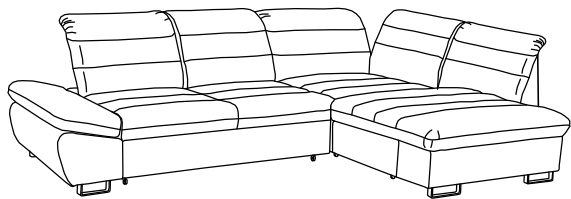
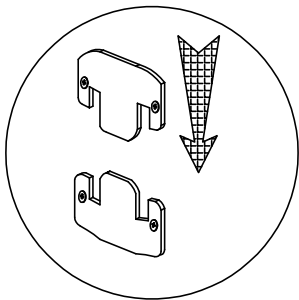
90°

5



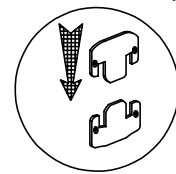
3FBL

OSP

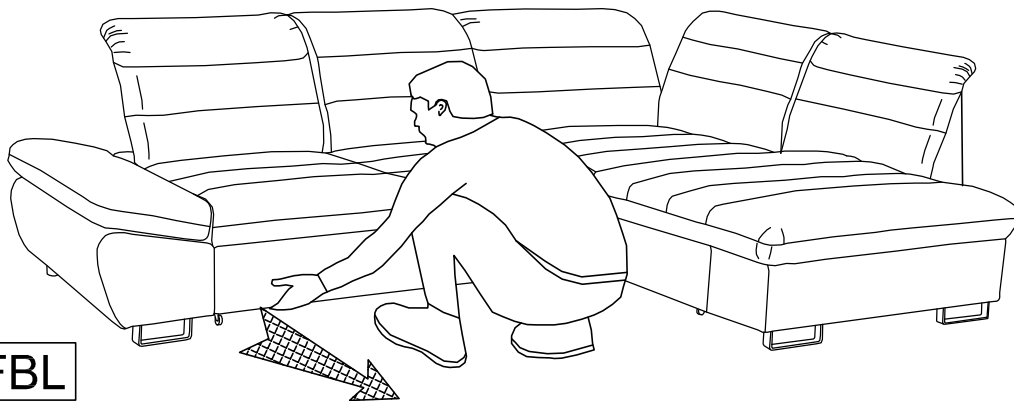


OSL

3FBP

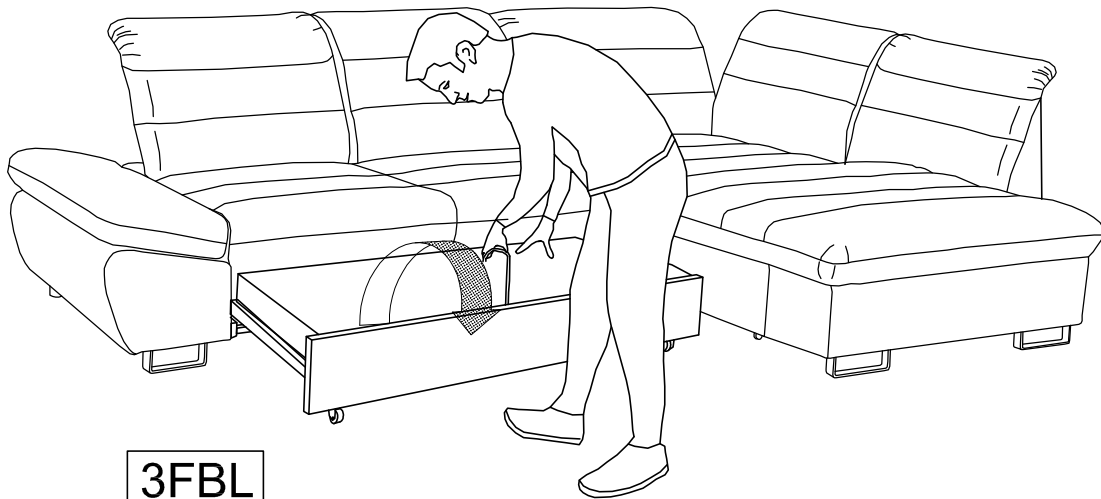


6



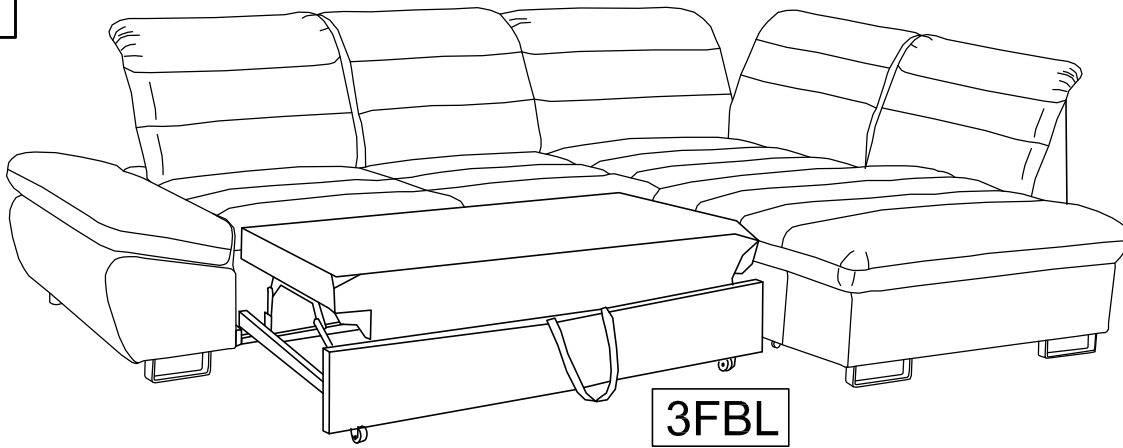
3FBL

7

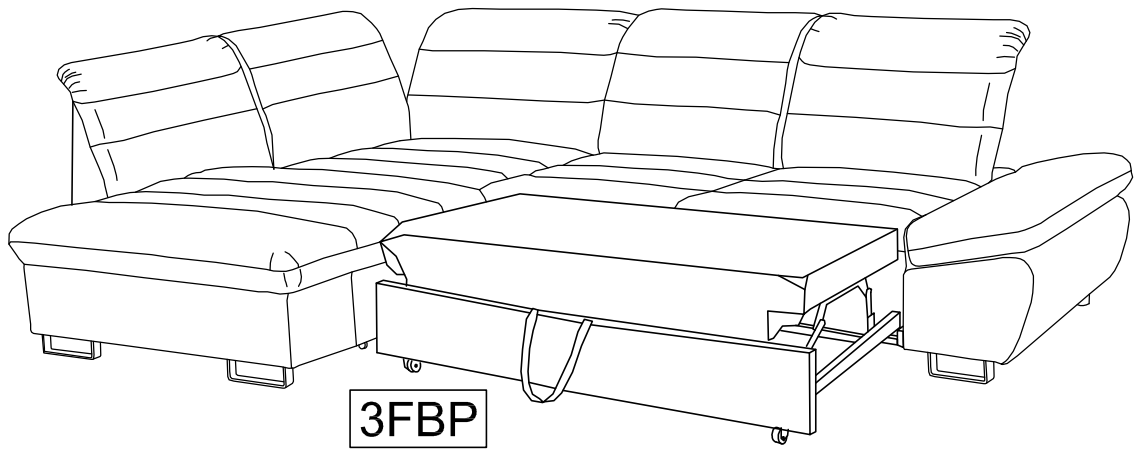


3FBL

8

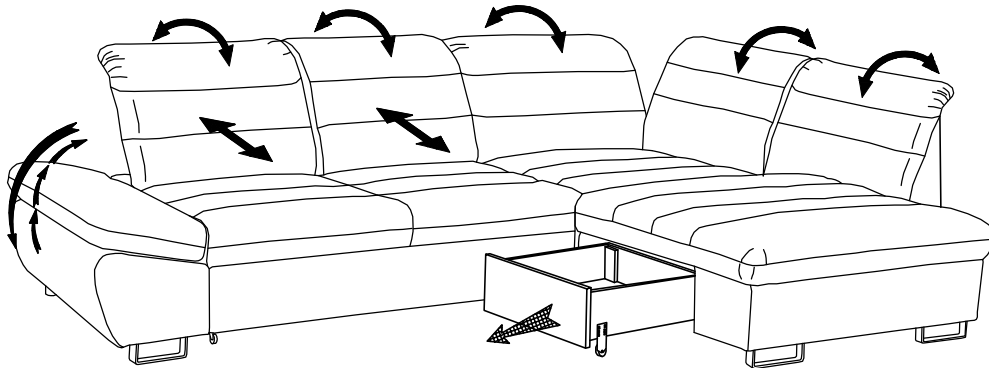


3FBL

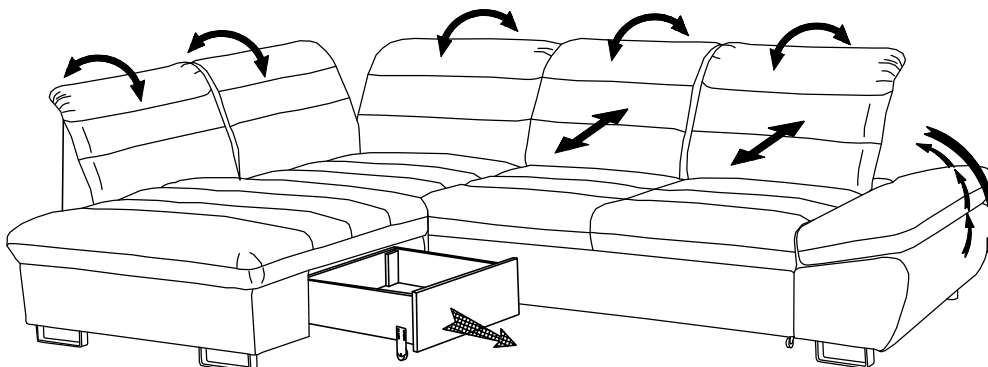


3FBP

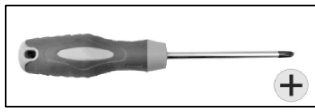
9



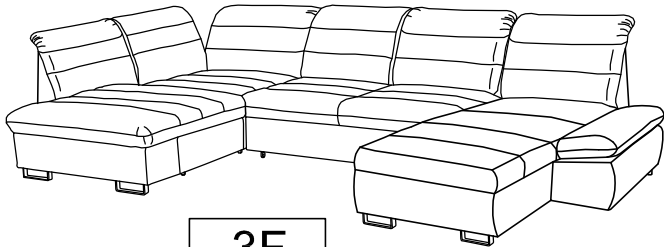
OSP



OSL



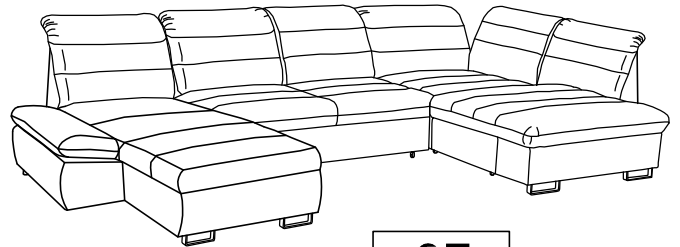
VERSION



3F

OSL

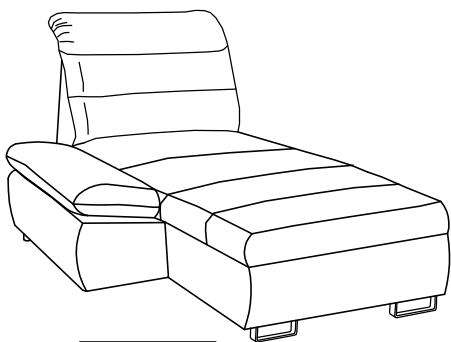
OSBP



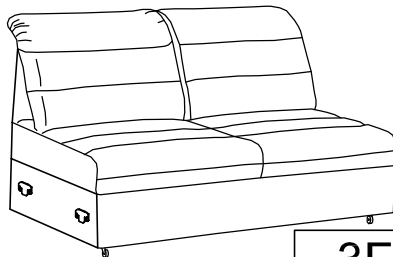
3F

OSBL

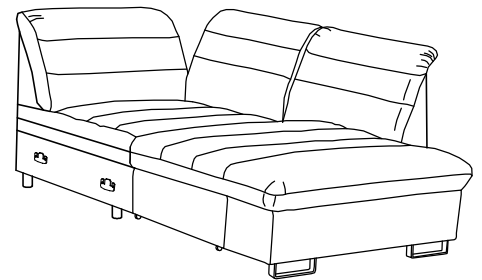
OSP







OSBL



3F

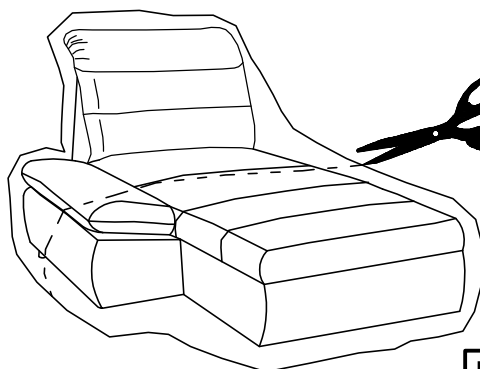


OSP

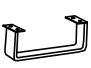

	M6.0x40mm 		M6.0x60mm 
A	B	C	D
4	16	7	7

1

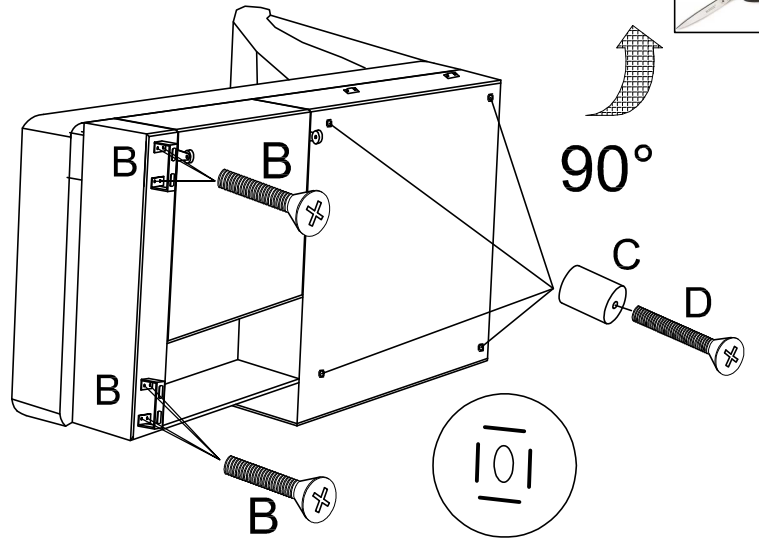
OSBL



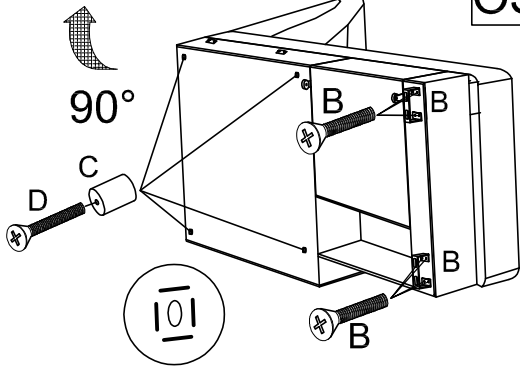
2

	M6.0x40mm		M6.0x60mm
A		B	D
4	8	4	4

OSBL

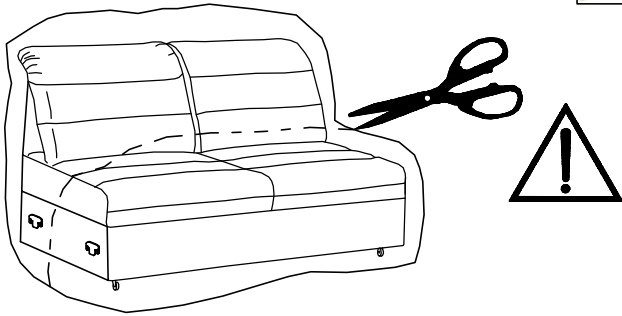


OSBP



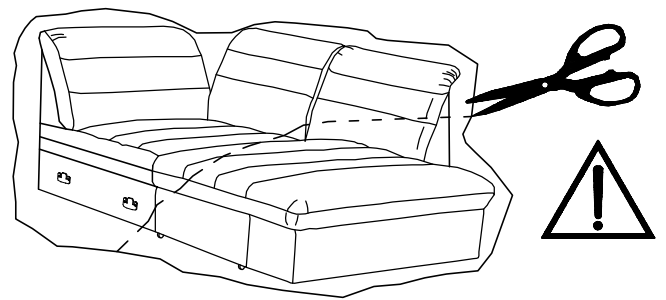
3

3F

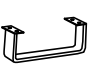



4

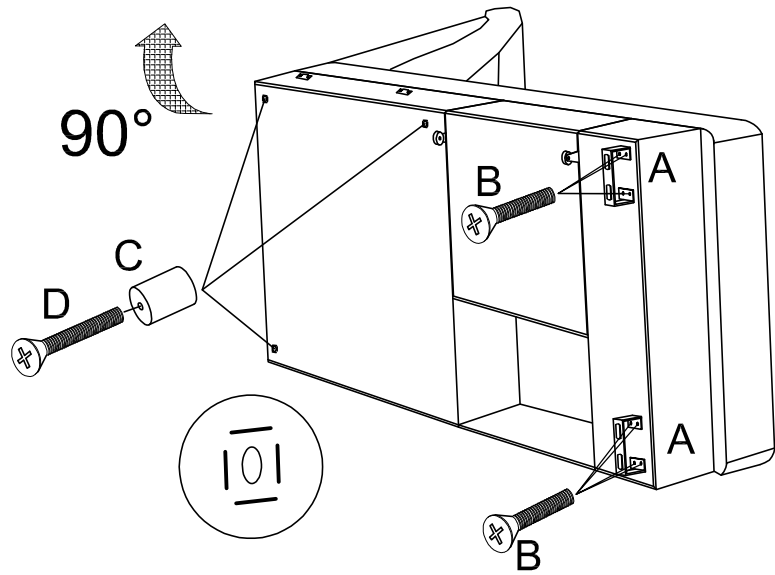
OSP



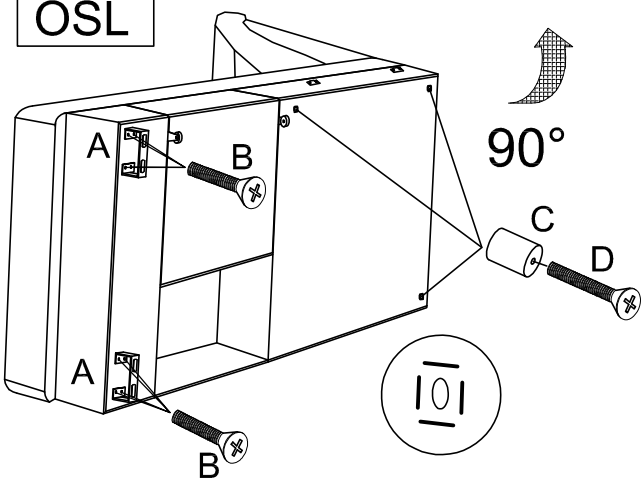
5

	M6.0x40mm		M6.0x60mm
A		B	D
2	8	3	3

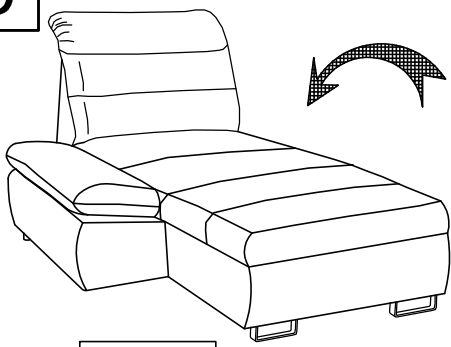
OSP



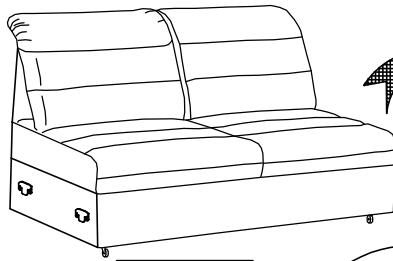
OSL



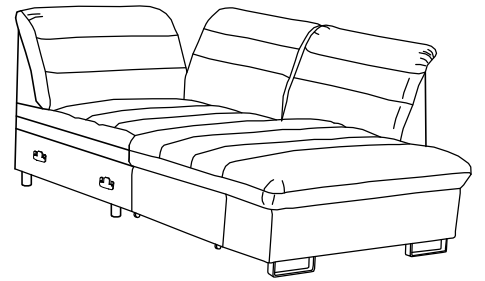
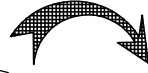
6



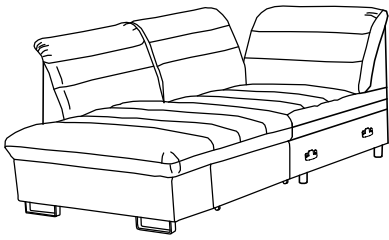
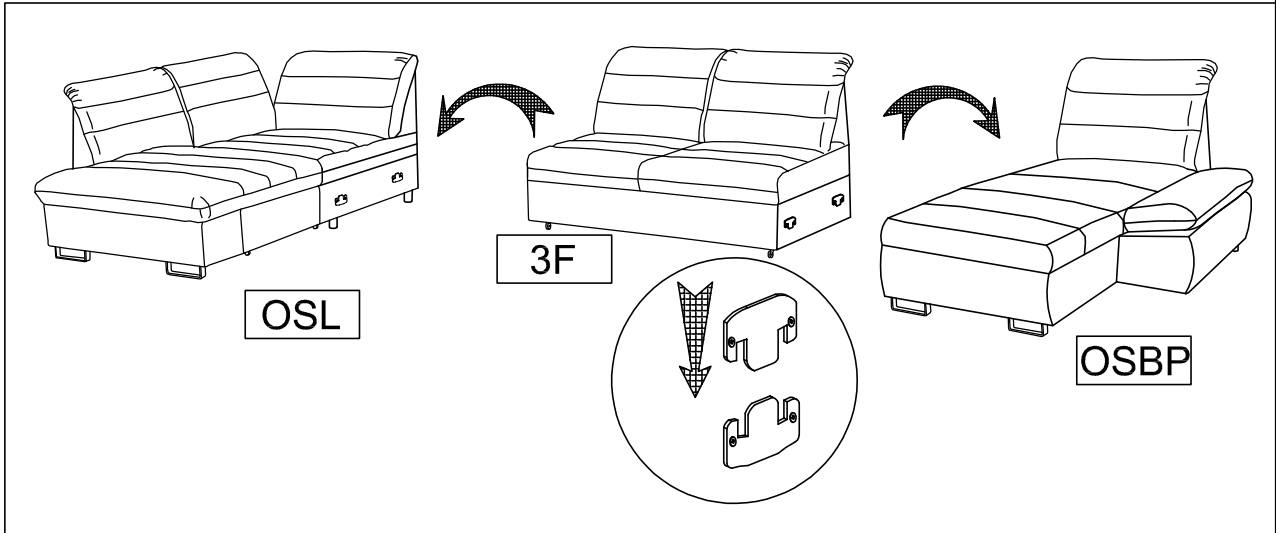
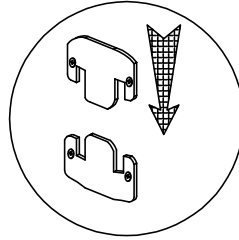
OSBL



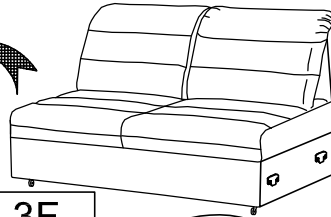
3F



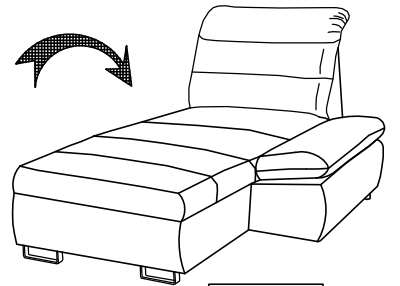
OSP



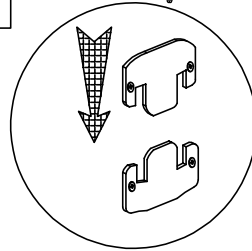
OSL



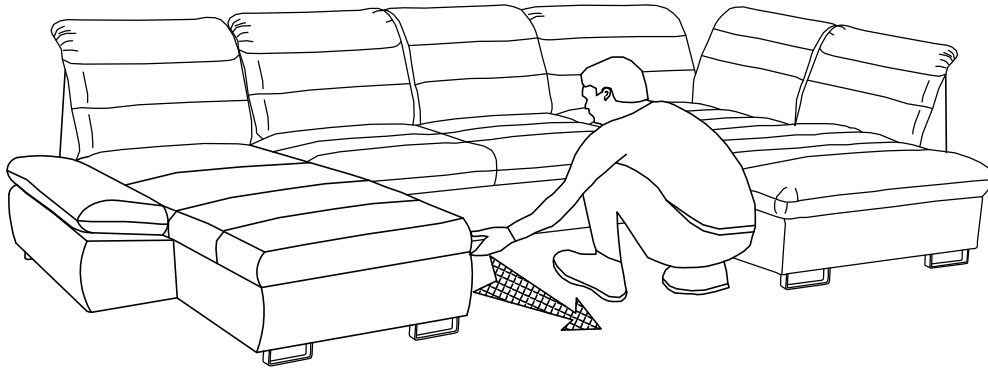
3F



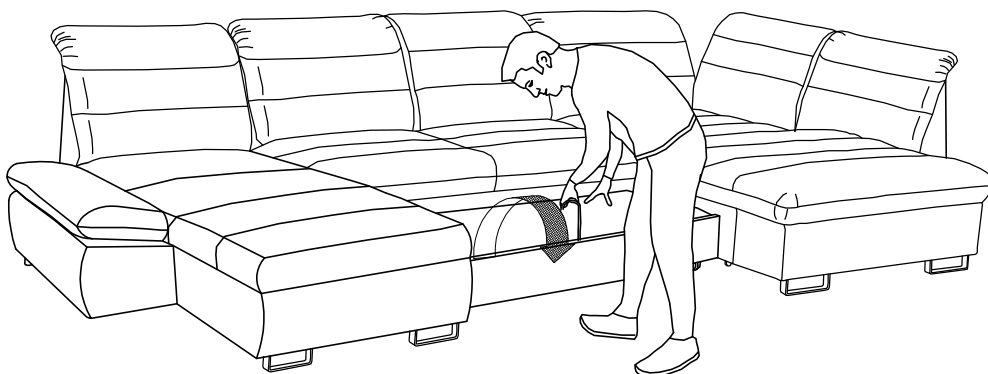
OSBP



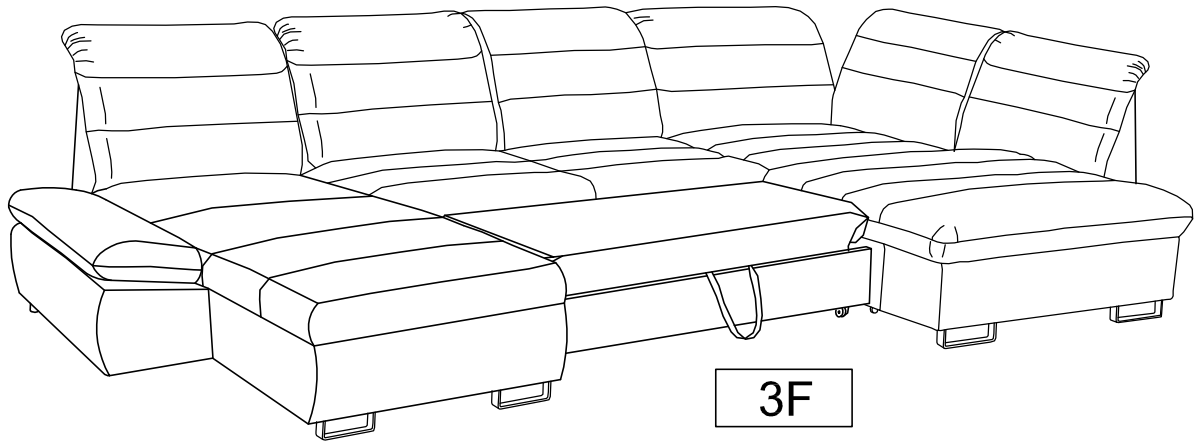
7



8

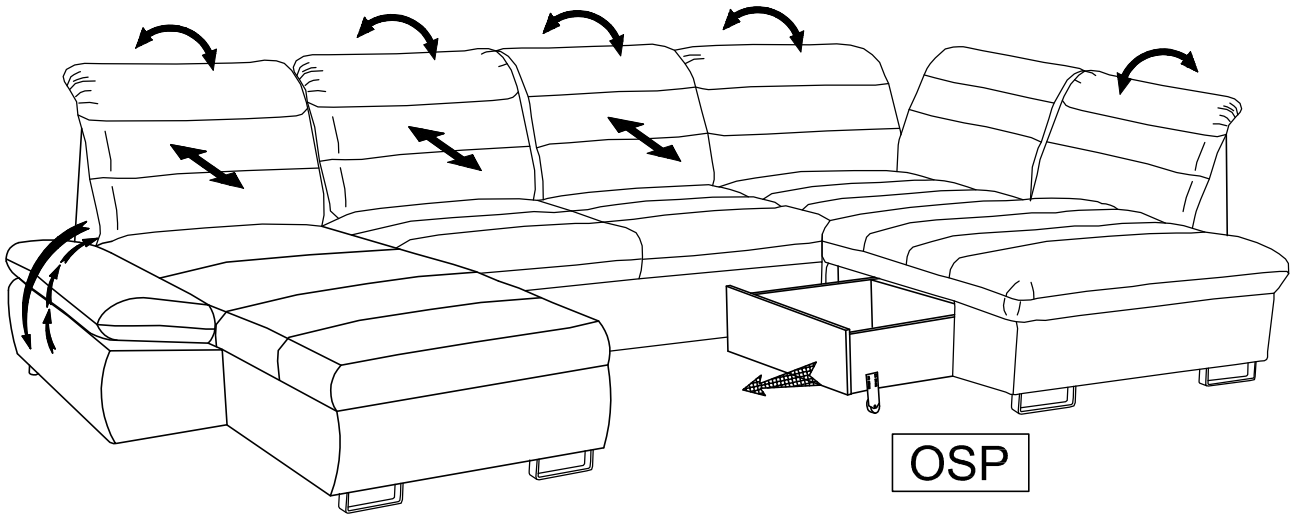
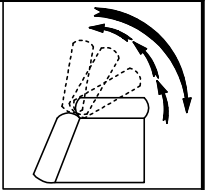


9

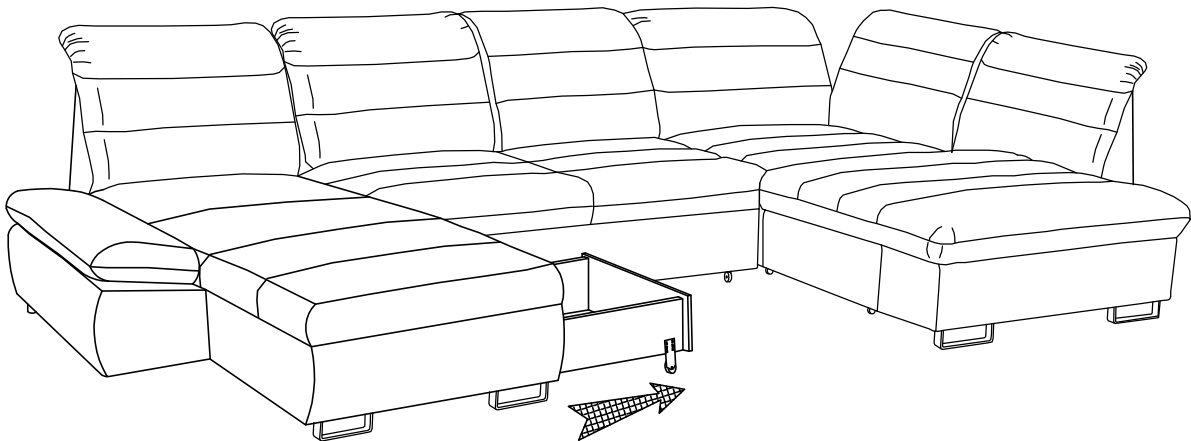


3F

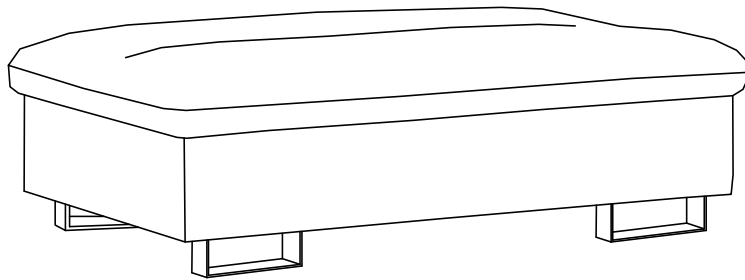
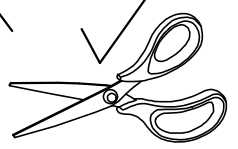
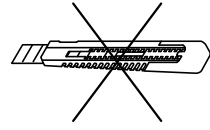
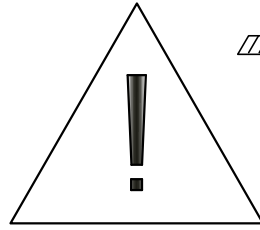
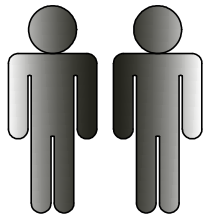
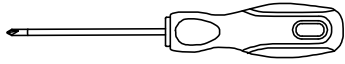
10



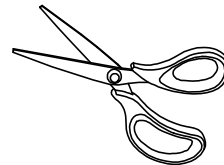
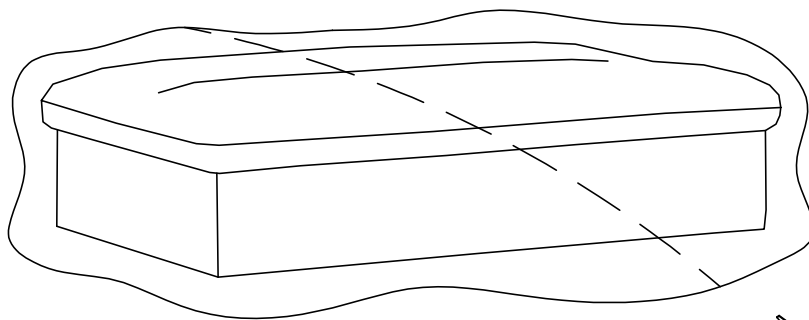
OSP



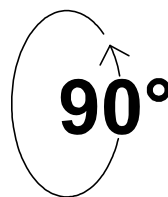
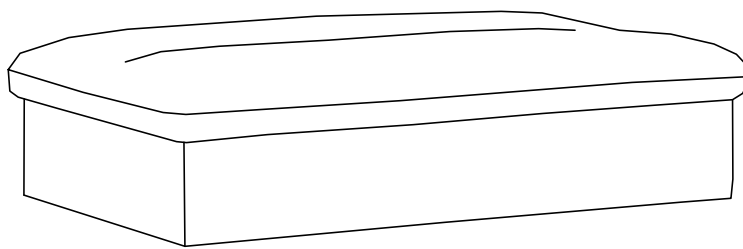
OSBL



1



2



3

