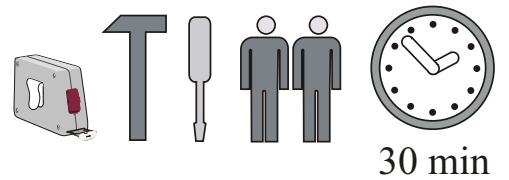
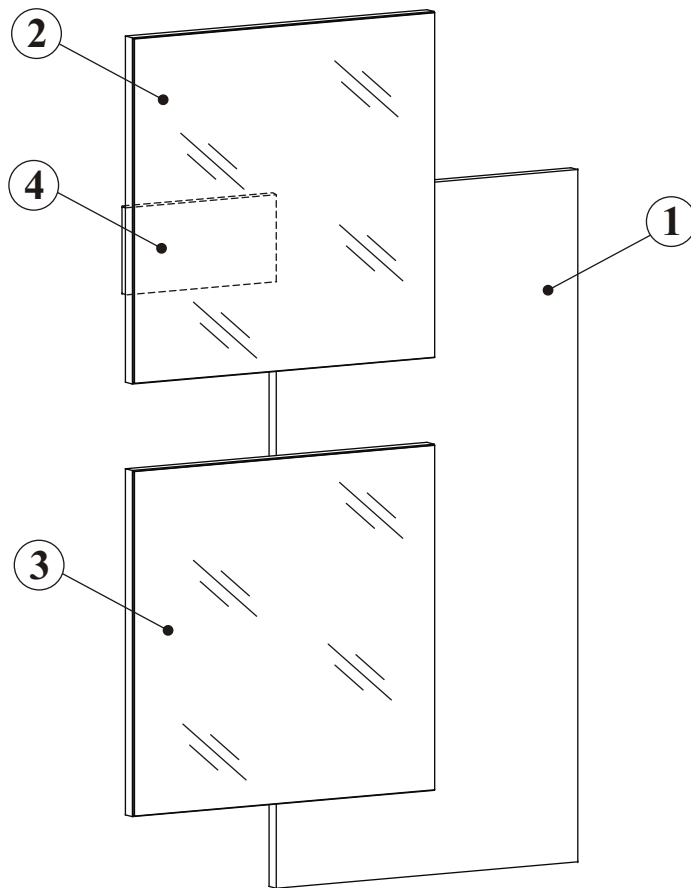


EASY 20_EY TYP 01

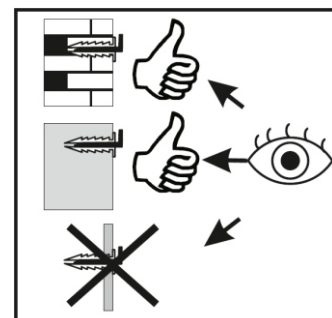
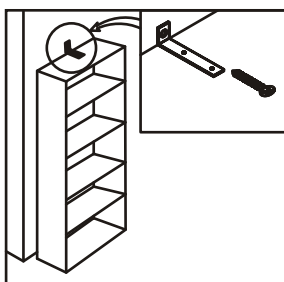
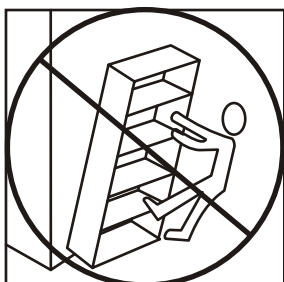
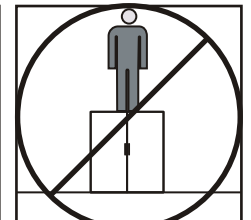
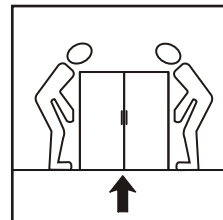
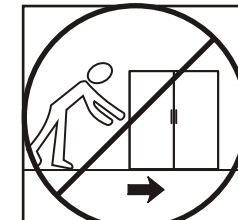
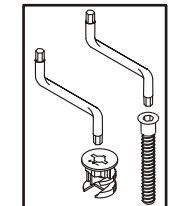
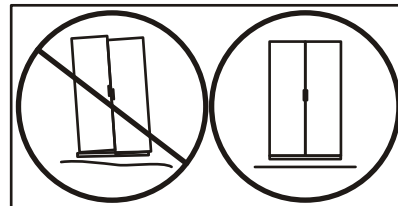
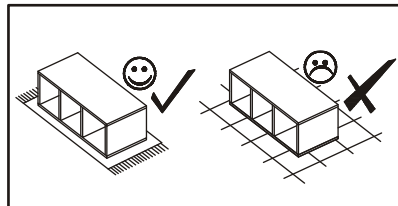
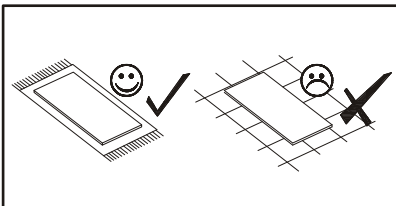
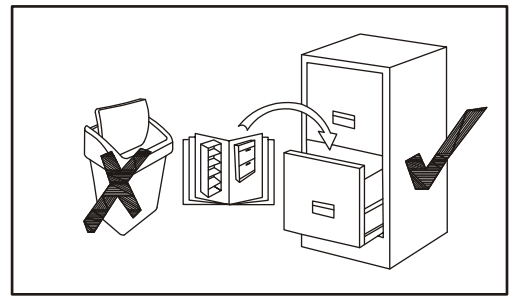
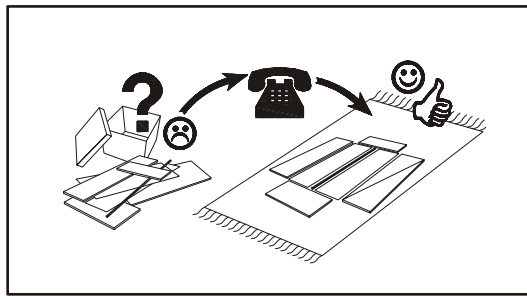
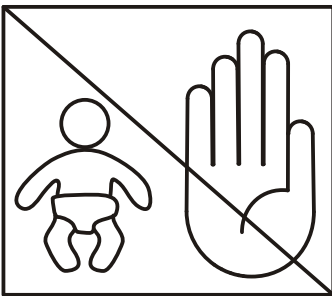
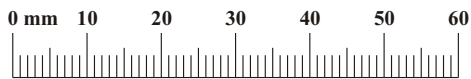


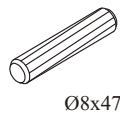
30 min


NO	Dim.			Col.-No	Qty
1	400	800	16	1	1
2	400	400	19	1	1
3	400	400	19	1	1
4	195	100	16	1	1

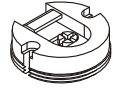
EASY 20_EY TYP 01


A3 x2 Ø8x47	B6 x1 Ø7x76	B5 x2 Ø15x12	G5 x2	ZM1 x3	D20 x6 ESØ6x9,5
D6 x7 USØ3,5x30	KR3 x3 Ø10	G2 x1			



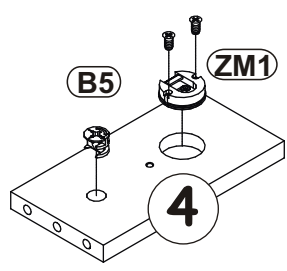
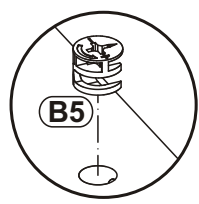
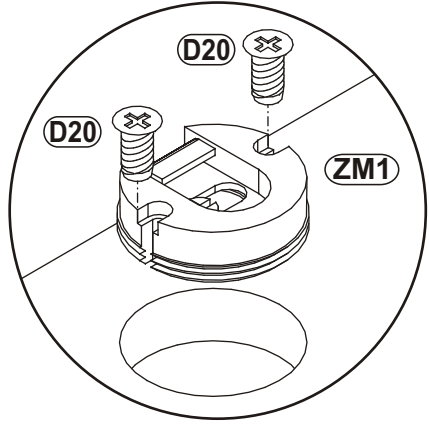
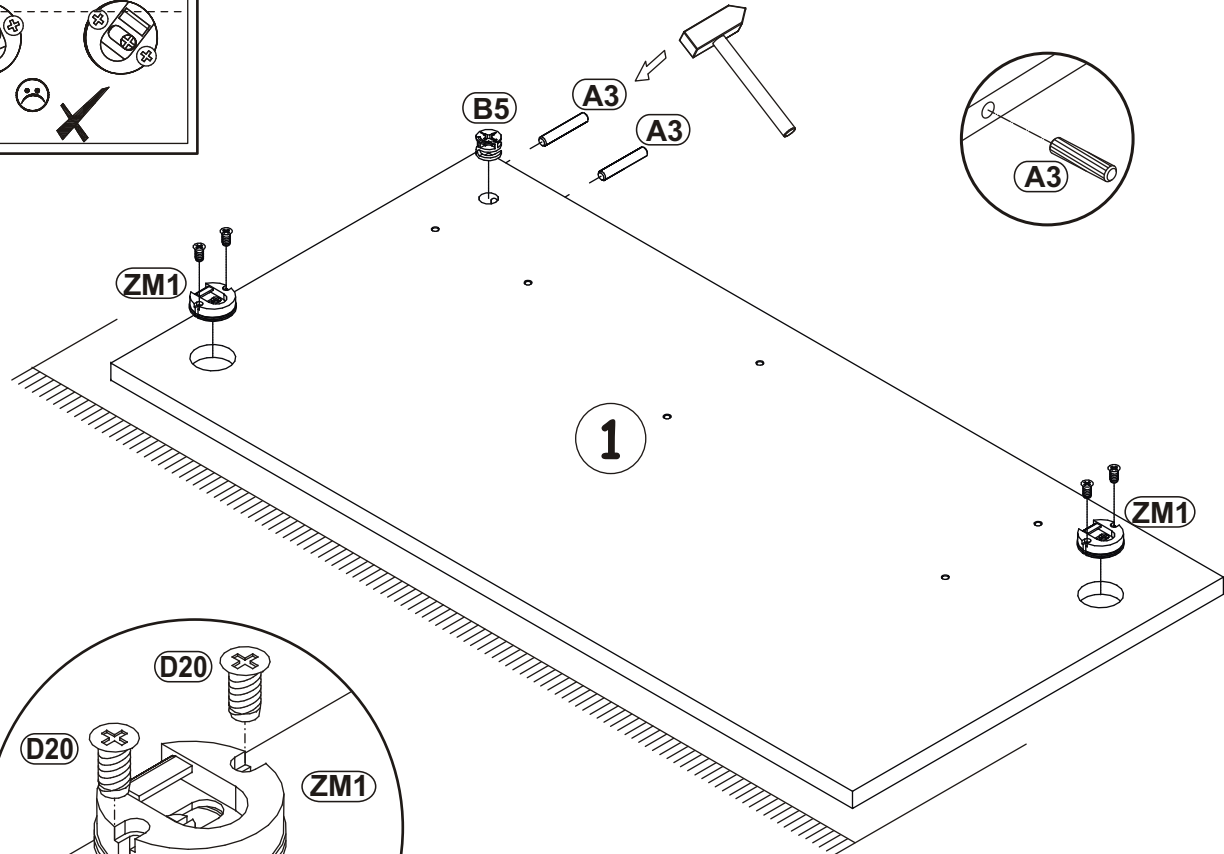
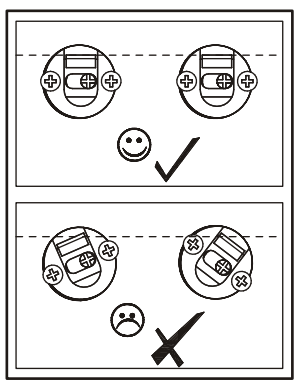
A3	
x2	Ø8x47

B5	
x2	Ø15x12

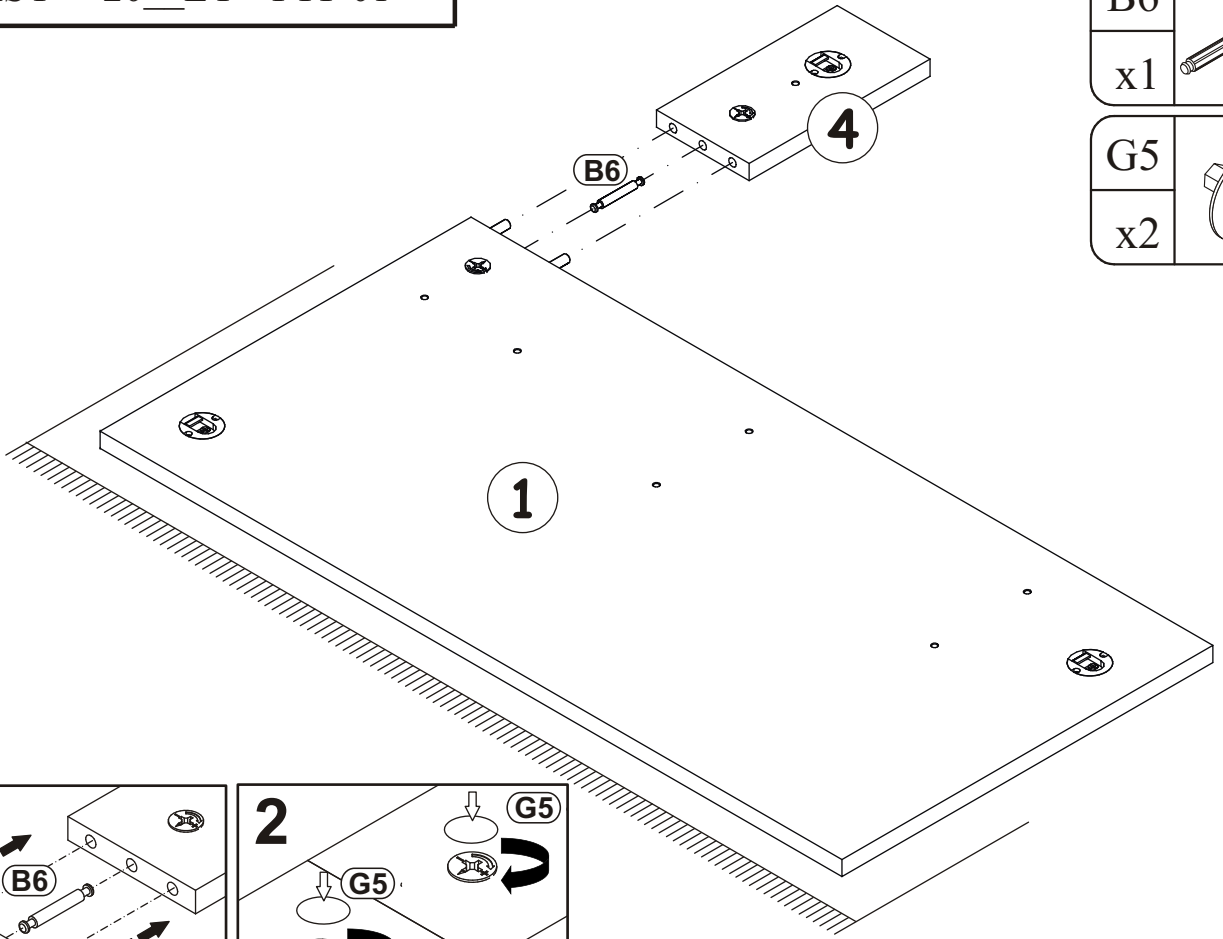
ZM1	
x3	

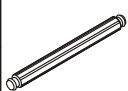
D20	
x6	ESØ6x9,5


1

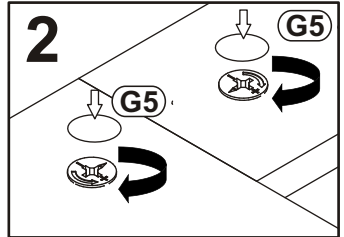
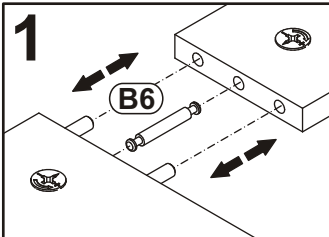


2

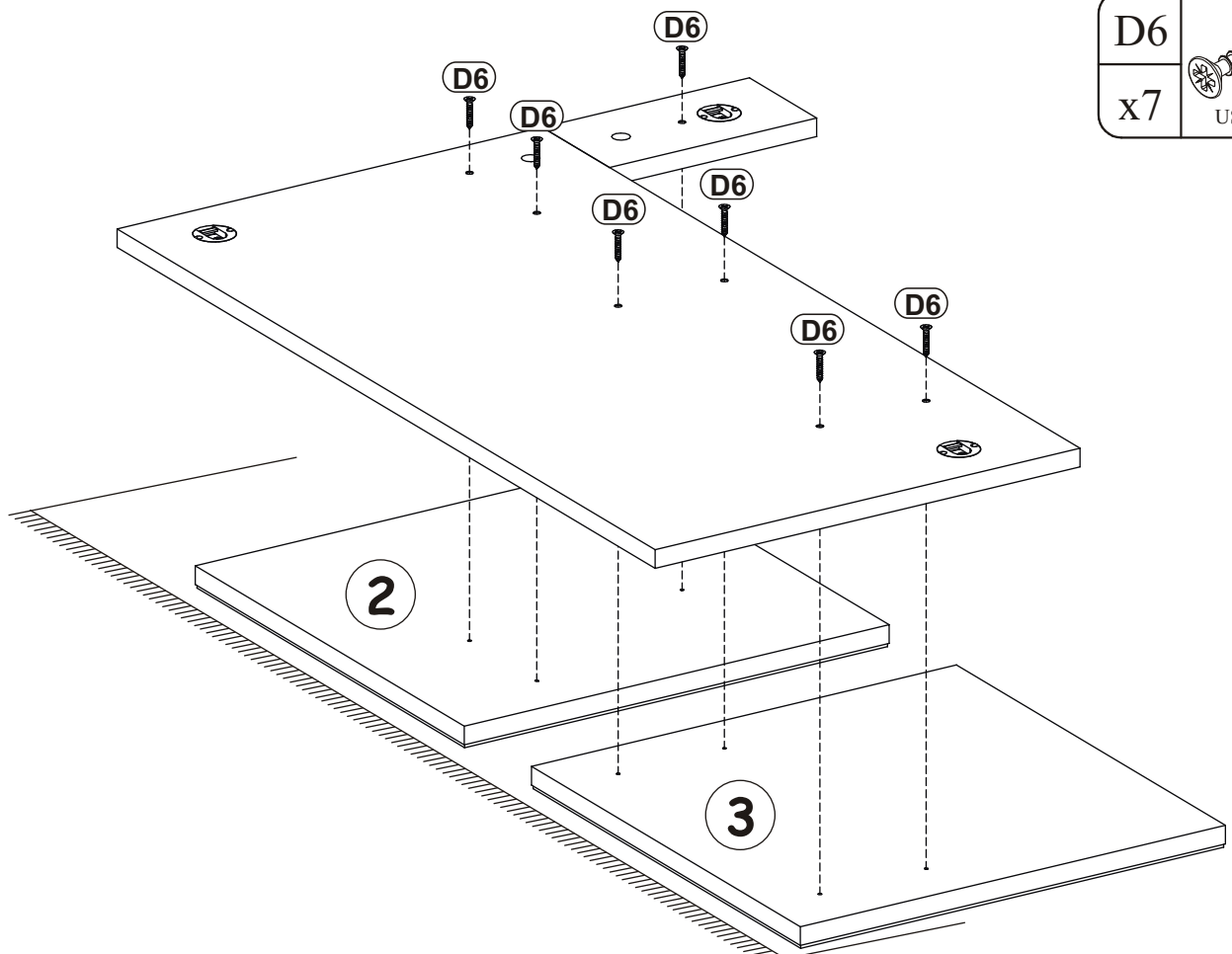


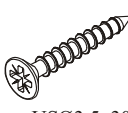
B6	
x1	Ø7x76

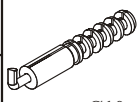
G5	
x2	



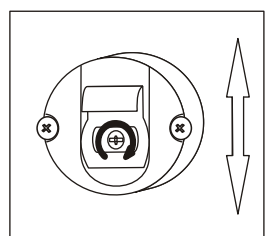
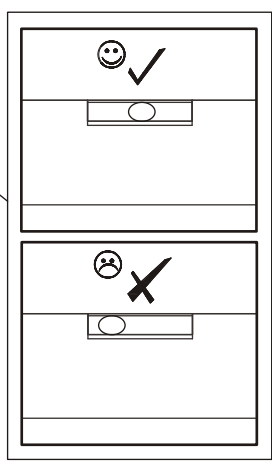
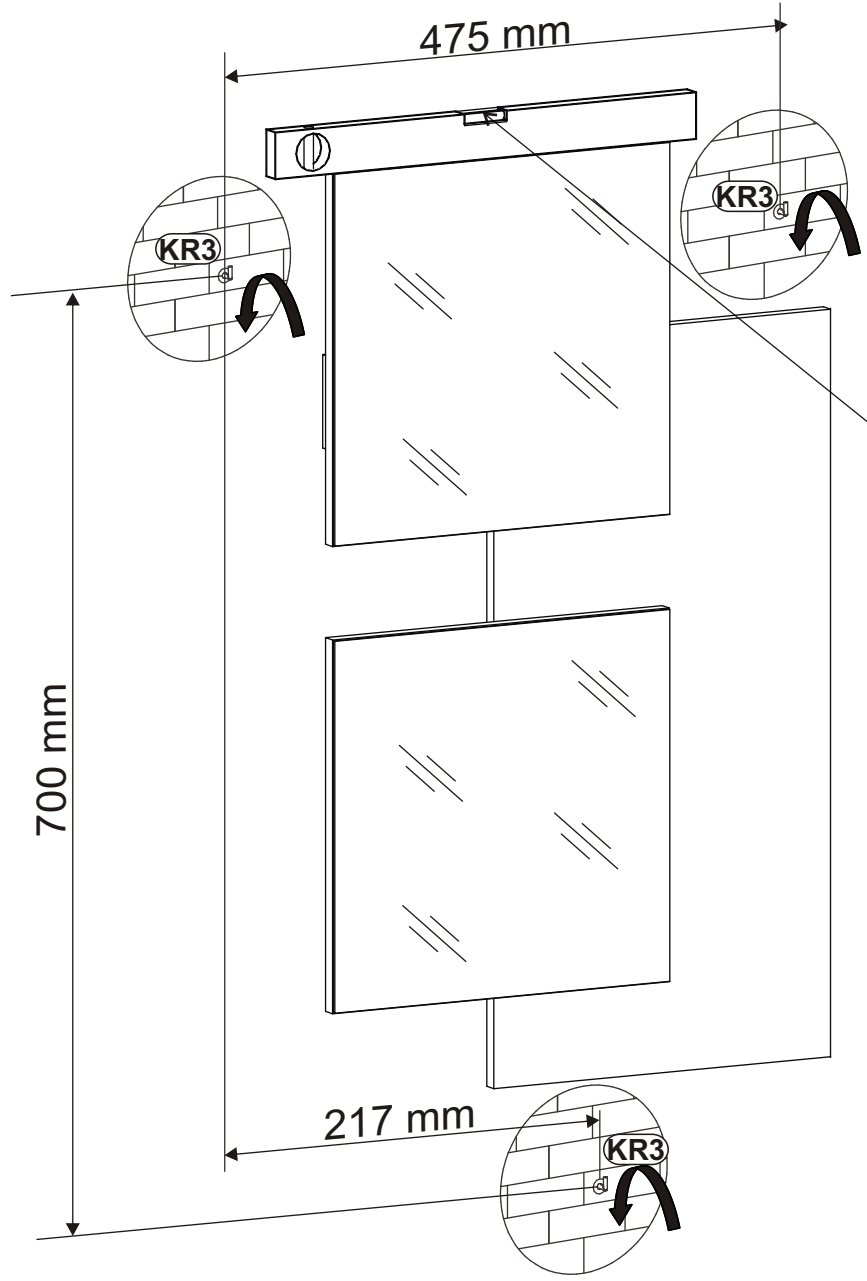
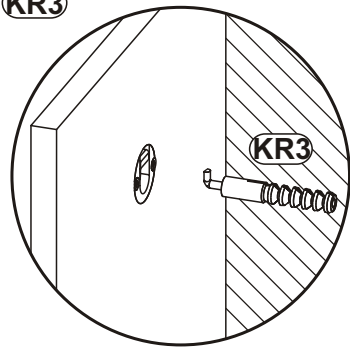
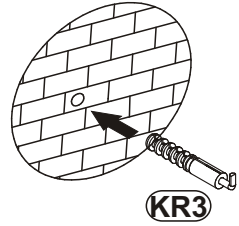
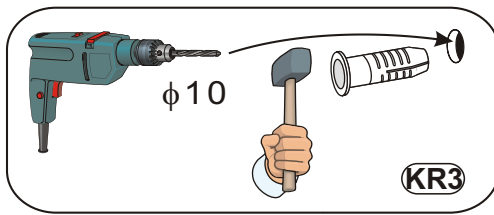
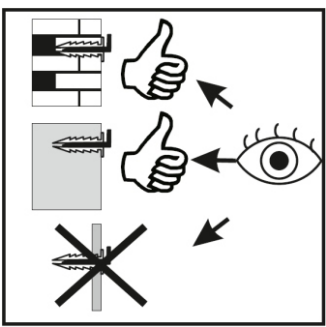
3



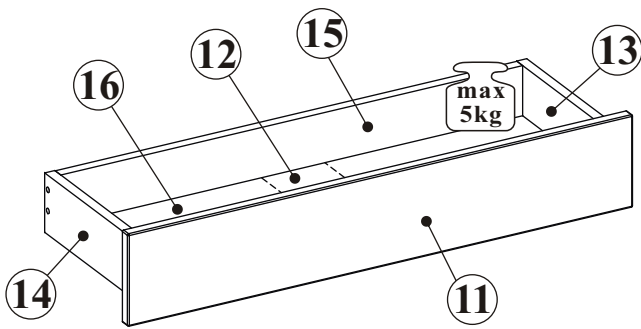
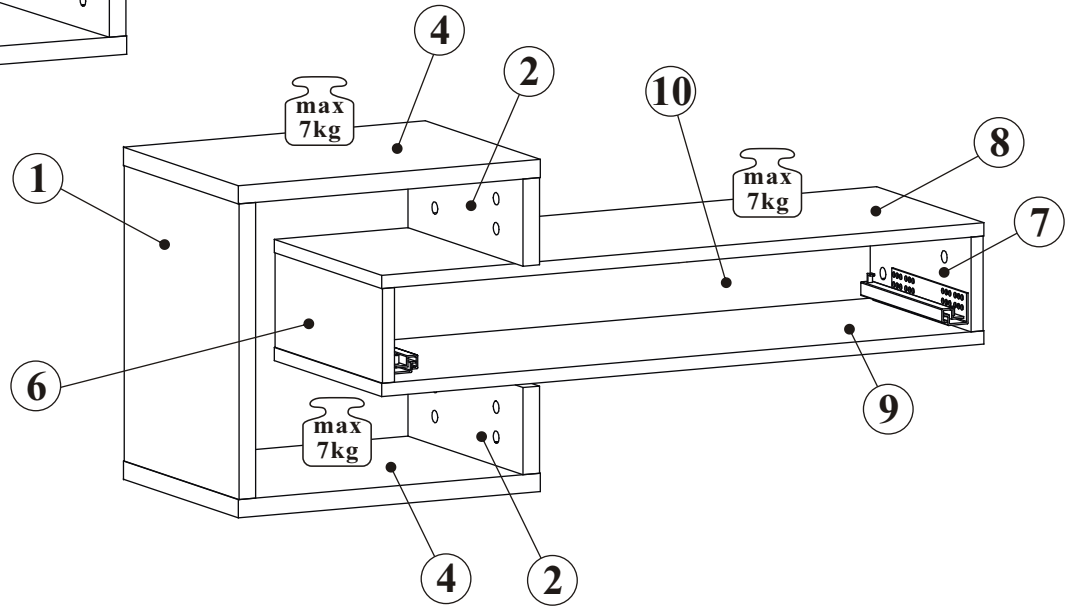
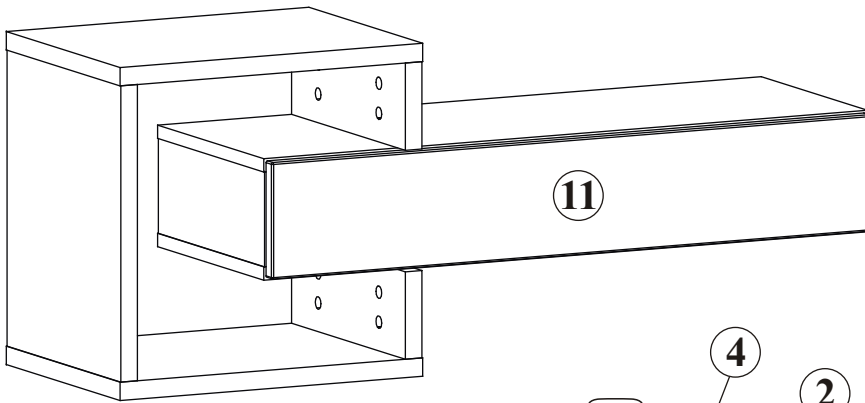
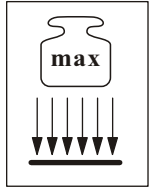
D6	
x7	USØ3,5x30

KR3	
x3	Ø10

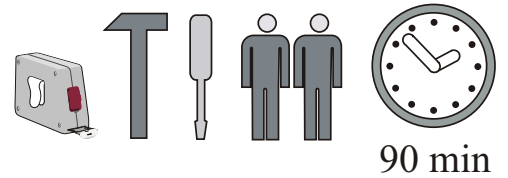
4



EASY 20_EY TYP 03



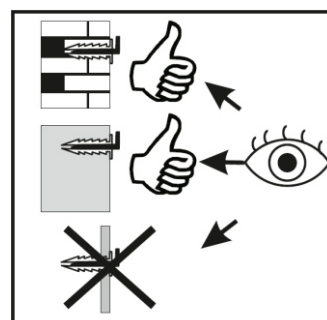
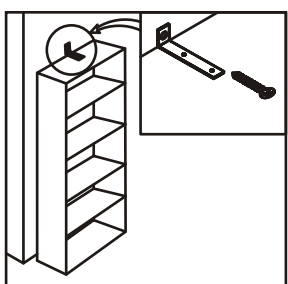
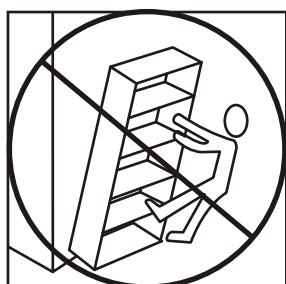
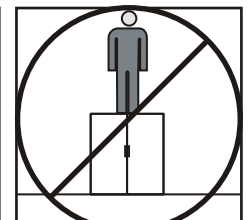
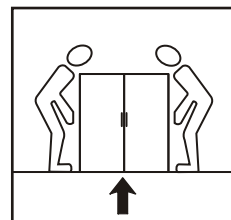
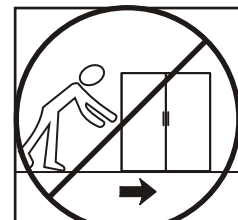
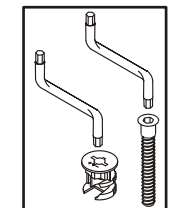
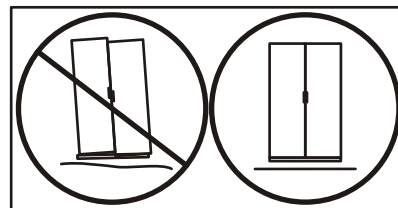
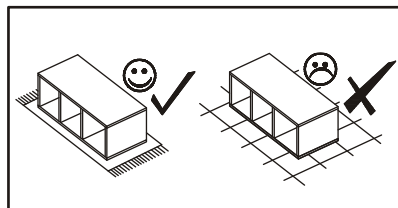
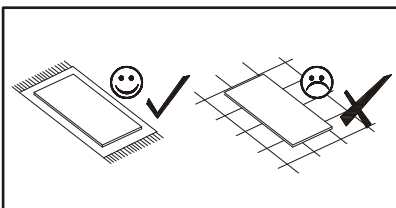
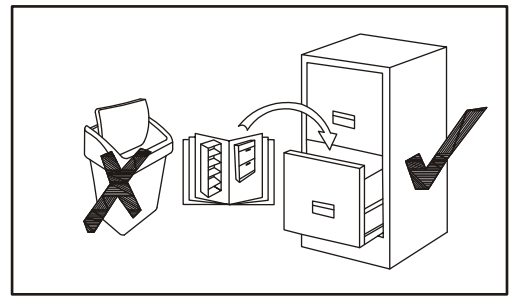
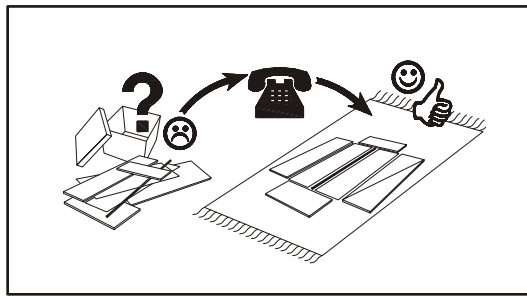
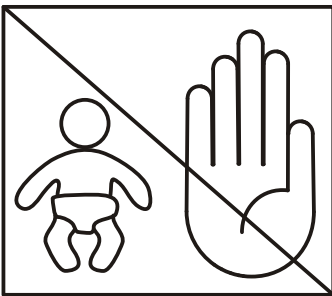
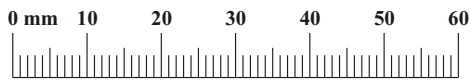
NO	Dim.			Col.-No	Qty
1	356	300	22	1	1
2	105	300	22	1	1
3	105	300	22	1	1
4	402	300	22	1	2
6	114	280	16	1	1
7	114	280	16	1	1
8	802	280	16	1	1
9	802	280	16	1	1
10	768	114	16	1	1
11	796	140	16	1	1
12	250	100	16	1	1
13	250	90	16	1	1
14	250	90	16	1	1
15	728	76	16	1	1
16	254	740	3	1	1

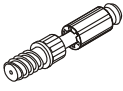


90 min

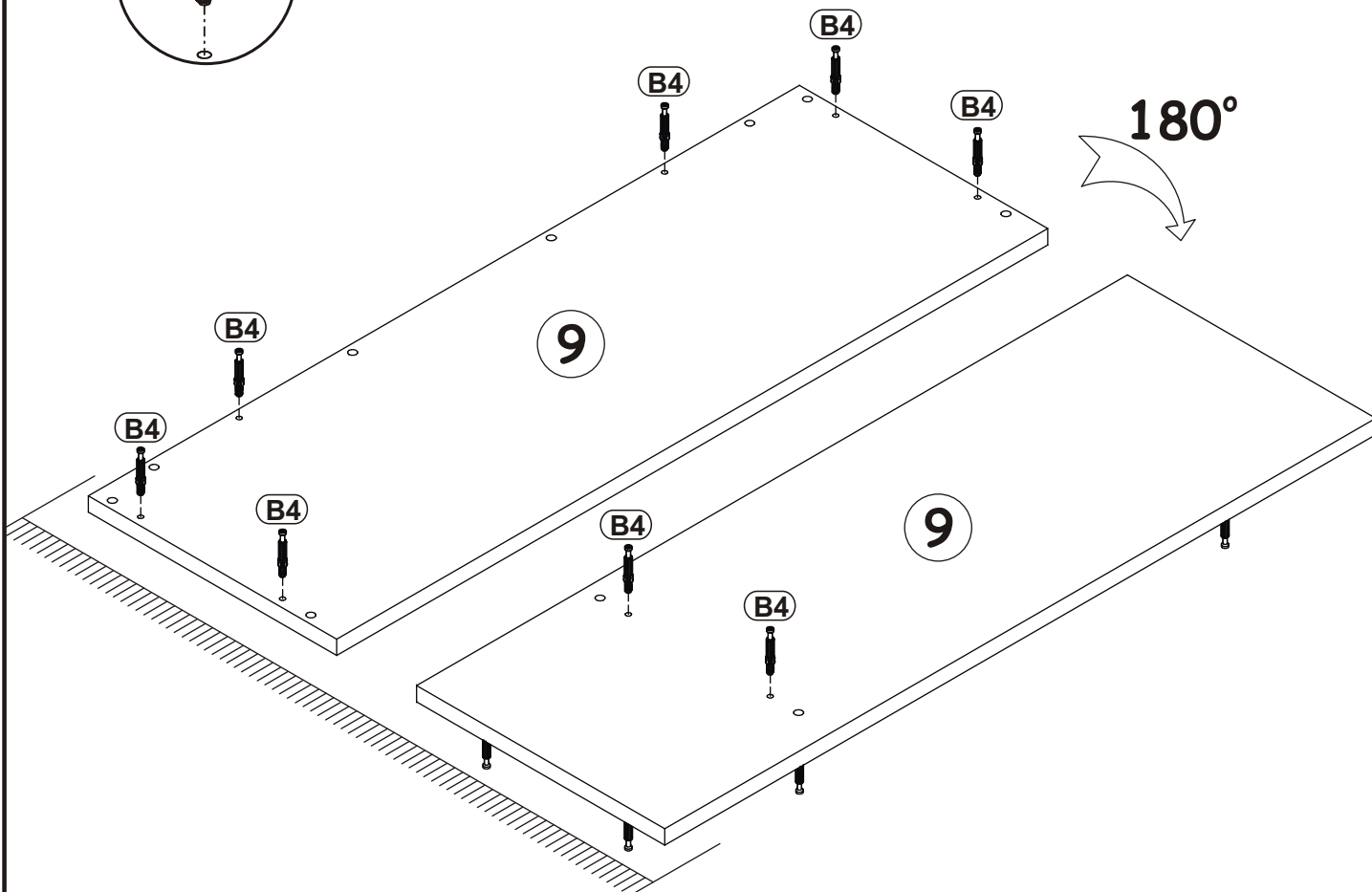
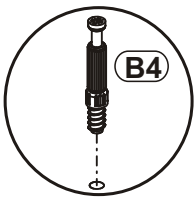
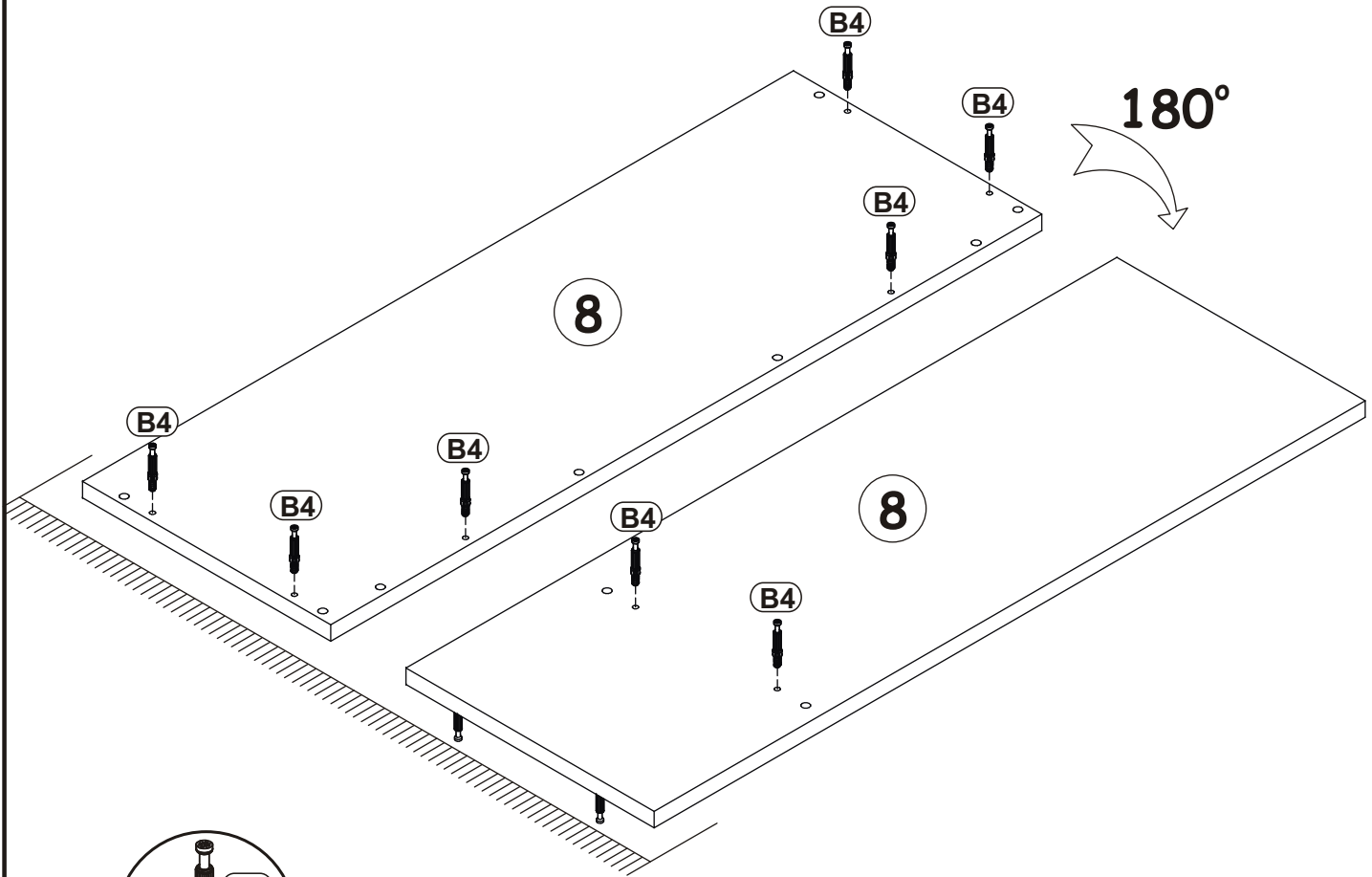
EASY 20_EY TYP 03

A1 x32 ø8x36	B4 x26	B5 x14 Ø15x12	B16 x12 Ø15x16	G5 x26	B11 x4 Ø7x50
QU x1 L-250mm	D20 x8 ESØ6x9,5	D10 x6 USØ3,5x13	KR1 x1 Ø8	UP6 x2 UPØ4x30	G4 x4
S1 x2	UP13 x6 UPØ3x16	ZM1 x2	KR3 x2 Ø10	L1 x1	G2 x1



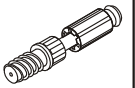
B4	
x16	

1

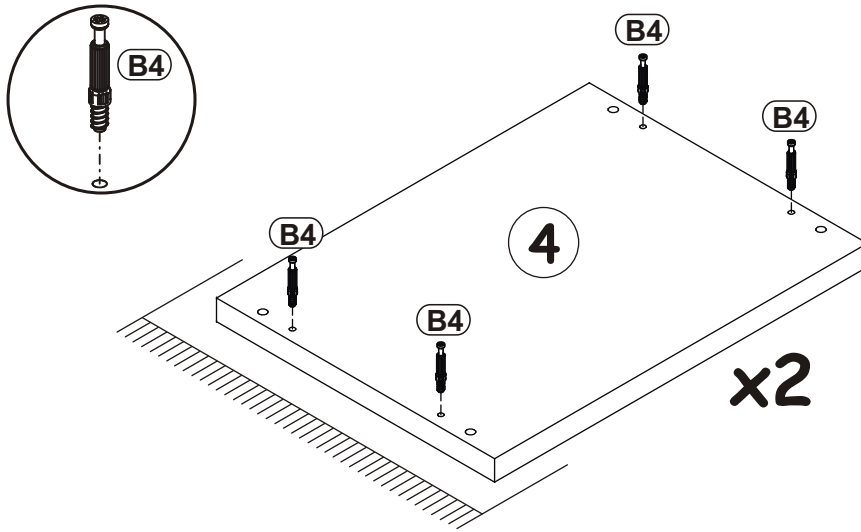


B4

x8



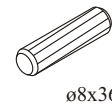
2



3

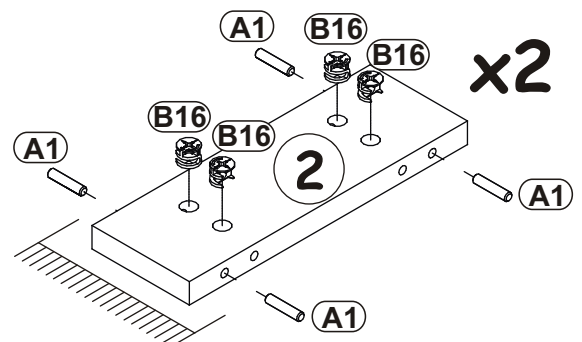
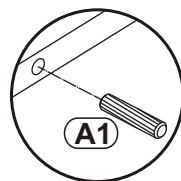
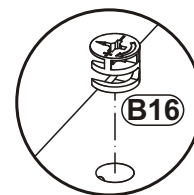
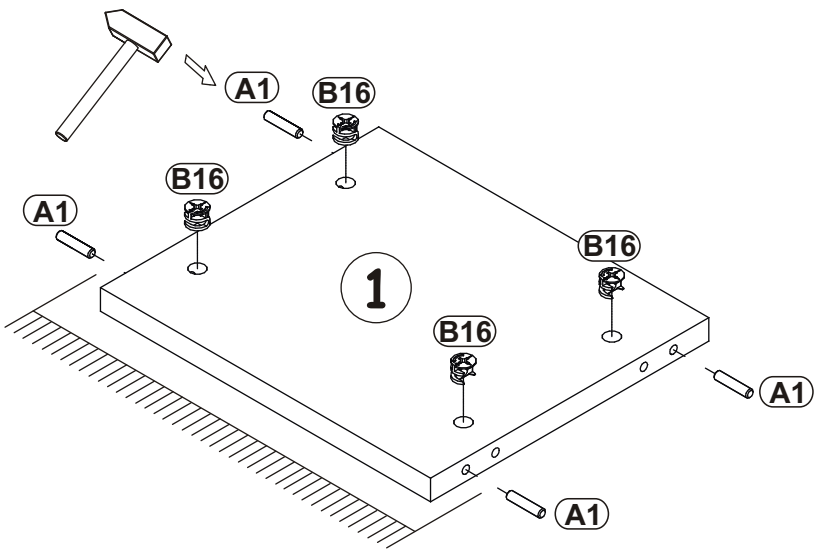
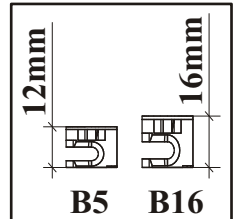
A1

x12

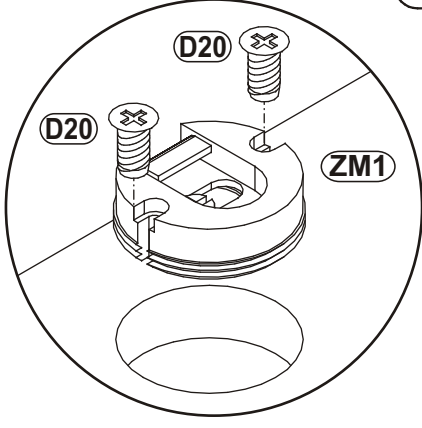
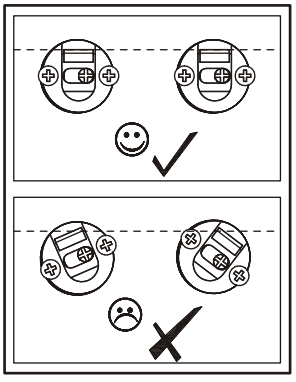


B16

x12



4



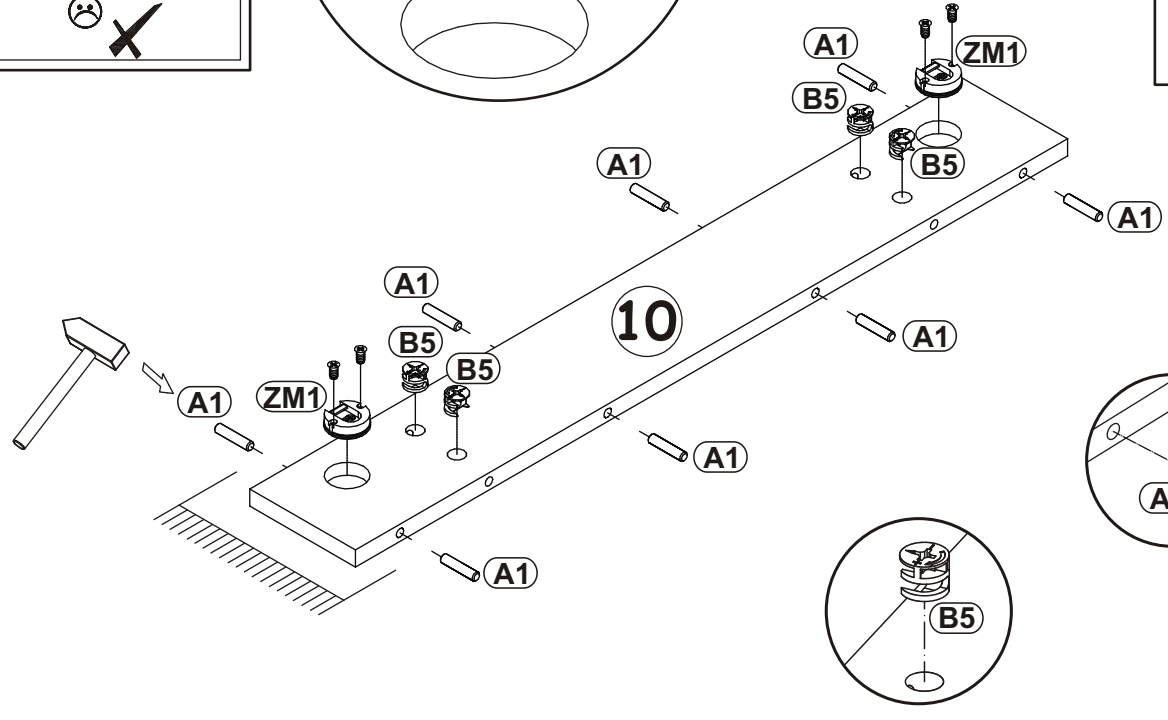
A1	
x8	ø8x36

B5	
x4	Ø15x12

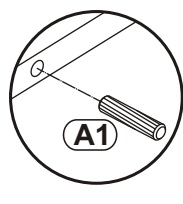
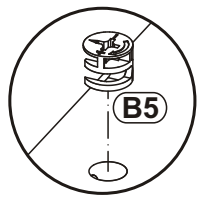
ZM1	
x2	

D20	
x4	ESØ6x9,5

12mm		16mm	
	B5		B16



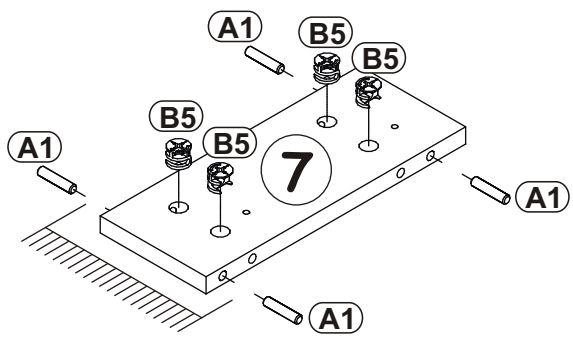
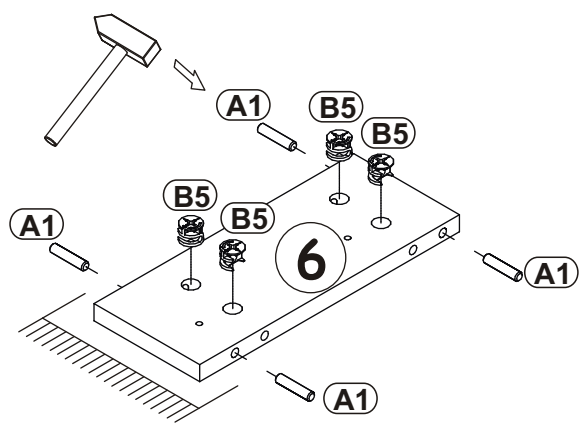
5



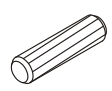
A1	
x8	ø8x36

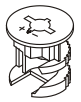
B5	
x8	Ø15x12


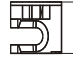
12mm		16mm	
	B5		B16

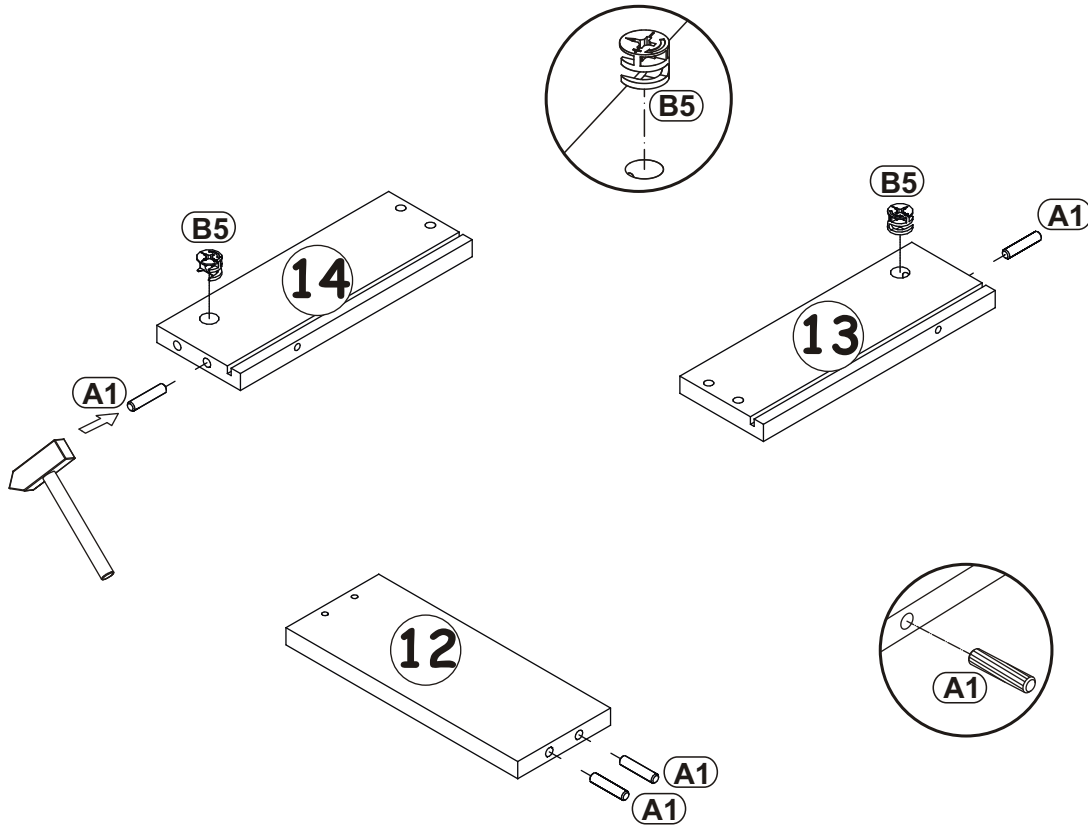


6

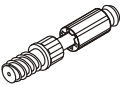
A1	
x4	ø8x36

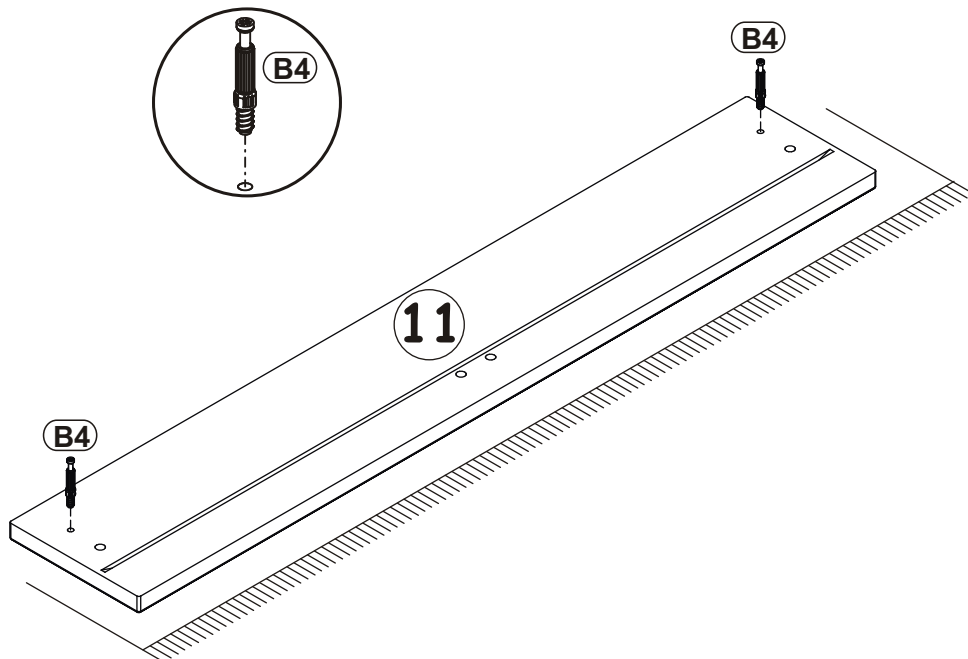
B5	
x2	Ø15x12

12mm		16mm	
	B5		B16





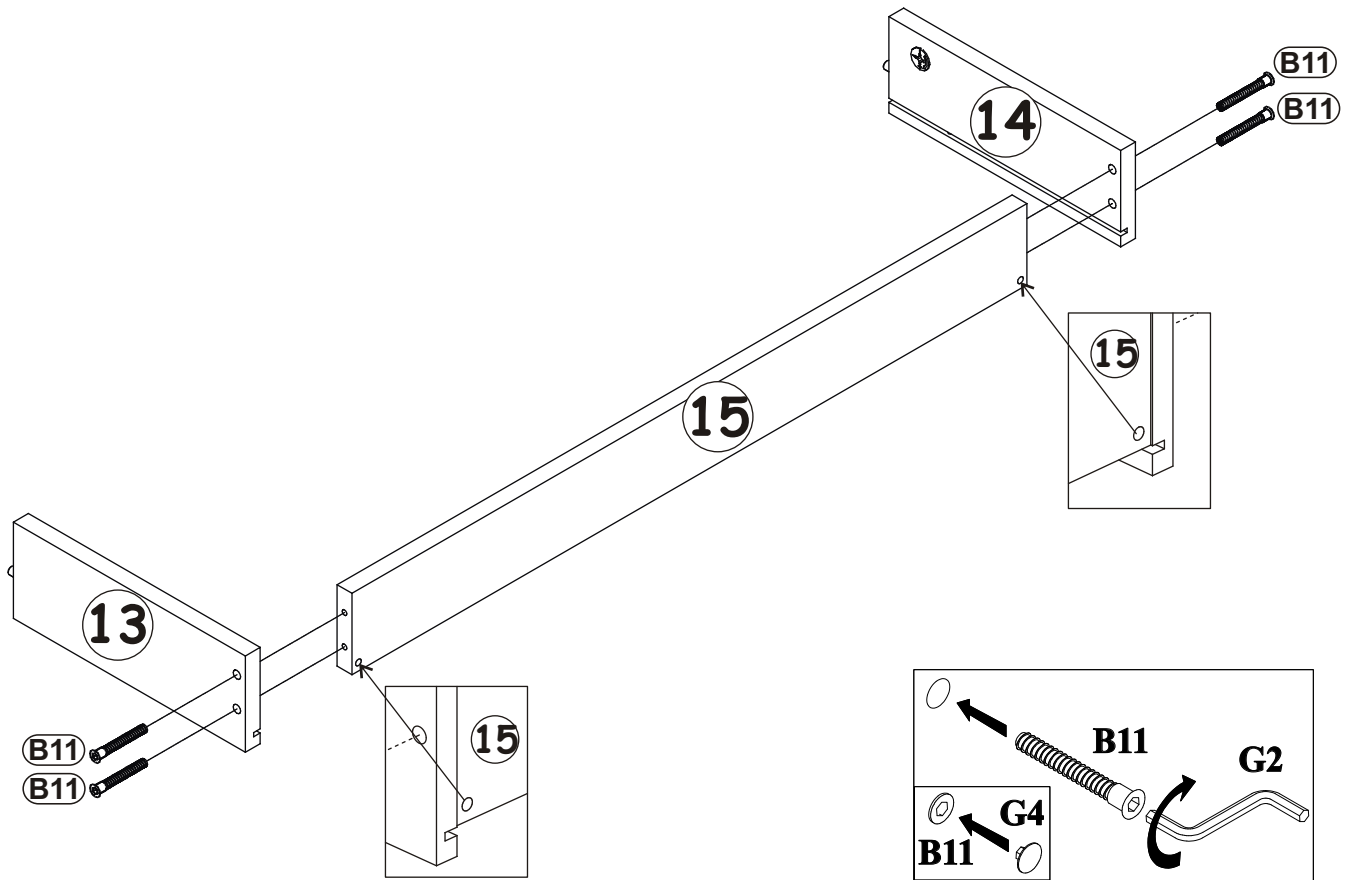
7

B4	
x2	




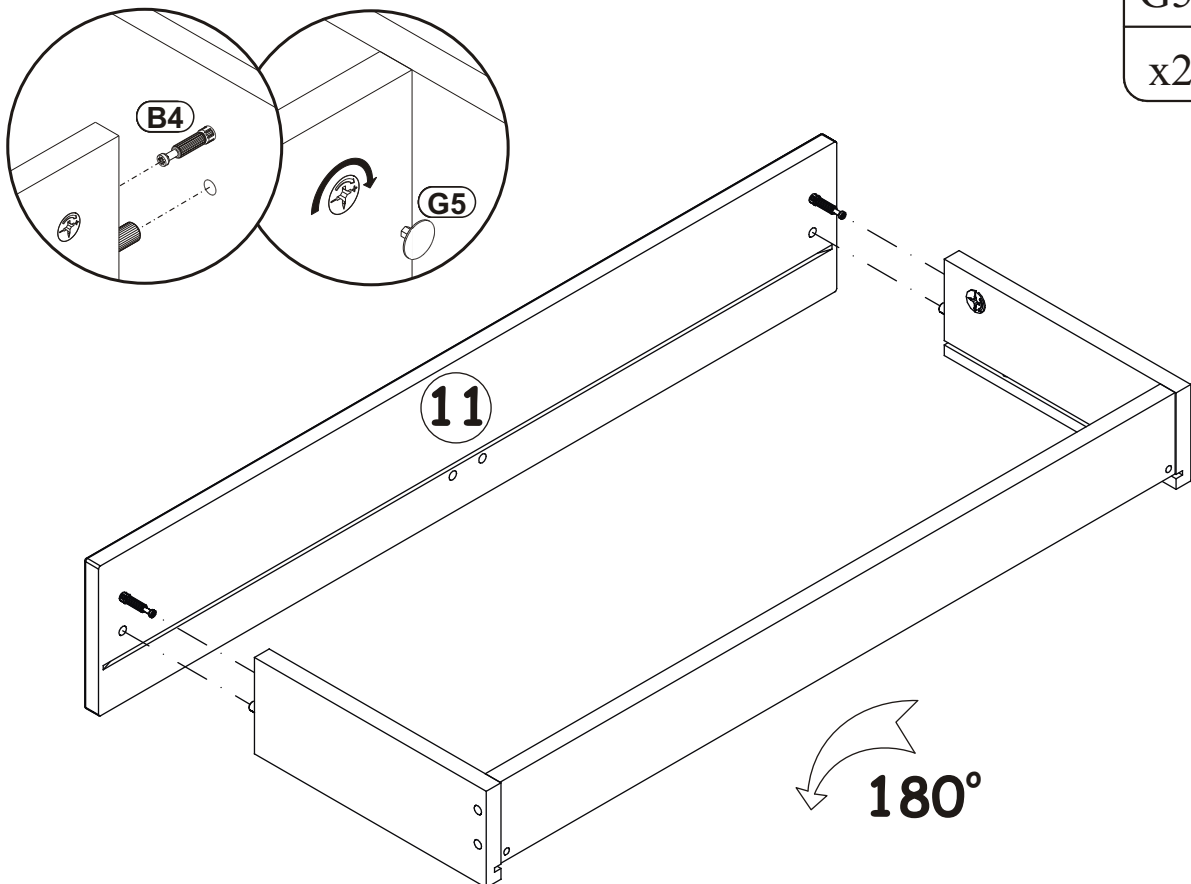
8

B11		G4	
x4	Ø7x50	x4	

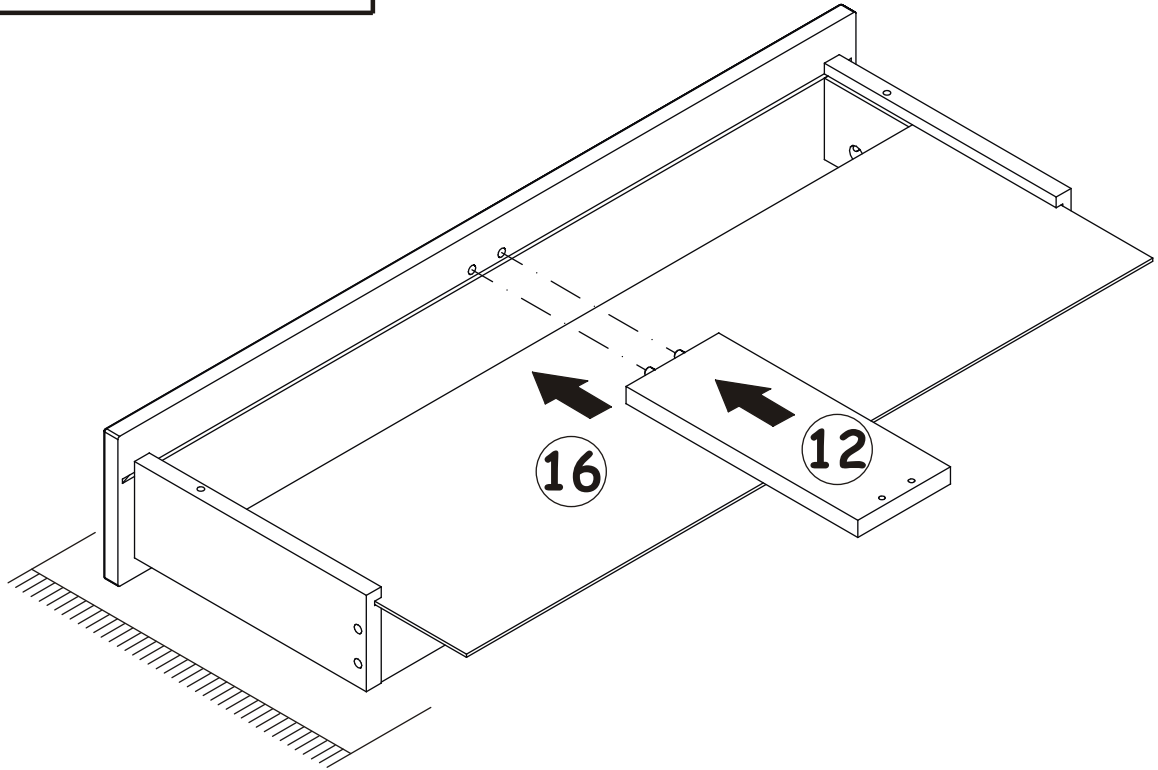


9

G5	
x2	

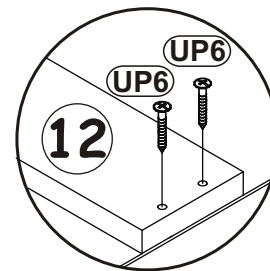
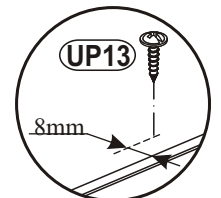
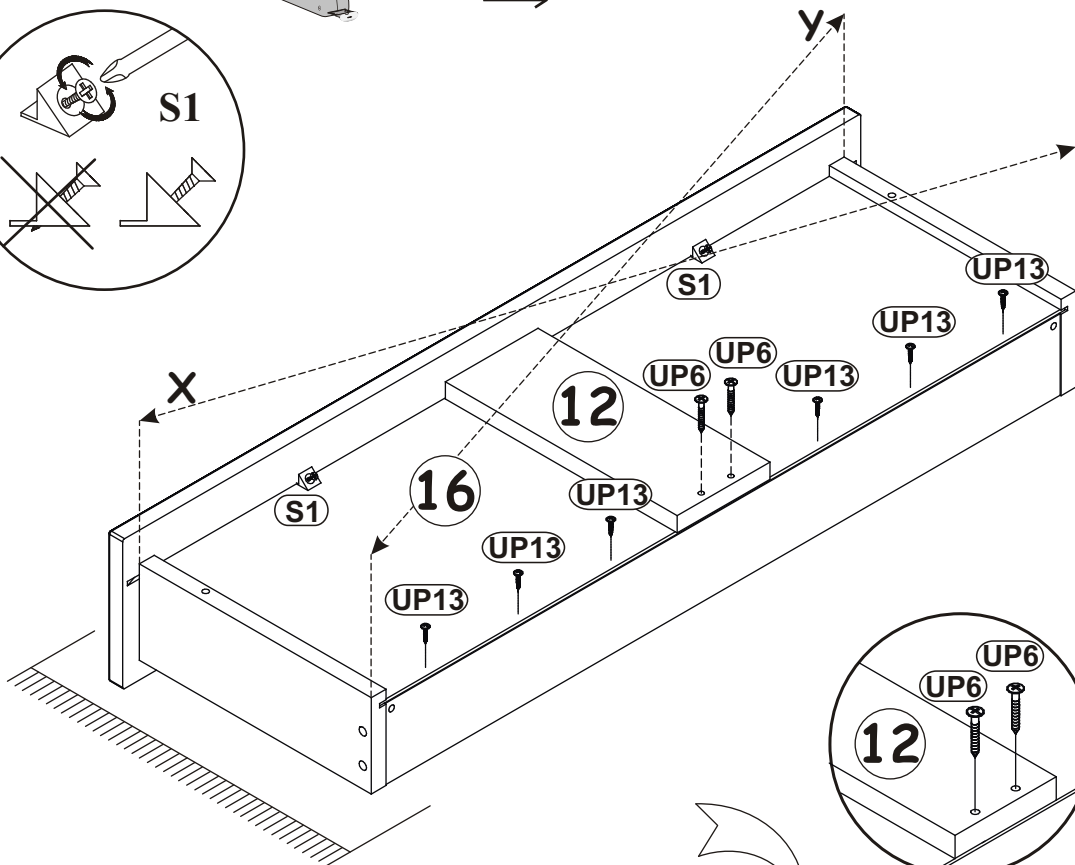
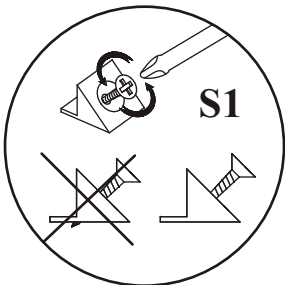


10




11

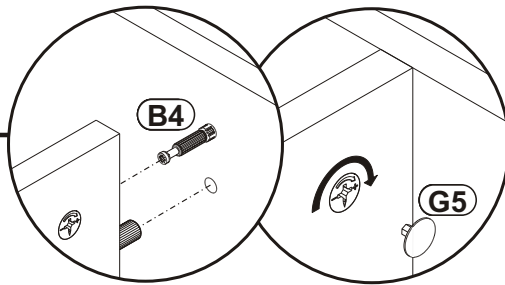
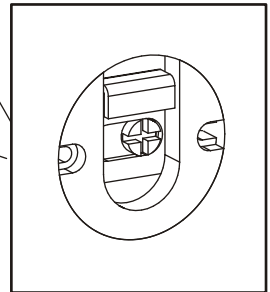
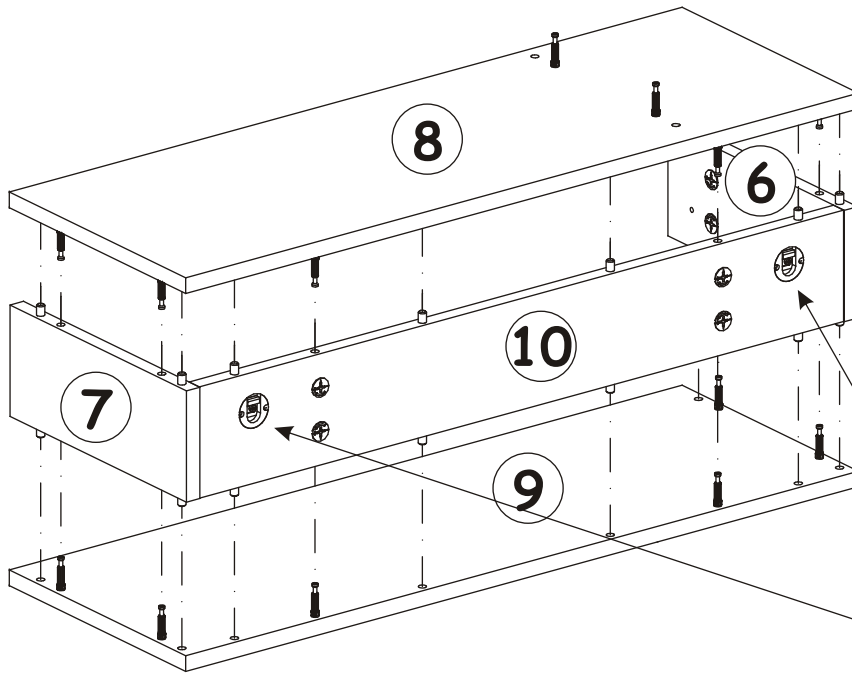
S1		UP13		UP6	
x2		x6	UPØ3x16	x2	UPØ4x30




180°

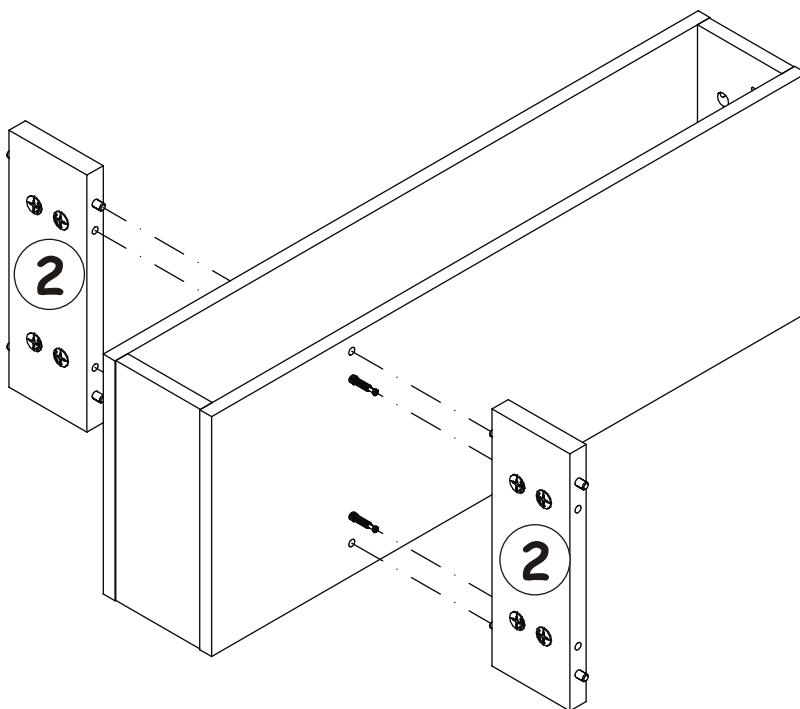
G5	
x12	

12

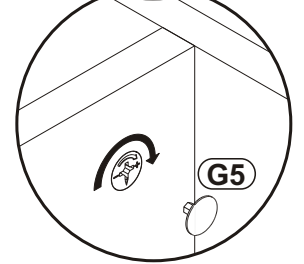
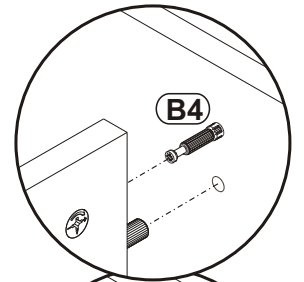
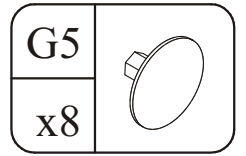
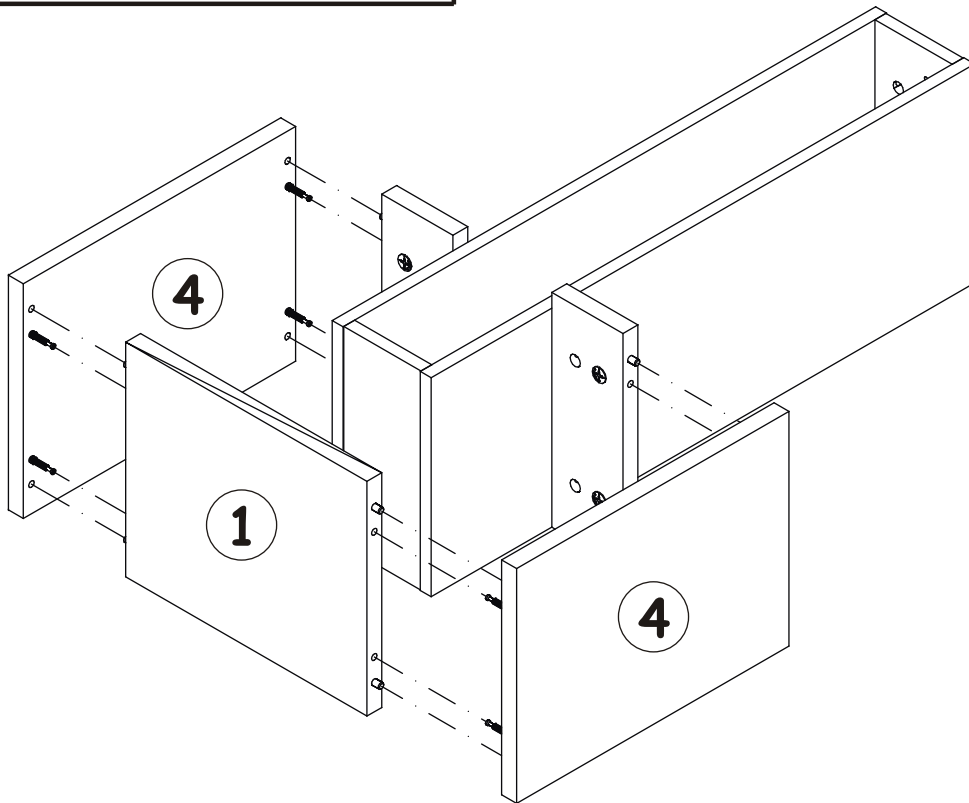


13

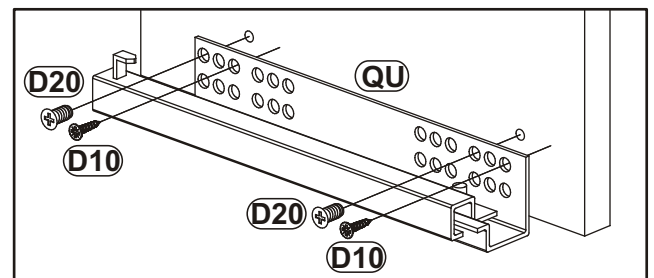
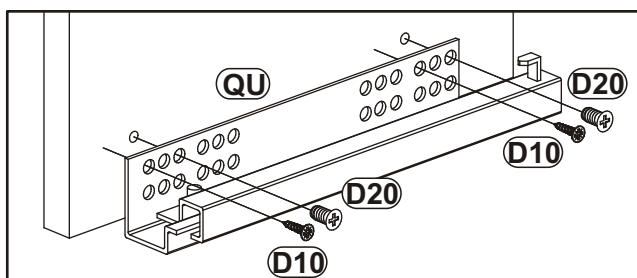
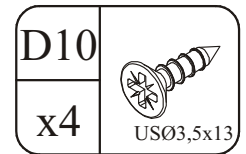
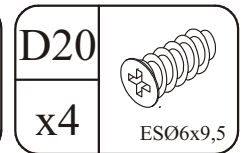
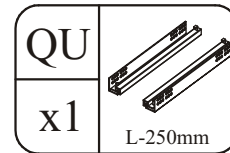
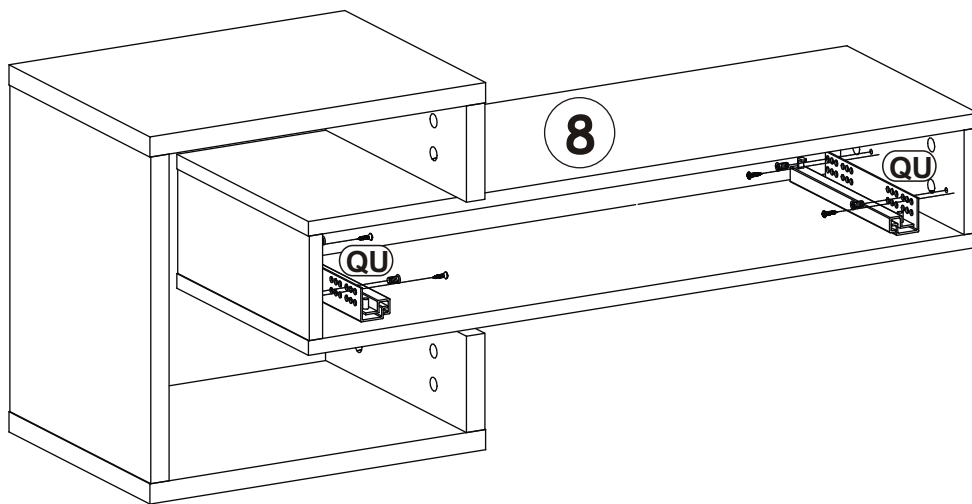
G5	
x4	



14



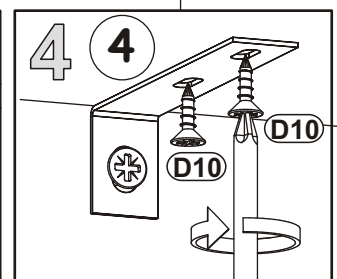
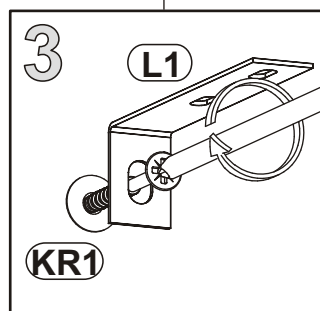
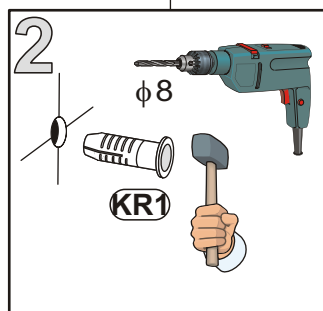
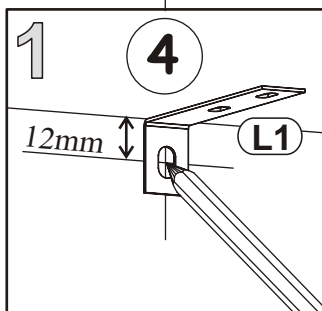
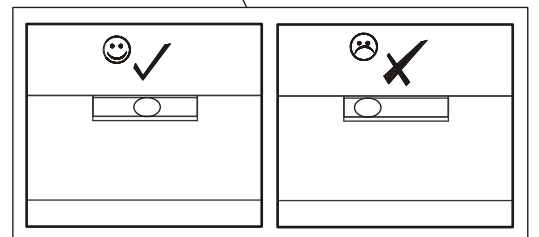
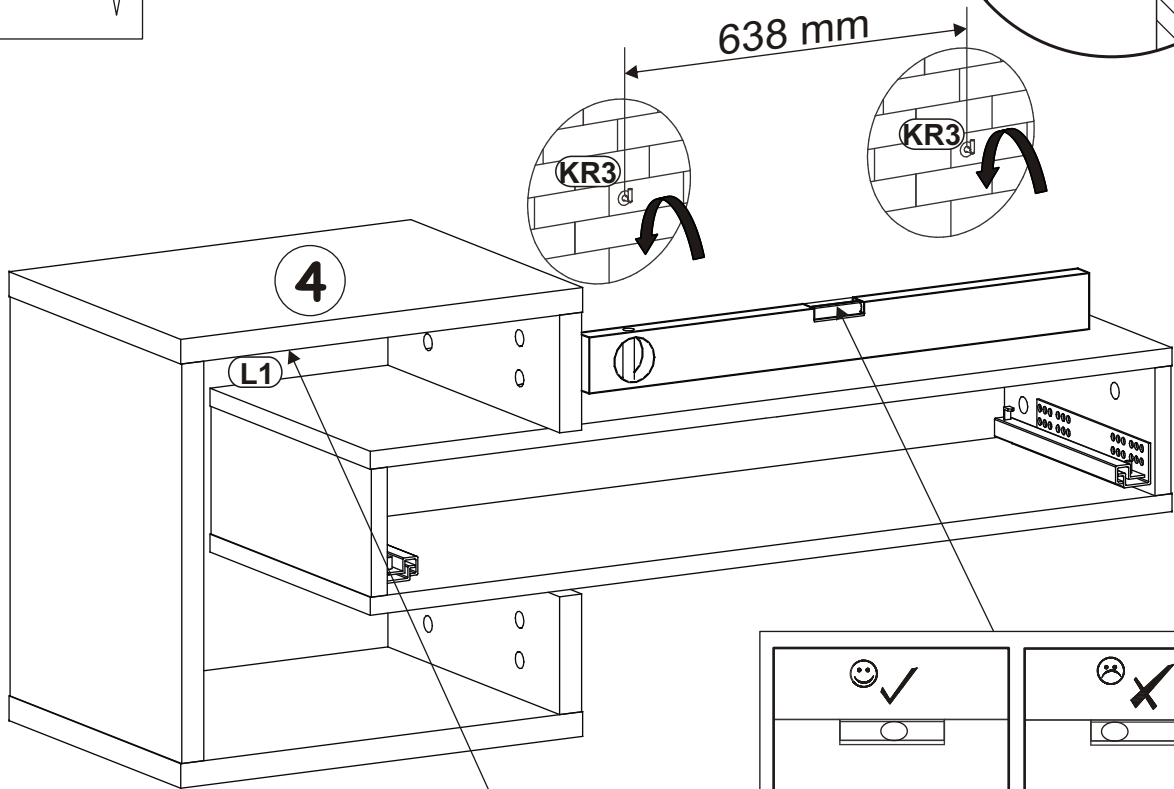
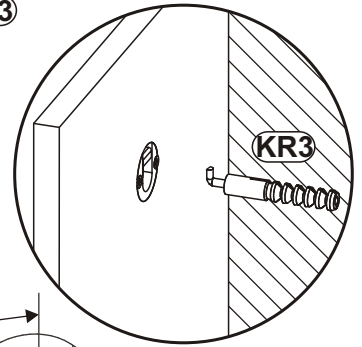
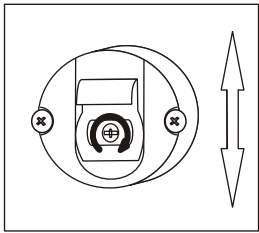
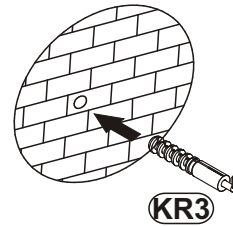
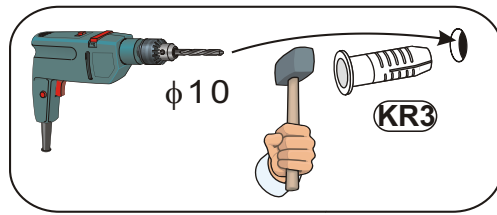
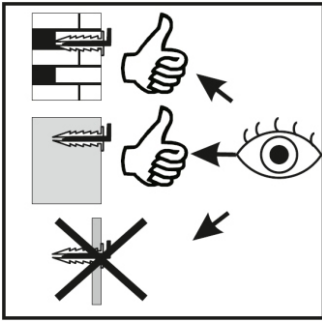
15



16

KR3		KR1		L1	
x2	Ø10	x1	Ø8	x1	

D10	
x2	USØ3,5x13



17

