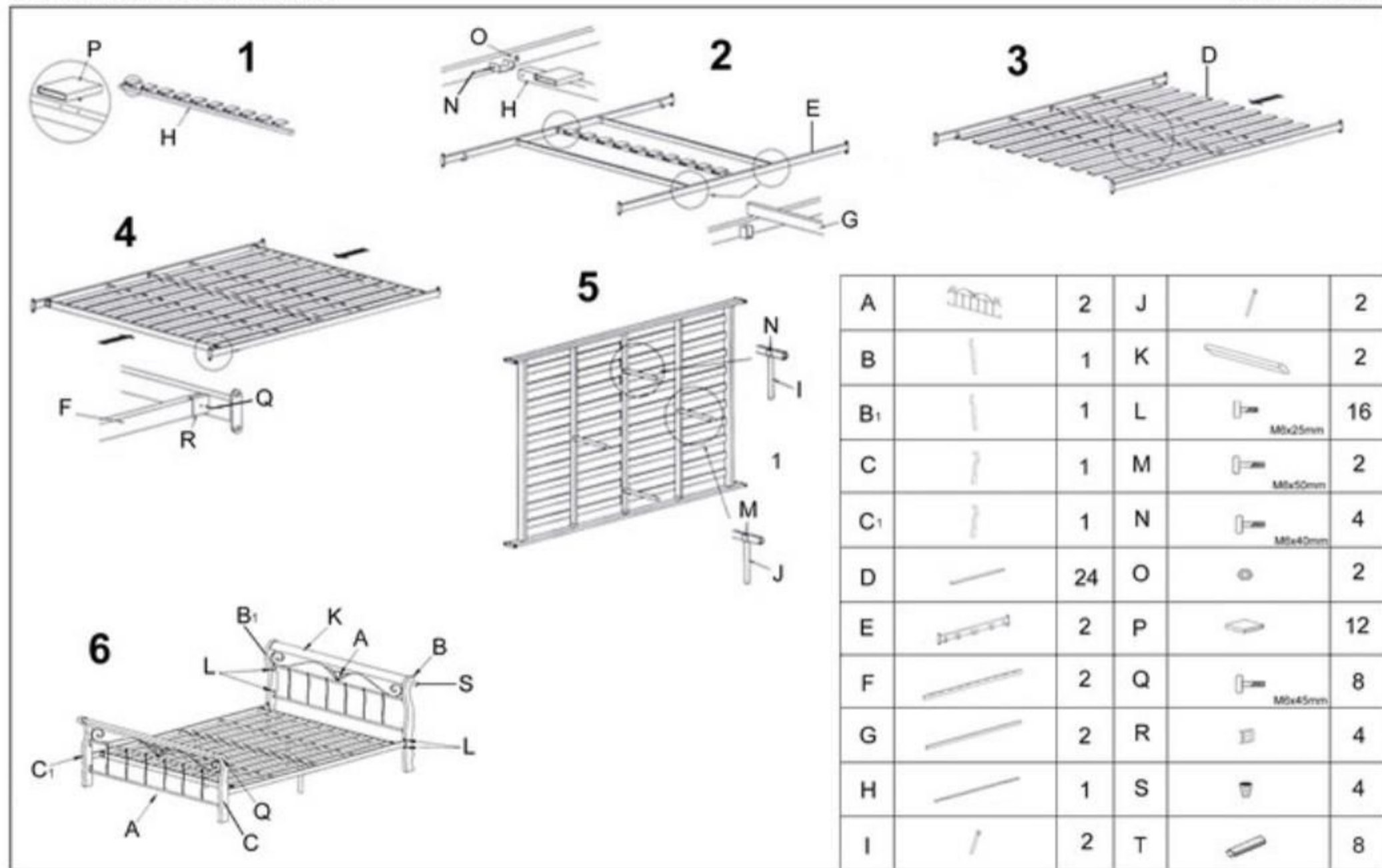


A		2	J		2
B		1	K		2
B ₁		1	L		16
C		1	M		2
C ₁		1	N		4
D		20	O		2
E		2	P		10
F		2	Q		8
G		2	R		4
H		1	S		4
I		2	T		8



A		2	J		2
B		1	K		2
B ₁		1	L		16
C		1	M		2
C ₁		1	N		4
D		24	O		2
E		2	P		12
F		2	Q		8
G		2	R		4
H		1	S		4
I		2	T		8