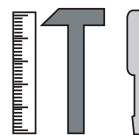
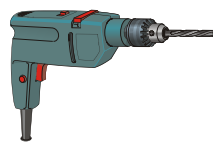
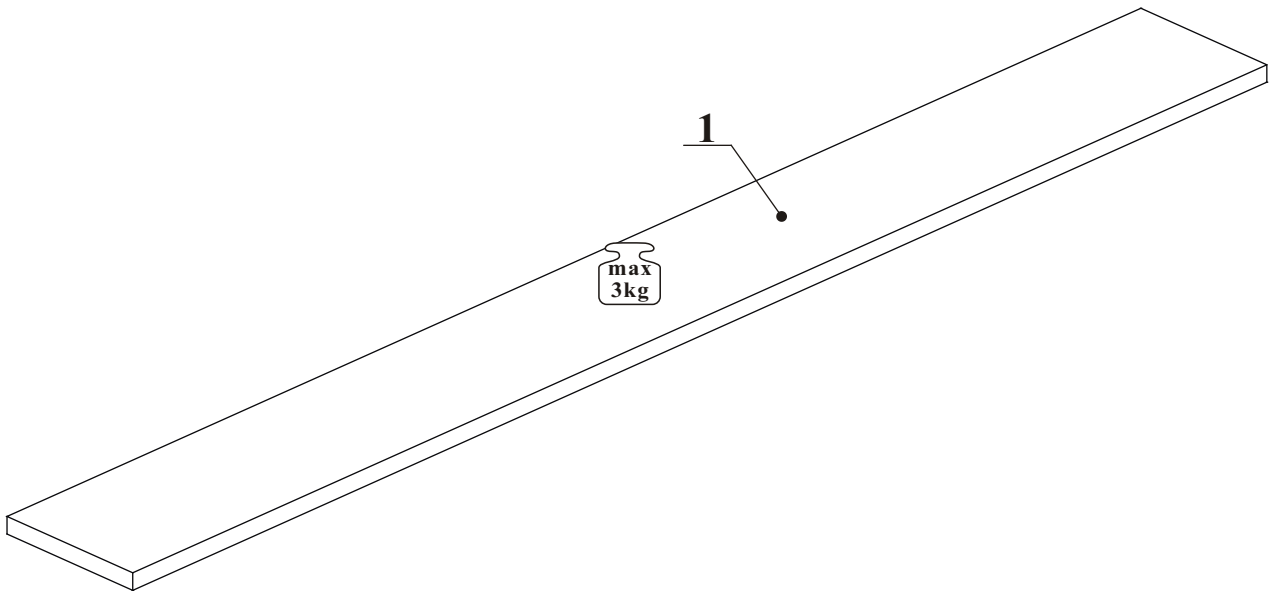
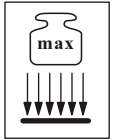


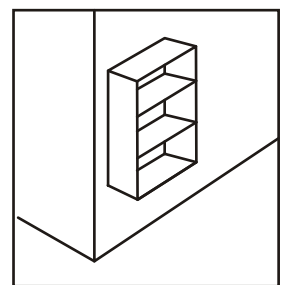
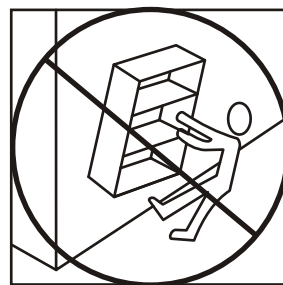
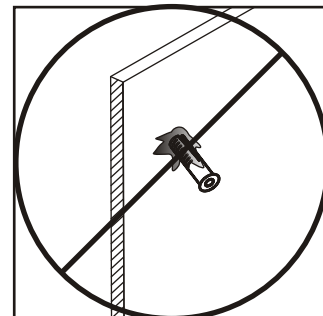
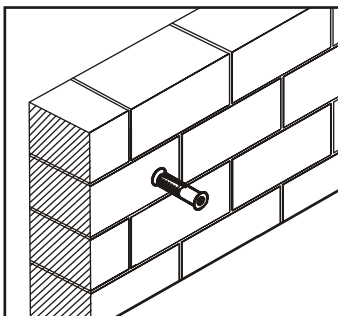
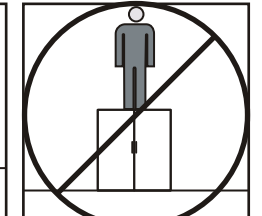
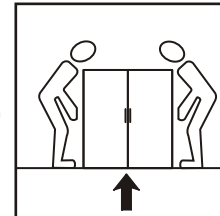
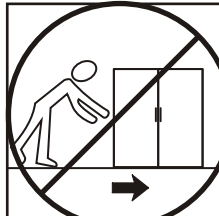
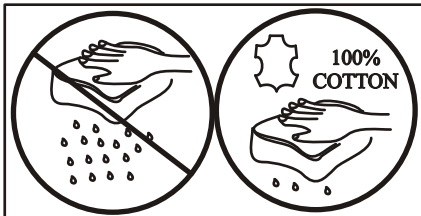
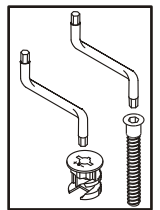
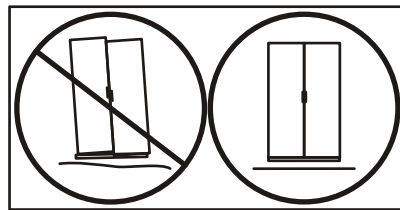
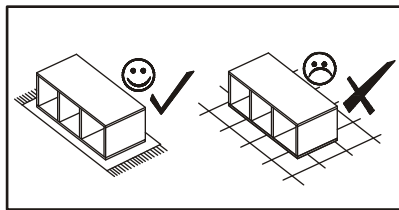
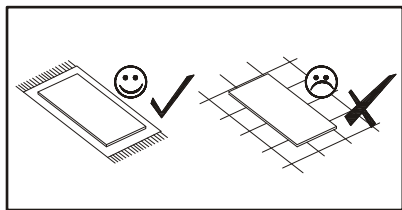
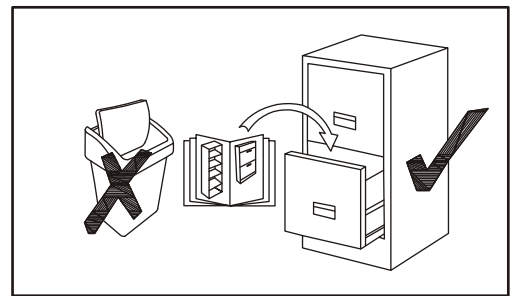
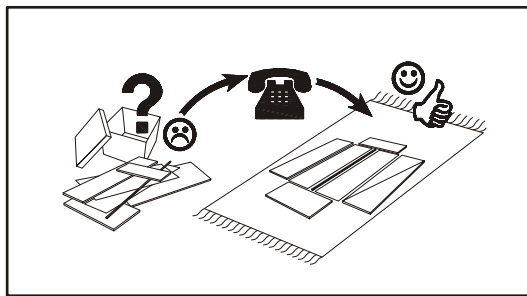
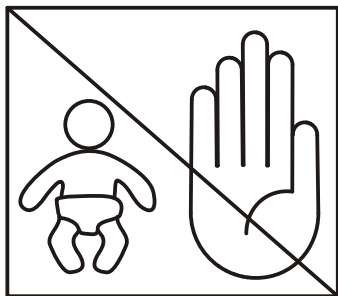
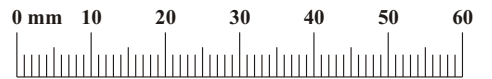
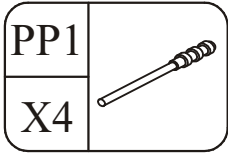
SWITCH PW 1



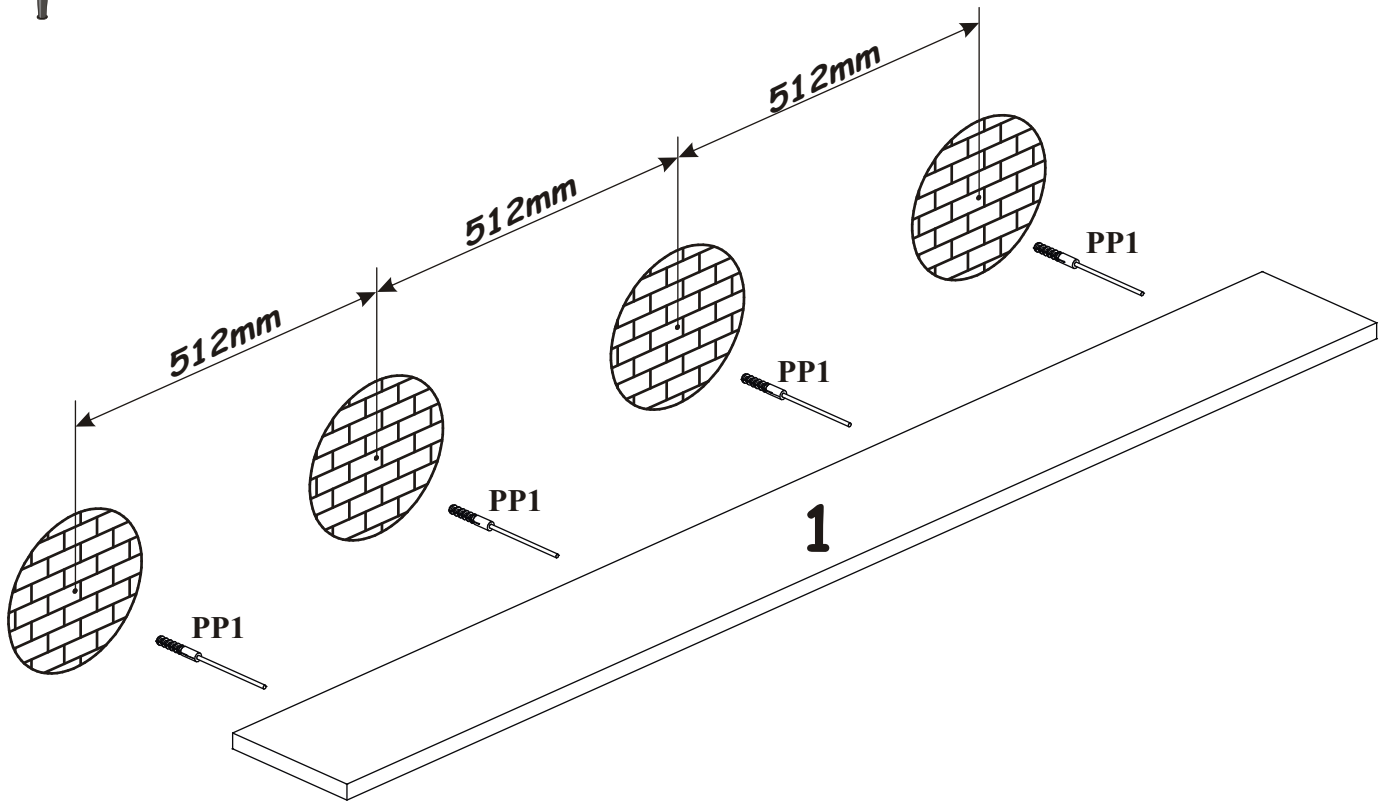
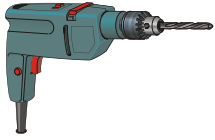
10 min

NO	Dim.	Col.-No	Qty
1	1802 200	1	1

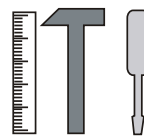
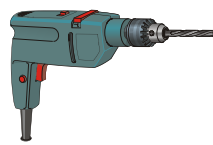
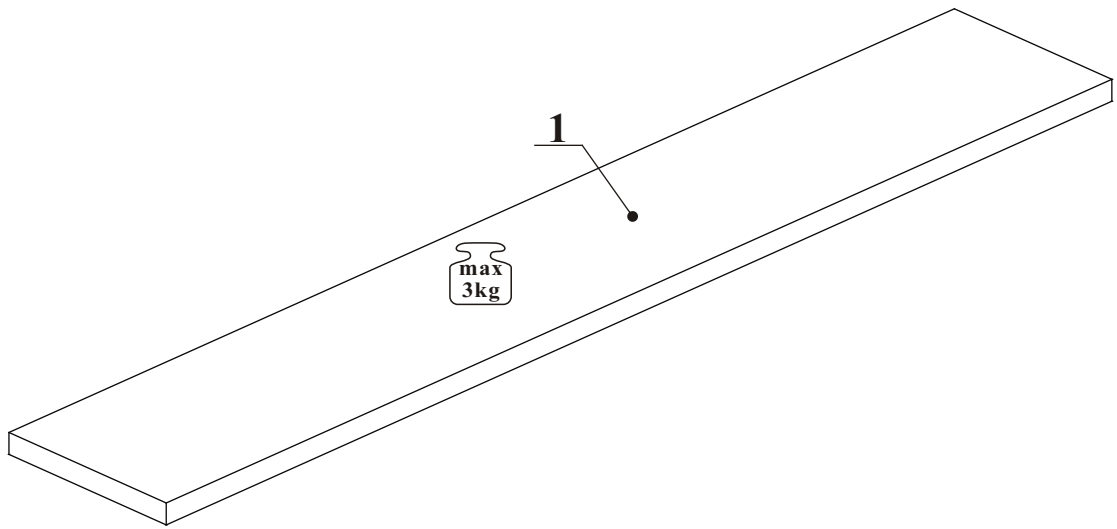
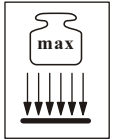
SWITCH PW 1



SWITCH PW 1



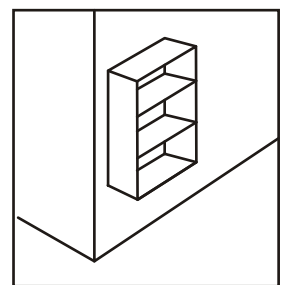
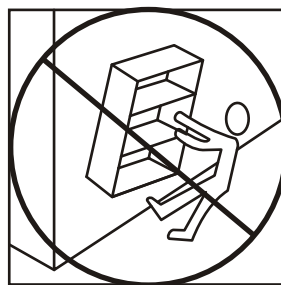
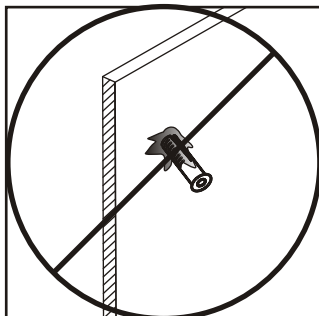
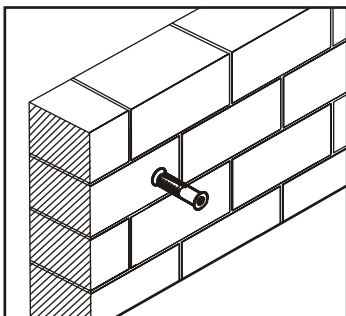
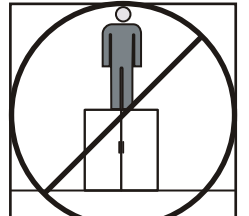
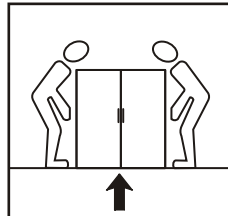
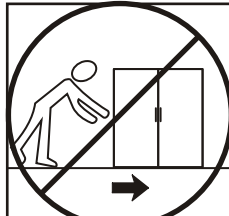
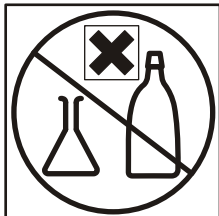
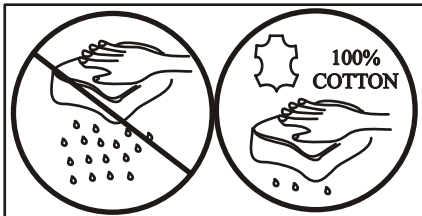
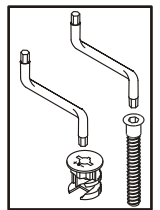
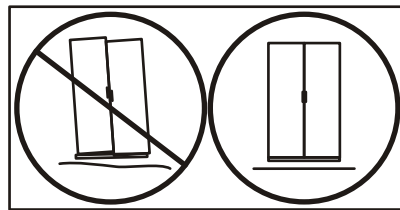
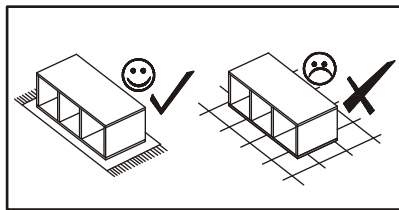
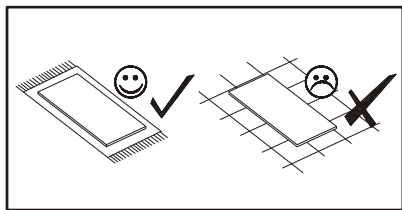
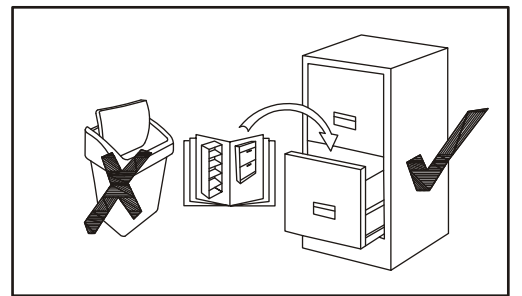
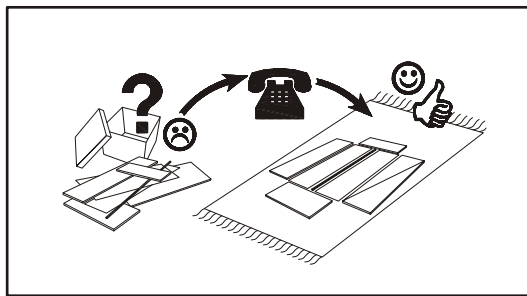
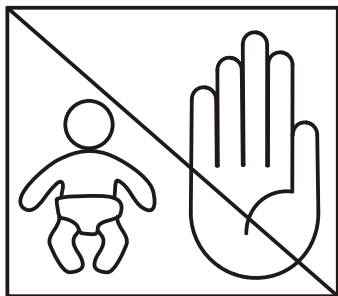
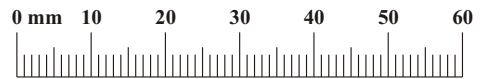
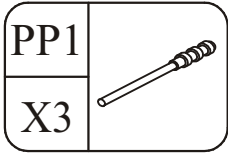
SWITCH PW 2



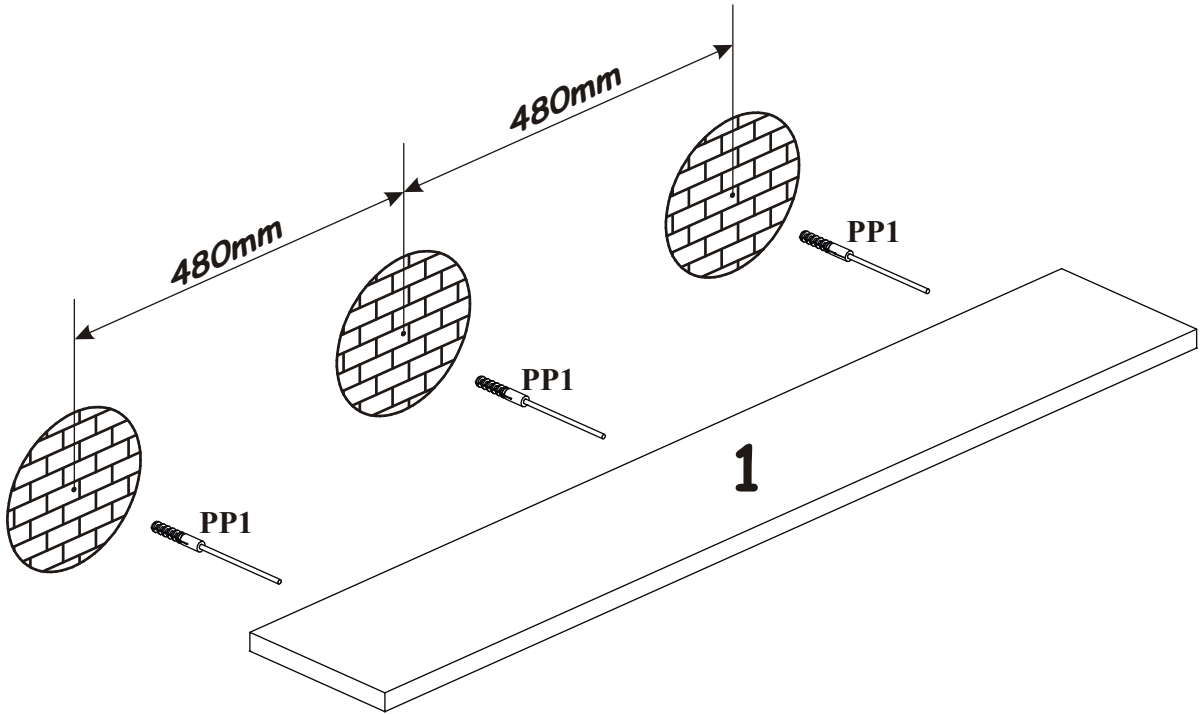
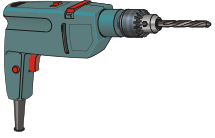
10 min

NO	Dim.		Col.-No	Qty
1	1202	200	1	1

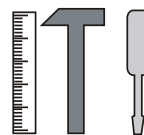
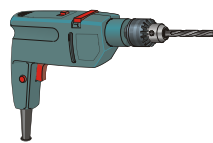
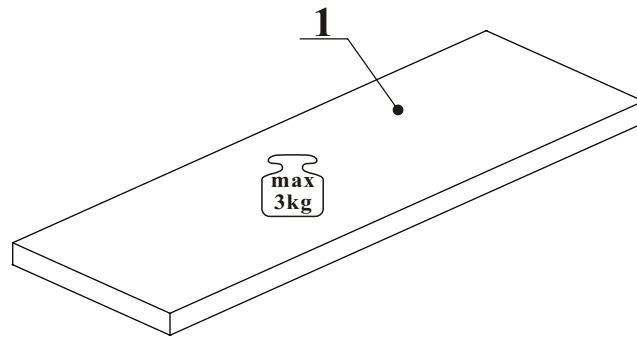
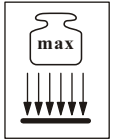
SWITCH PW 2



SWITCH PW 2



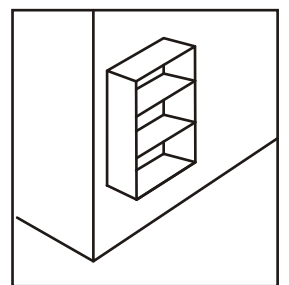
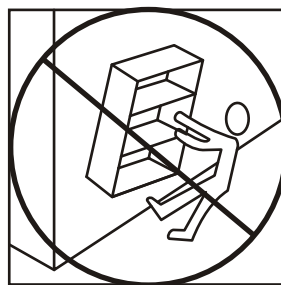
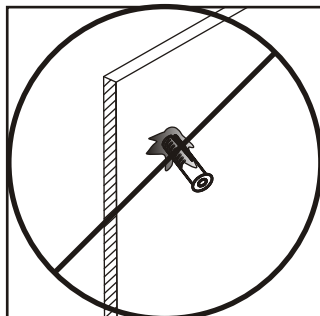
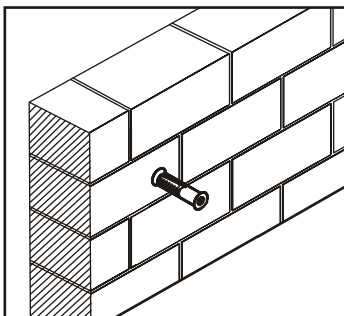
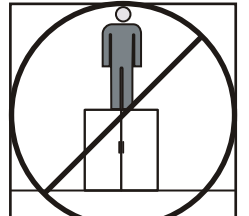
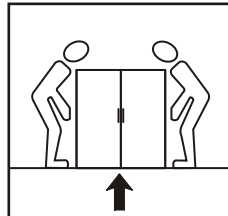
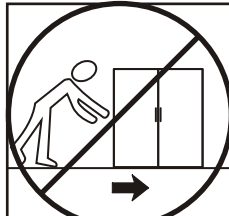
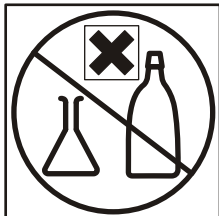
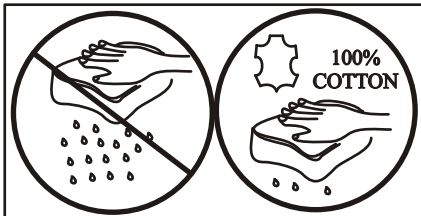
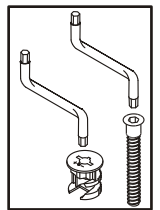
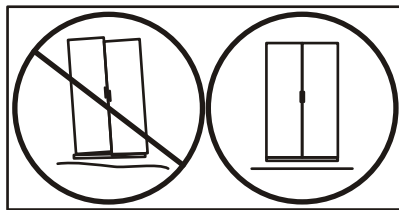
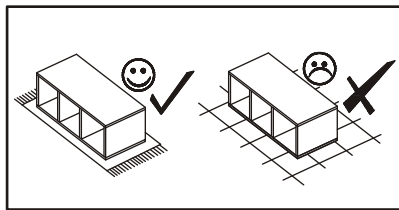
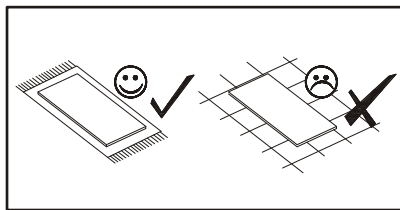
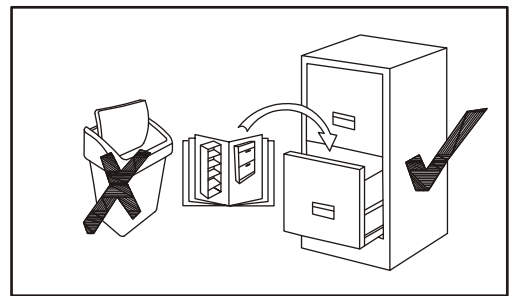
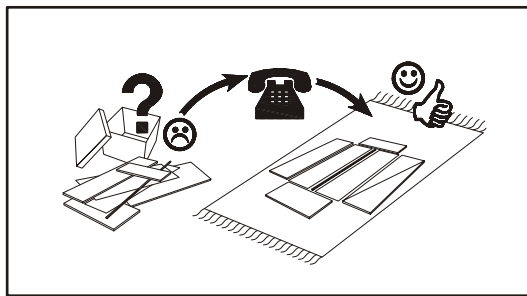
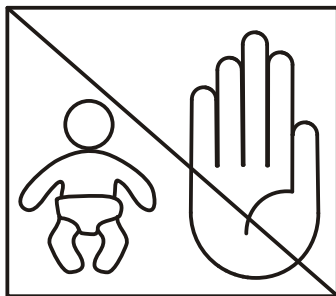
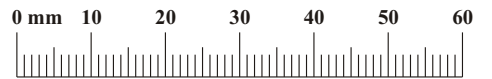
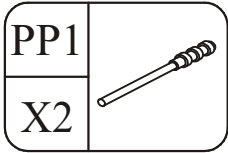
SWITCH PW 3



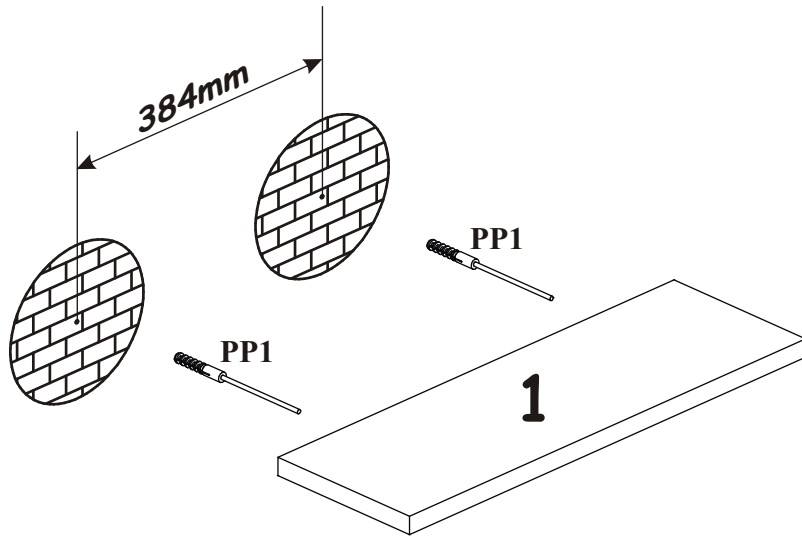
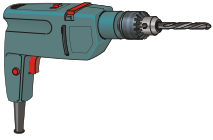
10 min

NO	Dim.		Col.-No	Qty
1	602	200	1	1

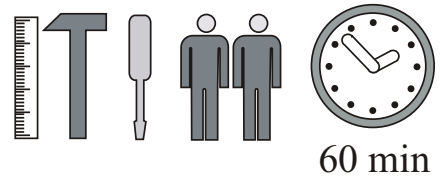
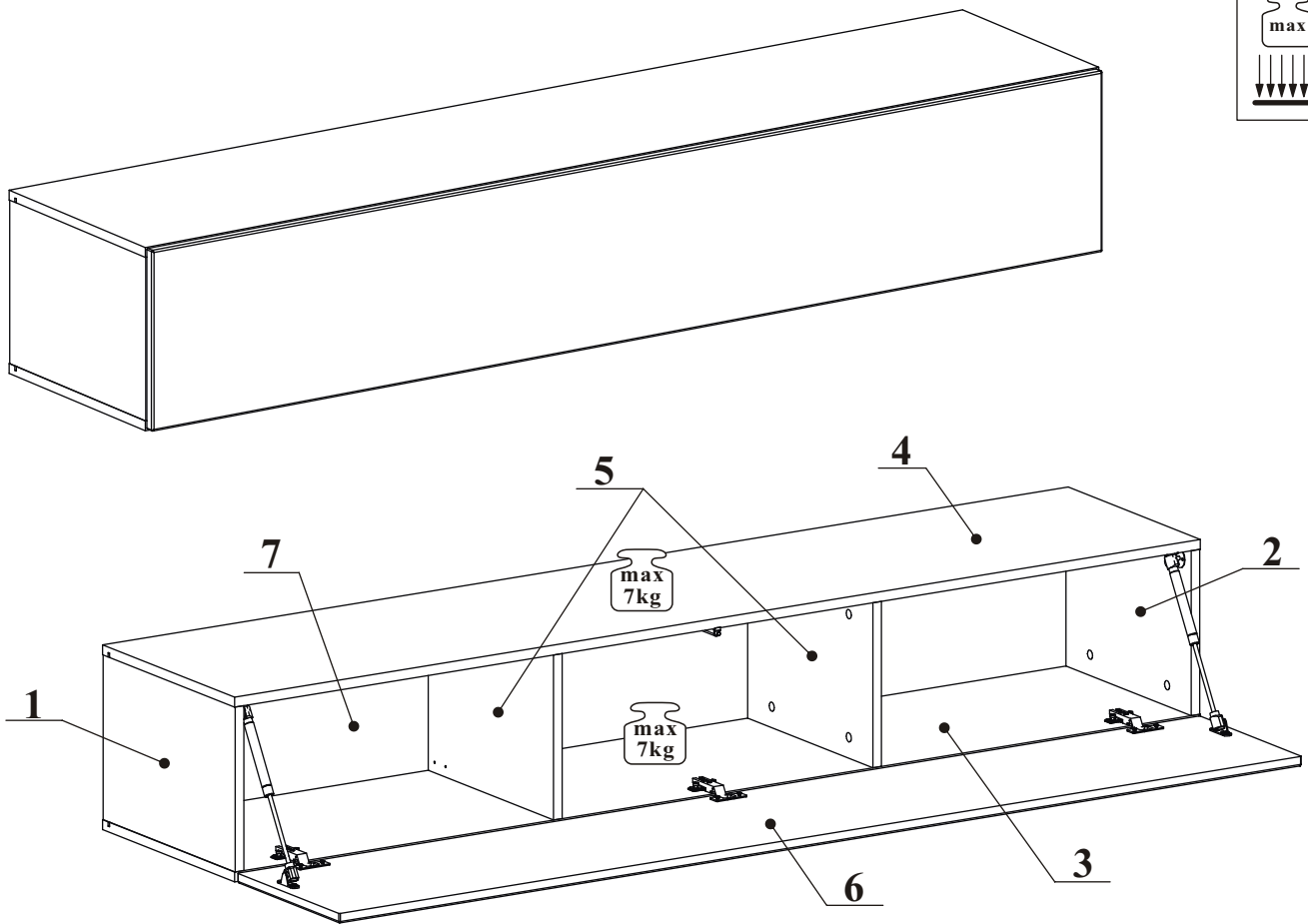
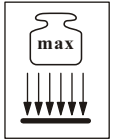
SWITCH PW 3



SWITCH PW 3



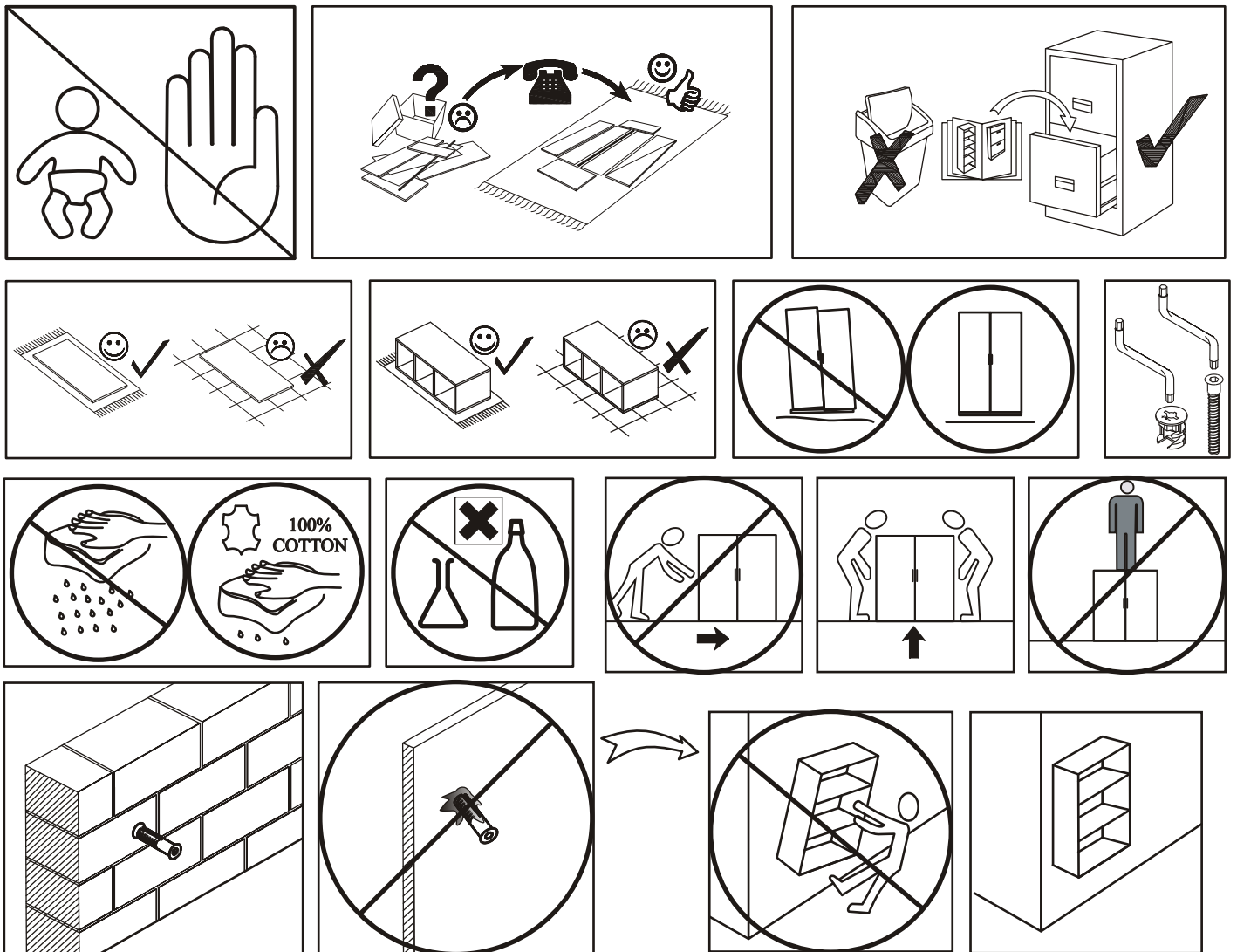
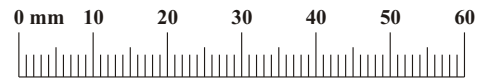
SWITCH RTV 1



NO	Dim.		Col.-No	Qty
1	268	384	1	1
2	268	384	1	1
3	1802	384	1	1
4	1802	384	1	1
5	268	364	1	2
7	1780	280	1	1
6	1796	296	1	1

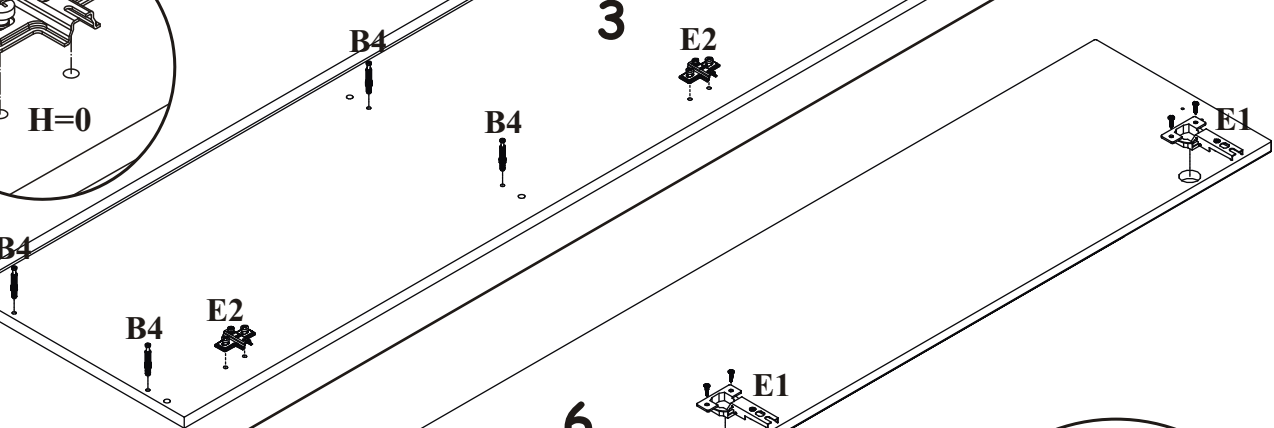
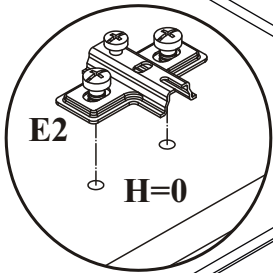
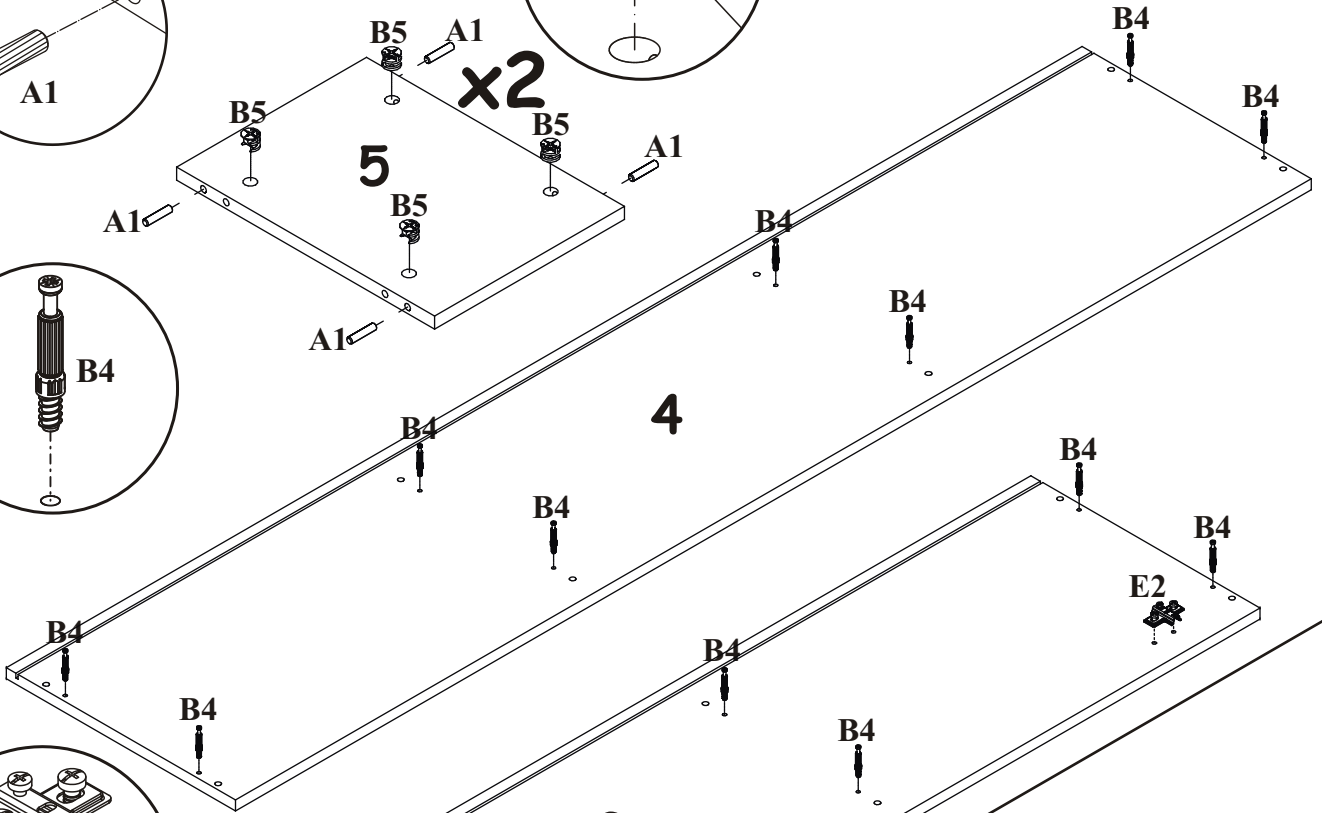
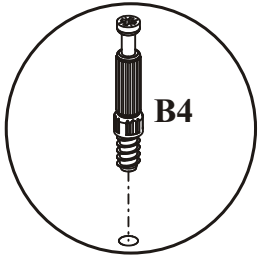
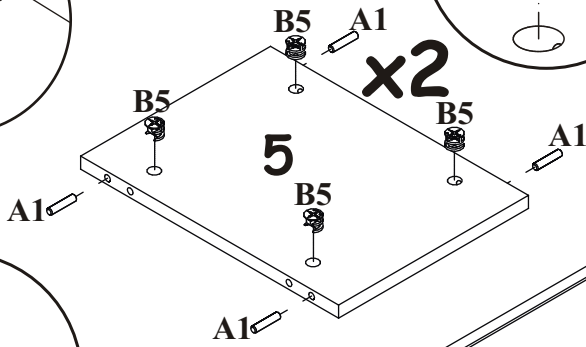
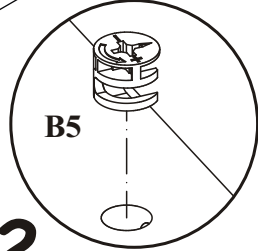
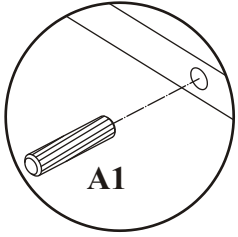
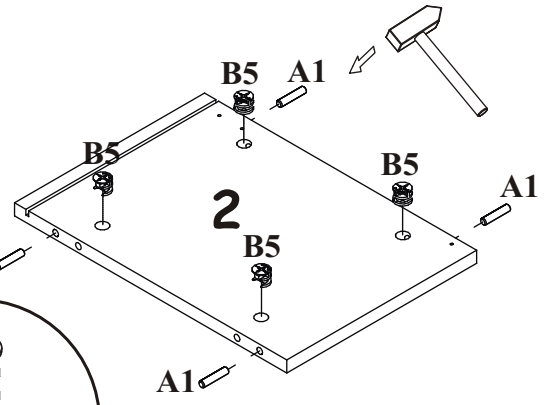
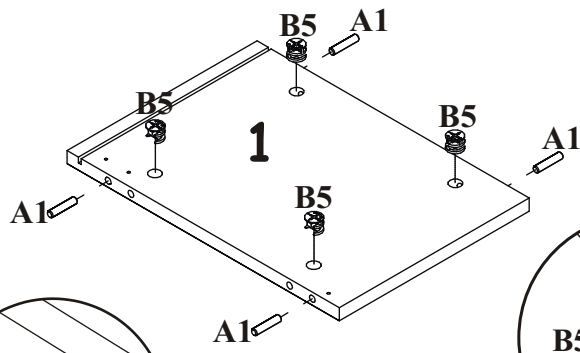
SWITCH RTV 1

A1 X16 ø8x36	B4 X16	G5 X16	B5 X16 ø15x12	ZR1 X4	D6 X8 USØ3,5x30
E1 X3 Ø26 H=0	E2 X3 H=0	D10 X12 USØ3,5x13	OD1 X1	S1 X12	BP1 X2
KR2 X4	G2 X1				

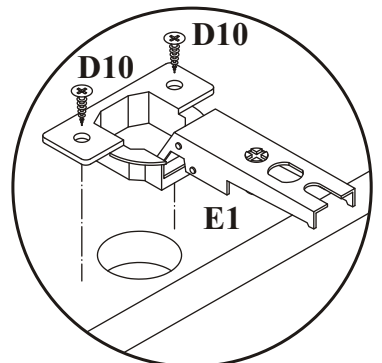
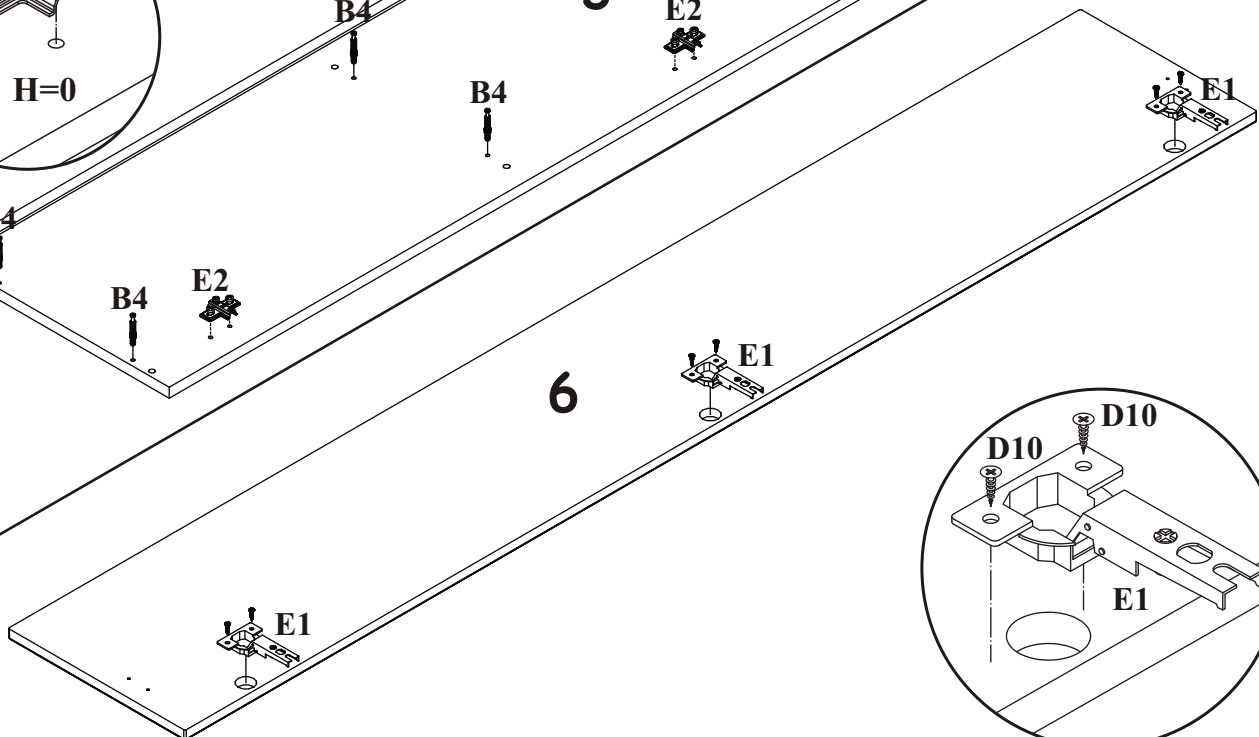


SWITCH RTV 1

1

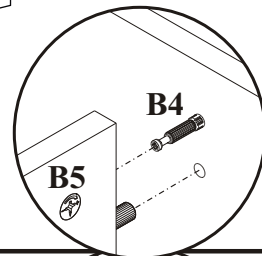
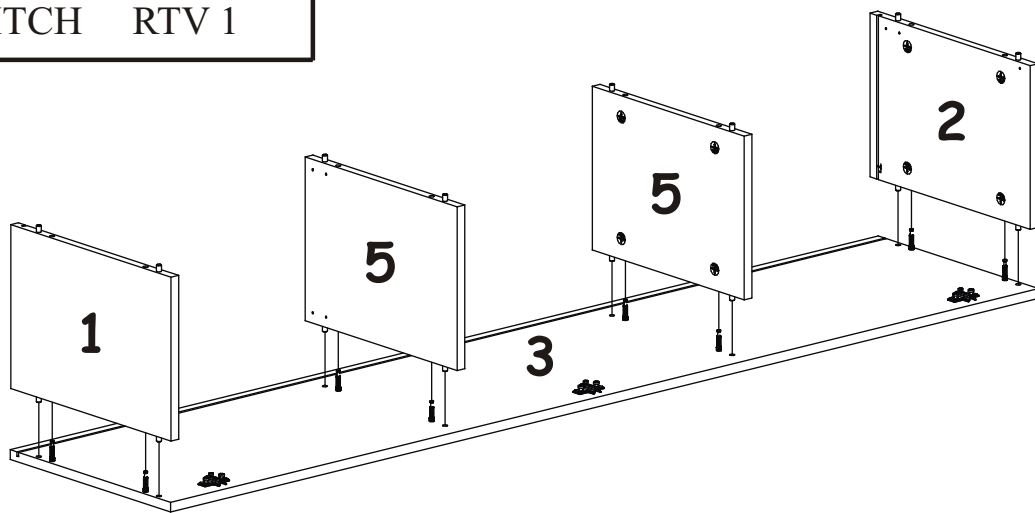


2

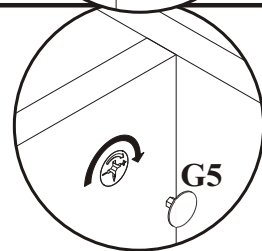
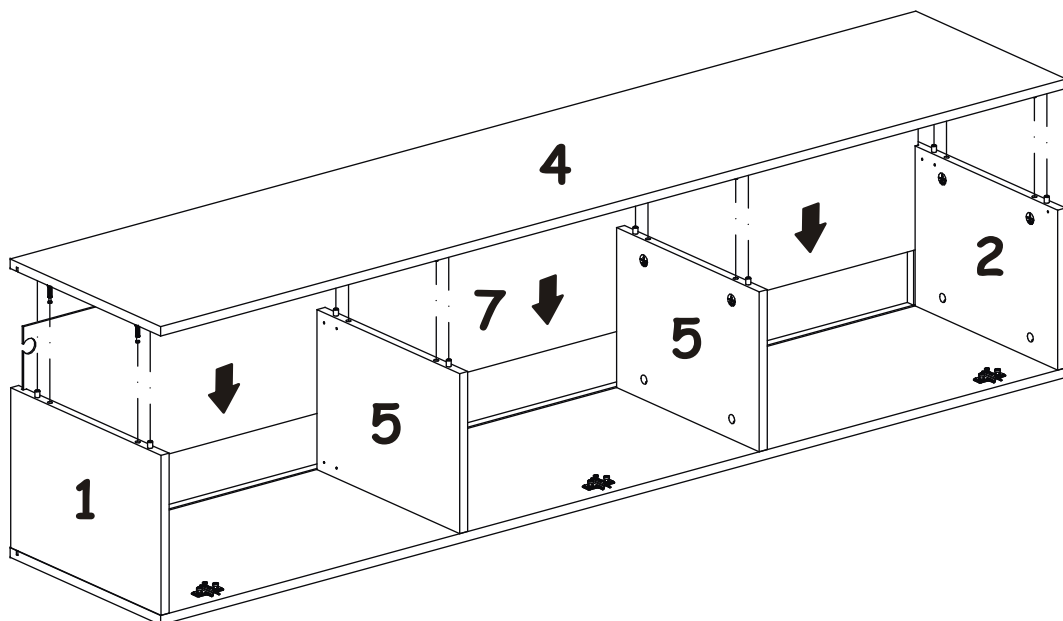


SWITCH RTV 1

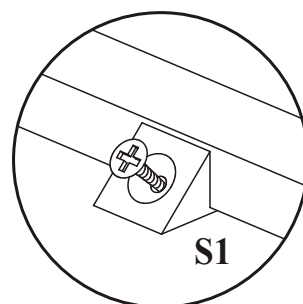
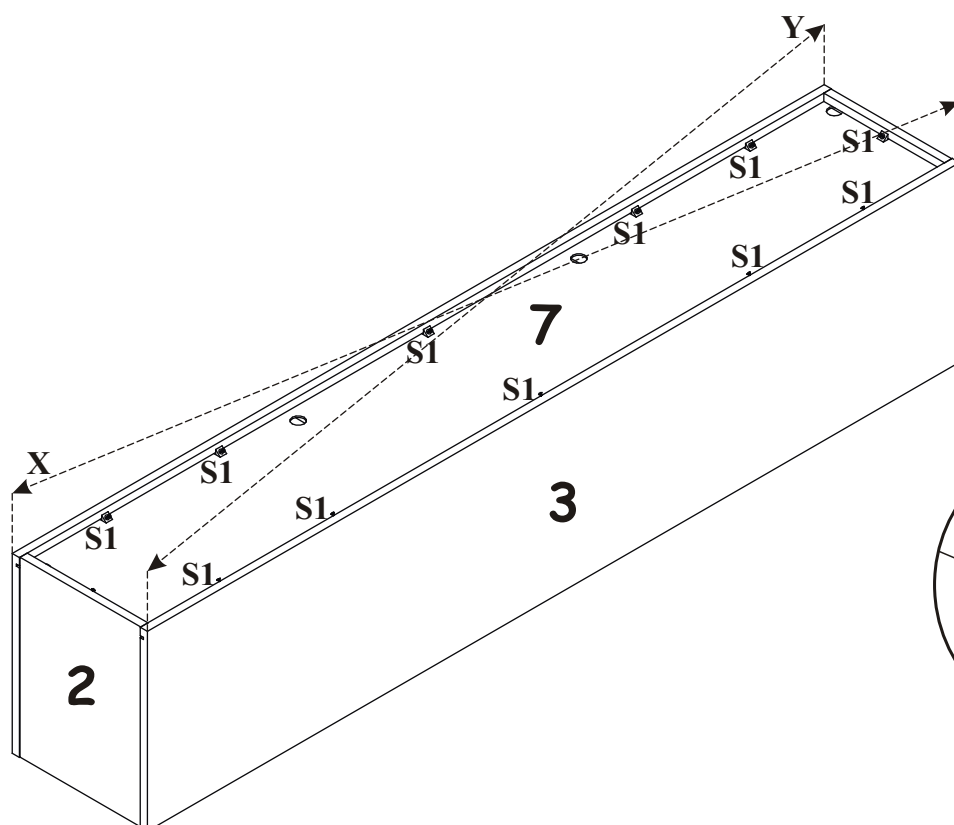
3



4

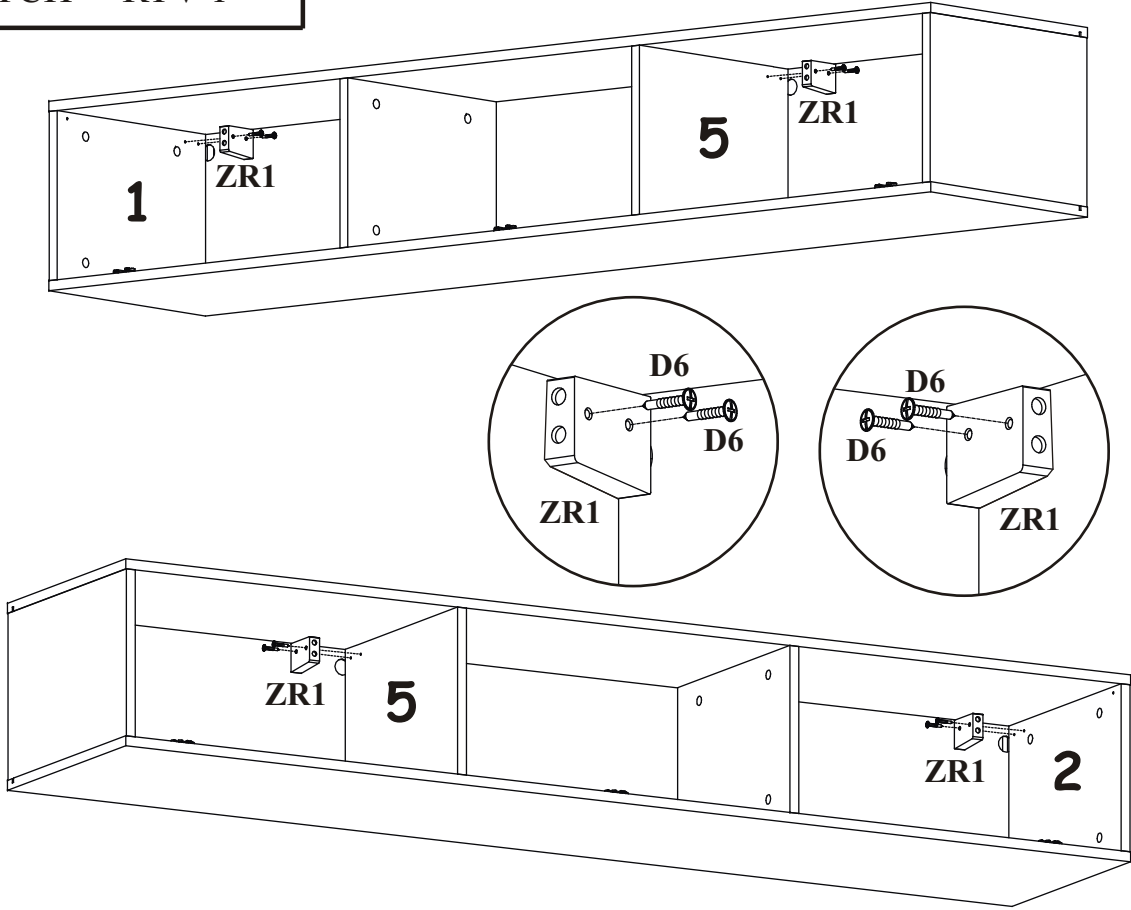


5

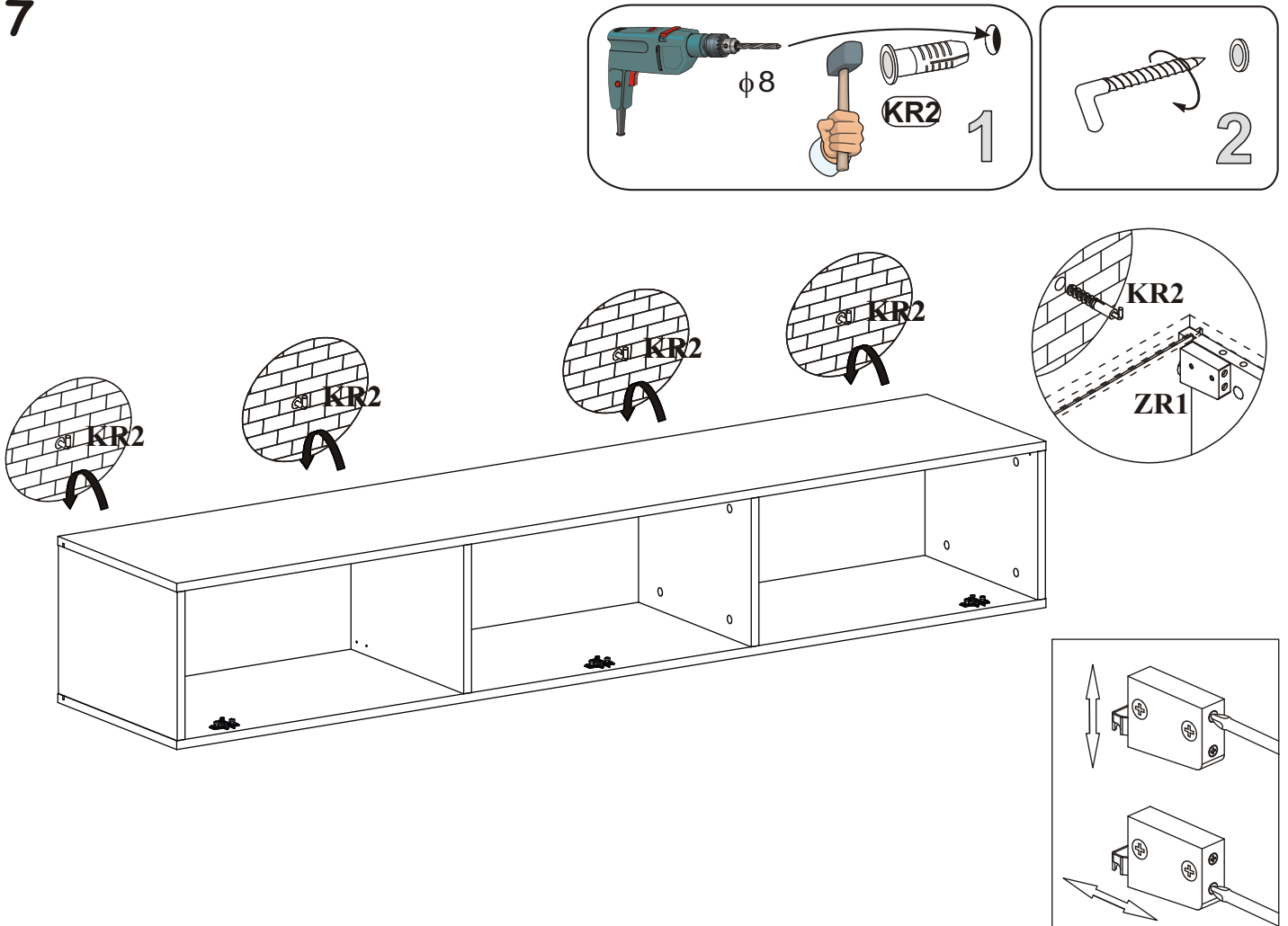


SWITCH RTV 1

6

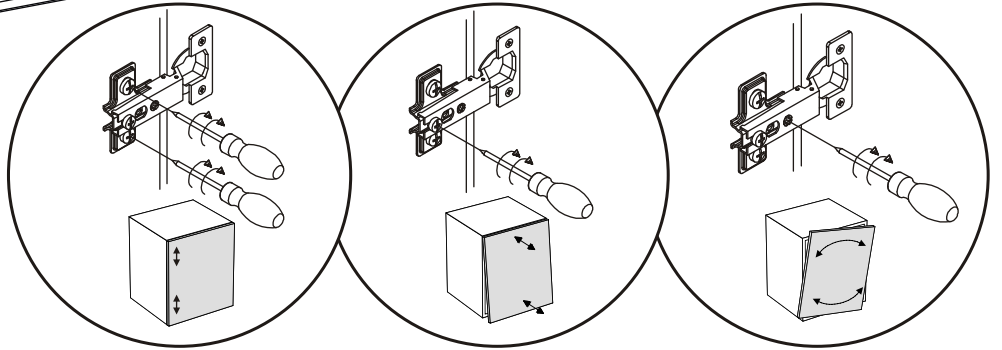
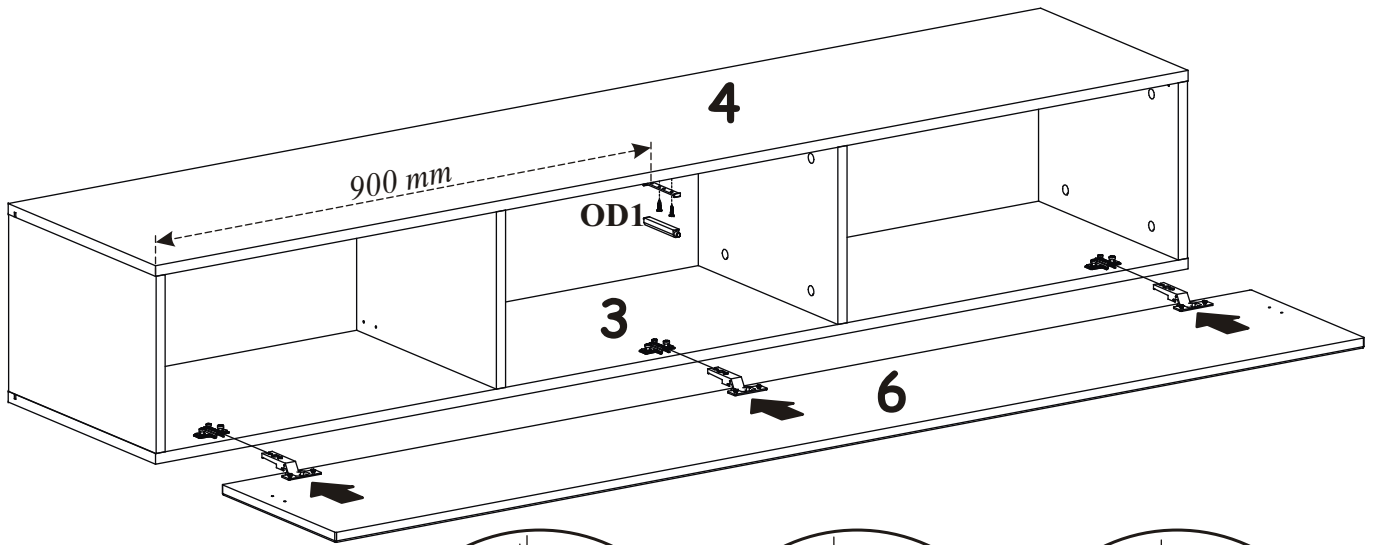
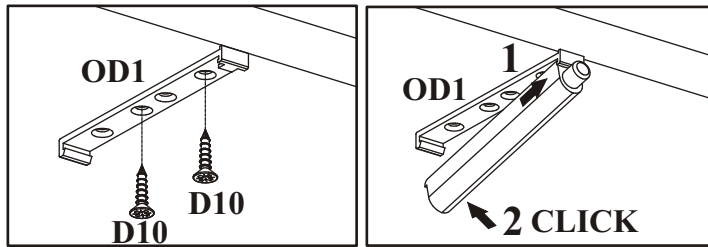


7

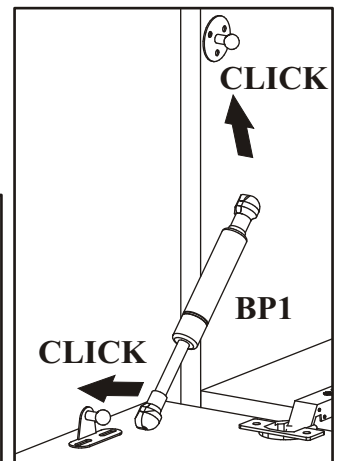
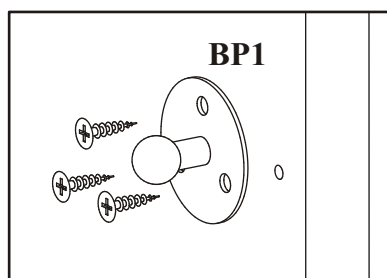
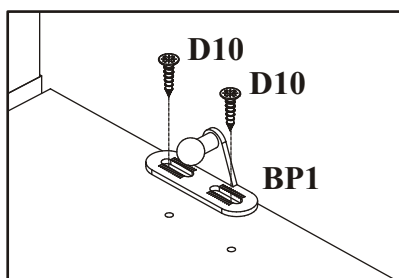
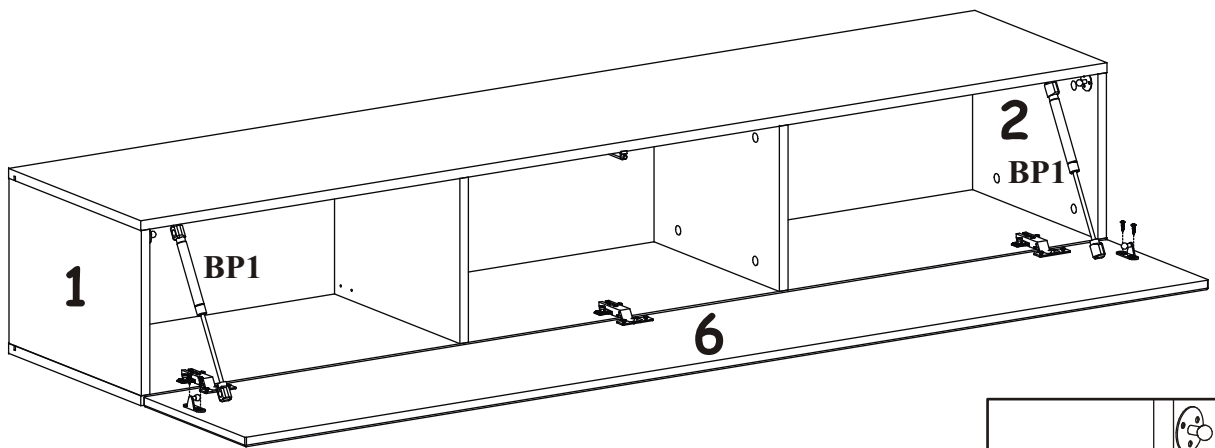


SWITCH RTV 1

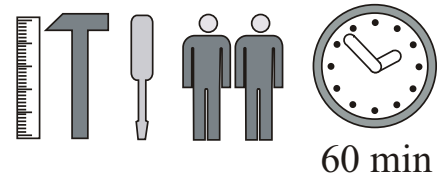
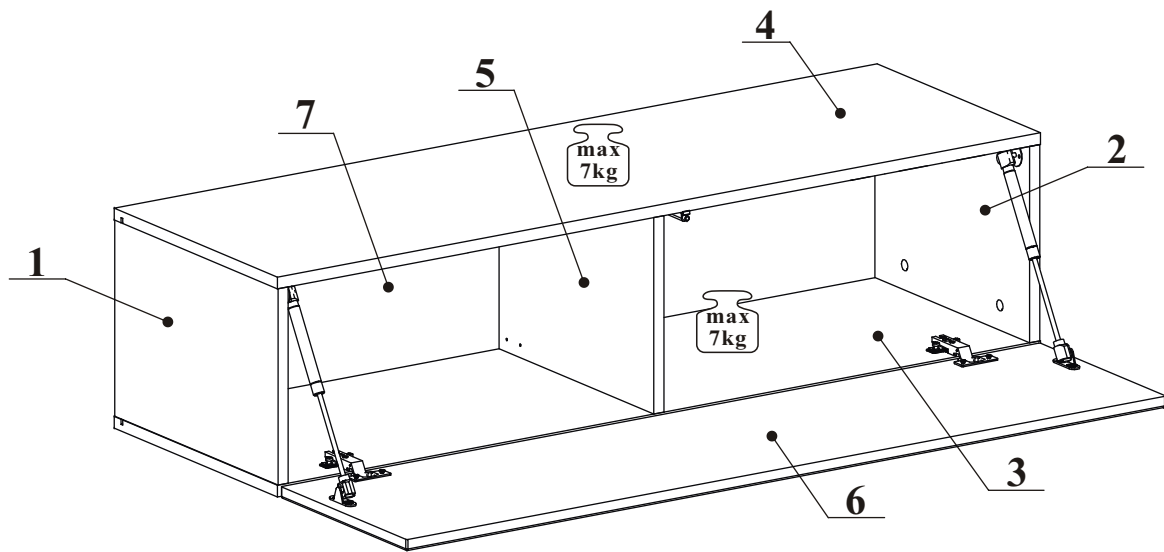
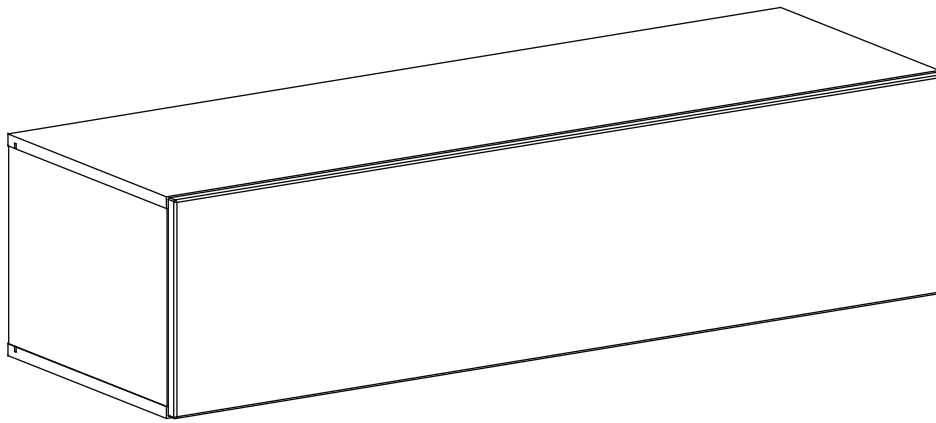
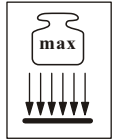
8



9



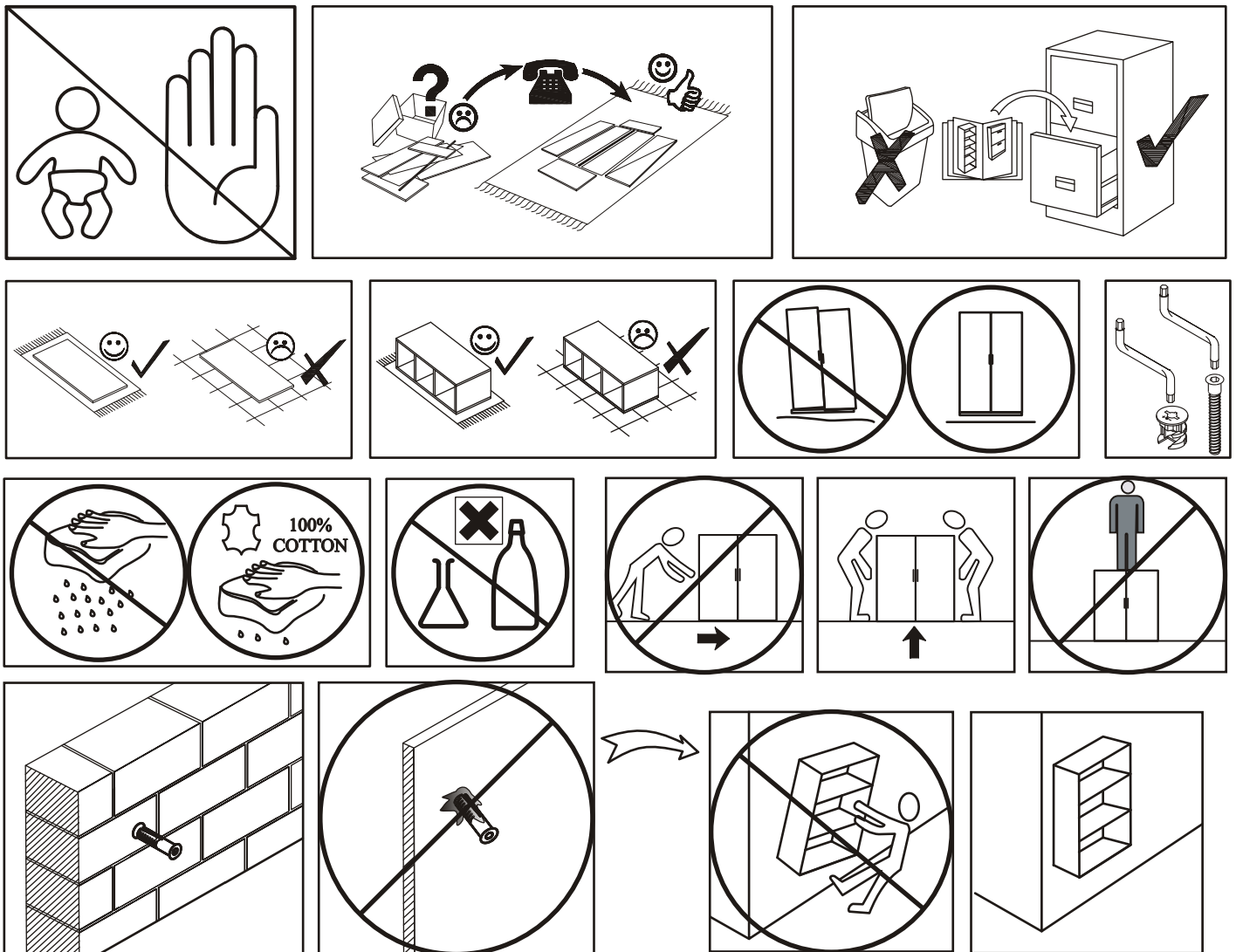
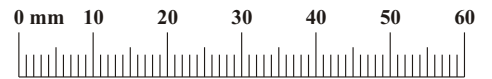
SWITCH RTV 2



NO	Dim.		Col.-No	Qty
1	268	384	1	1
2	268	384	1	1
3	1202	384	1	1
4	1202	384	1	1
5	268	364	1	1
7	1180	280	1	1
6	1196	296	1	1

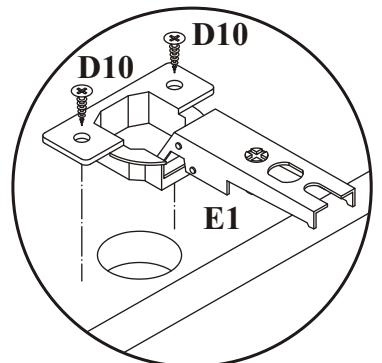
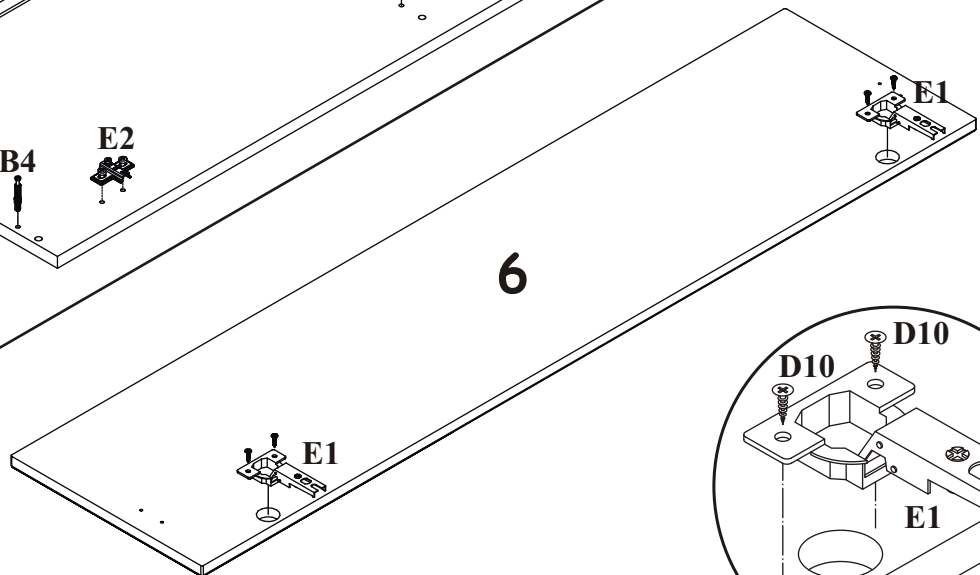
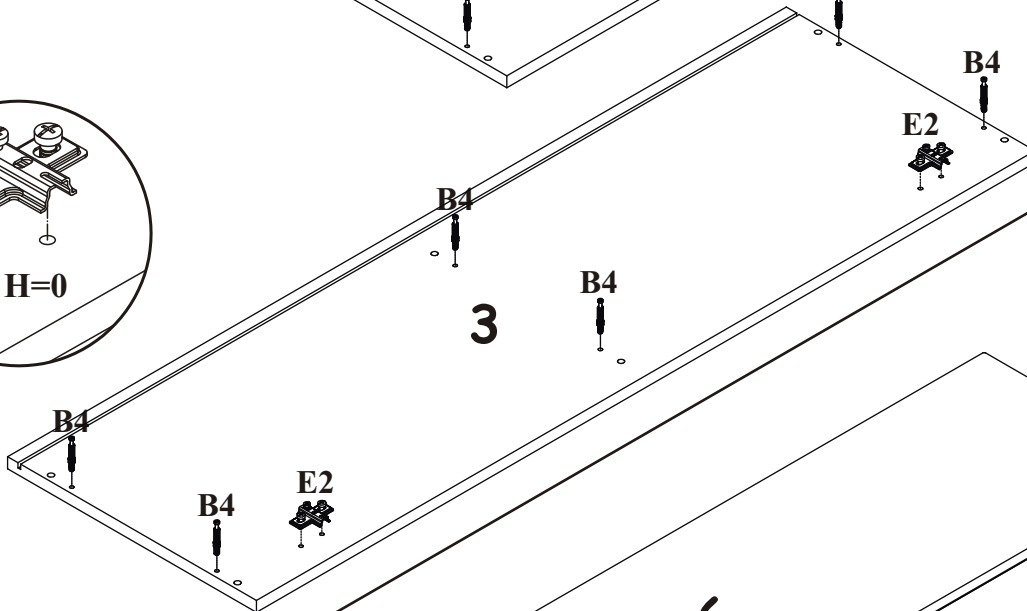
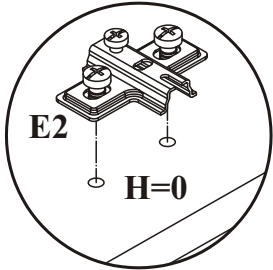
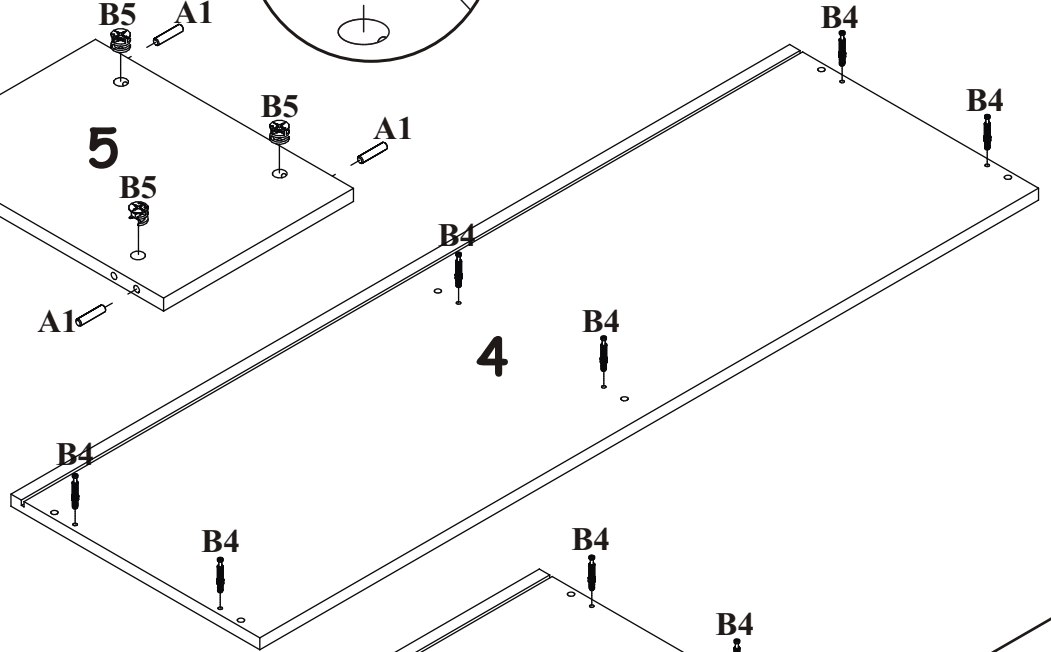
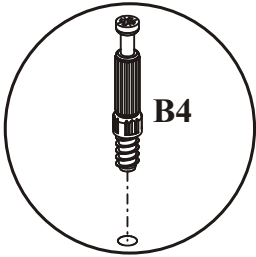
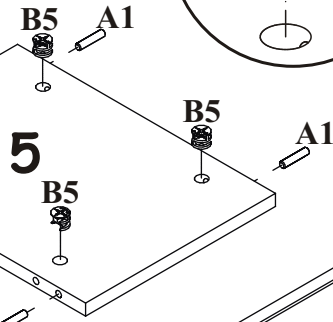
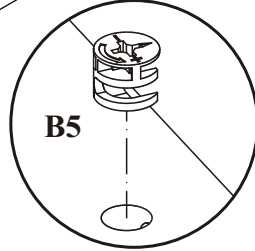
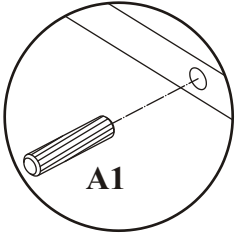
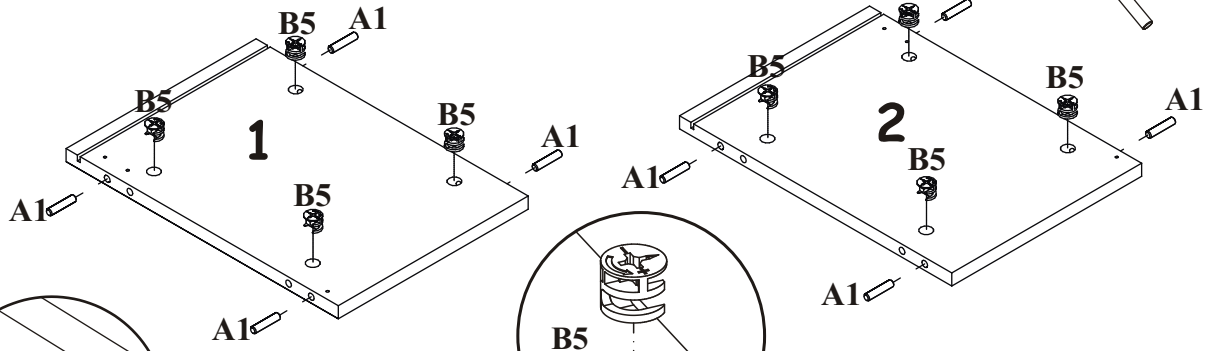
SWITCH RTV 2

A1 X12 ø8x36	B4 X12	G5 X12	B5 X12 ø15x12	ZR1 X3	D6 X6 USØ3,5x30
E1 X2 Ø26 H=0	E2 X2 H=0	D10 X10 USØ3,5x13	OD1 X1	S1 X10	BP1 X2
KR2 X3	G2 X1				



SWITCH RTV 2

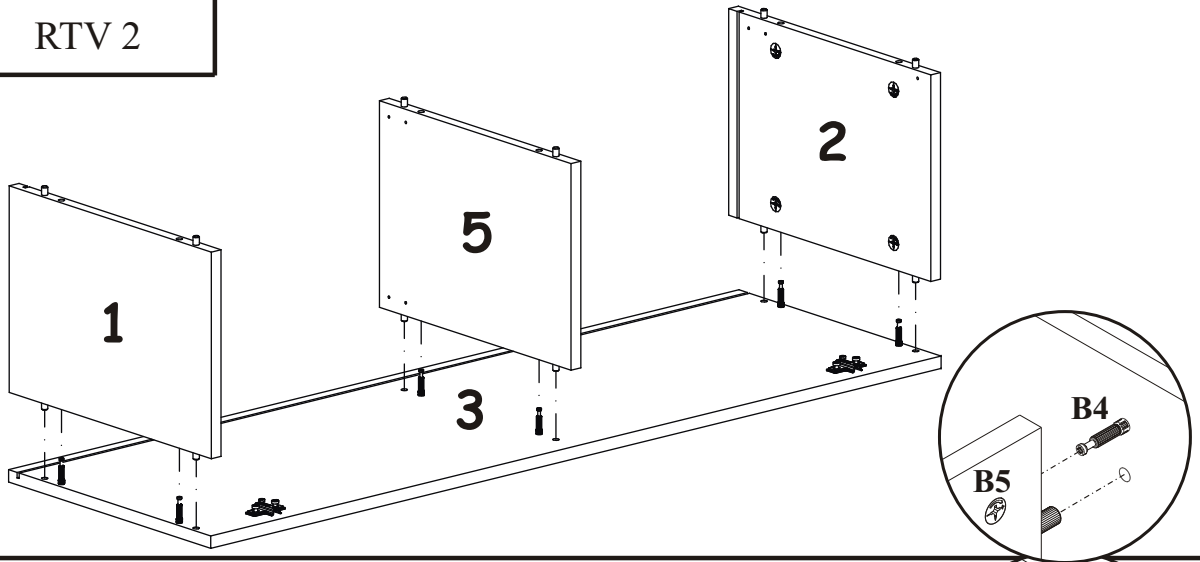
1



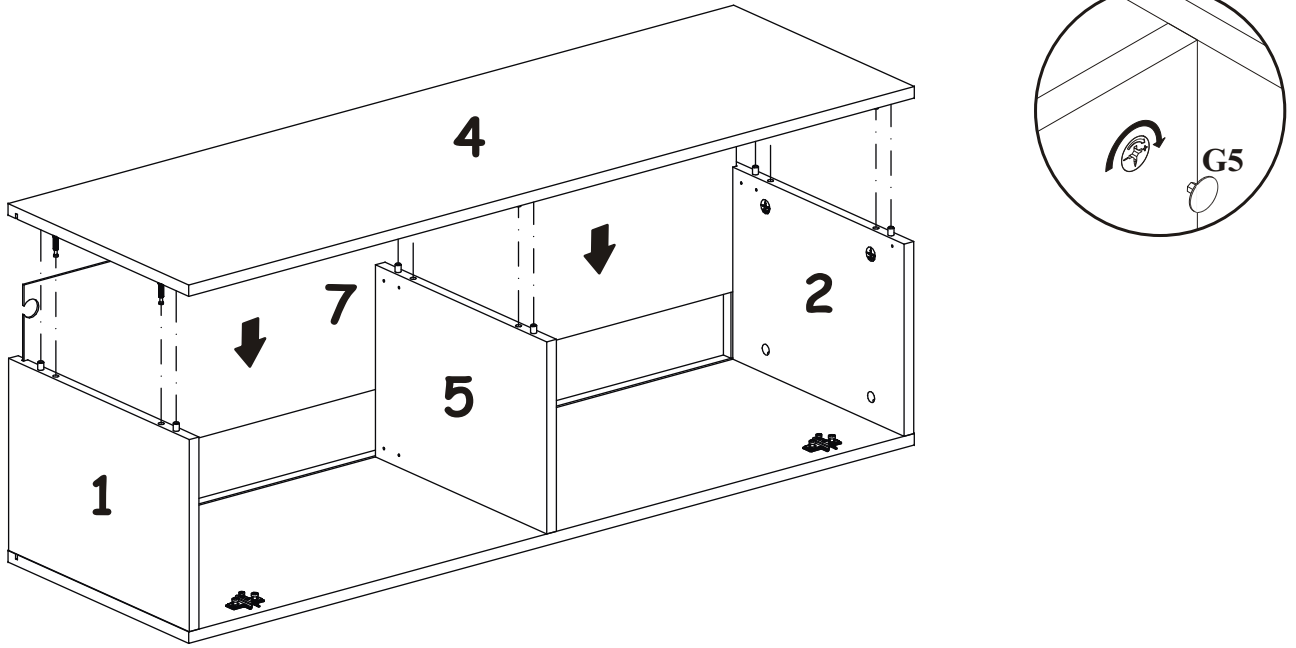
2

SWITCH RTV 2

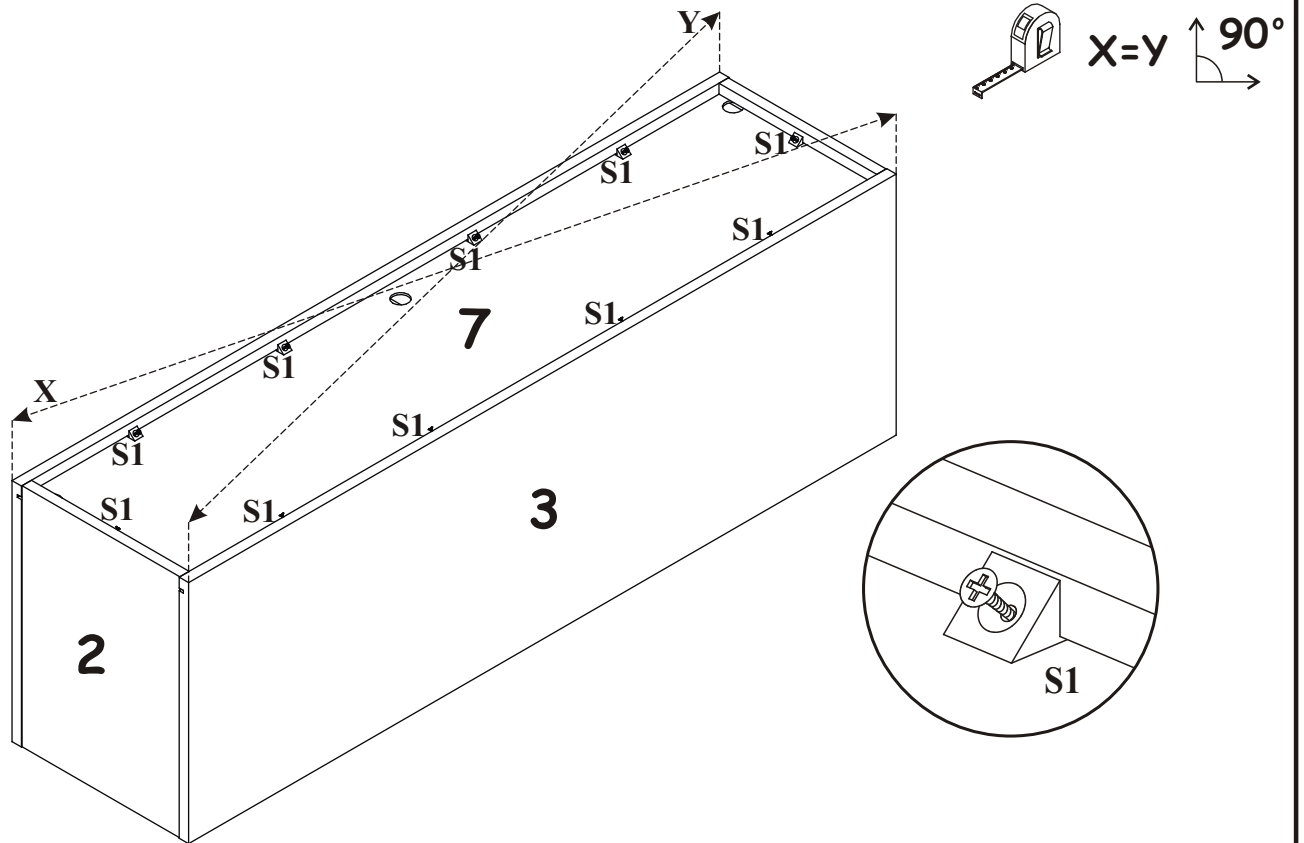
3



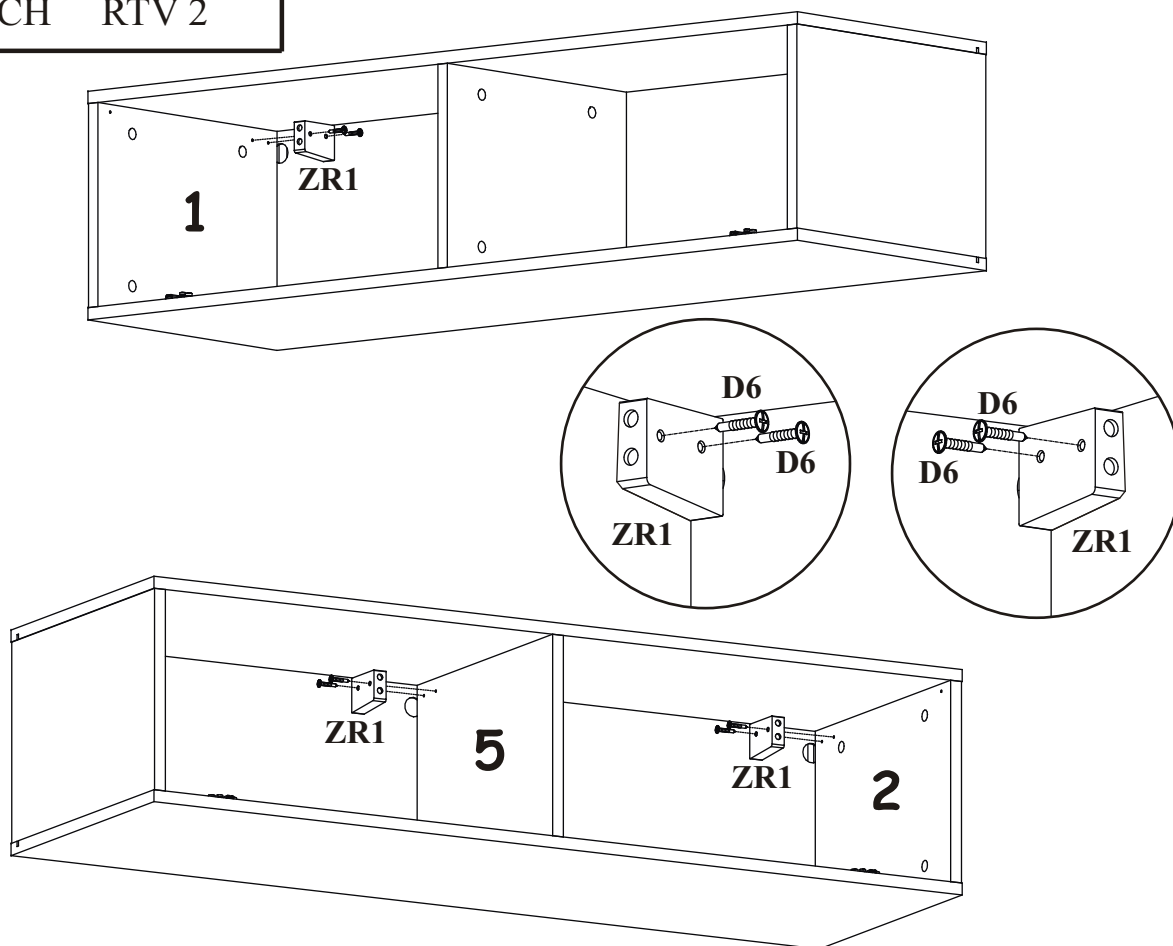
4



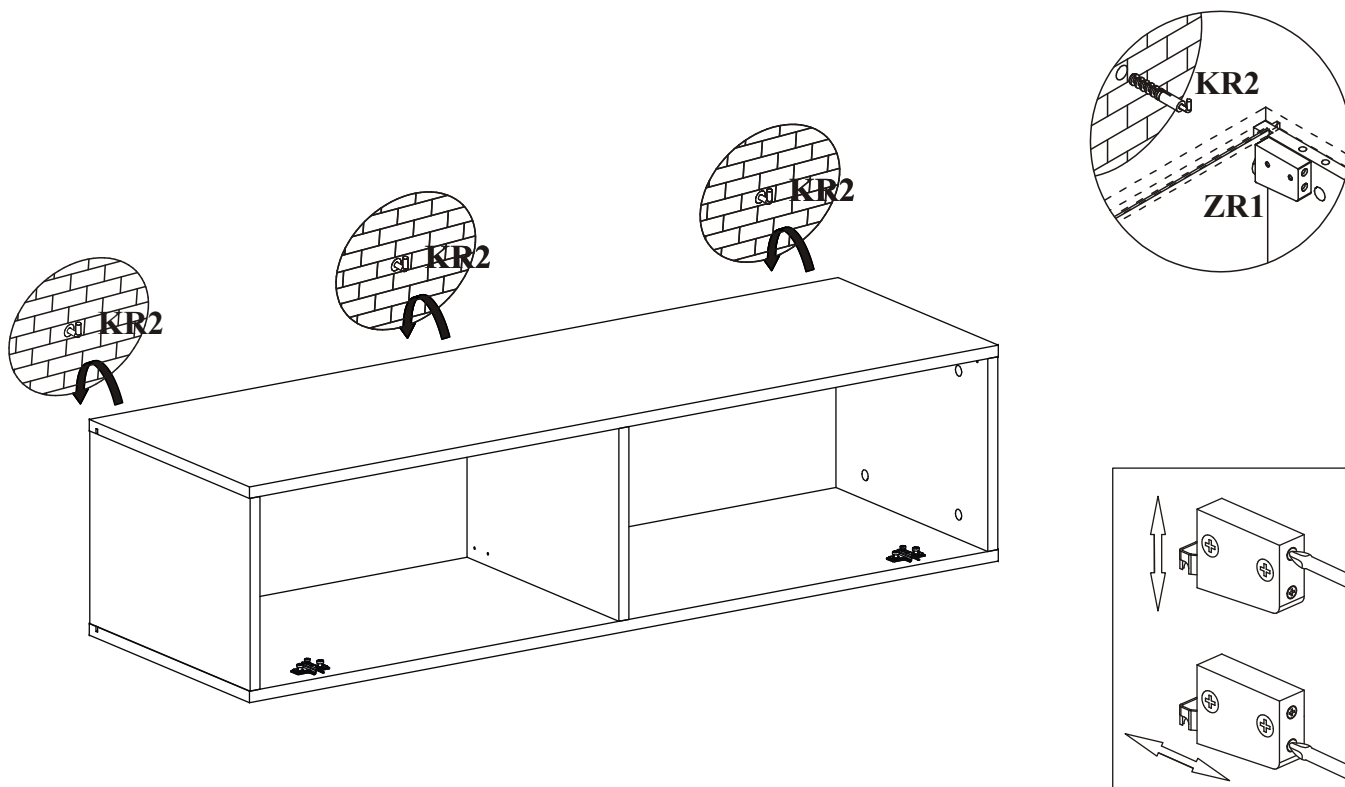
5



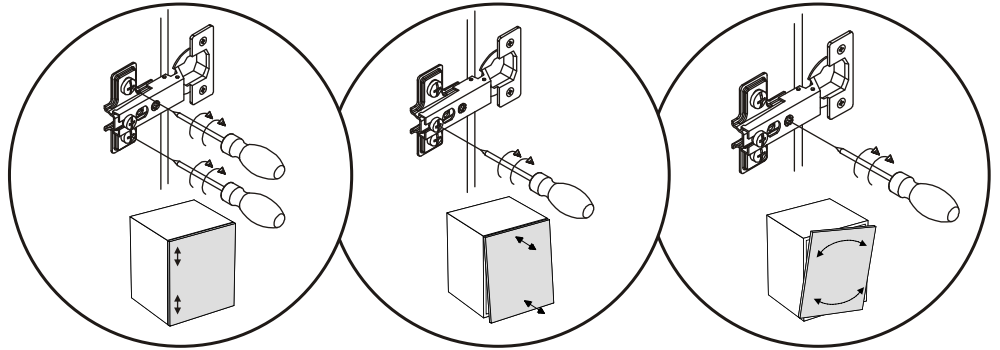
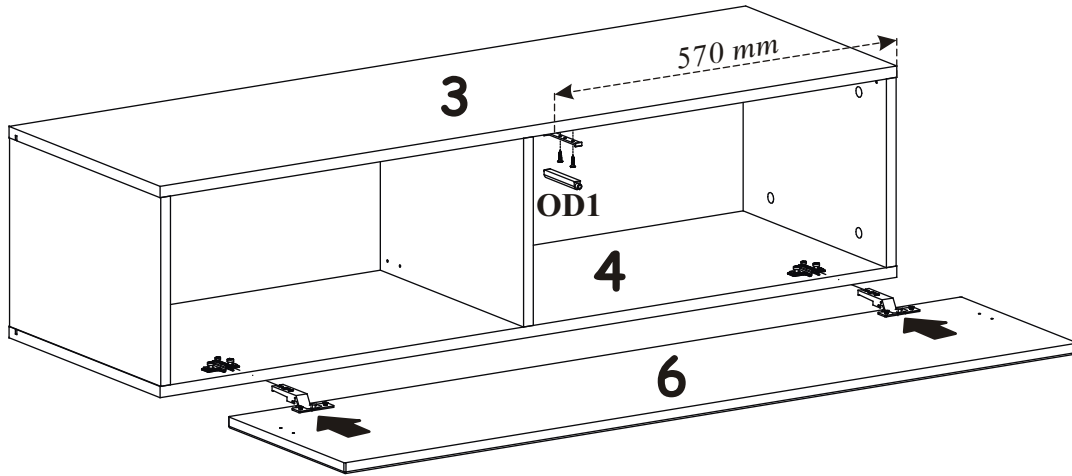
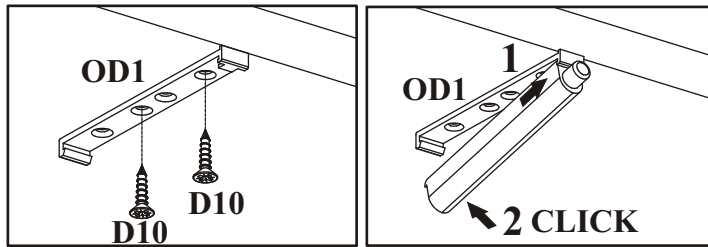
6



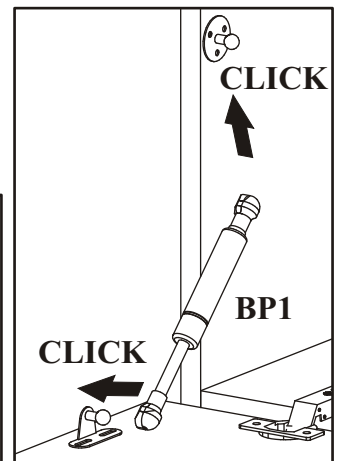
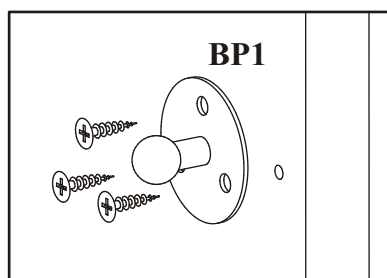
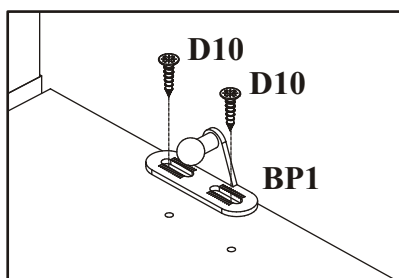
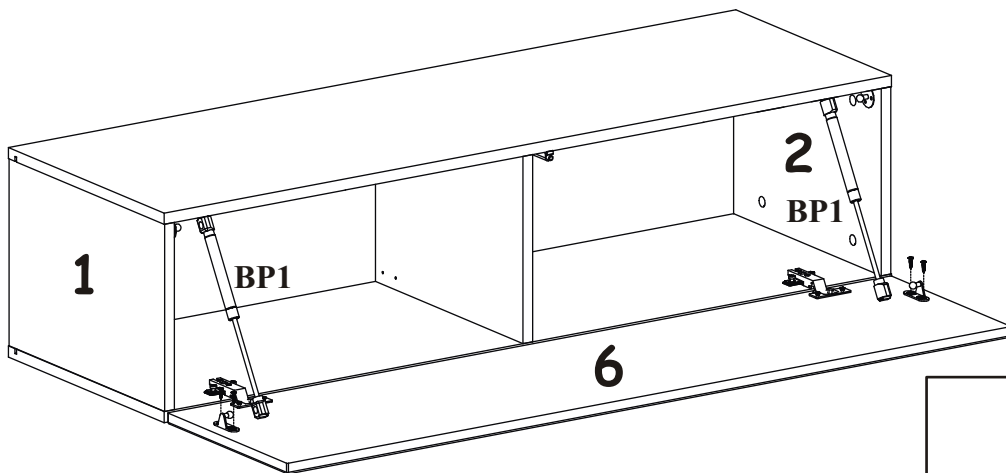
7



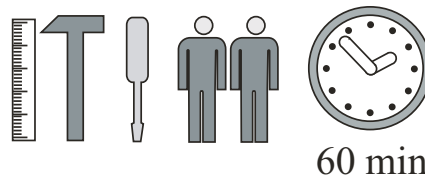
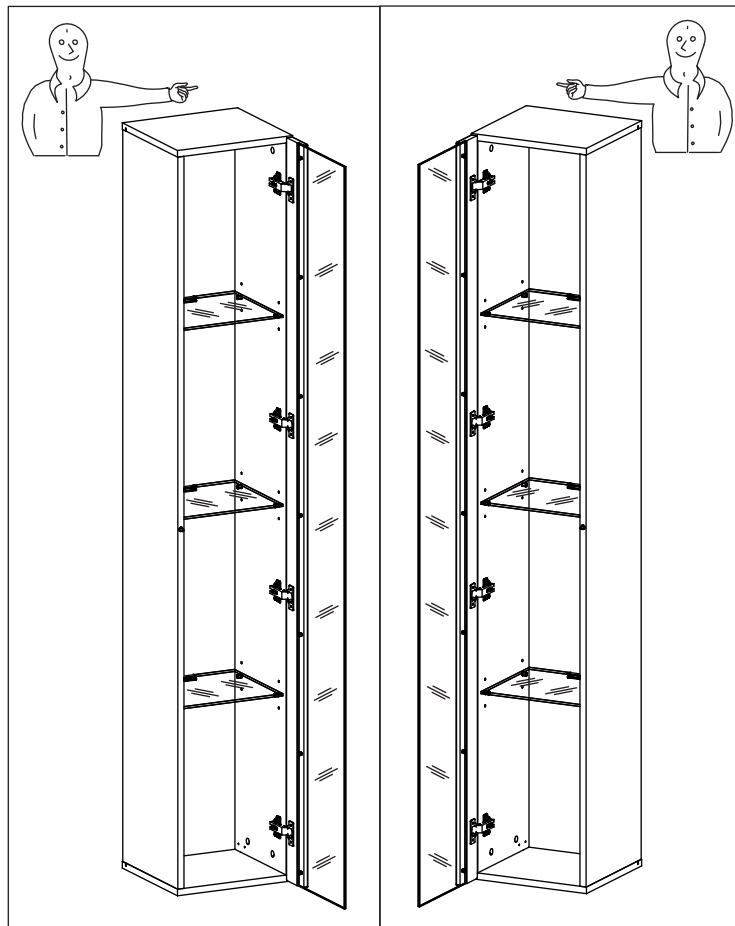
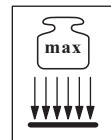
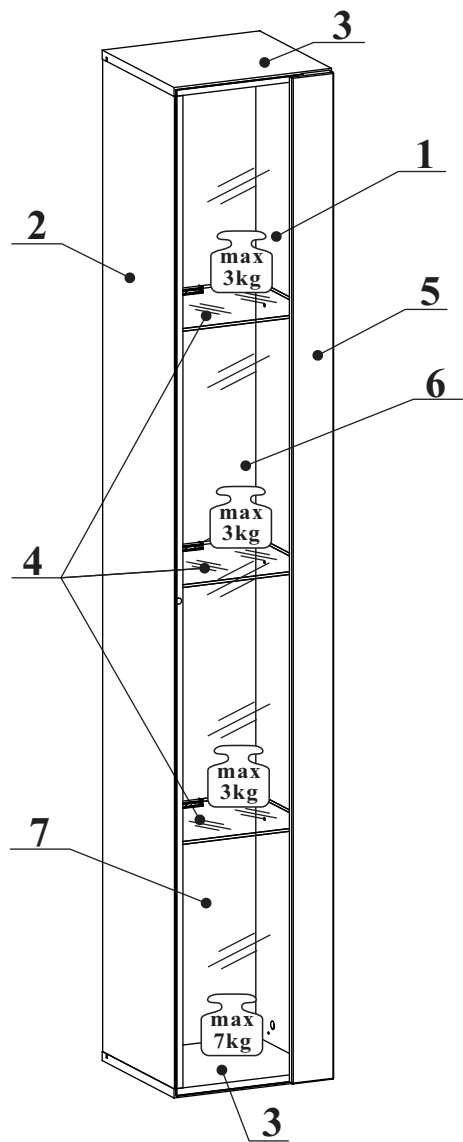
8



9



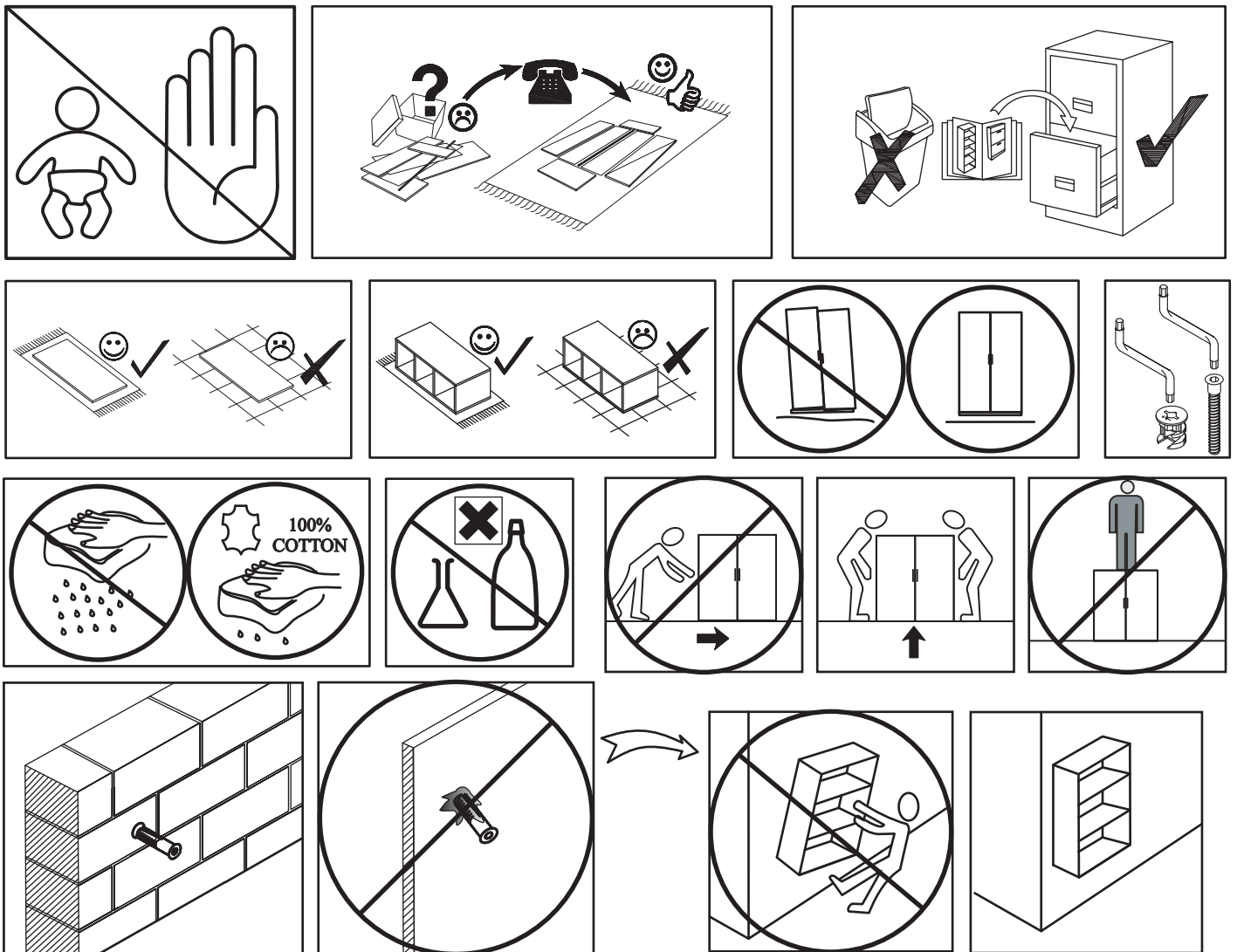
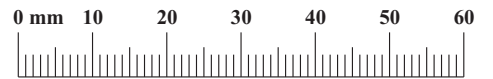
SWITCH WW 1



NO	Dim.		Col.-No	Qty
1	1770	284	1	1
2	1770	284	1	1
3	302	284	1	2
4	266	249	1	3
5	80	1796	1	1
6	1794	241	1	1
7	1782	280	1	1

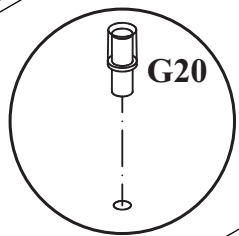
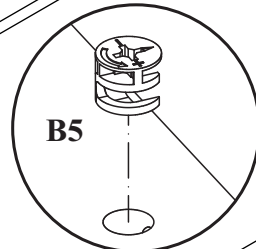
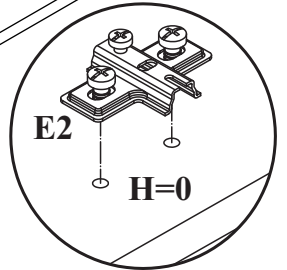
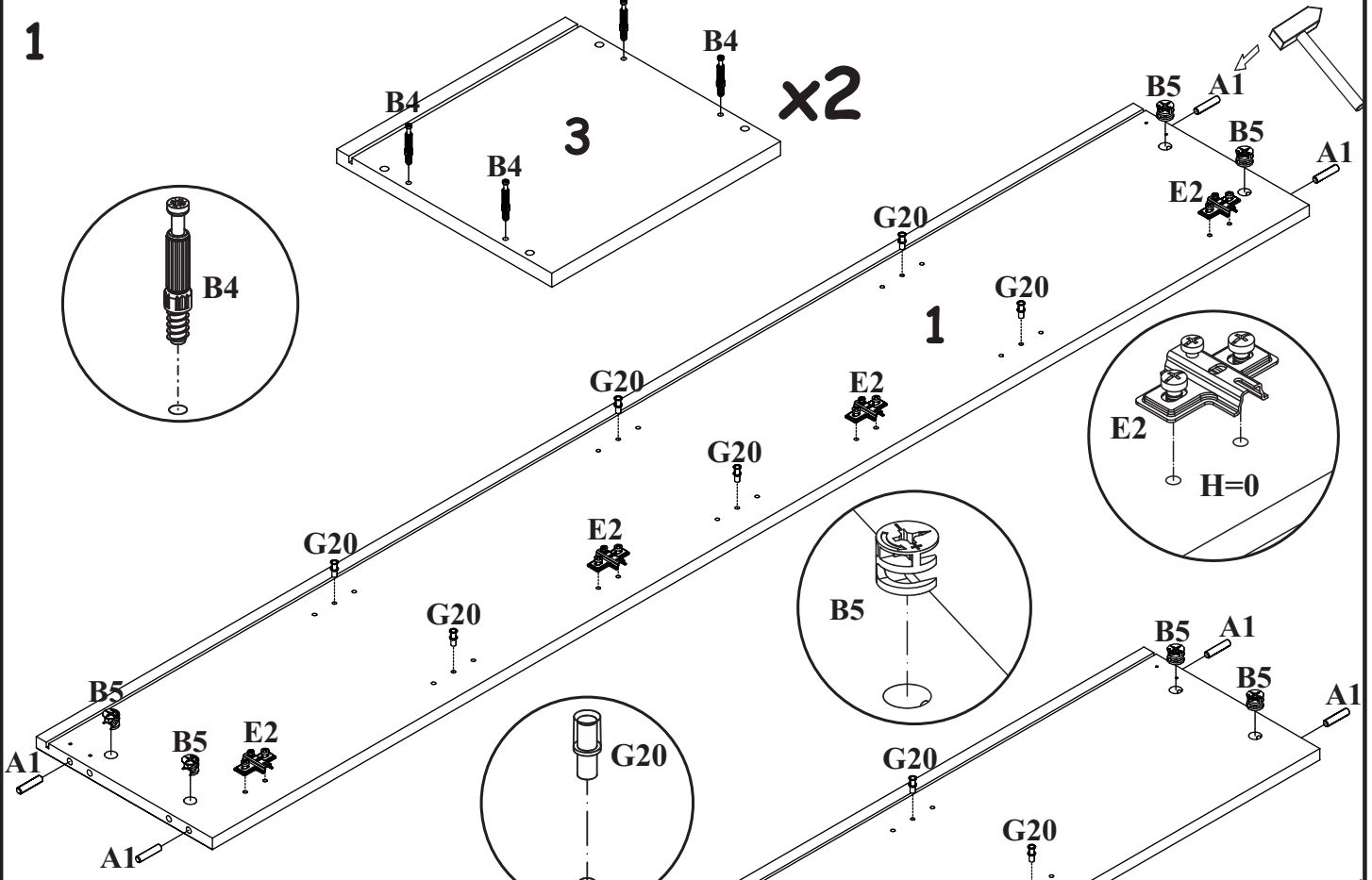
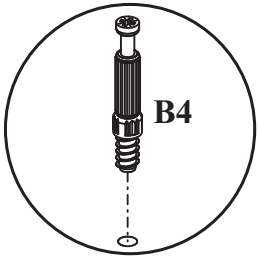
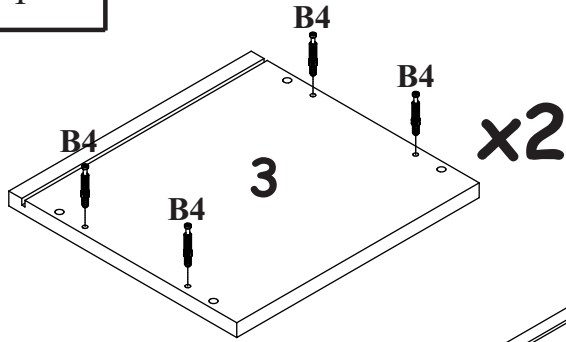
SWITCH WW 1

A1 X8 ø8x36	B4 X8	G5 X8	B5 X8 ø15x12	ZR1 X2	D6 X4 USØ3,5x30
E1 X4 Ø26 H=0	E2 X4 H=0	D10 X8 USØ3,5x13	G20 X12	P2 X7	UP13 X7 UPØ3x16
OD X1 L=71,5	S1 X10	KR2 X2	G2 X1	LED X1 X3	

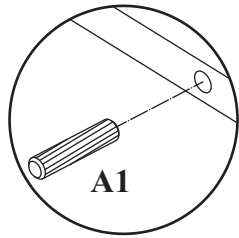
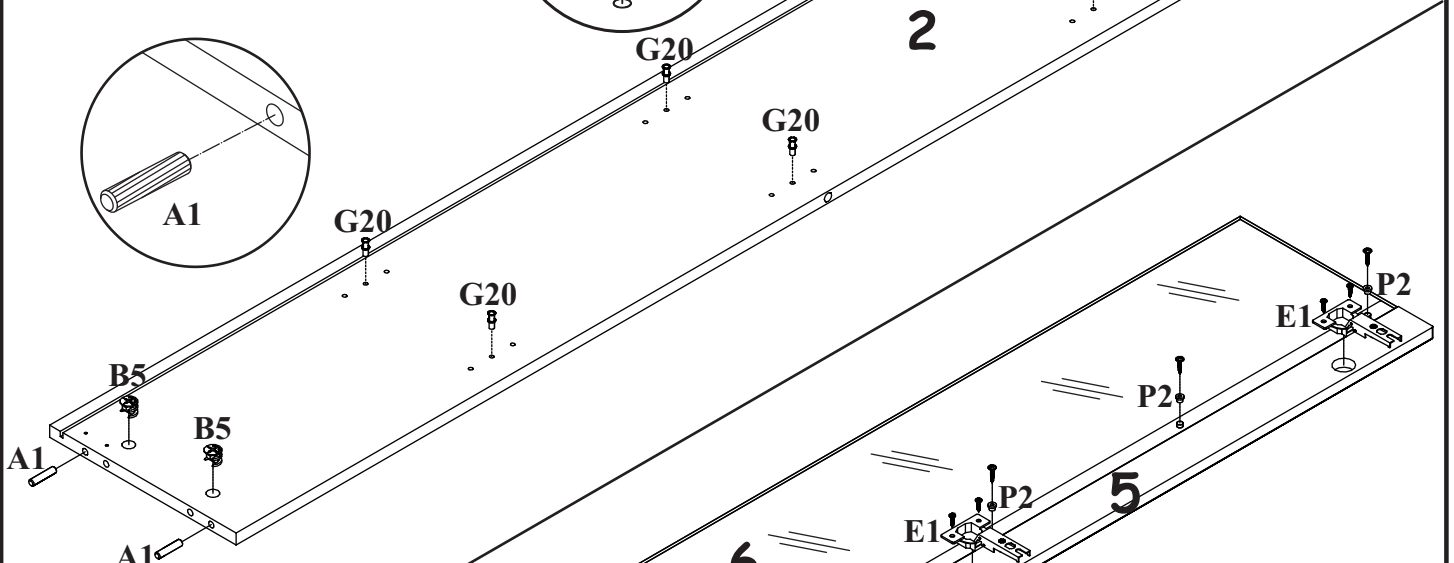


SWITCH WW 1

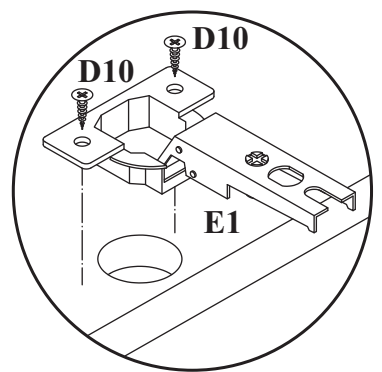
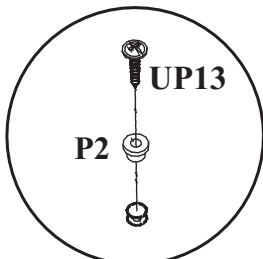
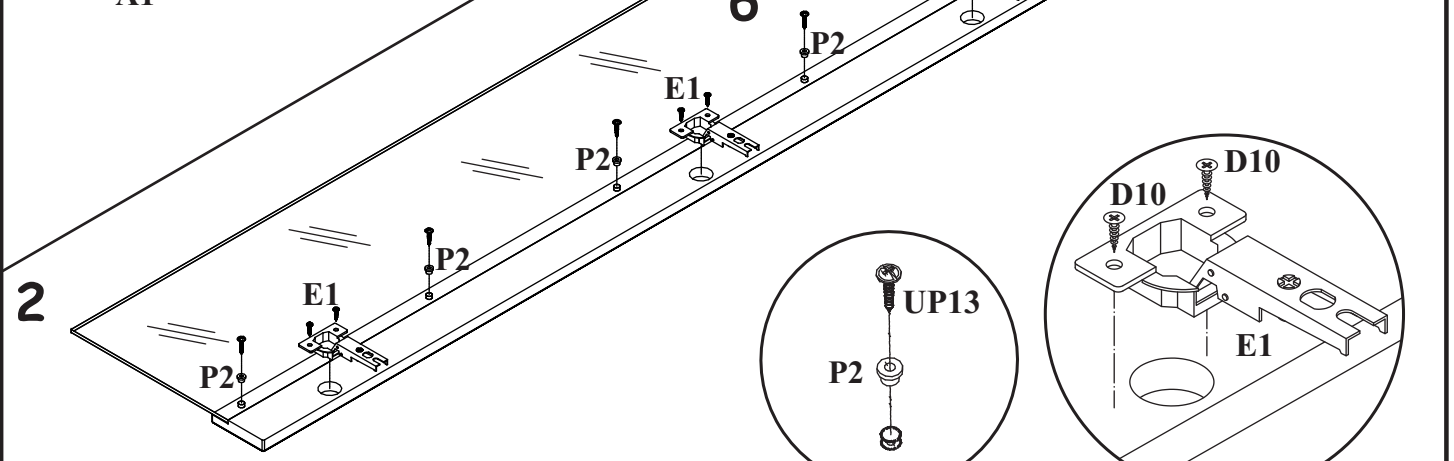
1



2

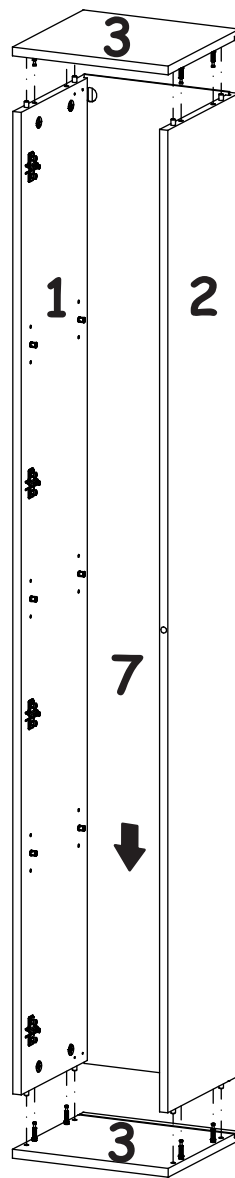
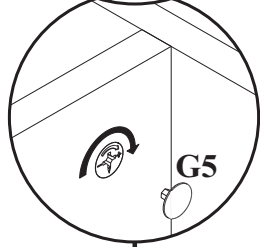
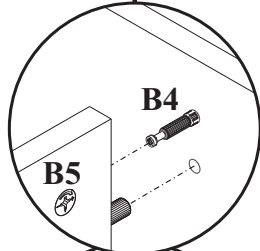
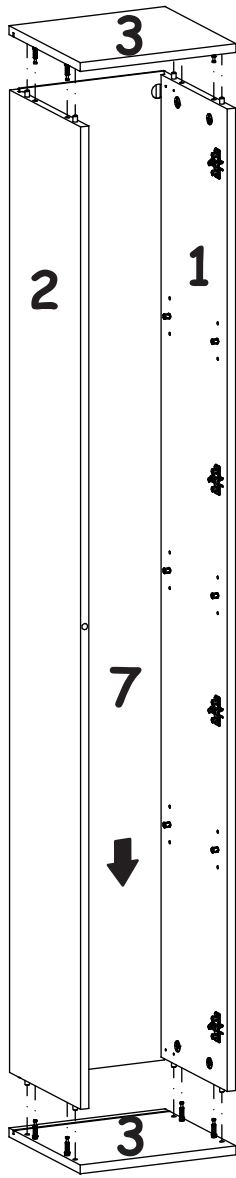
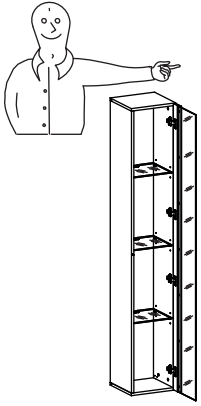


6

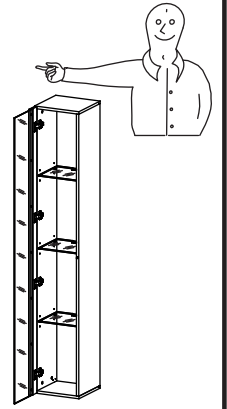


SWITCH WW 1

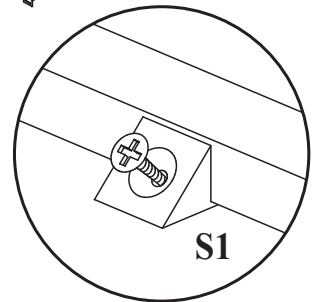
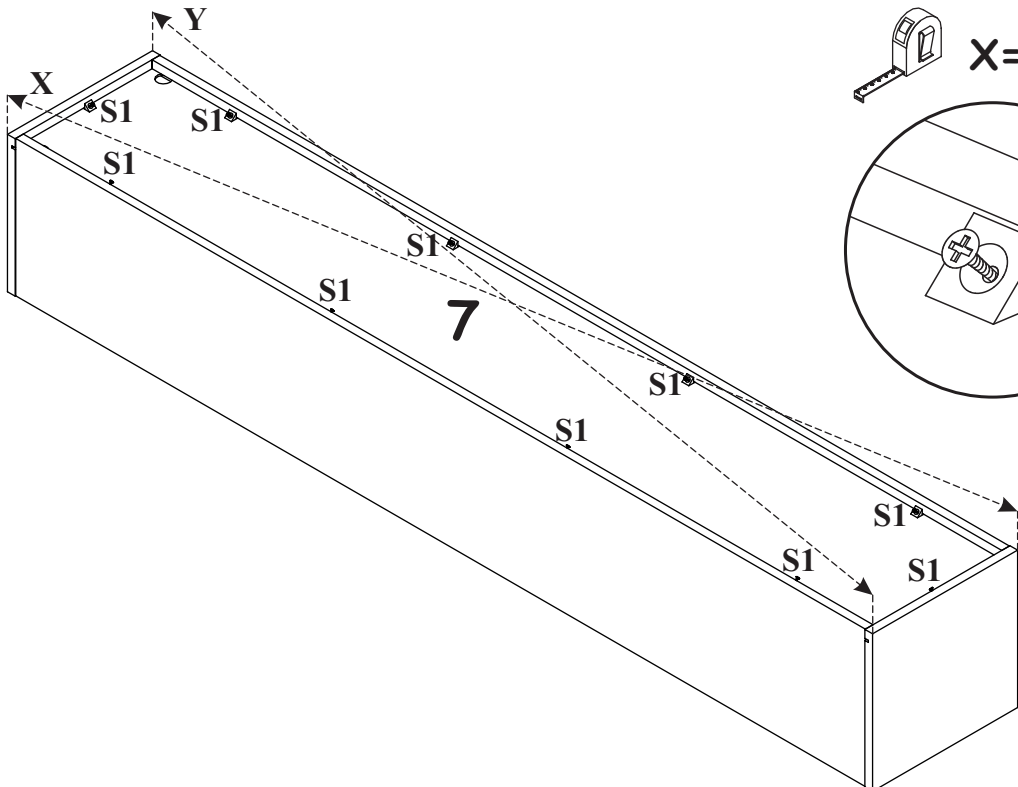
3



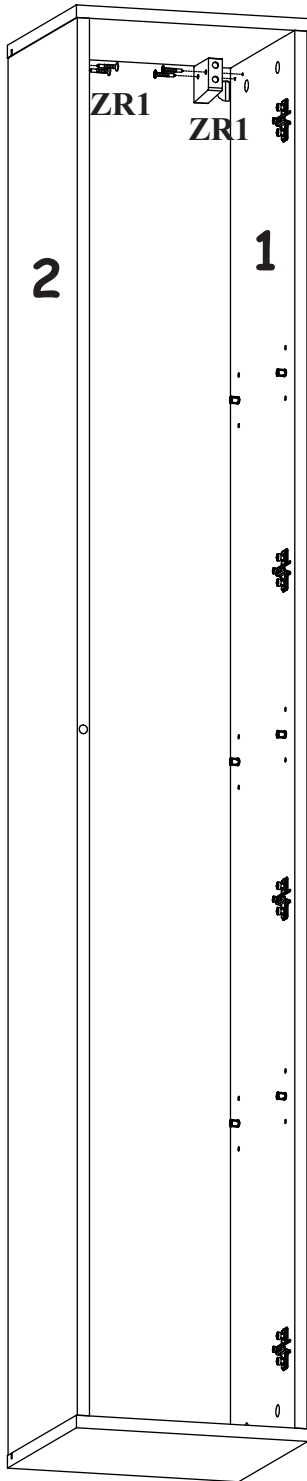
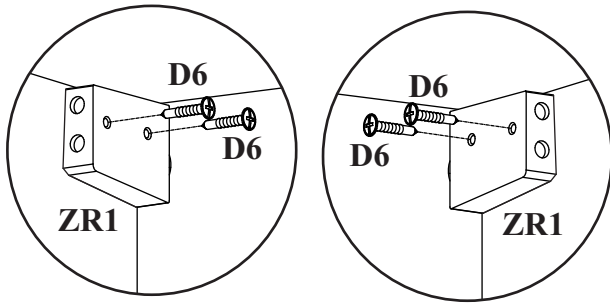
3



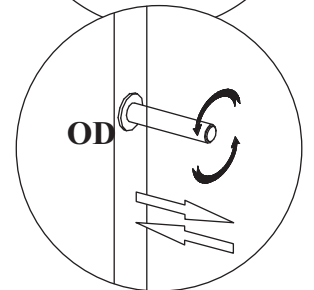
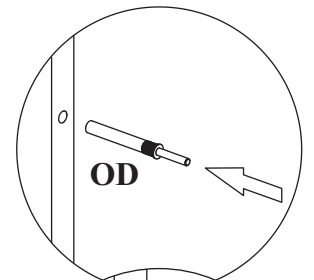
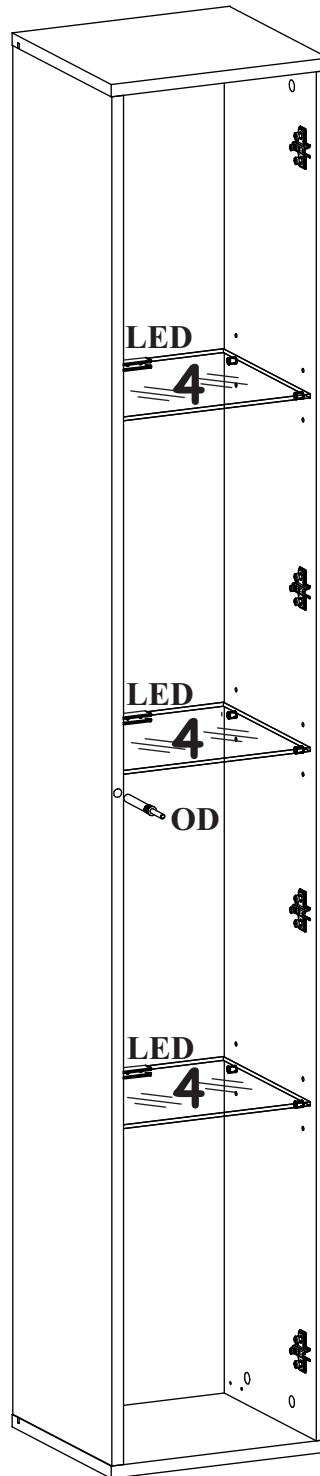
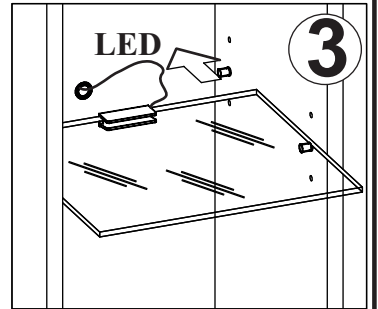
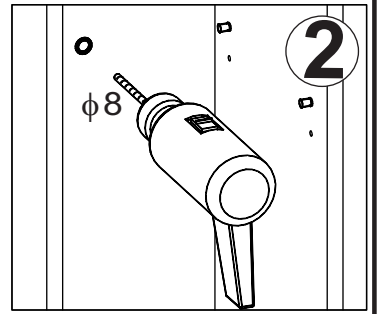
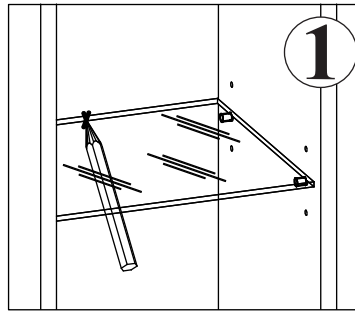
4



5

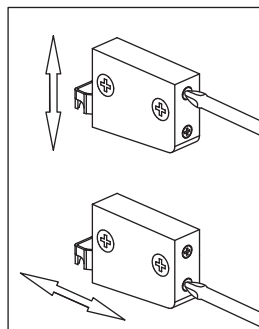
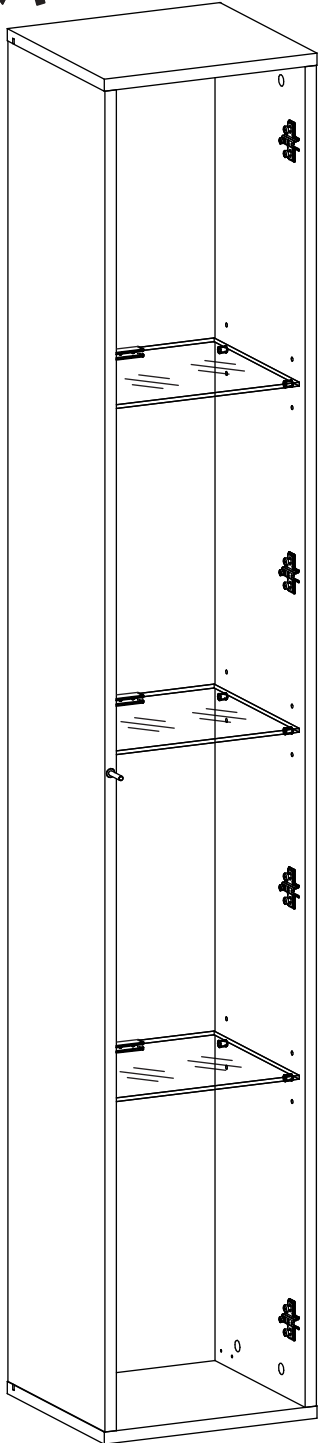
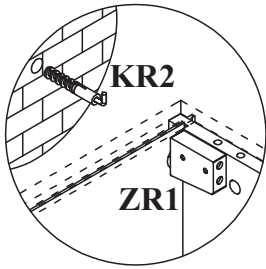
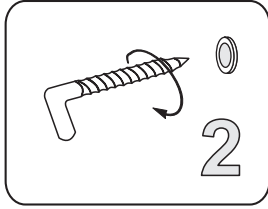
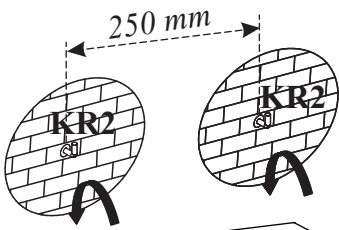
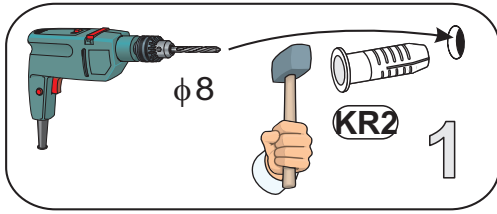


6

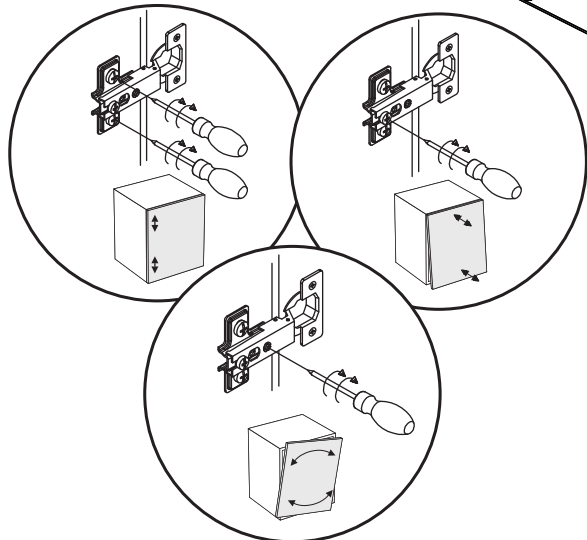
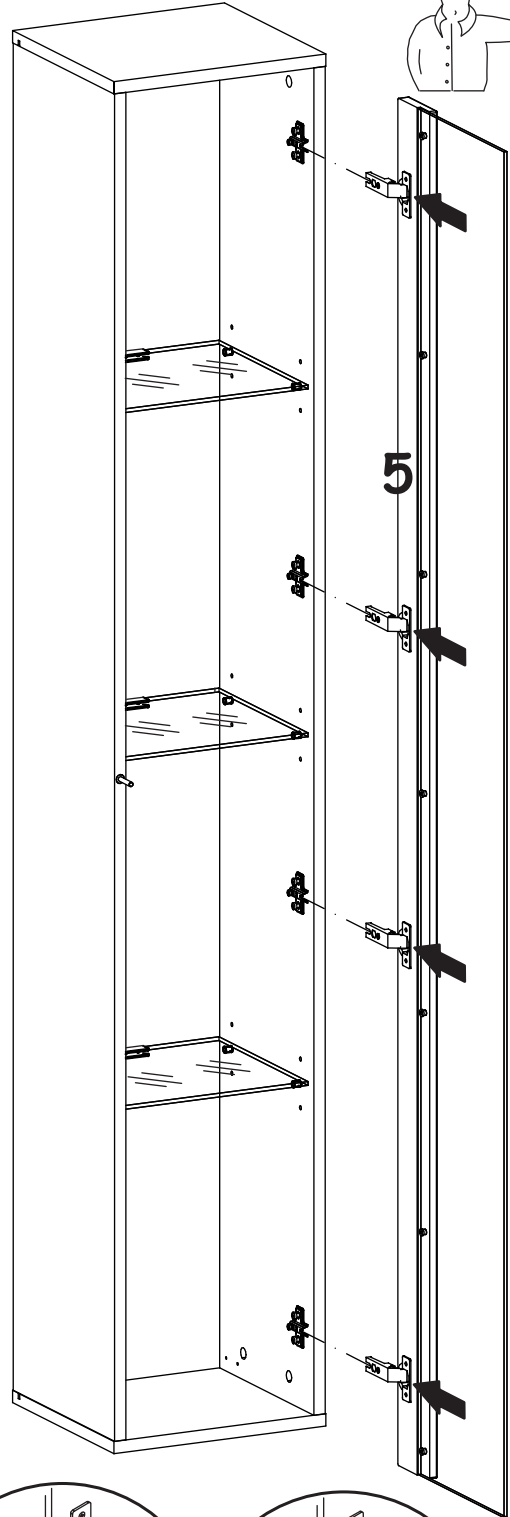


SWITCH WW 1

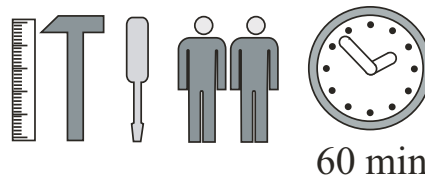
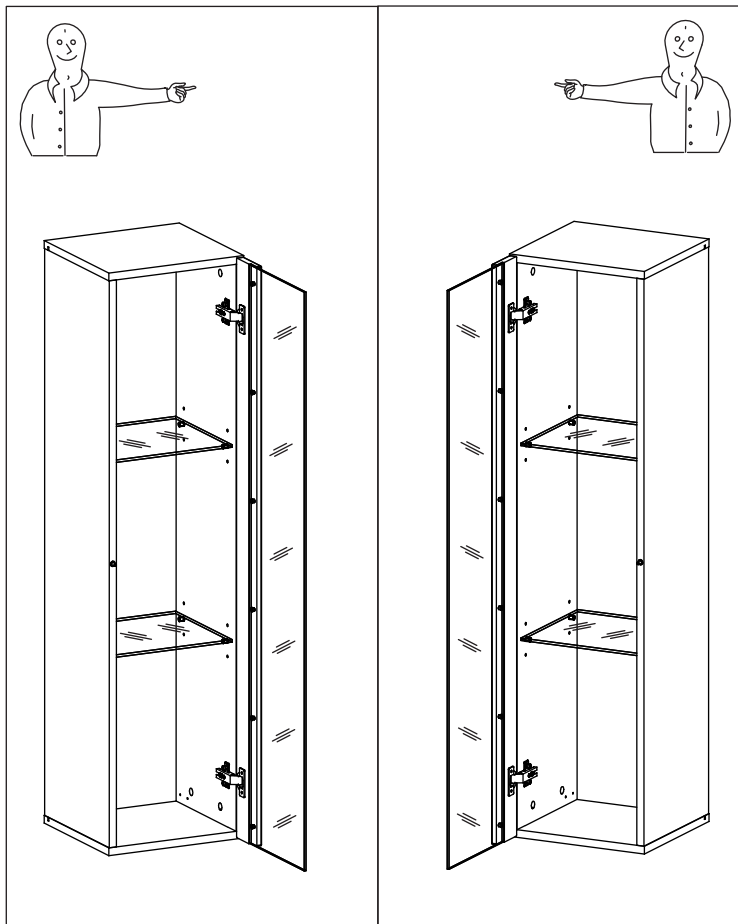
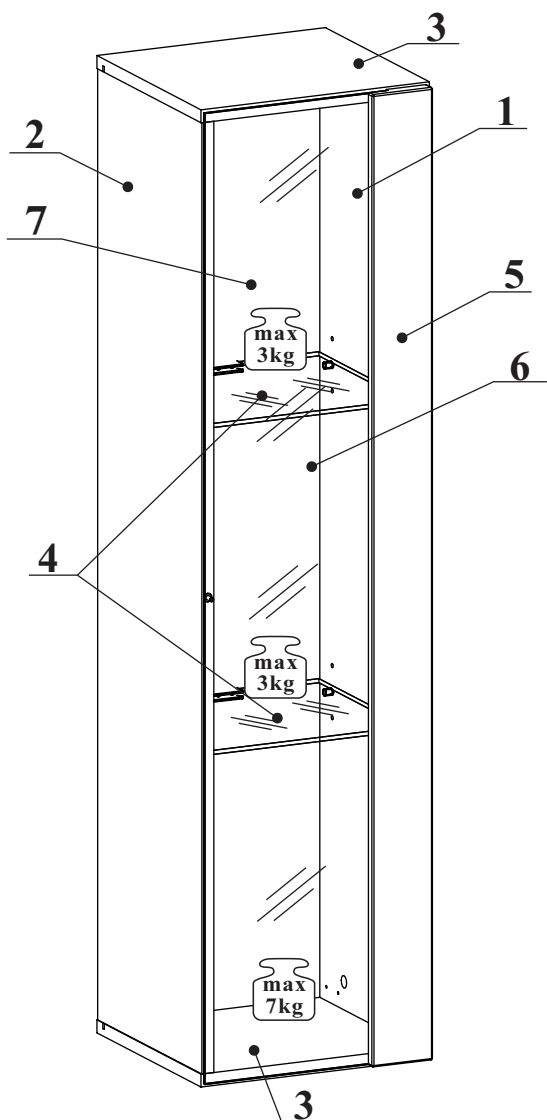
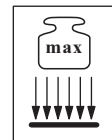
7



8



SWITCH WW 2

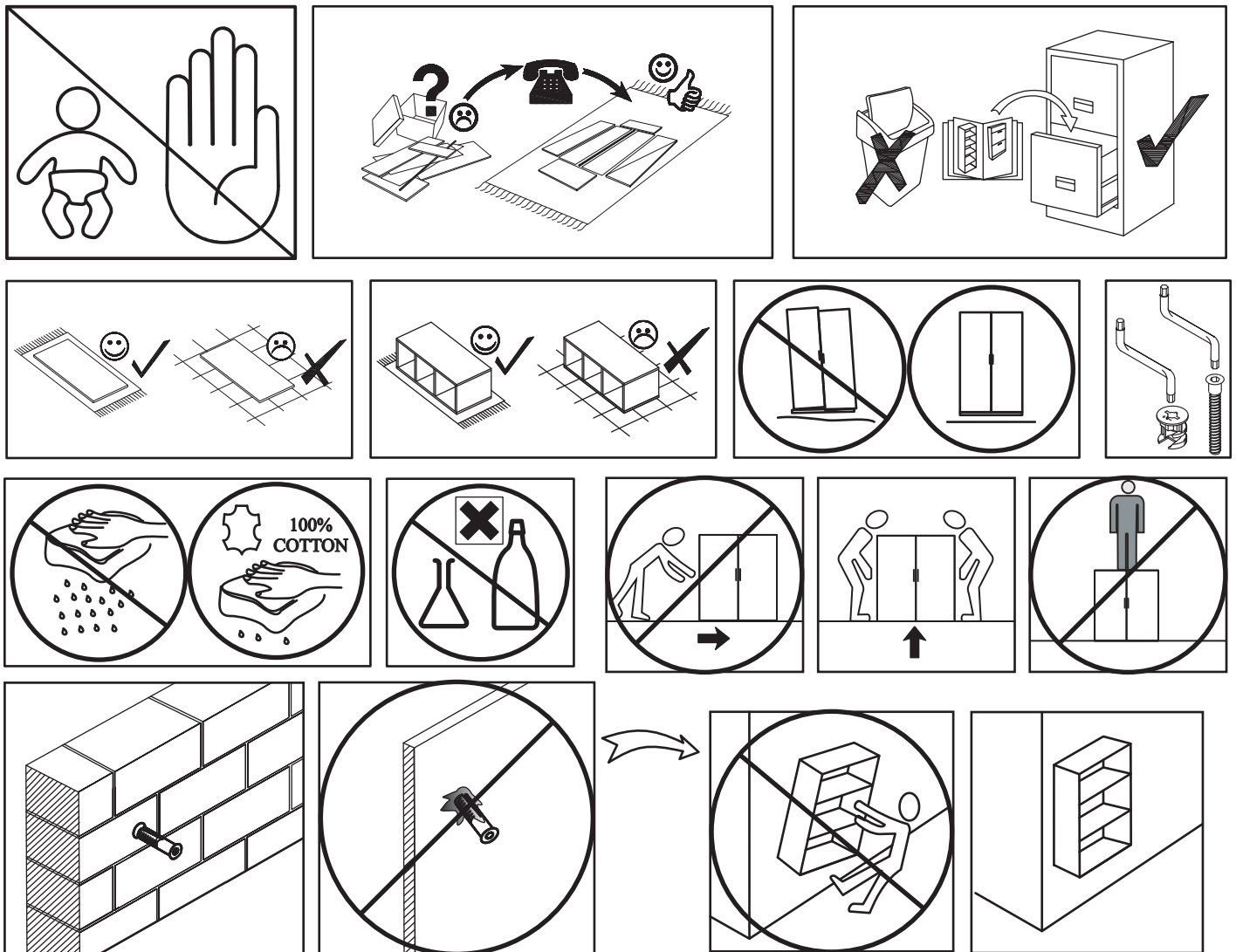
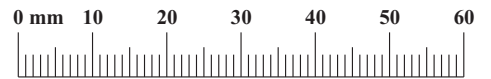


60 min

NO	Dim.		Col.-No	Qty
1	1170	284	1	1
2	1170	284	1	1
3	302	284	1	2
4	266	249	1	2
5	80	1196	1	1
6	1194	241	1	1
7	1182	280	1	1

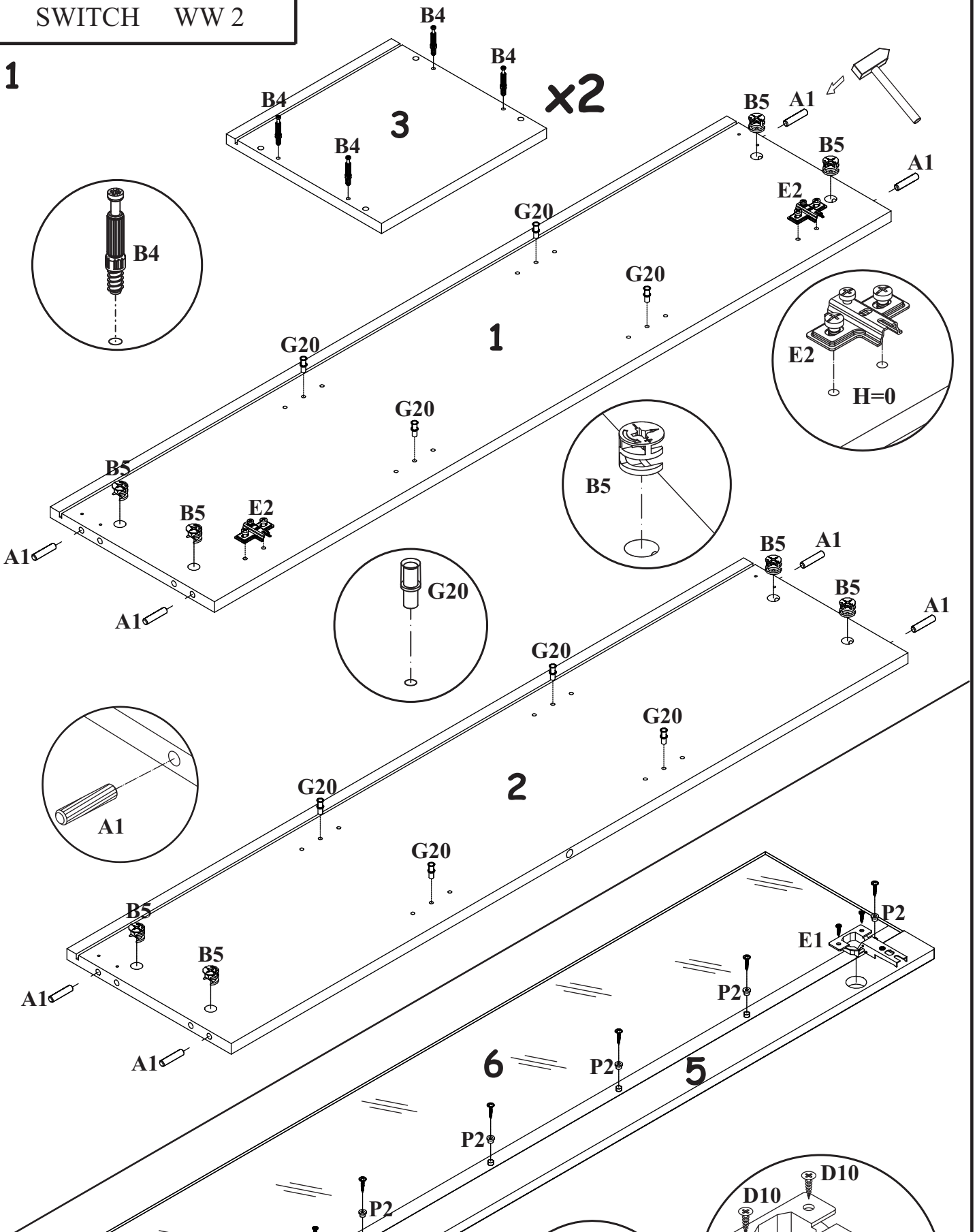
SWITCH WW 2

A1 X8 ø8x36	B4 X8	G5 X8	B5 X8 ø15x12	ZR1 X2	D6 X4 USØ3,5x30
E1 X2 Ø26 H=0	E2 X2 H=0	D10 X4 USØ3,5x13	G20 X8	P2 X6	UP13 X6 UPØ3x16
OD X1 L=71,5	S1 X8	KR2 X2	G2 X1	LED X1 X2	



SWITCH WW 2

1



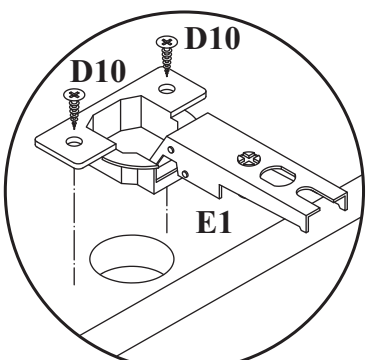
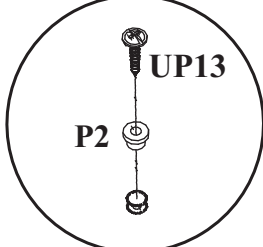
1

2

6

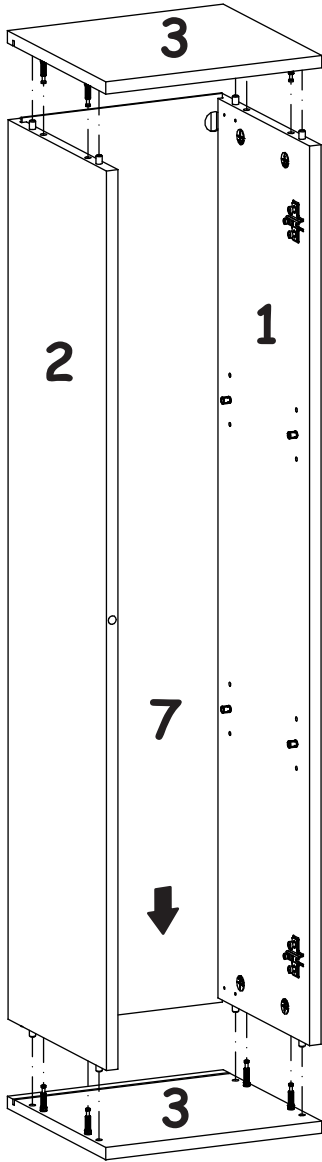
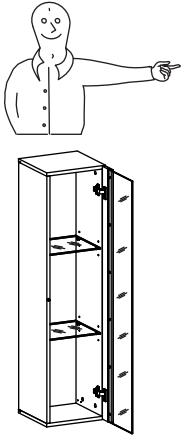
5

2

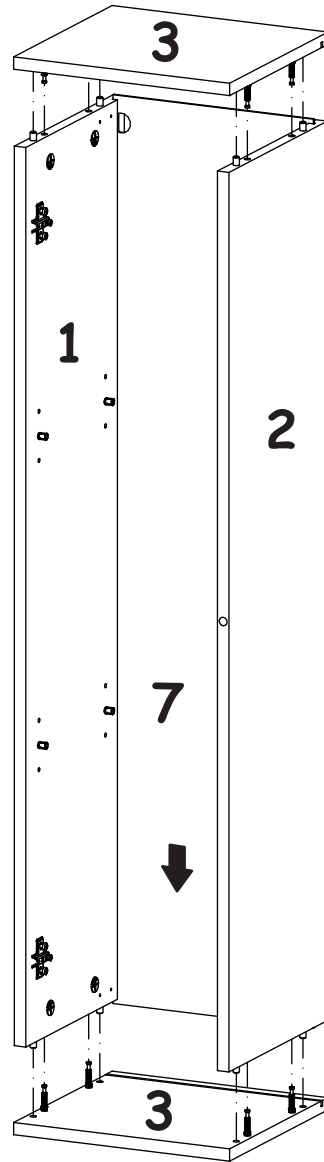
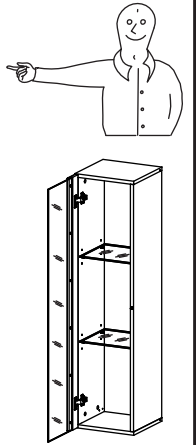


SWITCH WW 2

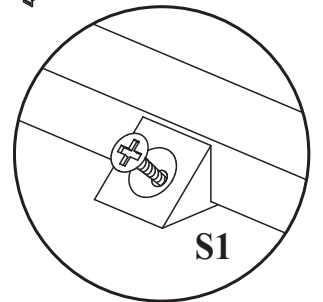
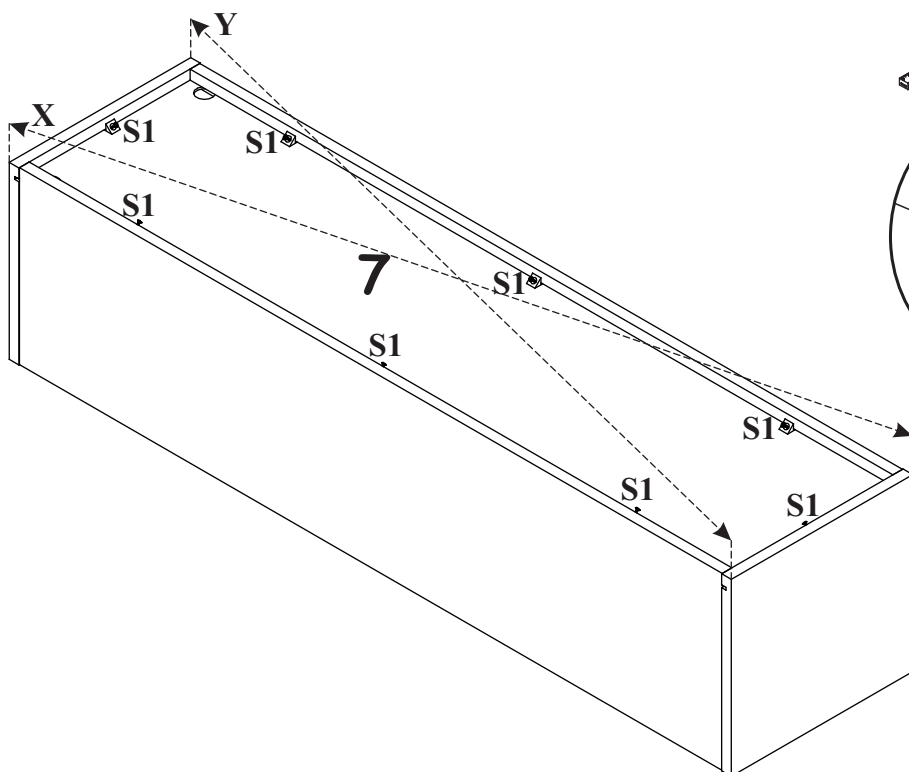
3



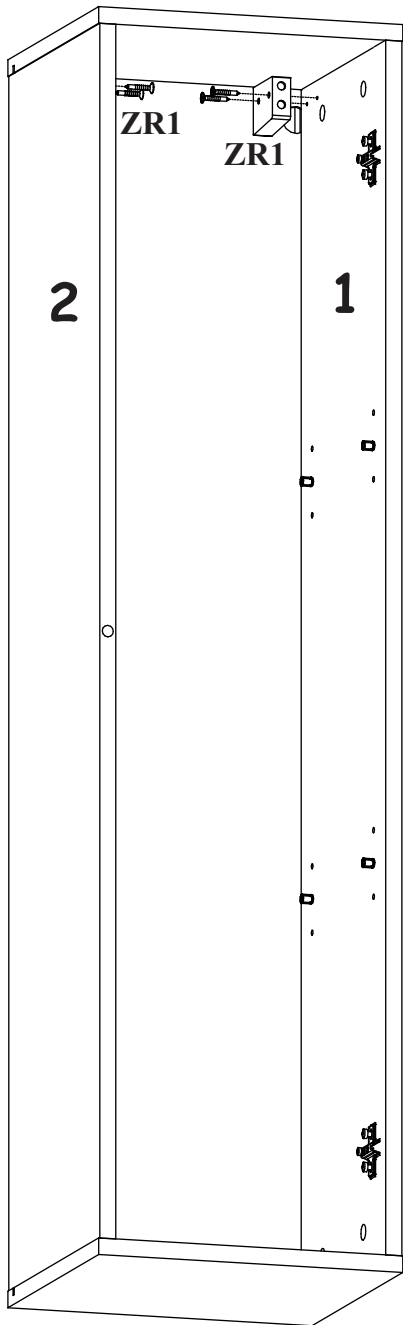
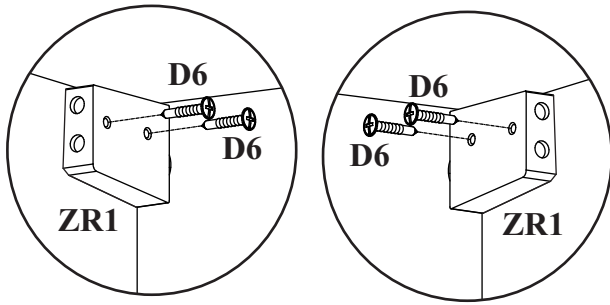
3



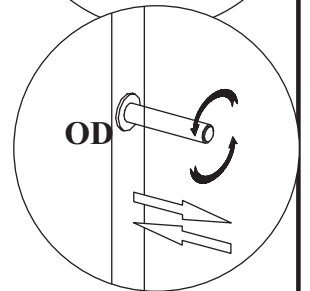
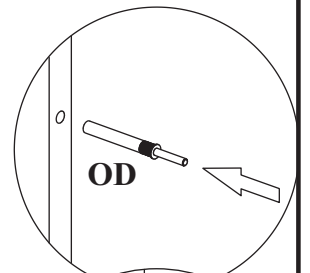
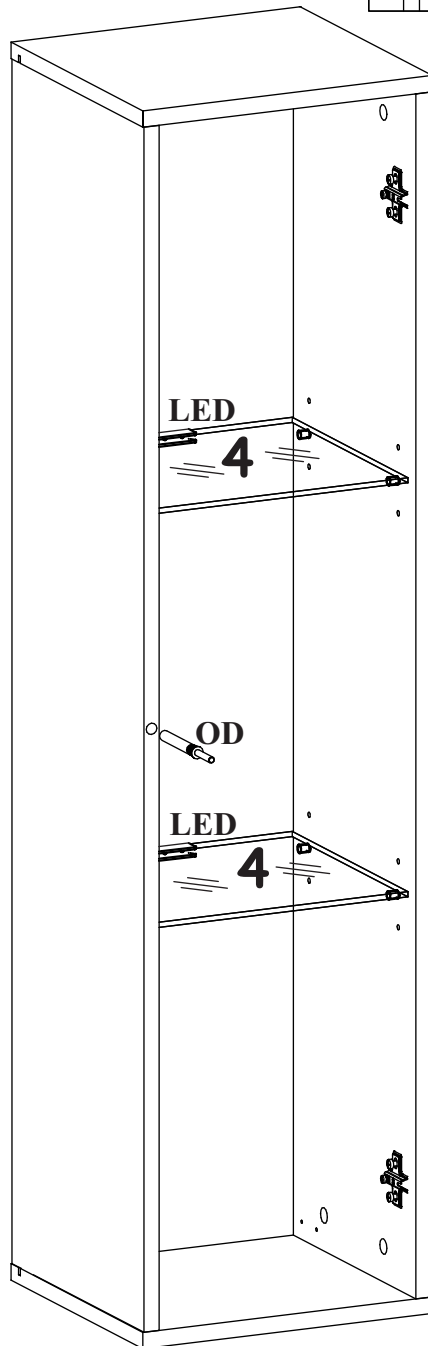
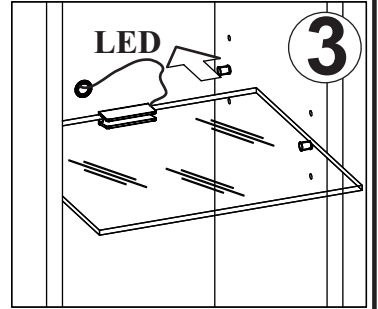
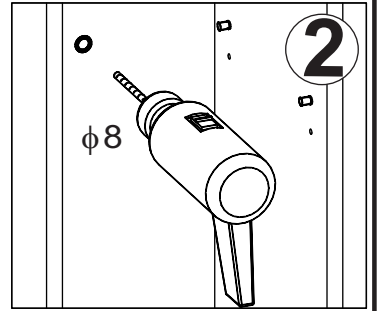
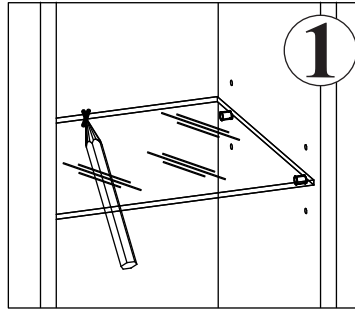
4



5

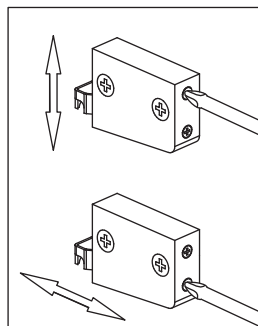
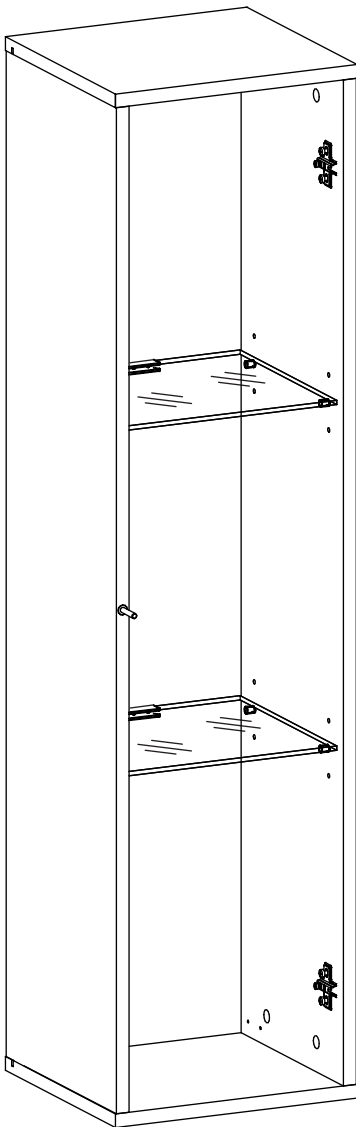
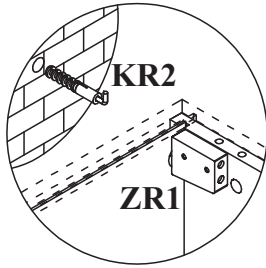
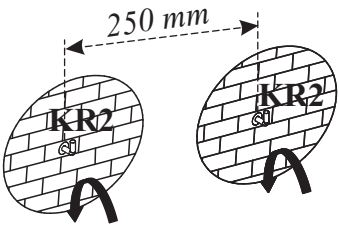
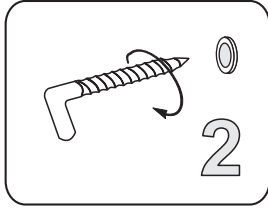
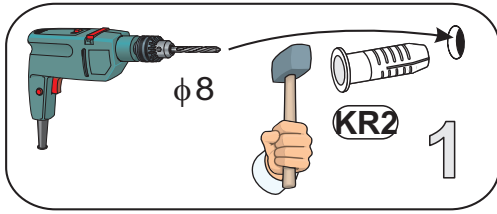


6

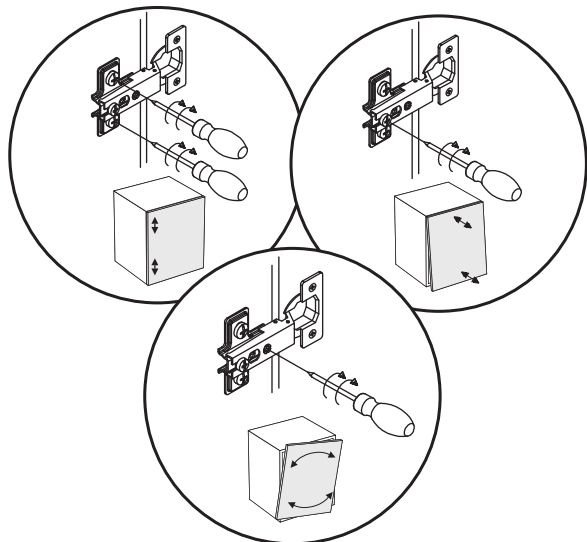
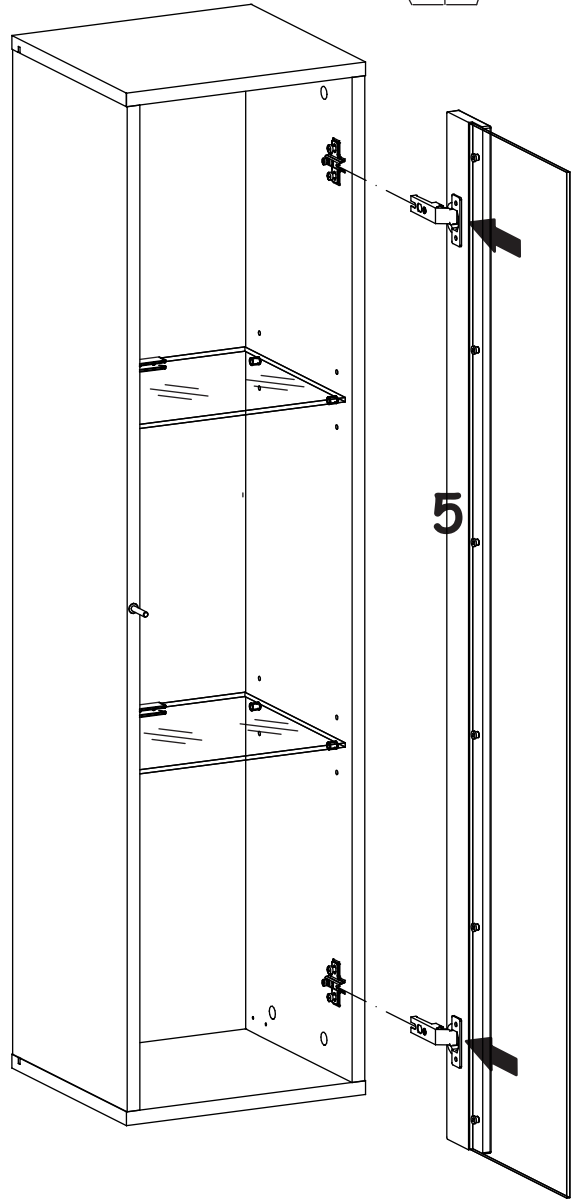
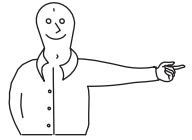


SWITCH WW 2

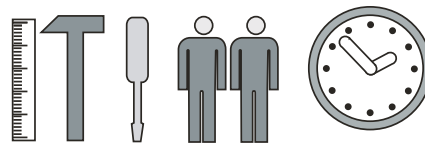
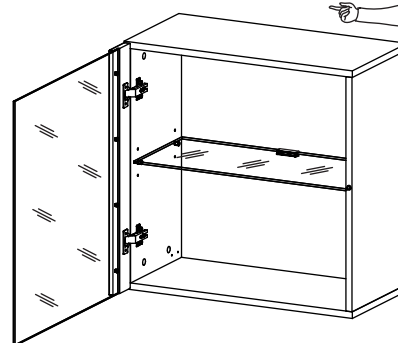
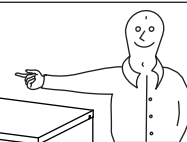
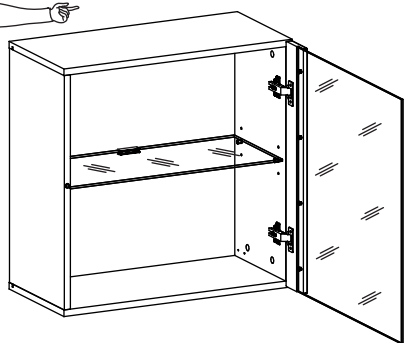
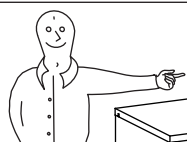
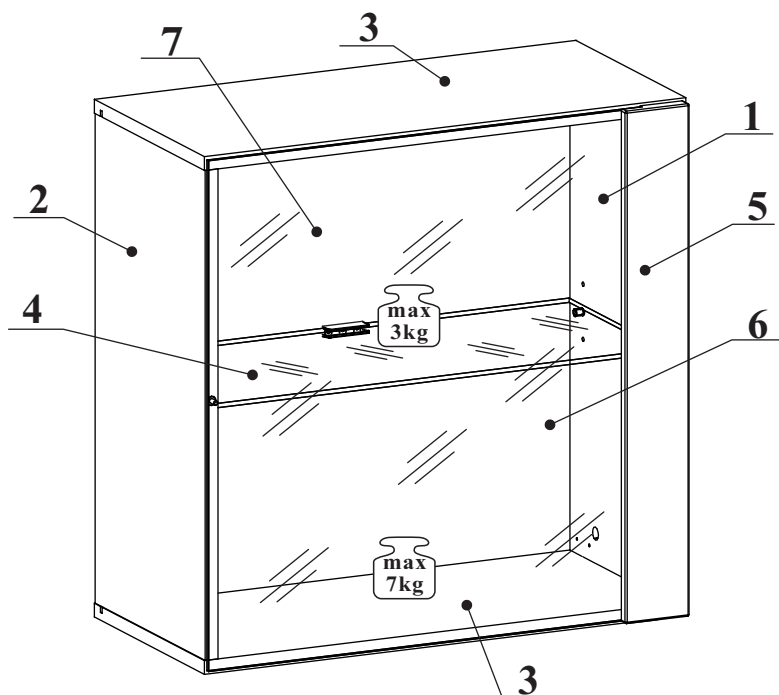
7



8



SWITCH WW 3

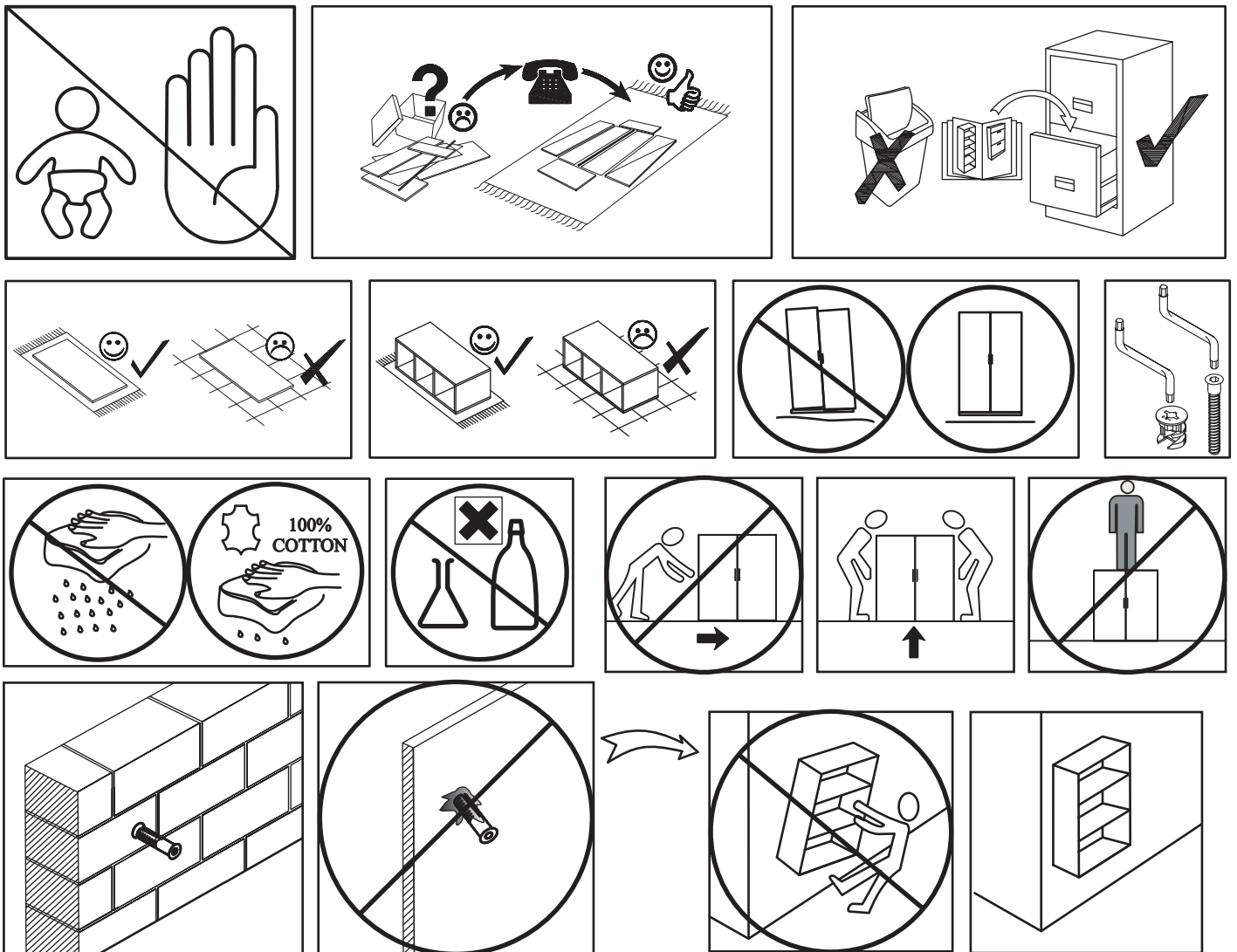
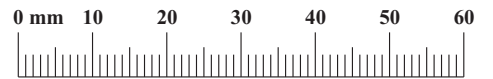


60 min

NO	Dim.		Col.-No	Qty
1	570	284	1	1
2	570	284	1	1
3	602	284	1	2
4	566	249	1	1
5	80	596	1	1
6	594	541	1	1
7	582	580	1	1

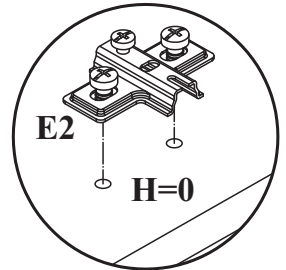
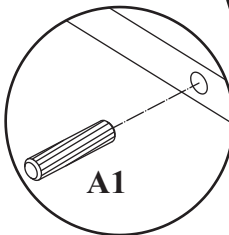
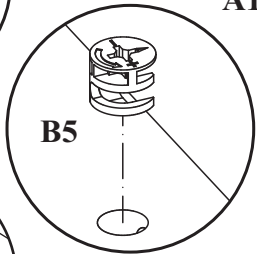
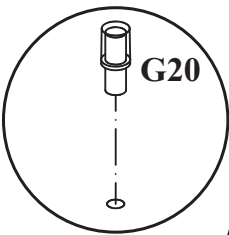
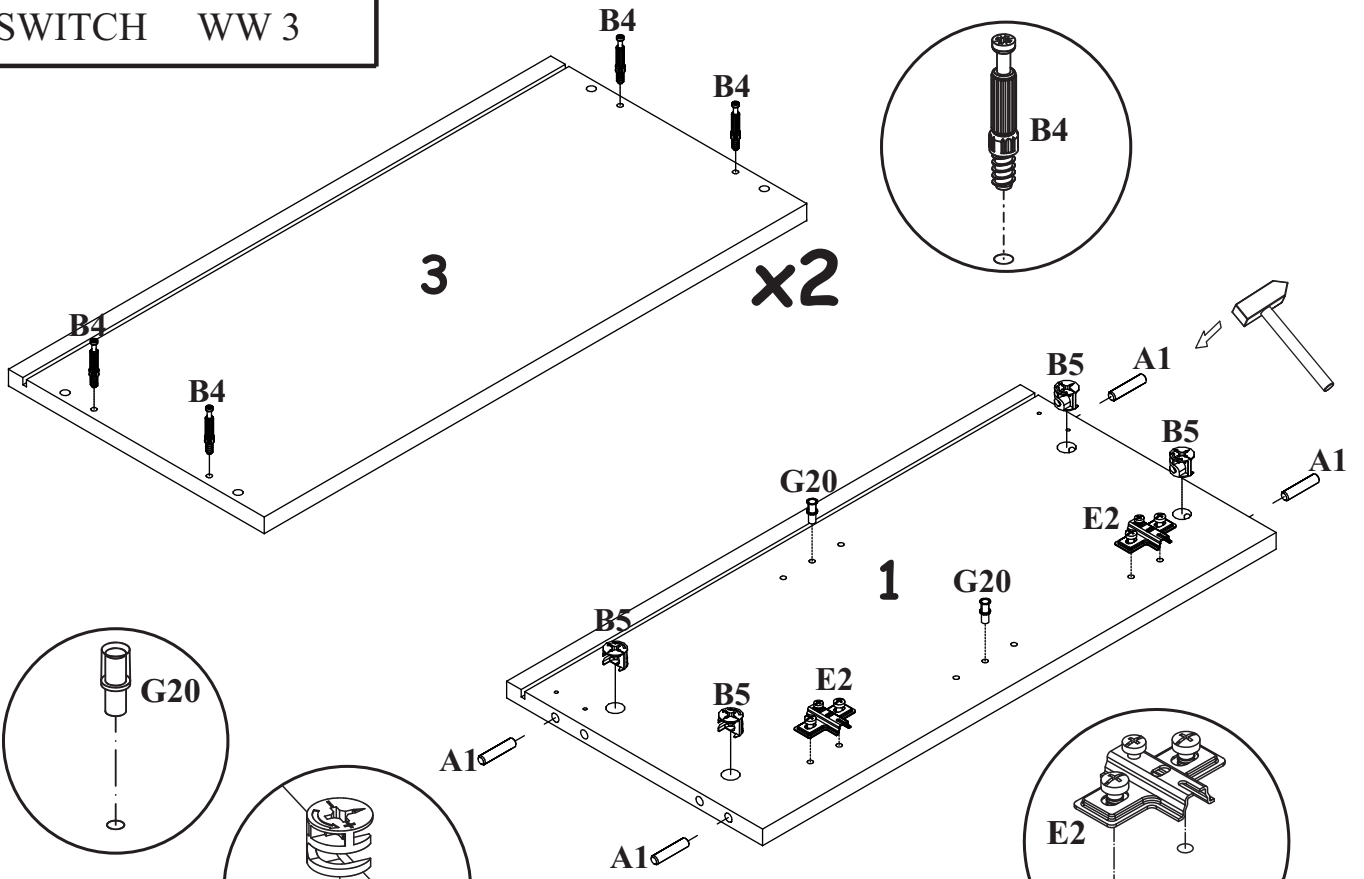
SWITCH WW 3

A1 X8 ø8x36	B4 X8	G5 X8	B5 X8 ø15x12	ZR1 X2	D6 X4 USØ3,5x30
E1 X2 Ø26 H=0	E2 X2 H=0	D10 X4 USØ3,5x13	G20 X4	P2 X4	UP13 X4 UPØ3x16
OD X1 L=71,5	S1 X8	KR2 X2	G2 X1	LED X1	

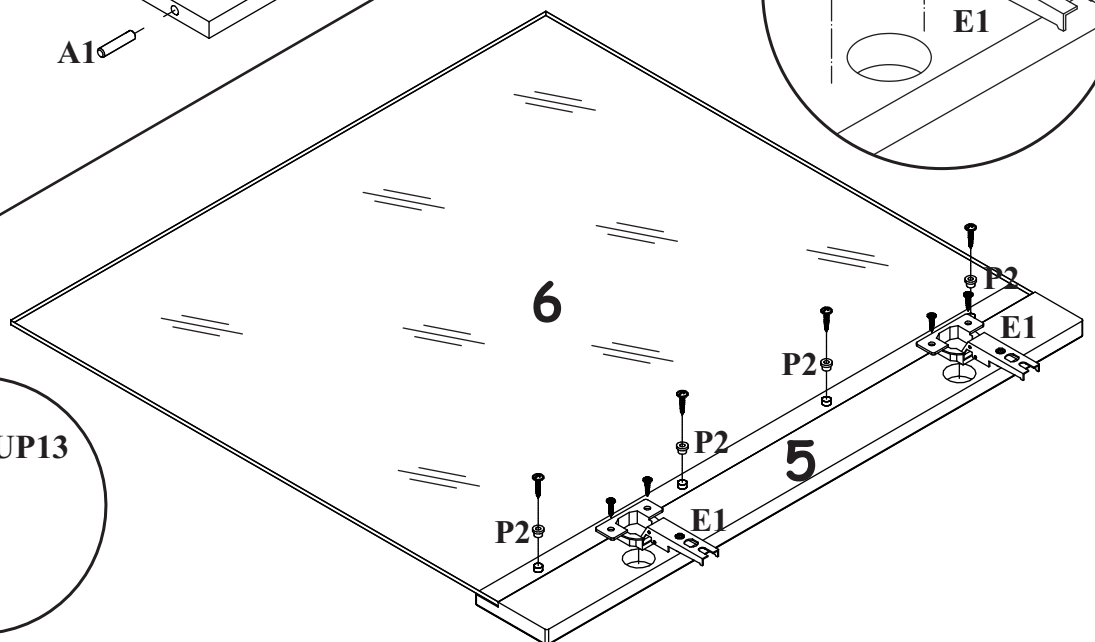
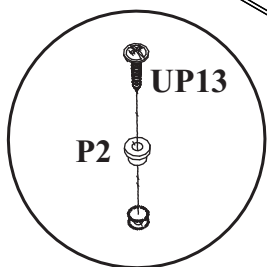


SWITCH WW 3

1

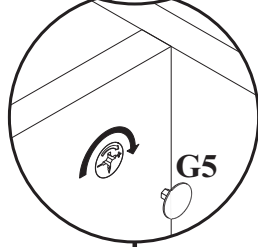
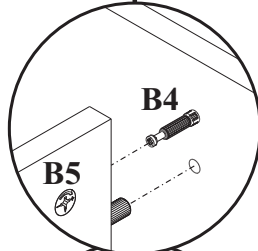
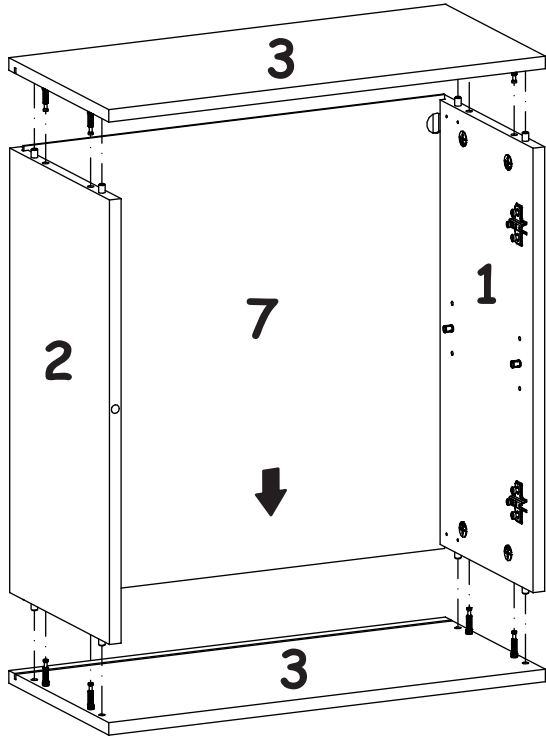
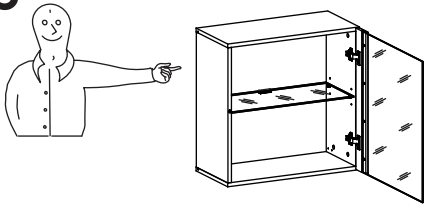


2

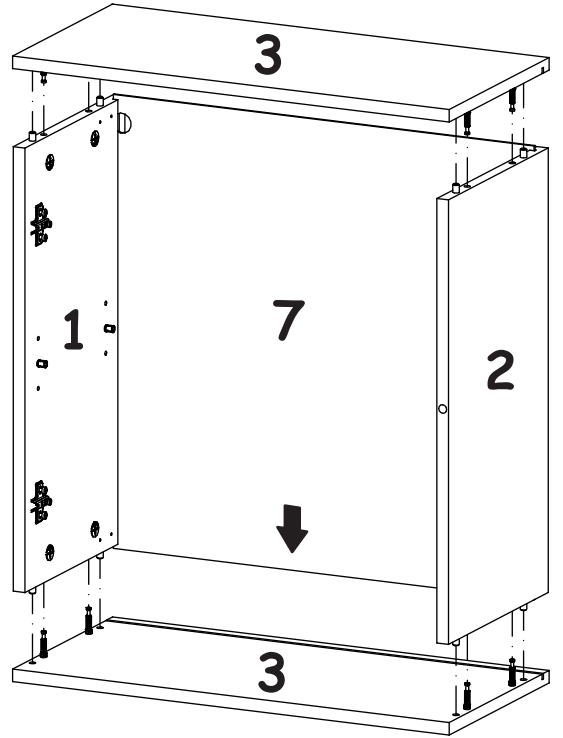
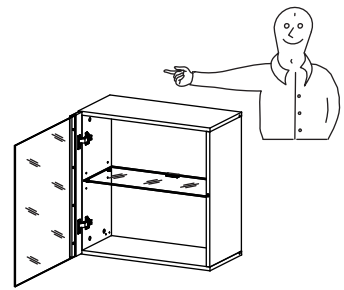


SWITCH WW 3

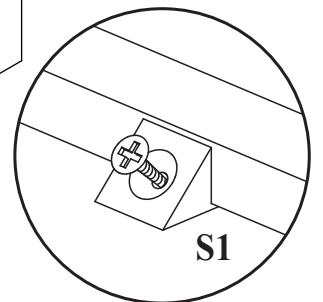
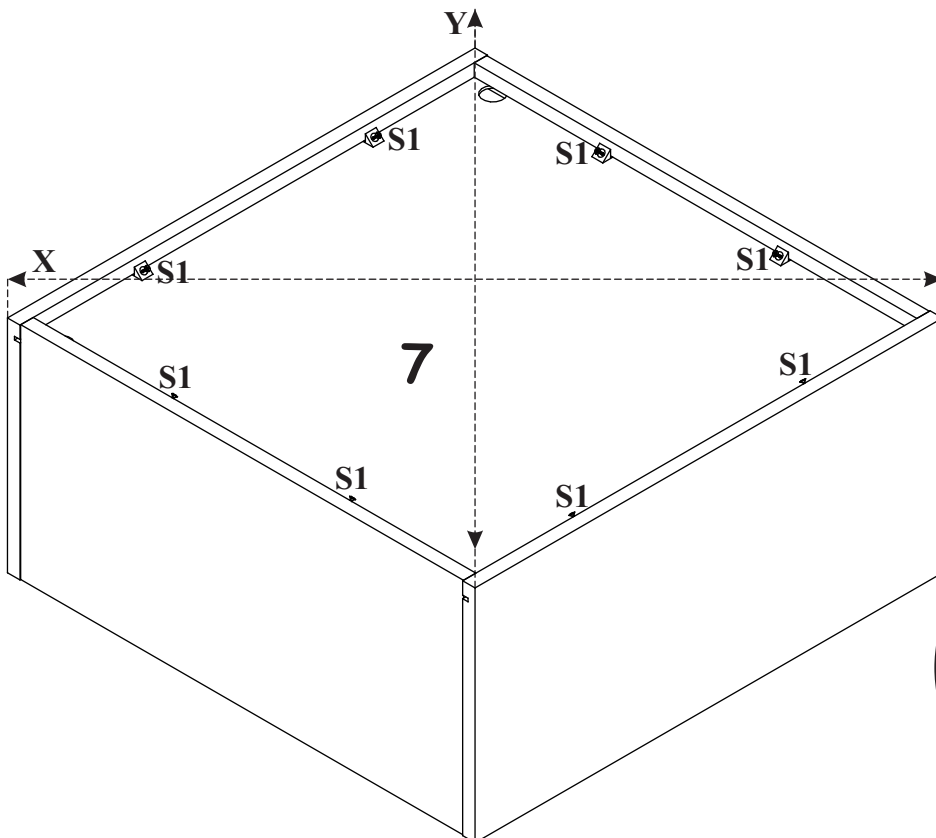
3



3

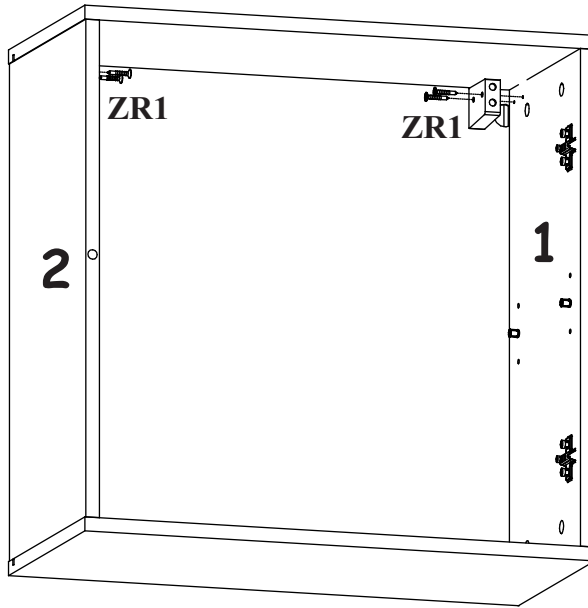
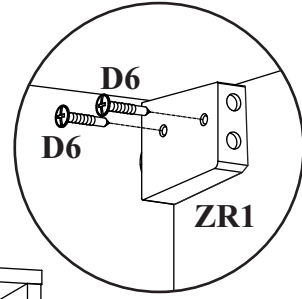
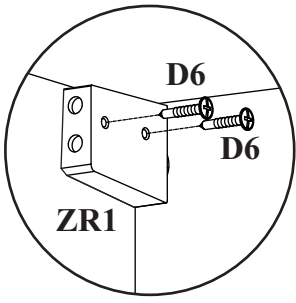


4

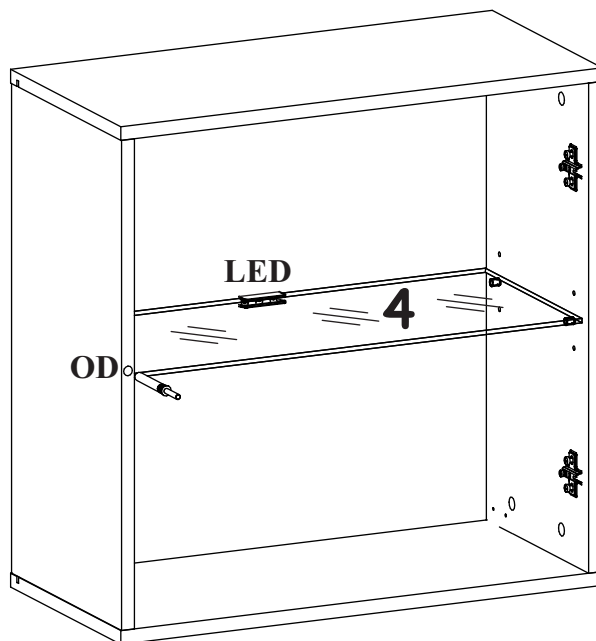
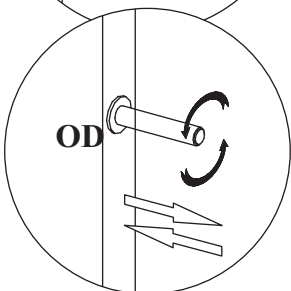
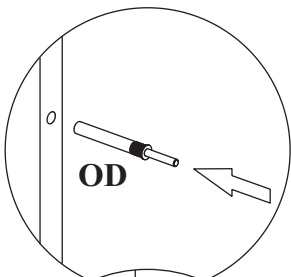
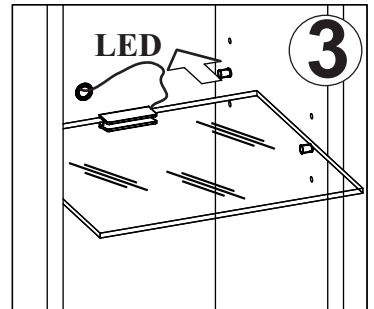
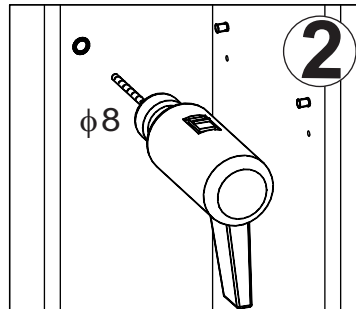
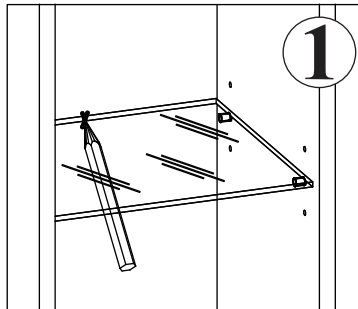


SWITCH WW 3

5

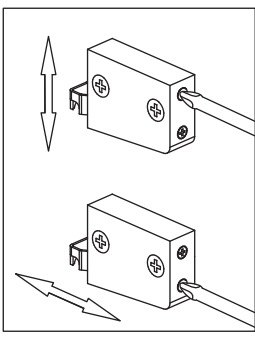
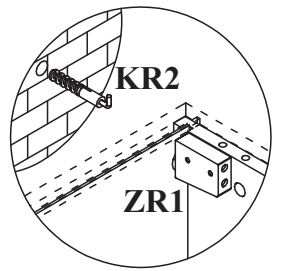
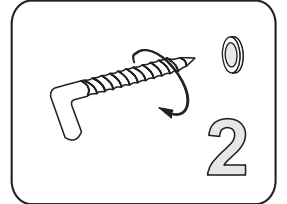
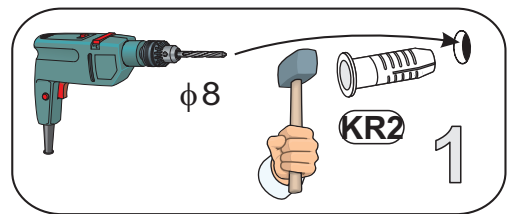
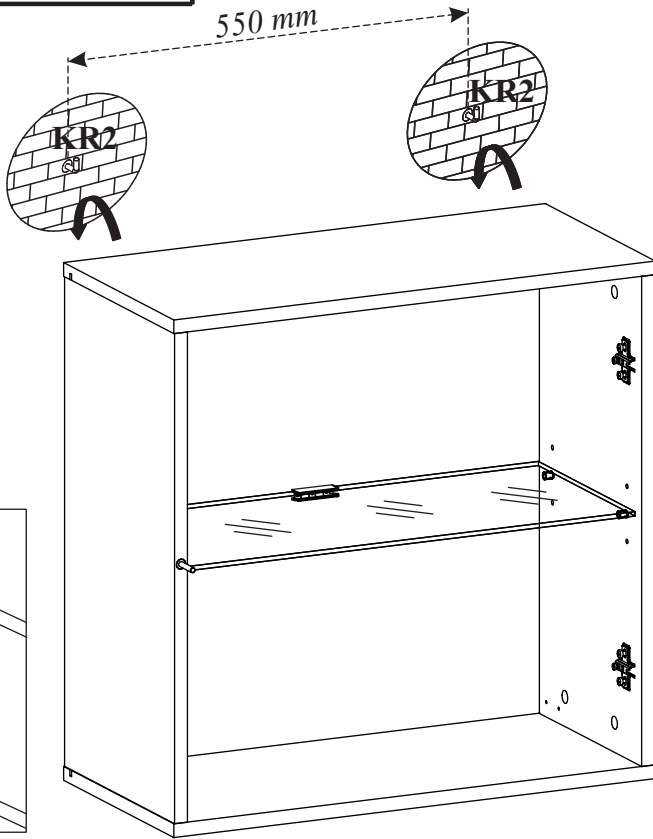


6

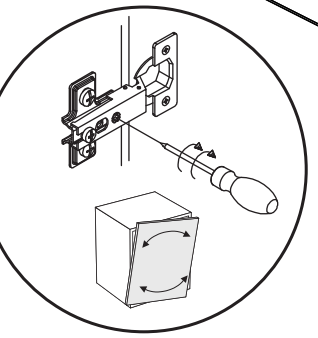
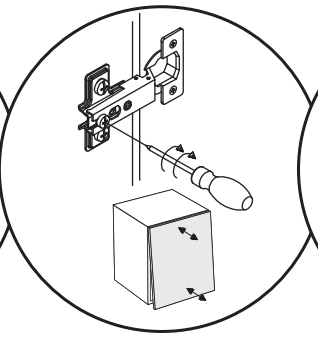
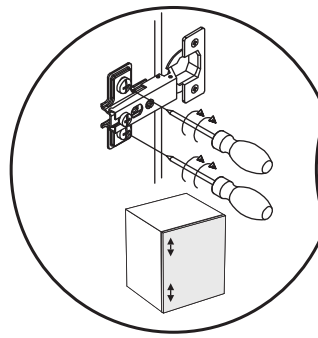
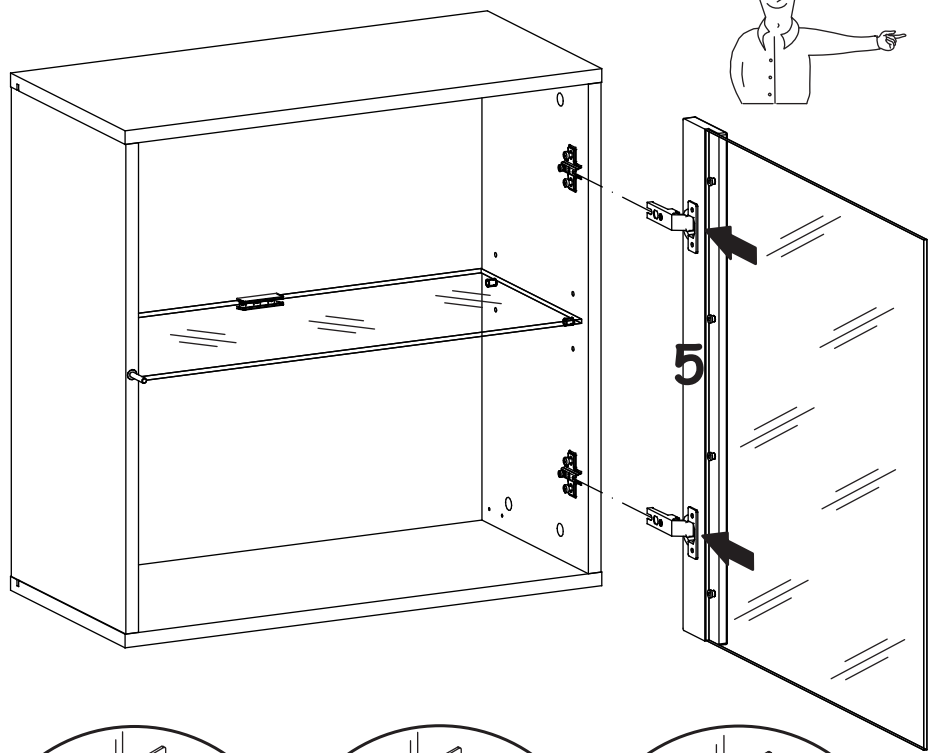


SWITCH WW 3

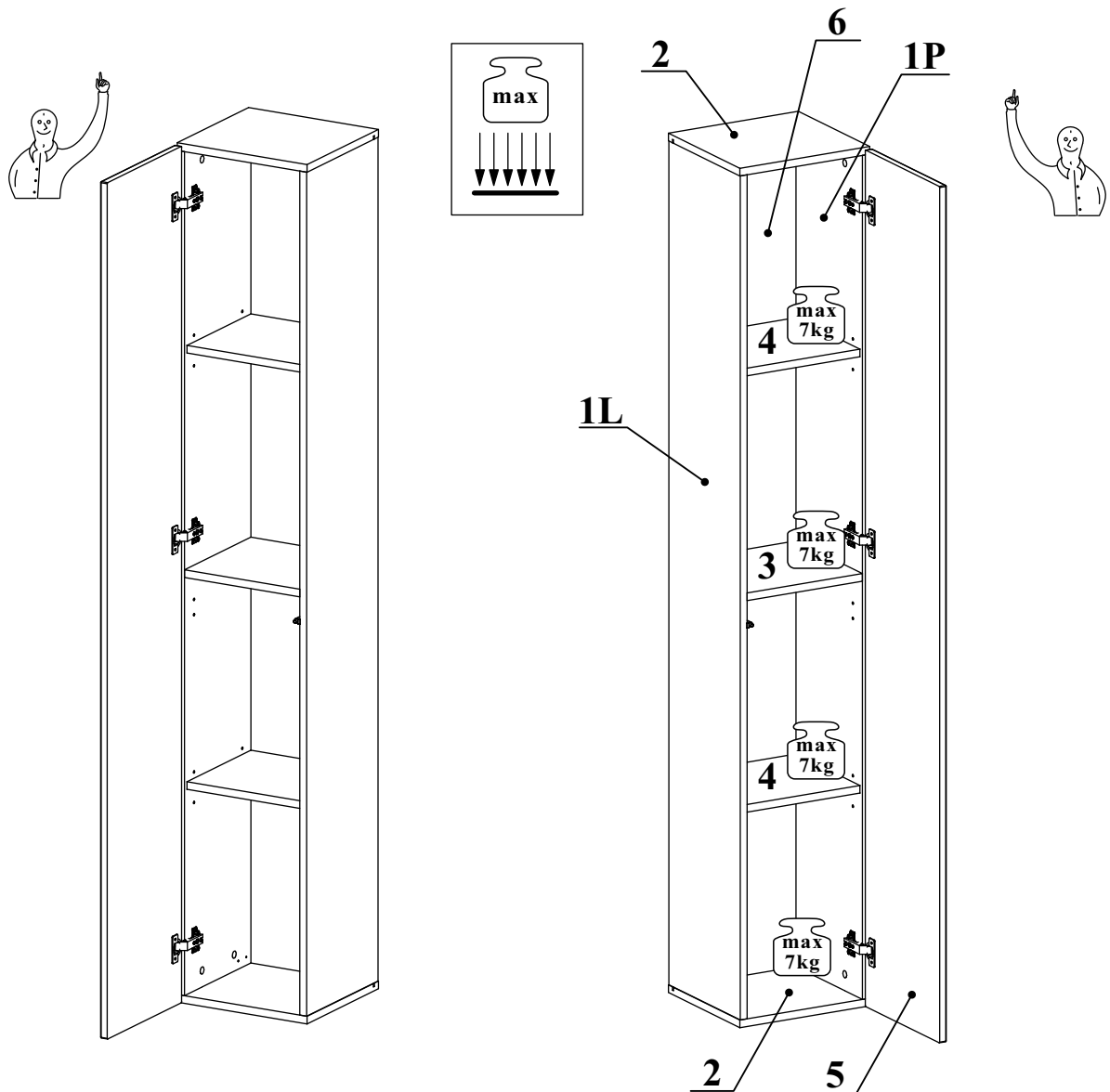
7



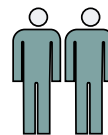
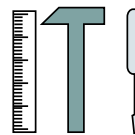
8



SWITCH SW1



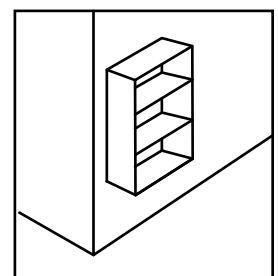
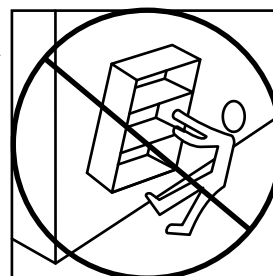
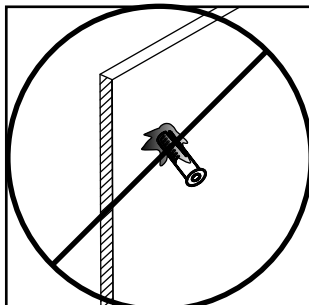
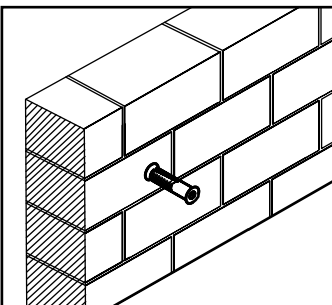
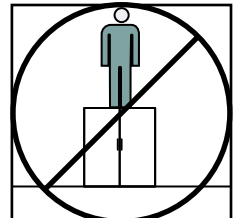
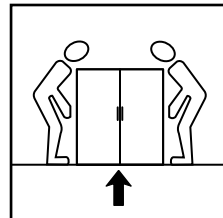
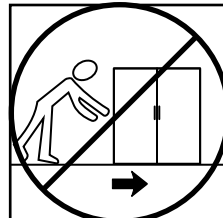
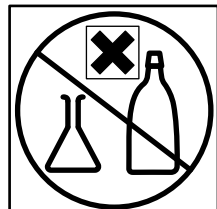
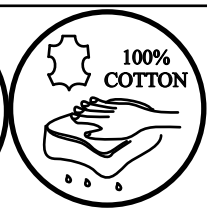
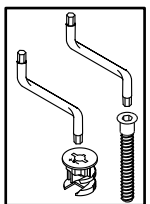
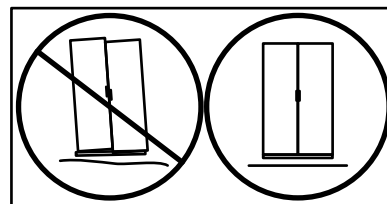
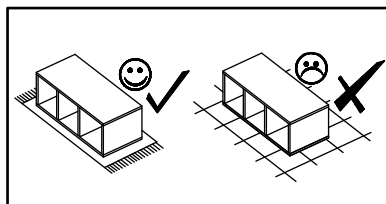
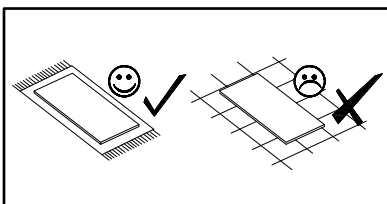
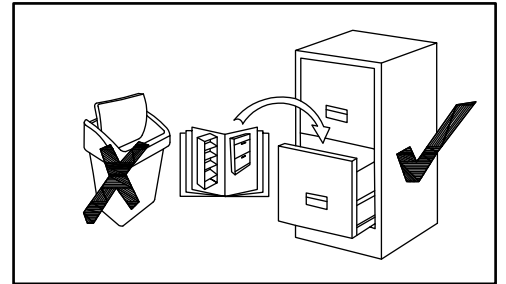
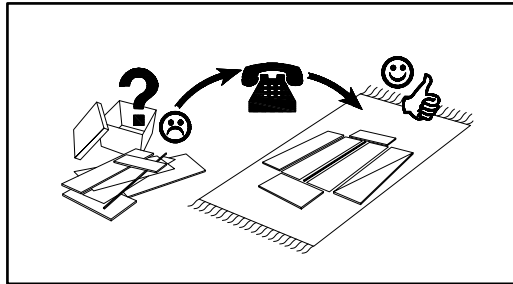
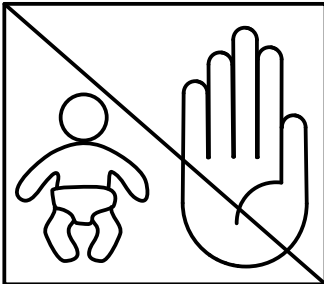
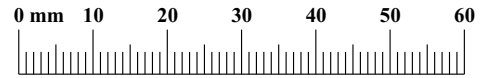
NO	Dim.		Col.-No	Qty
1	1170	284	1	1
2	1170	284	1	1
3	302	284	1	2
5	268	254	1	1
4	268	264	1	1
7	1182	280	1	1
6	296	1196	1	1



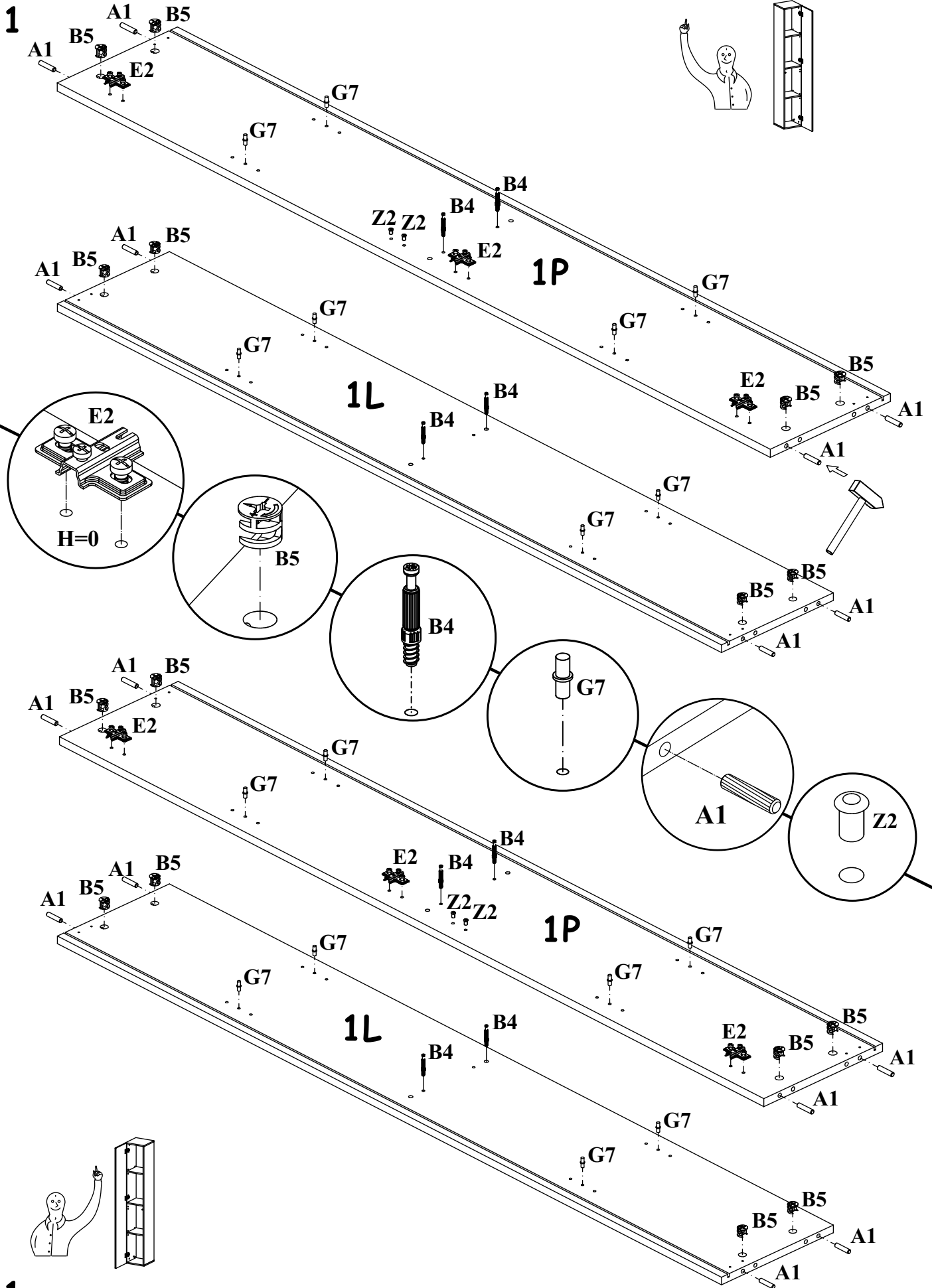
60 min

SWITCH - SW1

A1 X12 ø8x36	B4 X12	G5 X12	B5 X12 ø15x12	G7 X8	S1 X10
Z2 X2 ø5	D10 X8 USØ3,5x13	G2 X1	E1 X3 Ø26 H=0	E2 X3 H=0	ZR1 X2
D6 X4 USØ3,5x30	OD1 X1	KR2 X2			

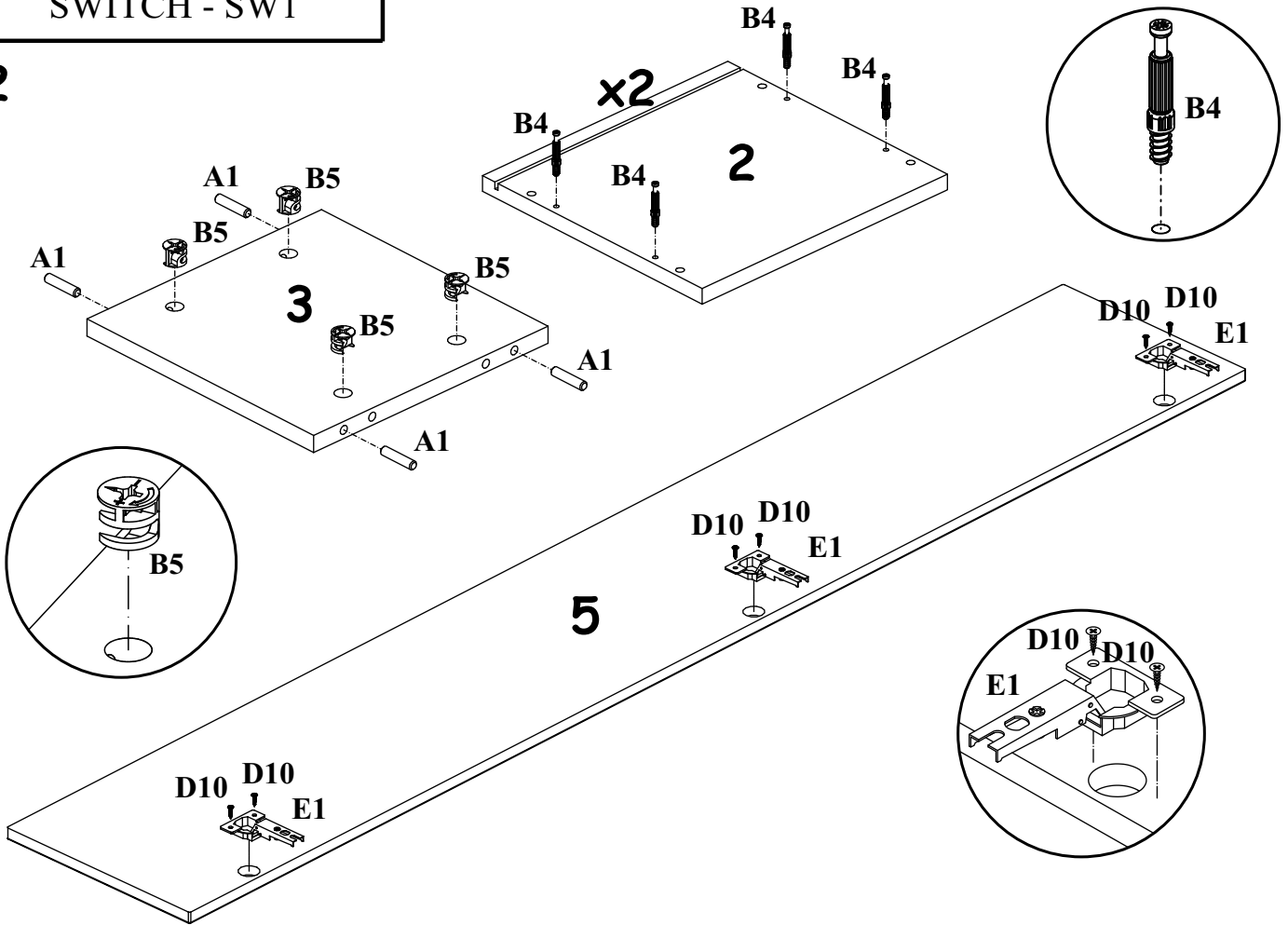


SWITCH - SW1

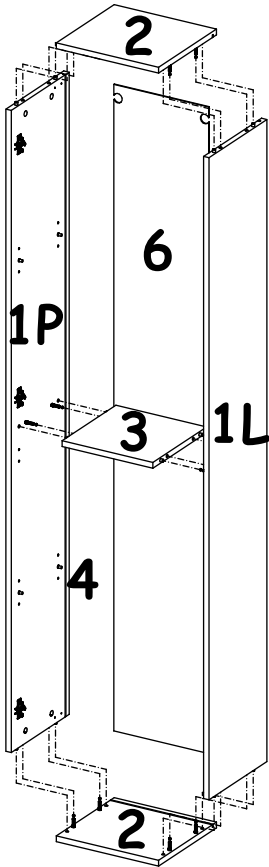
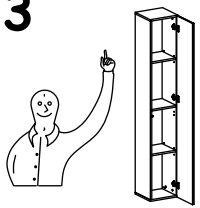


SWITCH - SW1

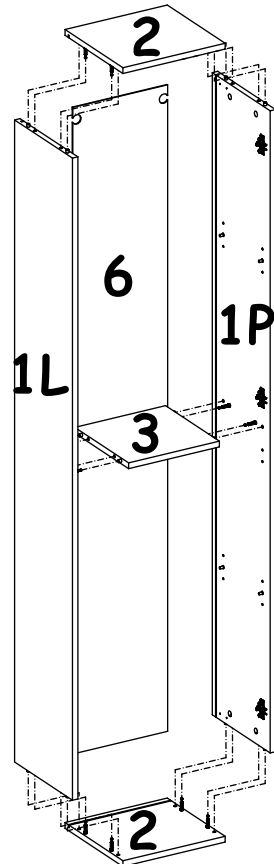
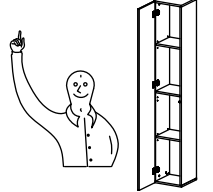
2



3

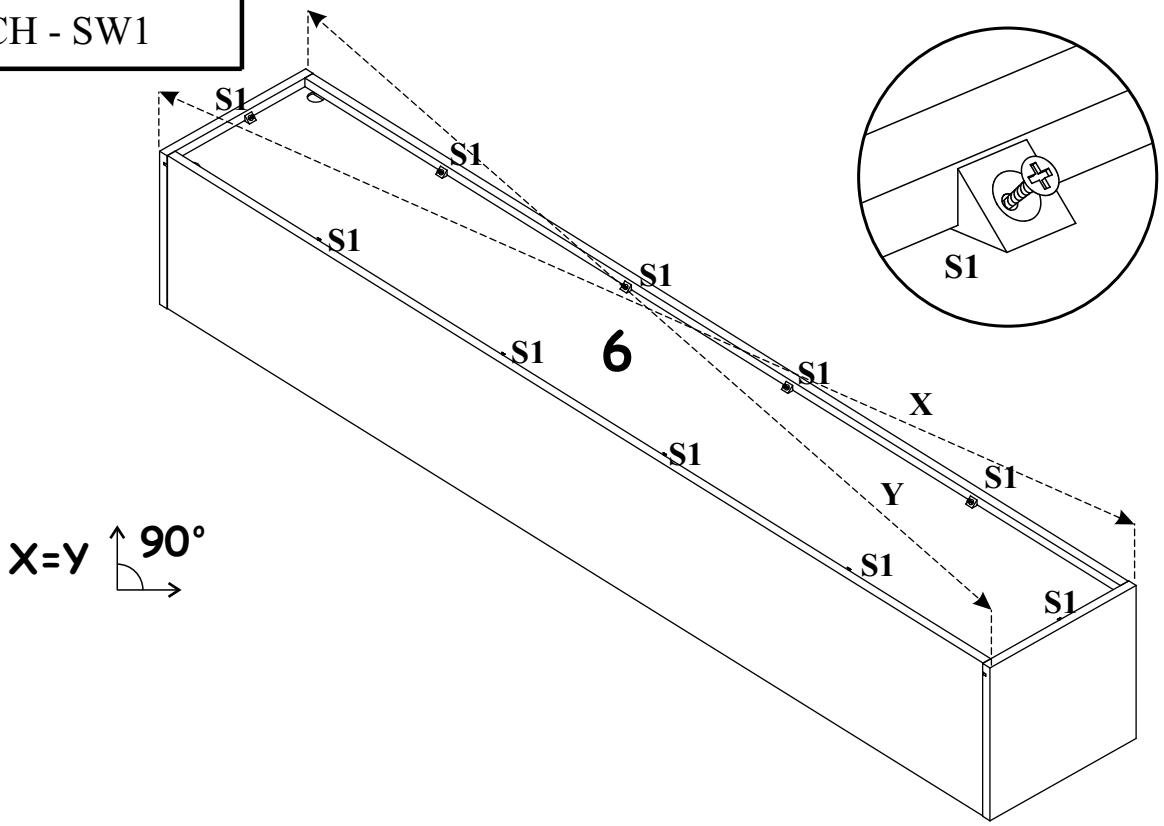


3

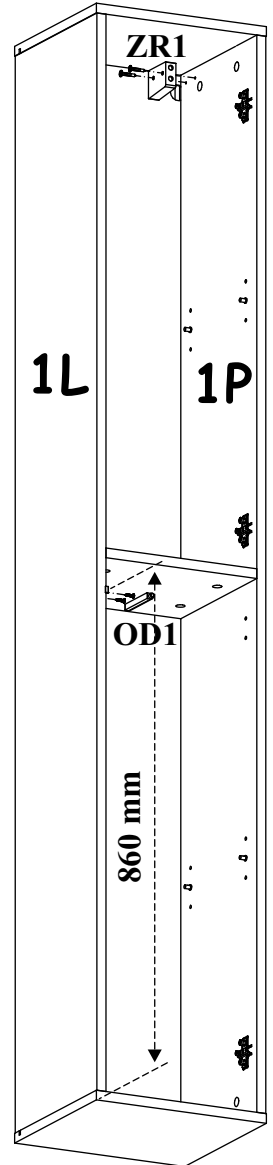
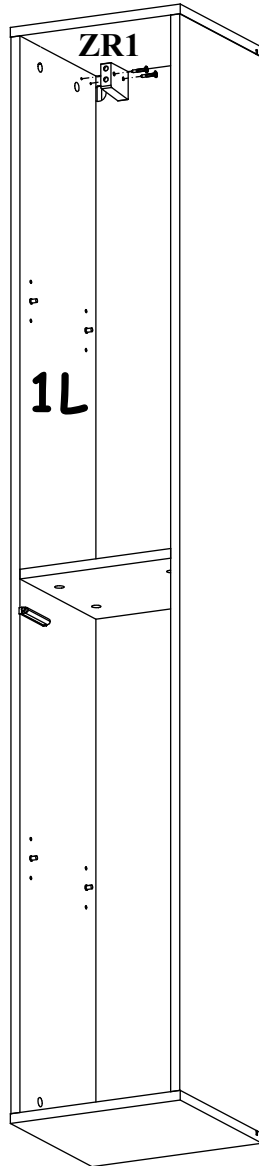
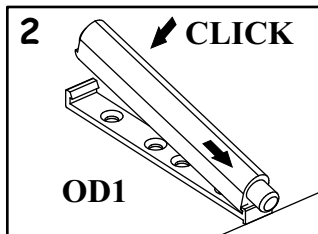
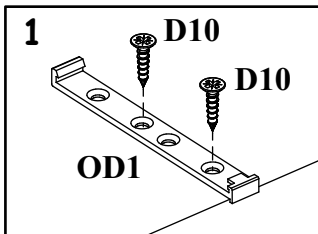
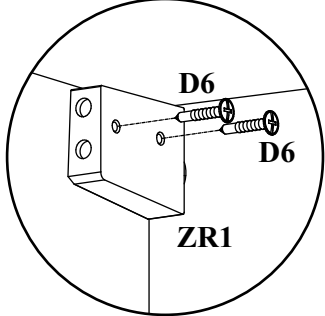
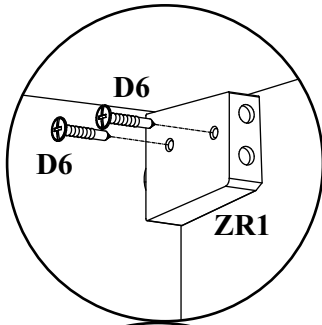
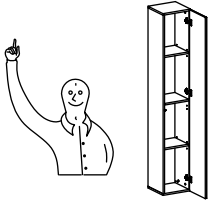


SWITCH - SW1

4

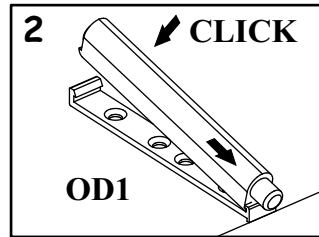
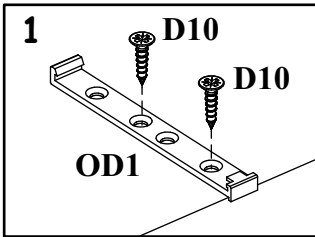
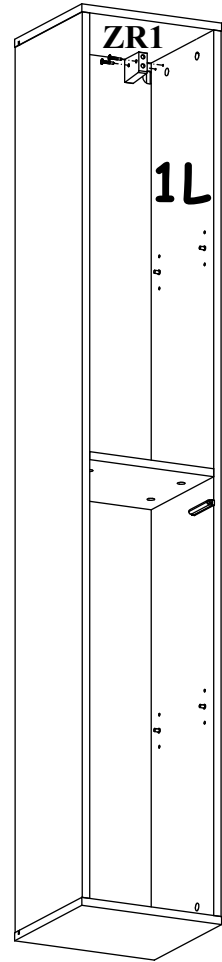
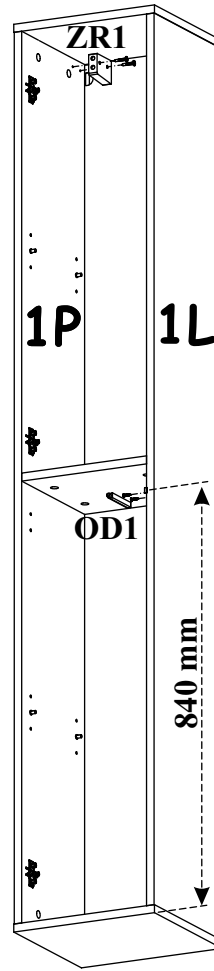
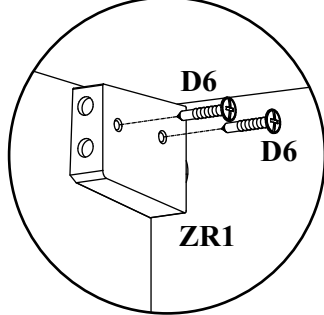
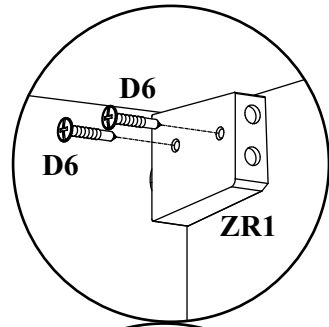
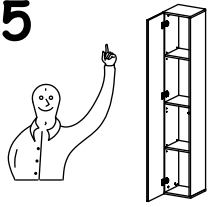


5

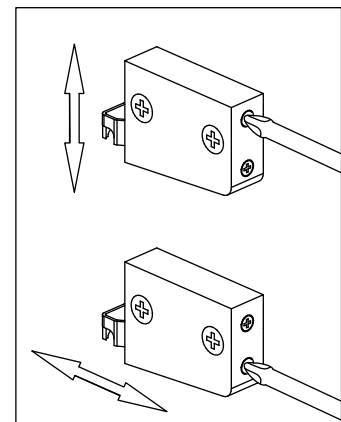
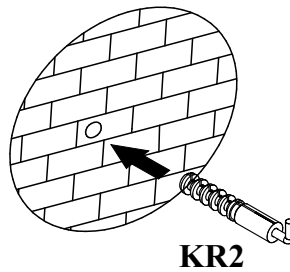
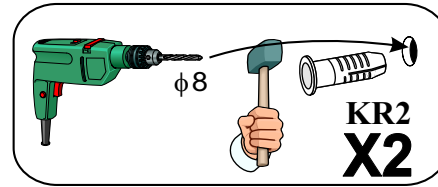
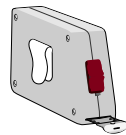
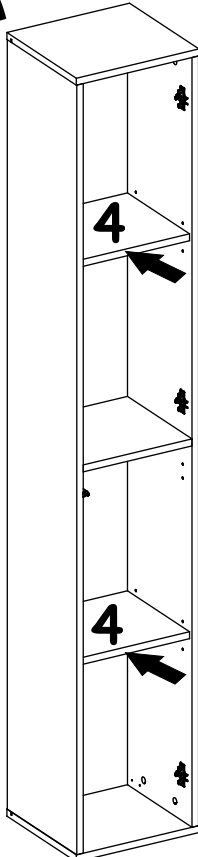
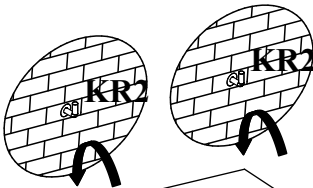


SWITCH - SW1

5

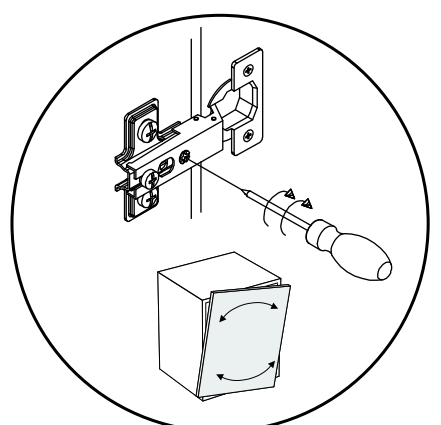
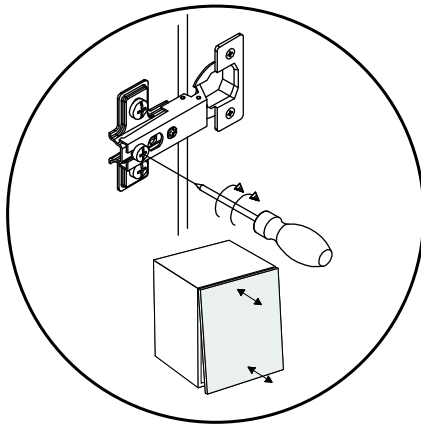
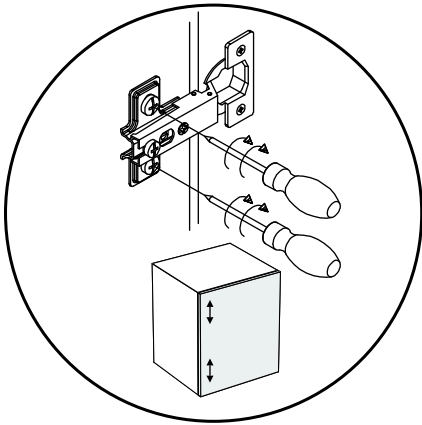
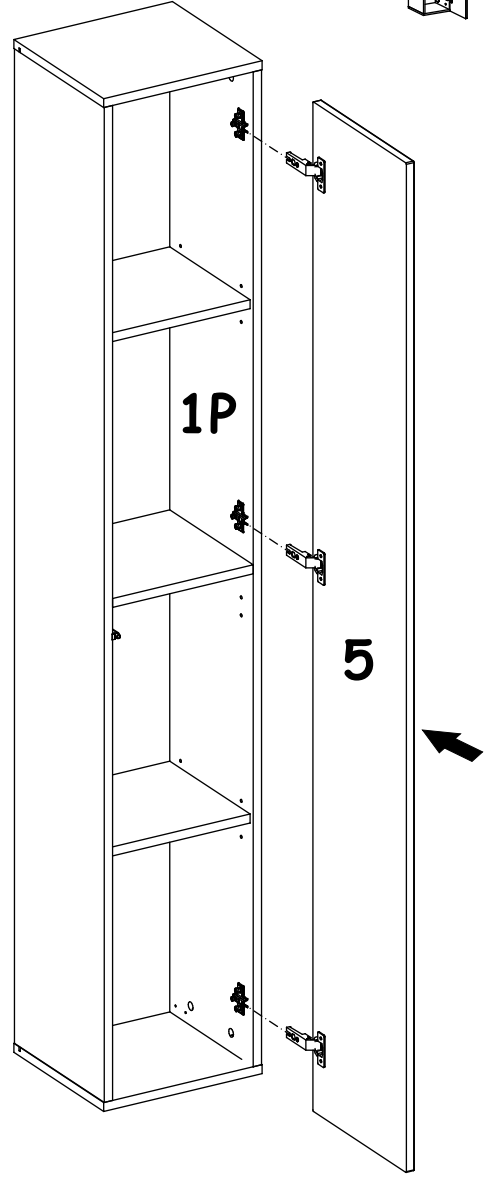
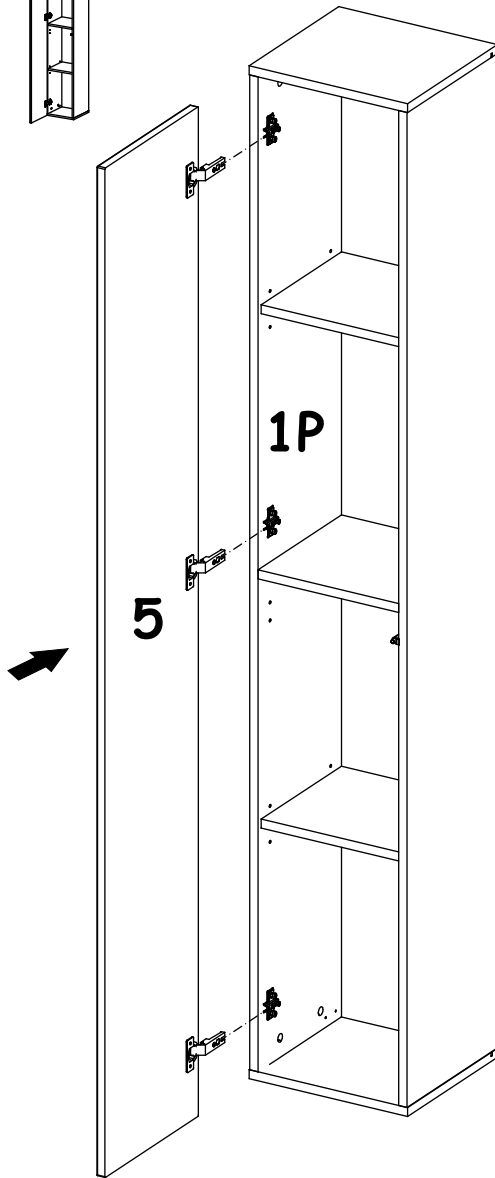
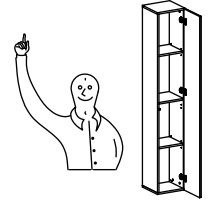
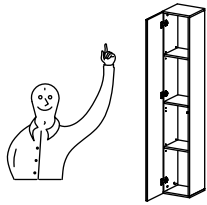


6

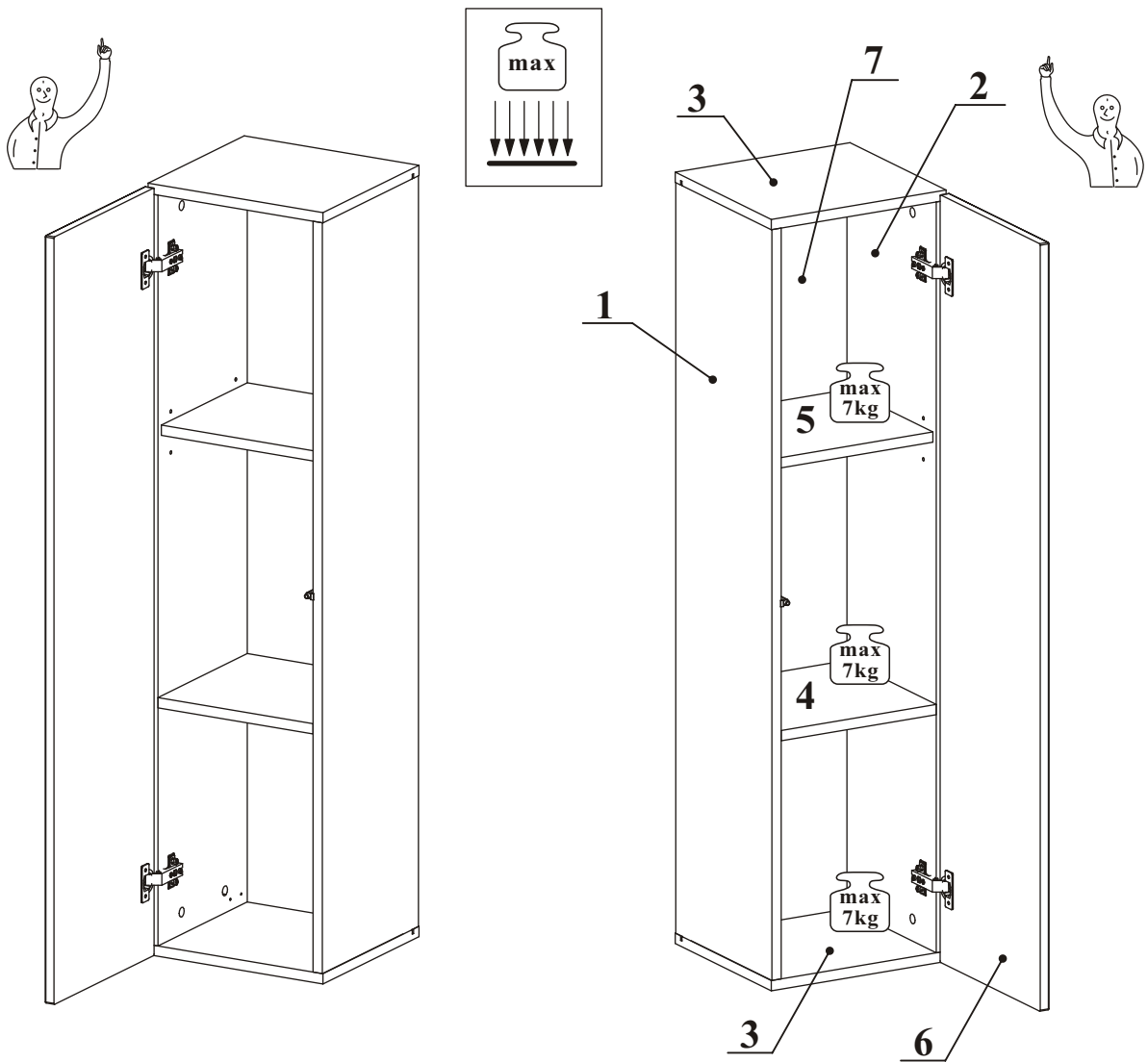


SWITCH - SW1

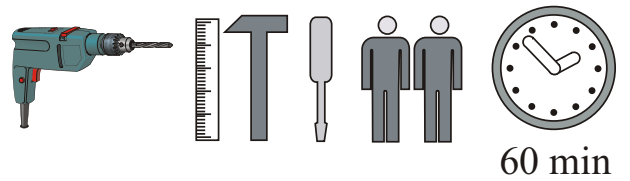
7



SWITCH SW2



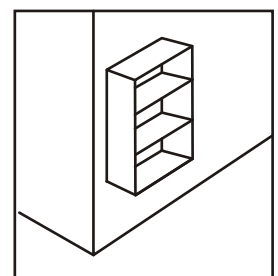
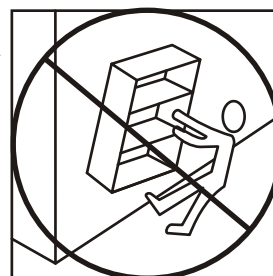
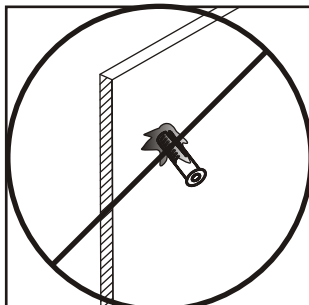
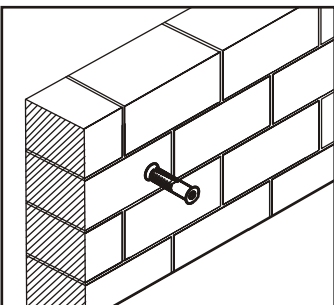
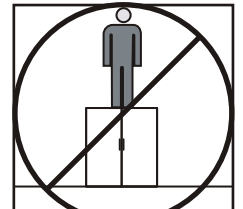
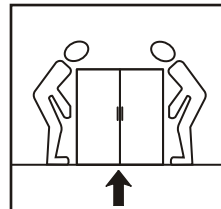
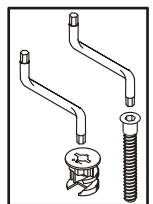
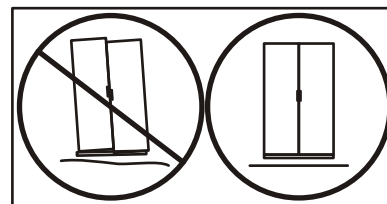
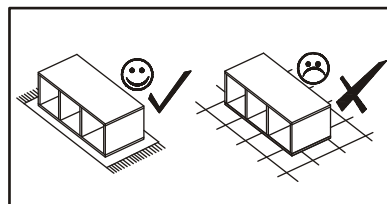
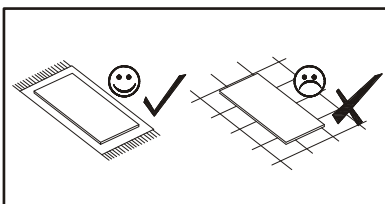
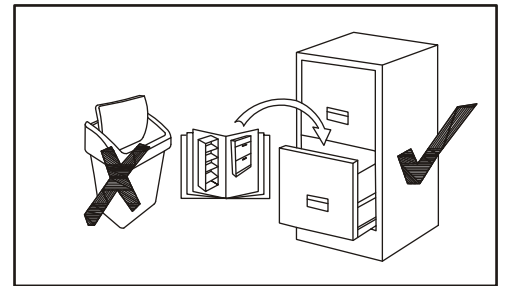
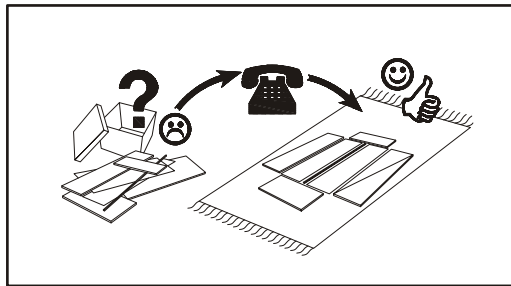
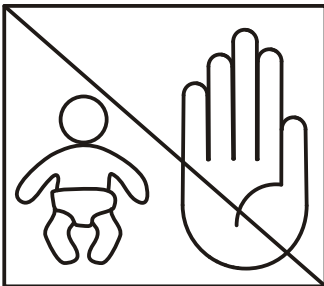
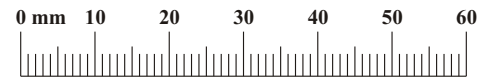
NO	Dim.		Col.-No	Qty
1	1170	284	1	1
2	1170	284	1	1
3	302	284	1	2
5	268	254	1	1
4	268	264	1	1
7	1182	280	1	1
6	296	1196	1	1



60 min

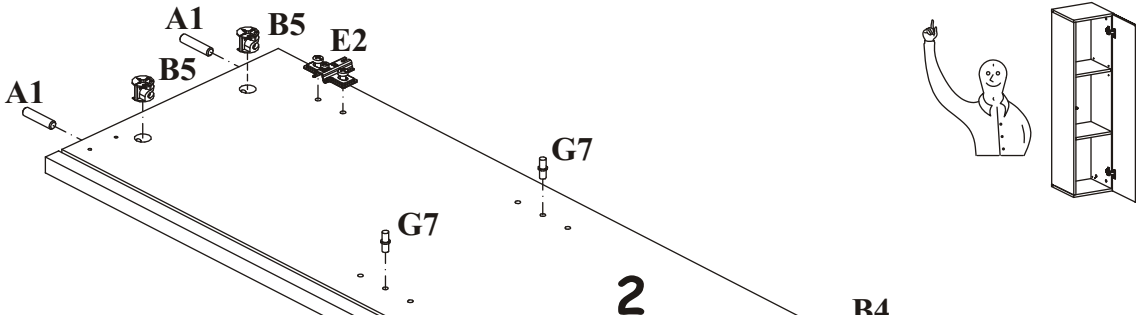
SWITCH - SW2

A1 X12 ø8x36	B4 X12	G5 X12	B5 X12 ø15x12	G7 X4	S1 X10
Z2 X4 ø5	D10 X6 USØ3,5x13	G2 X1	E1 X2 Ø26 H=0	E2 X2 H=0	ZR1 X2
D6 X4 USØ3,5x30	OD1 X1	KR2 X2			

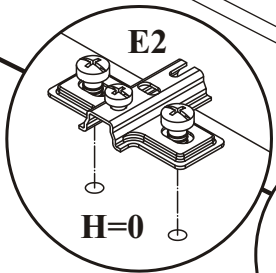
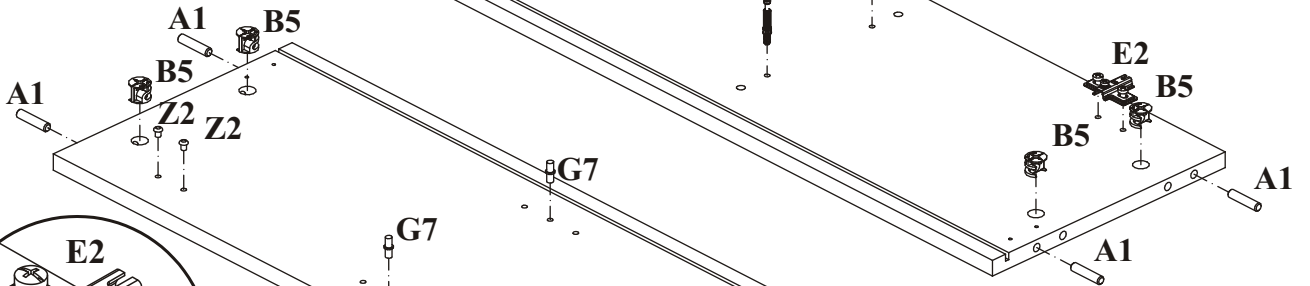


SWITCH - SW2

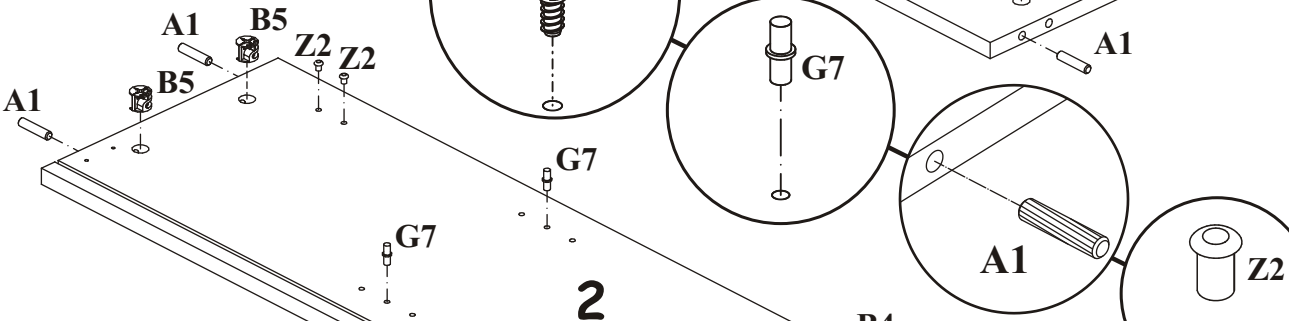
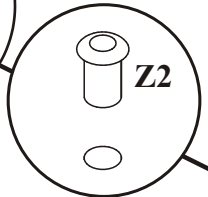
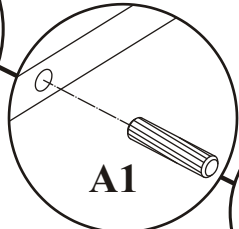
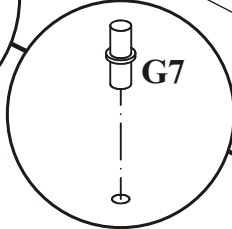
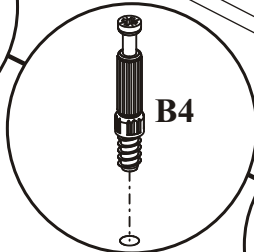
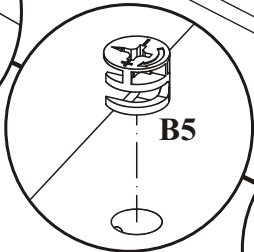
1



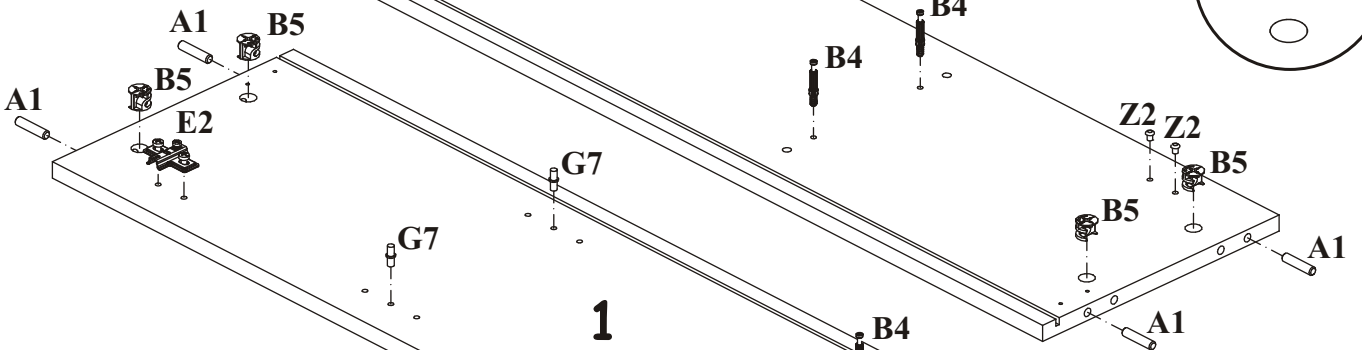
2



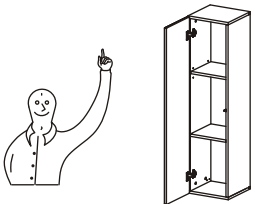
H=0



2



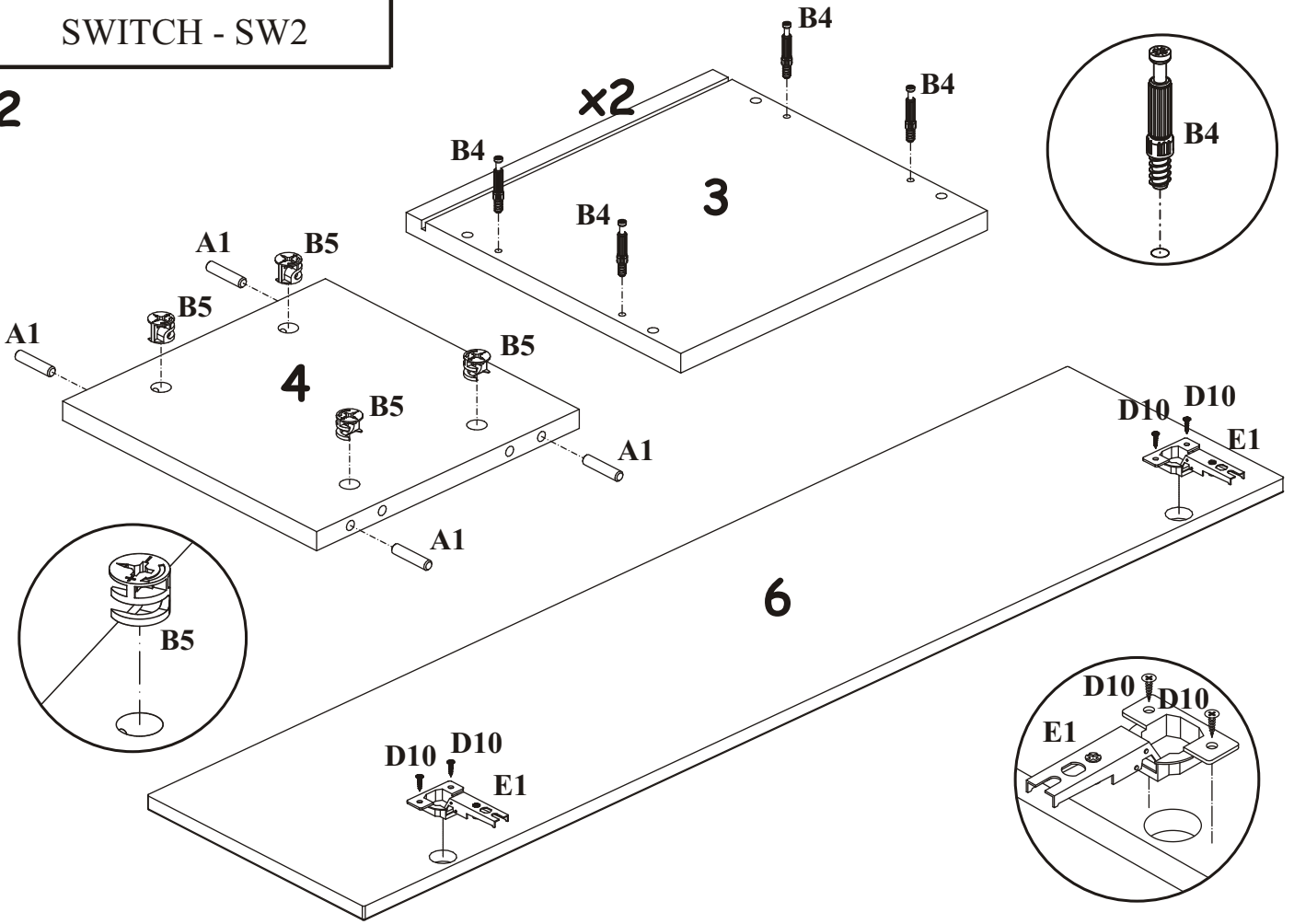
1



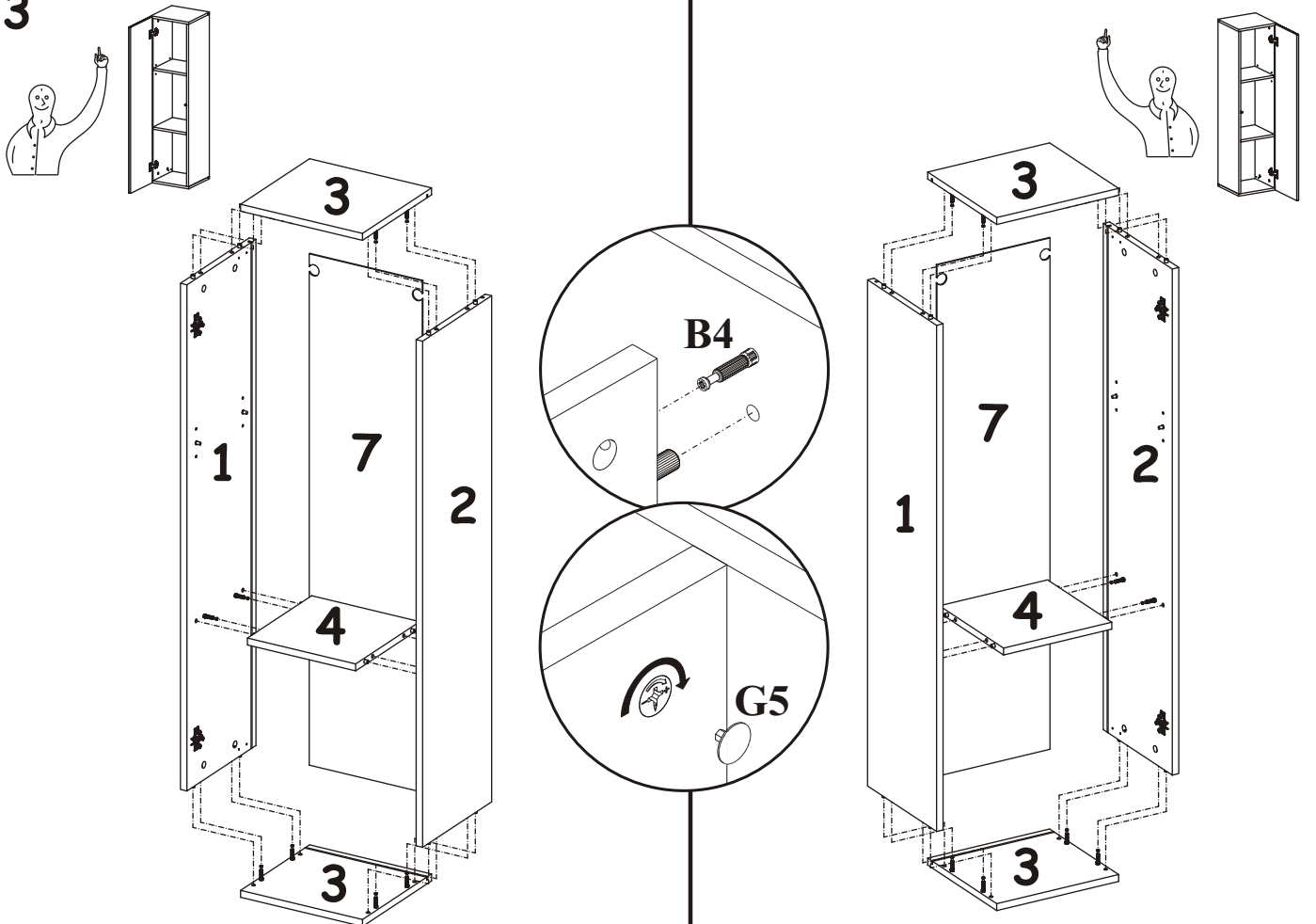
1

SWITCH - SW2

2

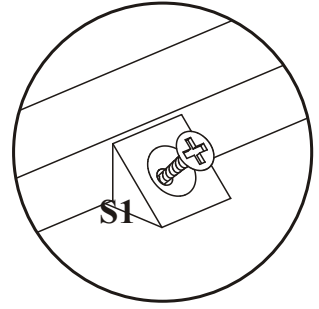
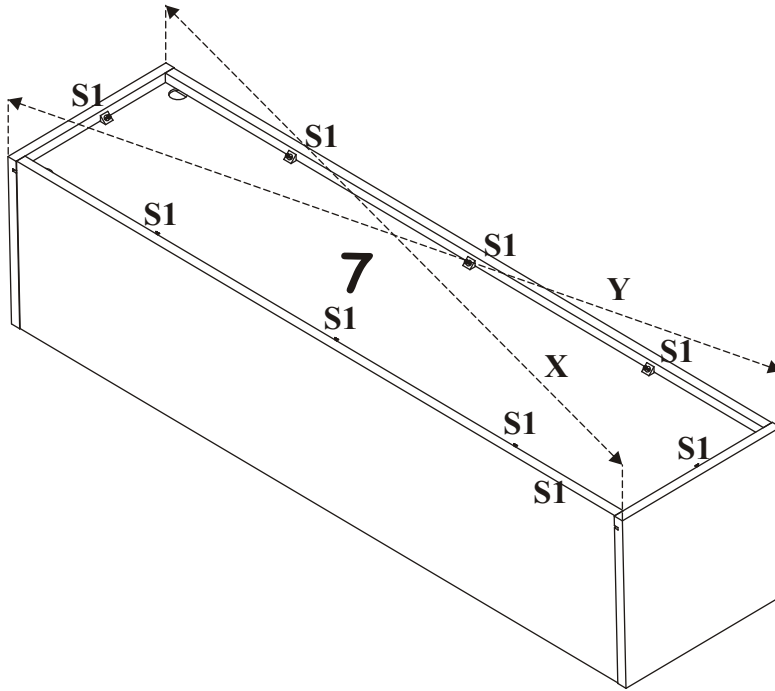


3



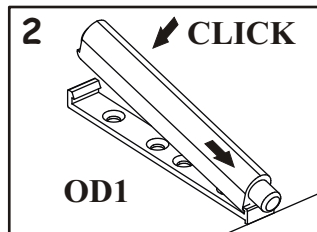
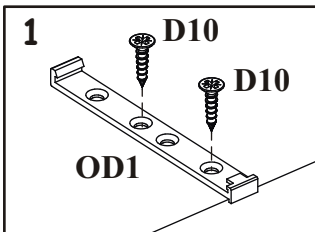
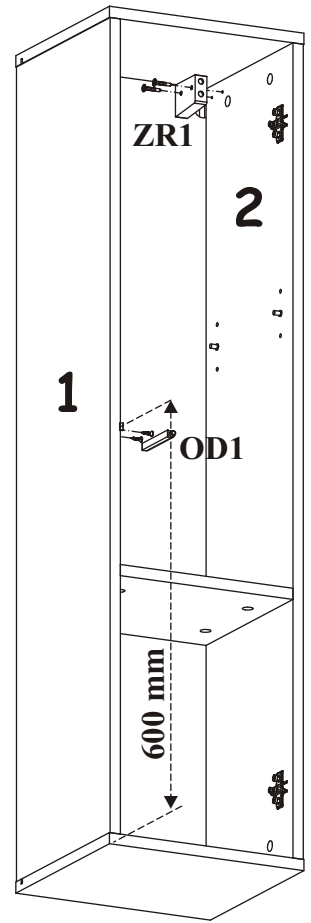
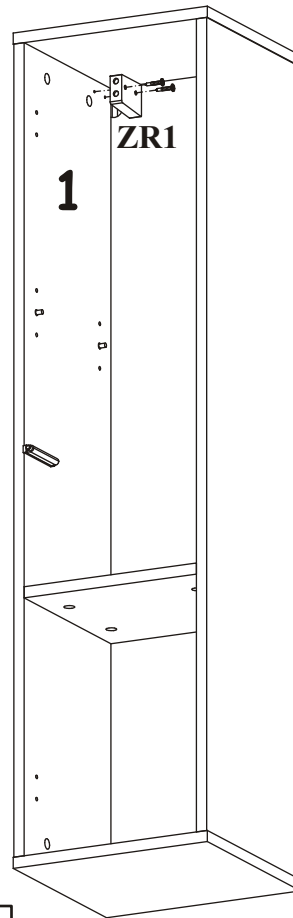
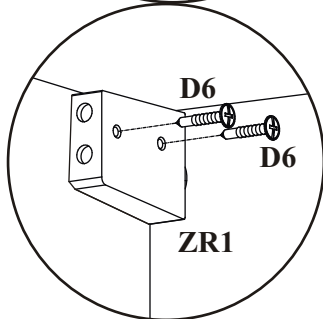
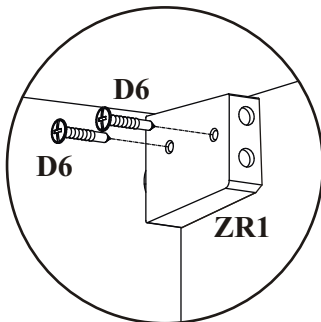
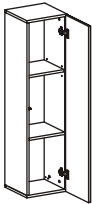
SWITCH - SW2

4



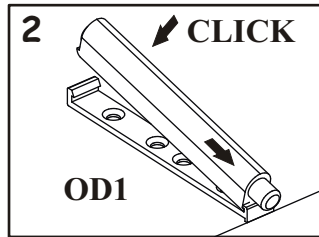
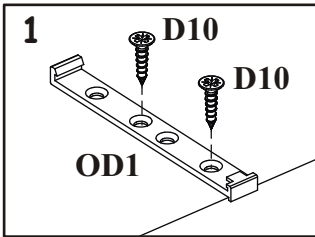
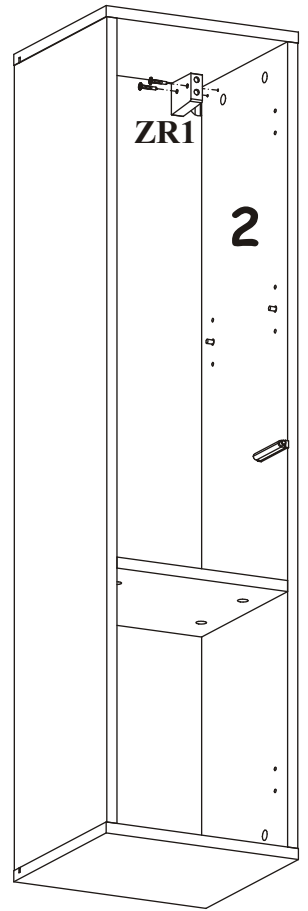
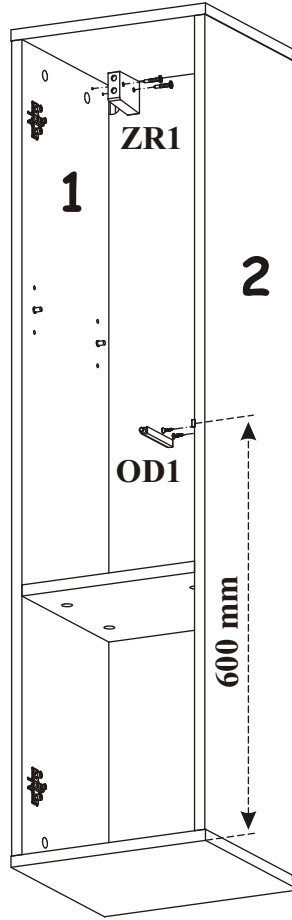
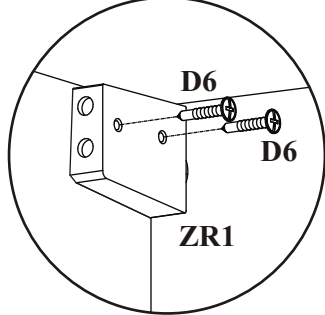
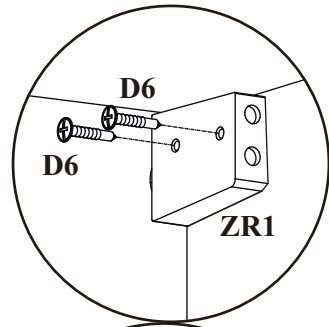
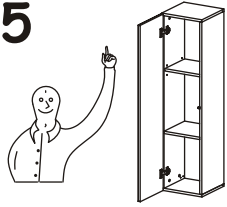
$X=Y$ $\begin{matrix} \uparrow \\ 90^\circ \end{matrix}$

5

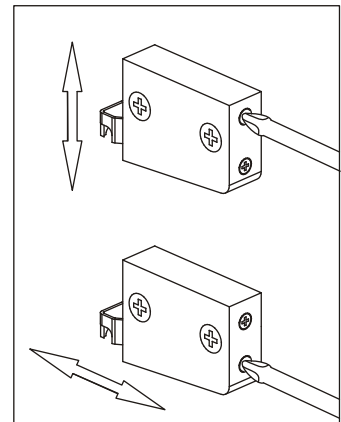
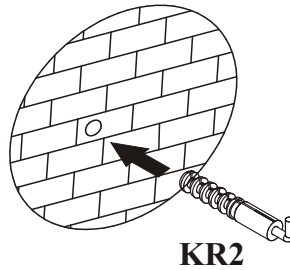
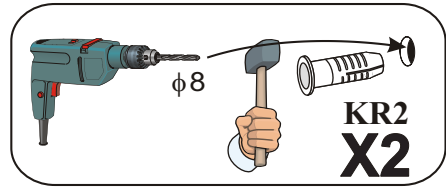
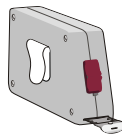
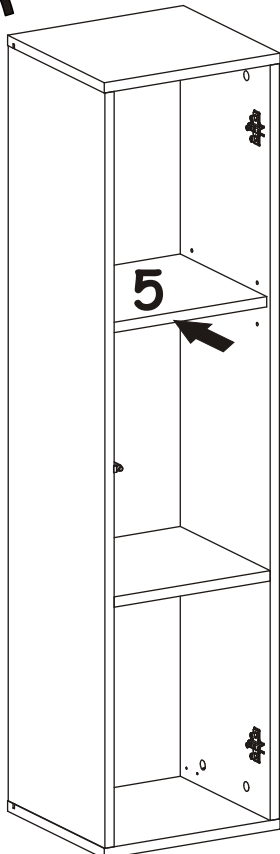
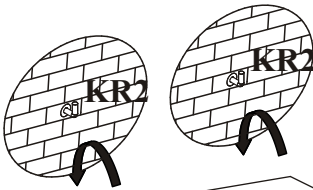


SWITCH - SW2

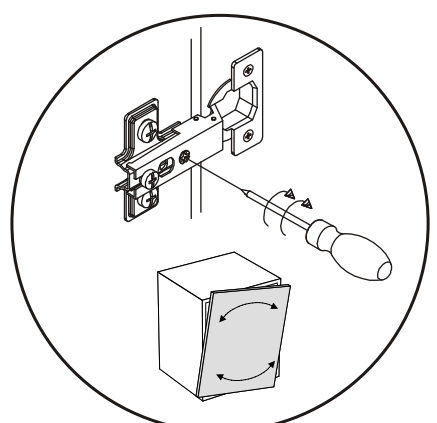
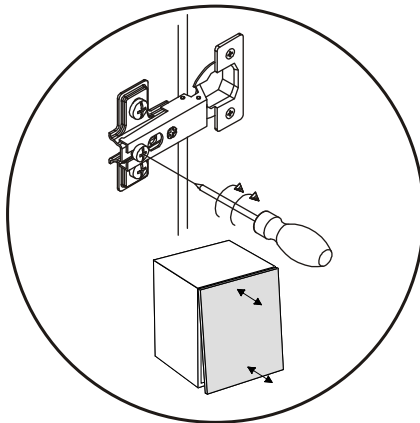
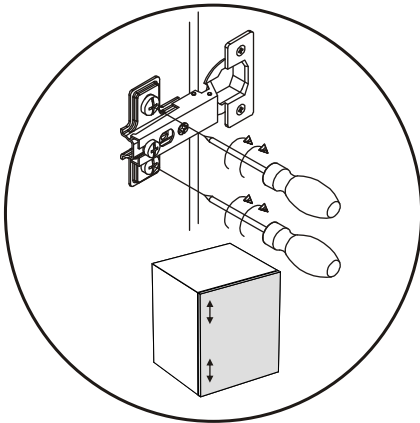
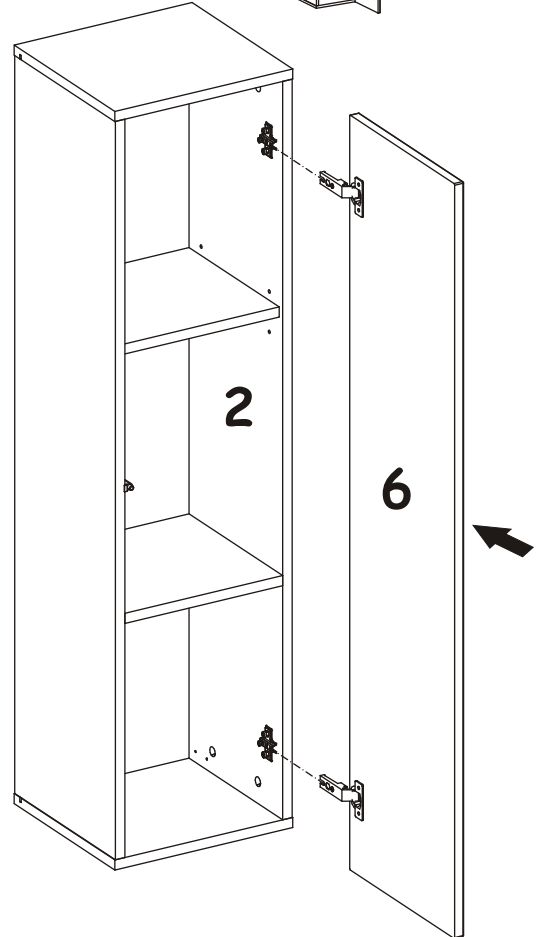
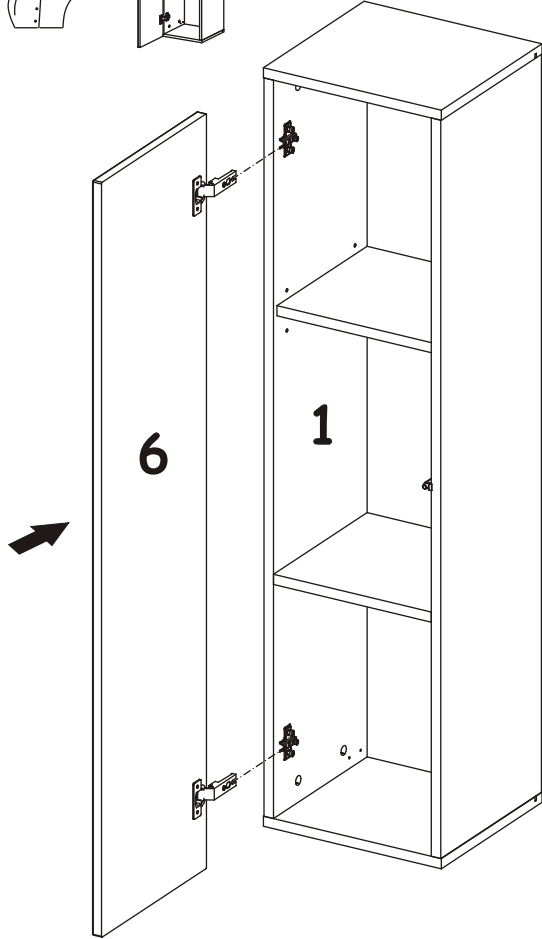
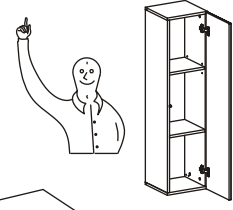
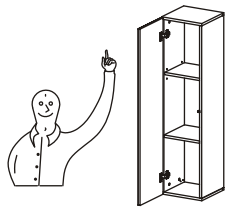
5



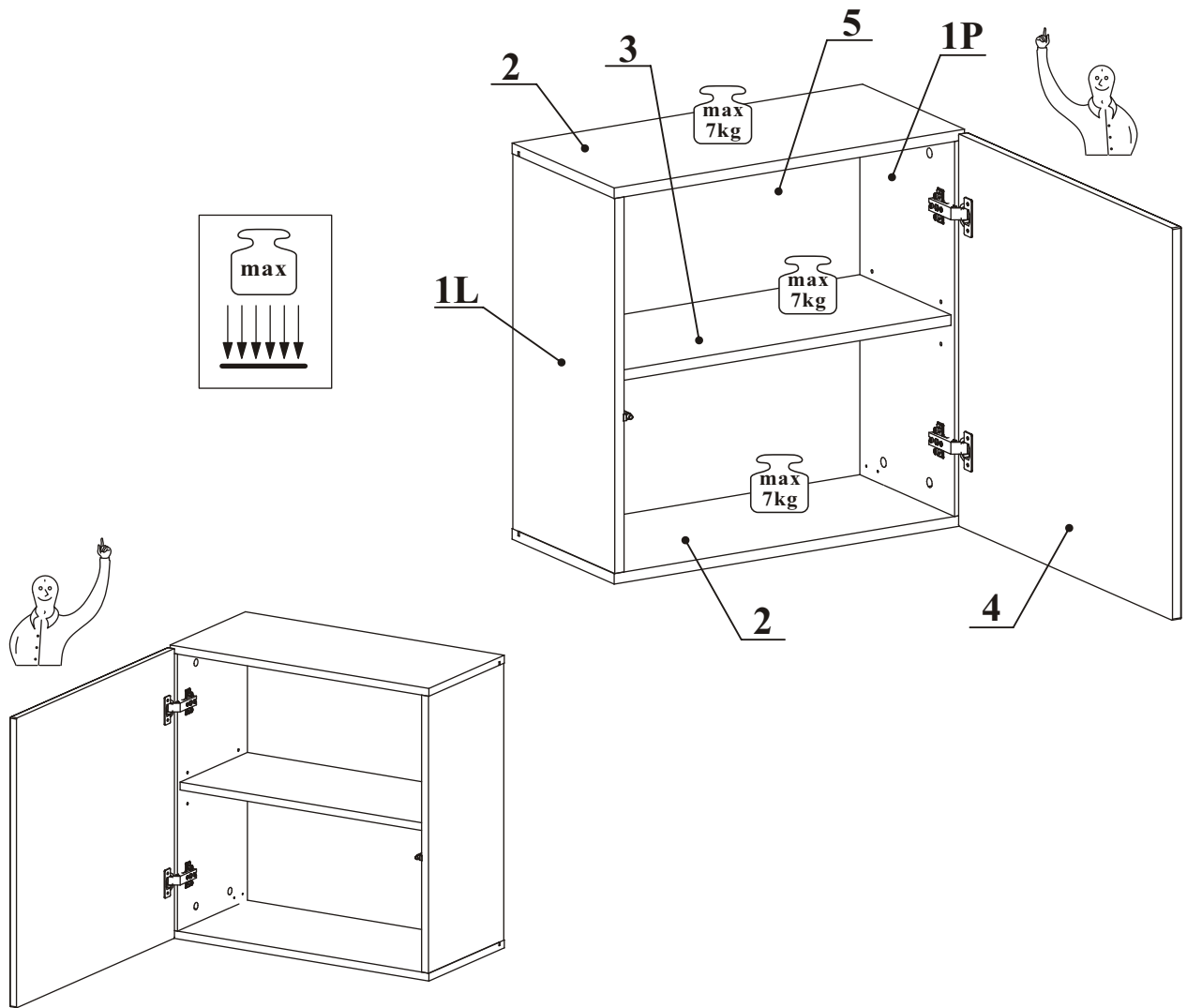
6



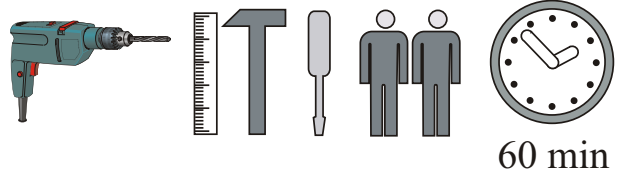
7



SWITCH SW3



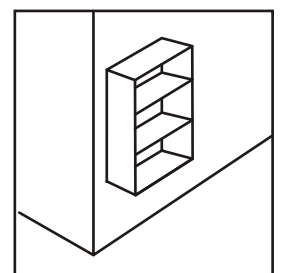
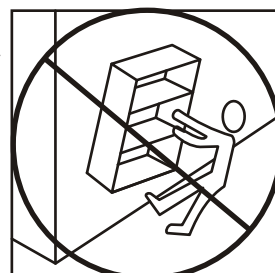
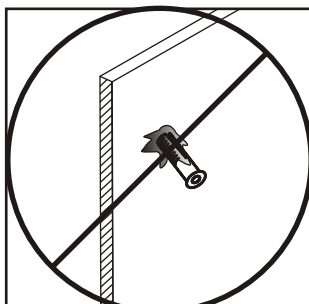
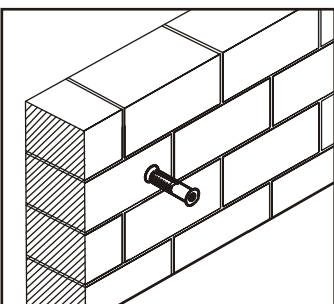
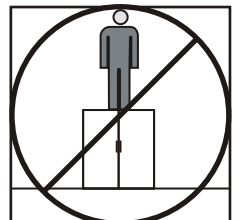
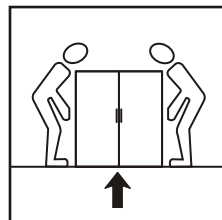
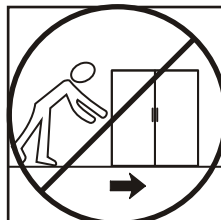
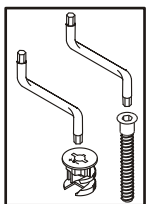
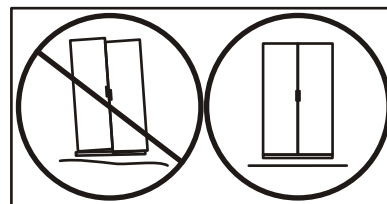
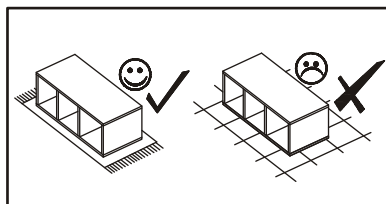
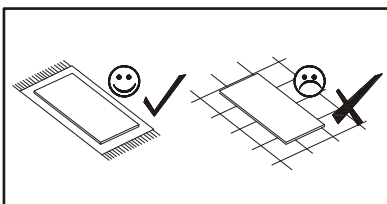
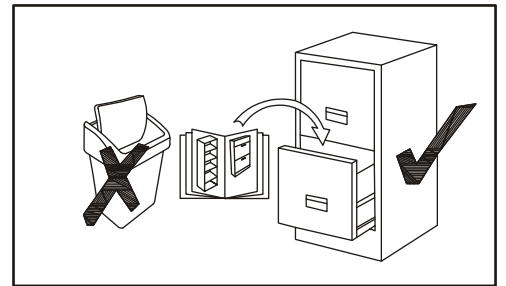
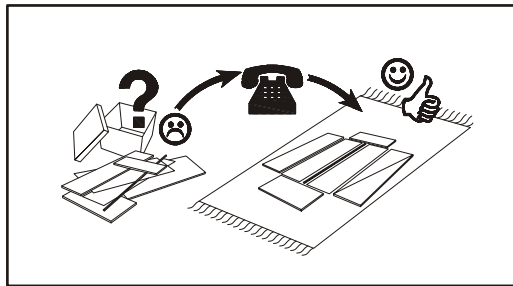
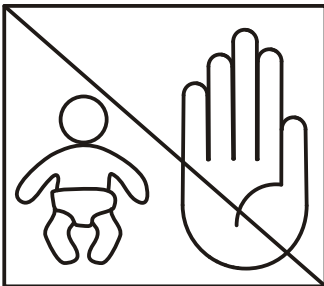
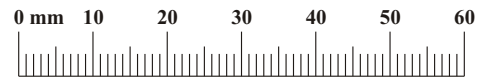
NO	Dim.		Col.-No	Qty
1 L/P	570	284	1	2
2	602	284	1	2
3	568	254	1	1
5	582	580	1	1
4	596	596	1	1



60 min

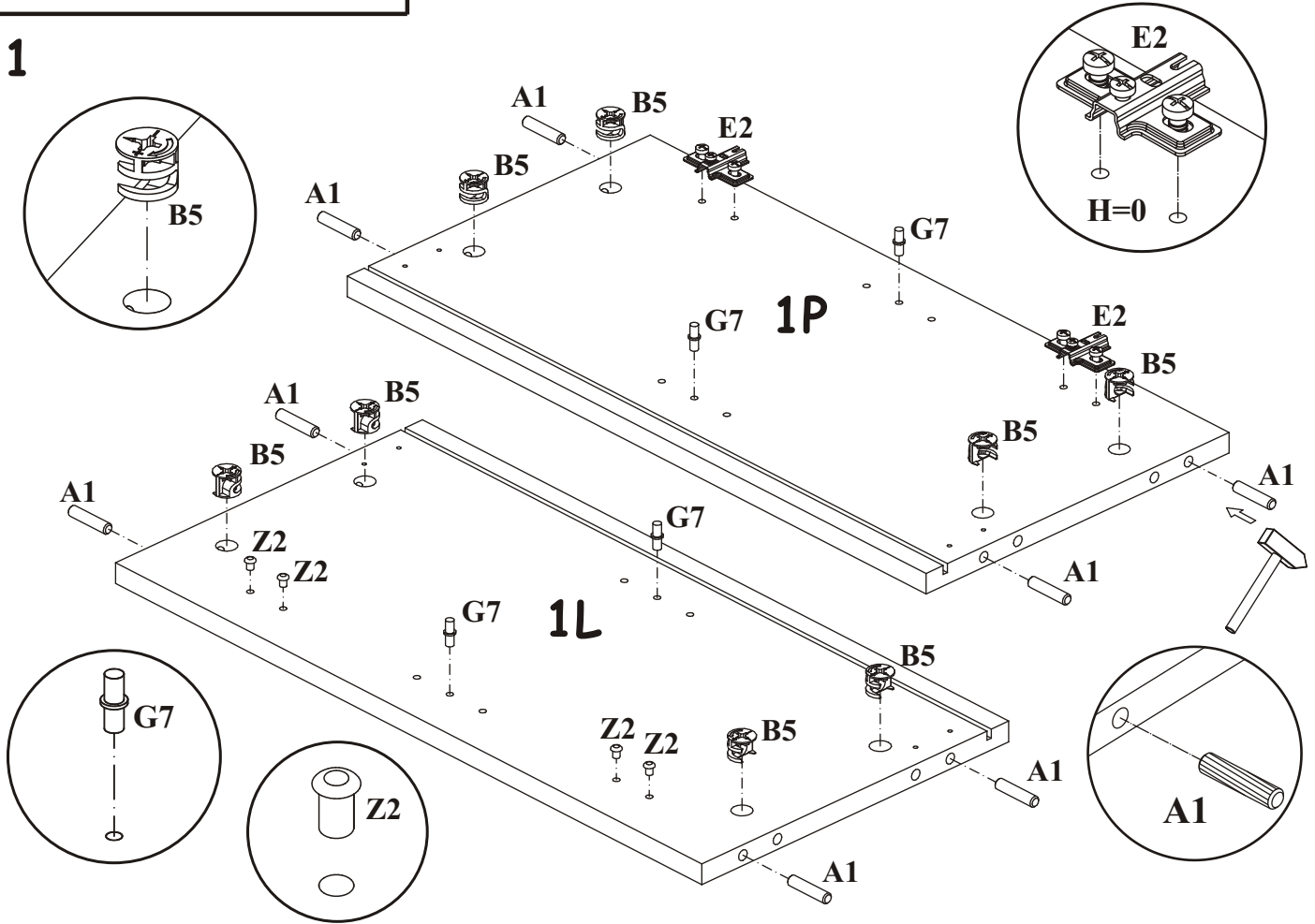
SWITCH - SW3

A1 X8 ø8x36	B4 X8	G5 X8	B5 X8 ø15x12	G7 X4	S1 X8
Z2 X4 ø5	D10 X6 USØ3,5x13	G2 X1	E1 X2 Ø26 H=0	E2 X2 H=0	ZR1 X2
D6 X4 USØ3,5x30	OD1 X1	KR2 X2			

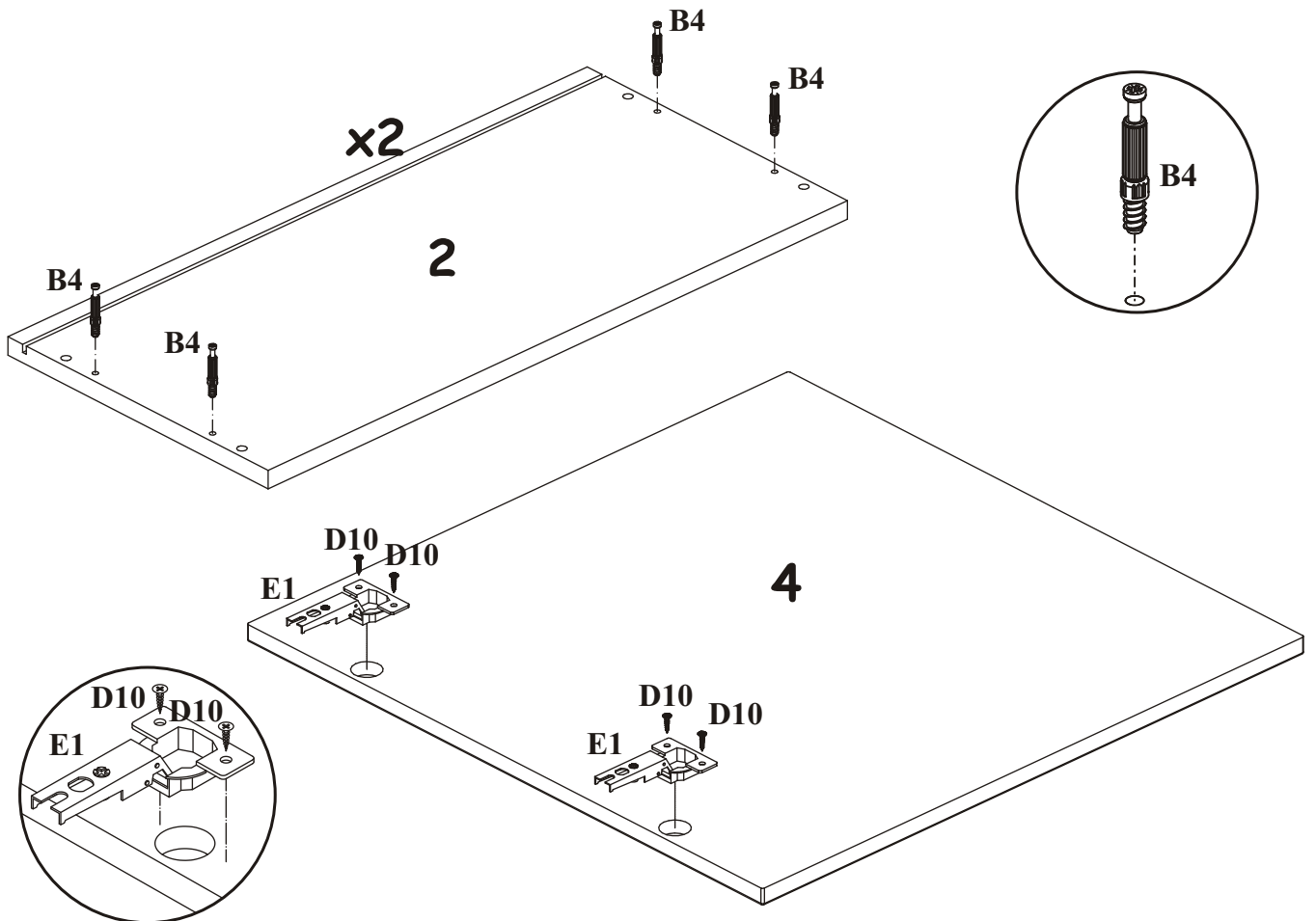


SWITCH - SW3

1

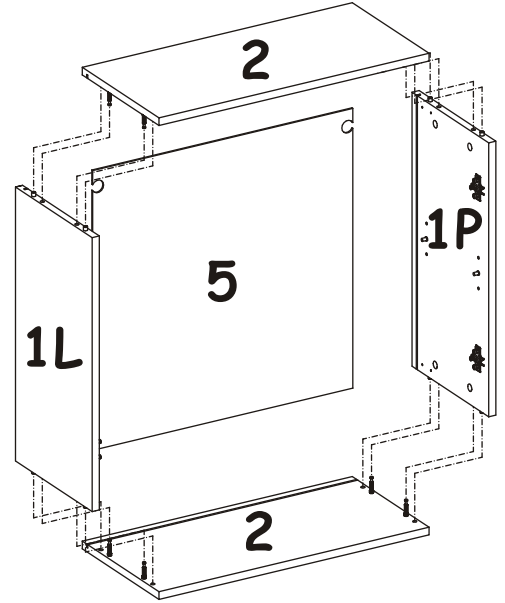
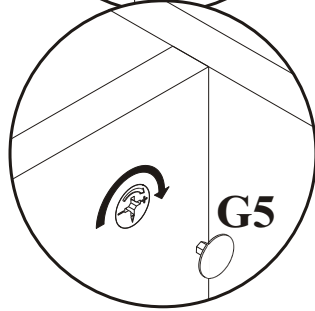
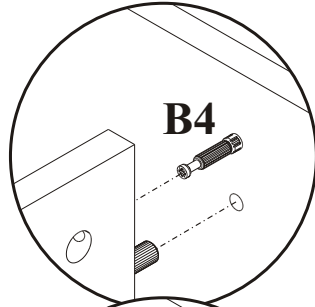
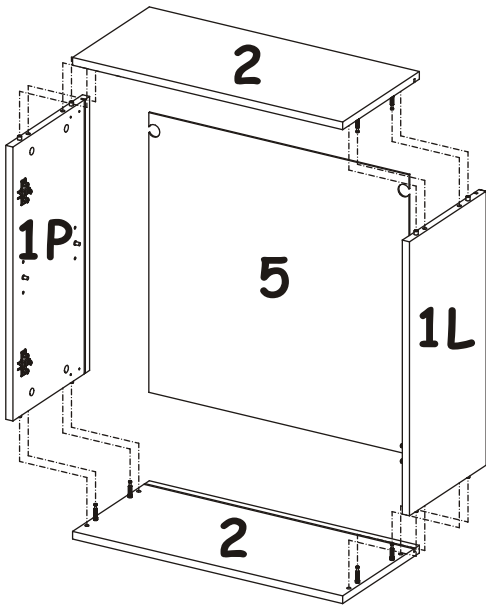
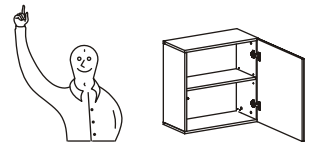
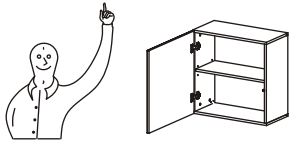


2

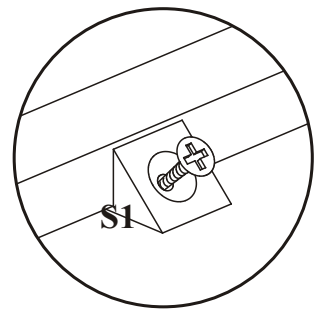
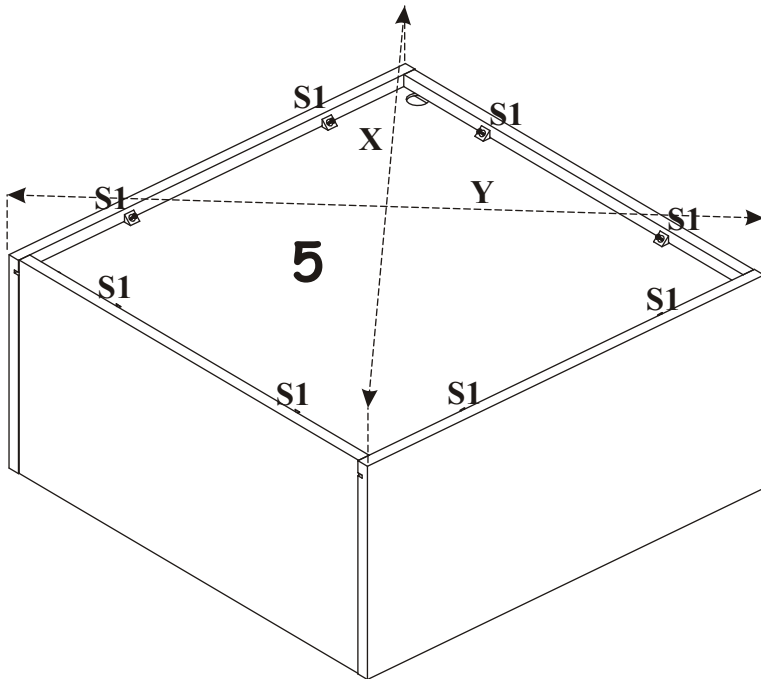


SWITCH - SW3

3



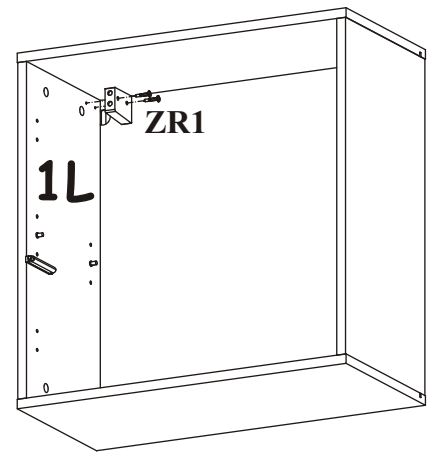
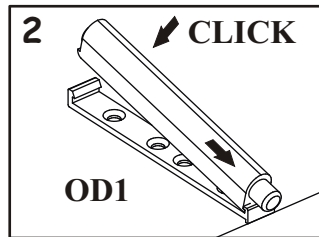
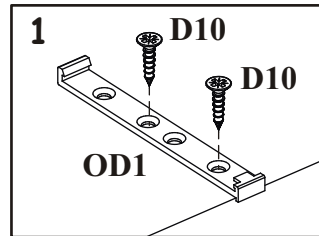
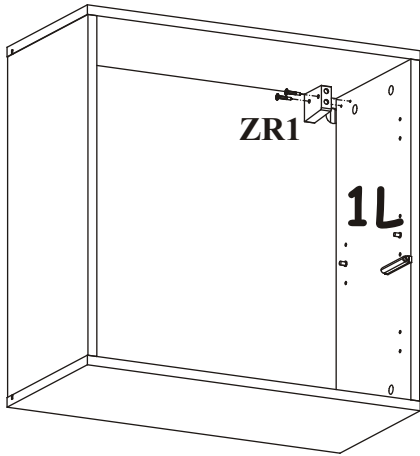
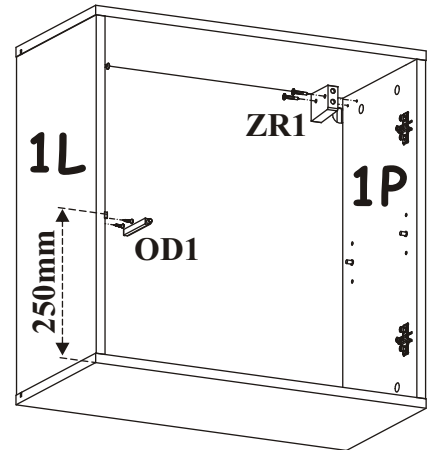
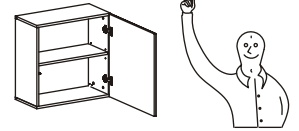
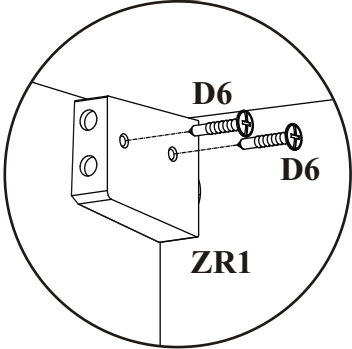
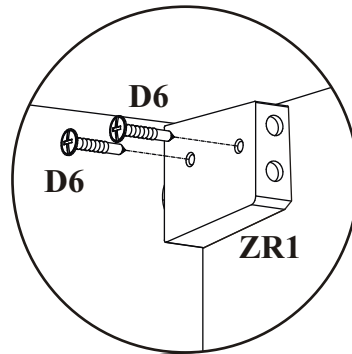
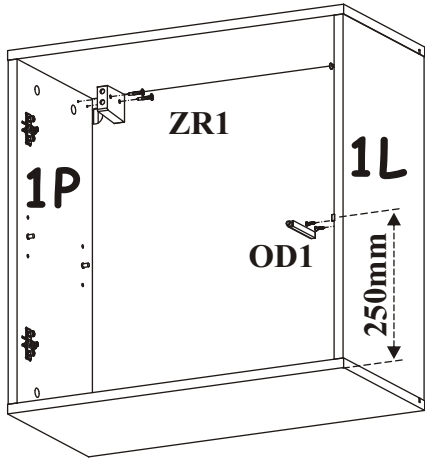
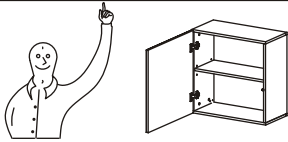
4



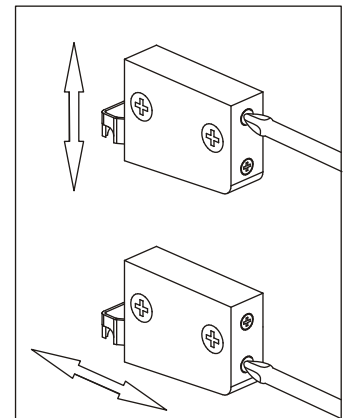
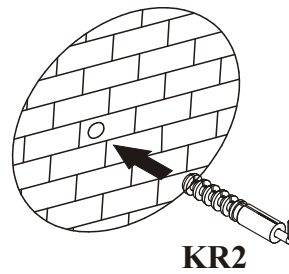
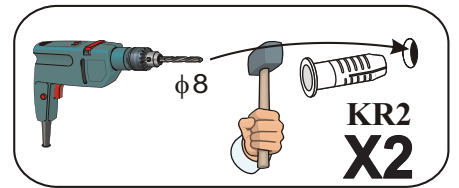
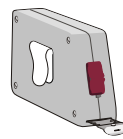
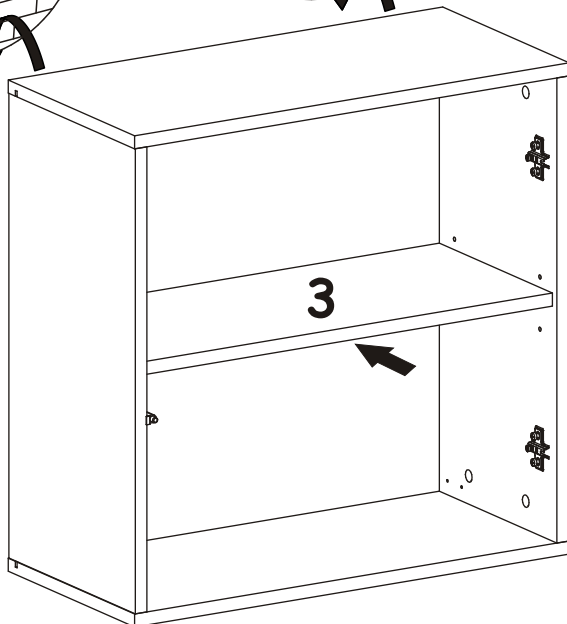
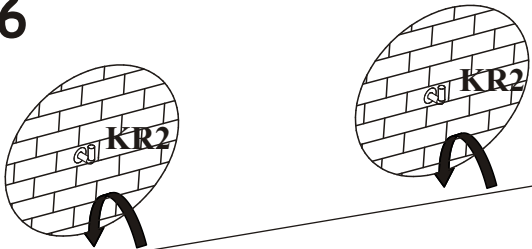
$X=Y$ \uparrow 90°

SWITCH - SW3

5



6



7

