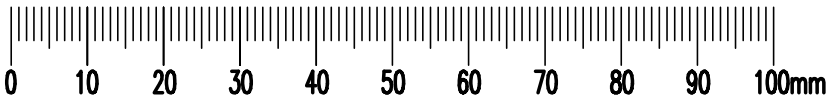
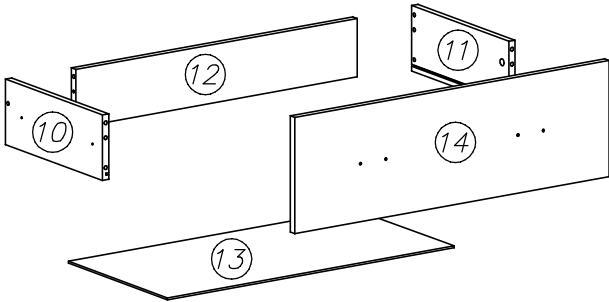
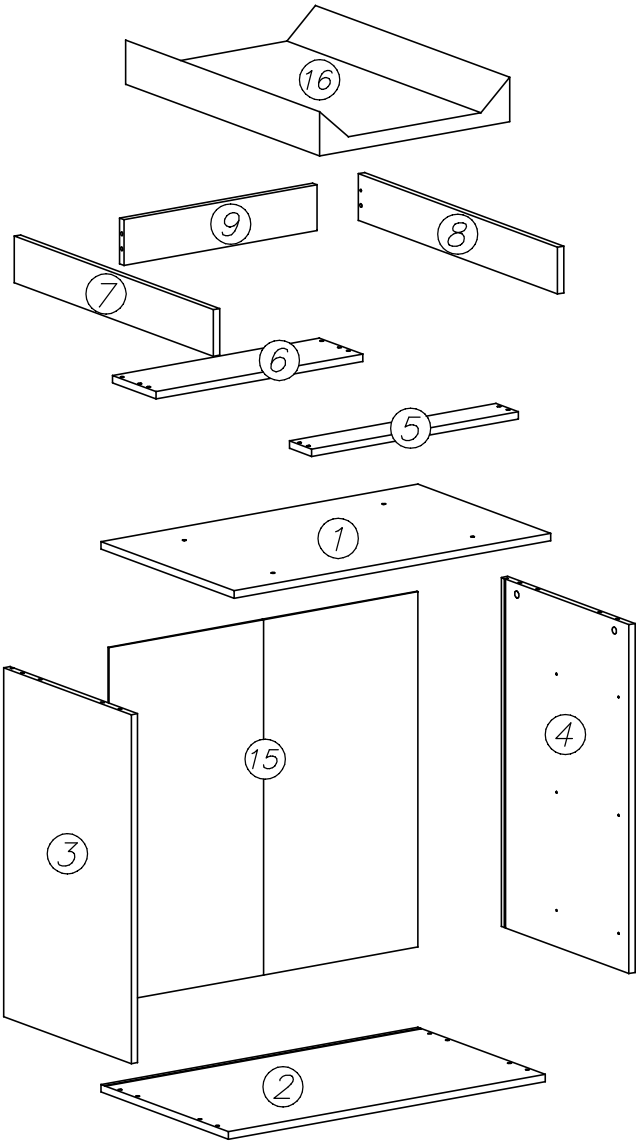
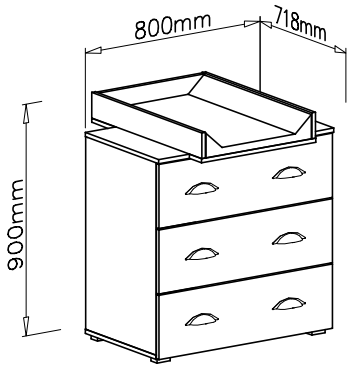
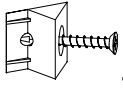

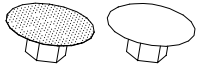
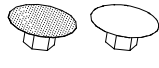

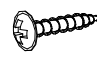



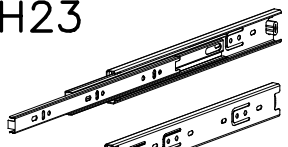
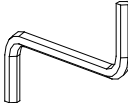


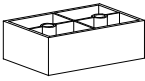
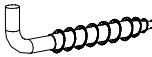
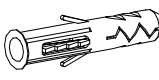
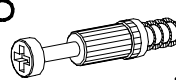

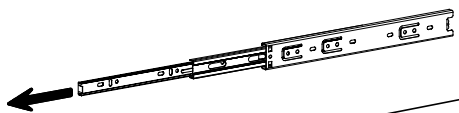


# MIA

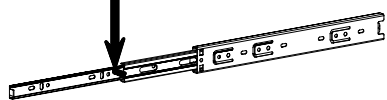


<b>I1</b>  20x	<b>M13</b>  L-350mm 3x	<b>I7</b>  ø16 12x	<b>I8</b>  ø12 18x	
<b>G34</b>  3,5x16 6x	<b>G22</b>  3x16 42x	<b>G16</b>  4x27 12x	<b>E14</b>  64mm 6x	<b>G39</b>  4x20 8x
<b>H23</b>  H30-350mm 3x	<b>W2</b>  1x	<b>B1</b>  ø8x30 40x	<b>A1</b>  ø7x50 18x	<b>P15</b>  4x
	<b>U7</b>  1x	<b>U8</b>  ø8x50 1x	<b>K5</b>  12x	<b>K1</b>  ø15x12 12x

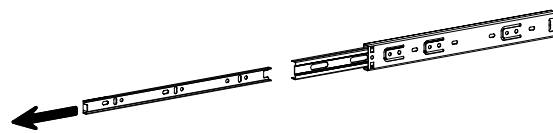
A



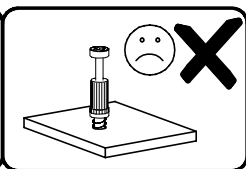
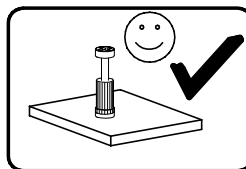
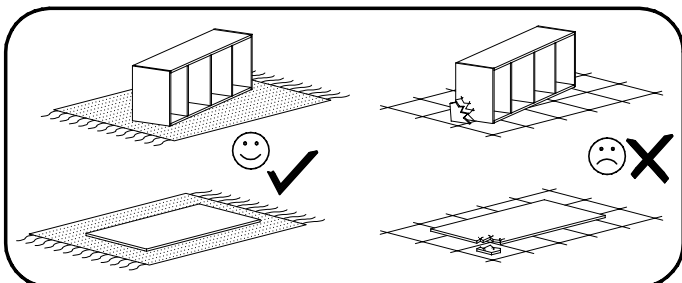
B



C



1



B1

∅8x30

8x



K1

∅15x12

2x



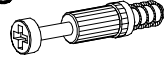
P15

4x



K5

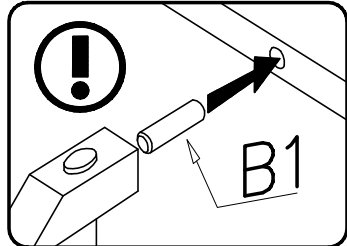
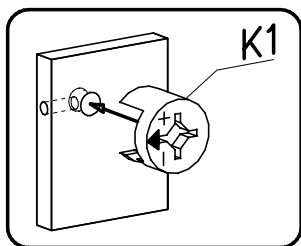
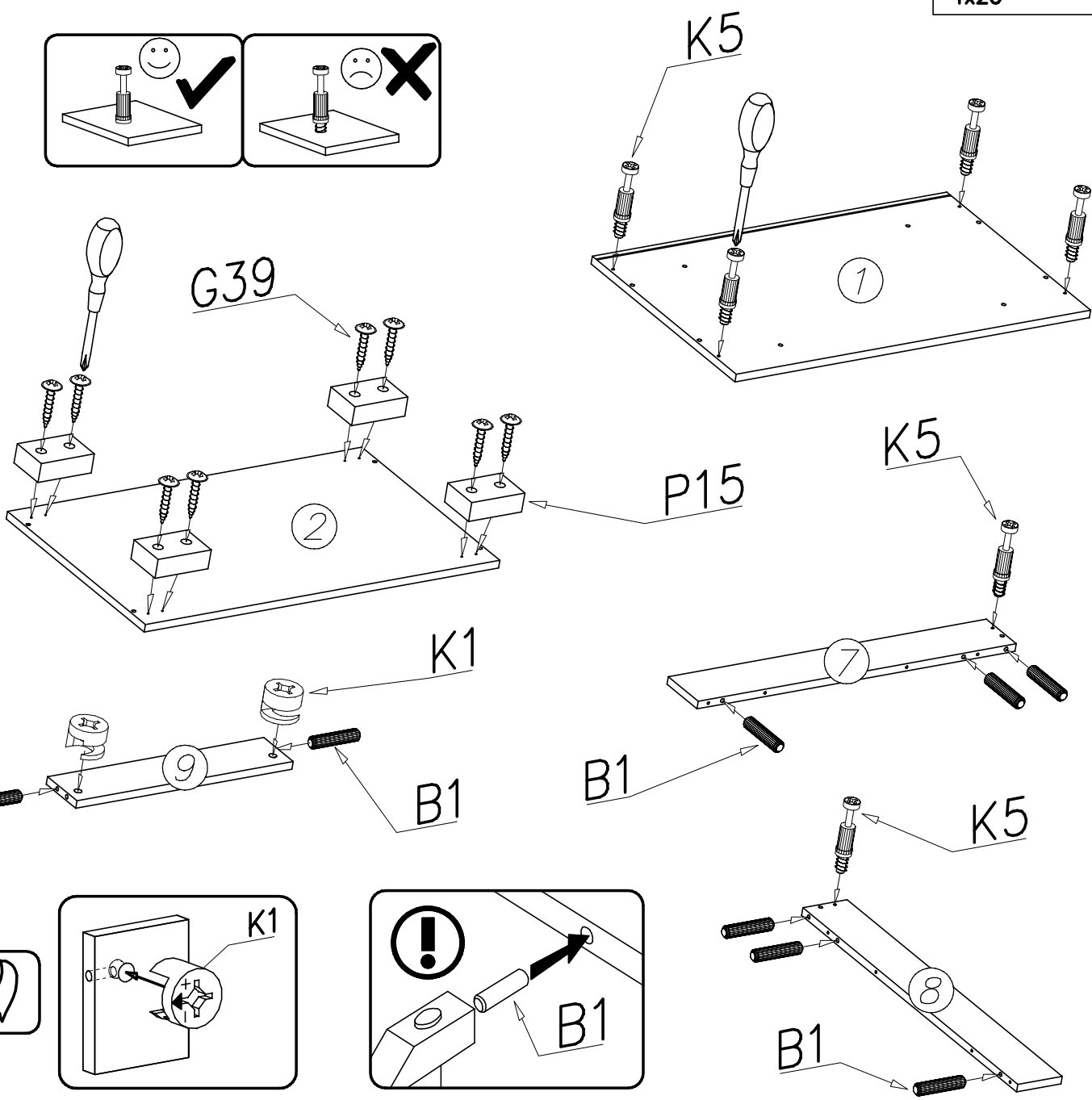
6x



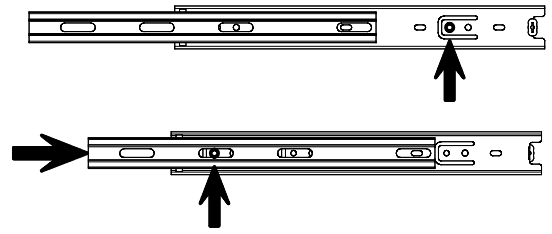
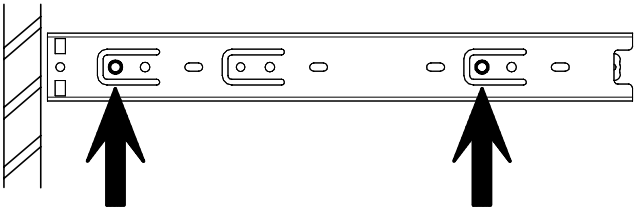
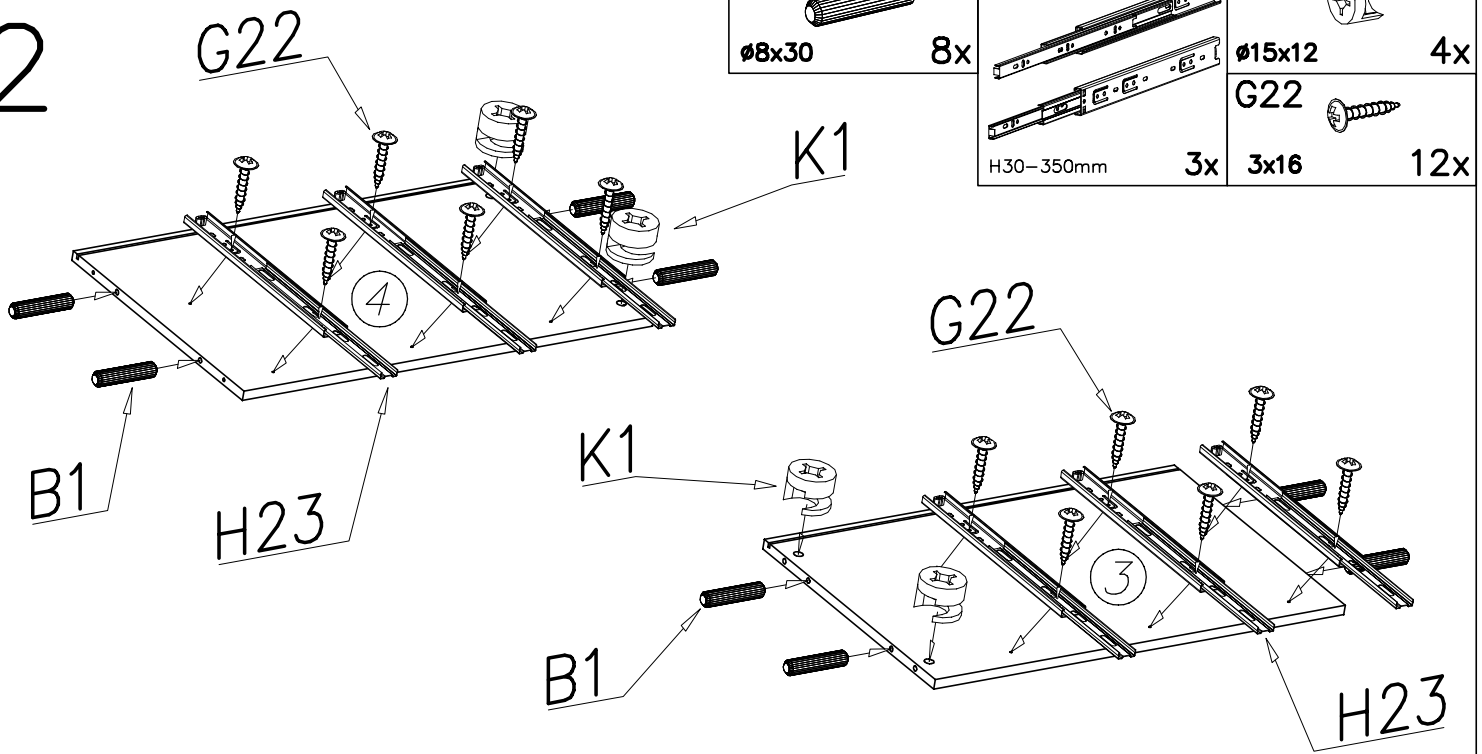
G39

4x20

8x

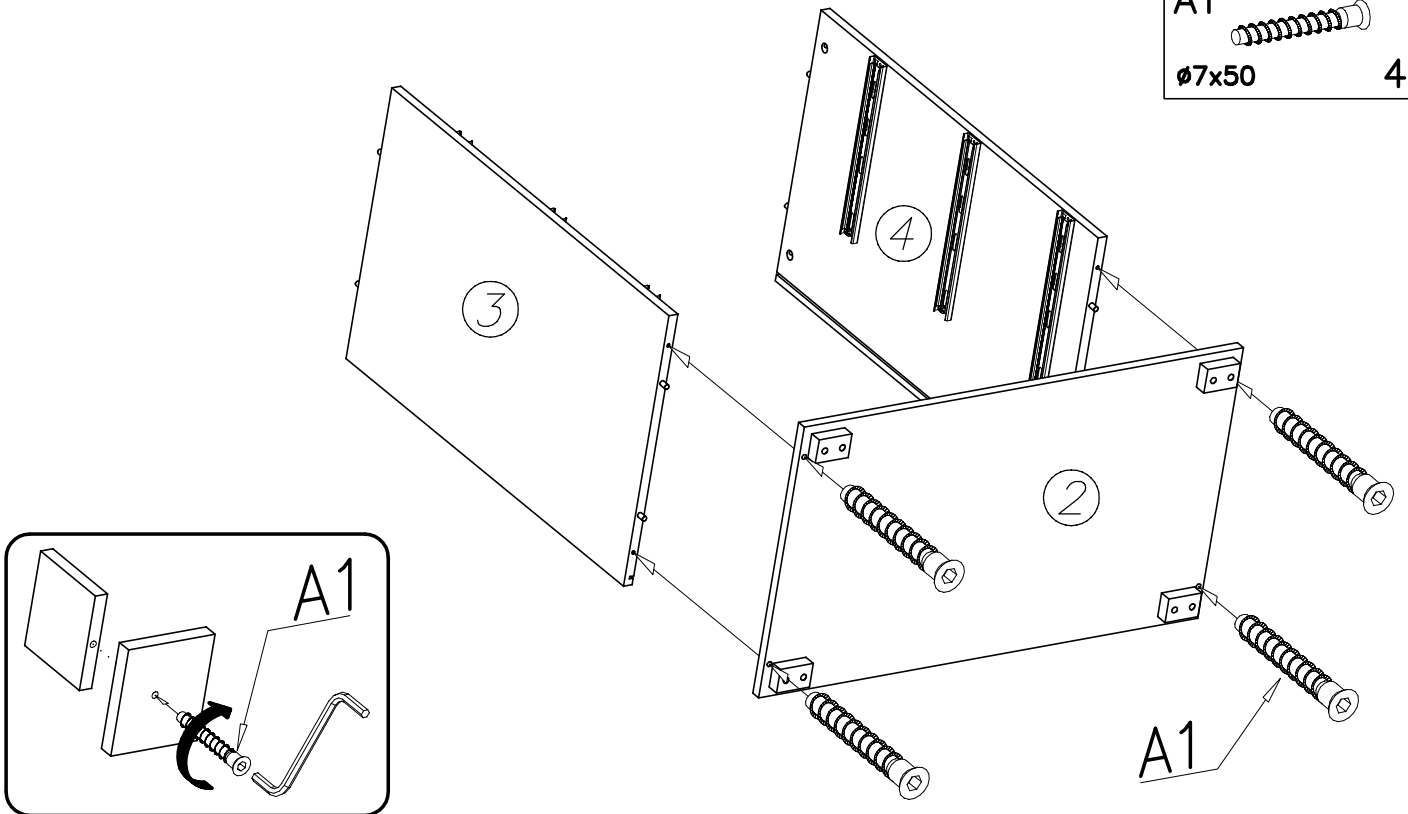


# 2

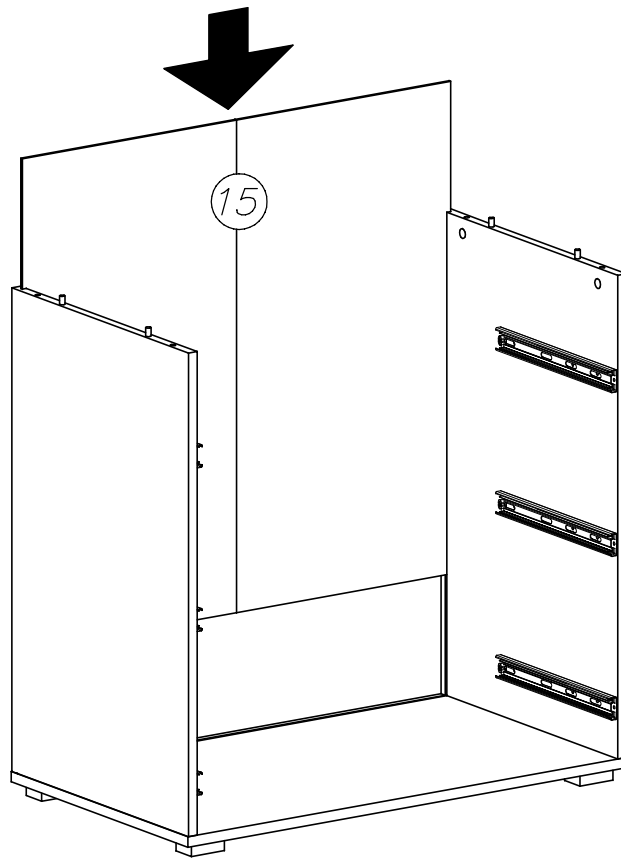


# 3

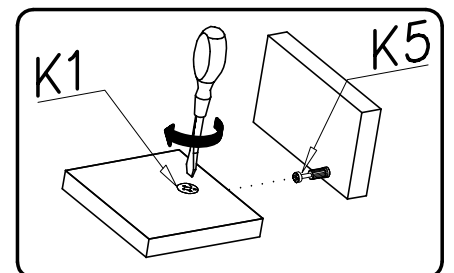
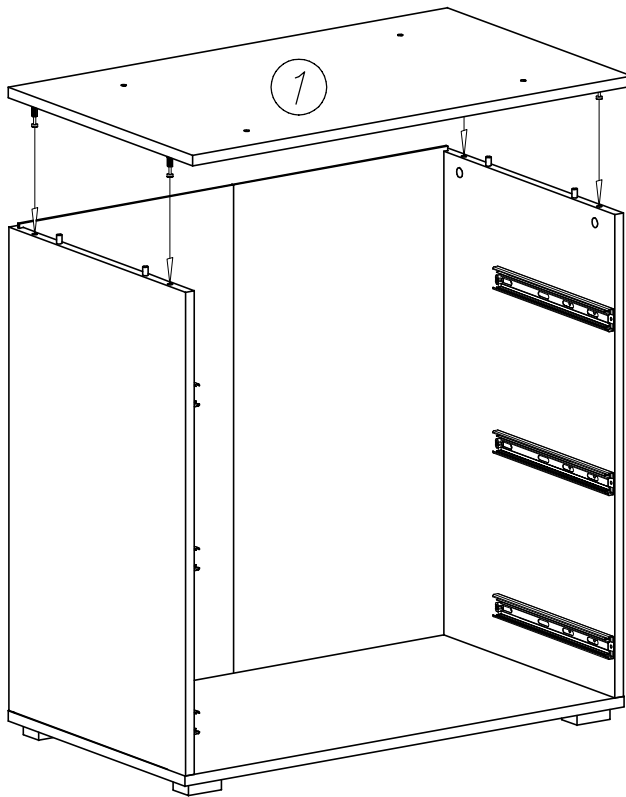
<b>W2</b>	1x
<b>A1</b> Ø7x50 4x	



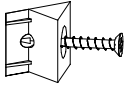
4

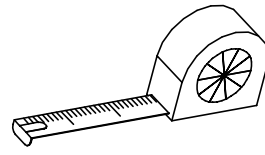
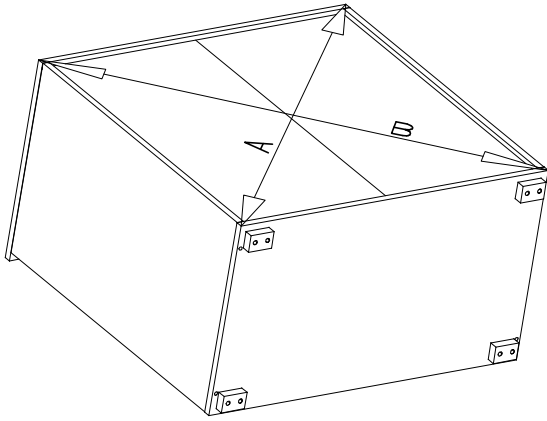


5

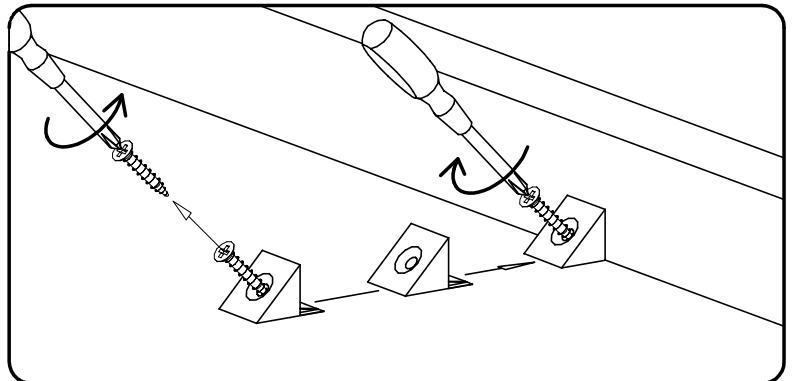
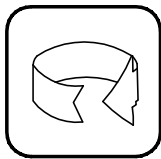
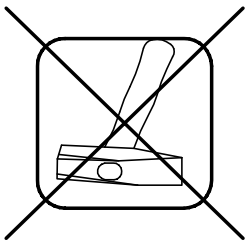
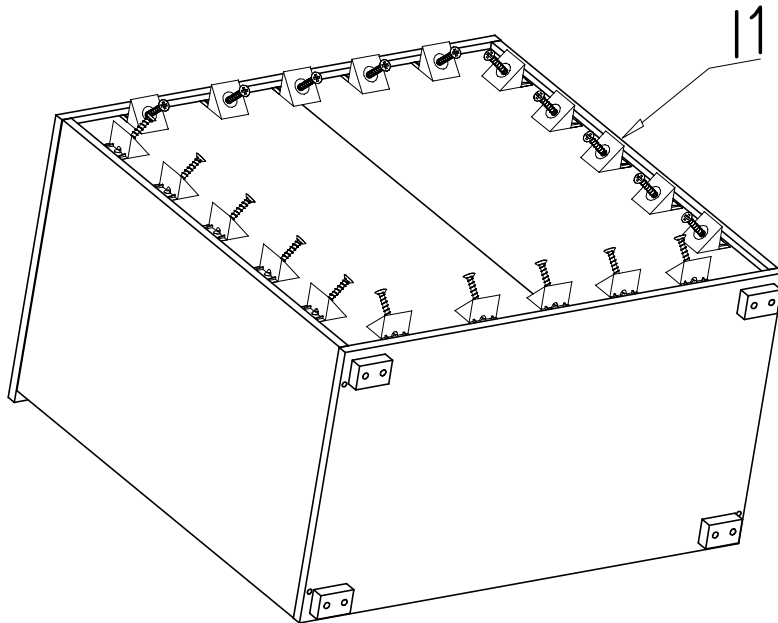


6

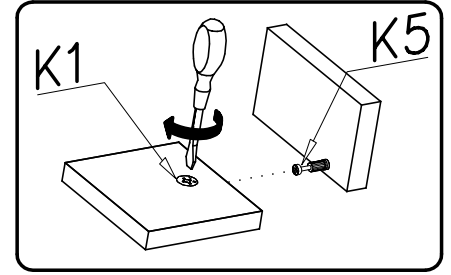
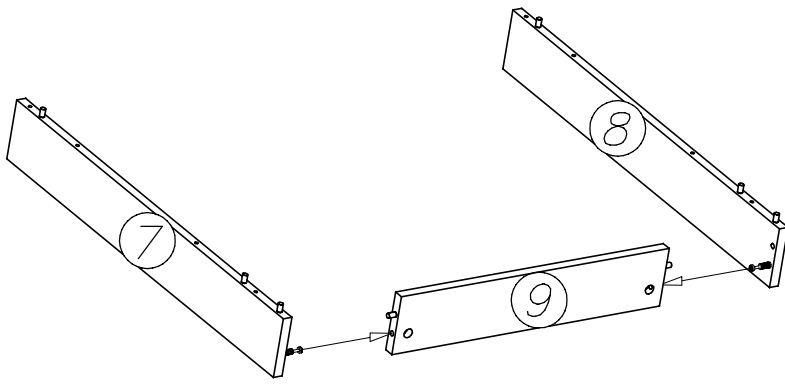
11  20x



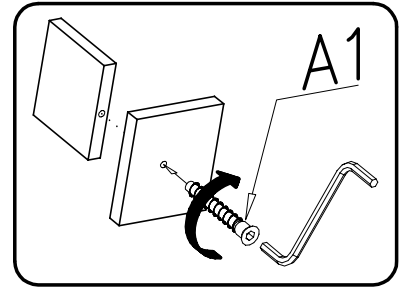
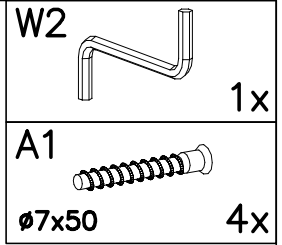
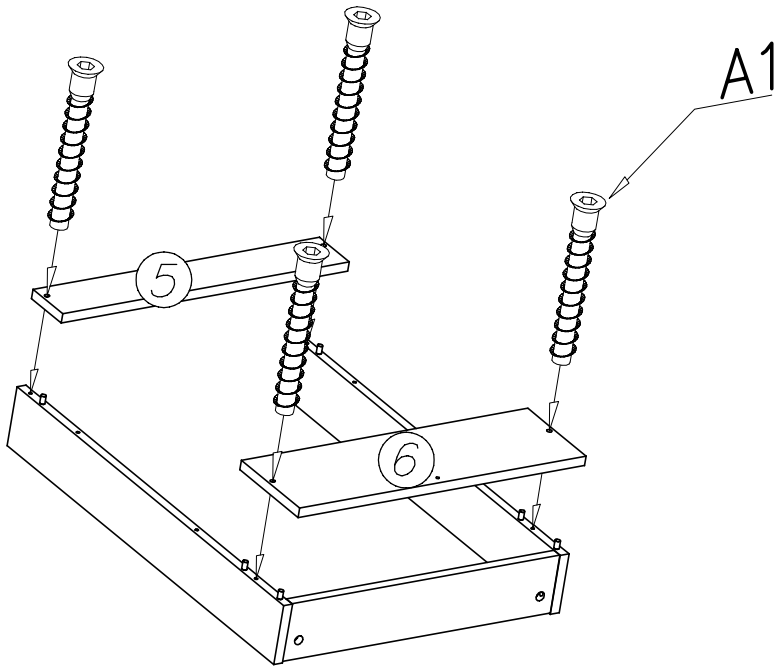
$A=B$



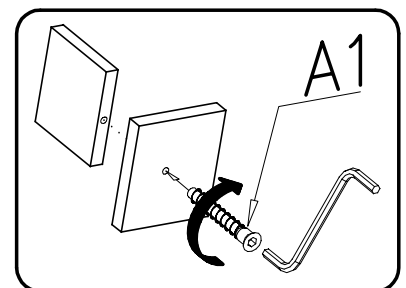
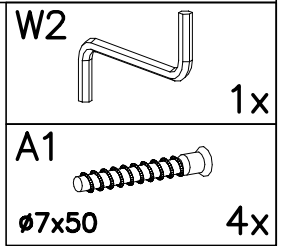
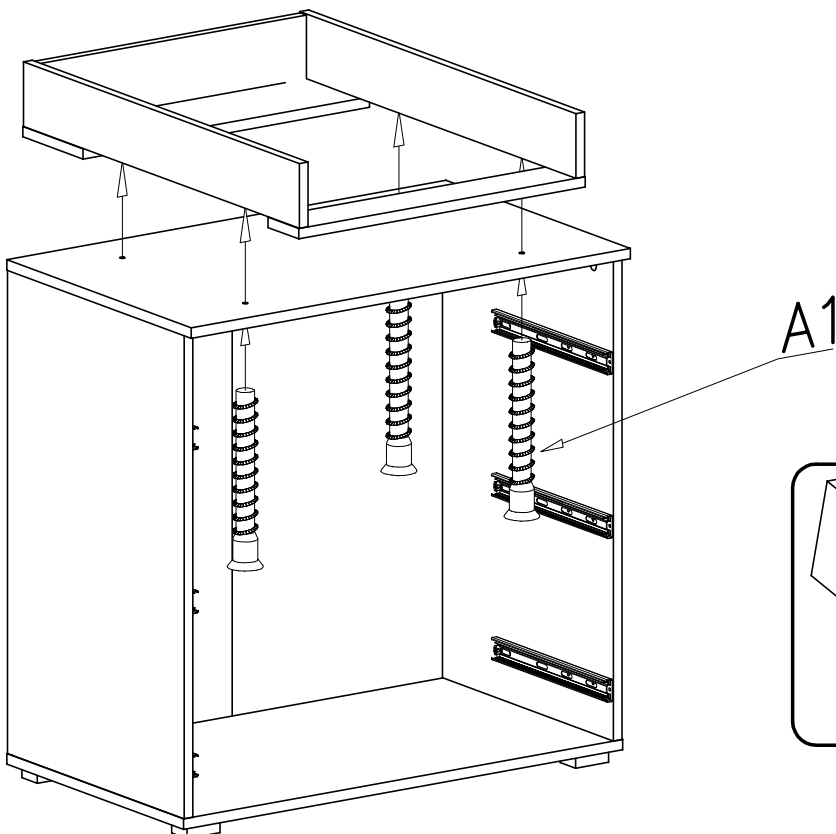
7



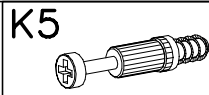
8



9



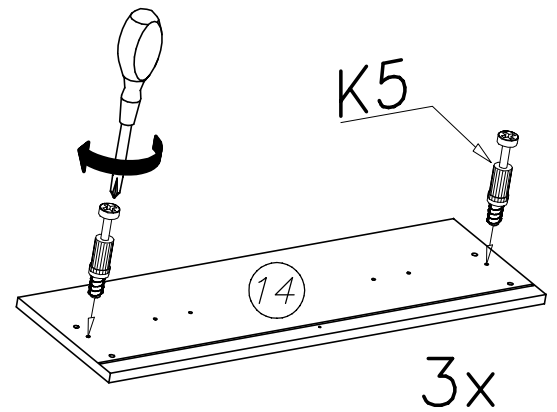
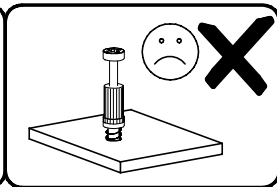
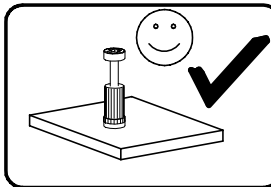
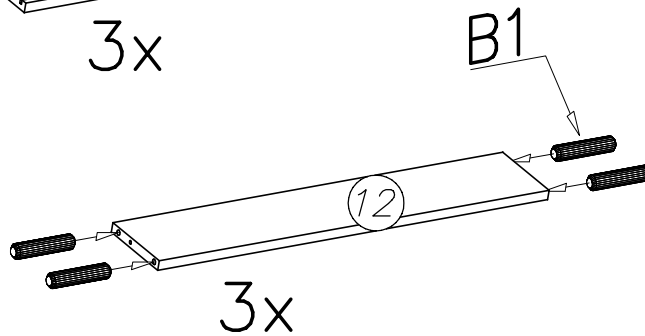
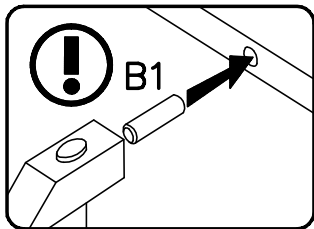
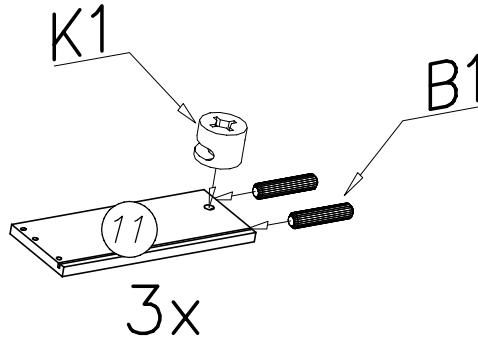
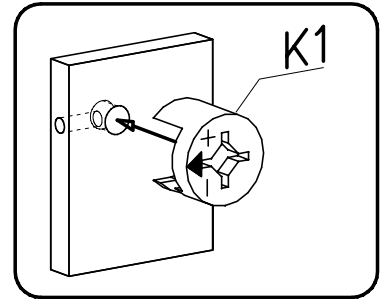
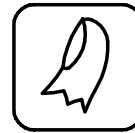
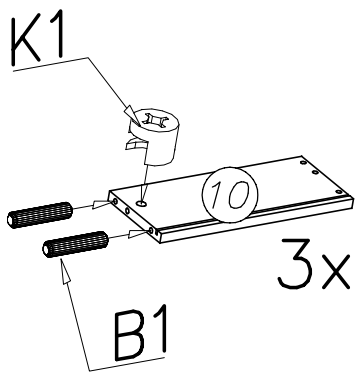
# 10



6x  $\phi 15 \times 12$

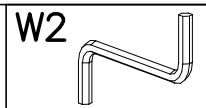
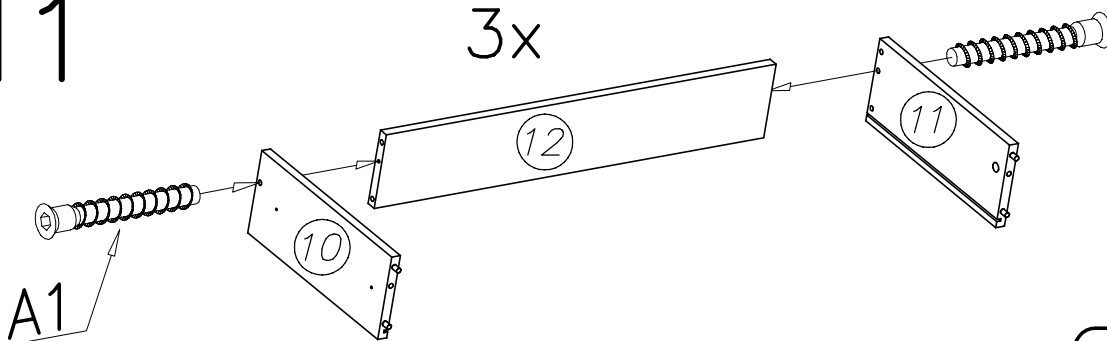


6x  $\phi 8 \times 30$  24x

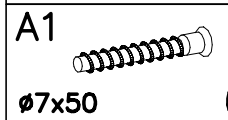


# 11

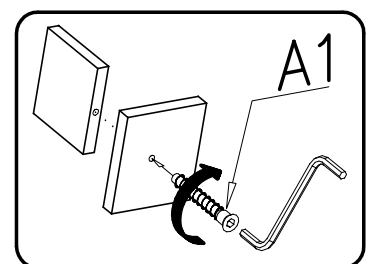
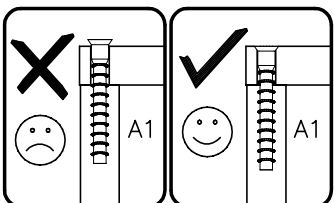
3x



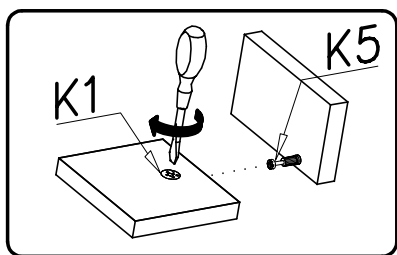
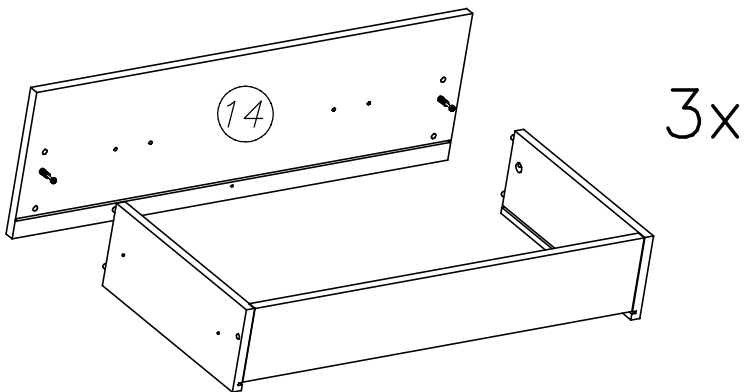
1x



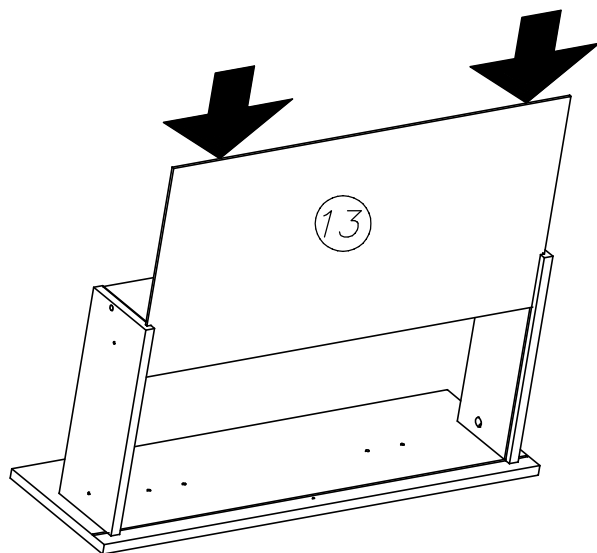
6x




12




3x

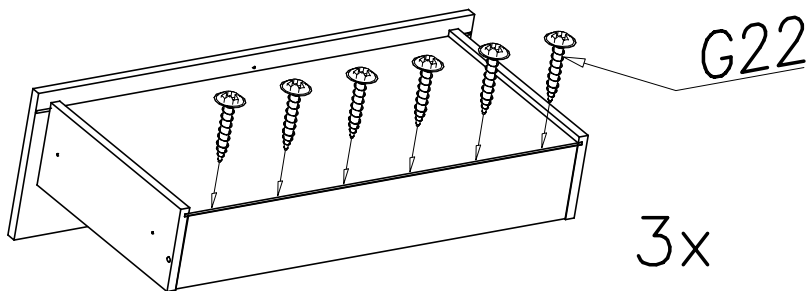
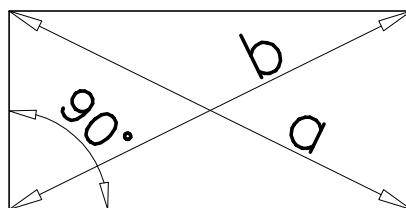
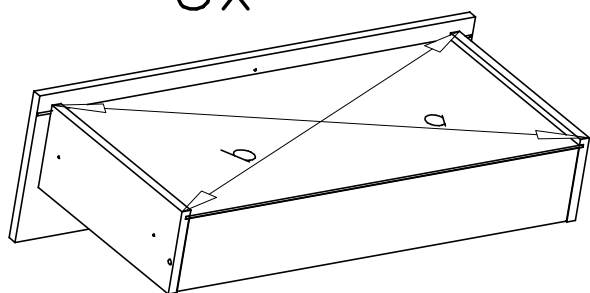


13

G22   
 3x16 18x

$a=b$  

3x

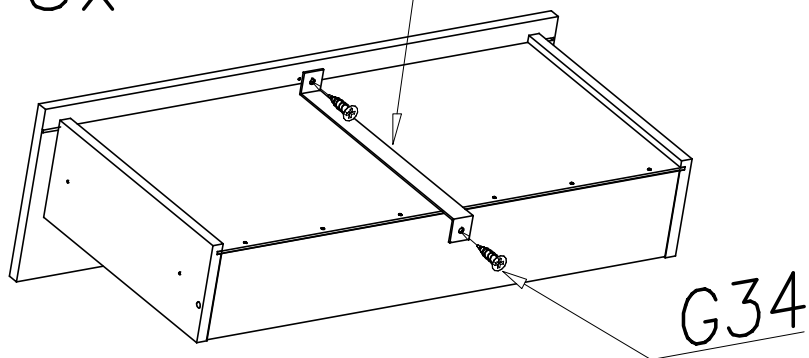






14

3x

M13



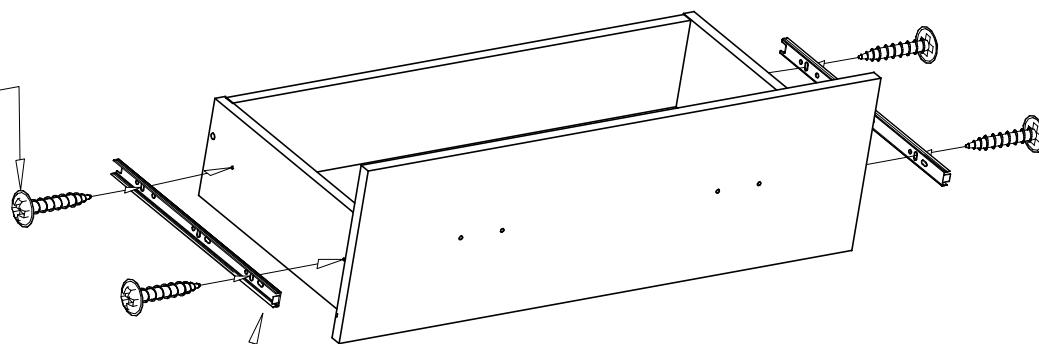
G34	
3,5x16	6x
M13	
L-350mm	3x

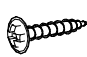
15

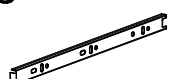
3x

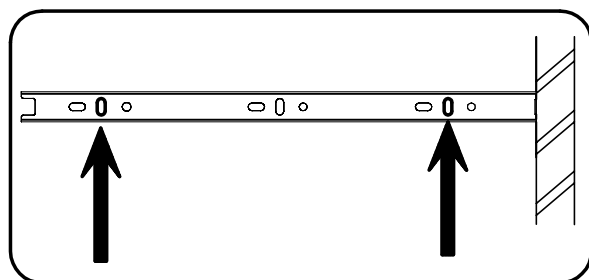
G22

H23

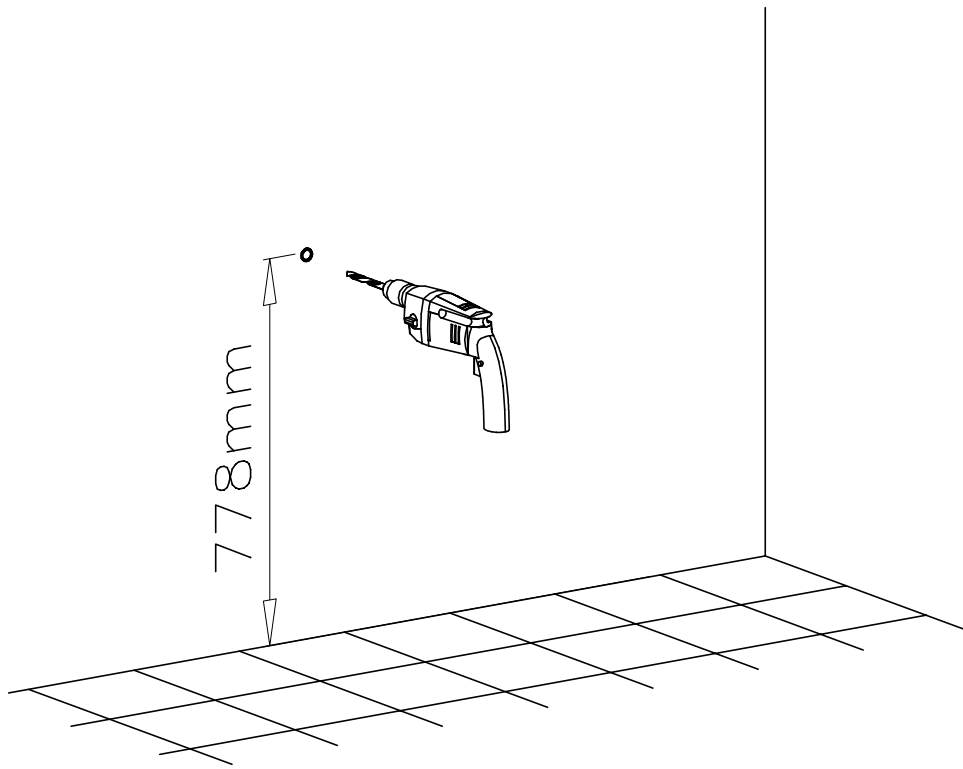


G22	
3x16	12x

H23	
H30-350mm	3x

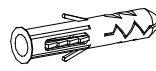


# 16



# 17

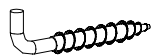
U8



∅8x50

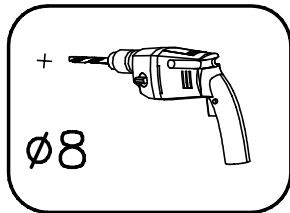
1x

U7

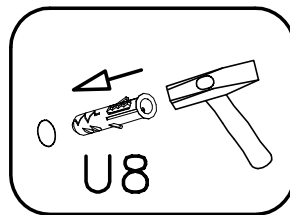


1x

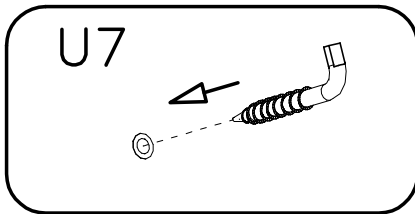
1



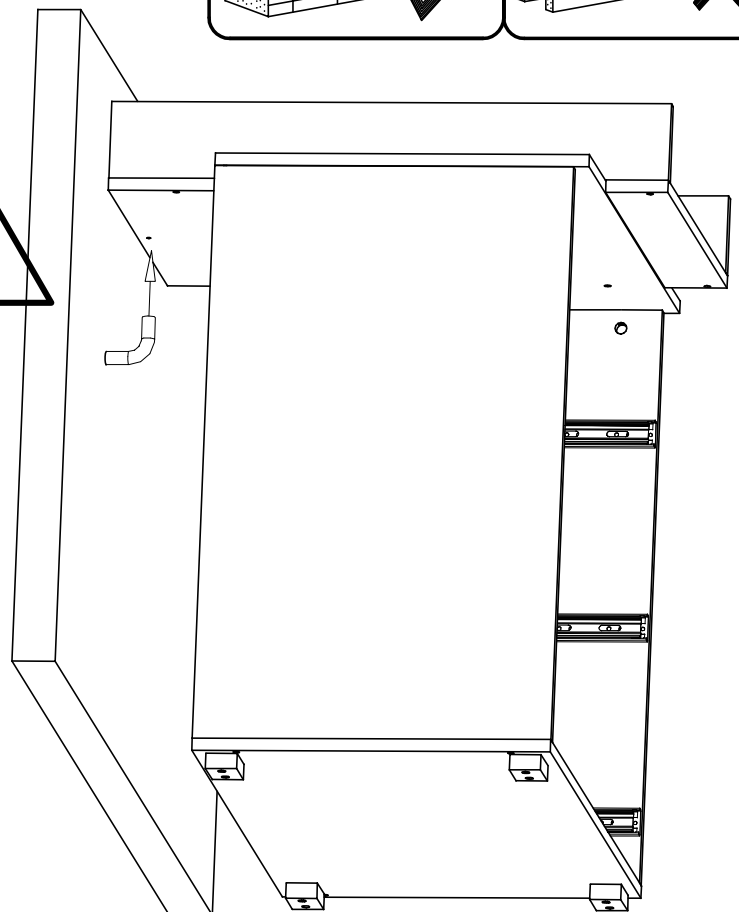
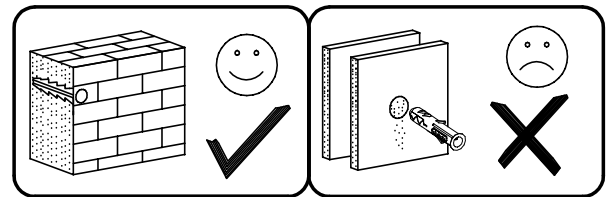
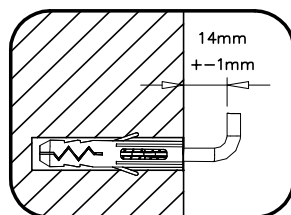
2



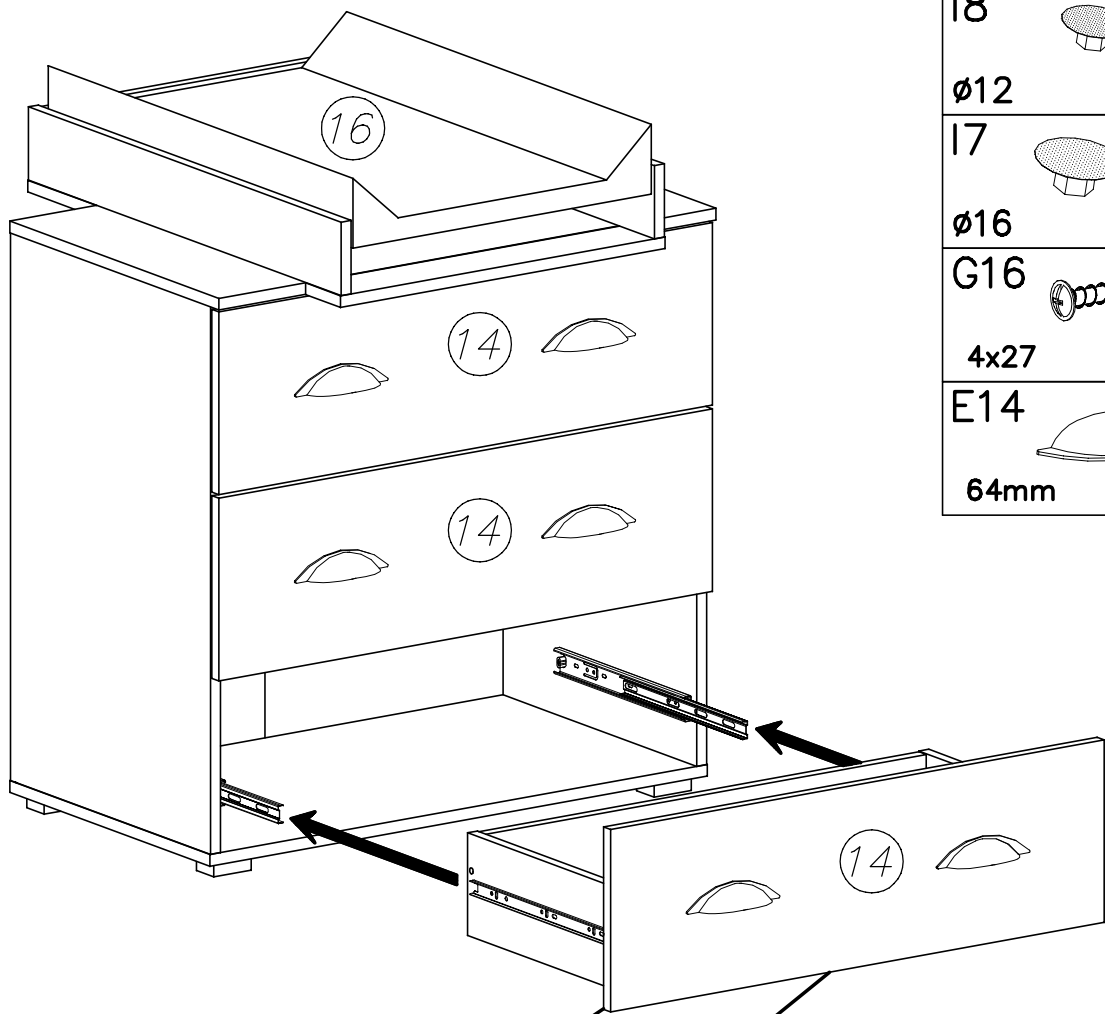
3



4



# 18



18		18x
ø12		
17		12x
ø16		
G16		12x
4x27		
E14		6x
64mm		

