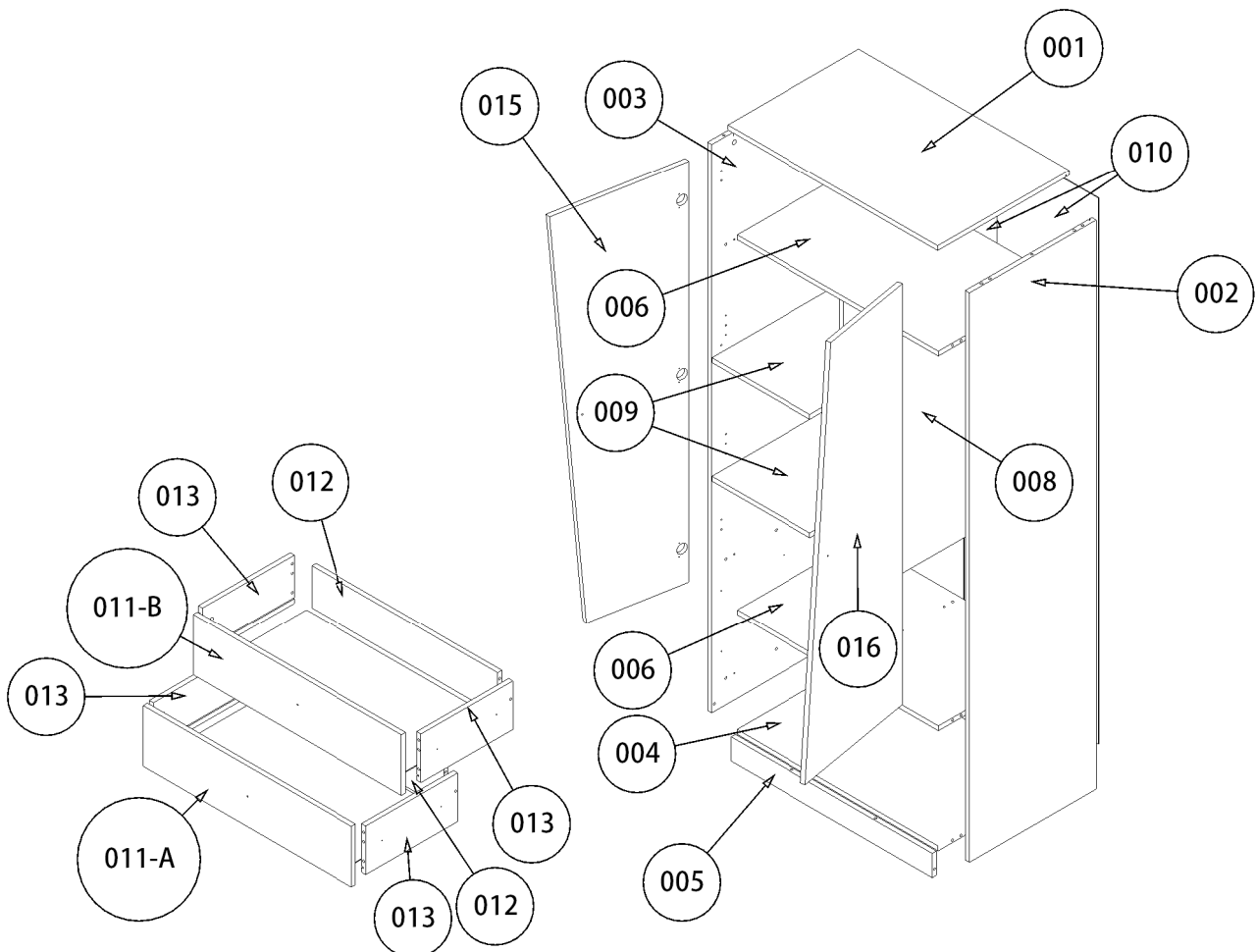
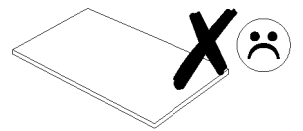
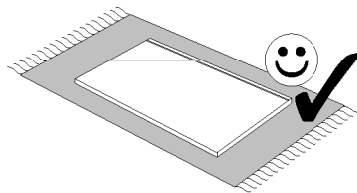
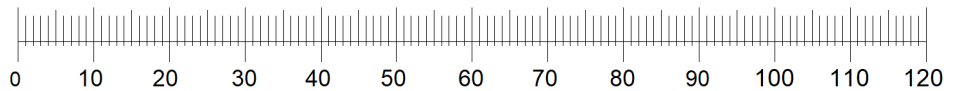
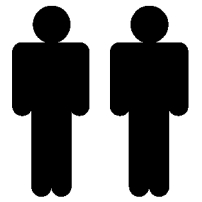
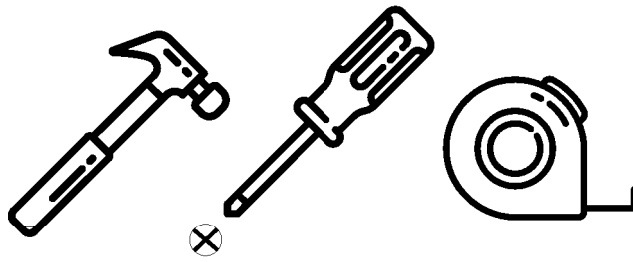
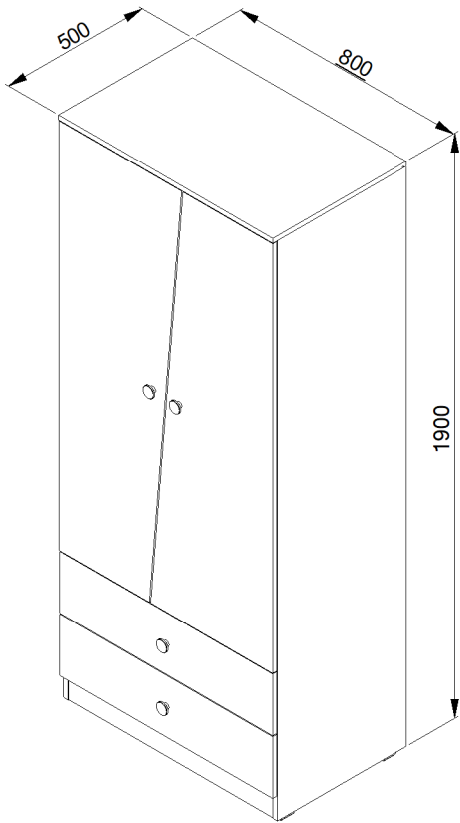
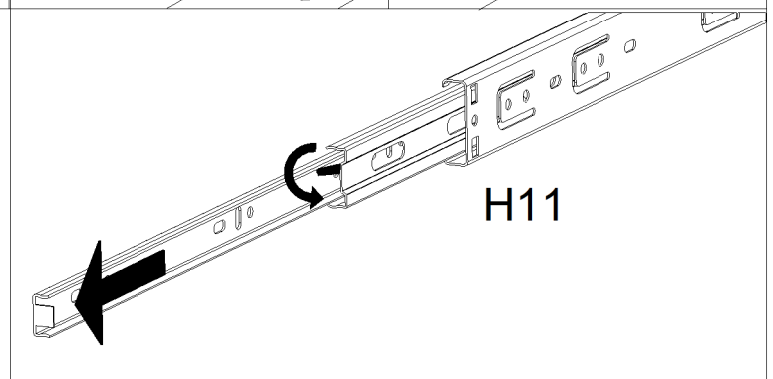
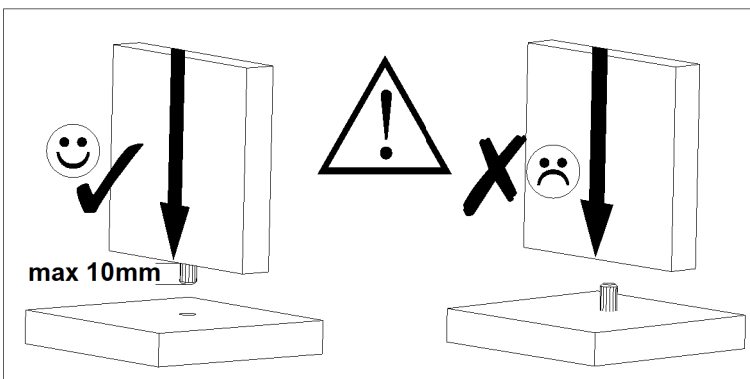
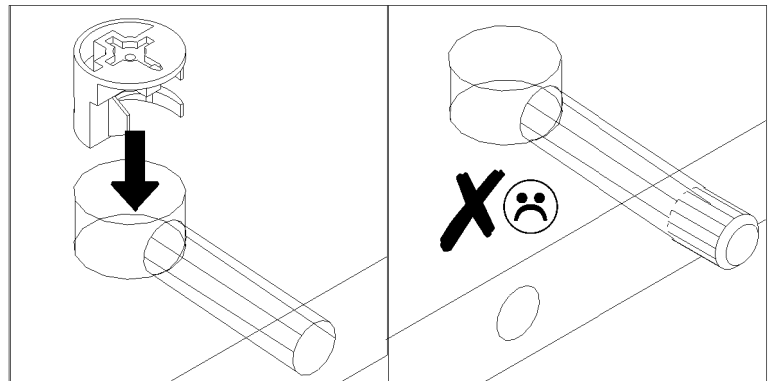
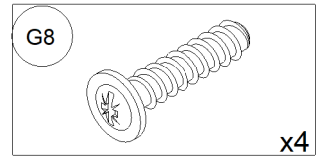
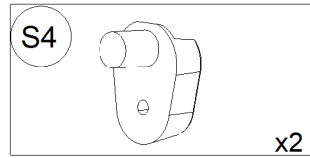
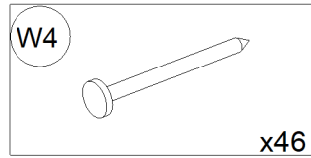
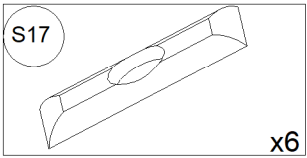
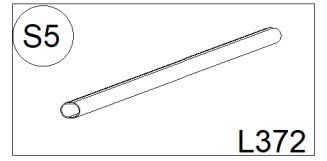
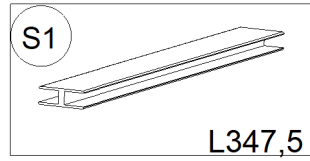
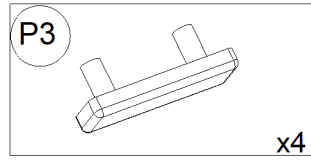
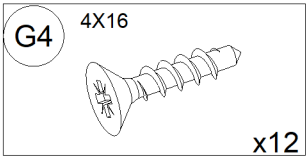
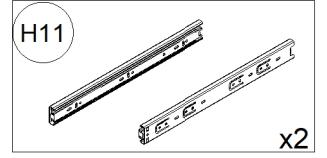
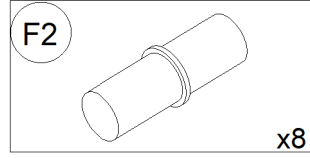
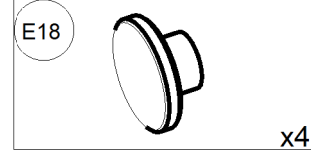
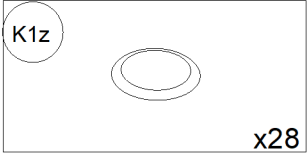
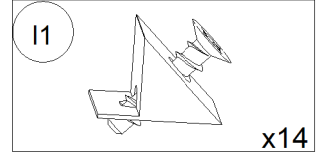
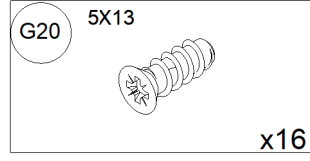
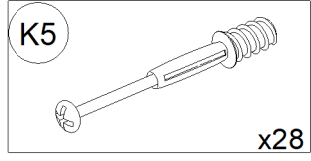
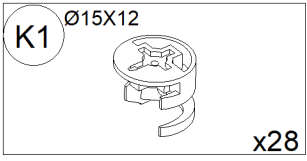
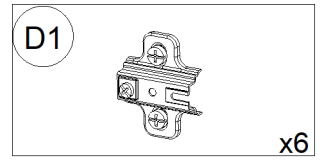
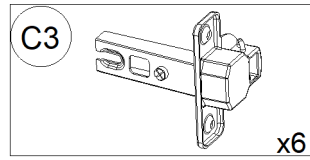
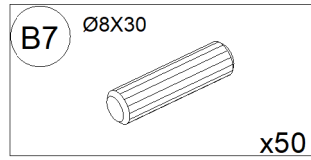
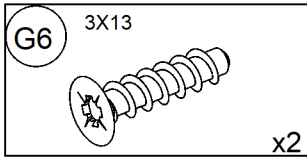


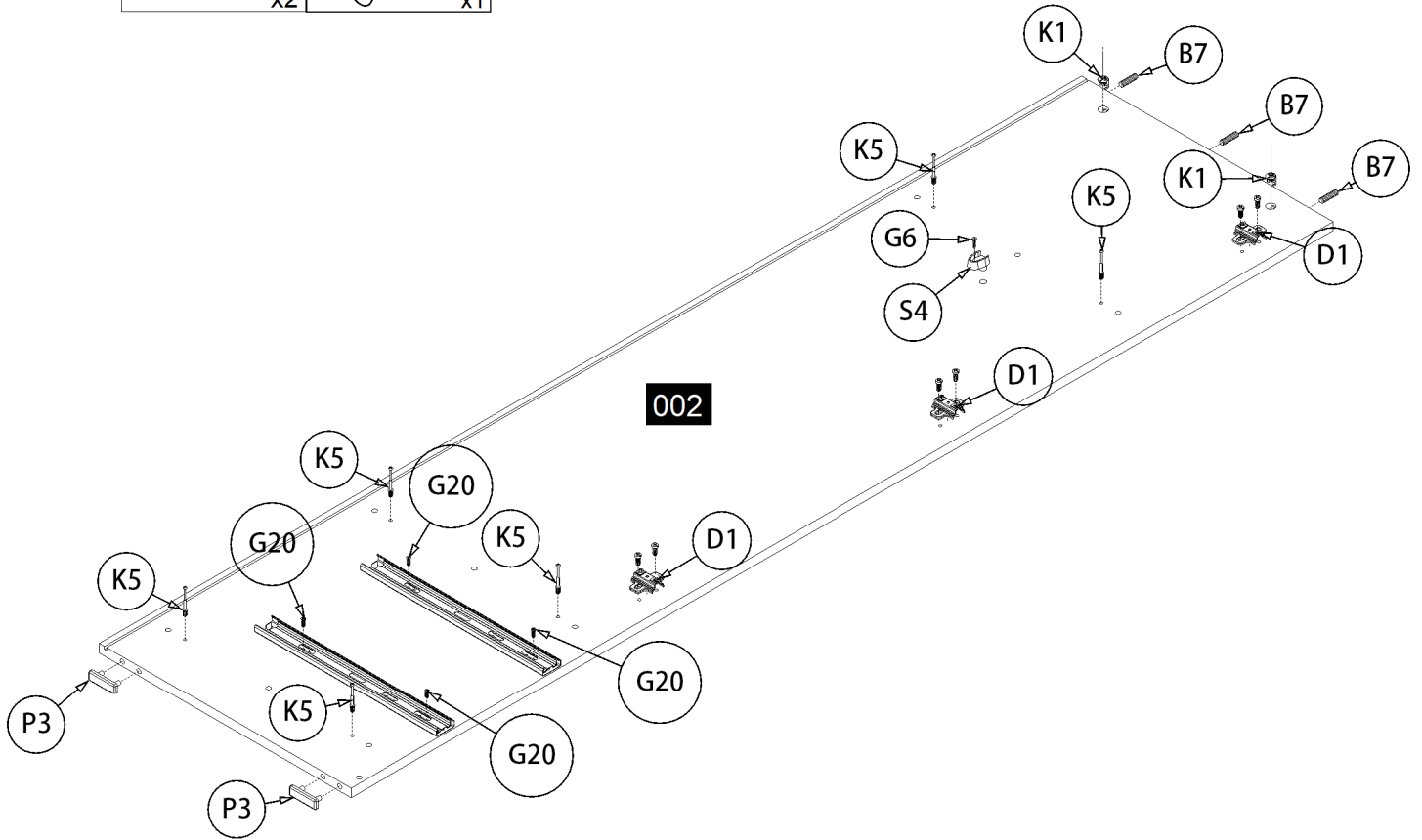
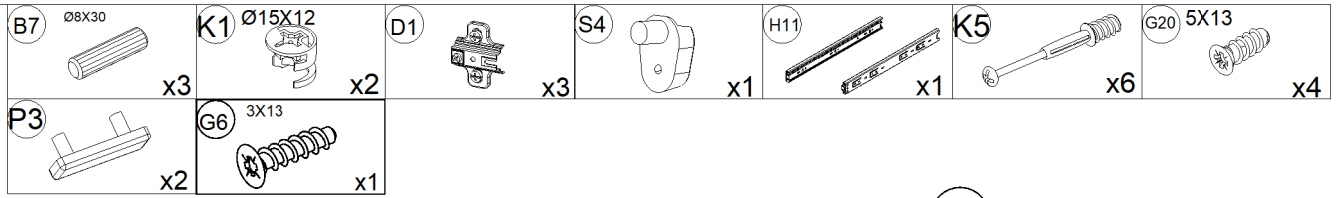
NERO 01

SZAFA 80

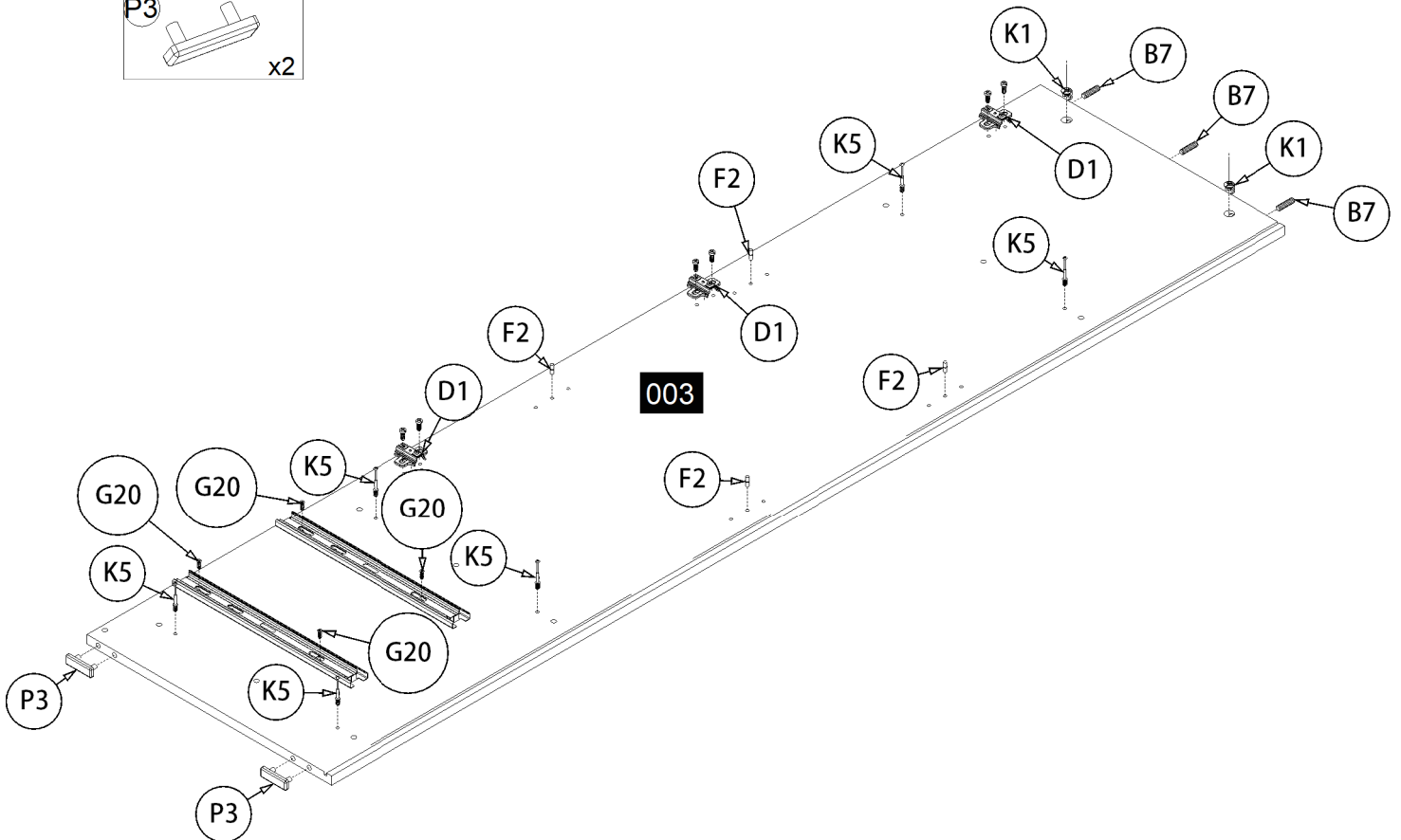
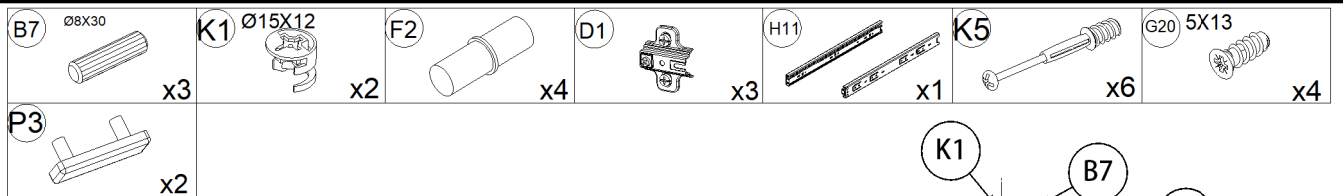




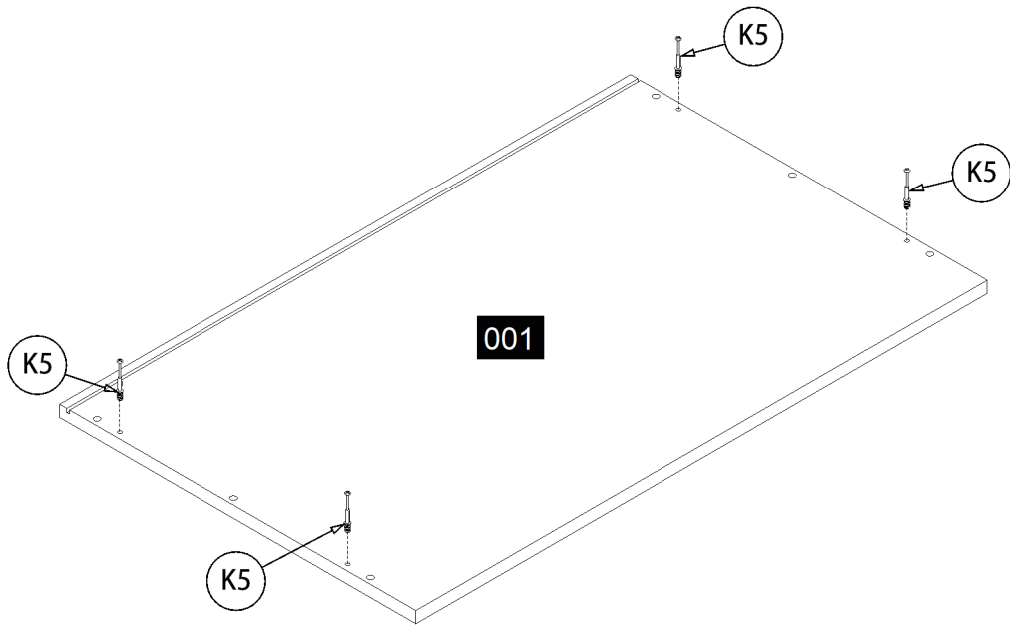
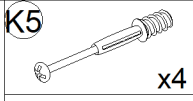
01



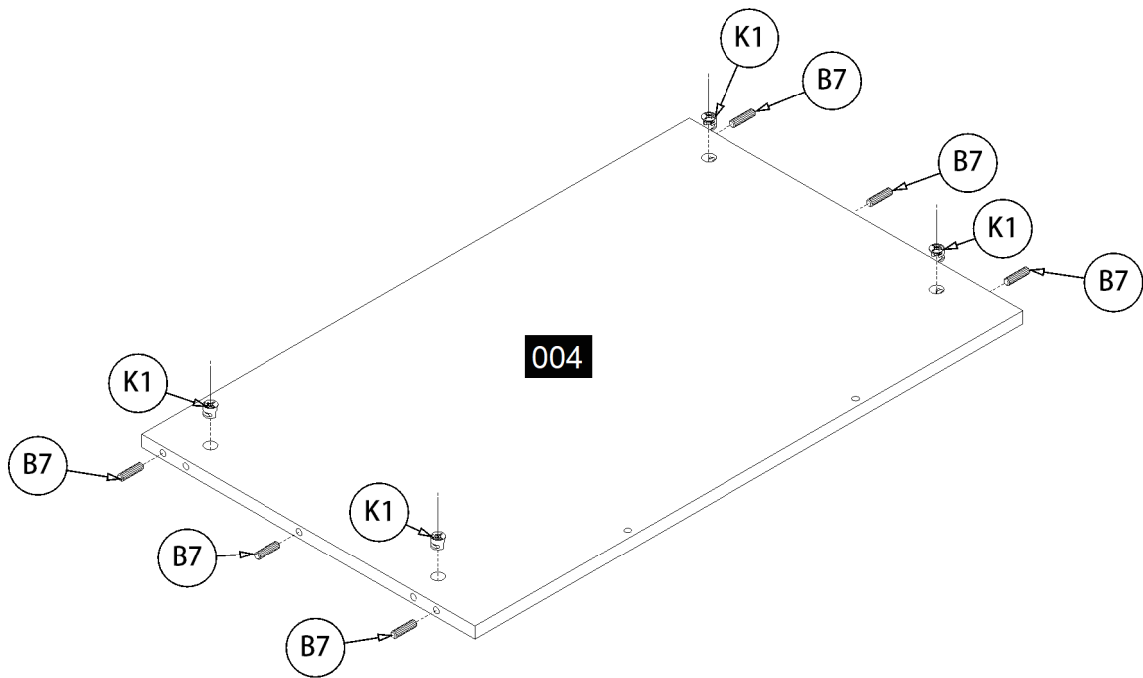
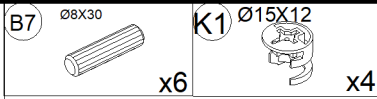
02



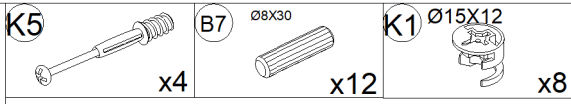
03



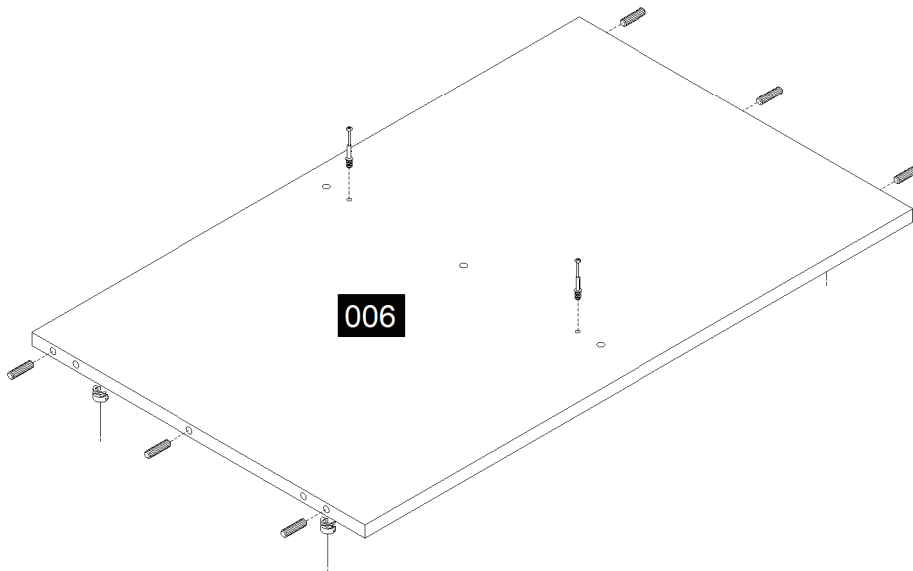
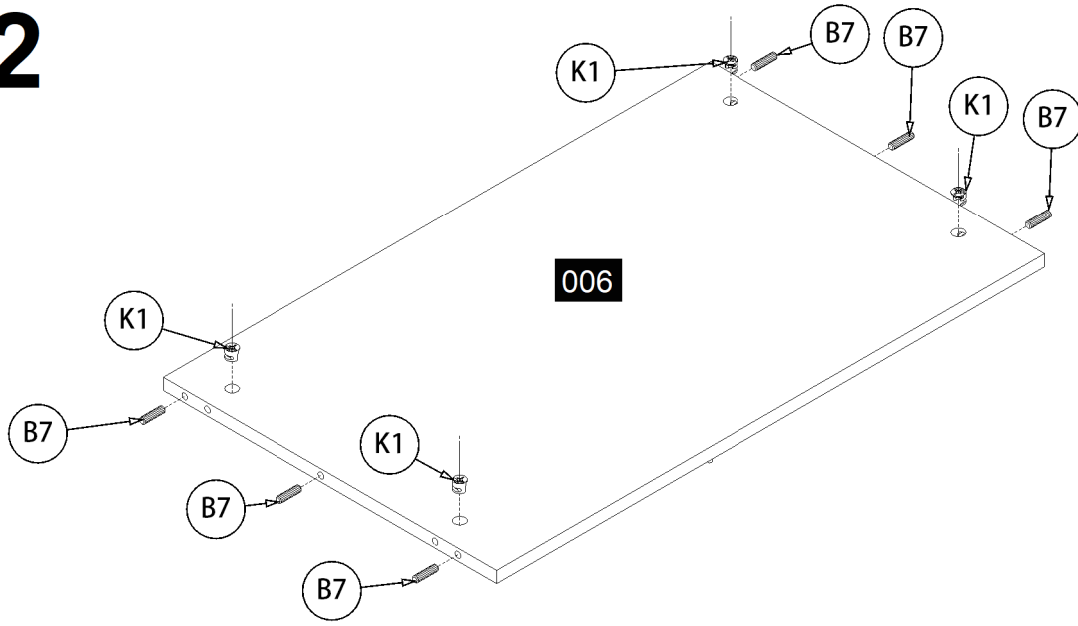
04



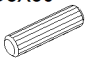




05

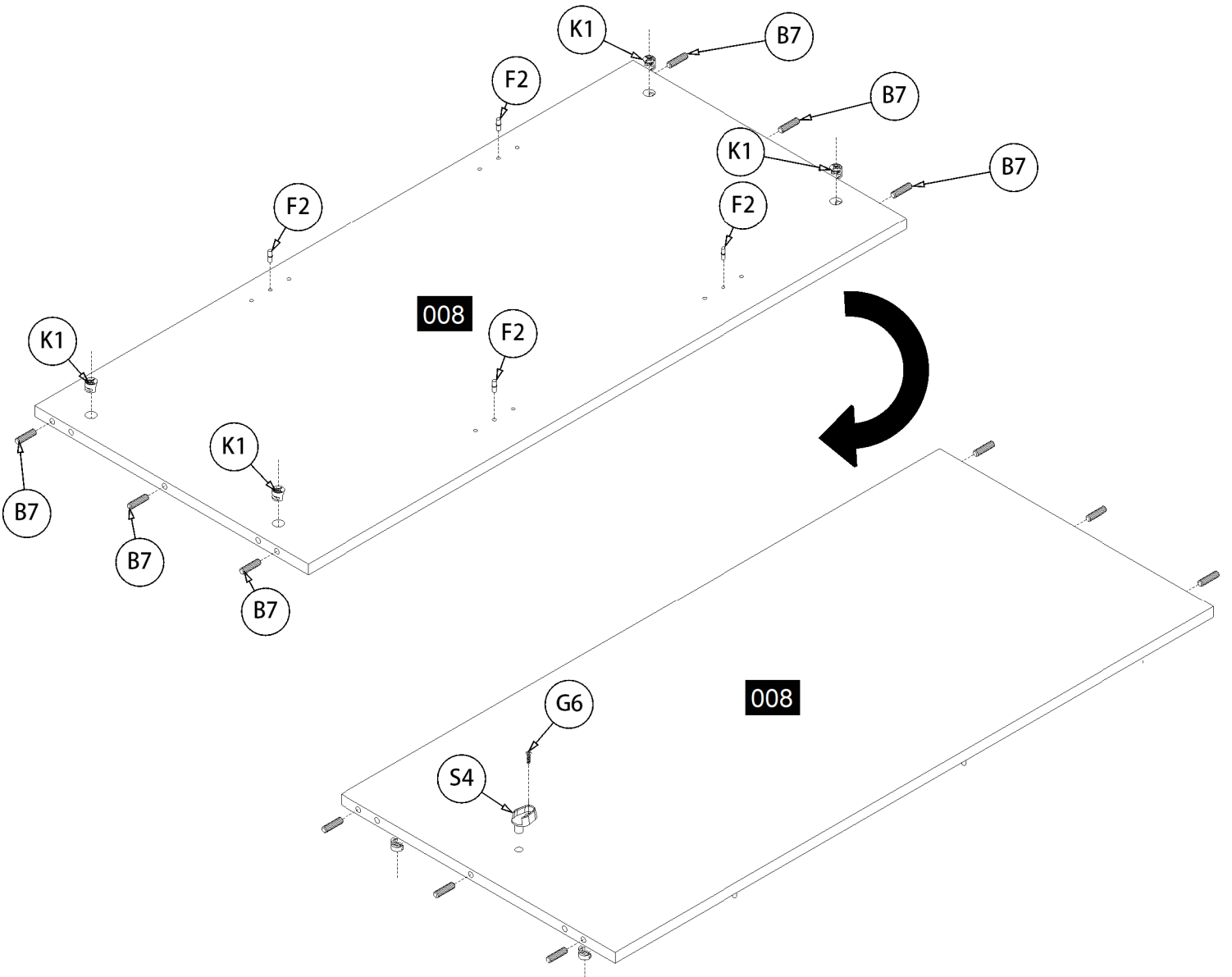


x2

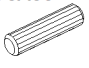


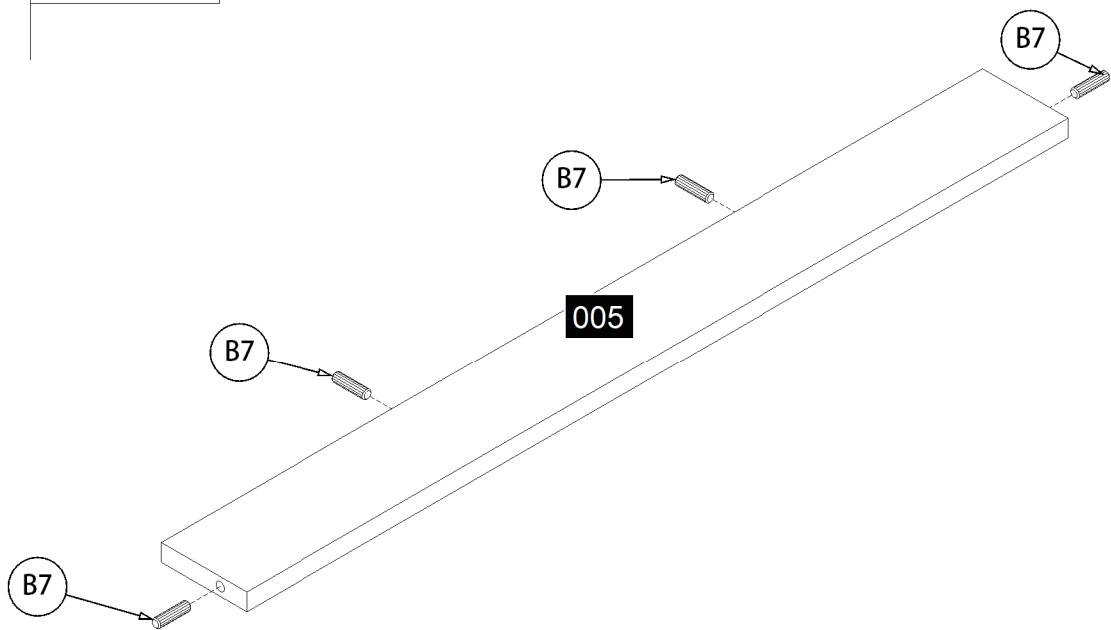
06

B7 $\varnothing 8 \times 30$  x6	K1 $\varnothing 15 \times 12$  x4	F2  x4	S4  x1	G6 3x13  x1
--	---	--	--	--

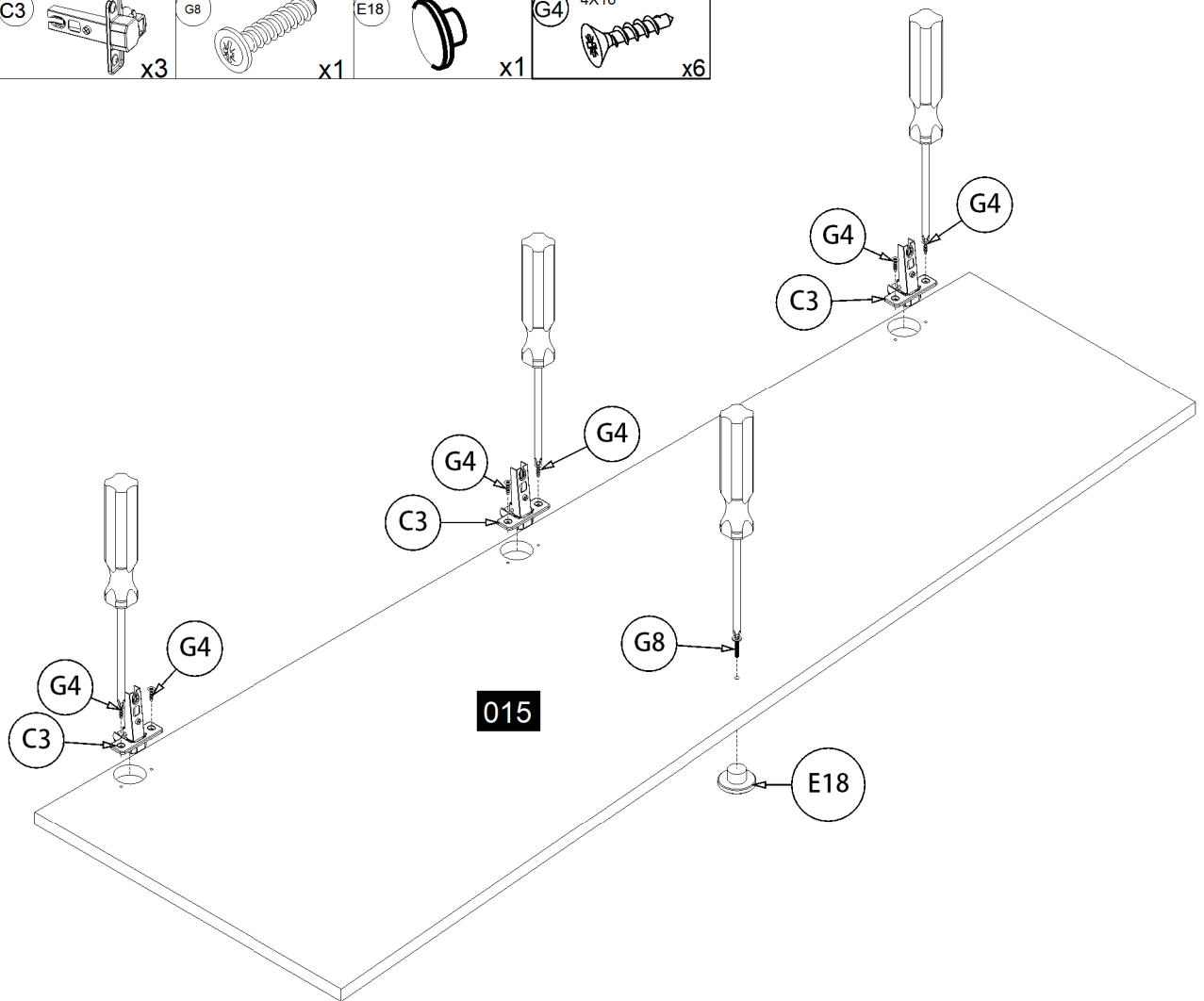
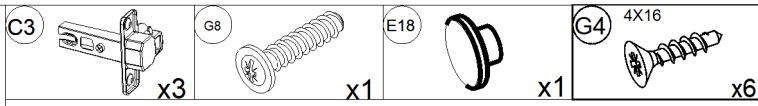


07

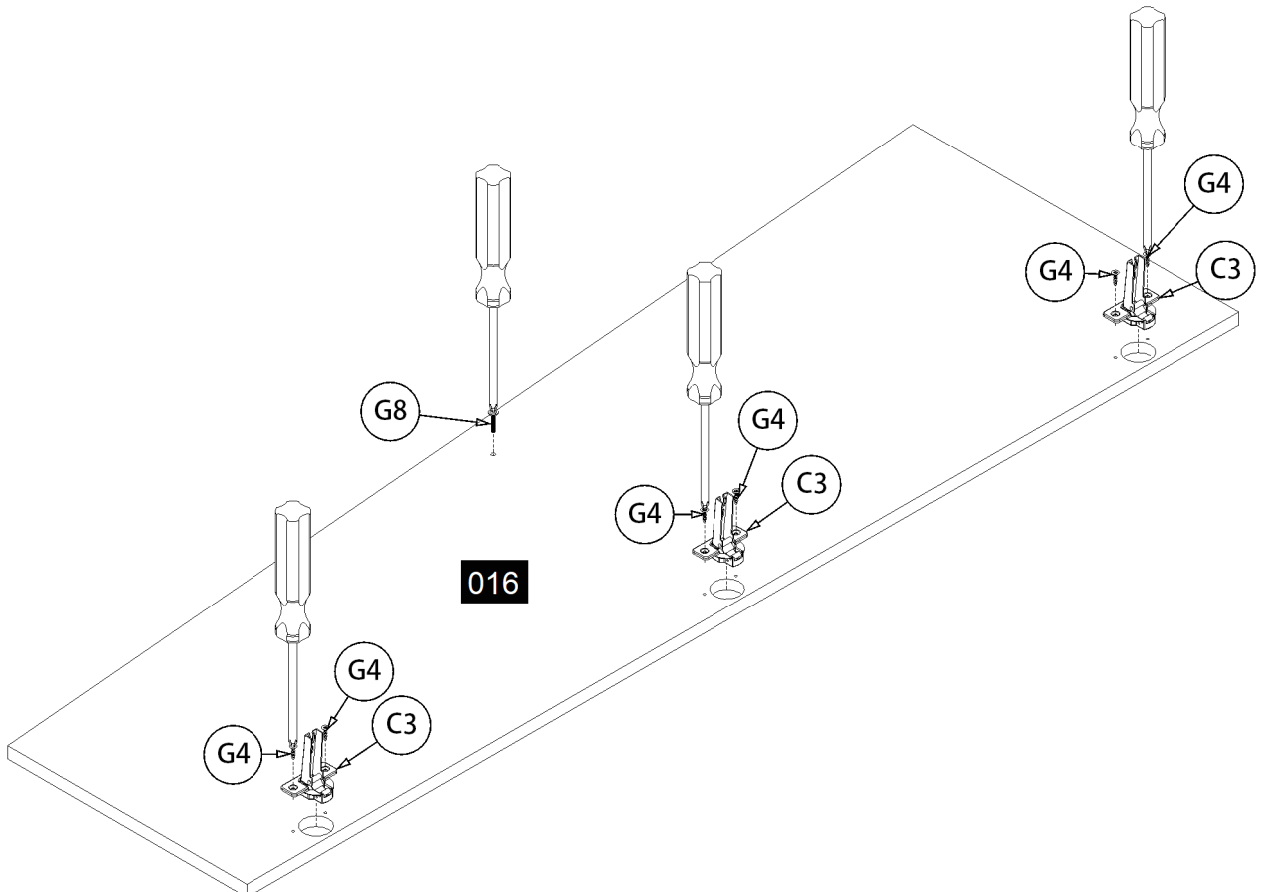
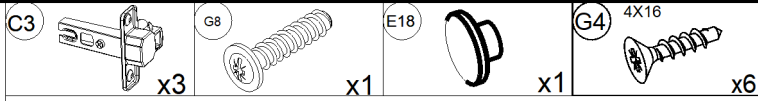
B7 $\varnothing 8 \times 30$  x4



08



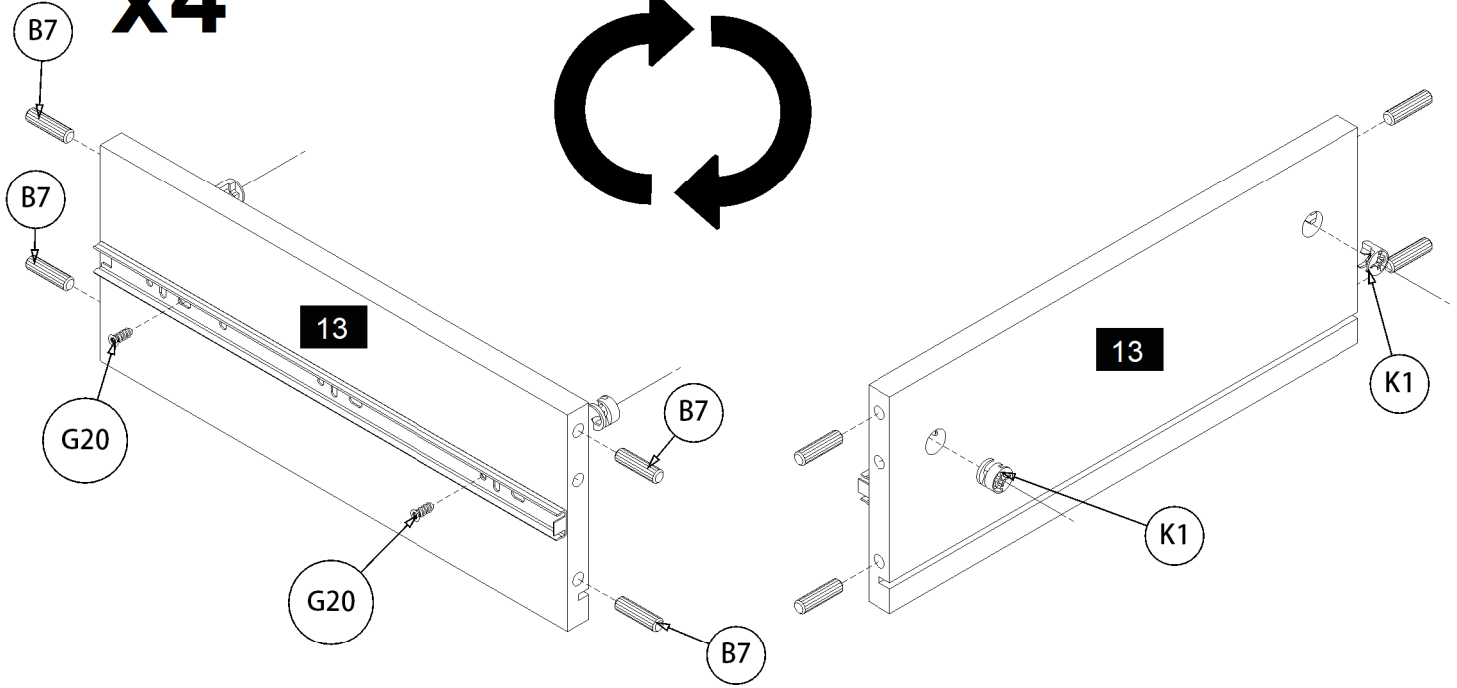
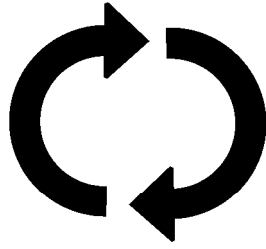
09



10

B7 Ø8X30 x16	K1 Ø15X12 x8	G20 5X13 x8	H11 x2
--------------------	--------------------	-------------------	-----------

x4

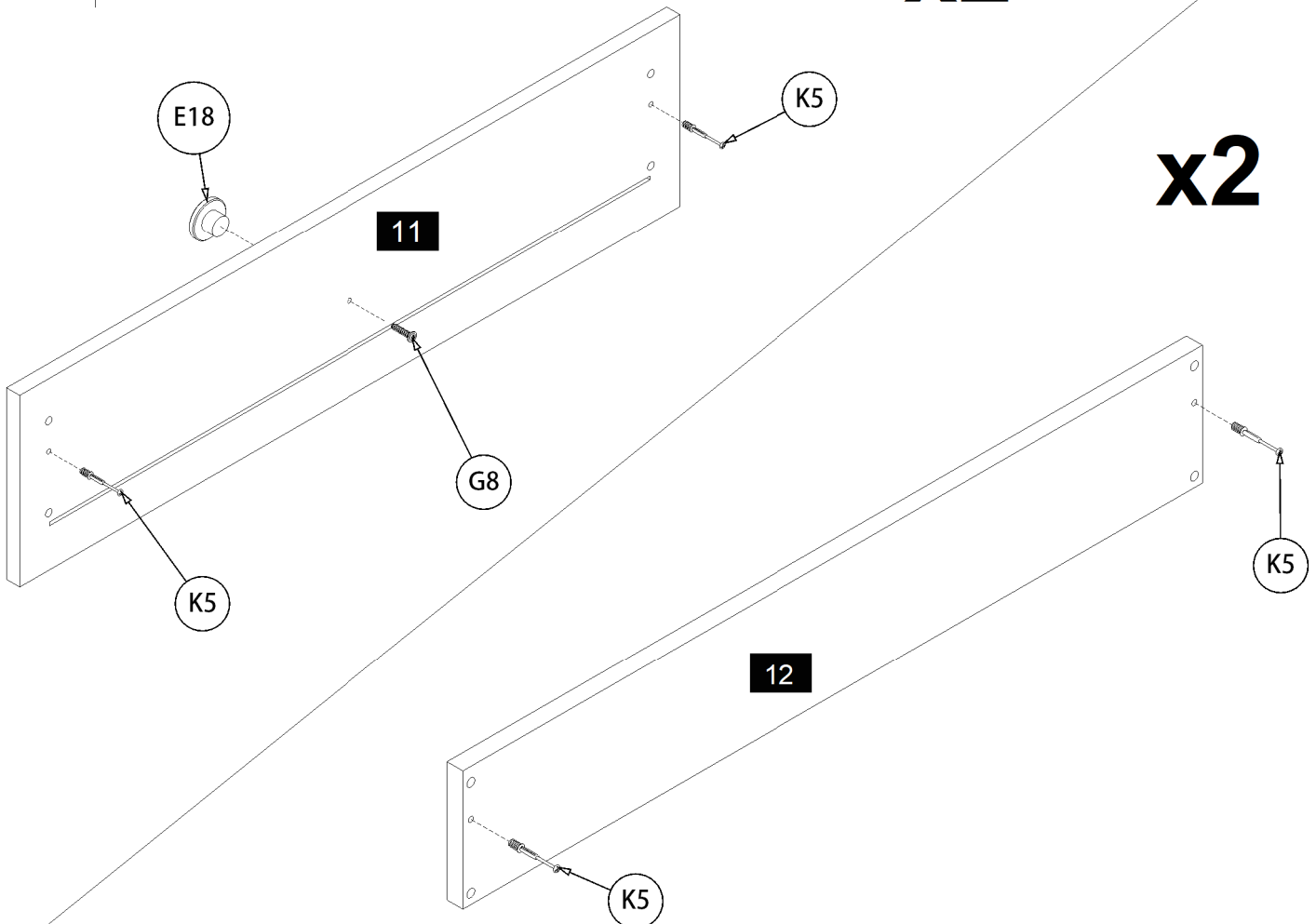


11

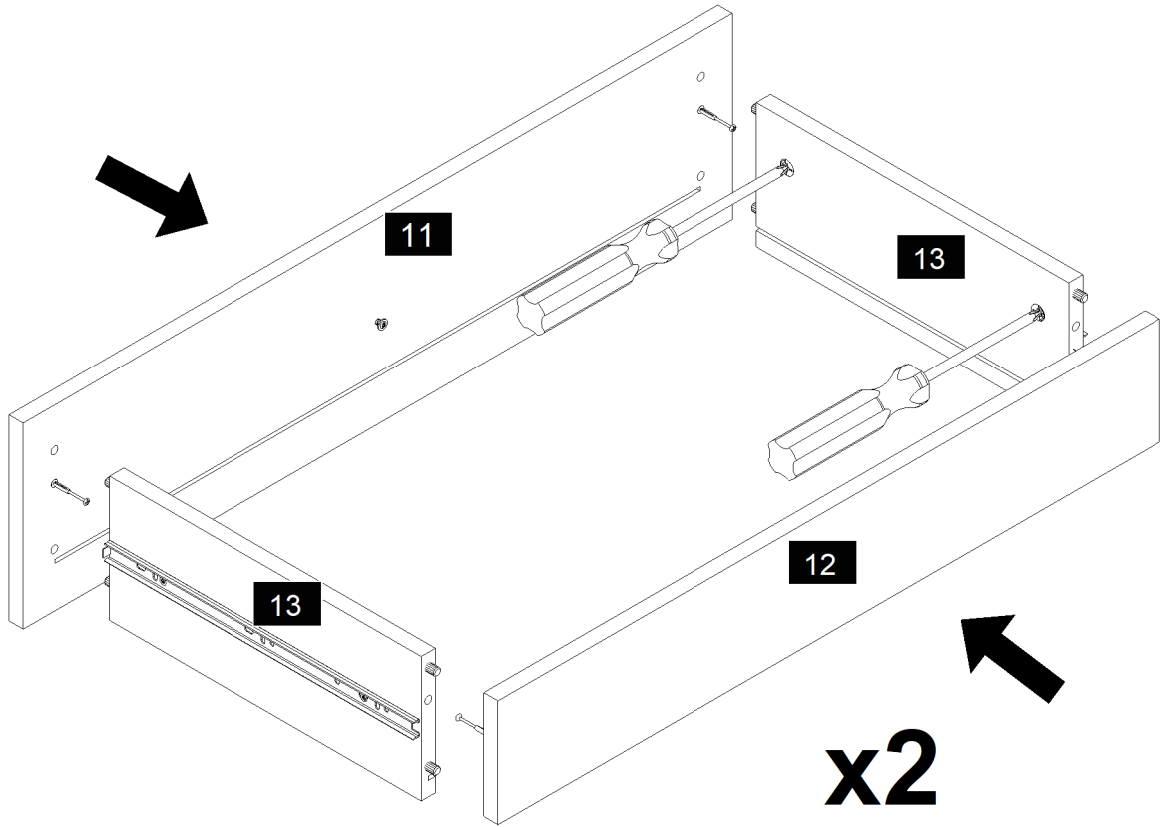
K5 x8	G8 x2	E18 x2	x2
----------	----------	-----------	----

x2

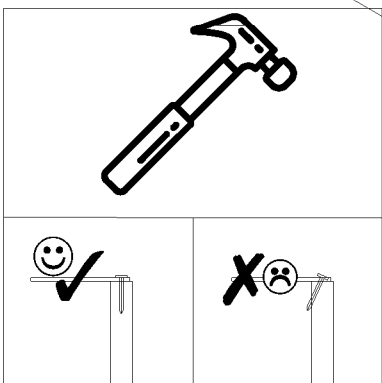
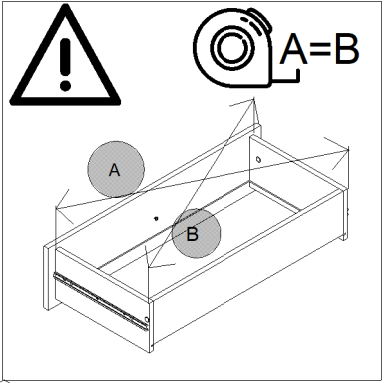
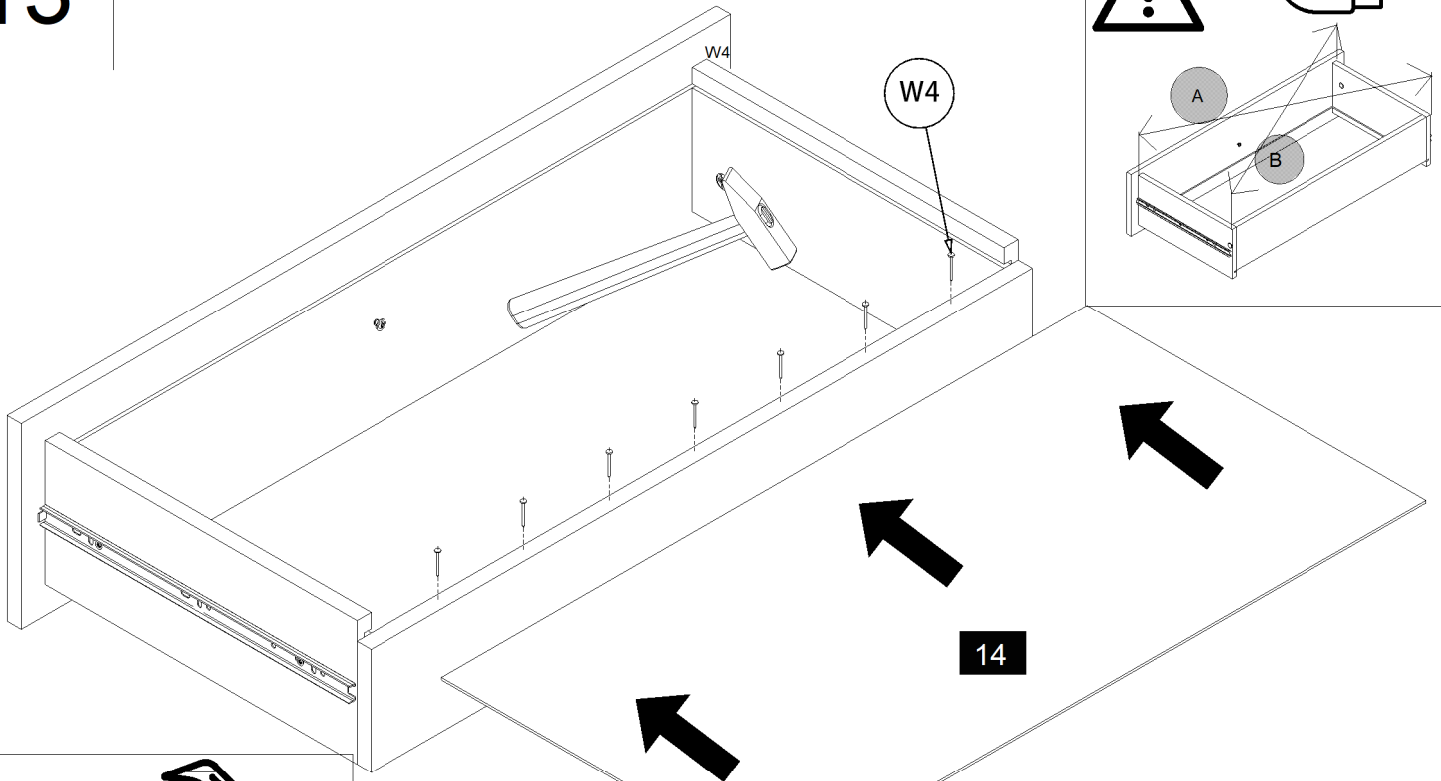
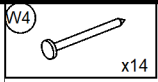
x2



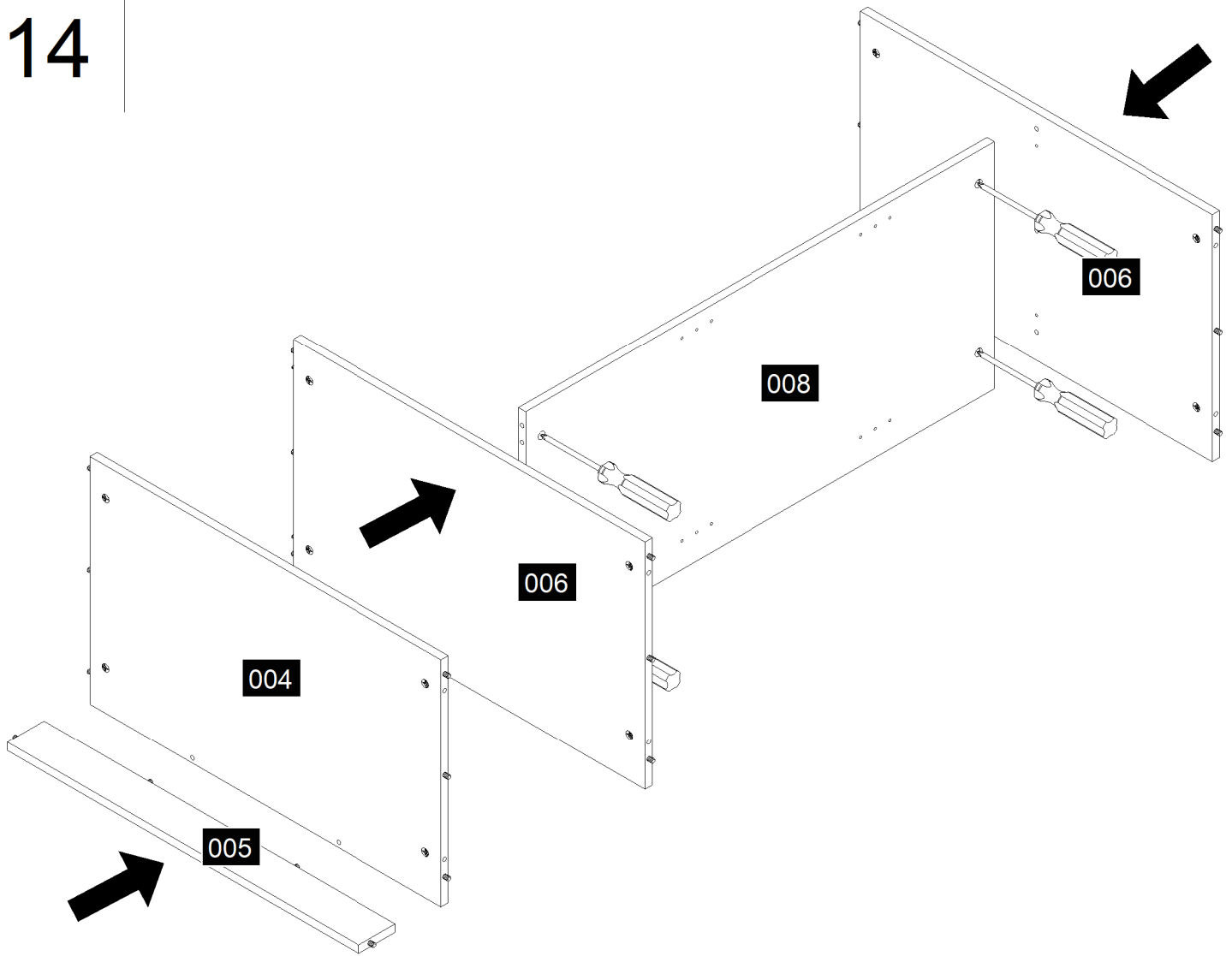
12



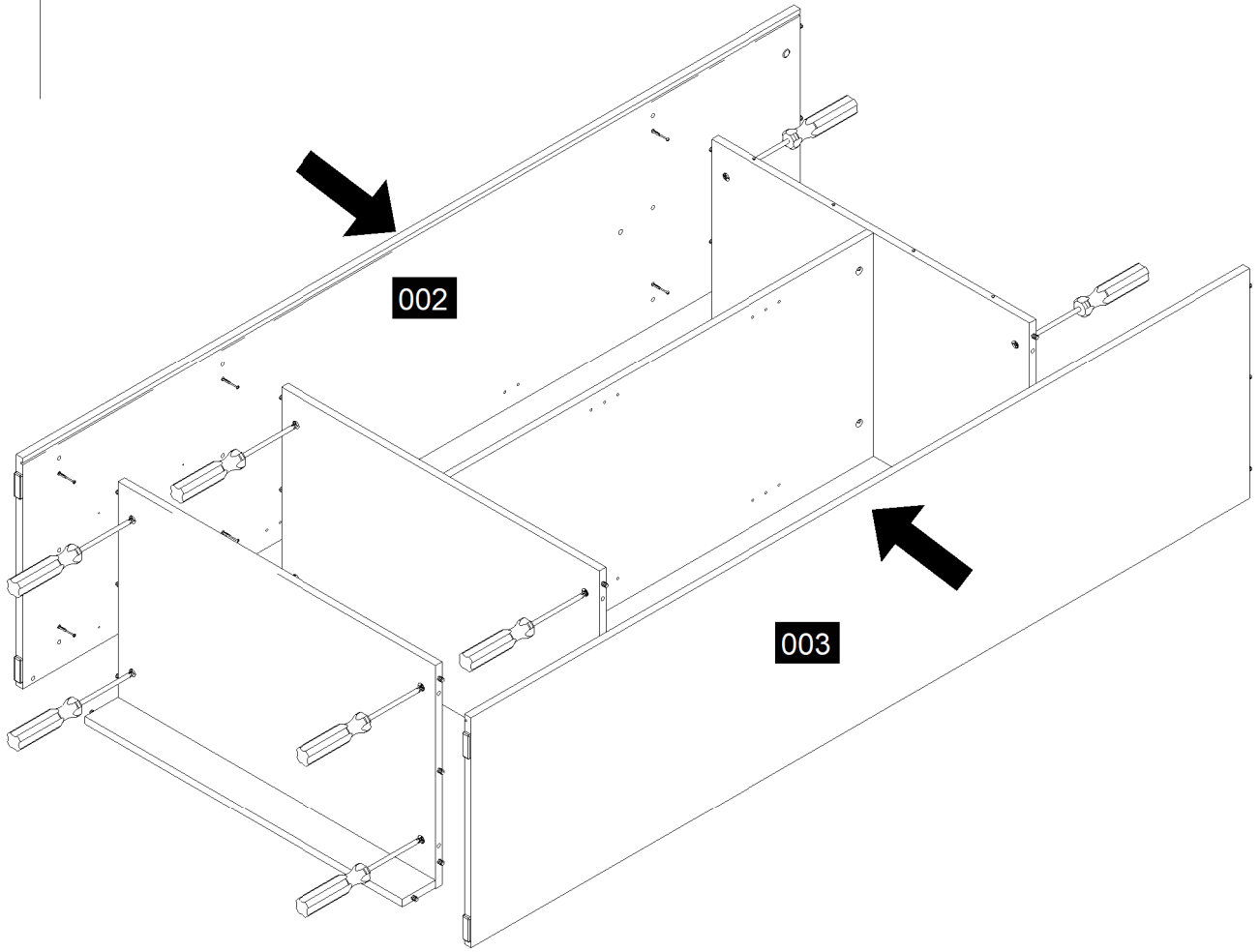
13



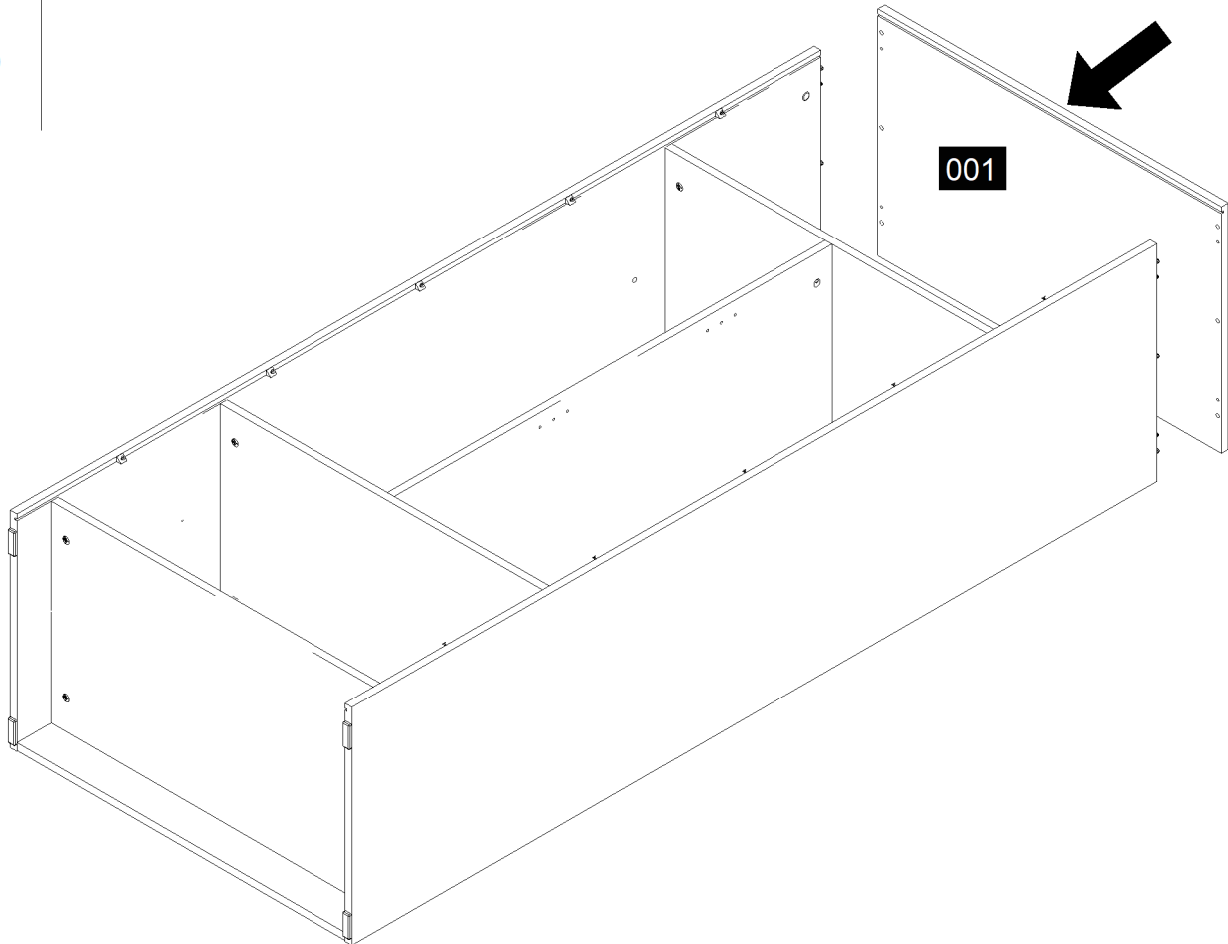
14



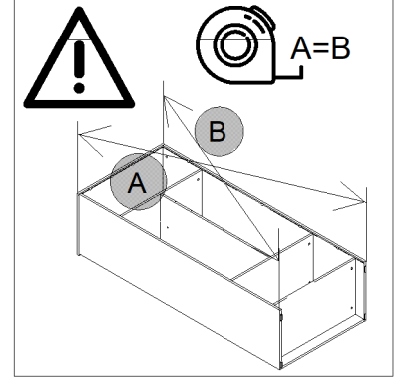
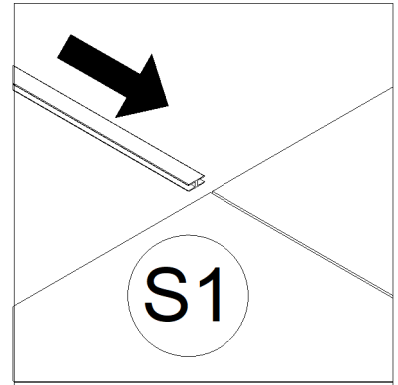
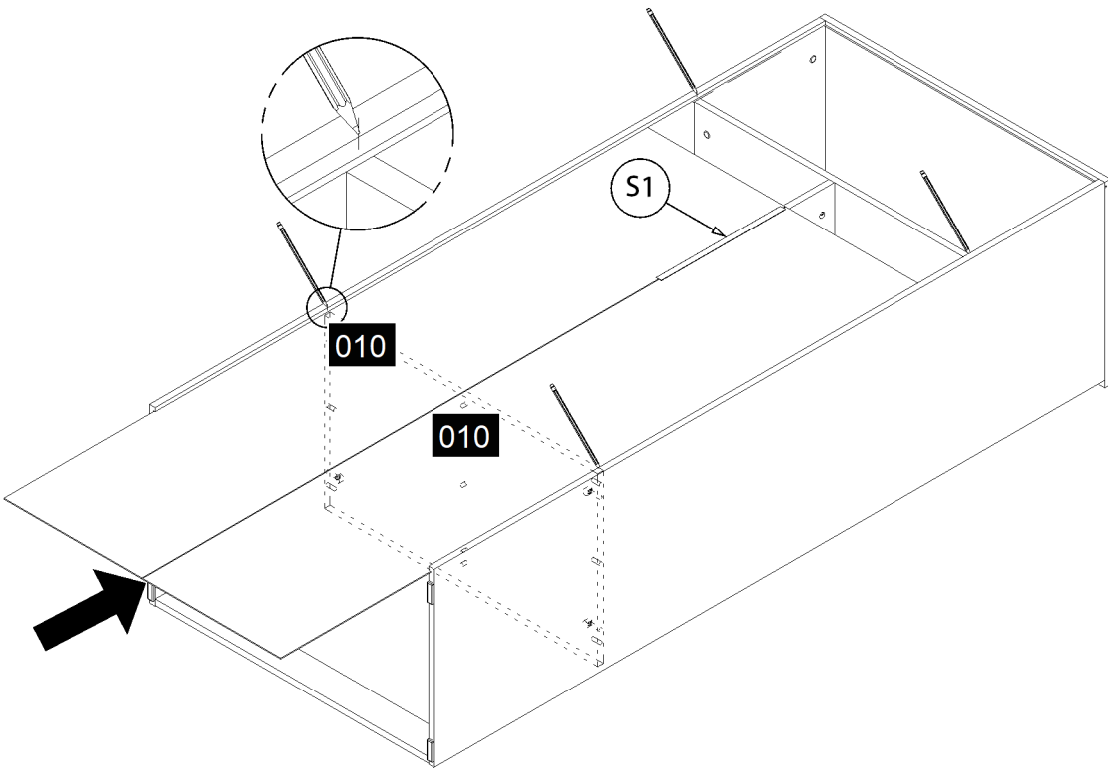
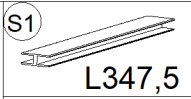
15



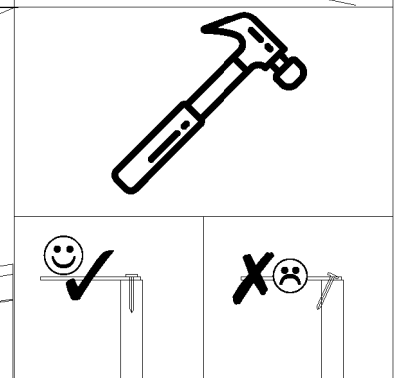
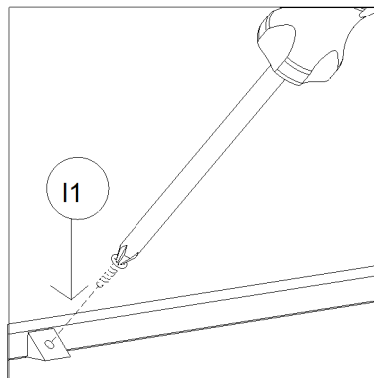
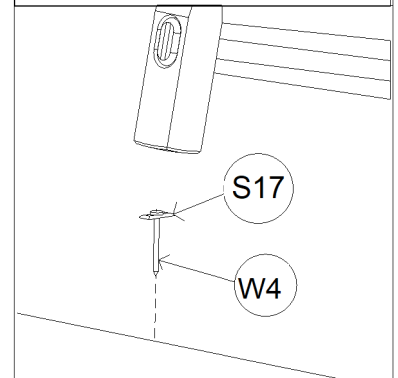
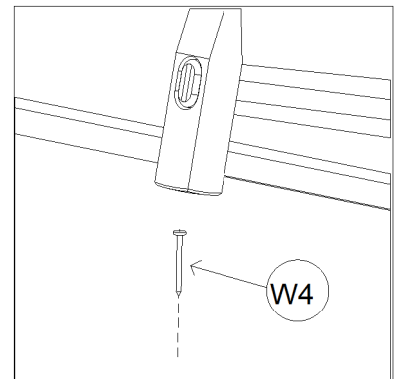
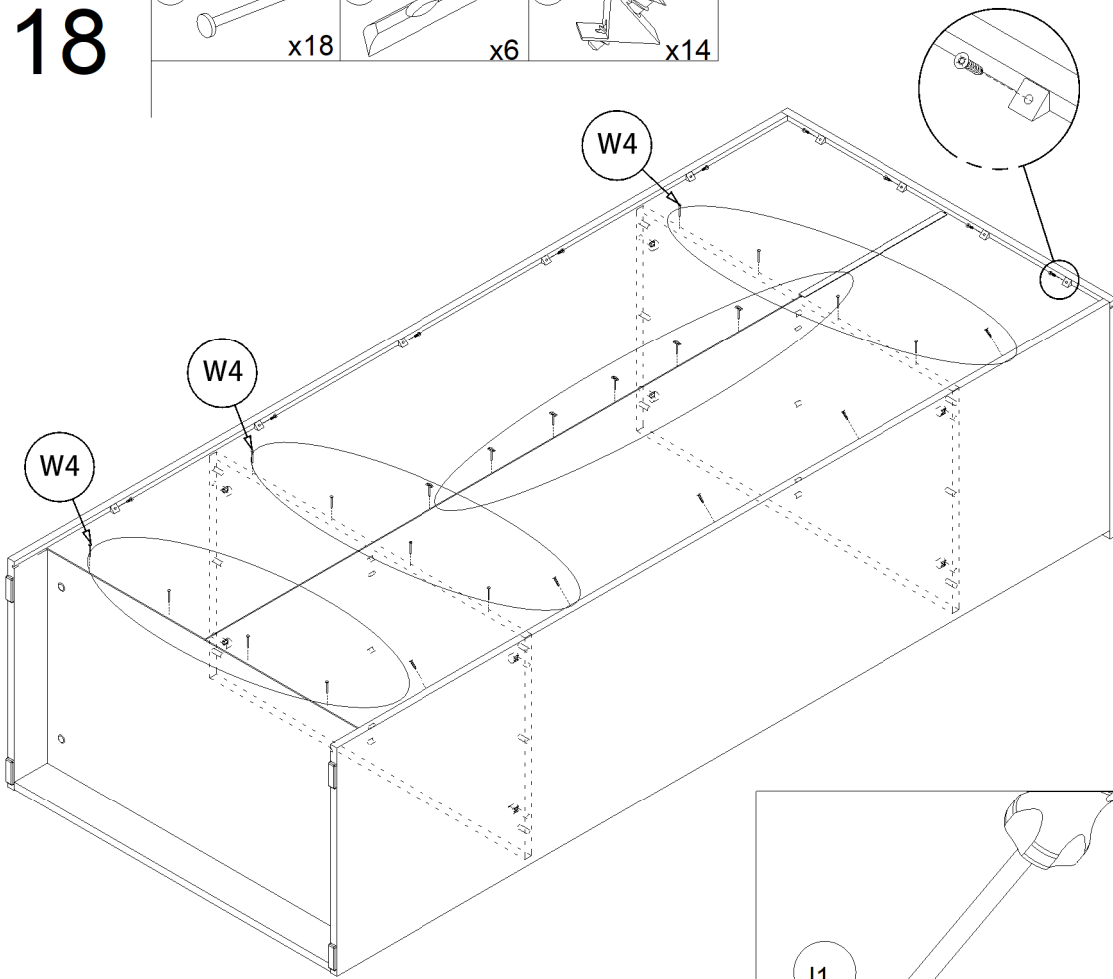
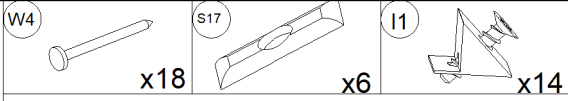
16



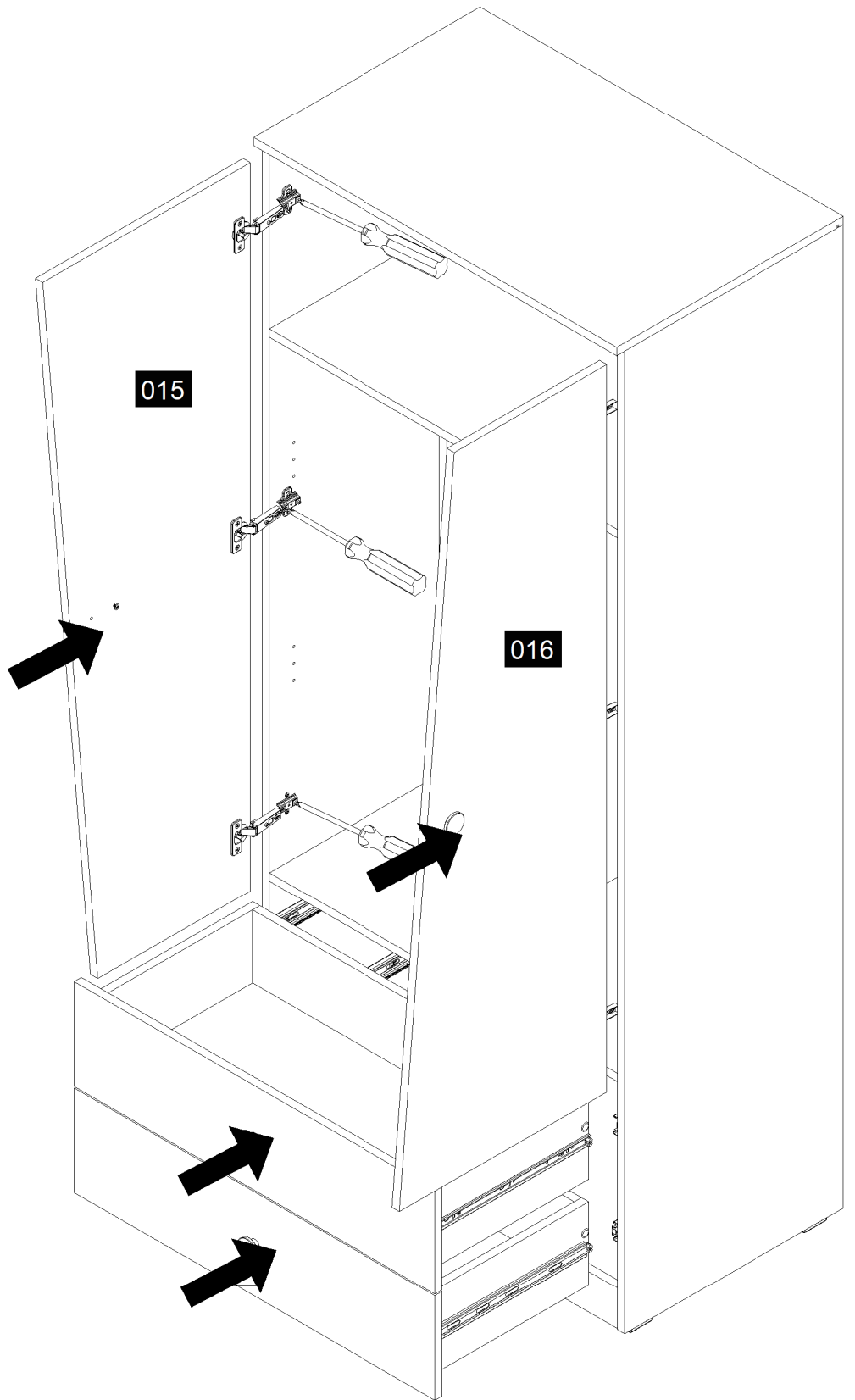
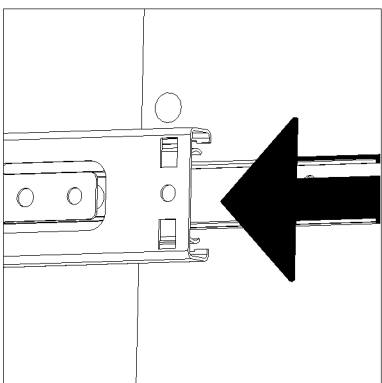
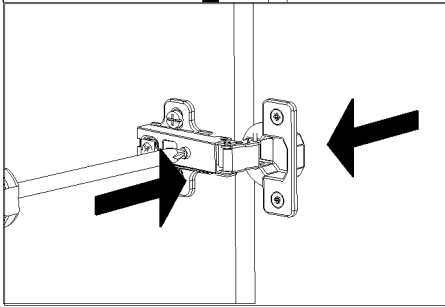
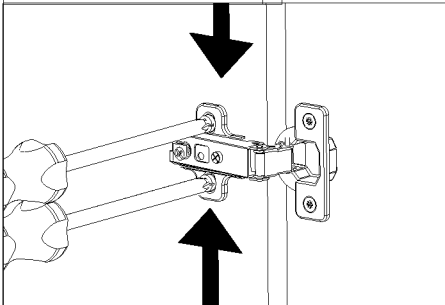
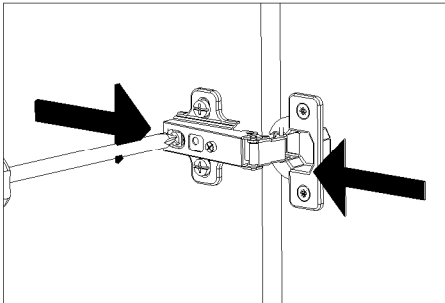
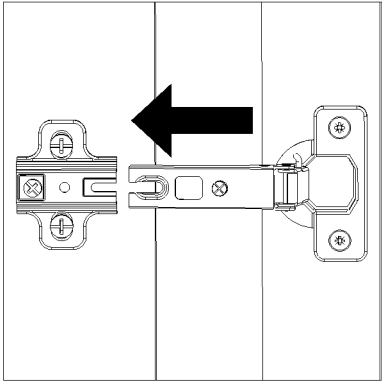
17



18

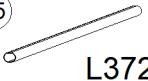


19



20

S5



S5

