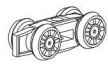
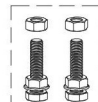


x5



x2



x1



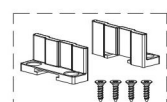
x2



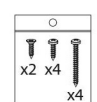
x2



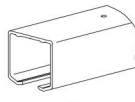
x3



x1



x1



x1



x1

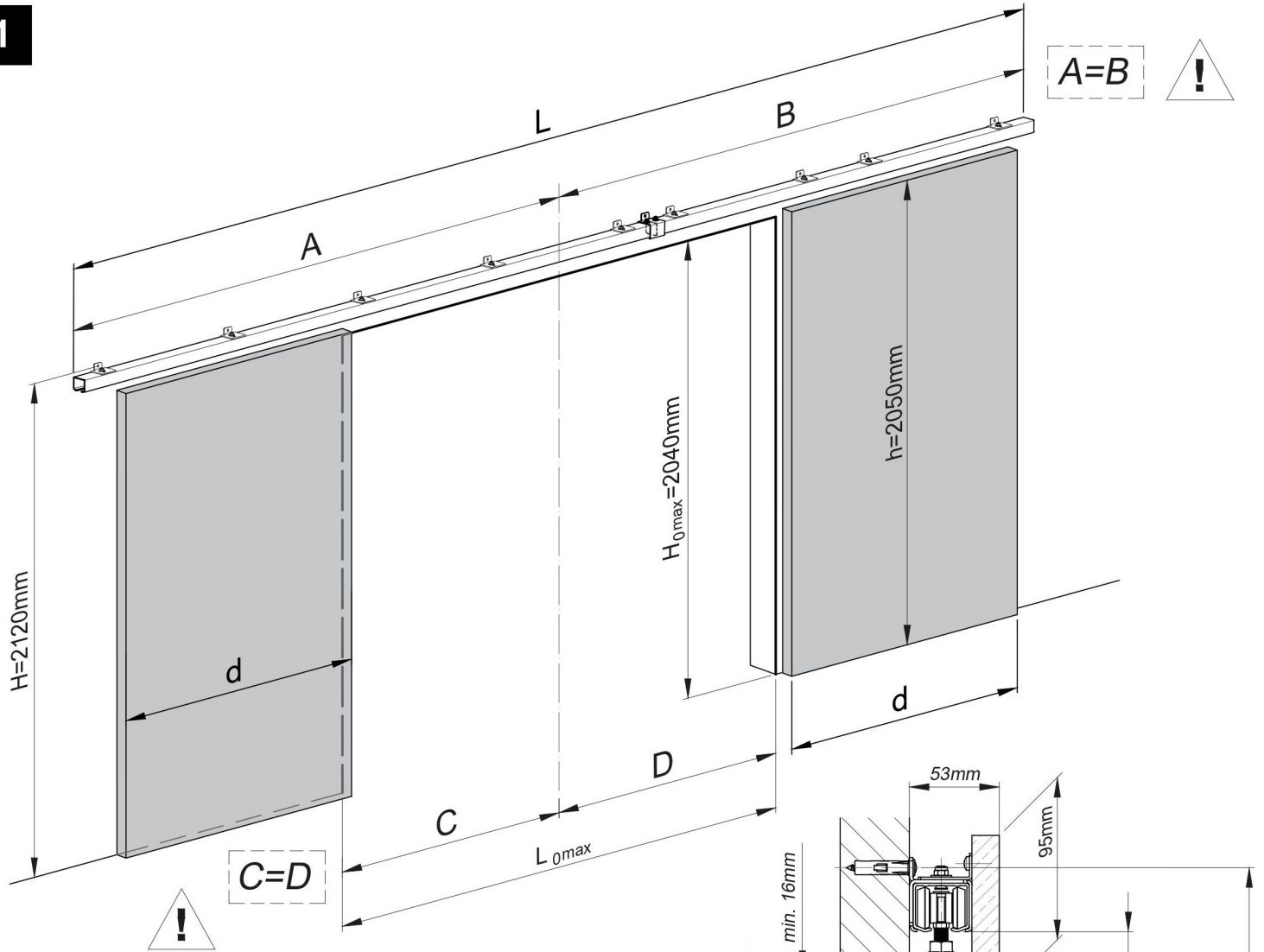


x1

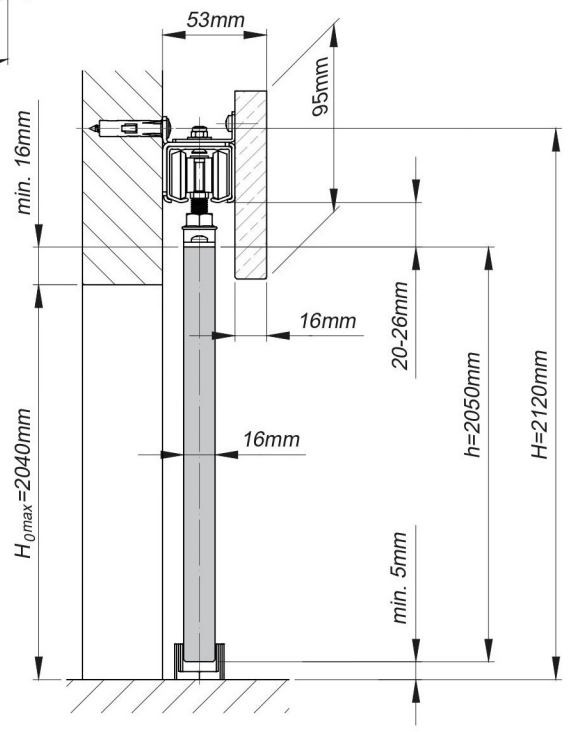
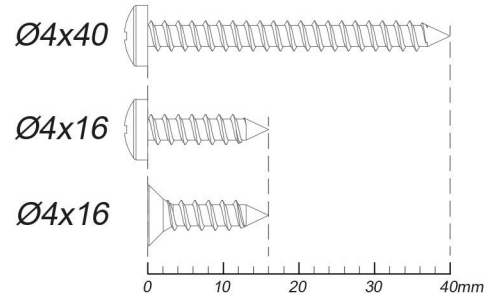


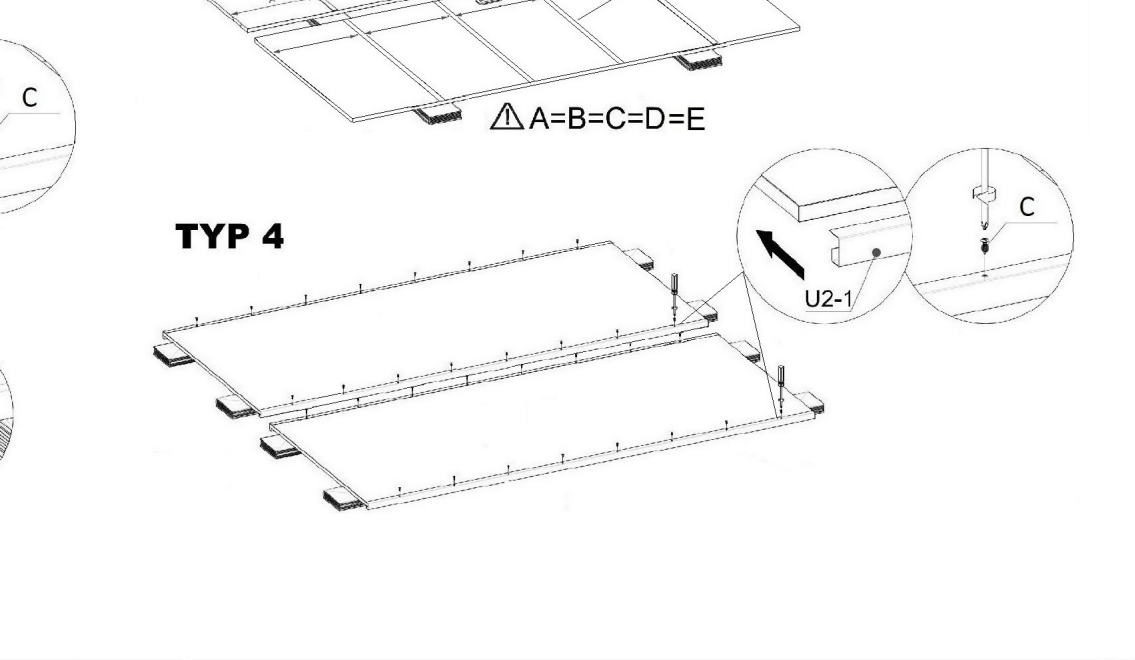
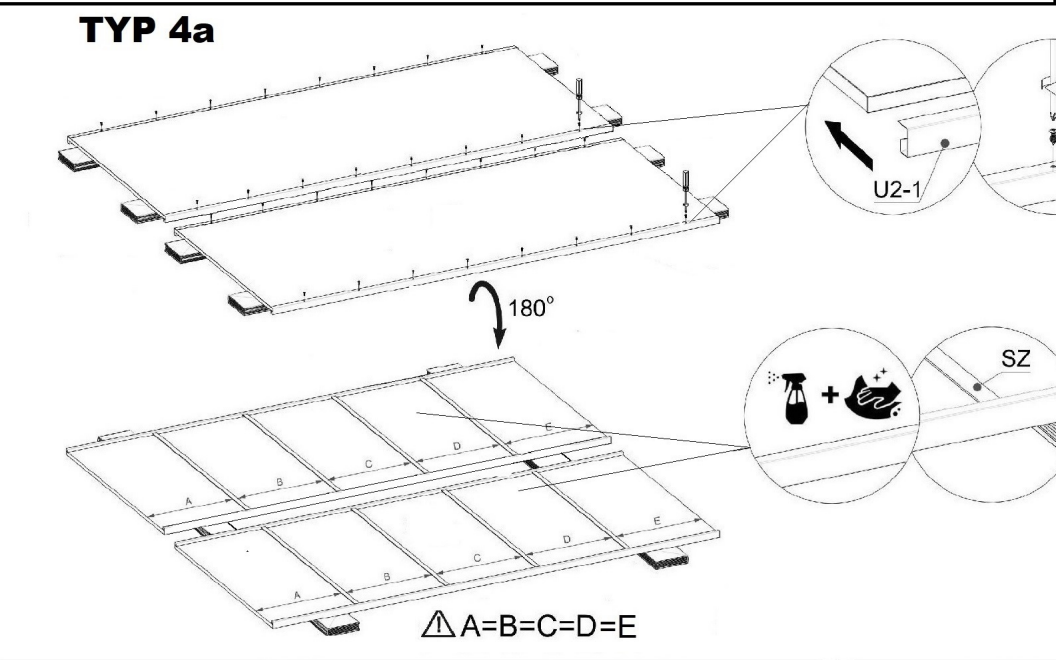
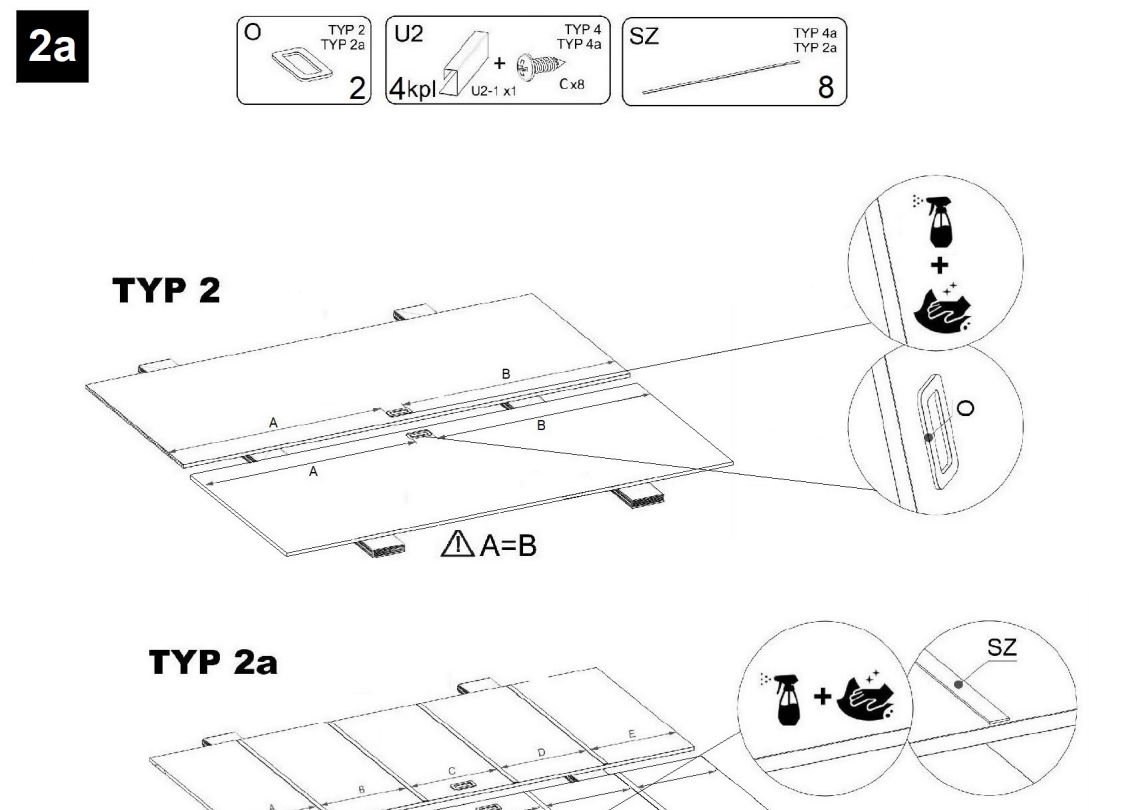
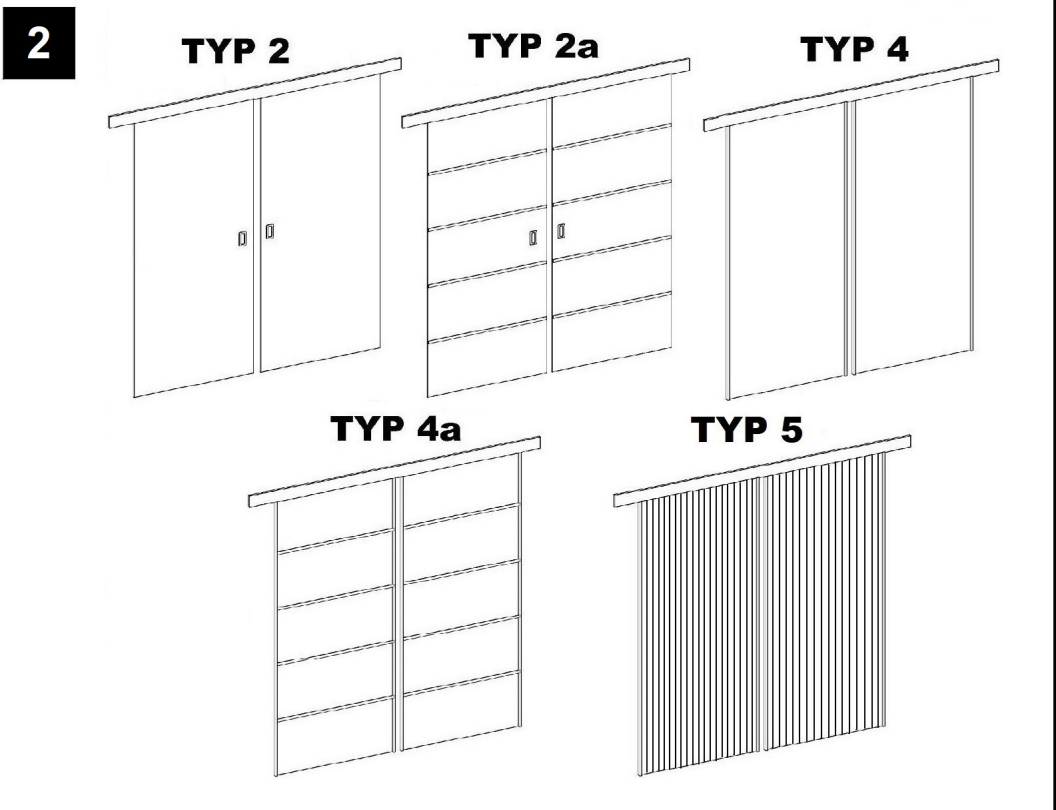
x2/x4

1



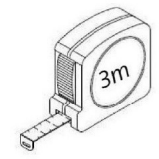
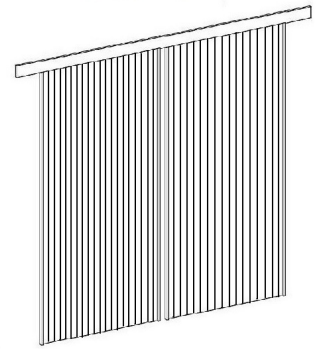
L [mm]	2570	2970	3370	4000	
d [mm] x2	660 "120"	760 "140"	860 "160"	960 "180"	1060 "200"
L _{0max} [mm]	1260	1460	1660	1860	2060



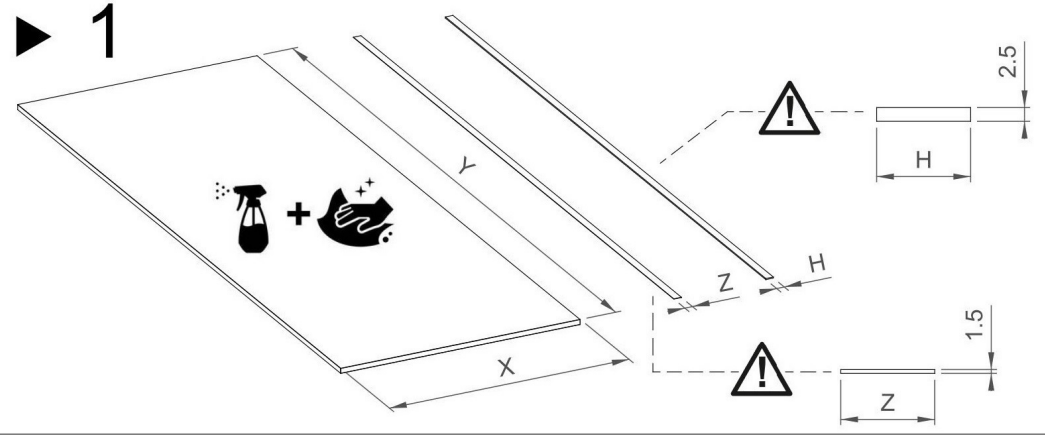


2b

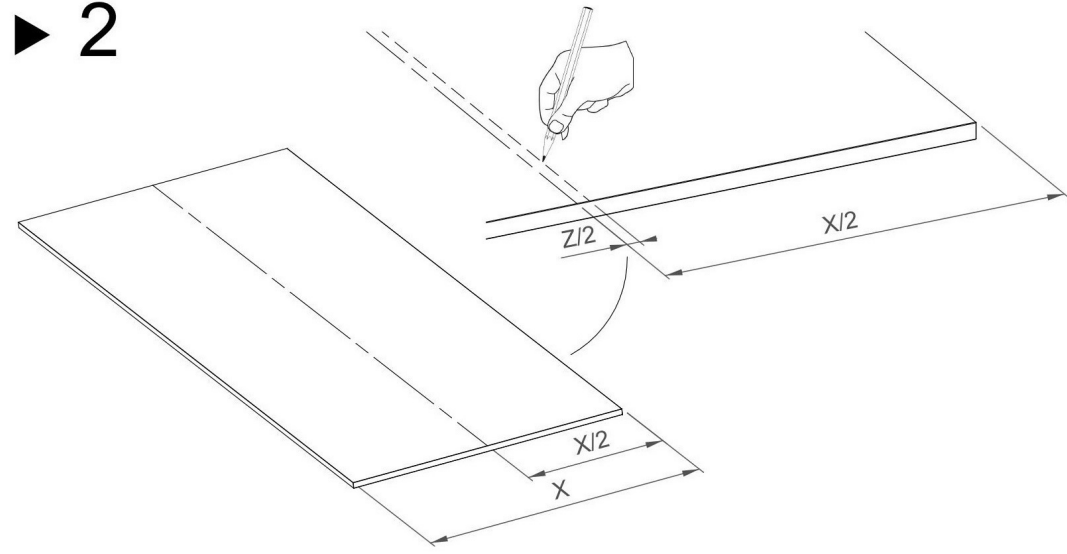
TYP 5



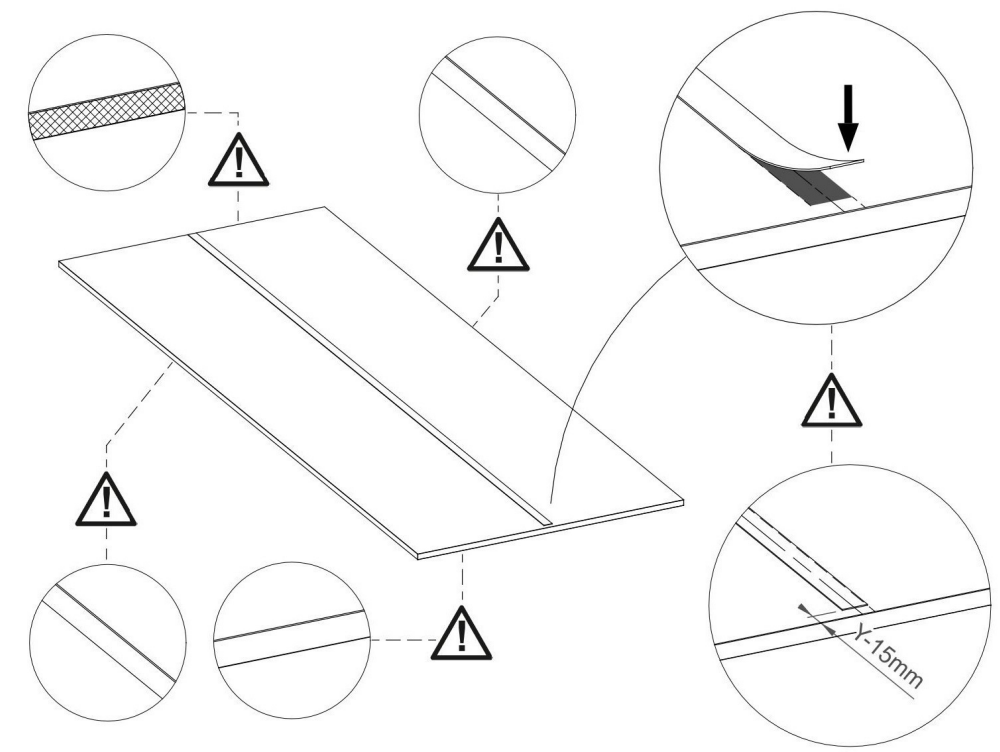
▶ 1



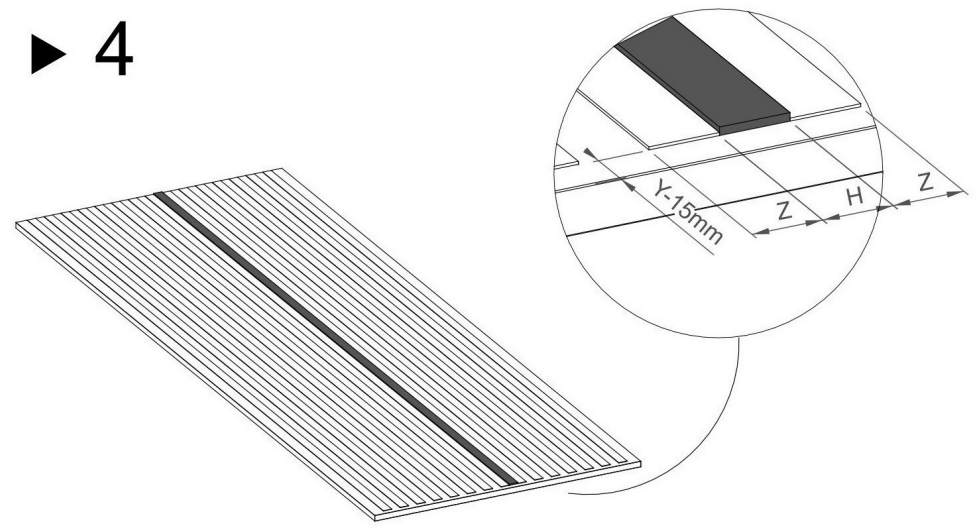
▶ 2



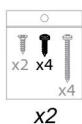
▶ 3



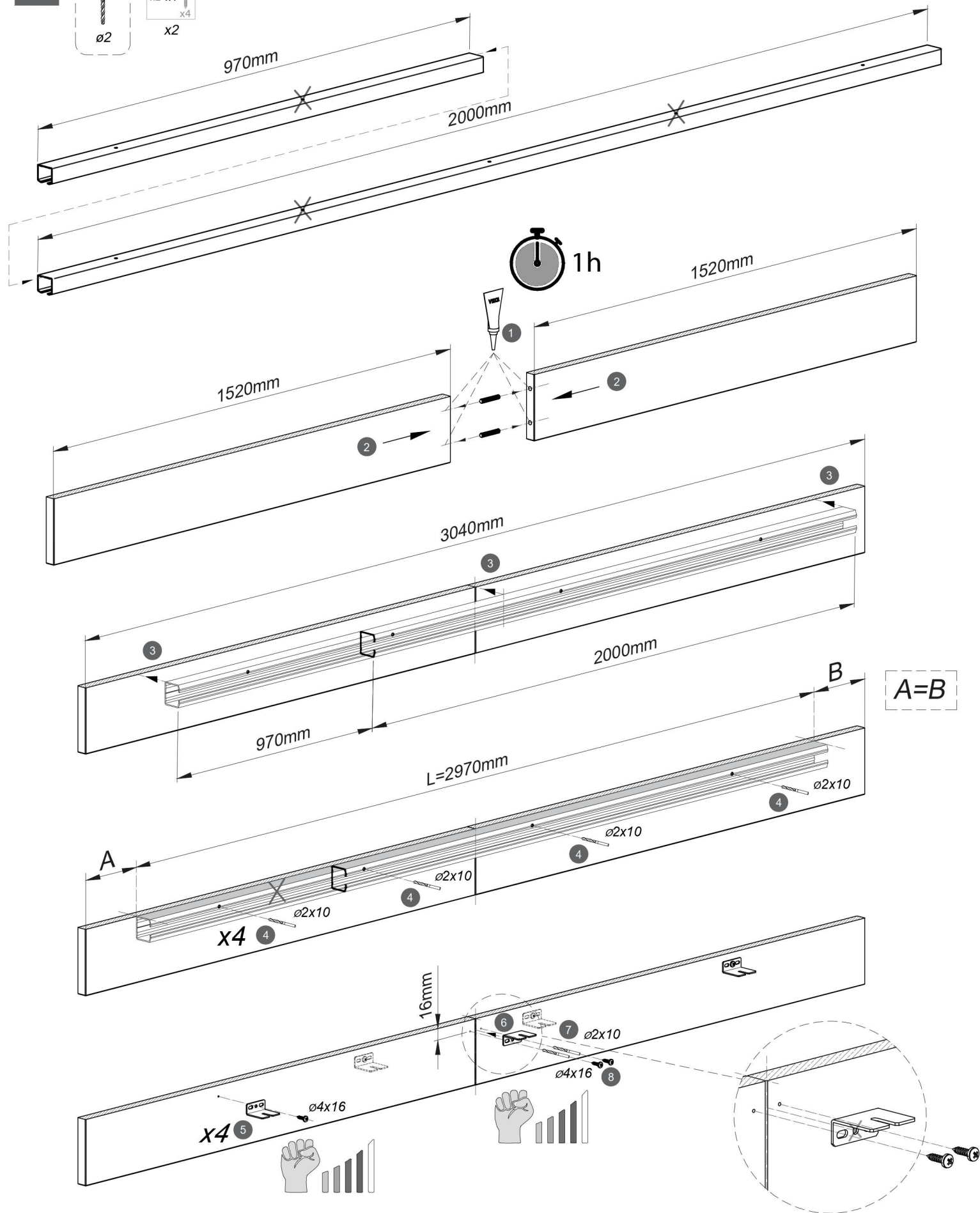
▶ 4



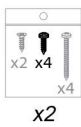
3b



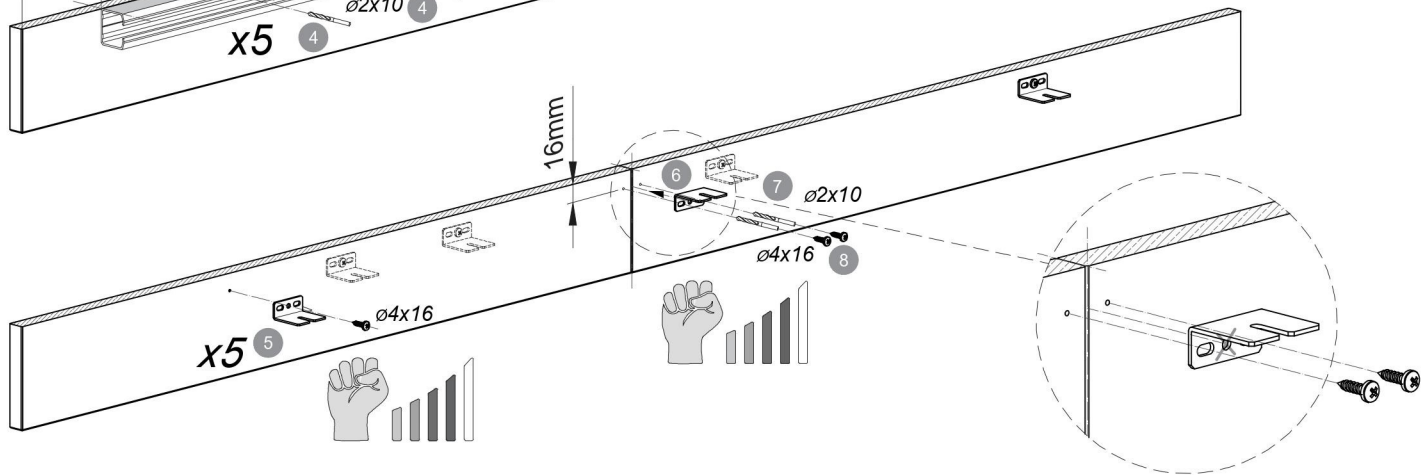
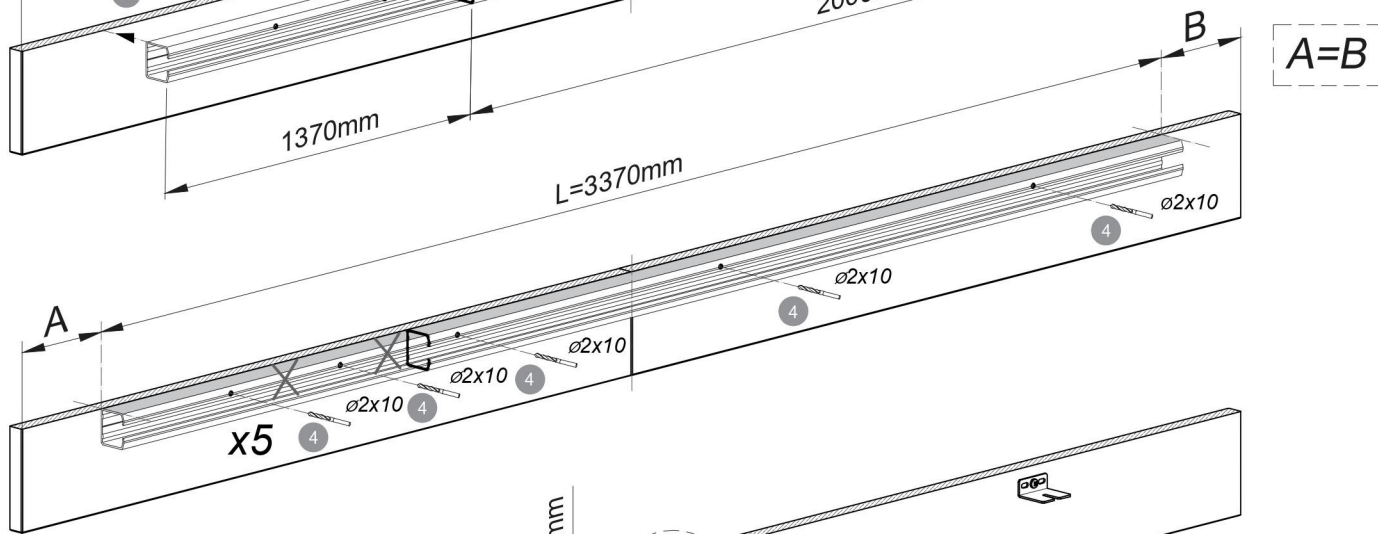
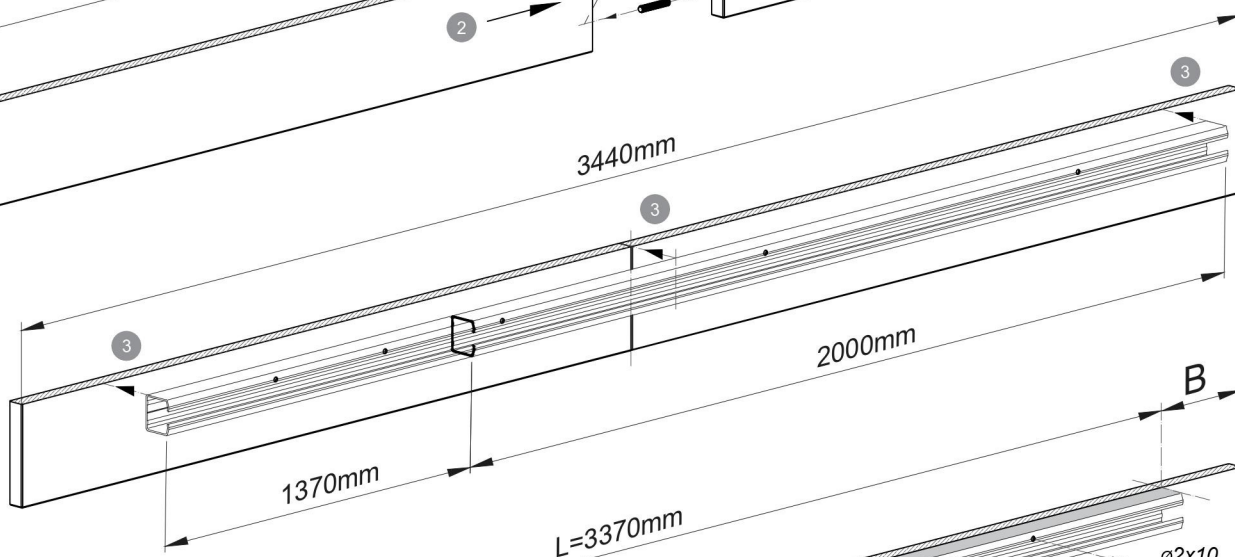
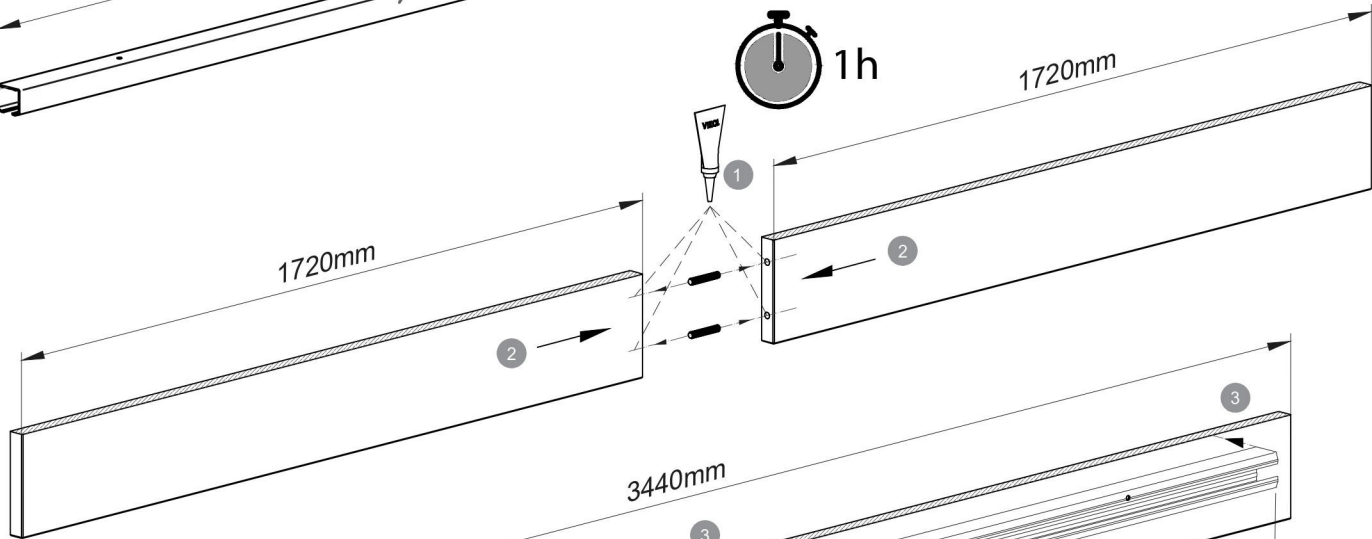
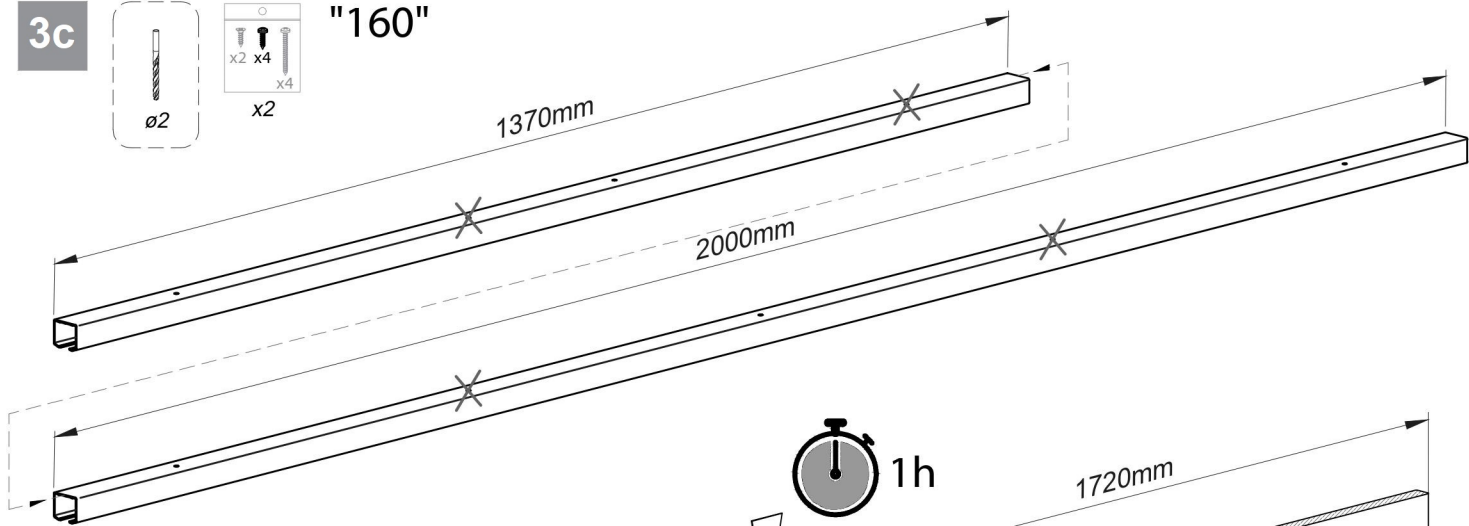
"140"



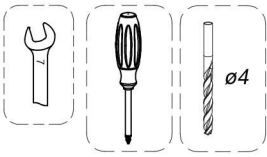
3c



"160"



4a

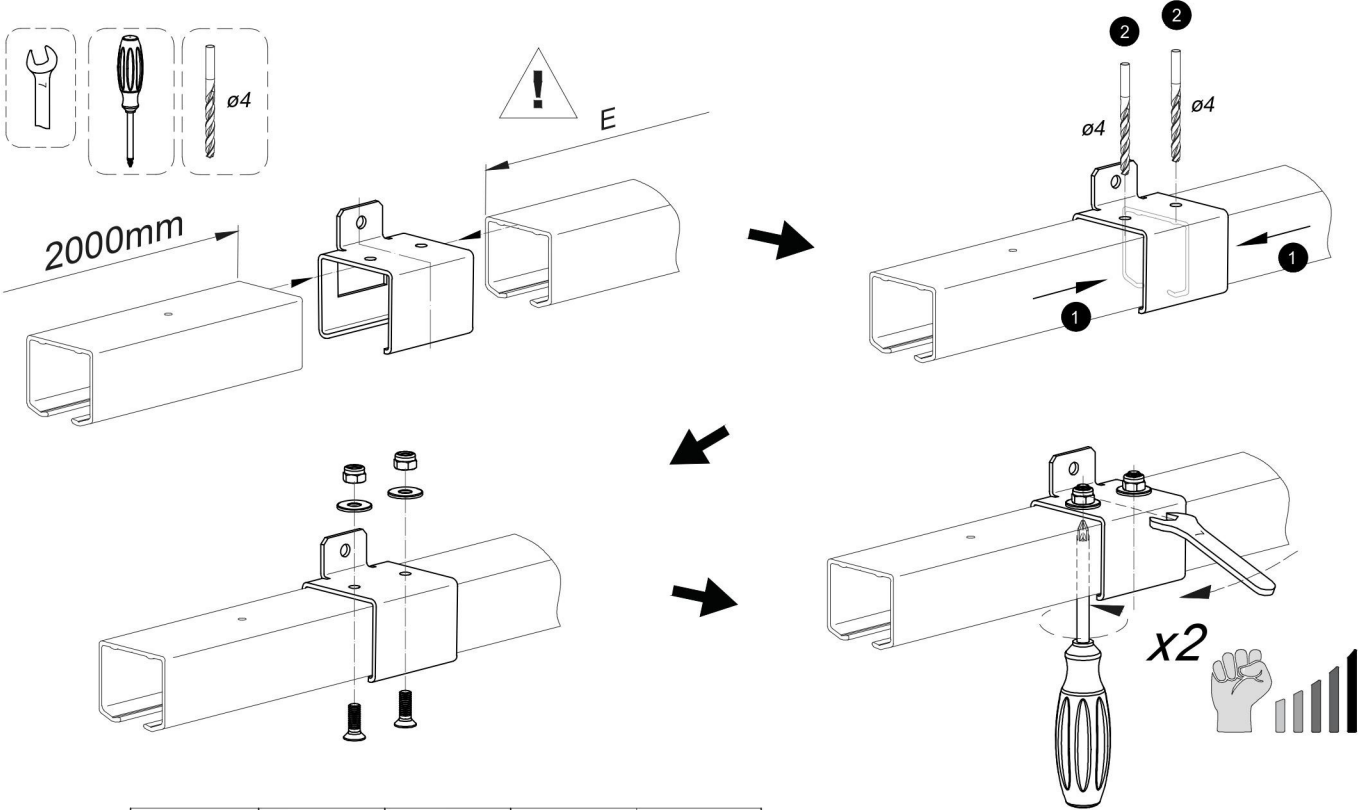


4b

4c

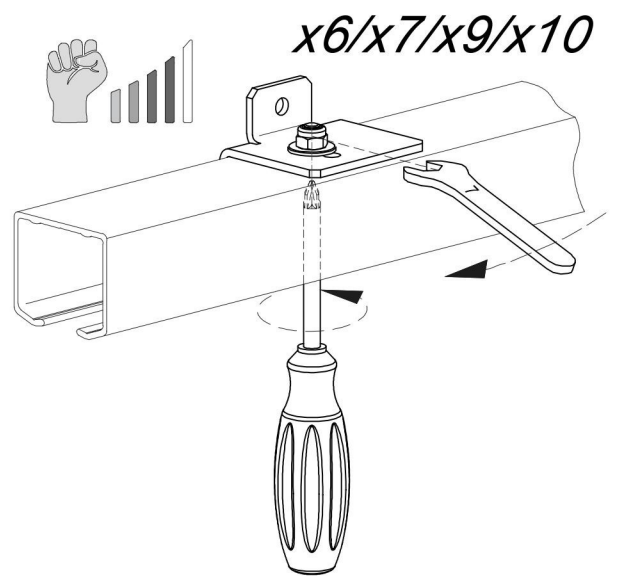
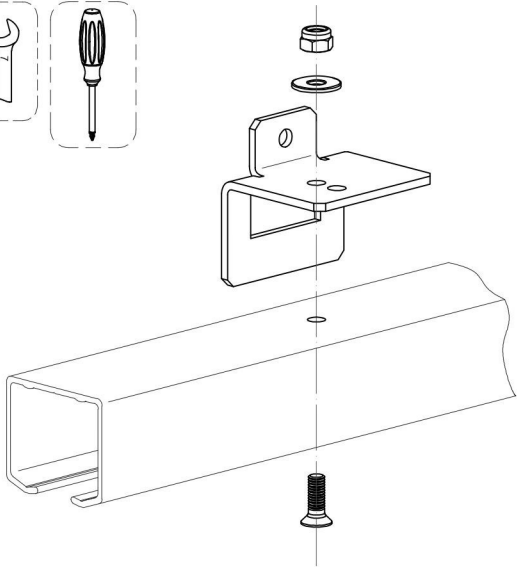
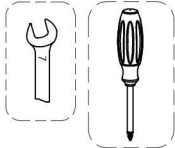
4d

4e

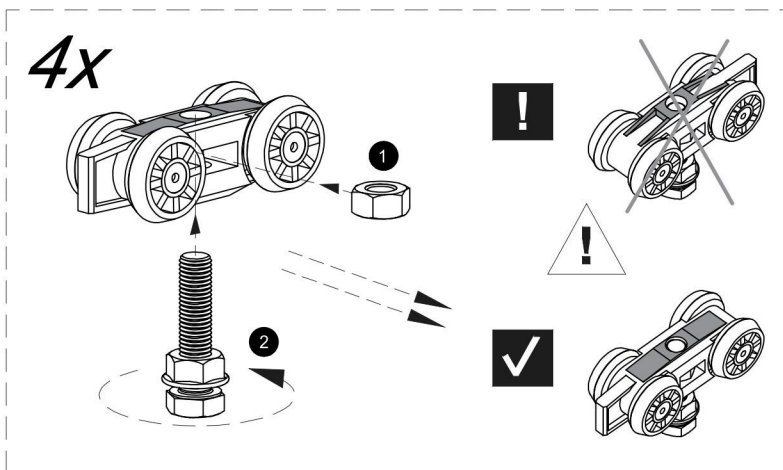


	"120"	"140"	"160"	"180"	"200"
E [mm]	570	970	1370	2000	

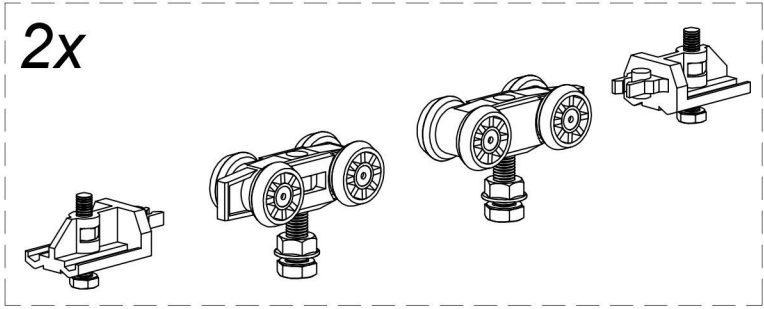
5



6



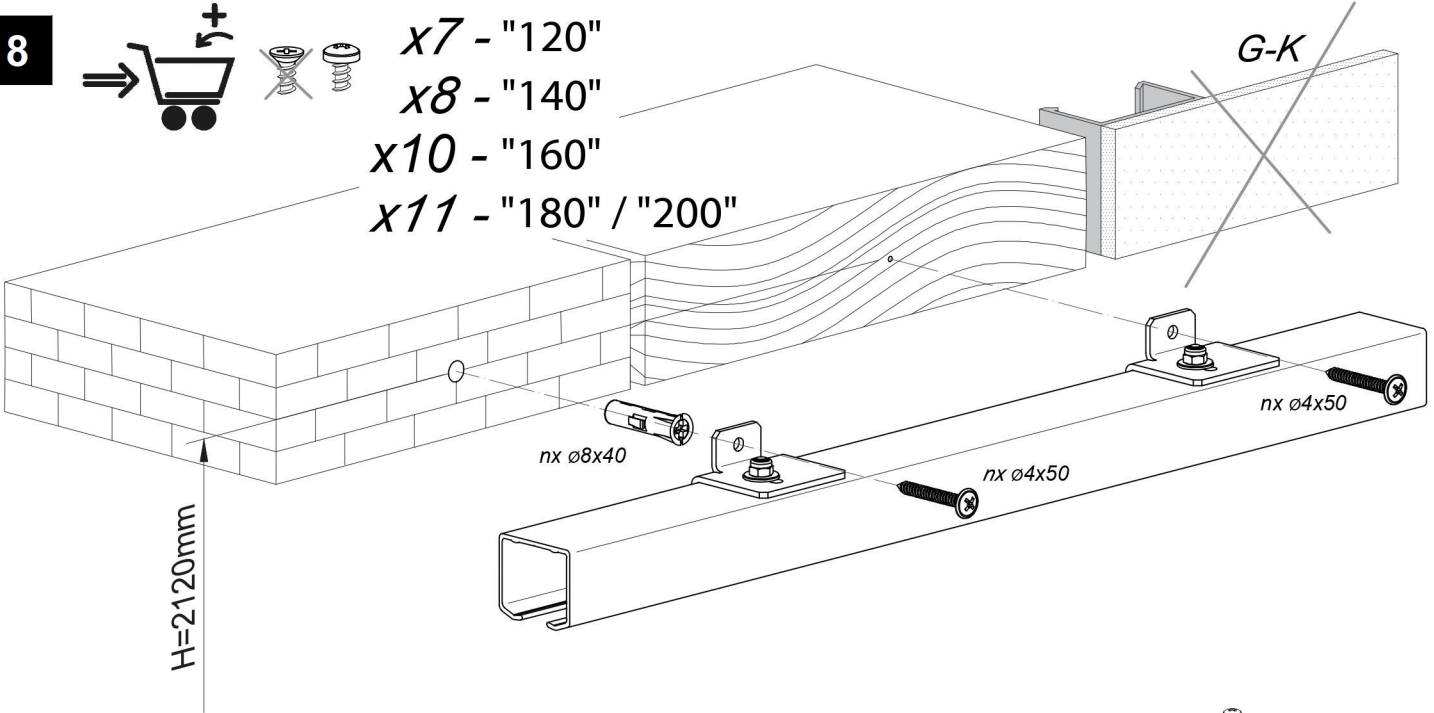
7



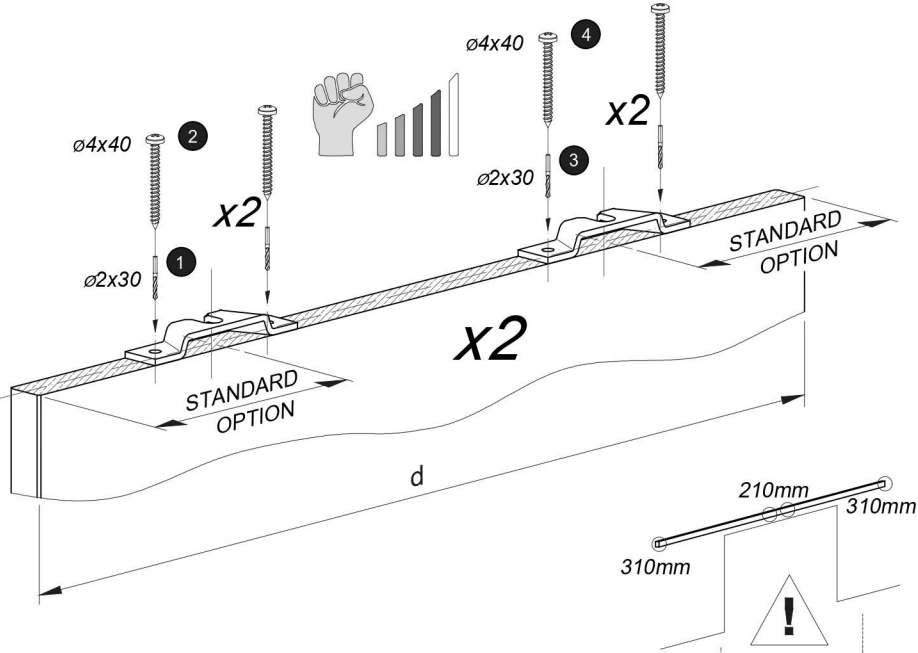
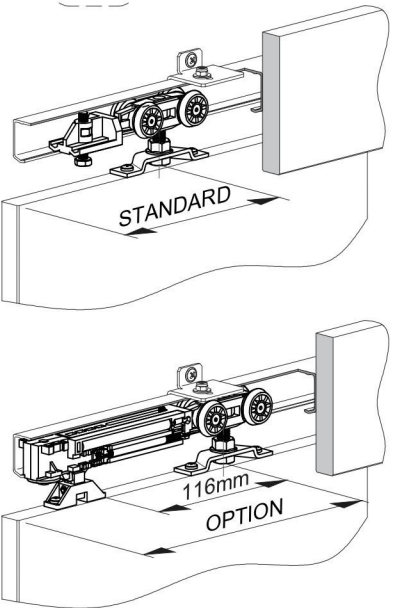
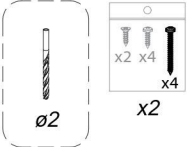
8



- x7 - "120"
- x8 - "140"
- x10 - "160"
- x11 - "180" / "200"



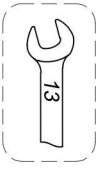
9



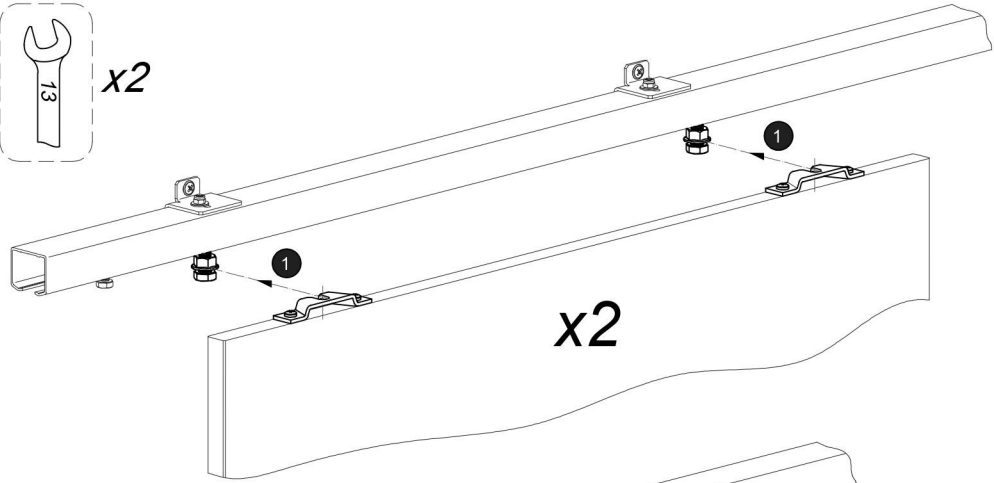
	d [mm]	660 "120"	760 "140"	860 "160"	960 "180"	1060 "200"
STANDARD [mm]			100			160
OPTION [mm]			180			210/310



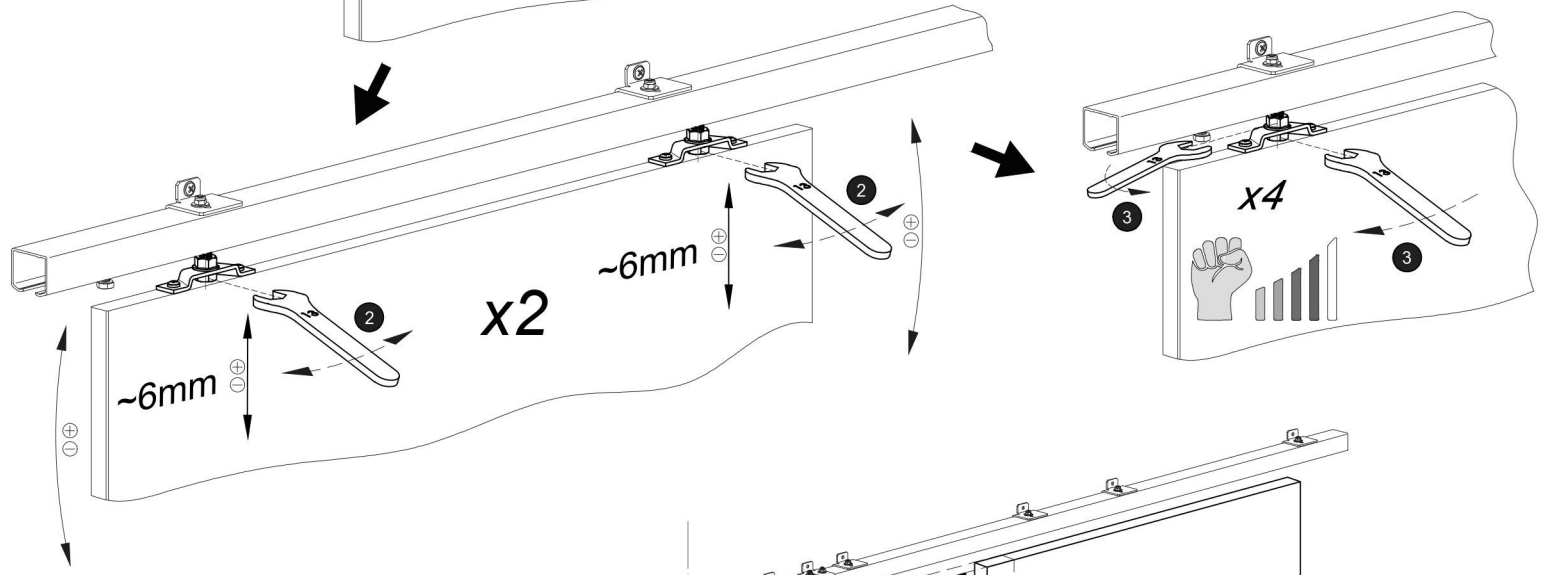
10



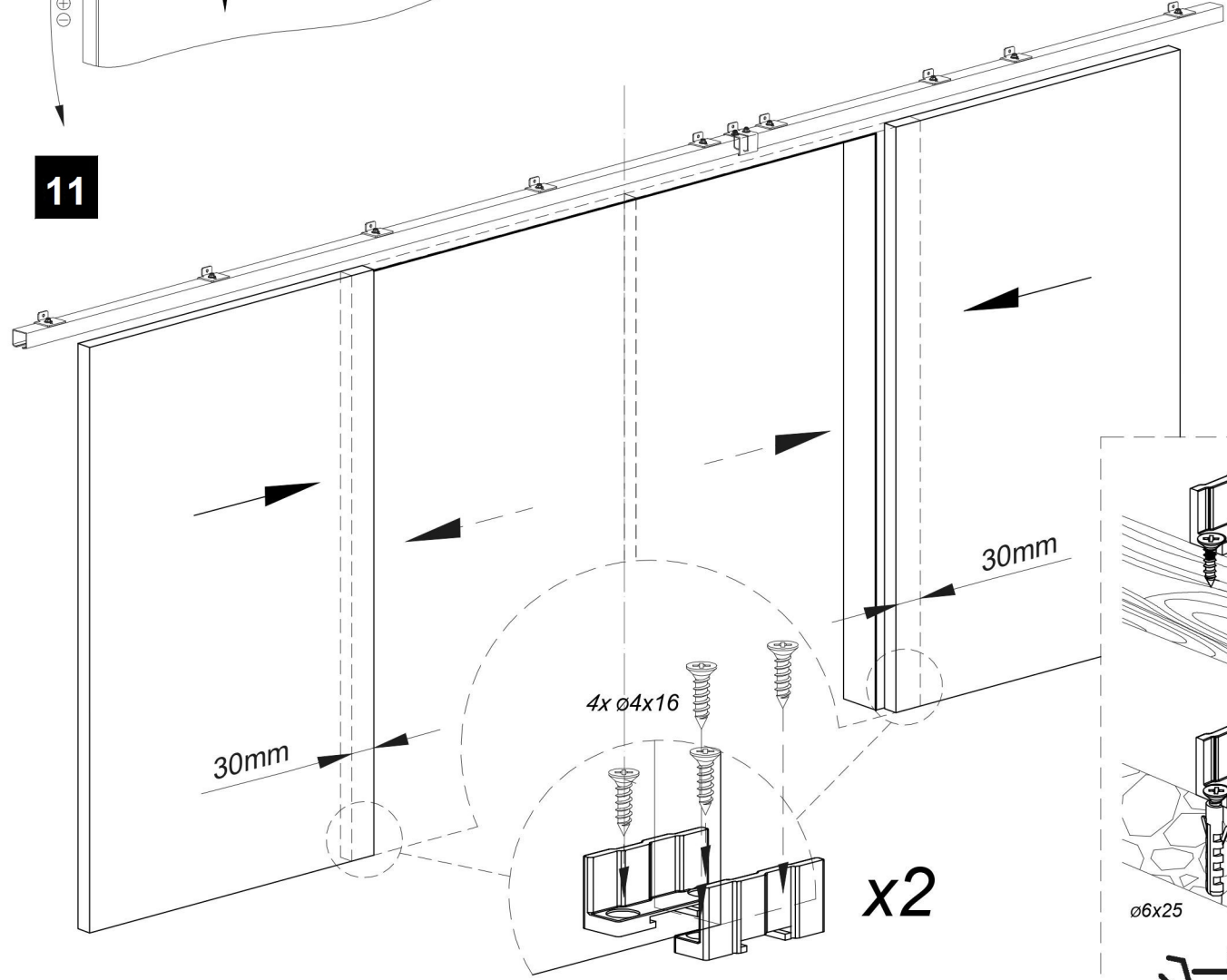
x2



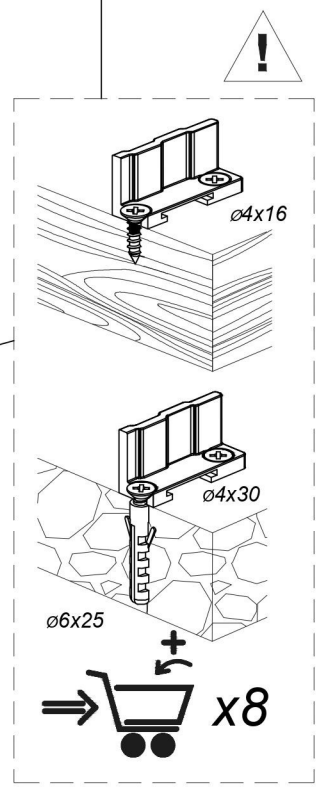
x2

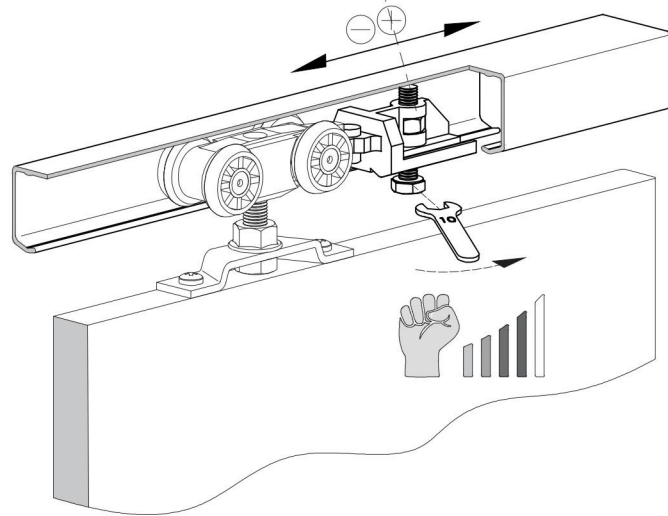
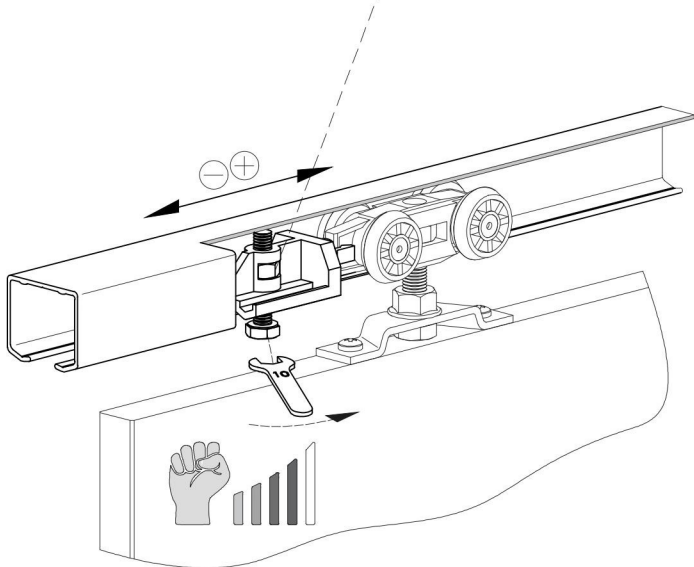
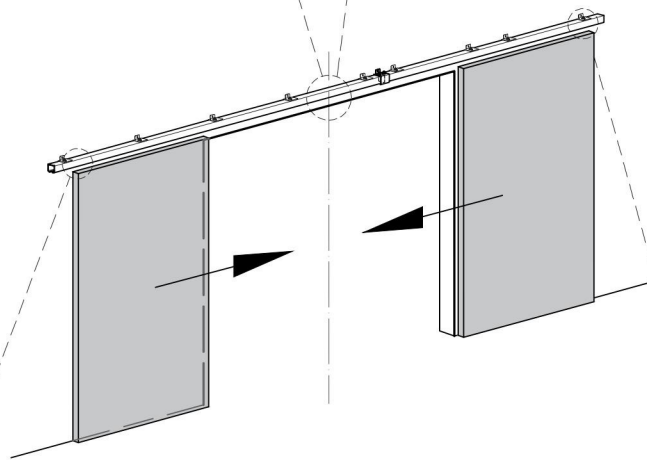
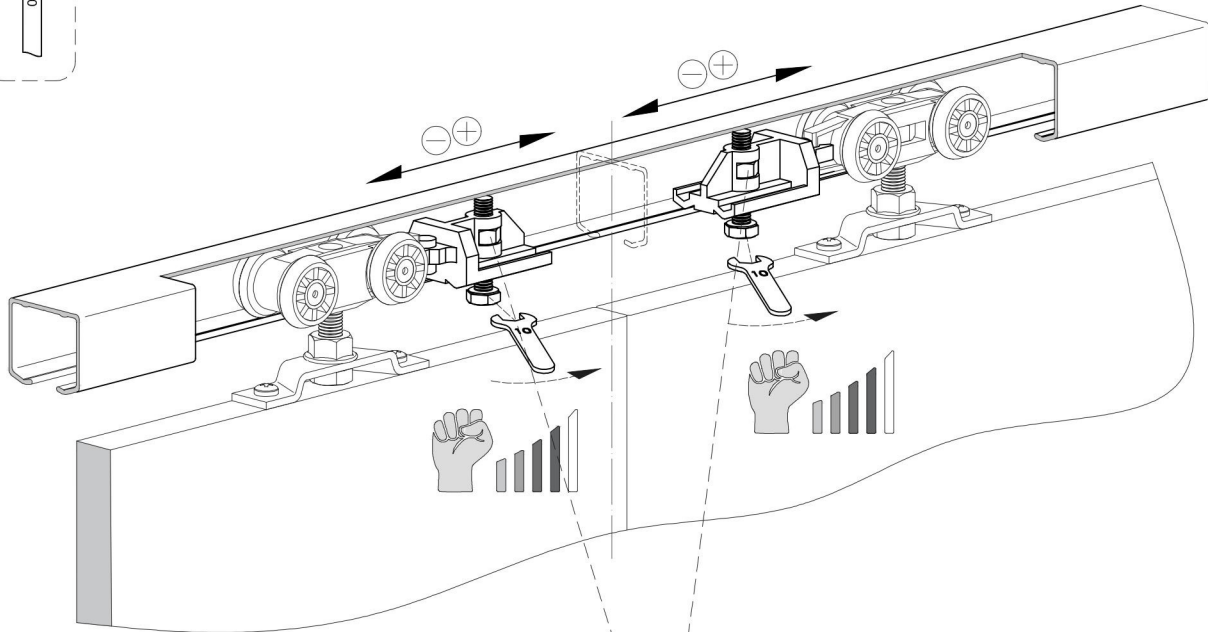


11

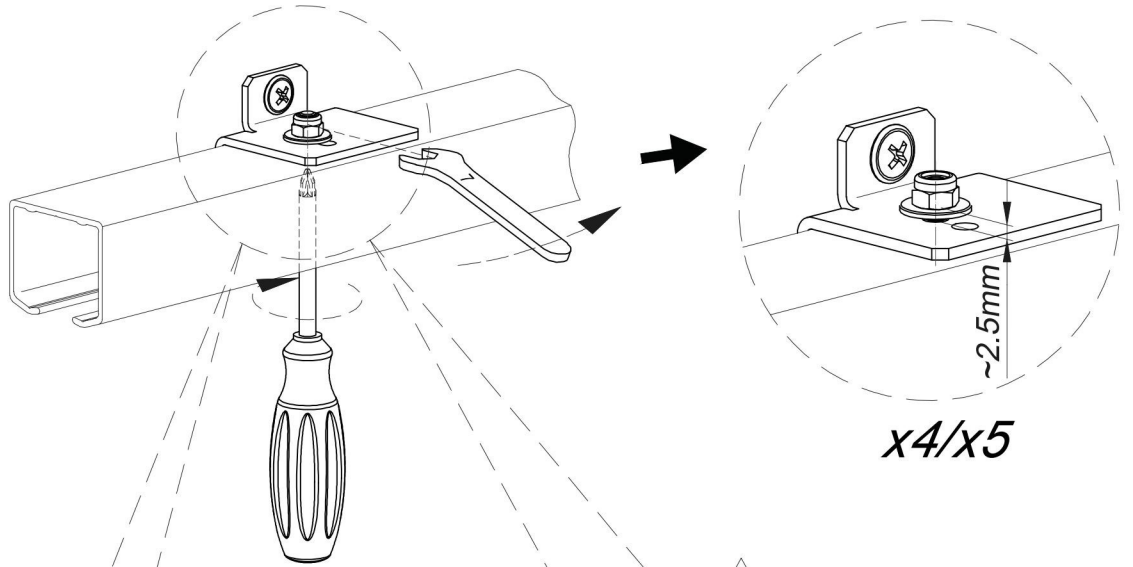
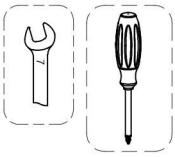


x2





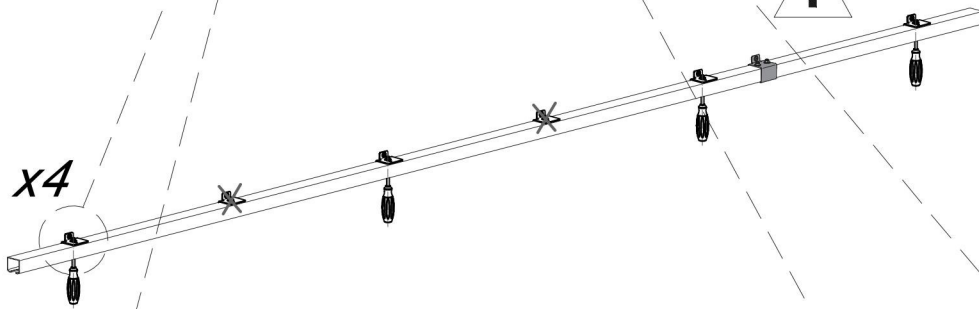
13



13a

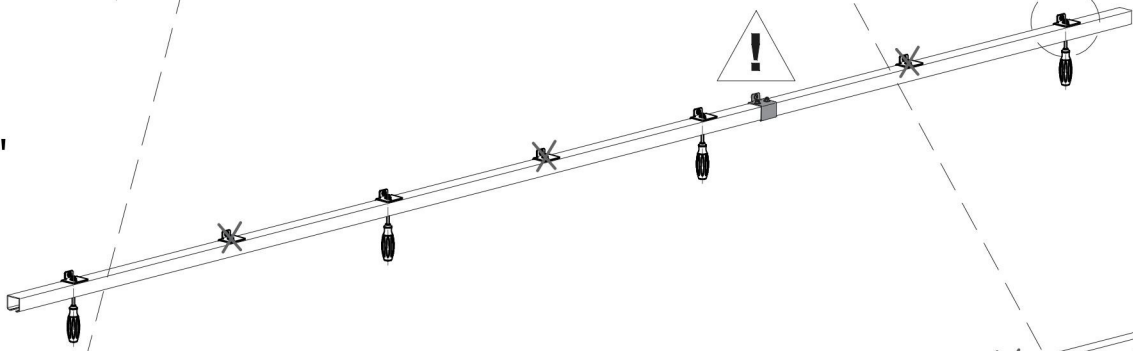
"120"

x4



13b

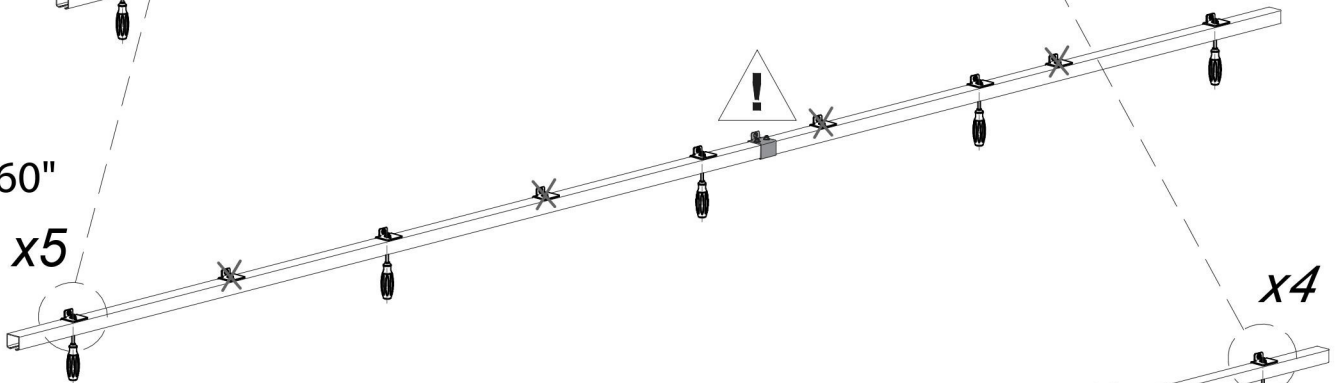
"140"



13c

"160"

x5

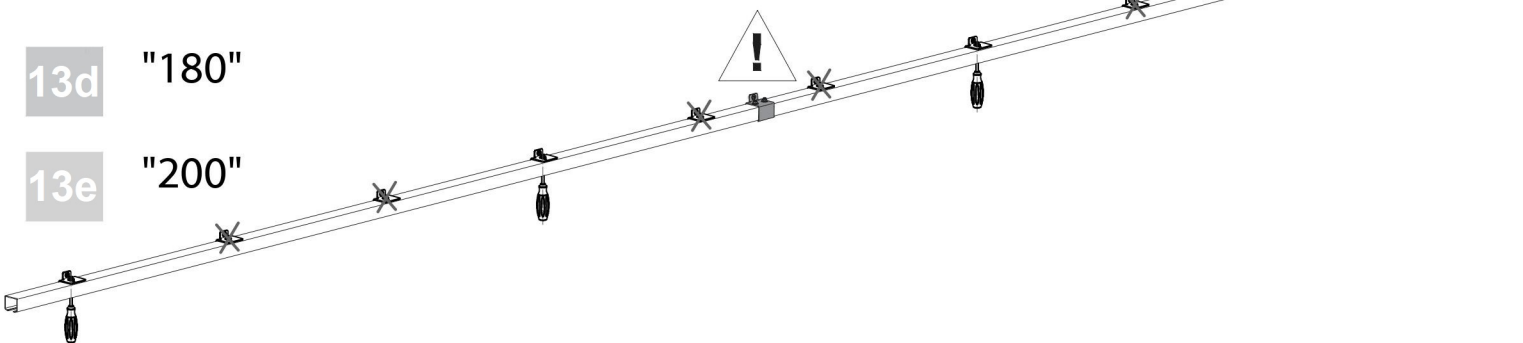


13d

"180"

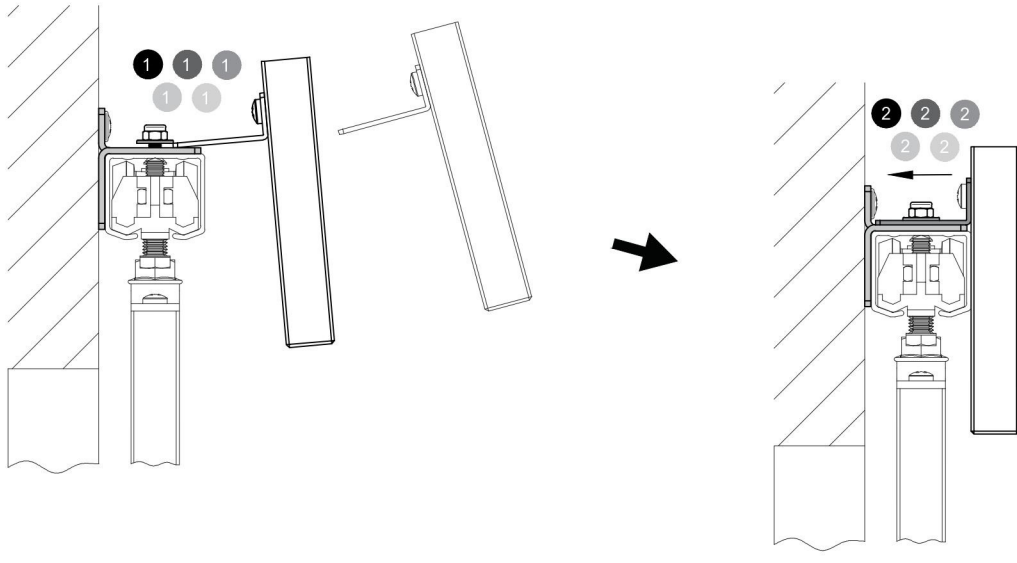
"200"

x4



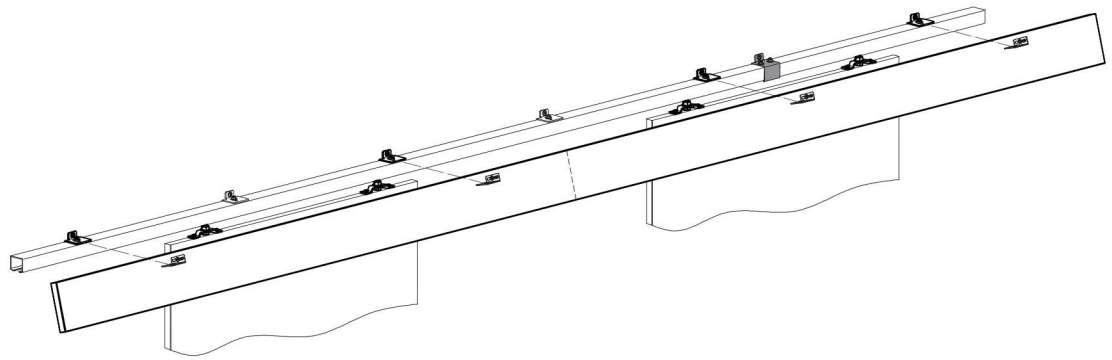
14

x4/x5



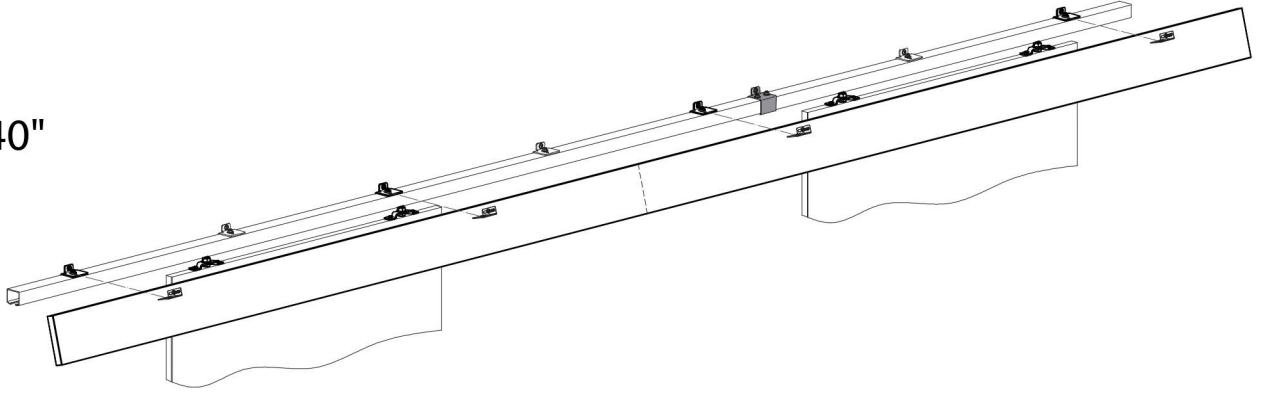
14a

"120"



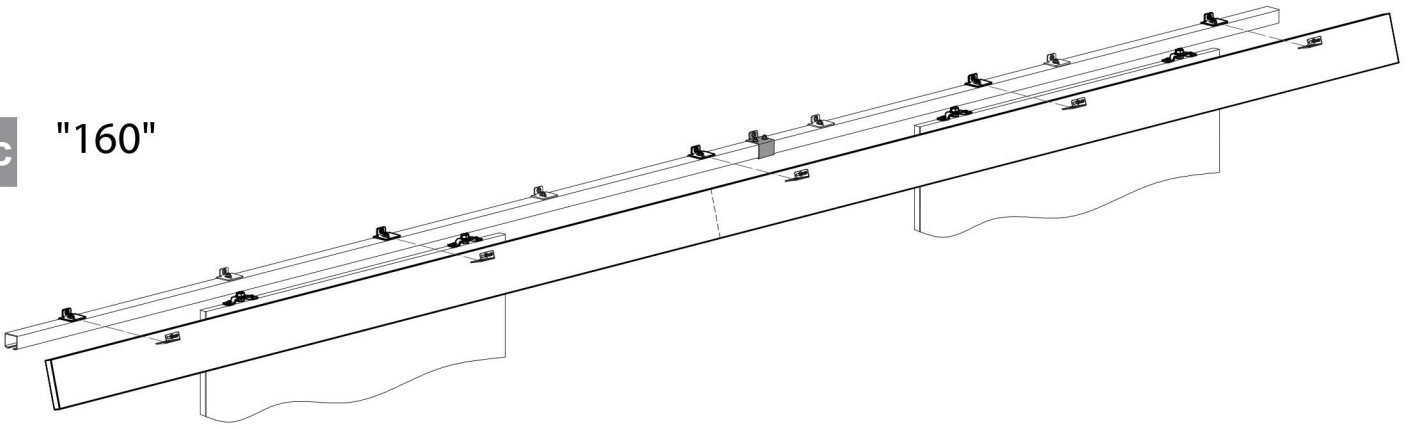
14b

"140"

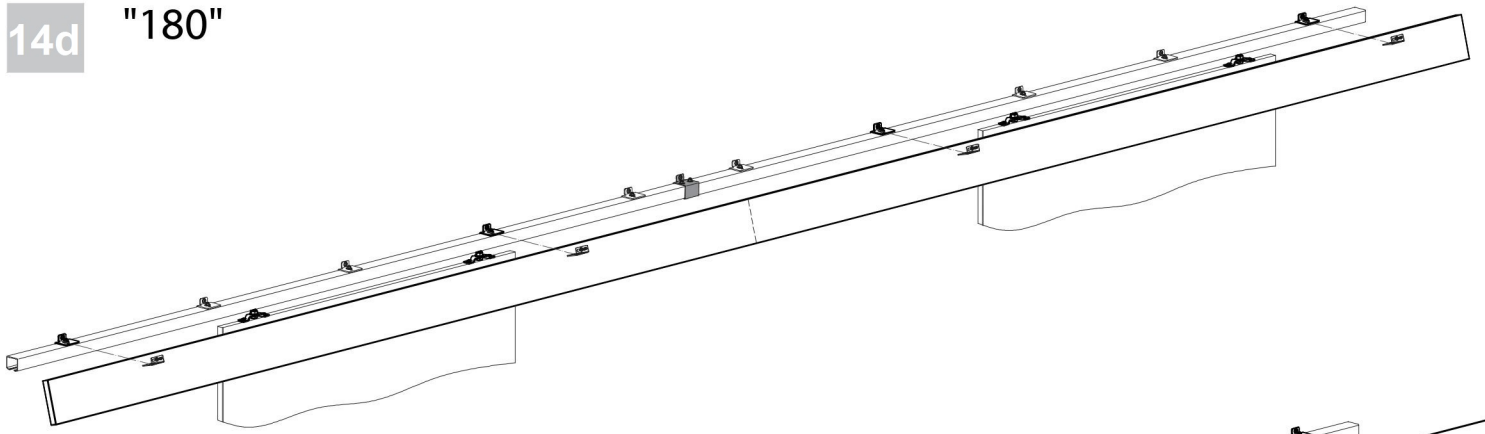


14c

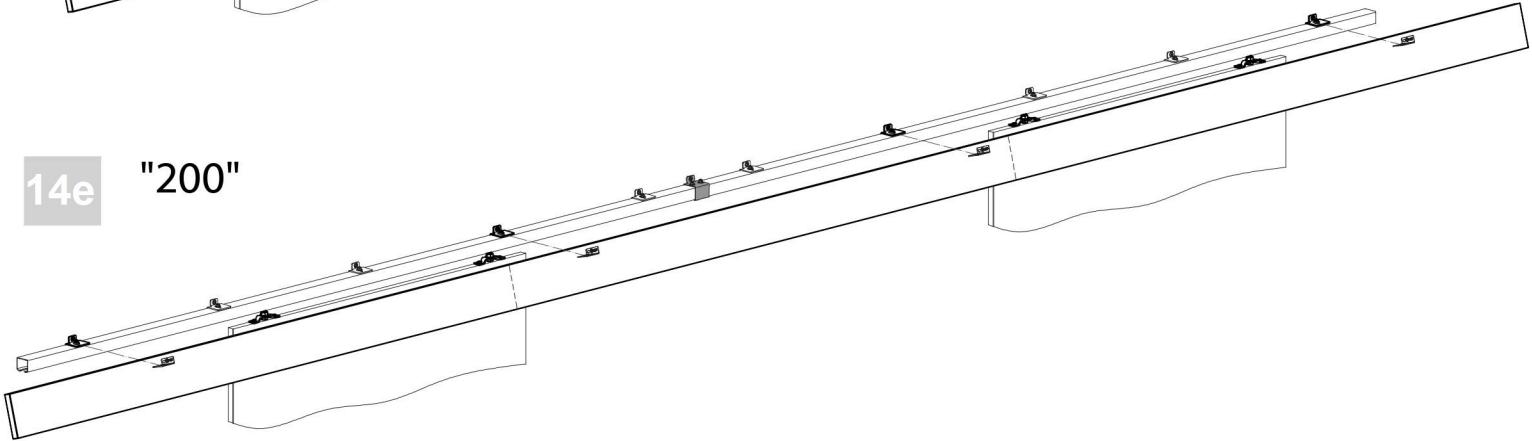
"160"



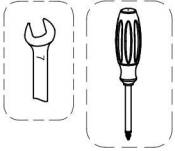
14d "180"



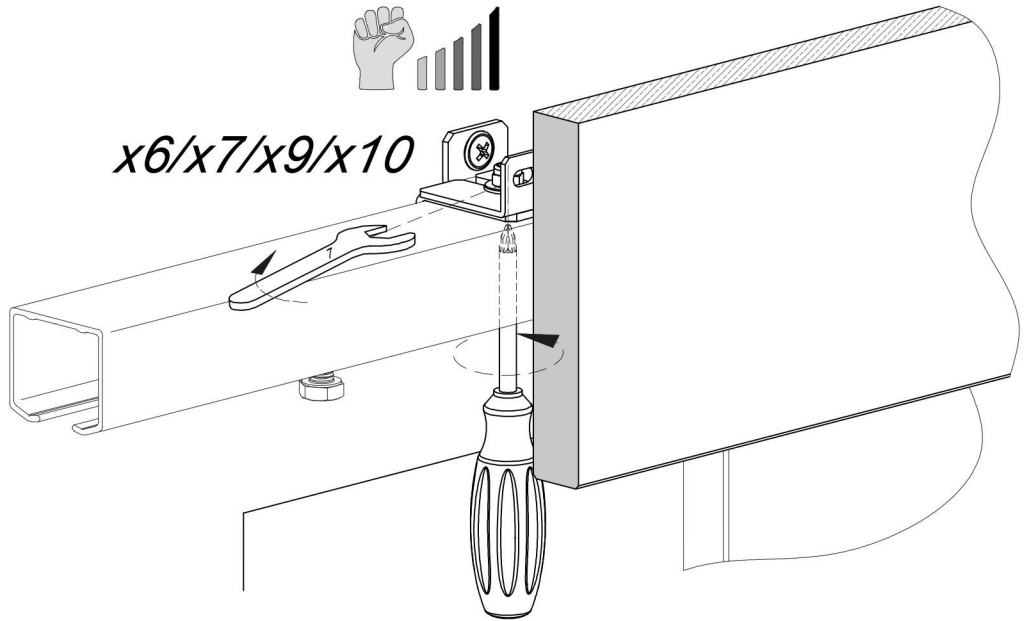
14e "200"



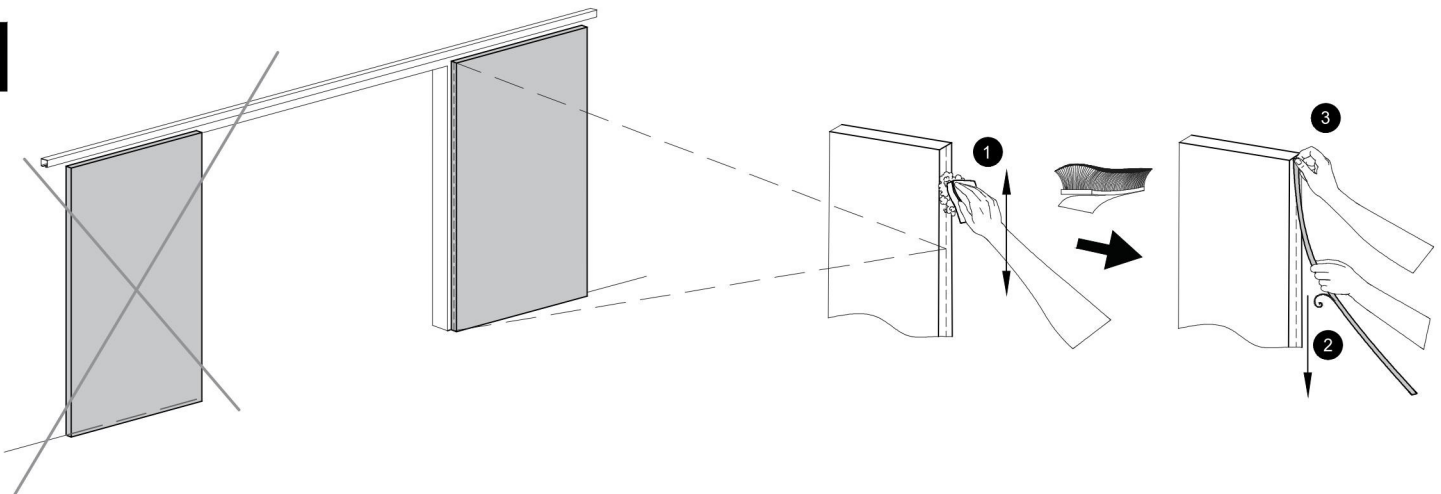
15



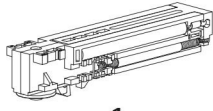
x6/x7/x9/x10



16



Additional option



x1



x1



x2



#2
x1

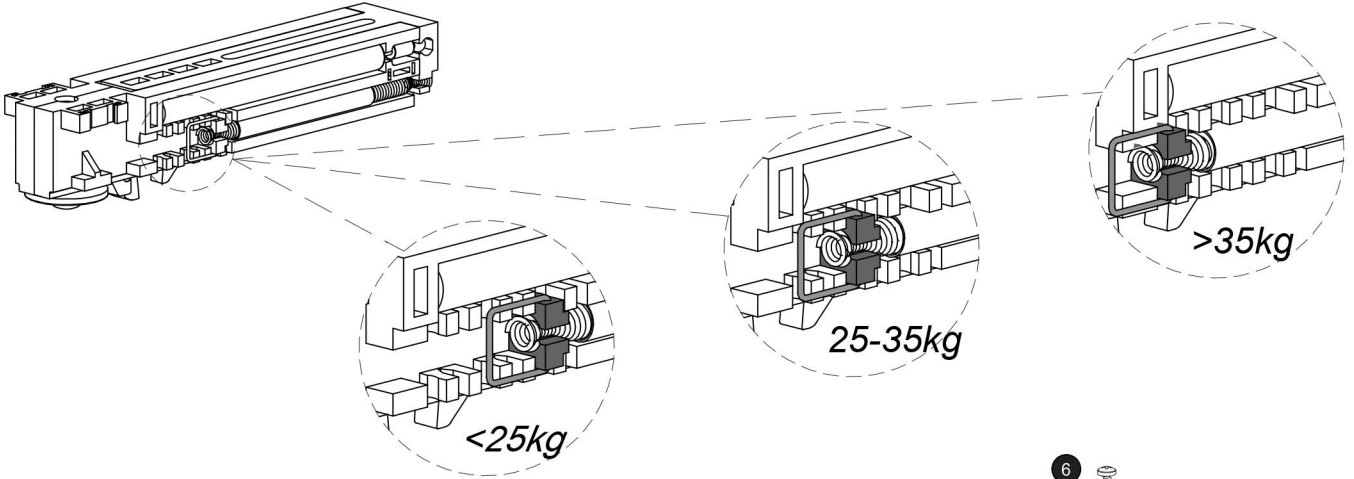


#2.5
x1

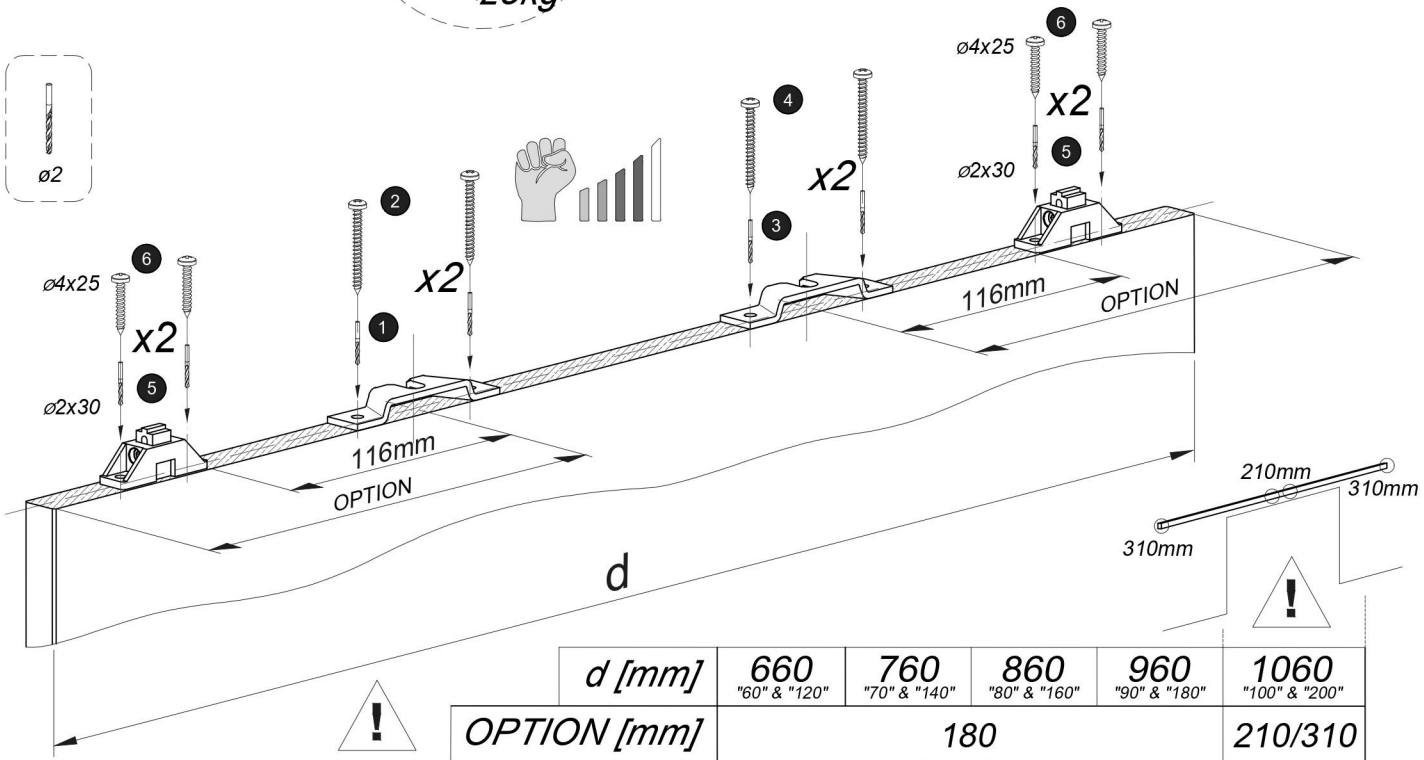


#4
x1

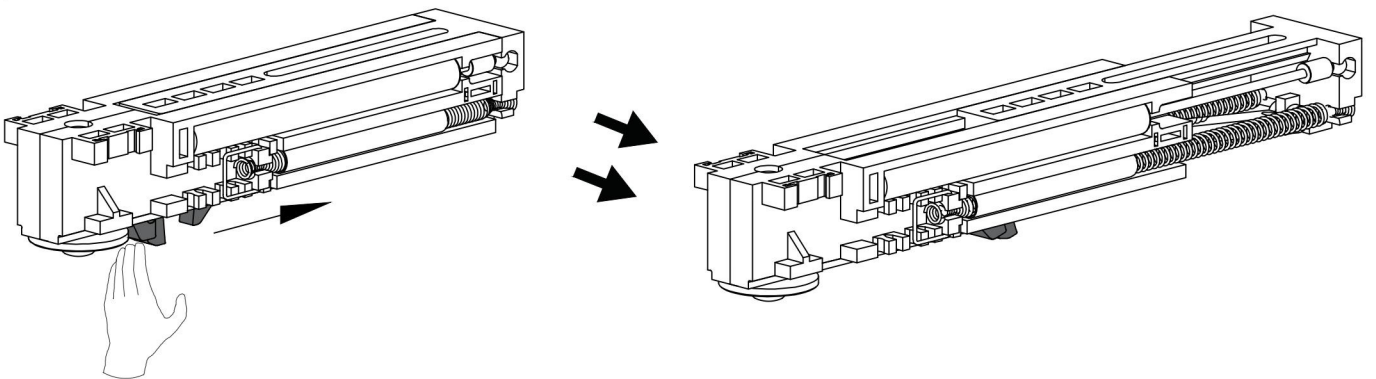
1



2



3



Additional option

