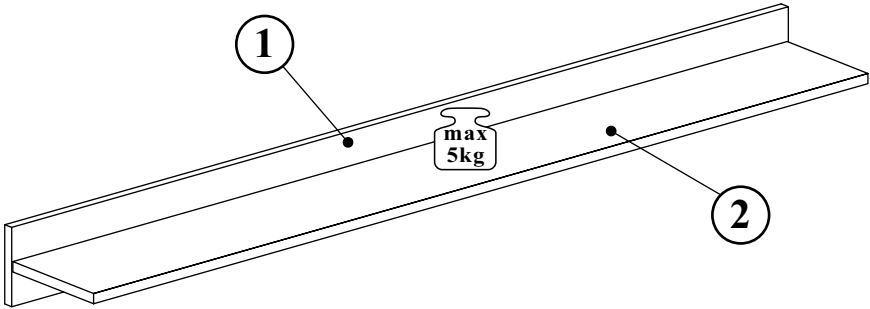
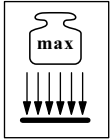
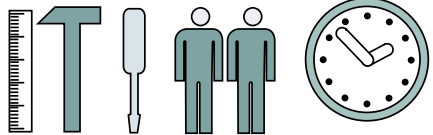


PLANK 29_PNPW



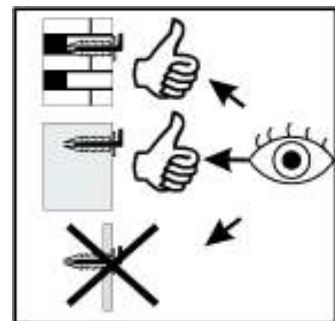
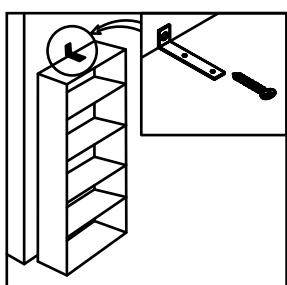
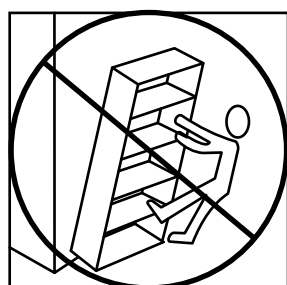
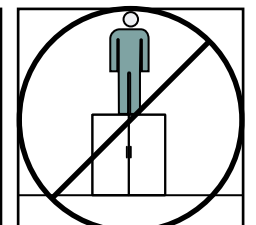
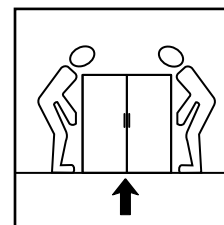
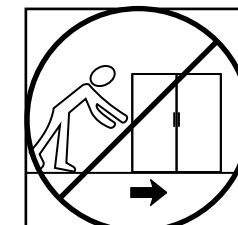
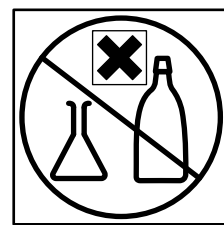
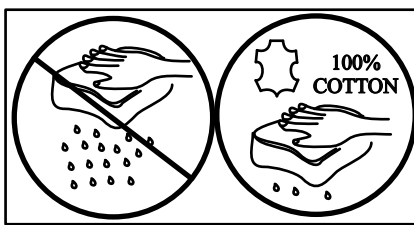
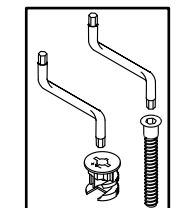
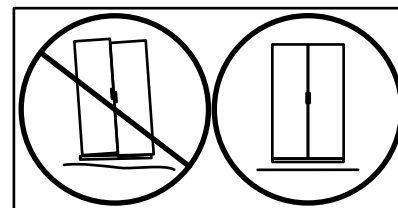
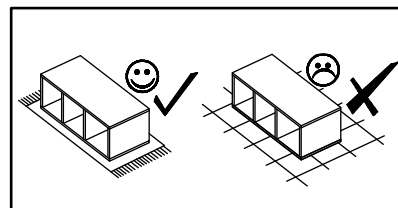
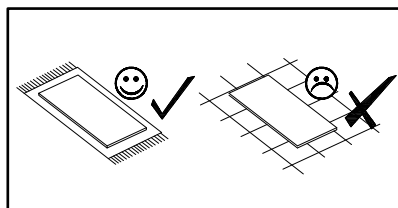
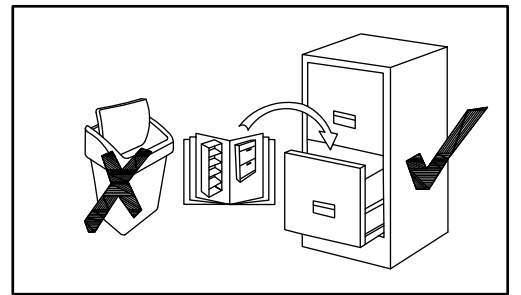
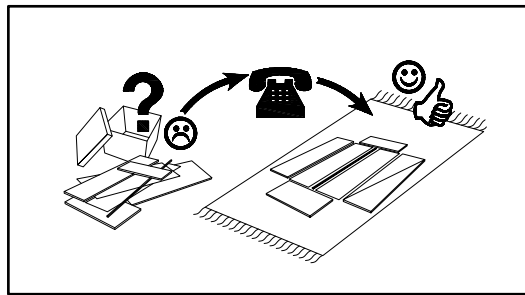
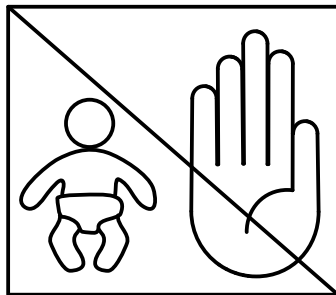
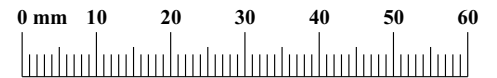
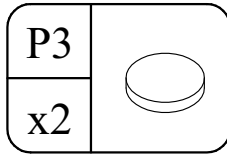
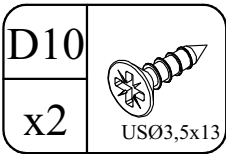
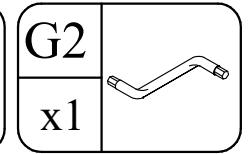
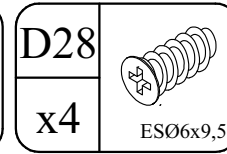
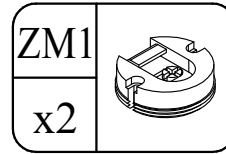
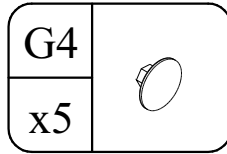
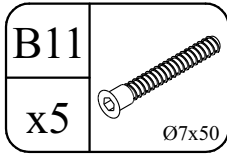
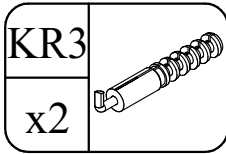
NO	Dim.			Col-No	Qty
1	1500	124	16	1	1
2	1496	184	16	1	1



30 min

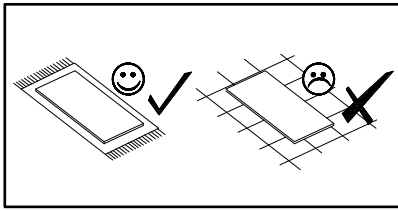


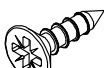
PLANK 29_PNPW

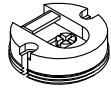



PLANK 29_PNPW

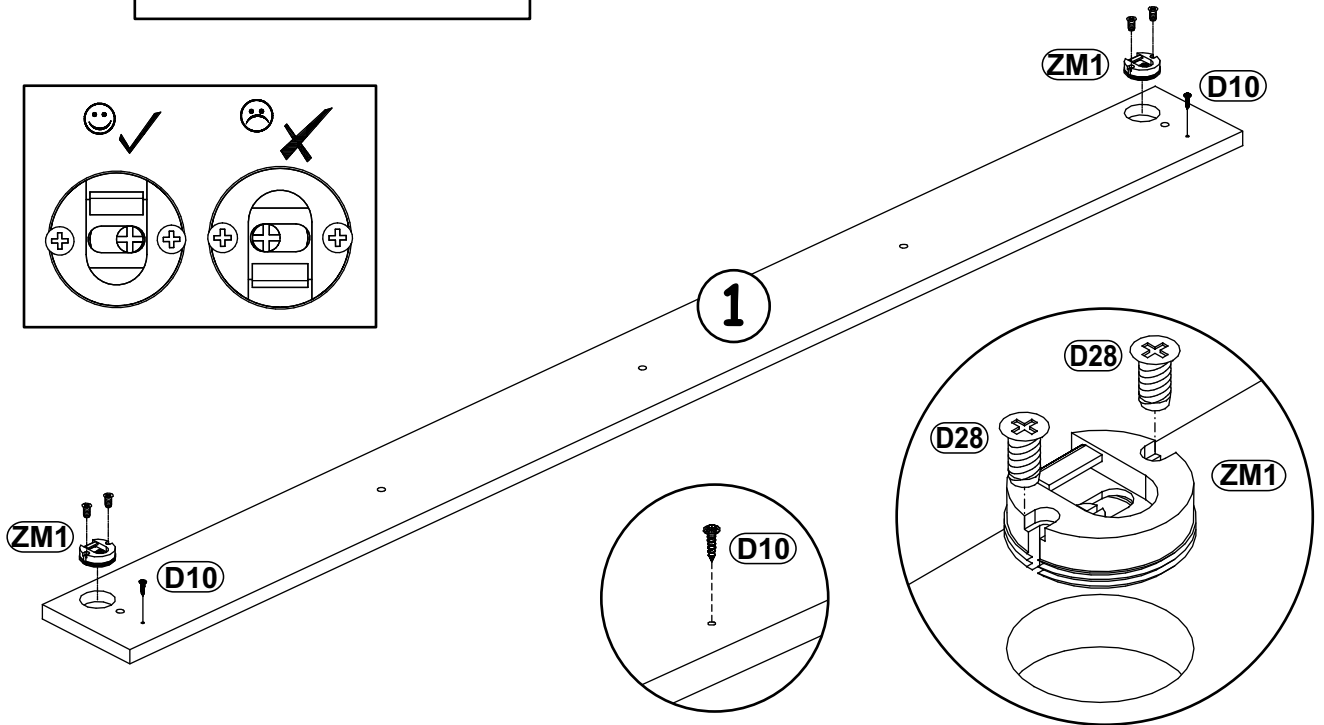
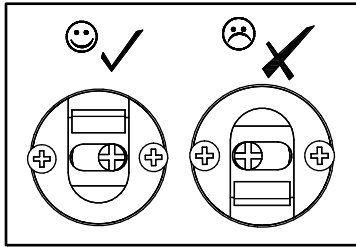
1



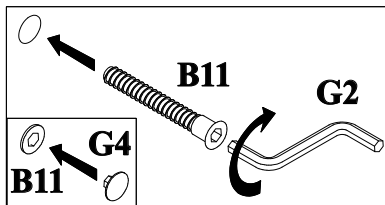
D10	
x2	USØ3,5x13


ZM1	
x2	


D28	
x4	ESØ6x9,5

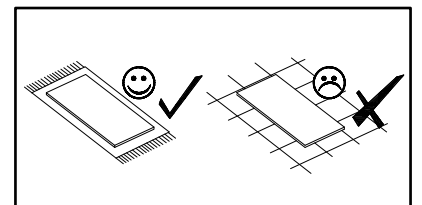
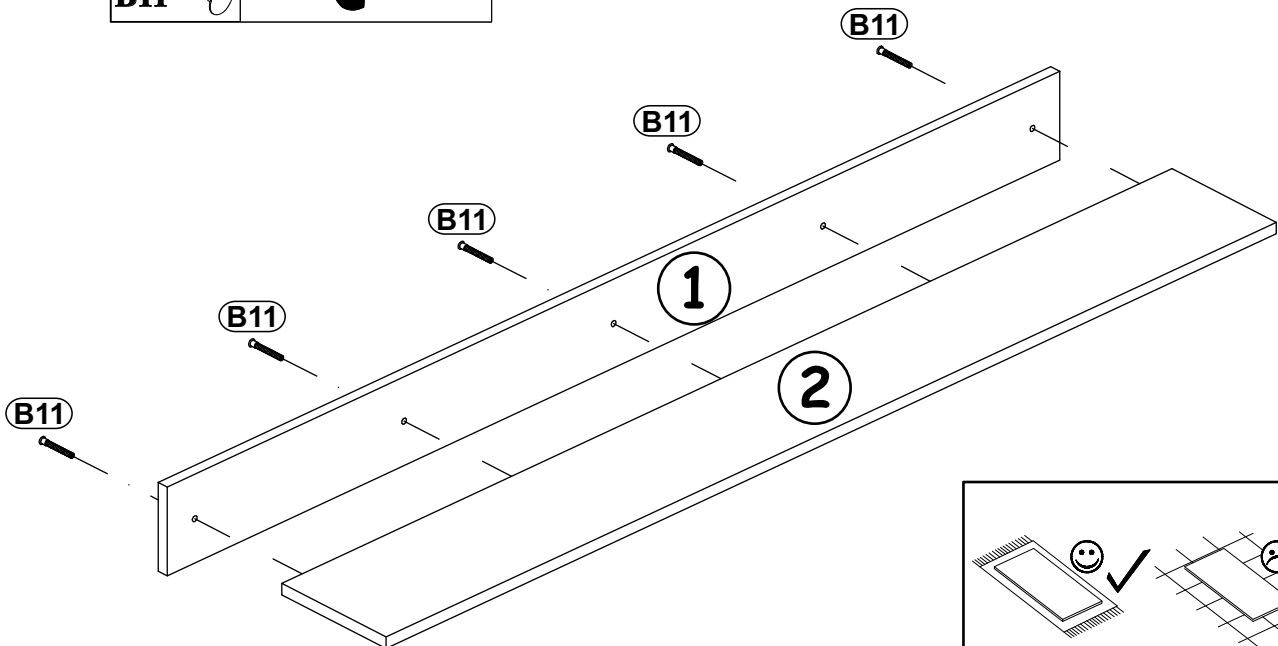


2

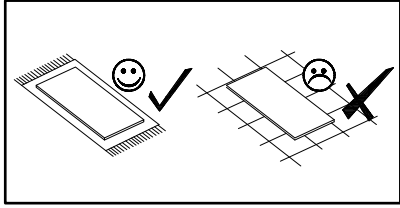


B11	
x5	Ø7x50

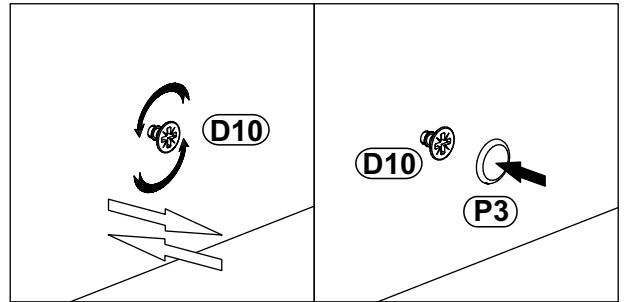
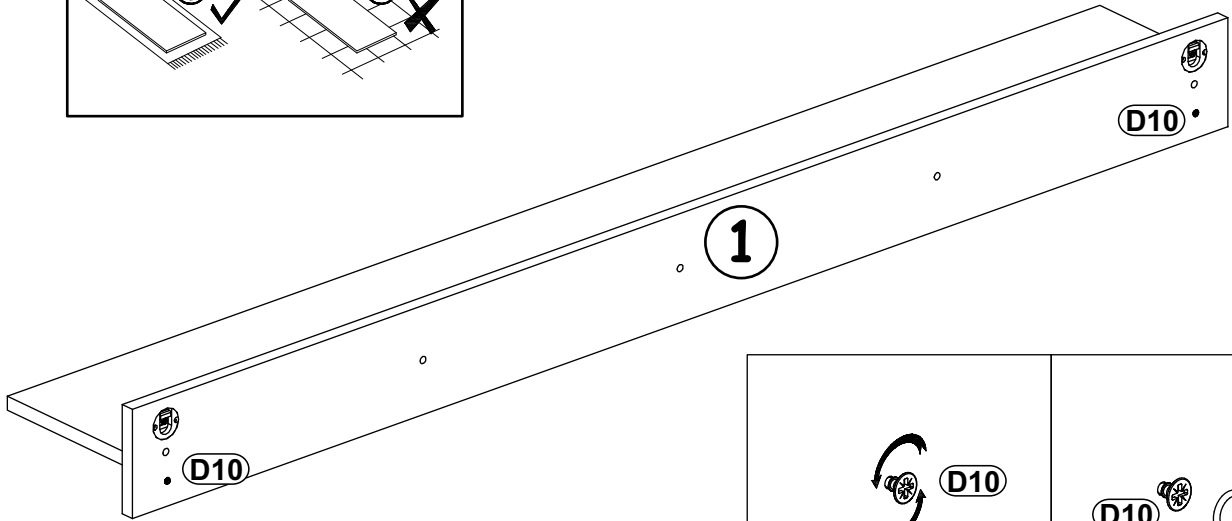
G4	
x5	



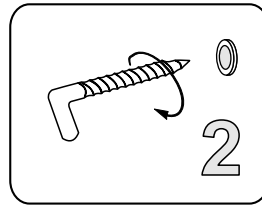
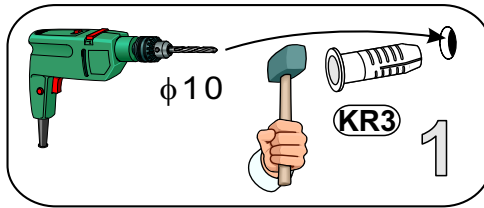
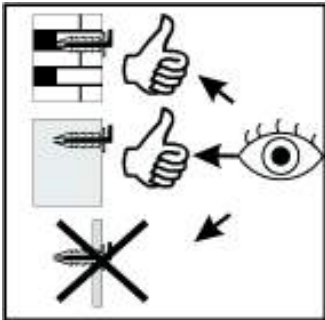
3



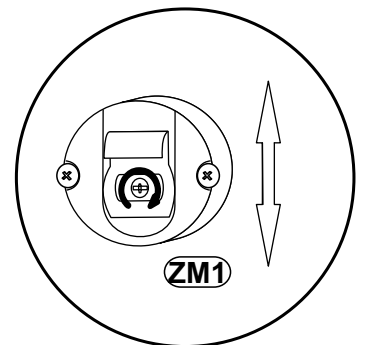
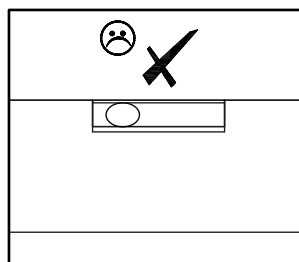
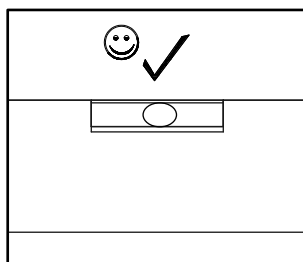
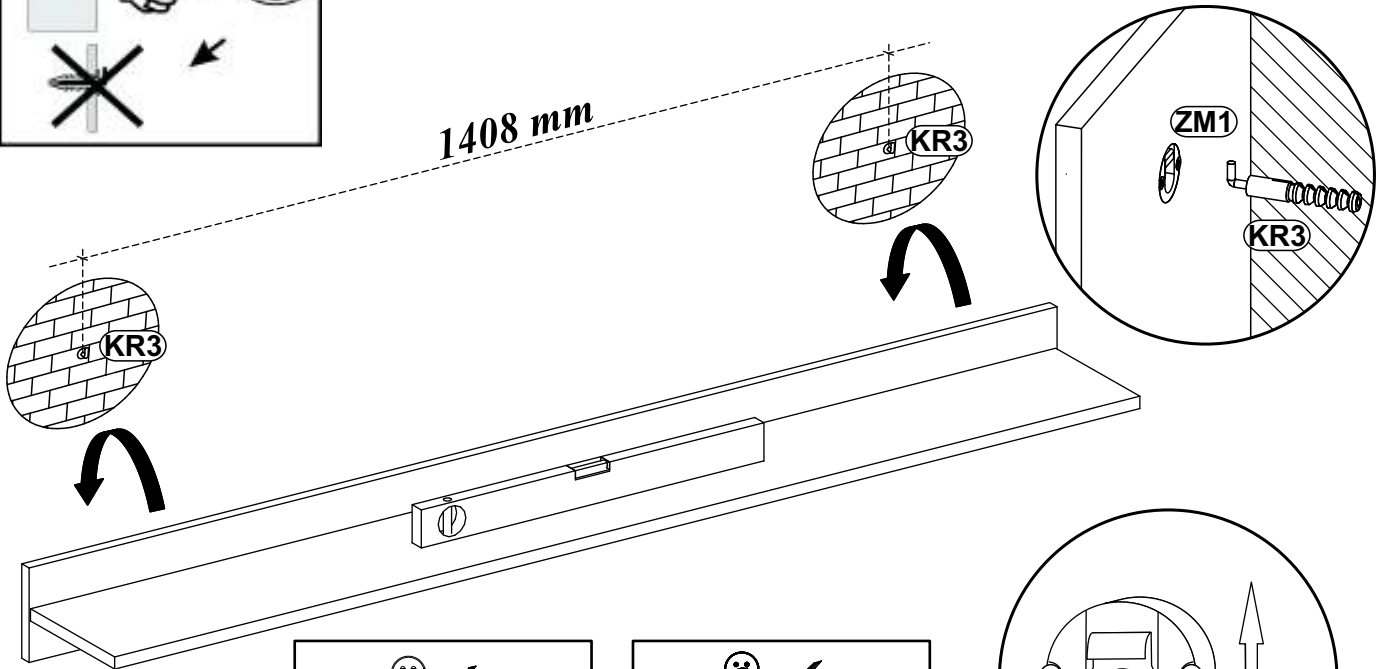
P3	
x2	



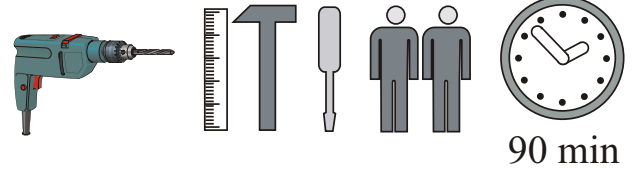
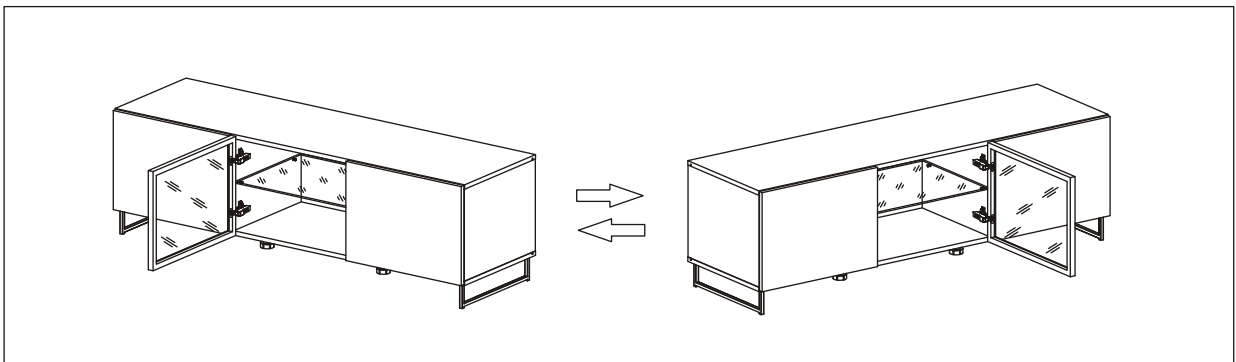
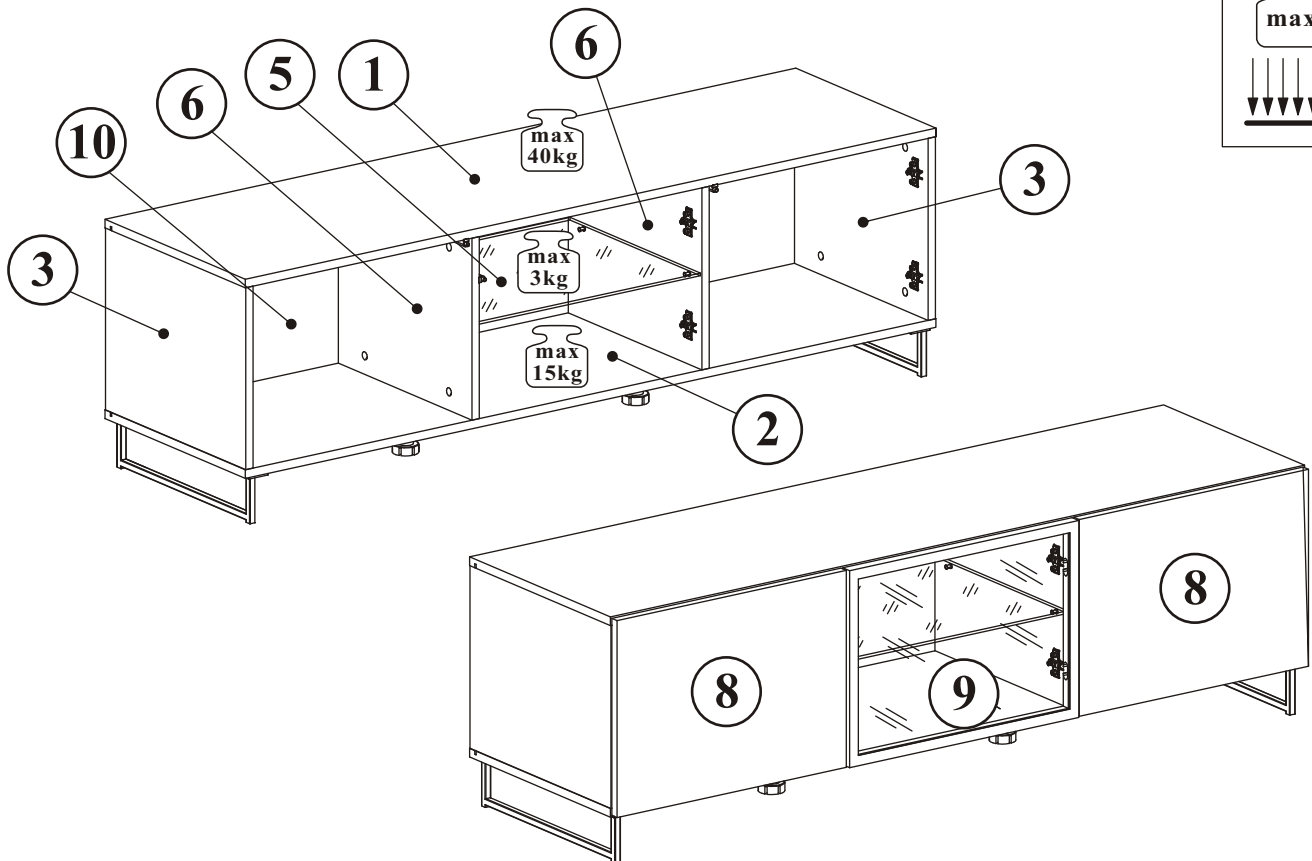
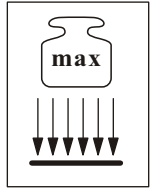
4



KR3	
x2	Ø10



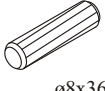
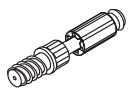


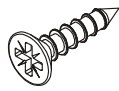
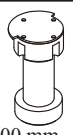
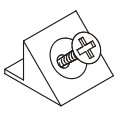
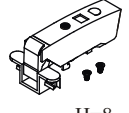
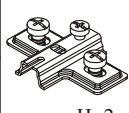
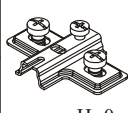
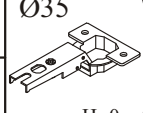
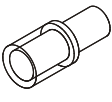


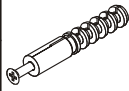
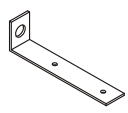
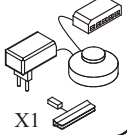


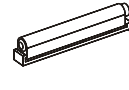
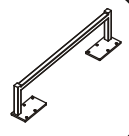
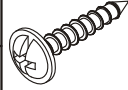
PLANK 29_PNRTV

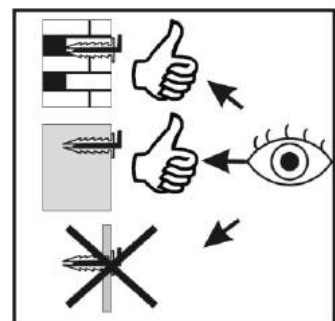
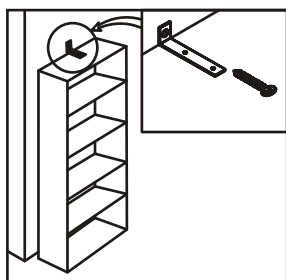
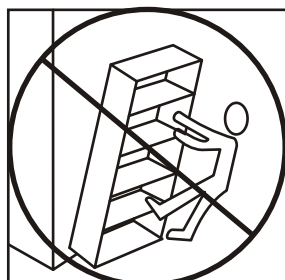
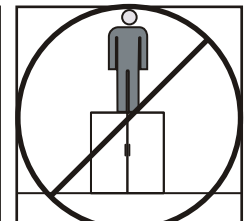
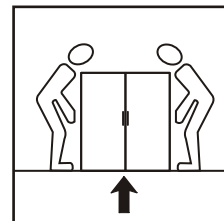
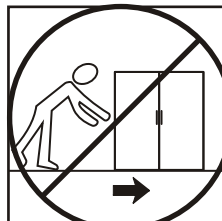
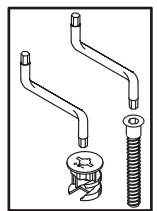
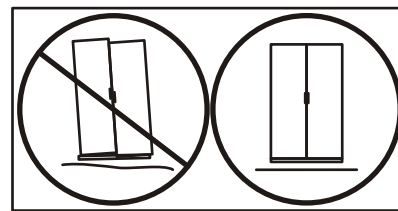
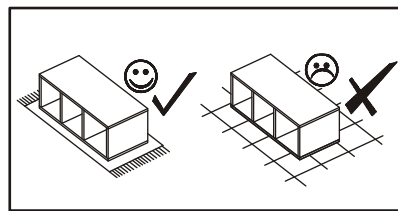
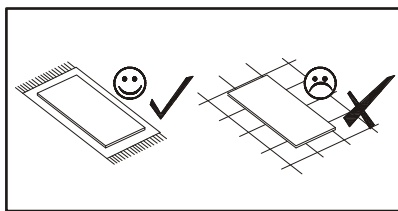
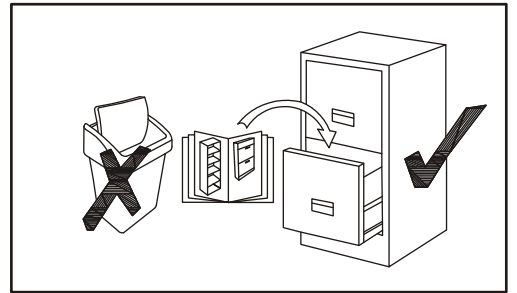
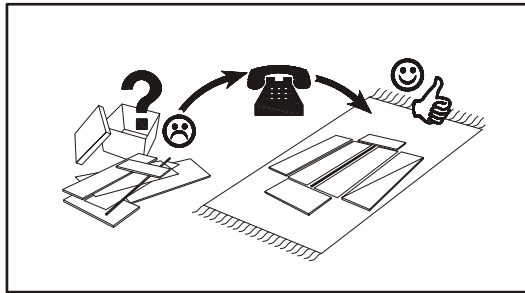
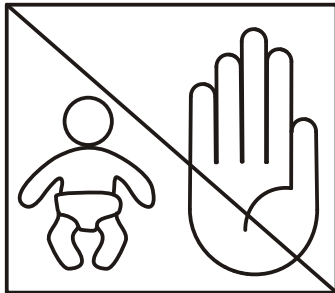
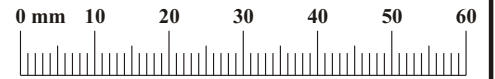


90 min

NO	Dim.			Col-No	Qty
1	1502	426	16	2	1
2	1502	426	16	2	1
3	338	426	16	1	2
5	483	396	5	2	1
6	338	406	16	1	2
8	496	364	16	1	2
9	496	364	21	1	1
10	1480	350	3	2	1

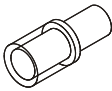
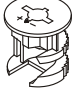
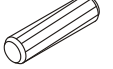
PLANK 29_PNRTV

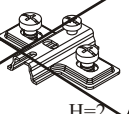
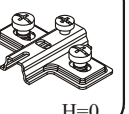
A1 x16  ø8x36	B4 x16 	B5 x16  ø15x12	G5 x16 	D30 x8  USØ3,5x16	I12 x2  L-100 mm.
S1 x14 	E31 x2  H=8	E4 x2  H=2	E2 x4  H=0	E21 x4  Ø35 H=0	G20 x4 
UP13 x6  UPØ3x16	D10 x16  USØ3,5x13	KR1 x1 	L1 x1 	LED x1  x1	G2 x1 
Z2 x4  ø5	T1 x3 	ST6 x2 	UP5 x16  UPØ4x16		

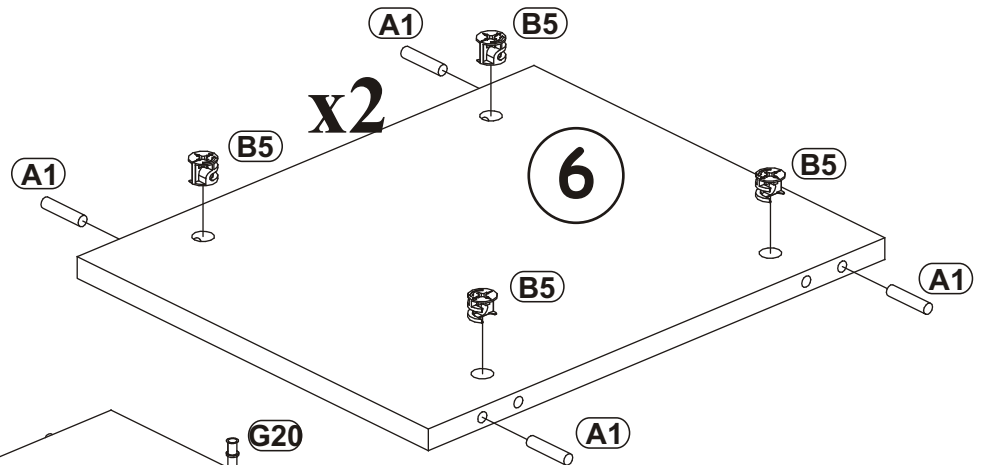
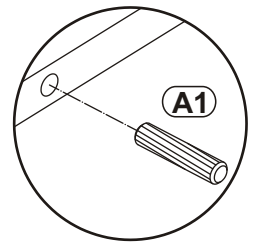
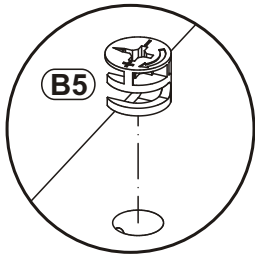
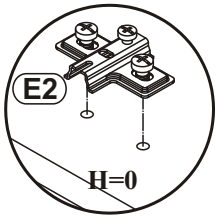
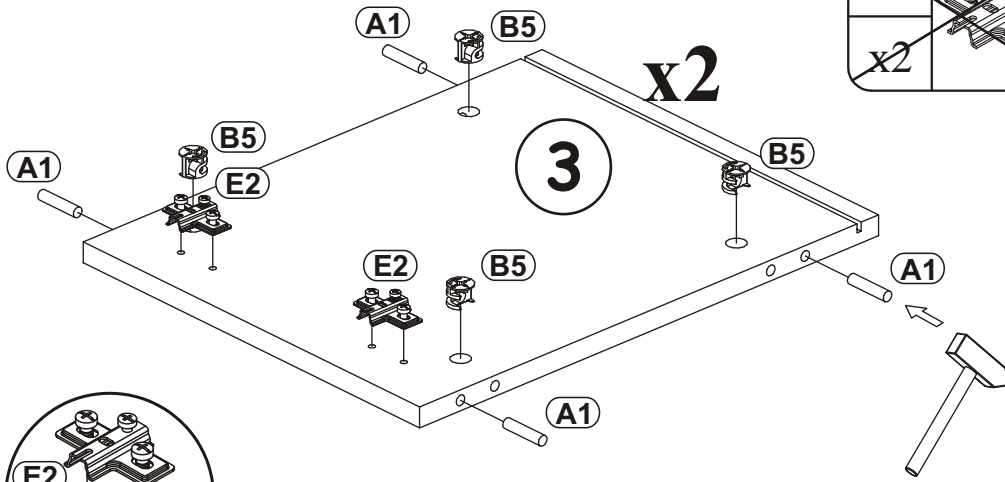


PLANK 29_PNRTV

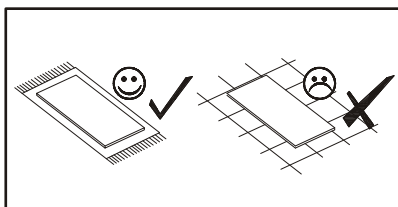
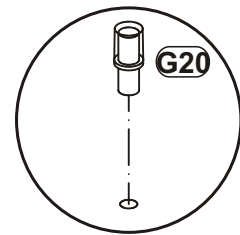
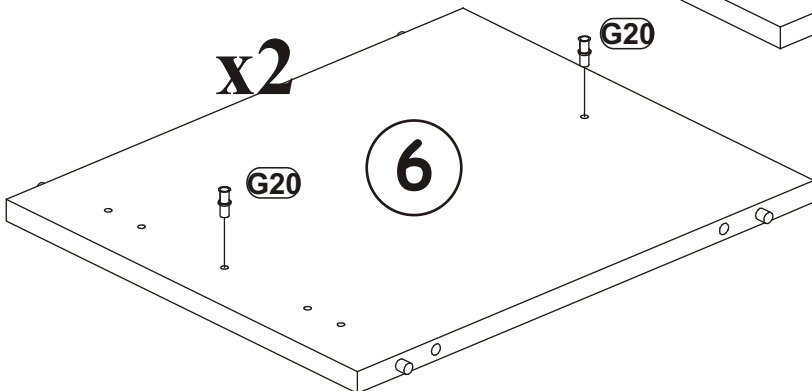
1

G20 x4		B5 x16	 ø15x12	A1 x16	 ø8x36
-----------	--	-----------	---	-----------	--

E4 x2	 H=2	E2 x4	 H=0
----------------------	--	----------	--

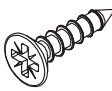



180°

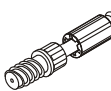


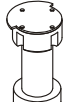
PLANK 29_PNRTV

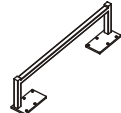
2

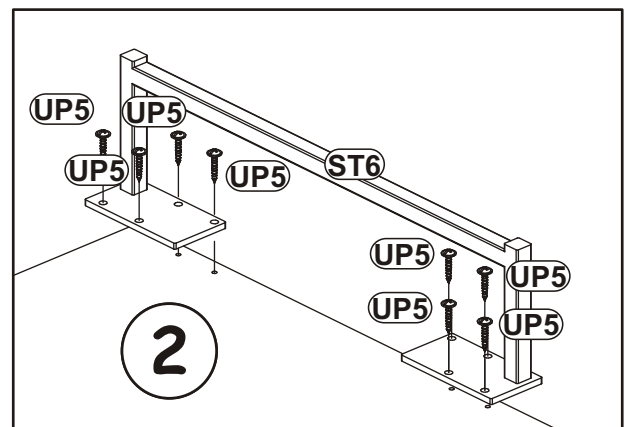
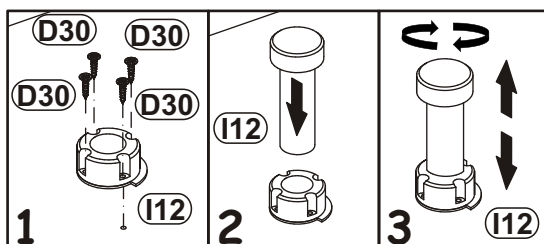
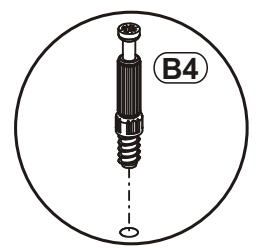
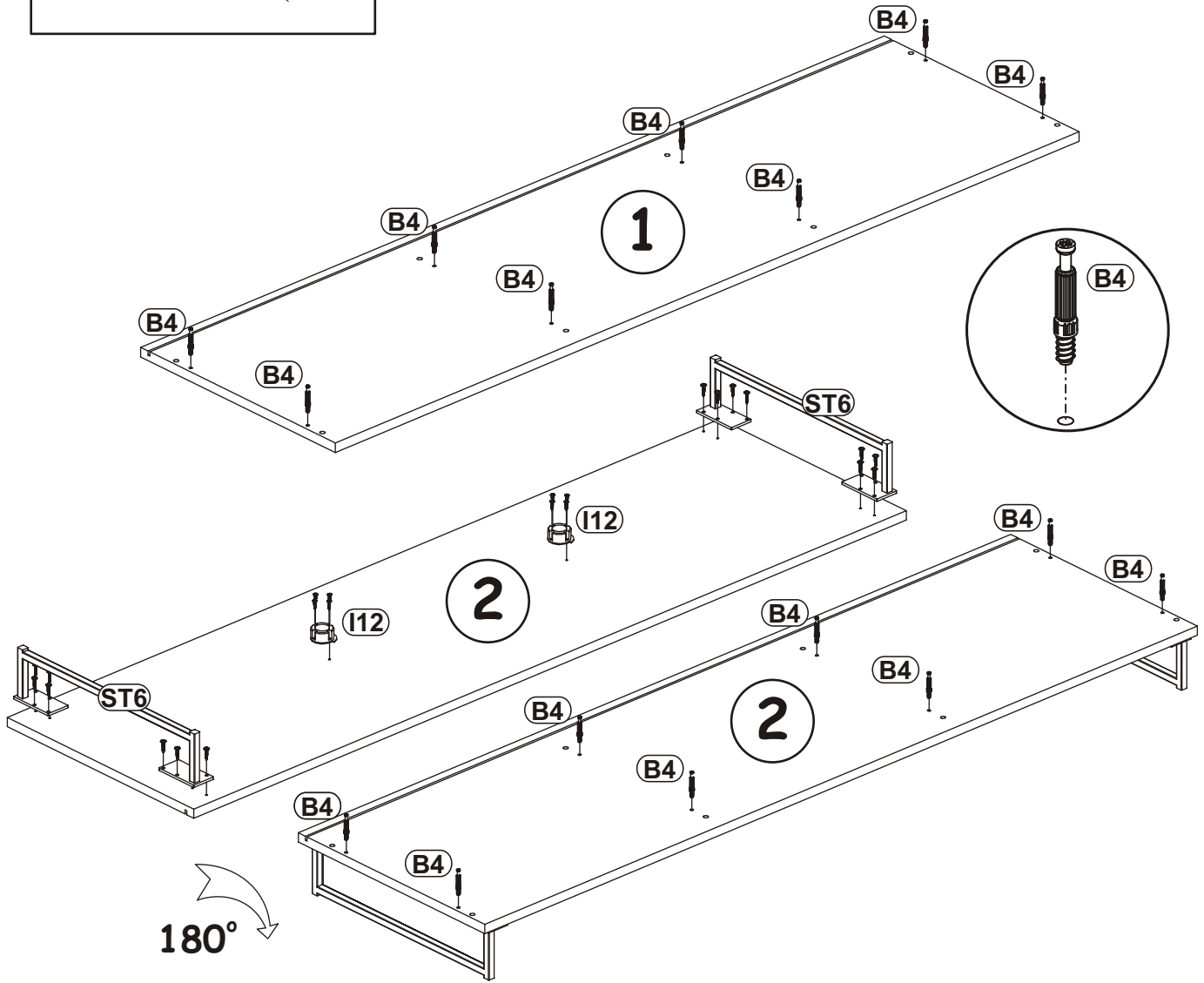
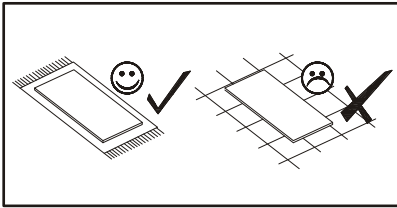
D30	
x8	USØ3,5x16

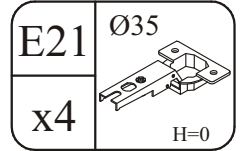
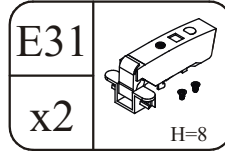
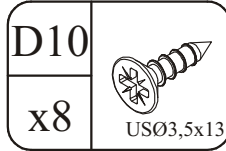
UP5	
x16	UPØ4x16

B4	
x16	

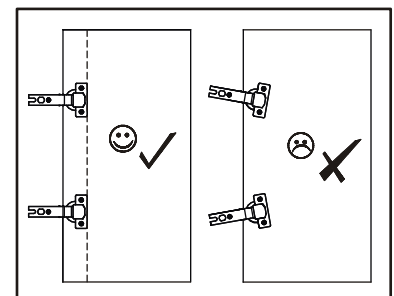
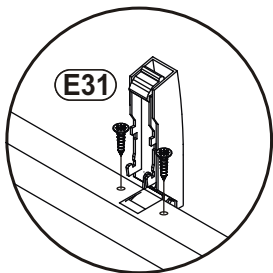
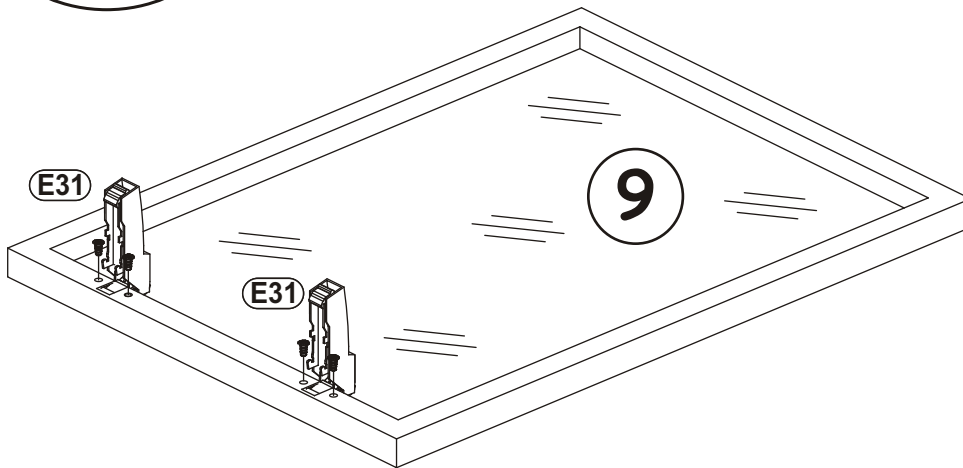
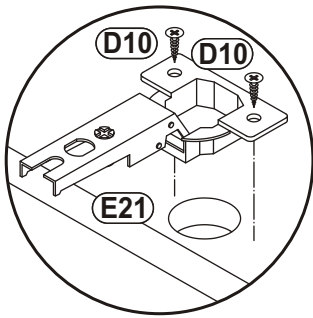
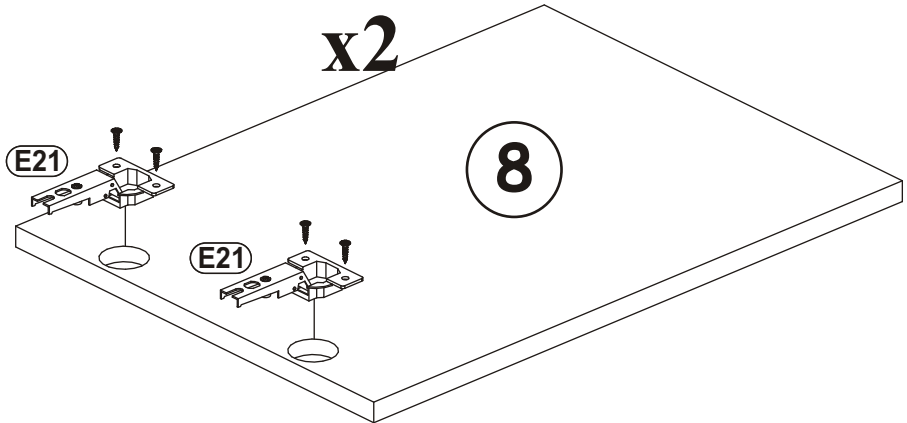
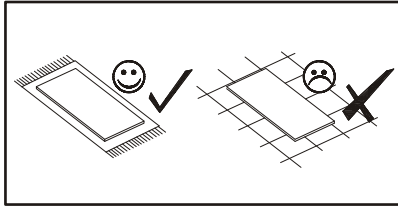
I12	
x2	L-100 mm.

ST6	
x2	




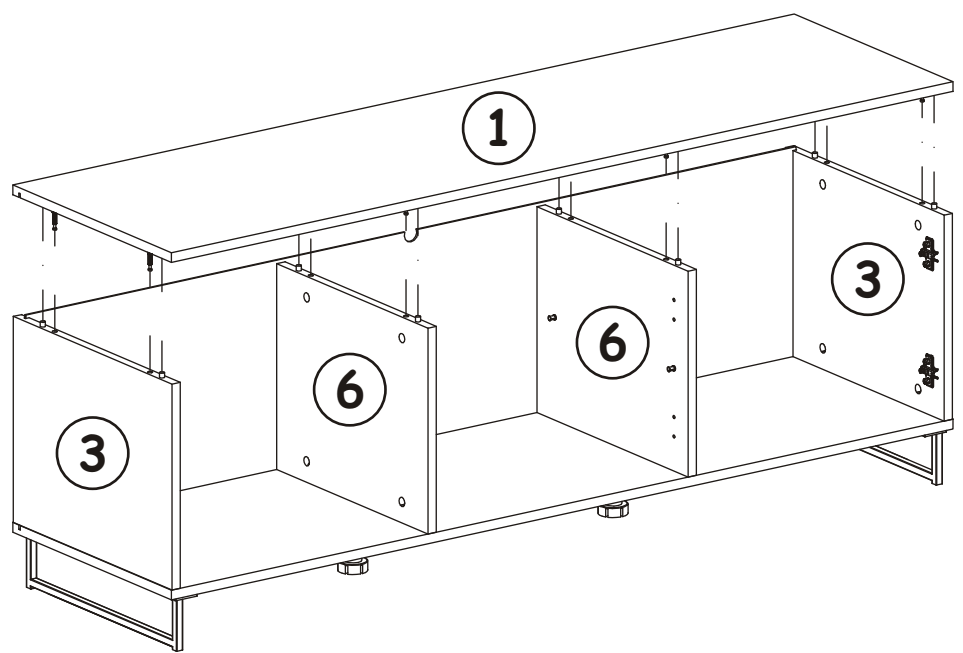
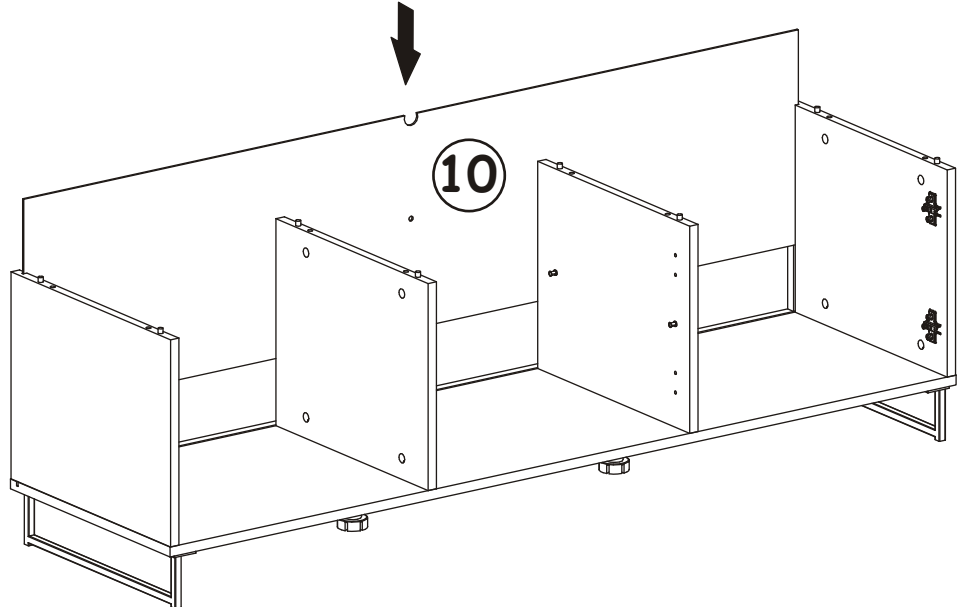
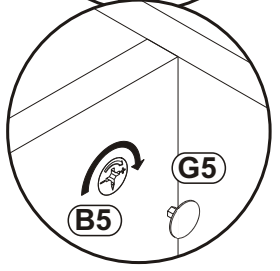
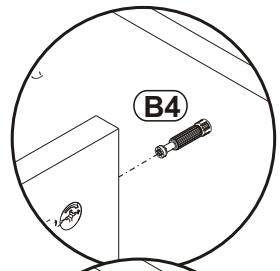
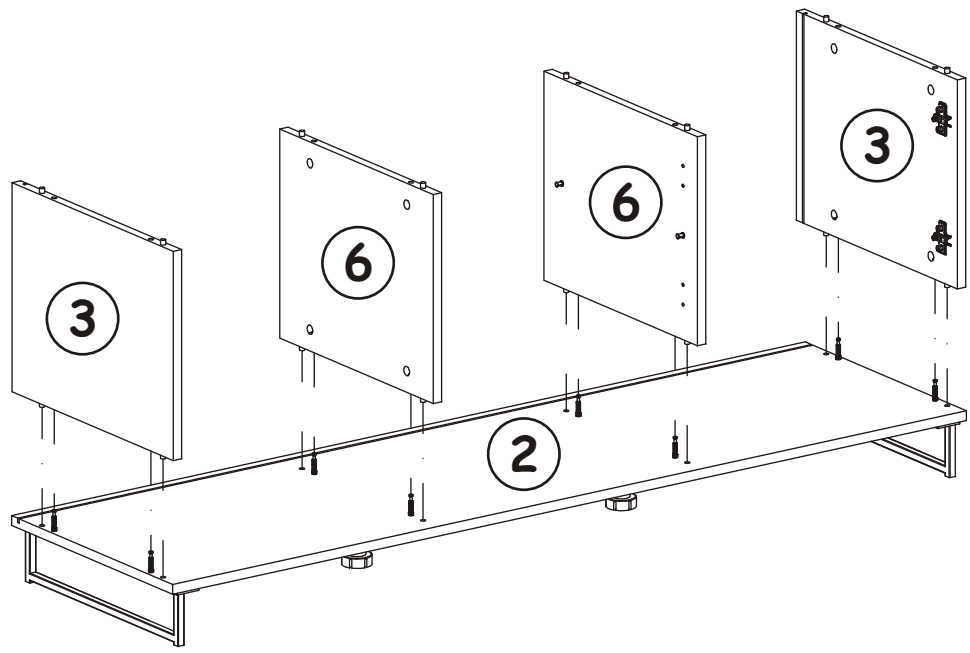


3

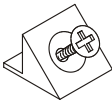



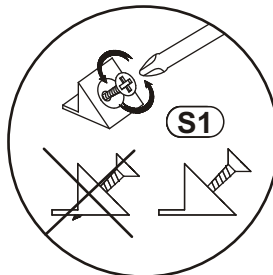
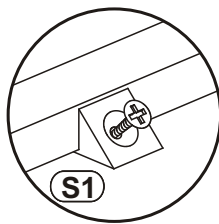
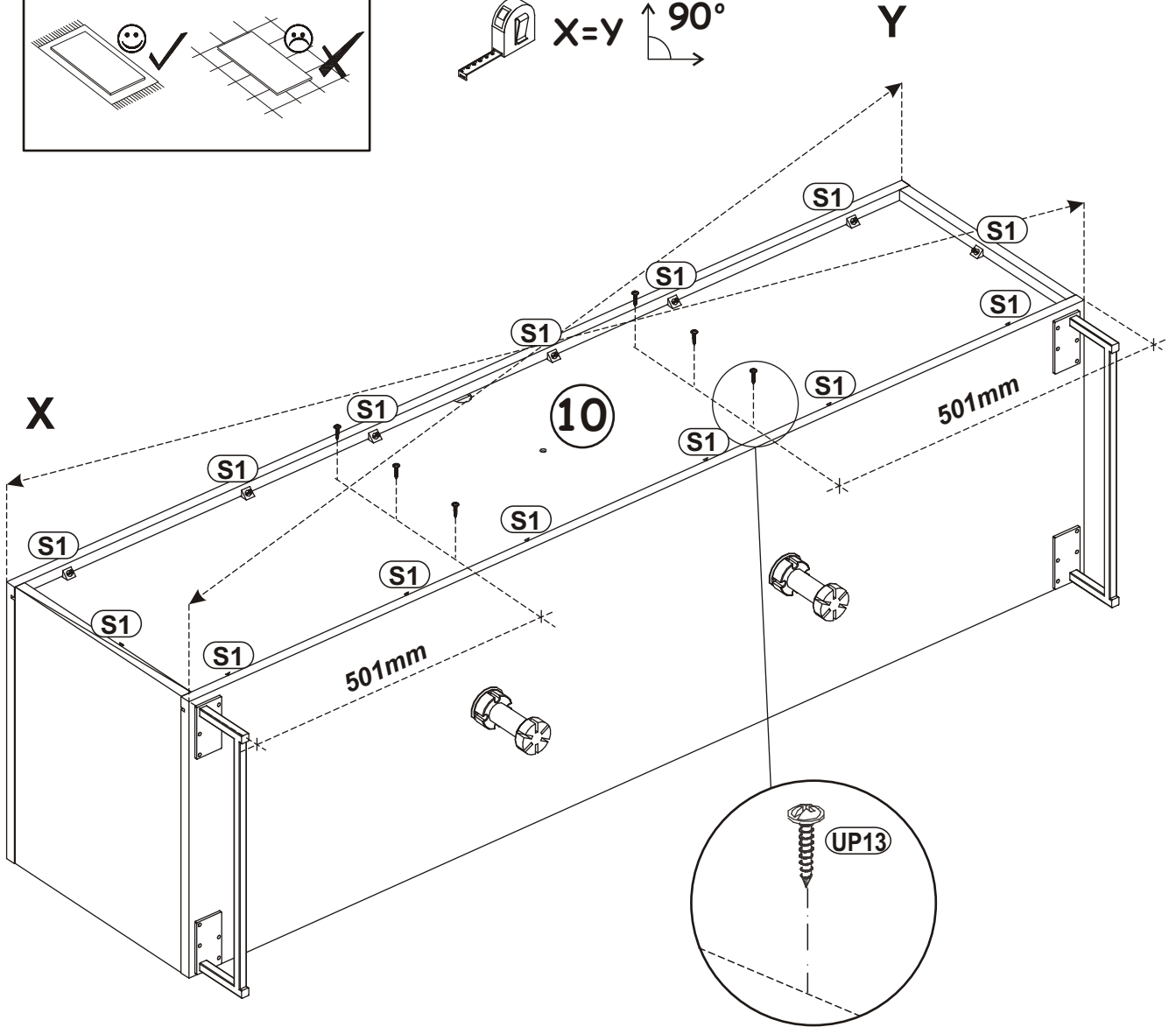
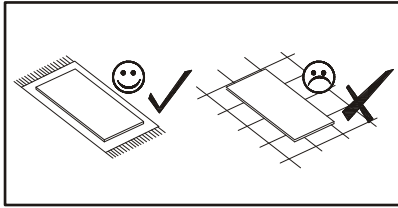
4

G5	
x16	

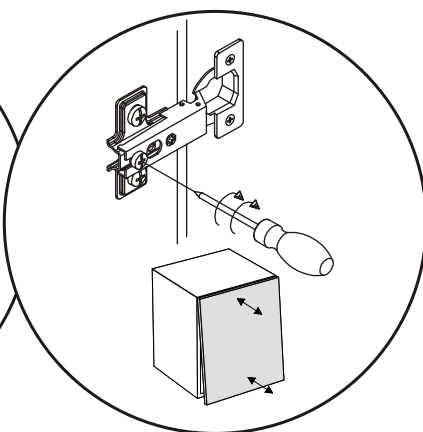
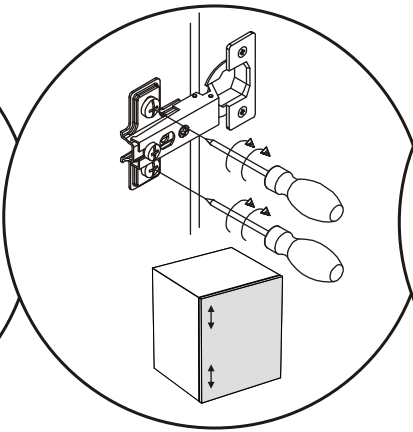
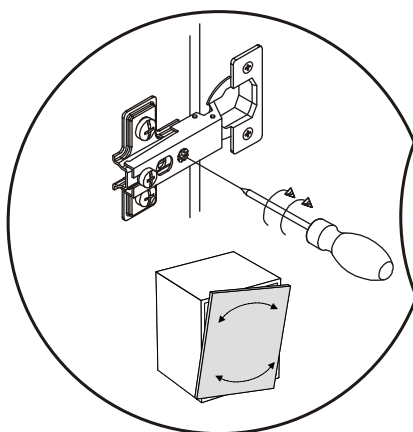
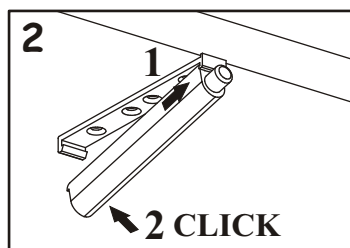
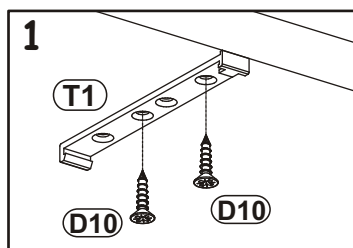
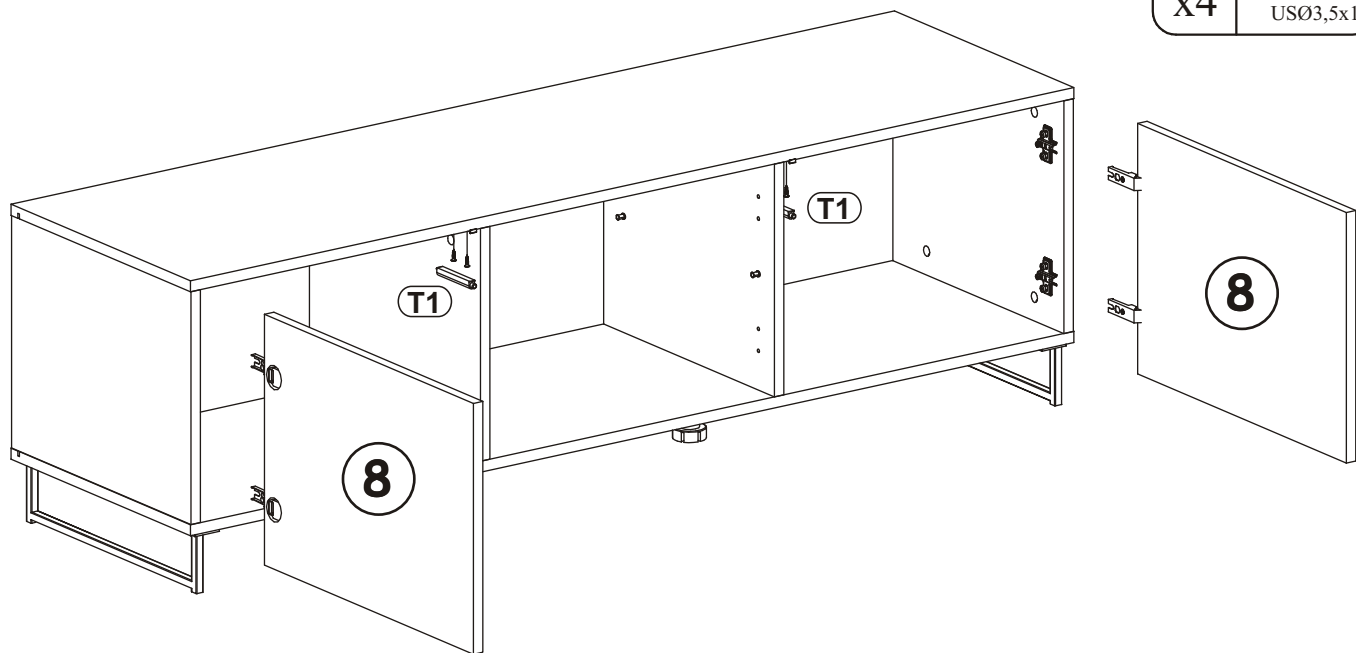
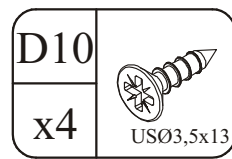
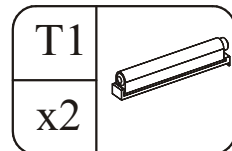


5

S1		UP13	
x14		x6	

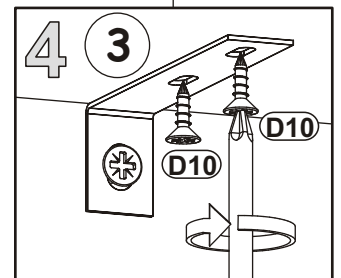
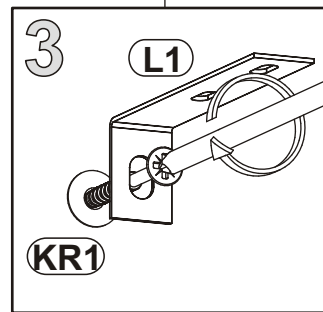
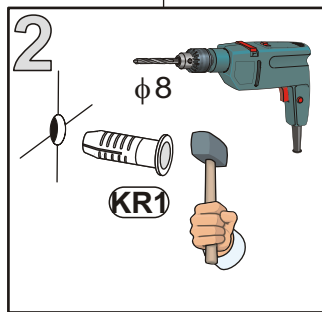
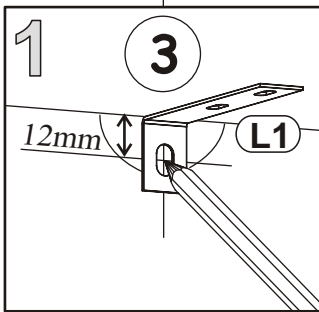
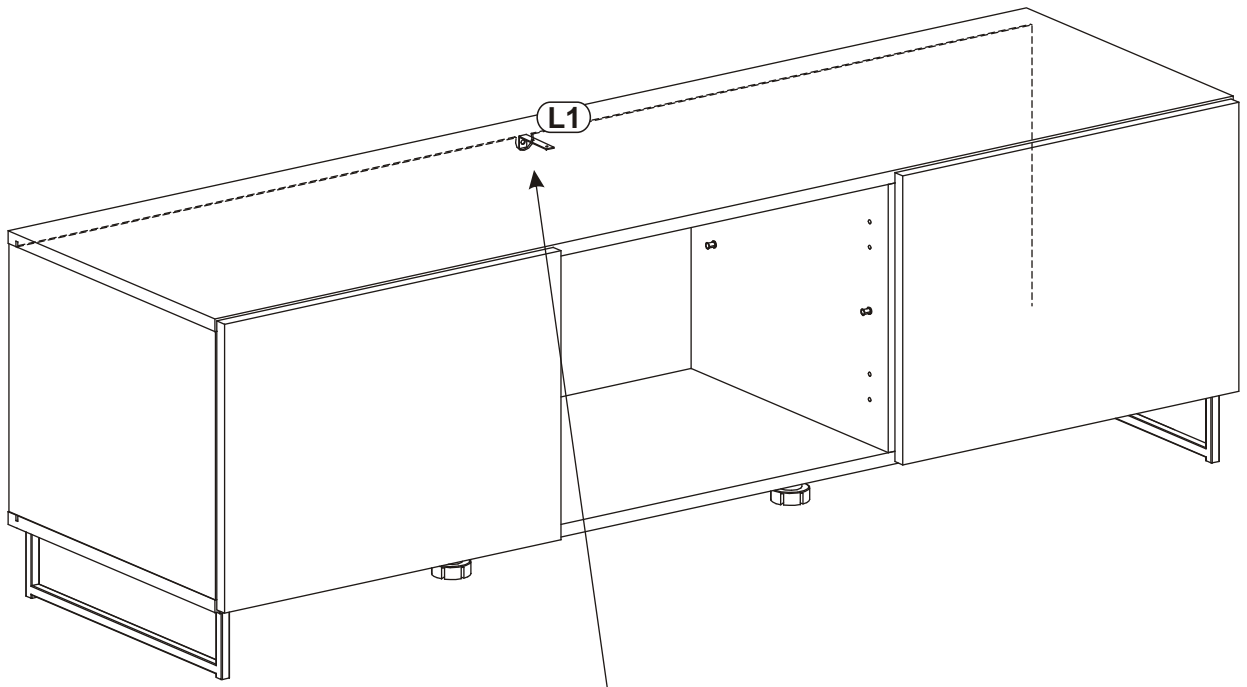
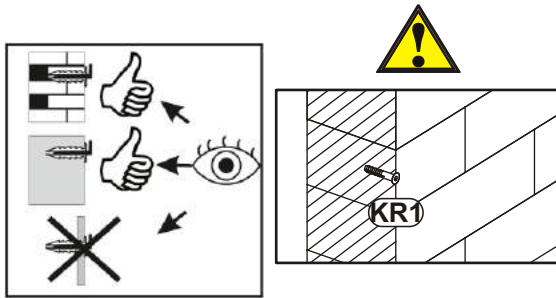
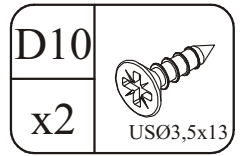
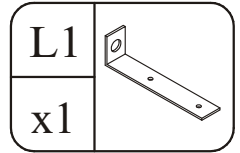
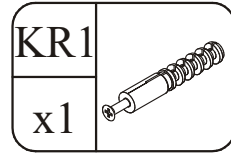


6

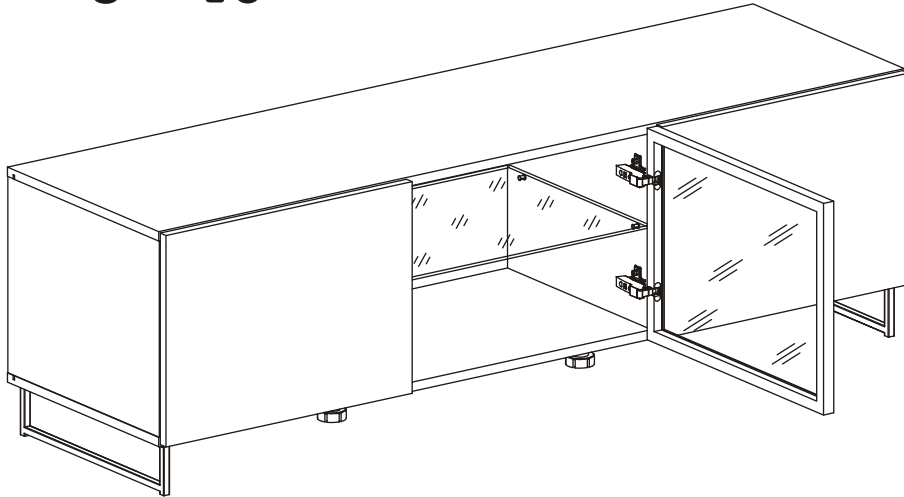


PLANK 29_PNRTV

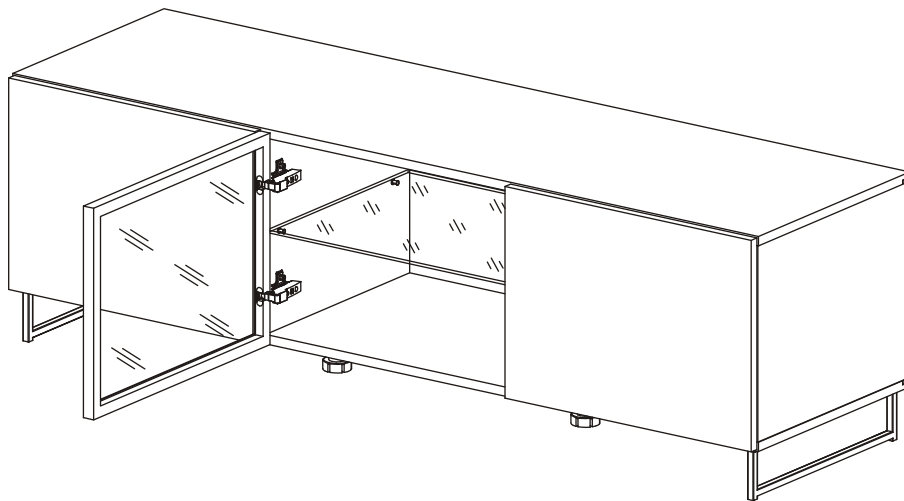
7



8 - 10

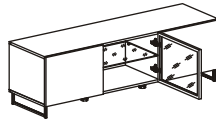



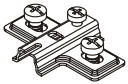
11 - 13

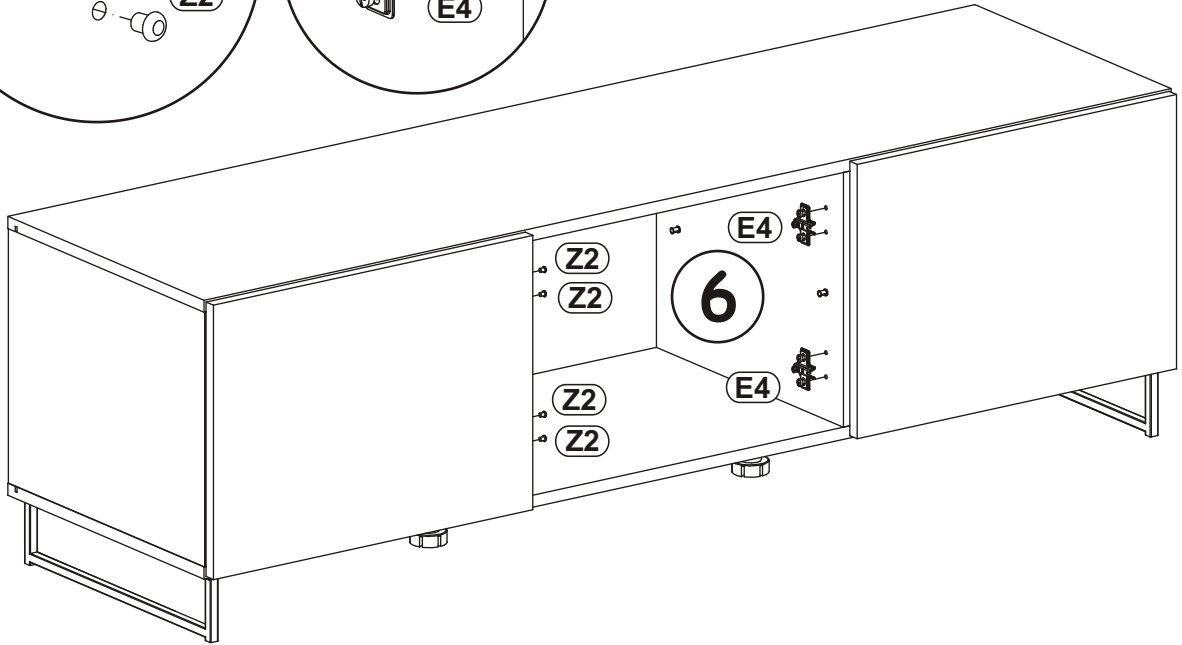
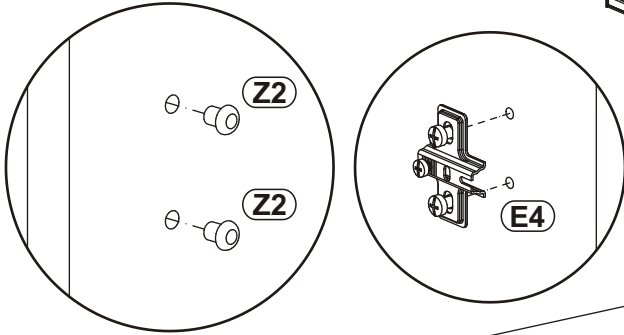


PLANK 29_PNRTV

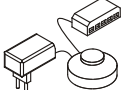
8

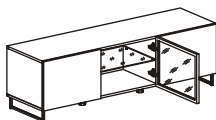
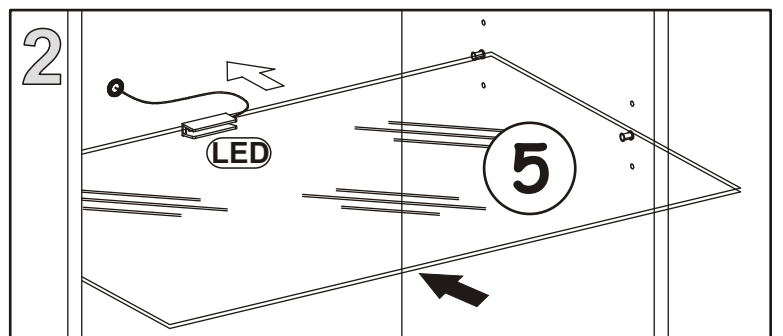
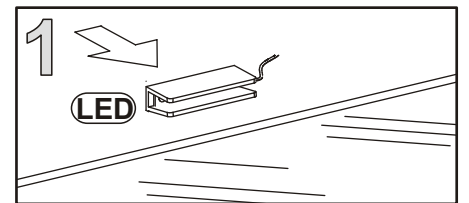
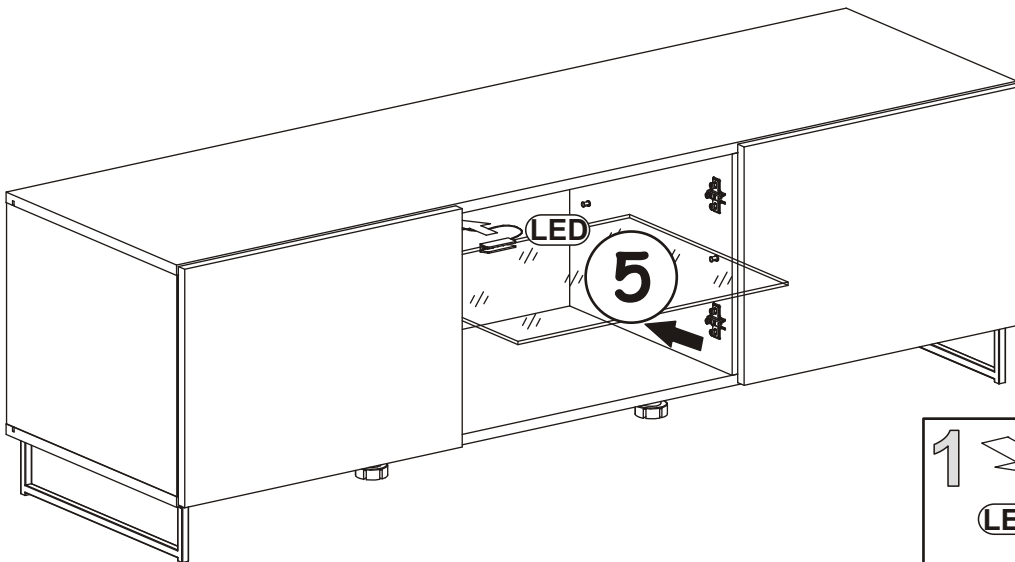


Z2		E4	
x4	Ø5	x2	H=2

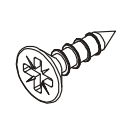
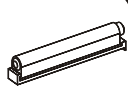


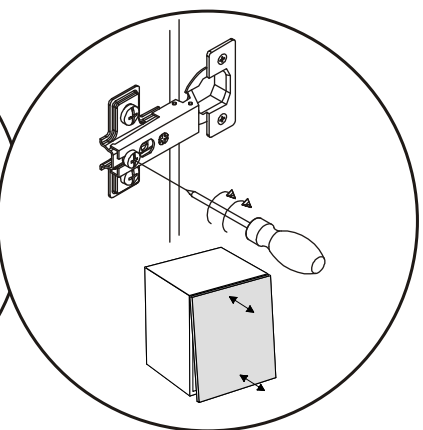
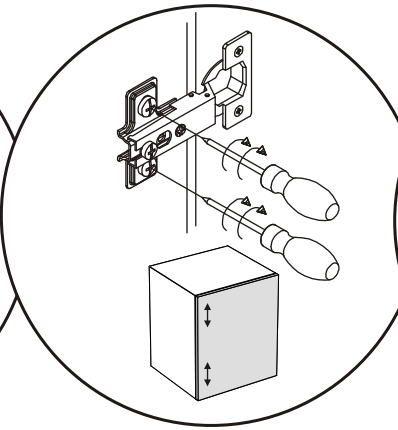
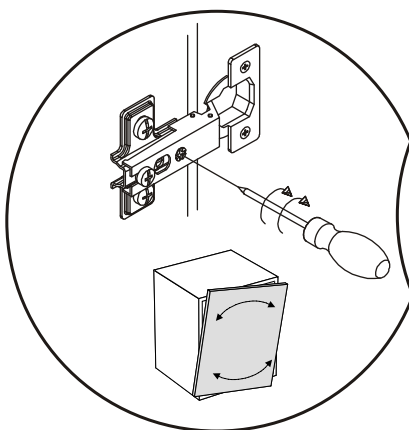
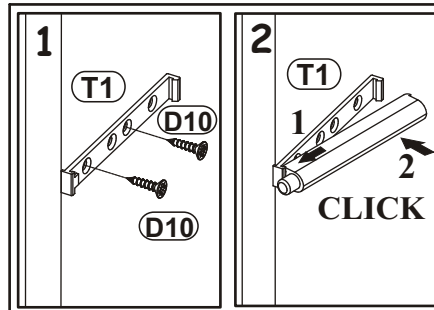
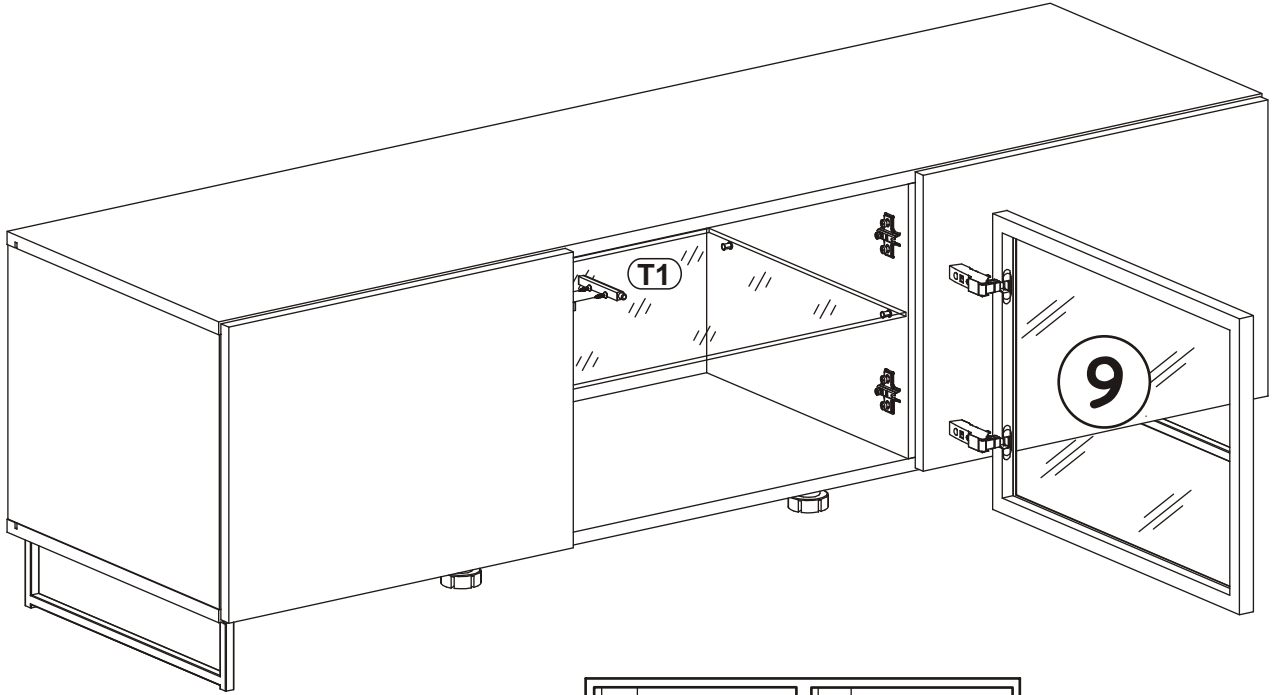
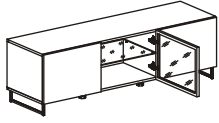
9

LED	
x1	x1

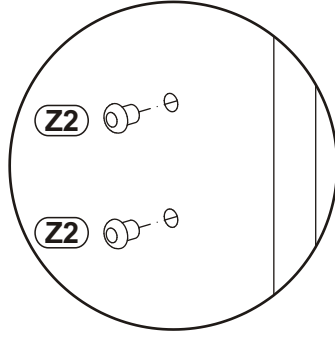
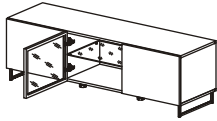



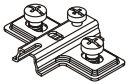
10

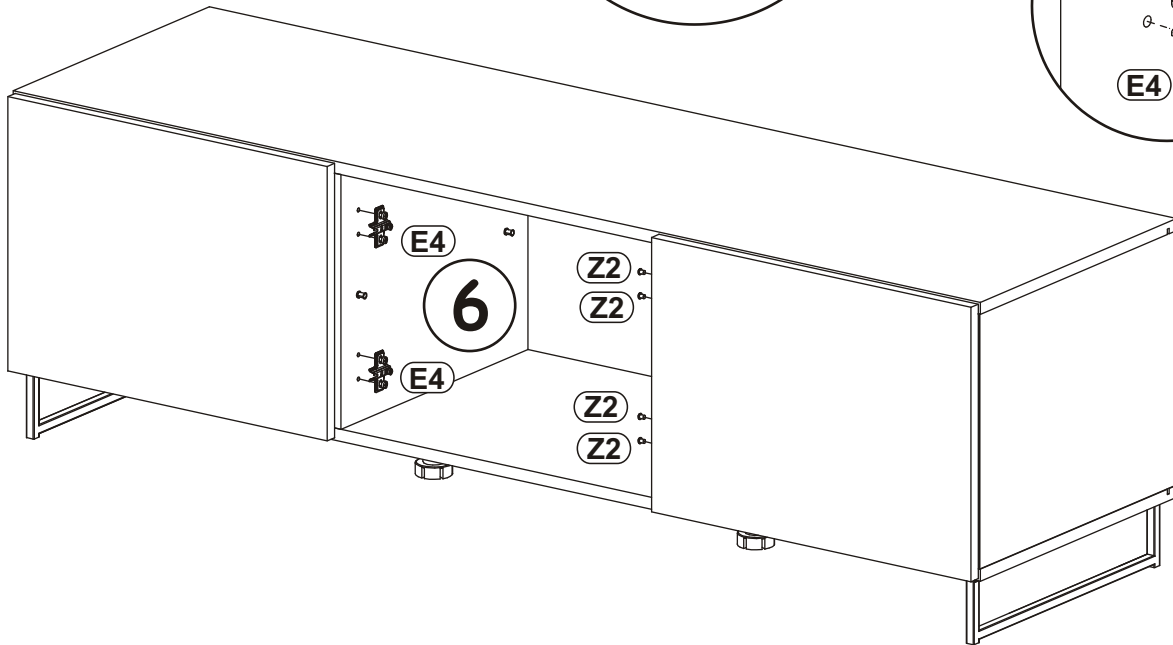
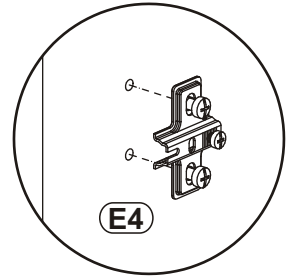
D10		T1	
x2		x1	




11

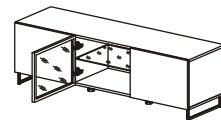
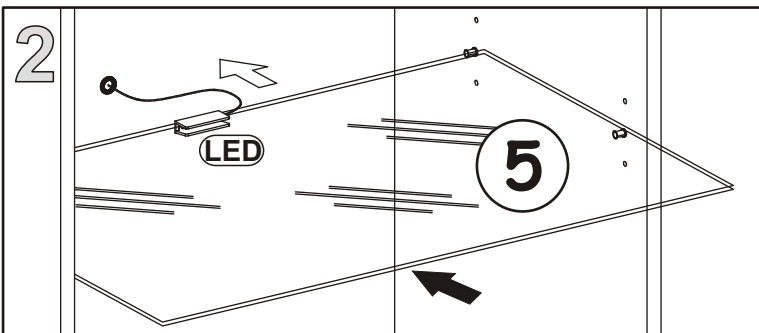
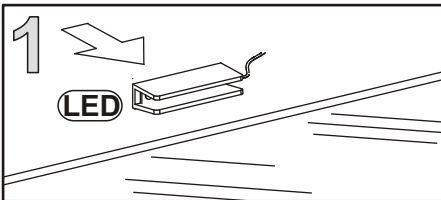
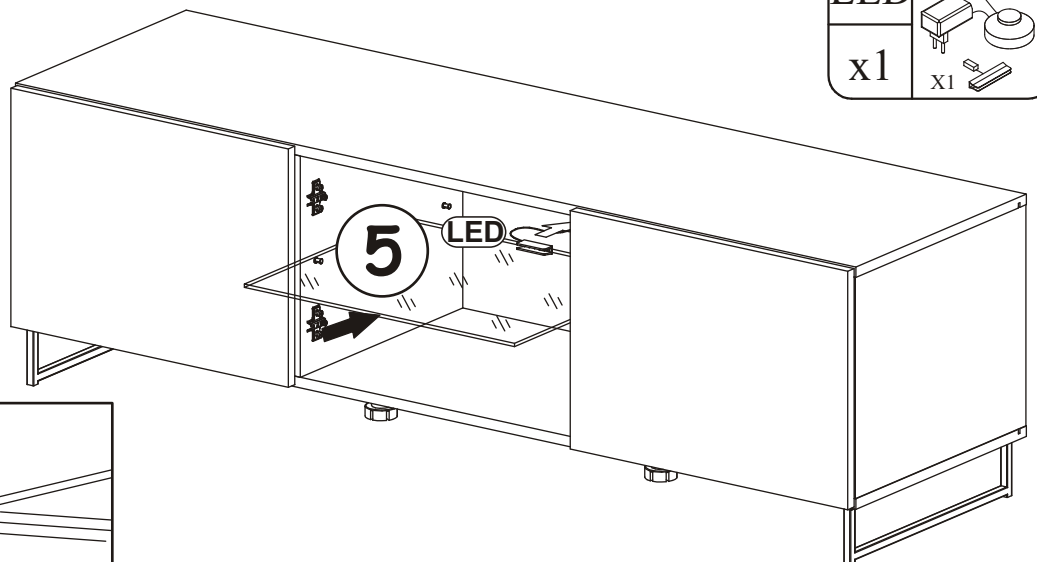


Z2		E4	
x4	Ø5	x2	H=2

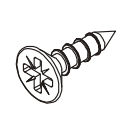
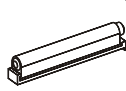


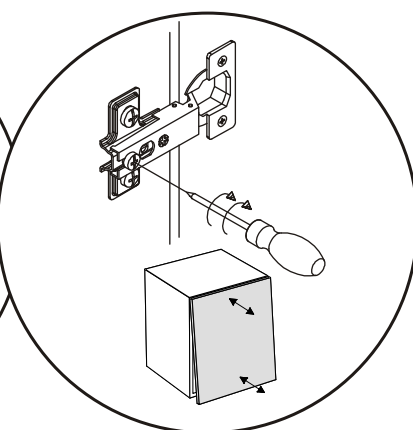
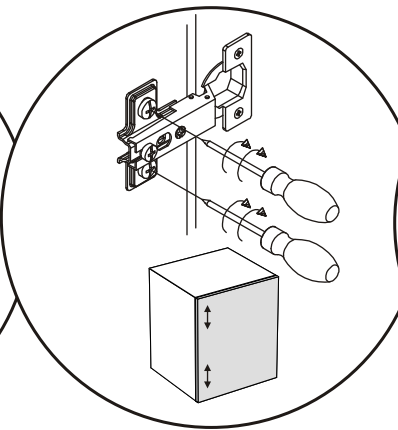
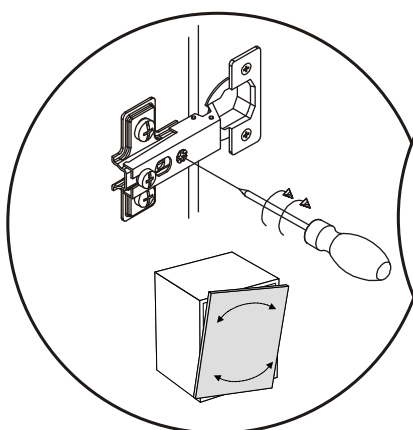
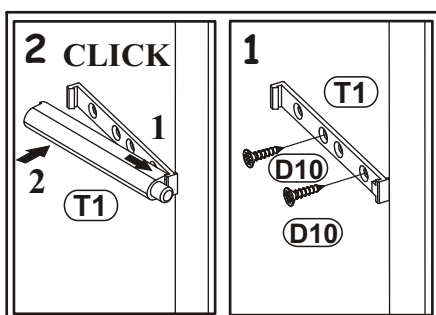
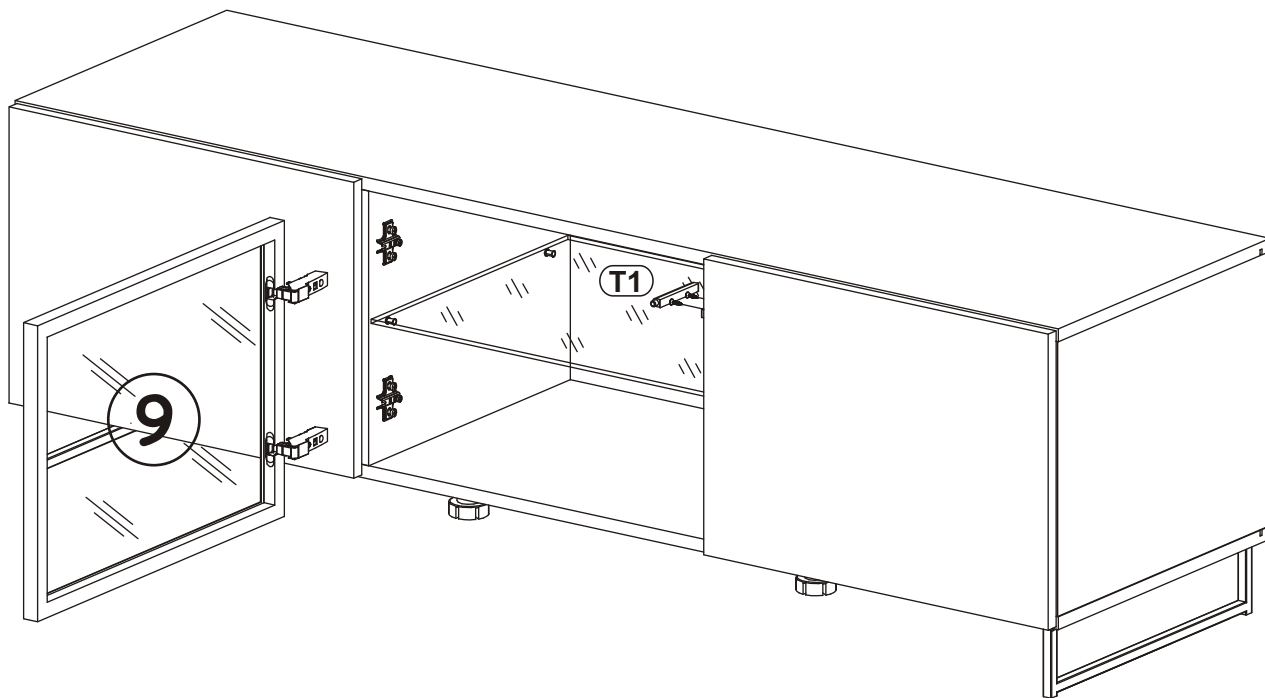
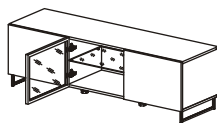
12

LED	
x1	x1

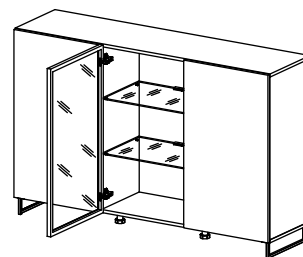
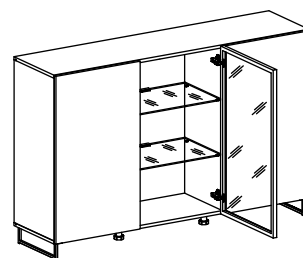
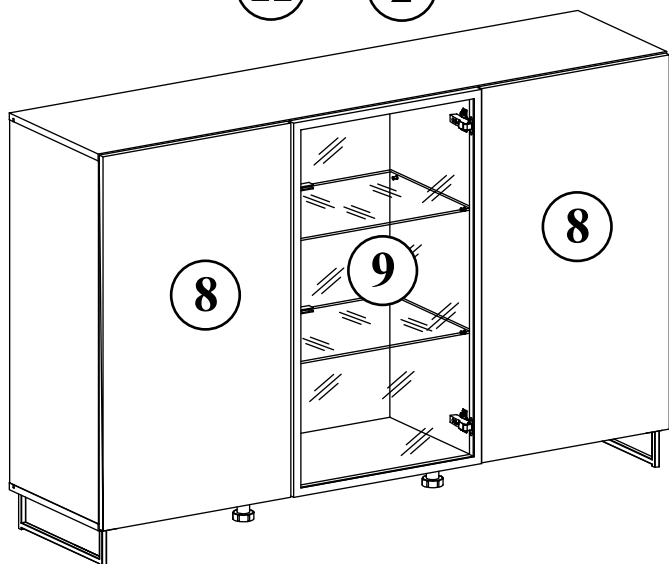
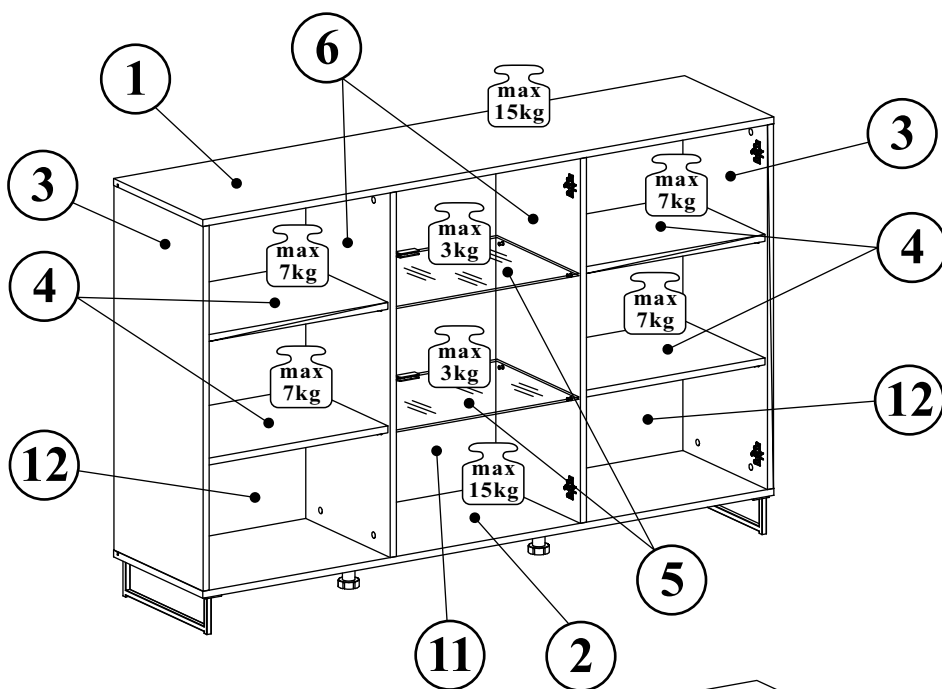


13

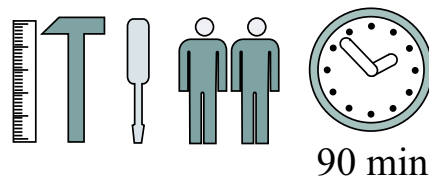
D10		T1	
x2		x1	



PLANK 29_PNSB



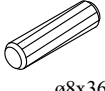
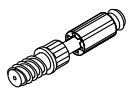


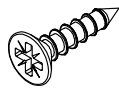
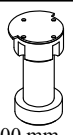
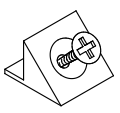
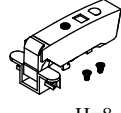
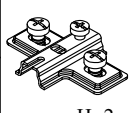
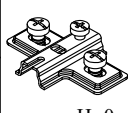
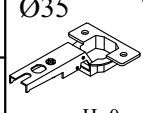
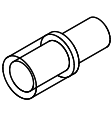


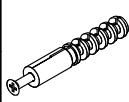
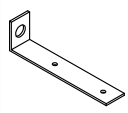
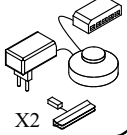


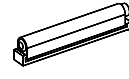
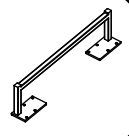
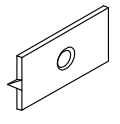
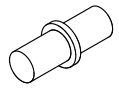

NO	Dim.			Col-No	Qty
1	1502	376	16	1	1
2	1502	376	16	1	1
3	850	376	16	1	2
4	476	346	16	1	4
5	483	346	5	1	2
6	850	356	16	1	2
8	496	876	16	1	2
9	496	876	21	1	1
11	500	862	3	1	1
12	490	862	3	1	2

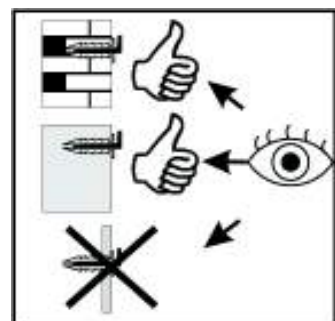
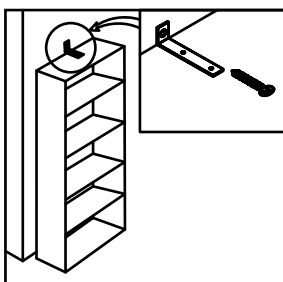
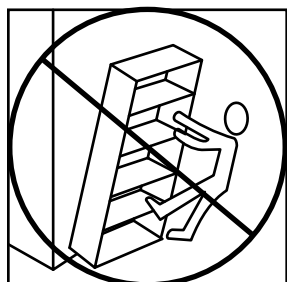
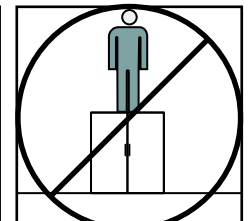
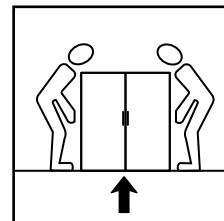
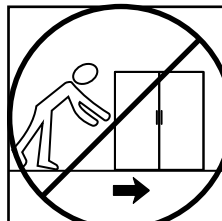
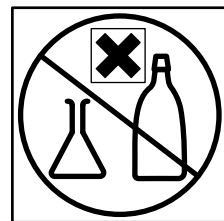
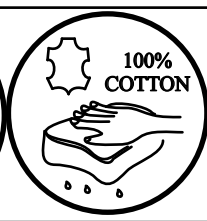
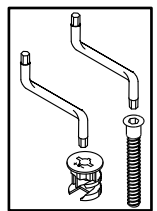
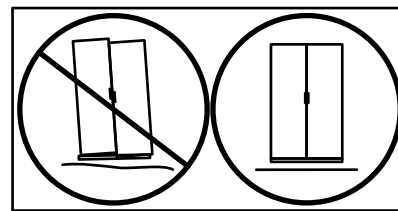
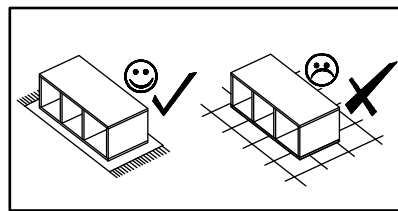
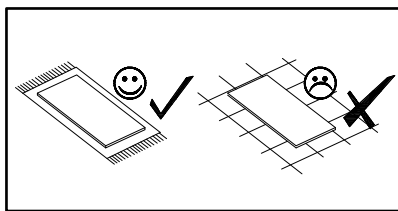
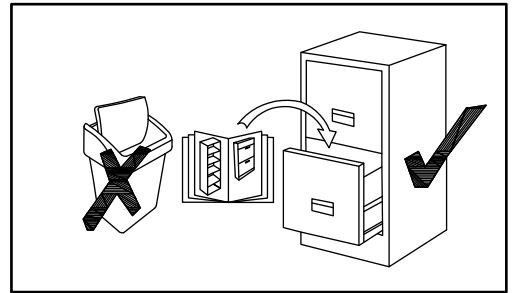
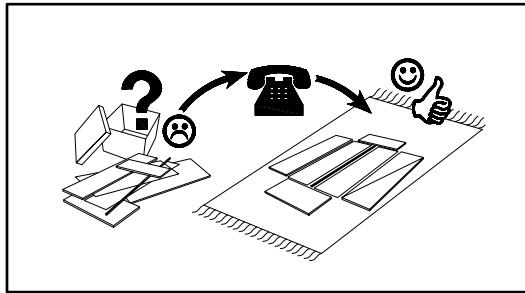
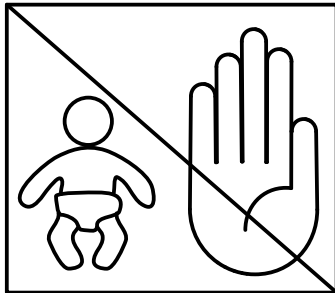
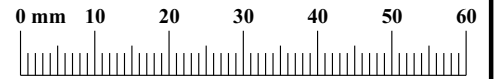


90 min



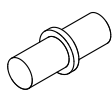
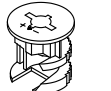
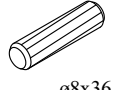
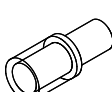
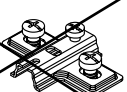
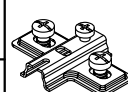
PLANK 29_PNSB

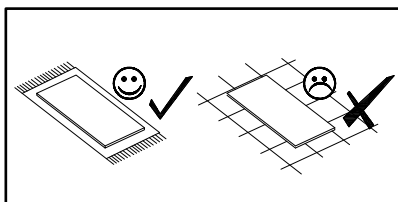
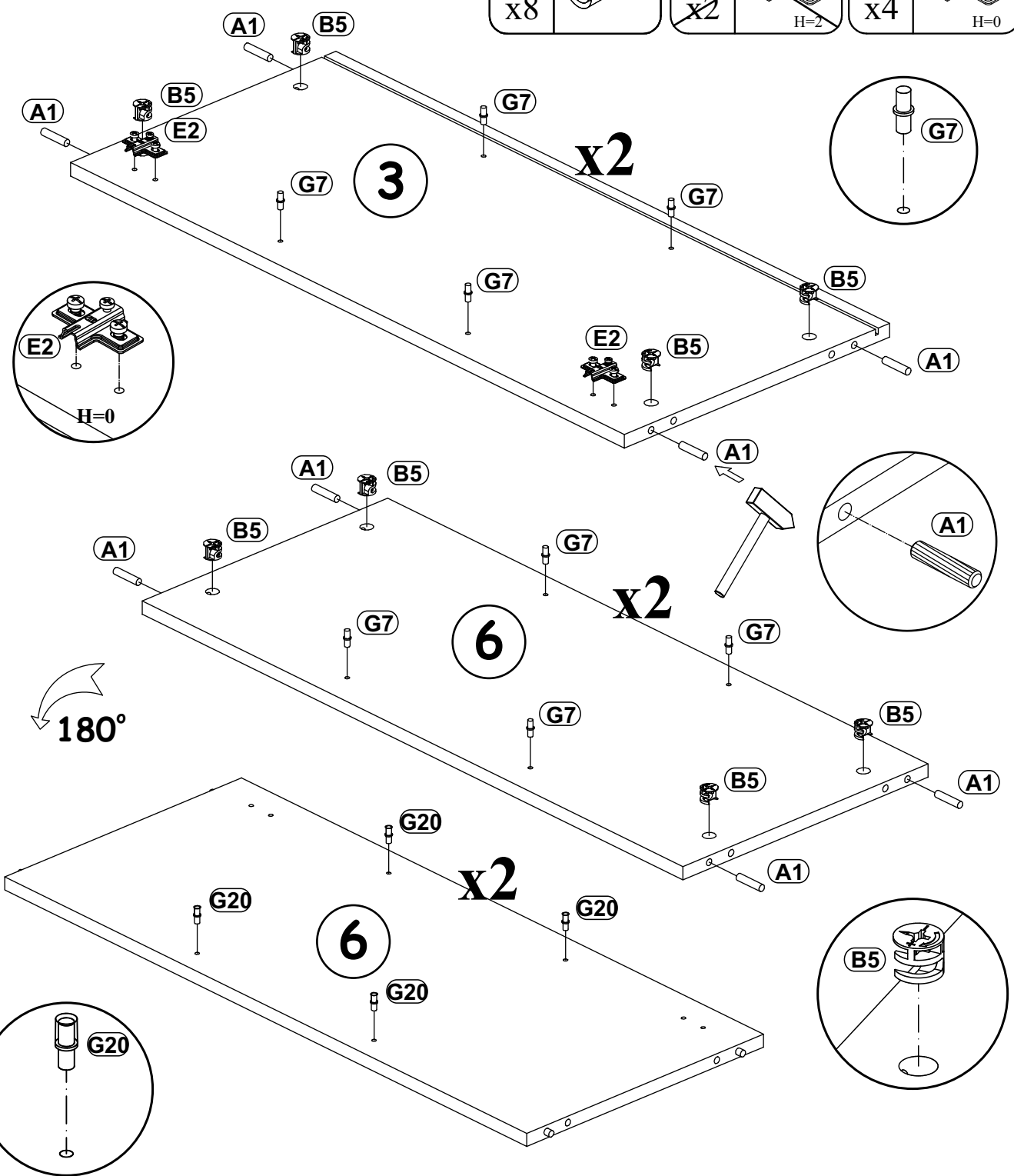
A1 x16  ø8x36	B4 x16 	B5 x16  ø15x12	G5 x16 	D30 x8  USØ3,5x16	I12 x2  L-100 mm.
S1 x18 	E31 x2  H=8	E4 x2  H=2	E2 x4  H=0	E21 x4  Ø35 H=0	G20 x8 
UP13 x8  UPØ3x16	D10 x16  USØ3,5x13	KR1 x1 	L1 x1 	LED x1  x2	G2 x1 
Z2 x4  ø5	T1 x3 	ST6 x2 	G16 x8 	G7 x16 	UP5 x16  UPØ4x16



PLANK 29_PNSB

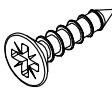
1

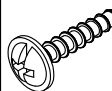
G7 x16		B5 x16	 ø15x12	A1 x16	 ø8x36
G20 x8		E4 x2	 H=2	E2 x4	 H=0

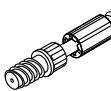


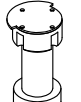
PLANK 29_PNSB

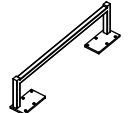
2

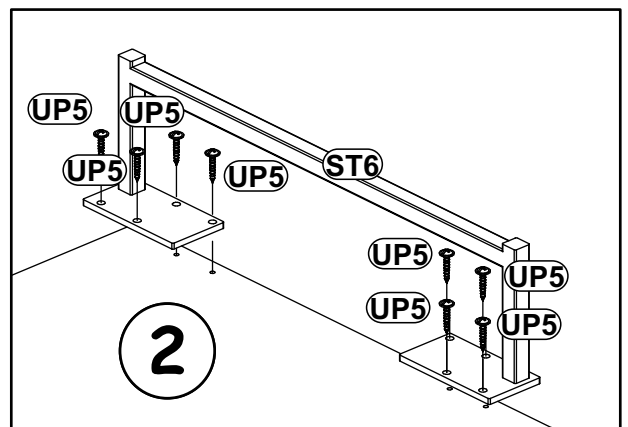
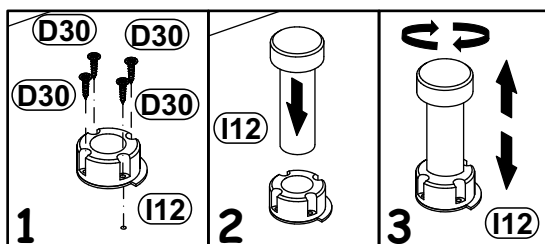
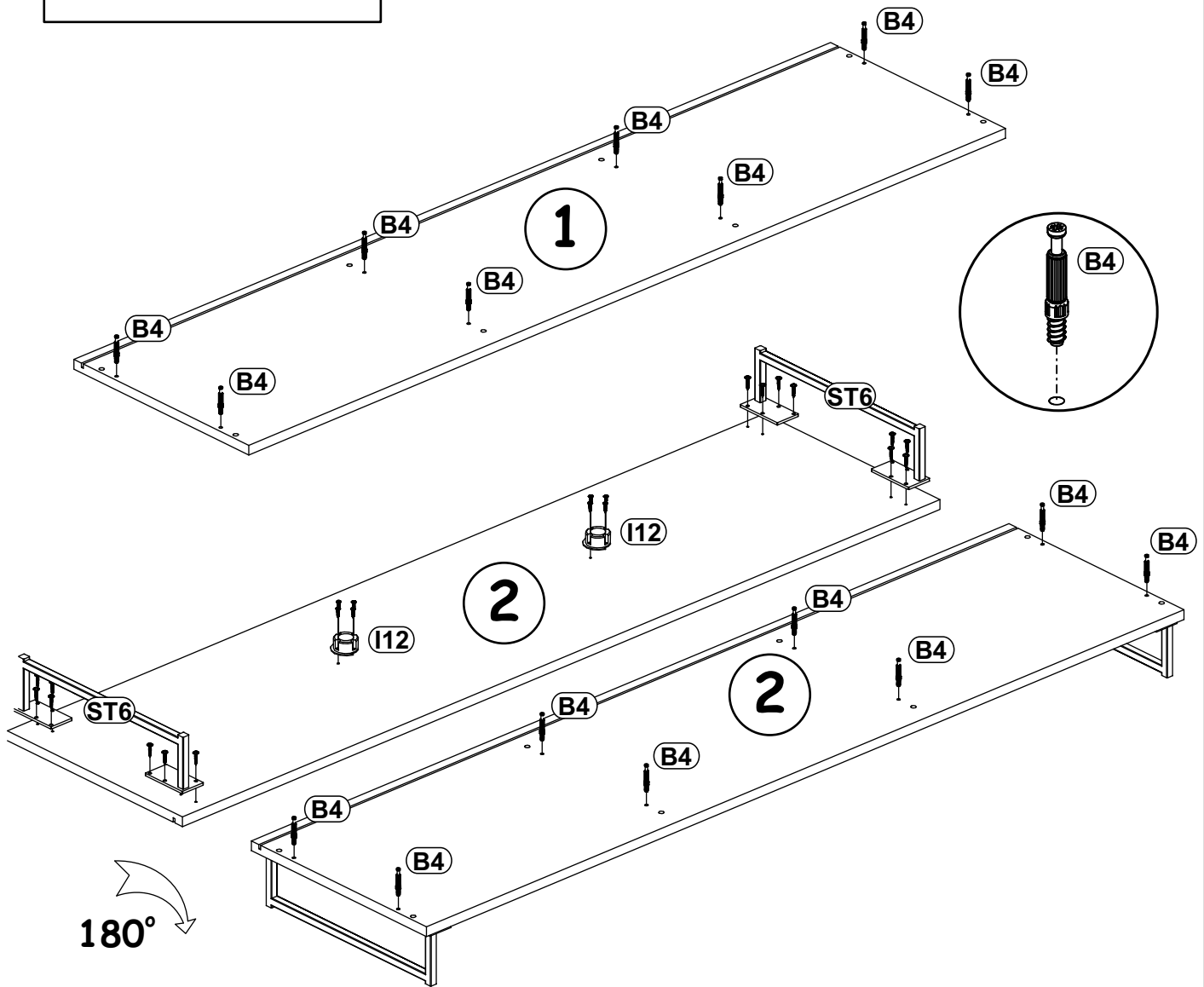
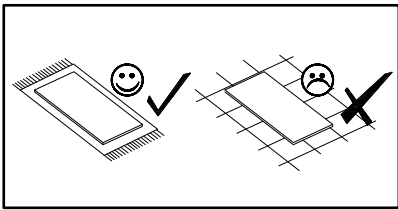
D30	
x8	USØ3,5x16

UP5	
x16	UPØ4x16

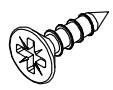
B4	
x16	

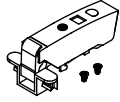
I12	
x2	L-100 mm.

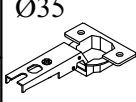
ST6	
x2	



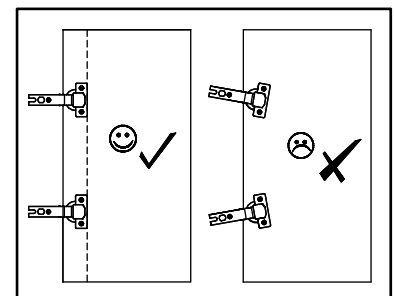
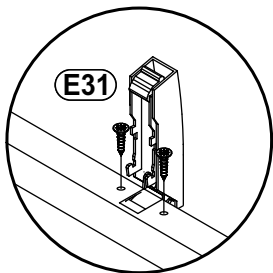
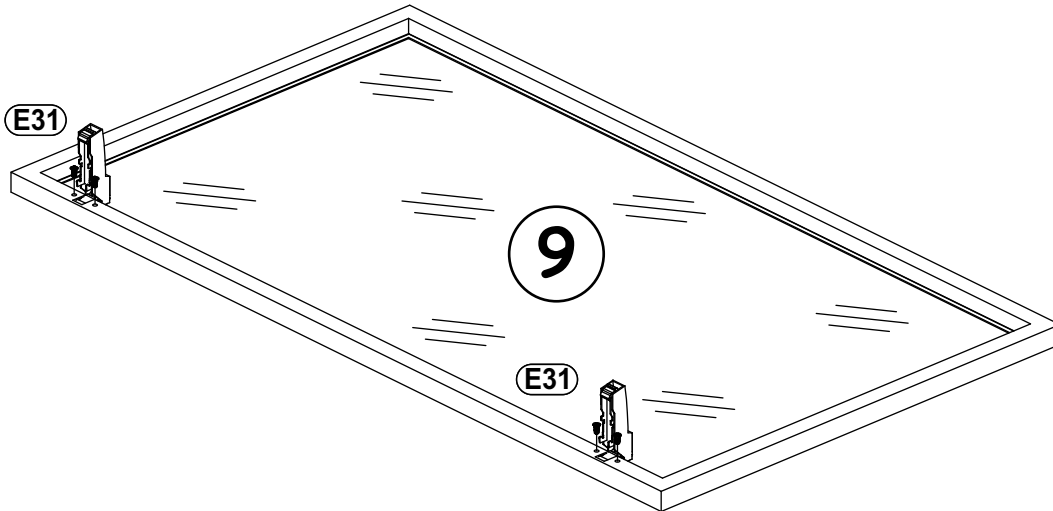
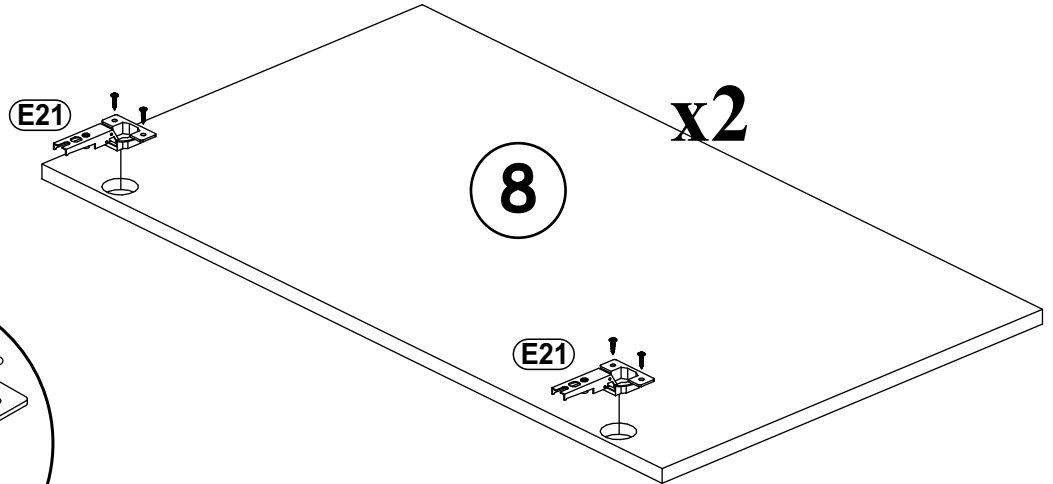
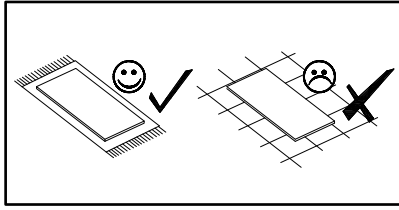
PLANK 29_PNSB


D10	
x8	USØ3,5x13

E31	
x2	H=8

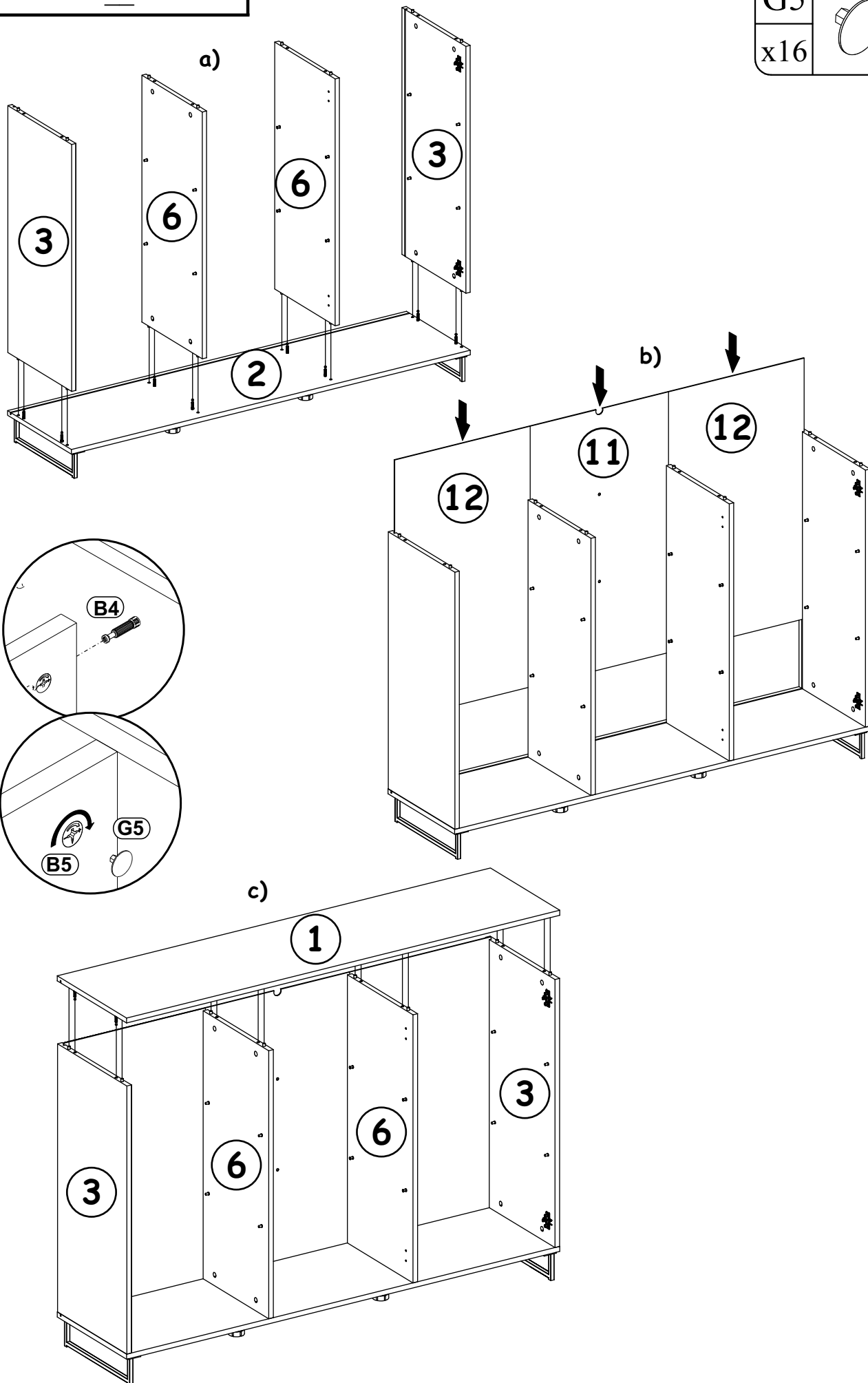
E21	
x4	Ø35 H=0

3

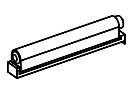



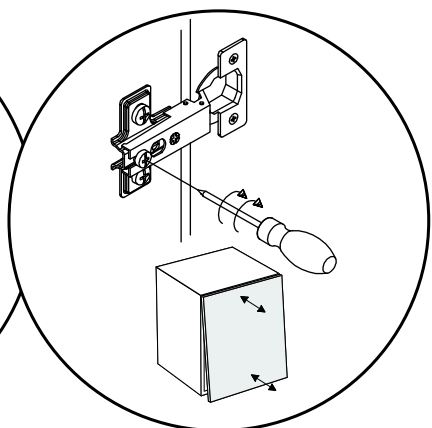
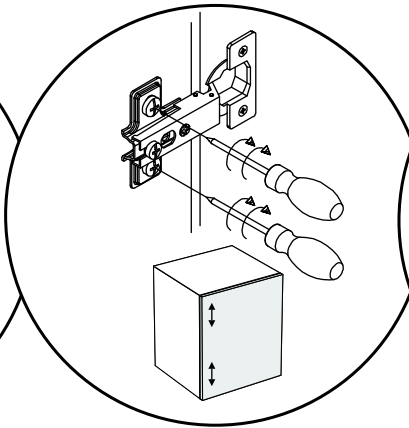
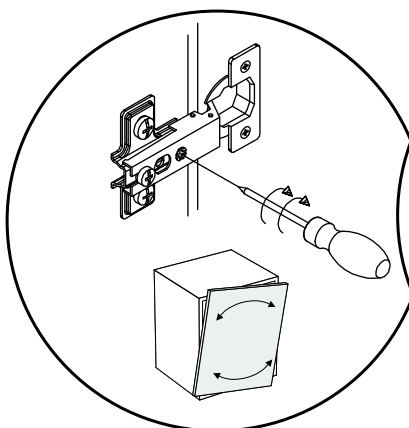
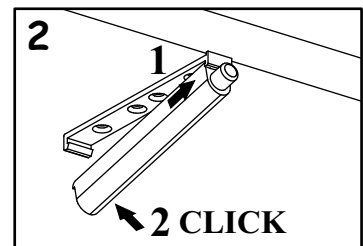
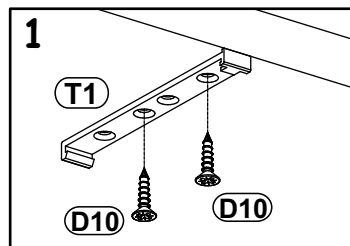
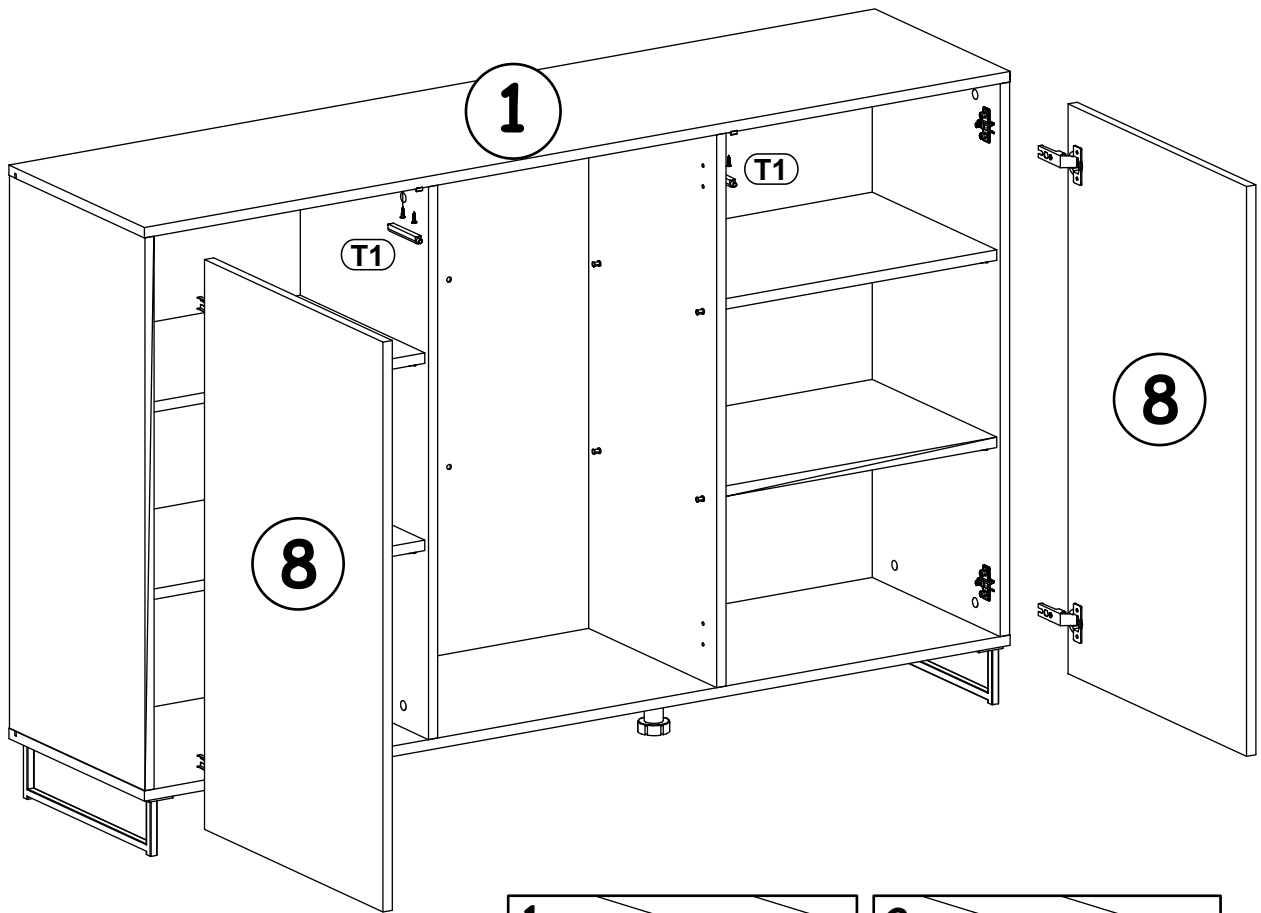
G5	
x16	

4

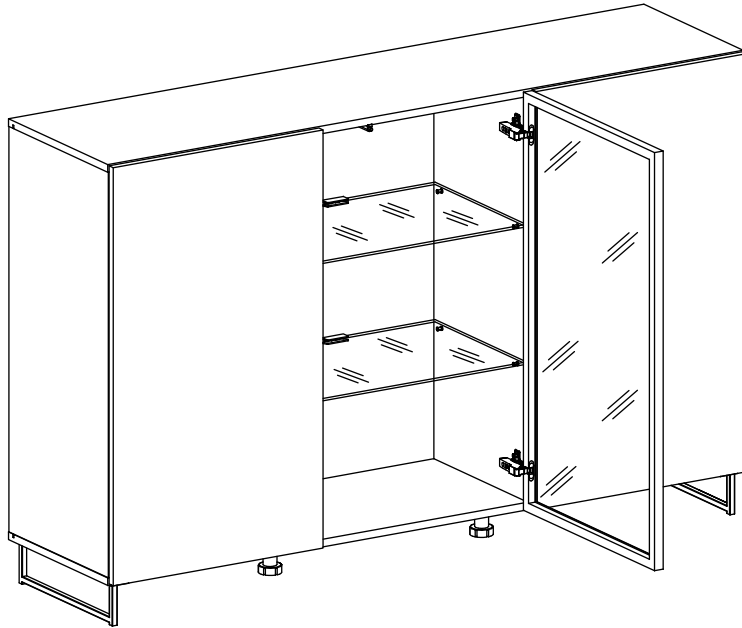


7

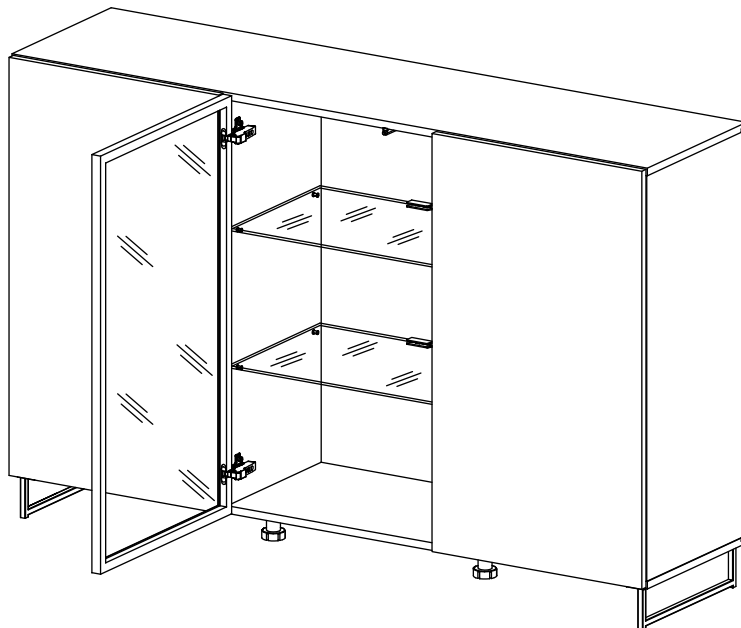
T1		D10	
x2		x4	USØ3,5x13



8 - 11

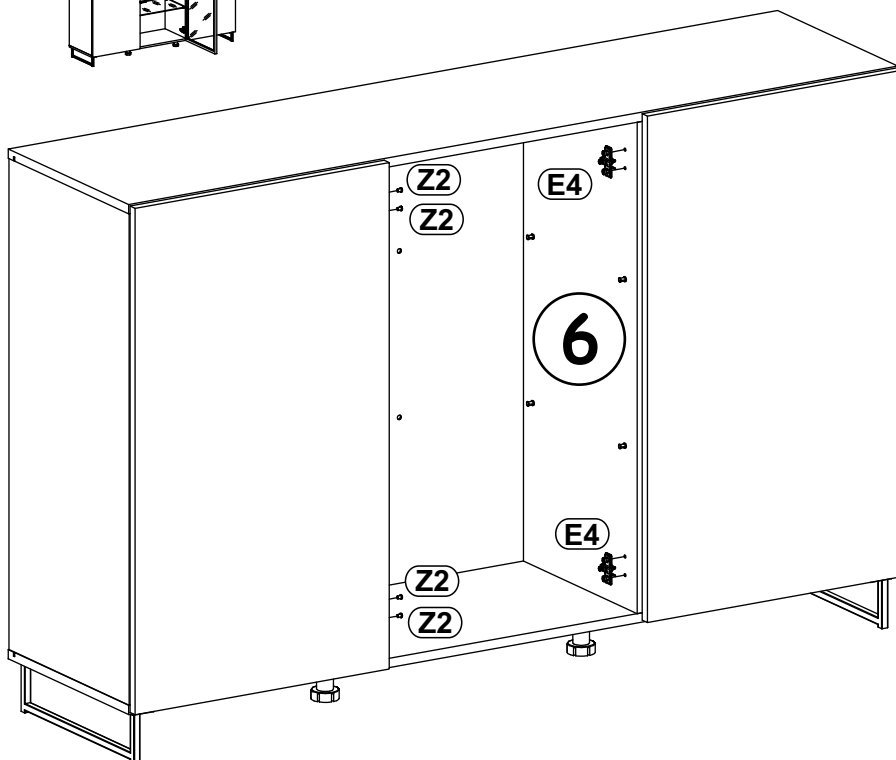



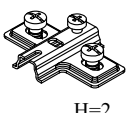
12 - 15

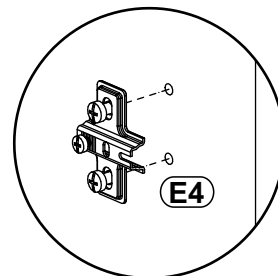
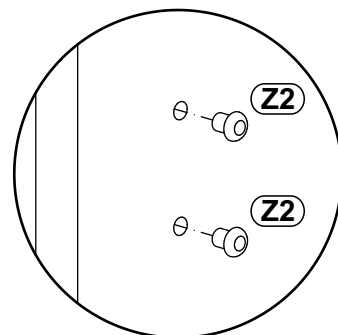


PLANK 29_PNSB

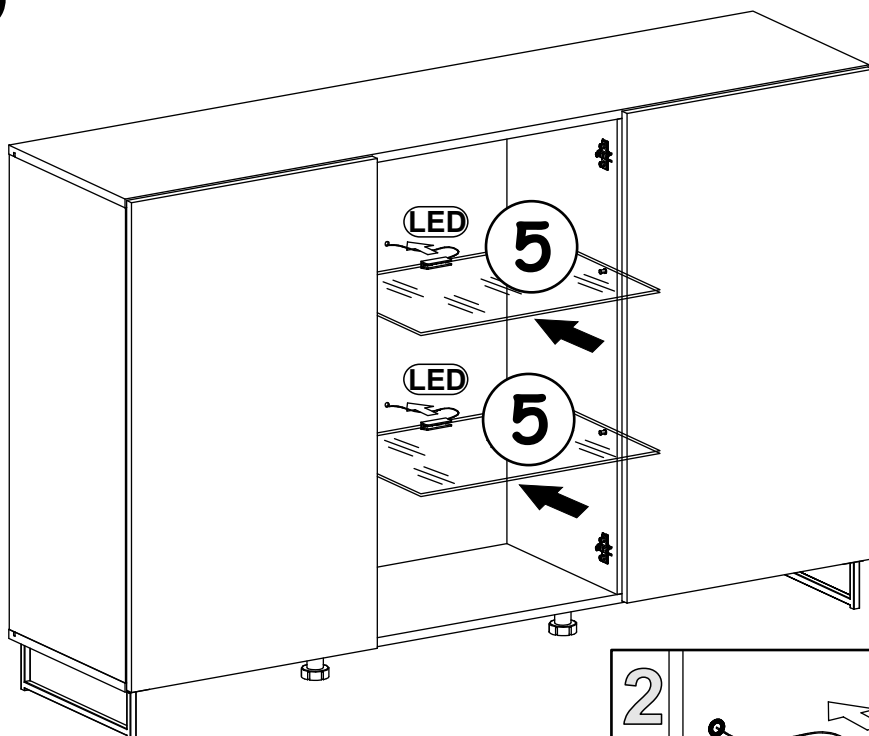
8

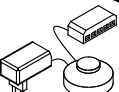


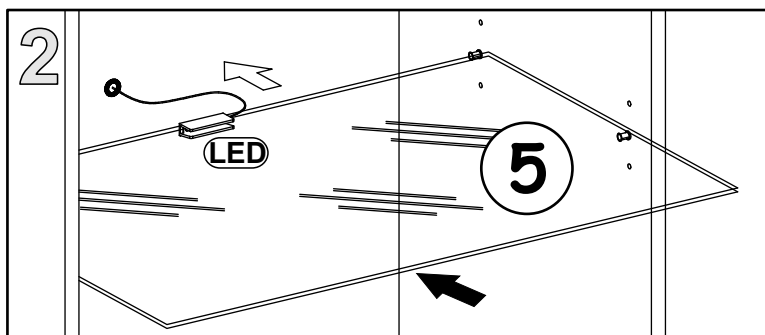
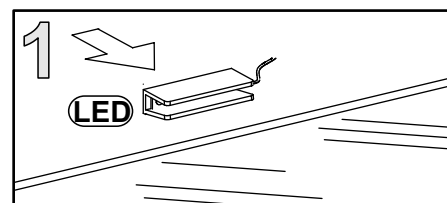
Z2		E4	
x4	Ø5	x2	H=2



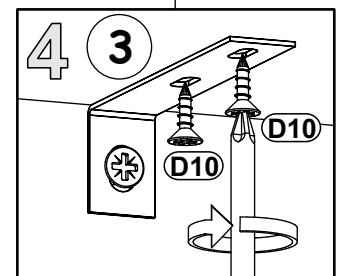
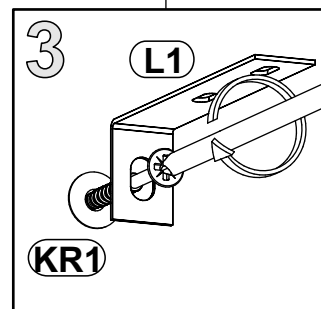
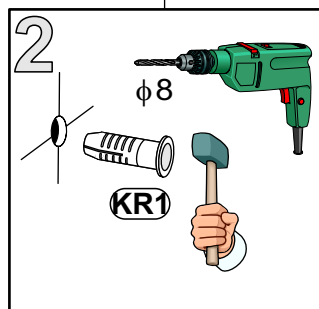
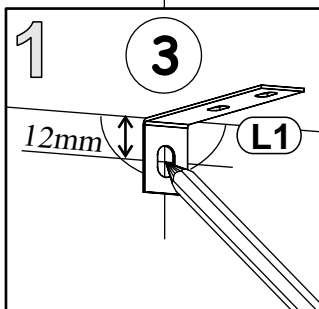
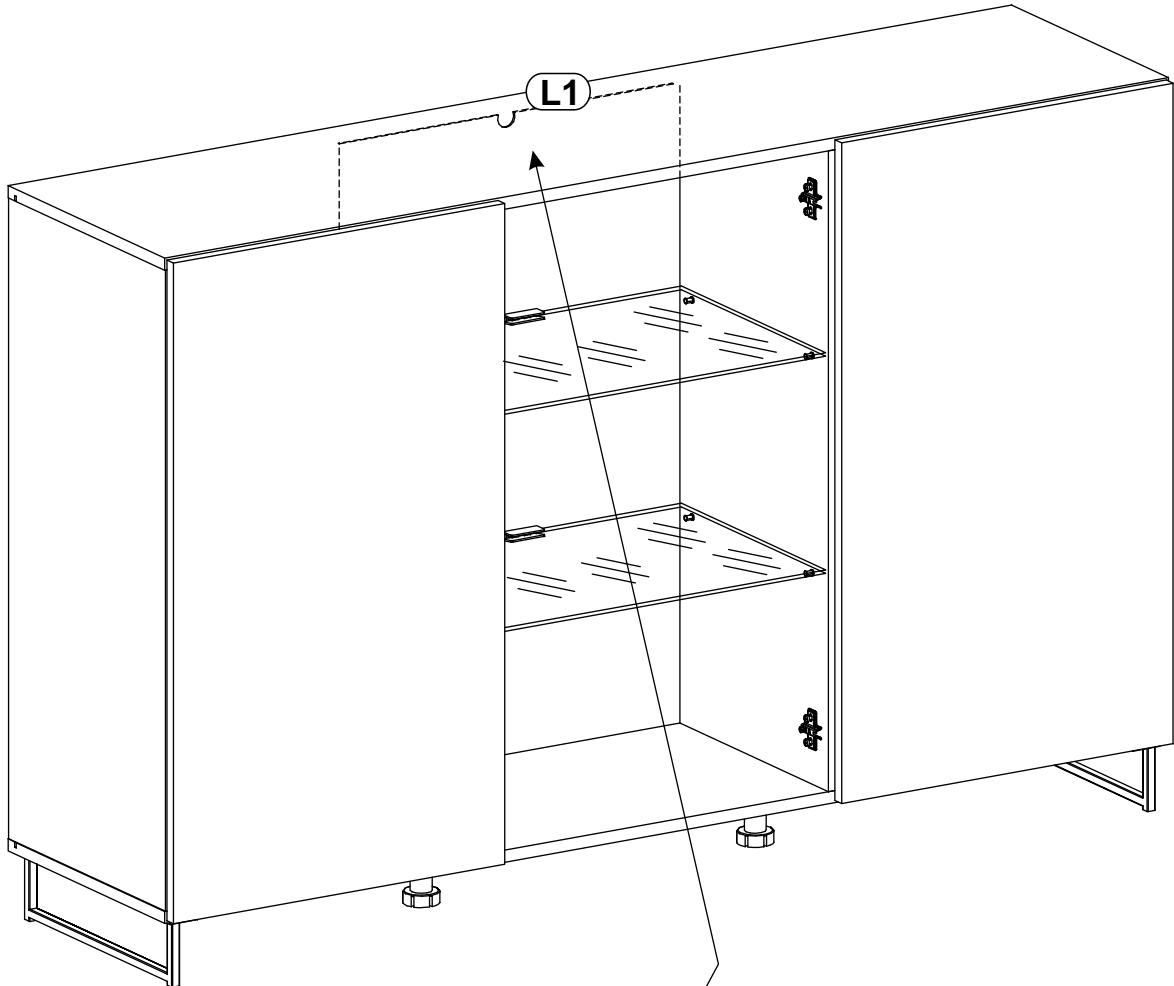
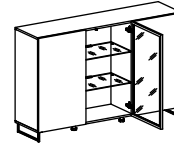
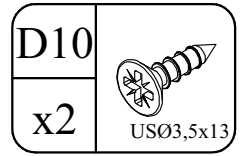
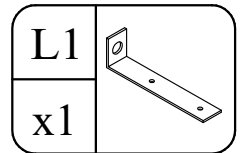
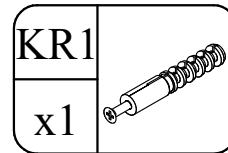
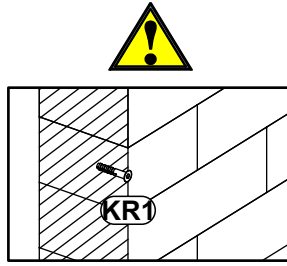
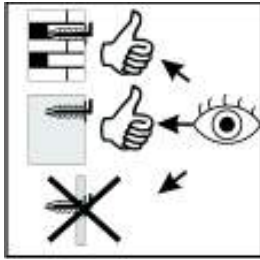
9



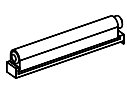

LED	
x1	x2

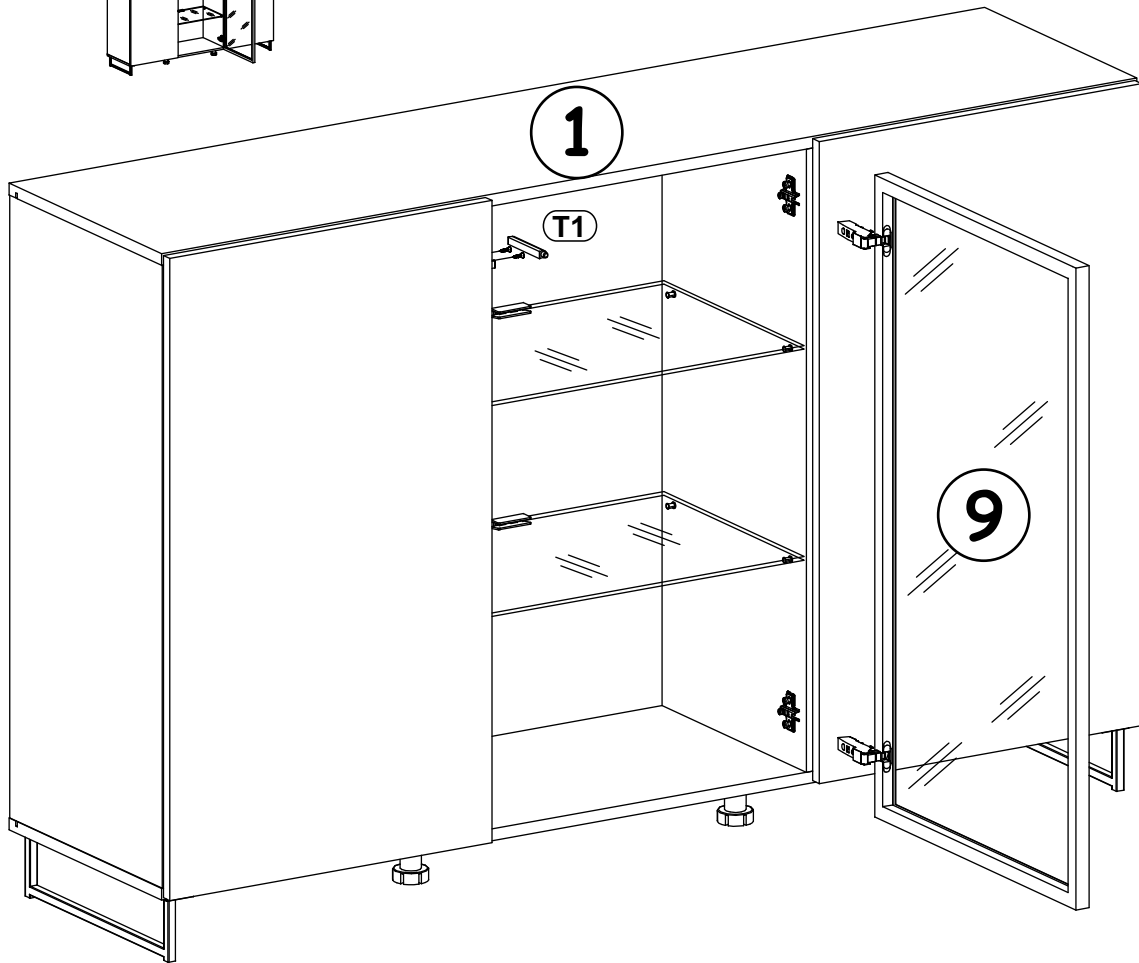


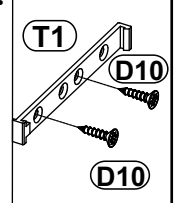
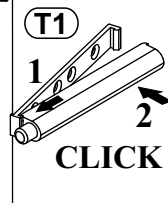
10

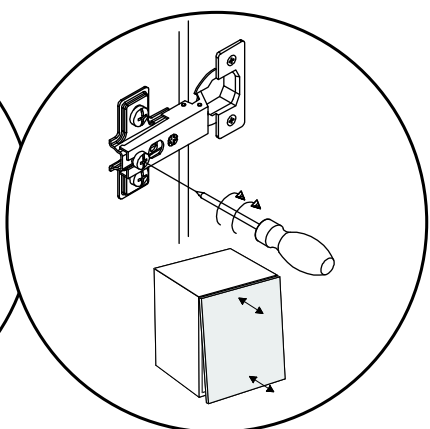
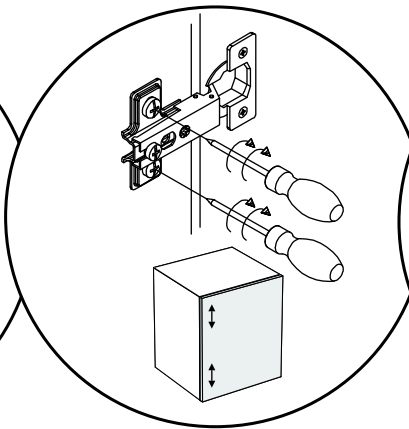
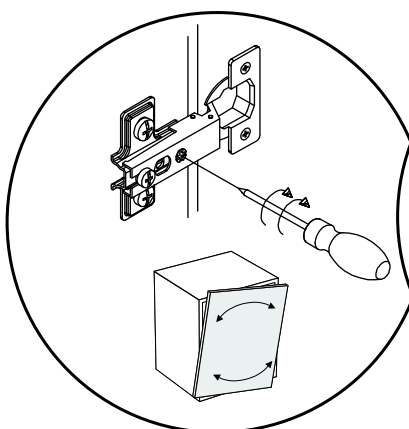


11

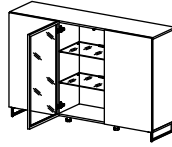
T1		D10	
x1		x2	USØ3,5x13


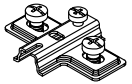


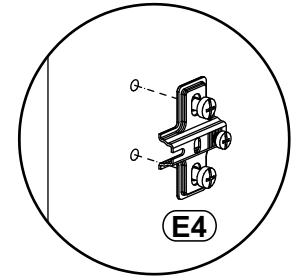
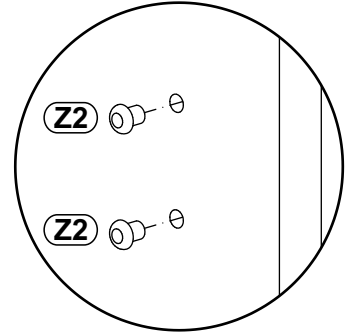
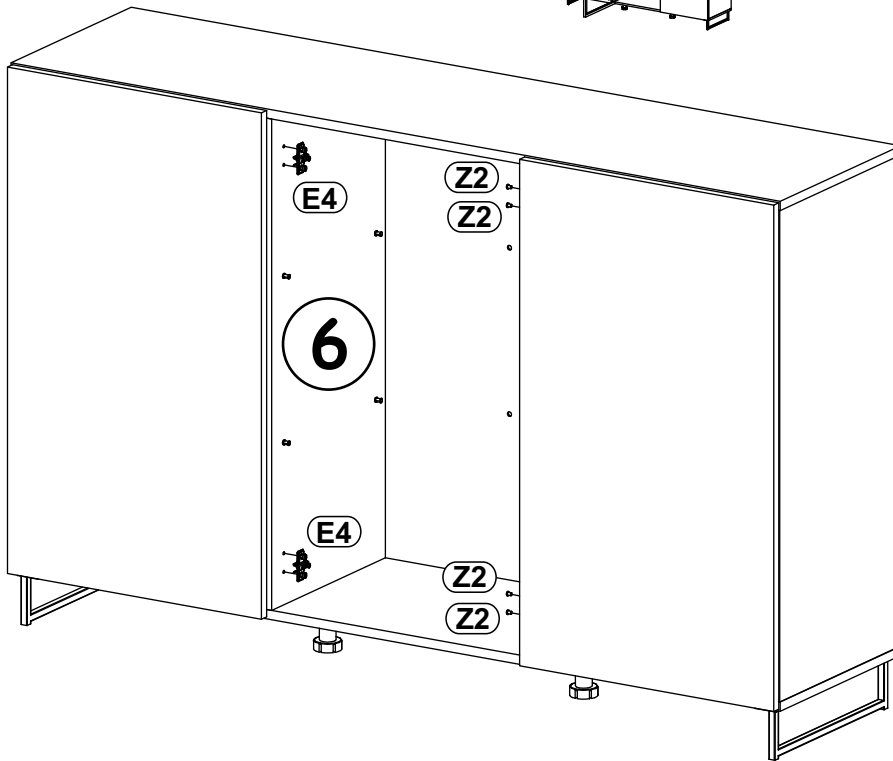
1 	2  CLICK
---	--



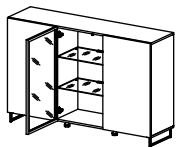
12

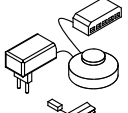


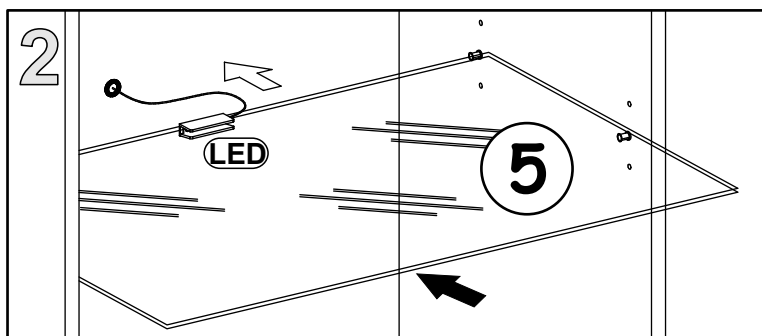
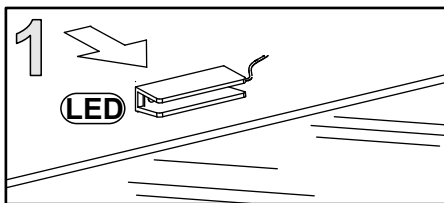
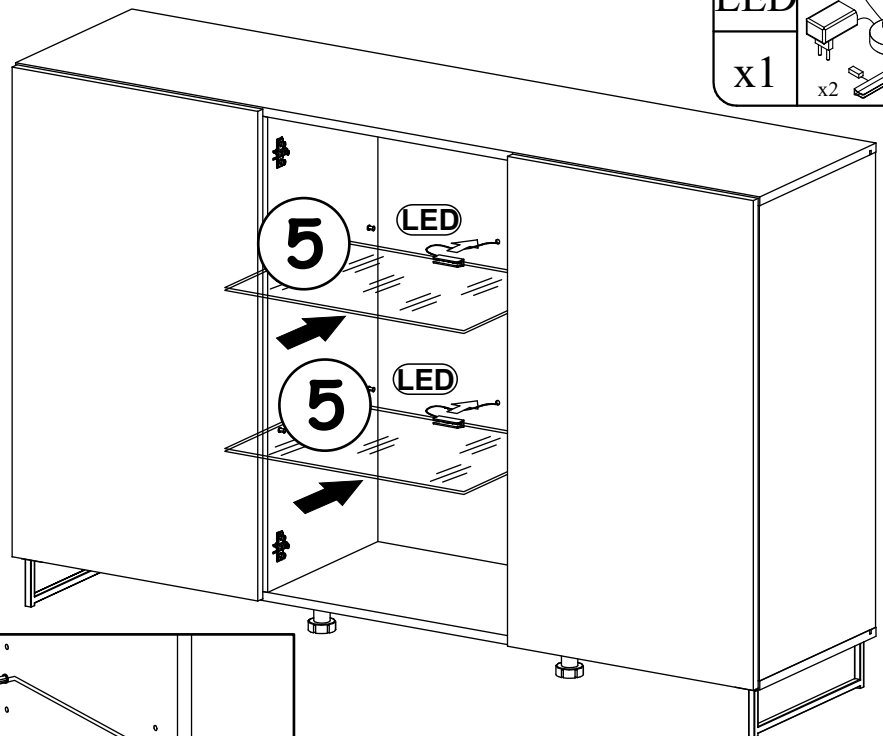
Z2		E4	
x4	Ø5	x2	H=2



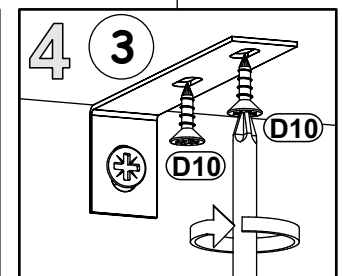
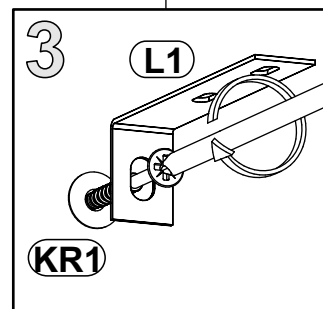
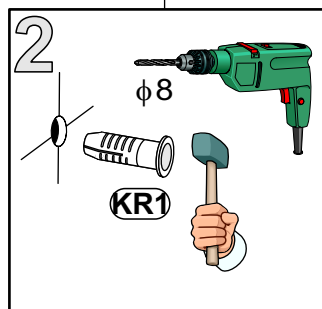
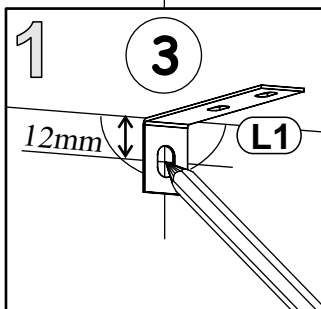
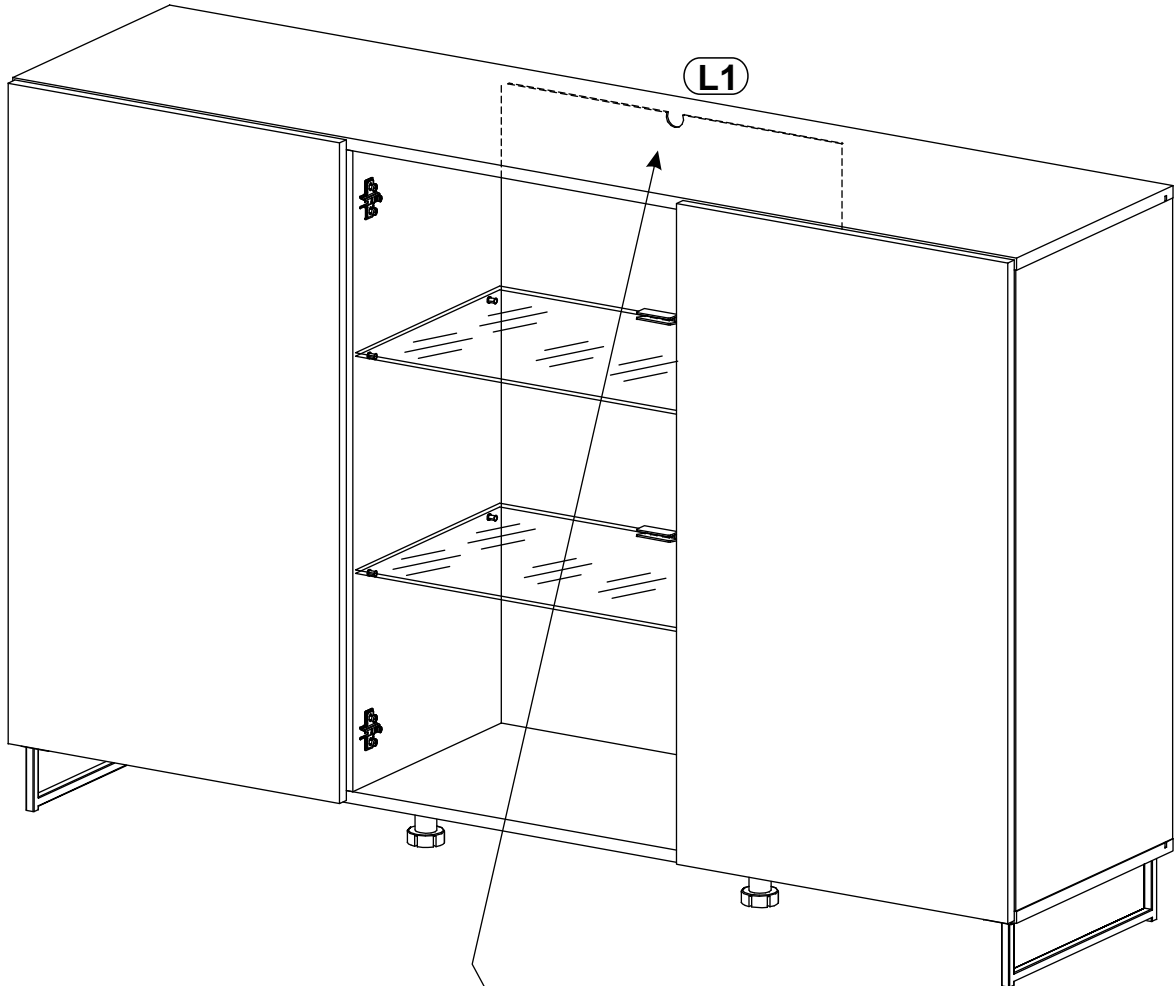
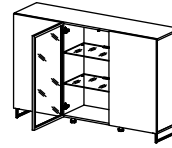
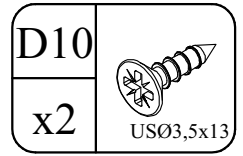
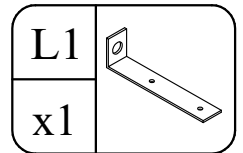
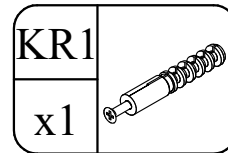
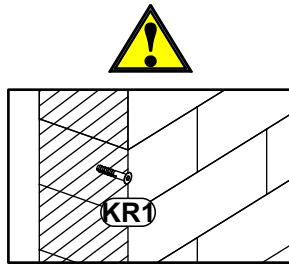
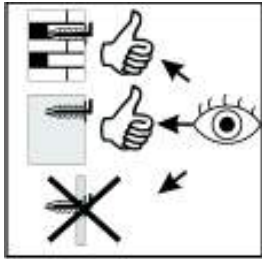
13



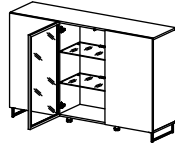
LED	
x1	x2



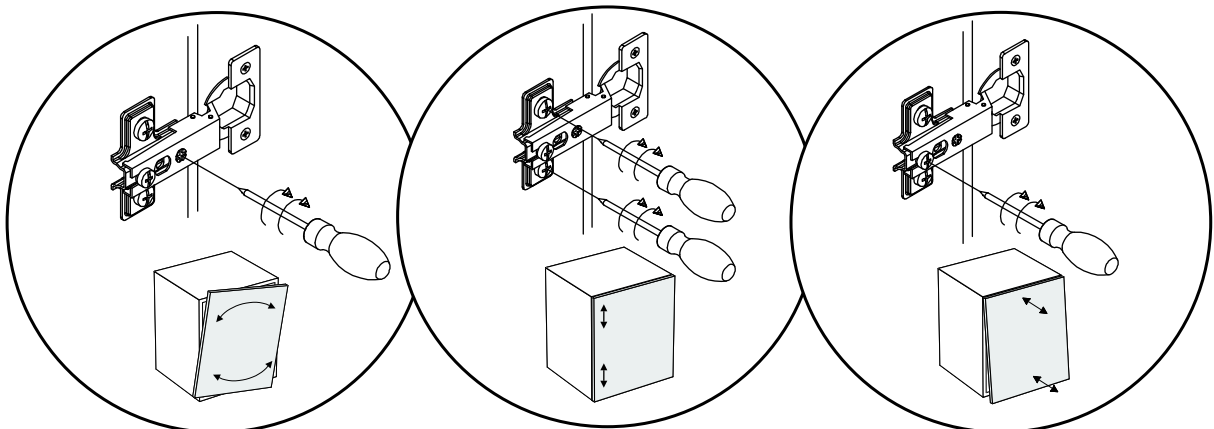
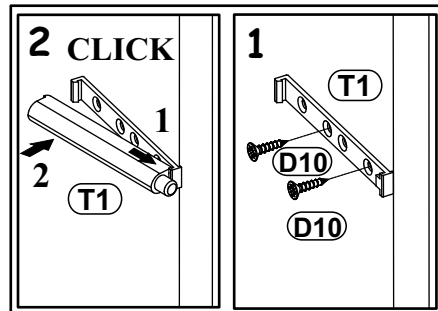
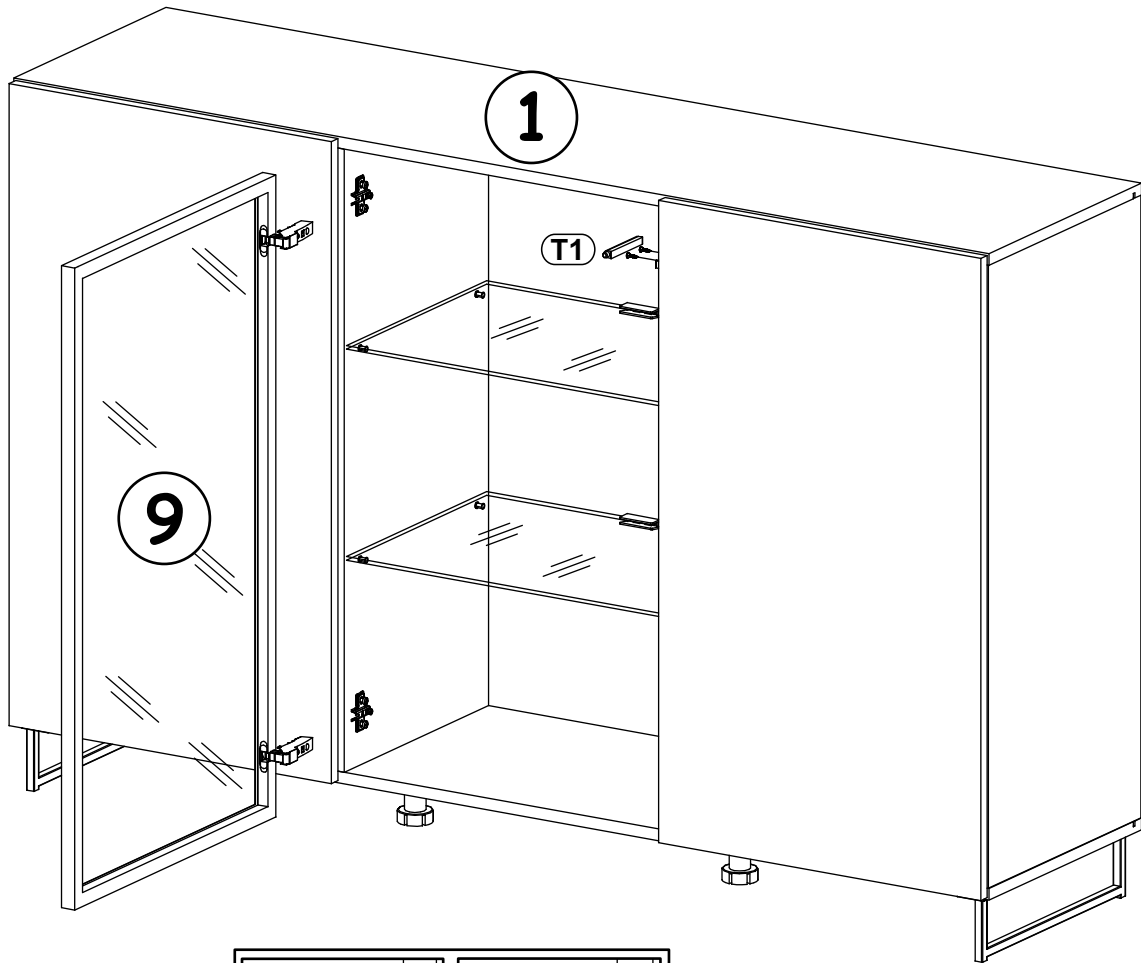
14



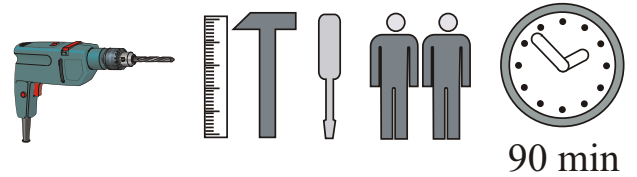
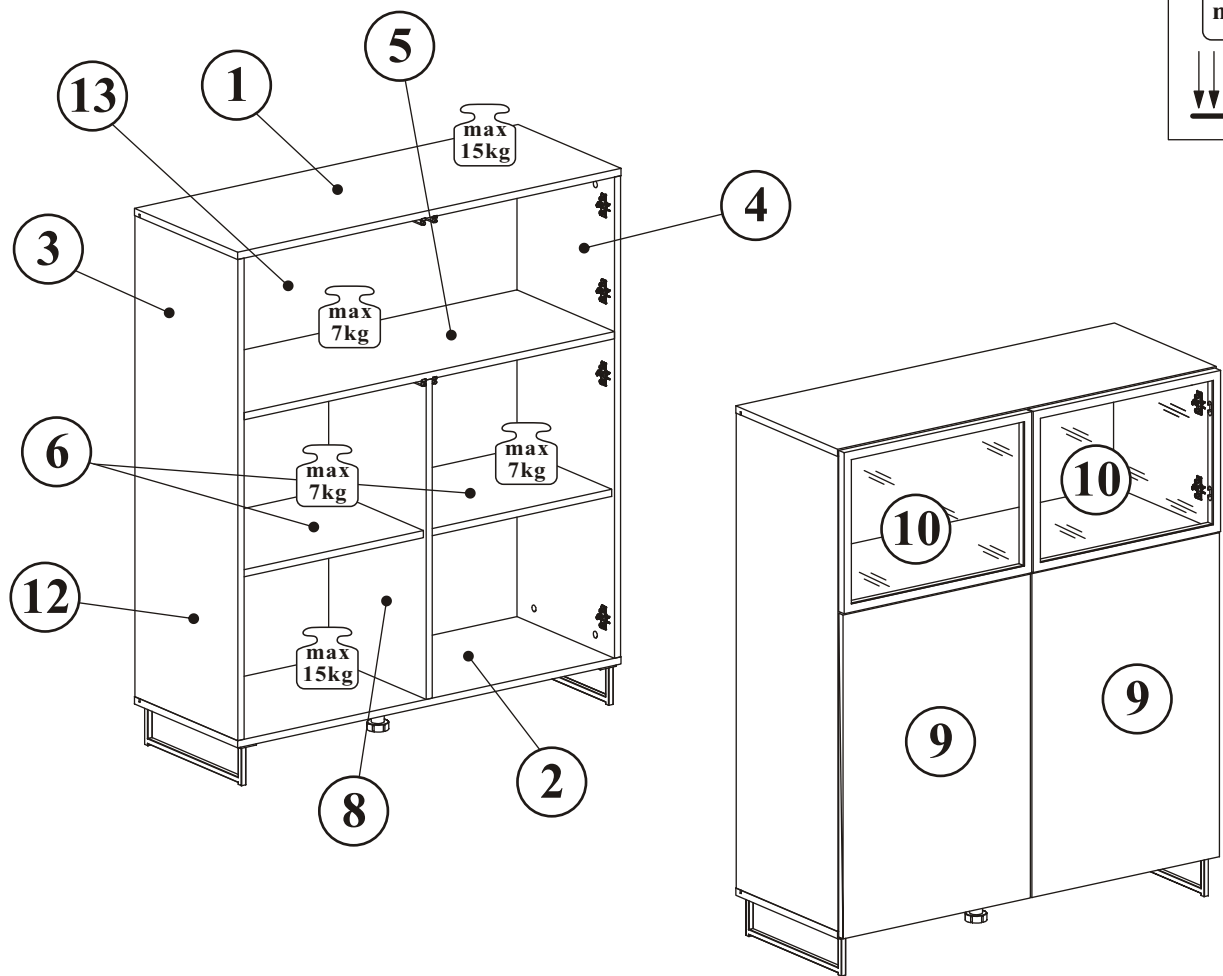
15



T1		D10	
x1		x2	USØ3,5x13



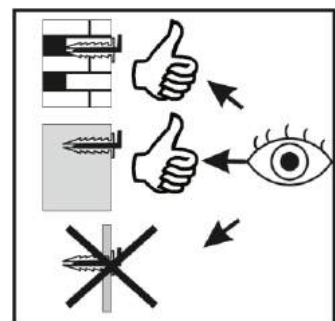
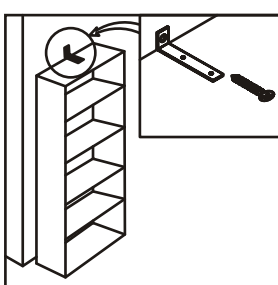
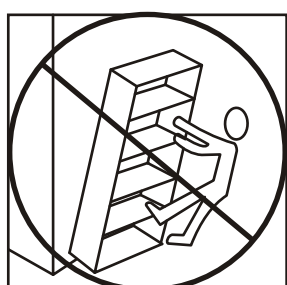
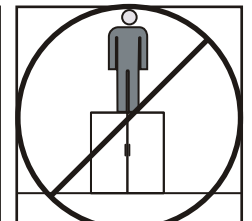
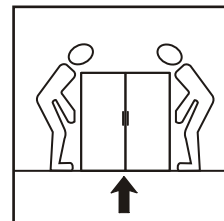
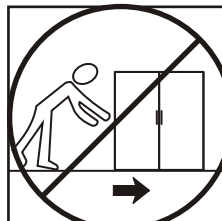
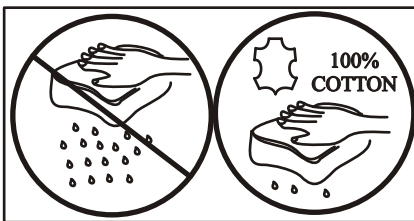
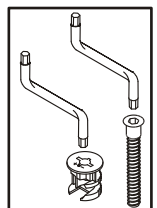
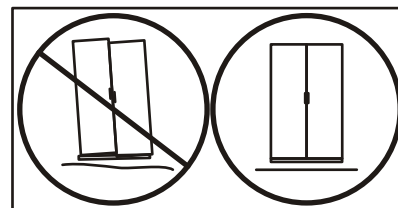
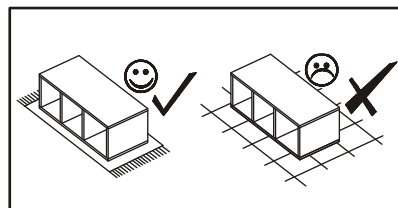
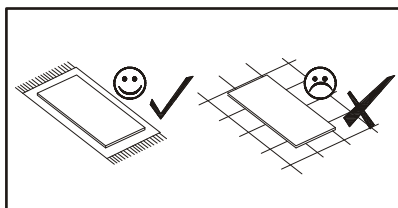
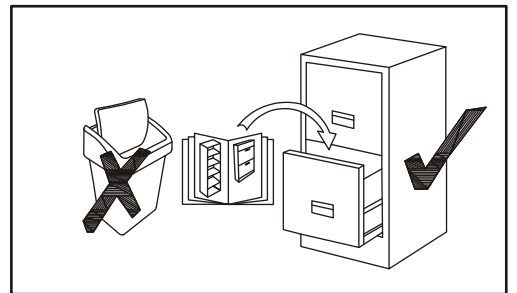
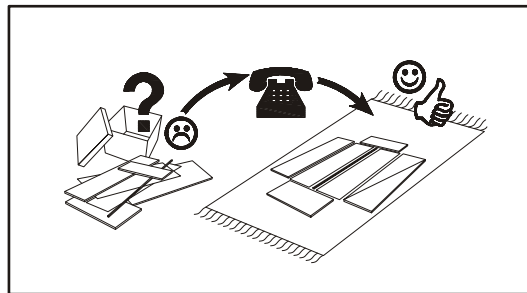
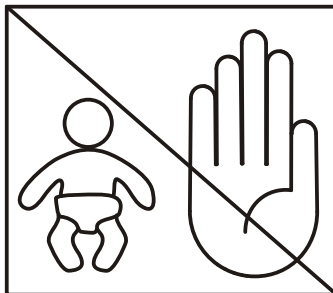
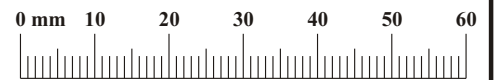
PLANK 29_PNWSN



NO	Dim.			Col-No	Qty
1	1002	376	16	2	1
2	1002	376	16	2	1
3	1074	376	16	2	1
4	1074	376	16	2	1
5	968	356	16	2	1
6	476	346	16	1	2
8	713	356	16	1	1
9	496	732	16	1	2
10	496	364	21	1	2
12	490	727	3	1	2
13	980	359	3	2	1

PLANK 29_PNWSN

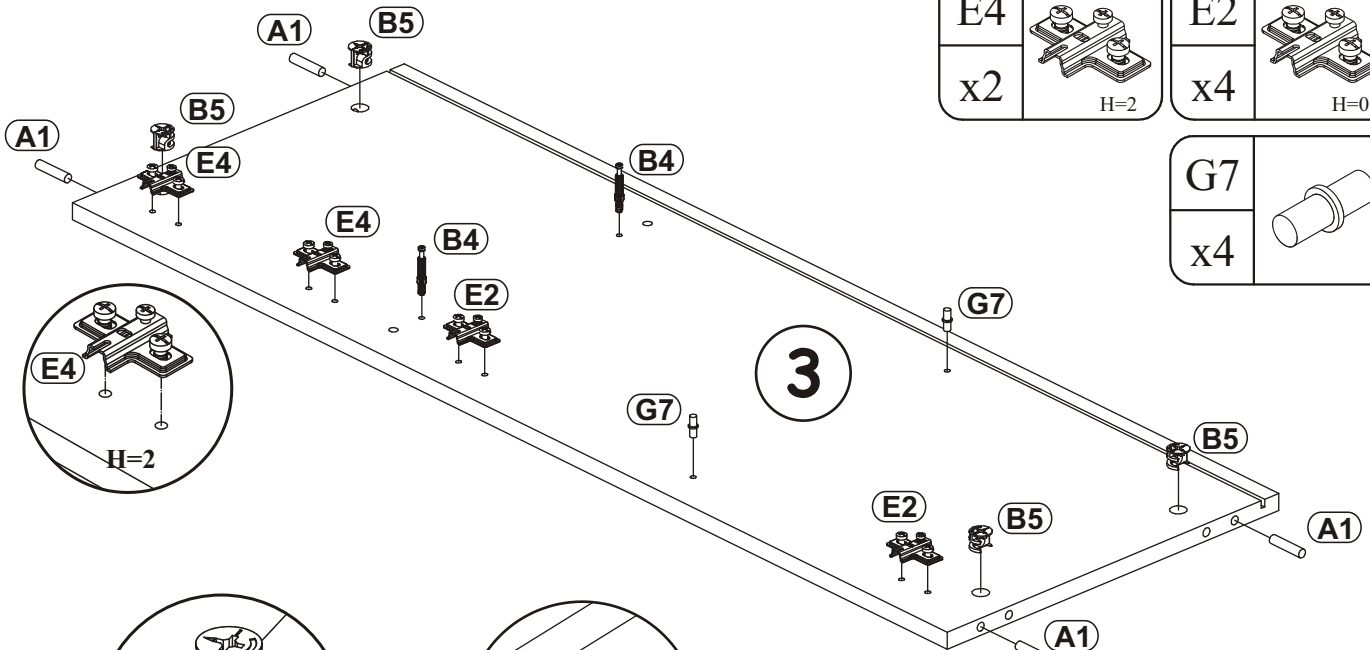
A1 x16 ø8x36	B4 x16	B5 x16 ø15x12	G5 x16	D30 x4 USØ3,5x16	I12 x1 L-100 mm.
S1 x16	E30 x4 H=0	E4 x4 H=2	E2 x4 H=0	E21 x4 Ø35 H=0	G7 x8
UP13 x10 UPØ3x16	D10 x18 USØ3,5x13	KR1 x1	L1 x1	LED x2	G2 x1
T1 x4	G16 x10	ST6 x2	UP5 x16 UPØ4x16		



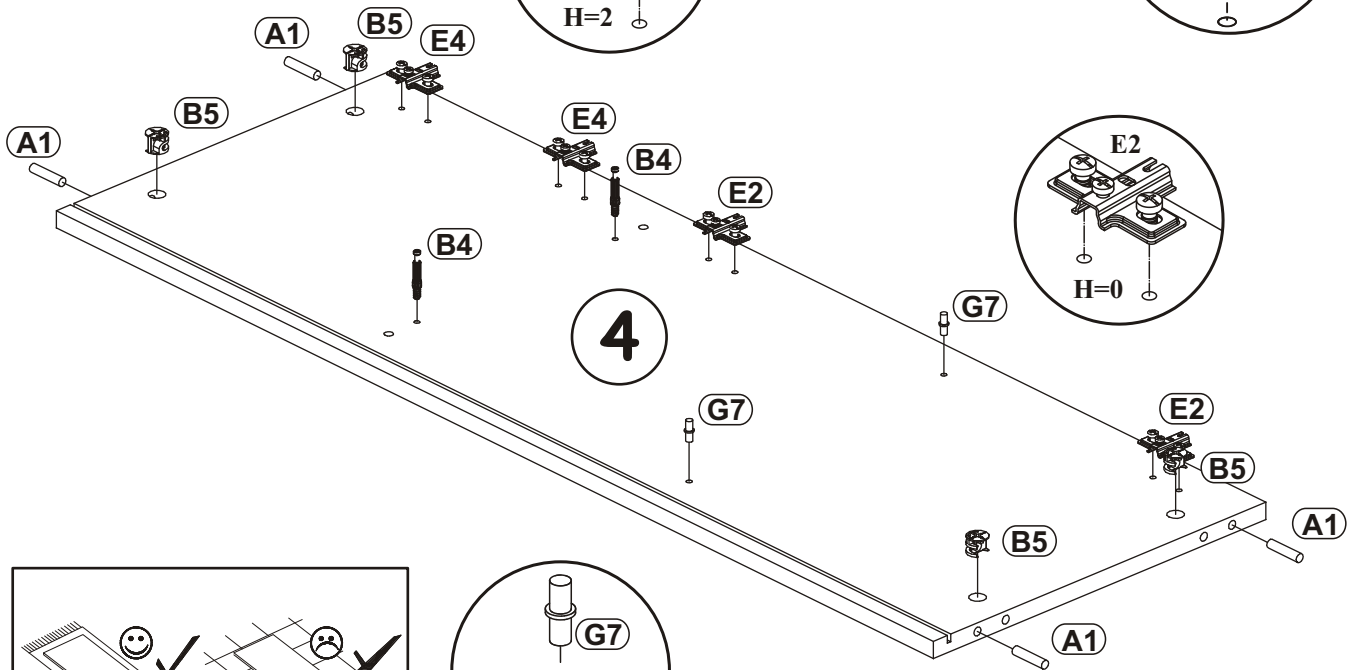
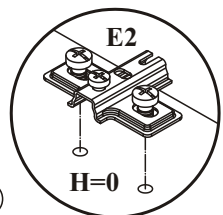
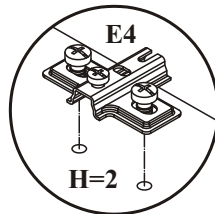
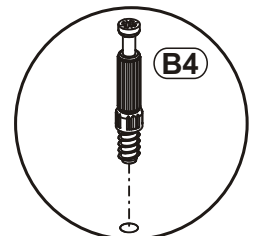
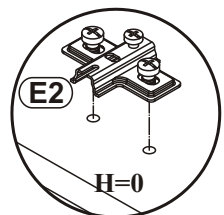
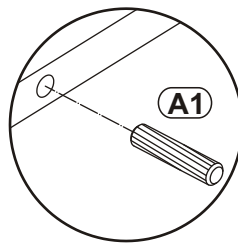
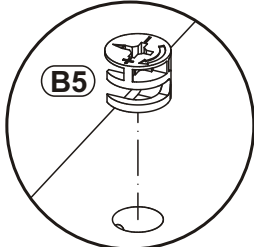
PLANK 29_PNWSN

1

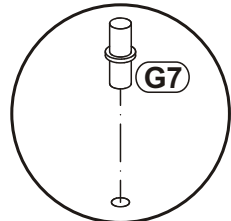
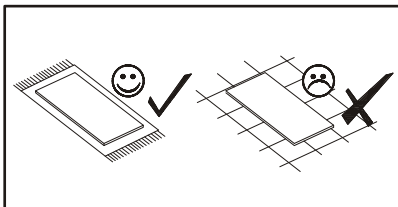
B4 x4		B5 x8		A1 x8	
E4 x2		E2 x4		G7 x4	



3

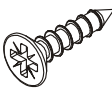



4

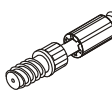


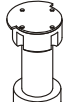
PLANK 29_PNWSN

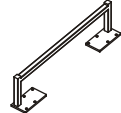
2

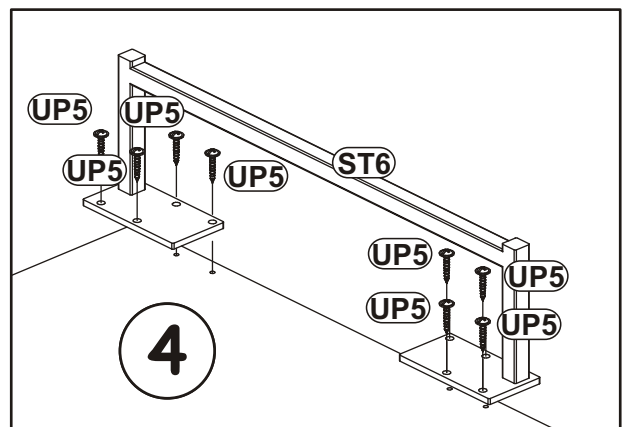
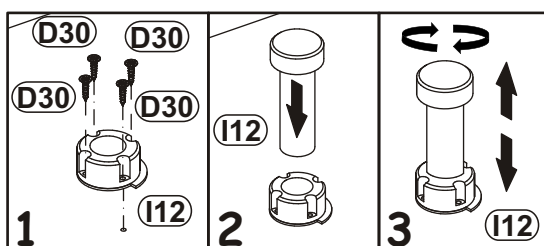
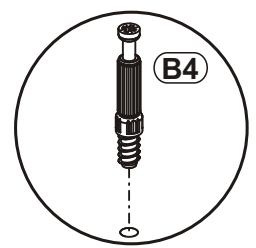
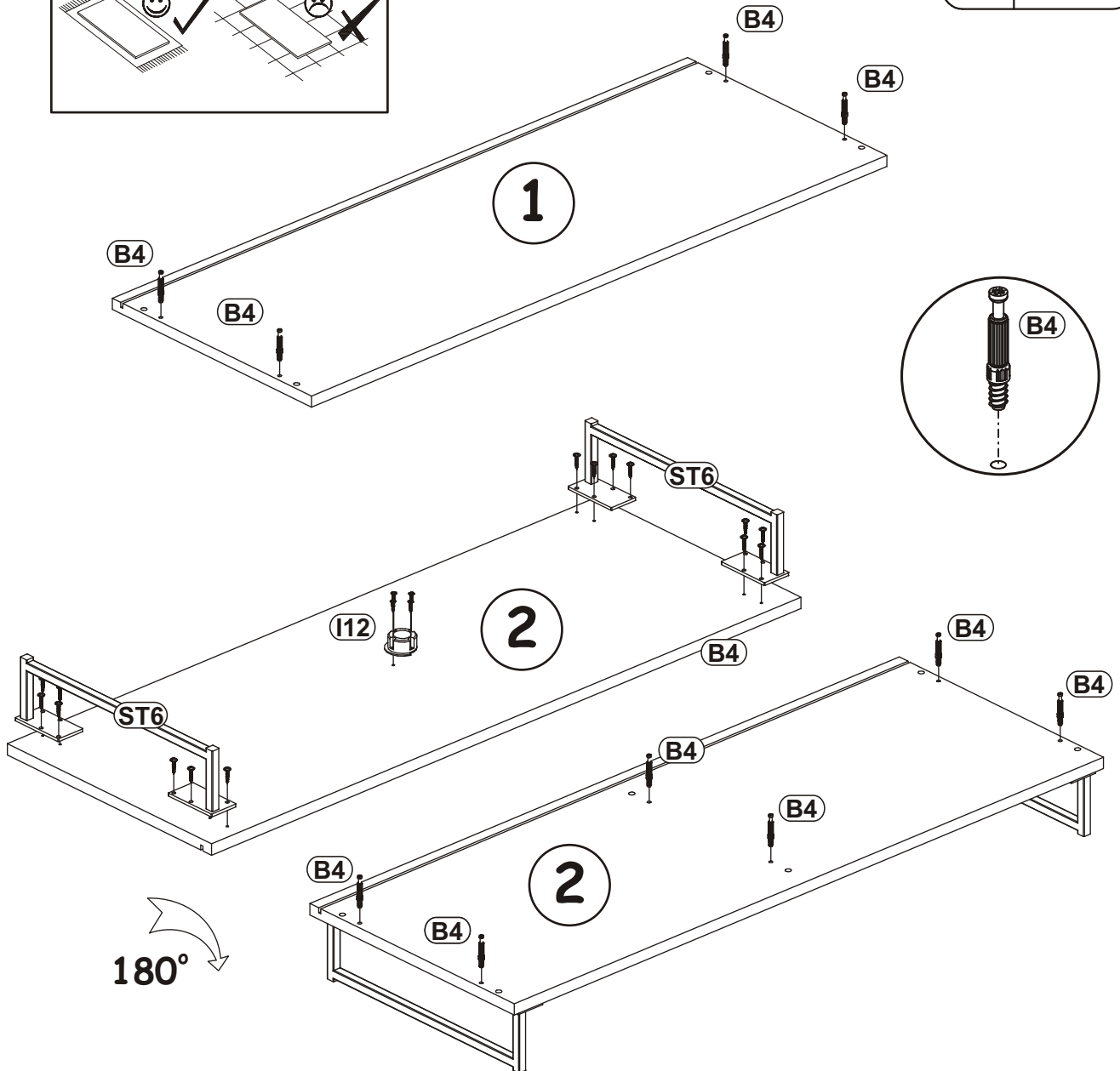
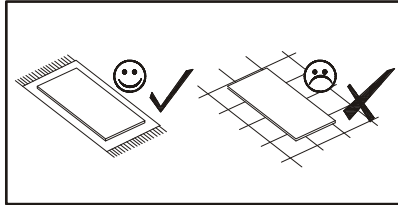
D30	
x4	USØ3,5x16

UP5	
x16	UPØ4x16

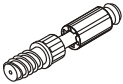
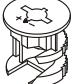
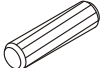
B4	
x10	

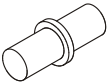
I12	
x1	L-100 mm.

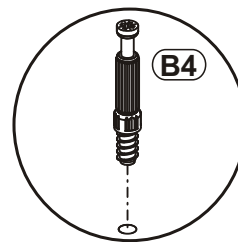
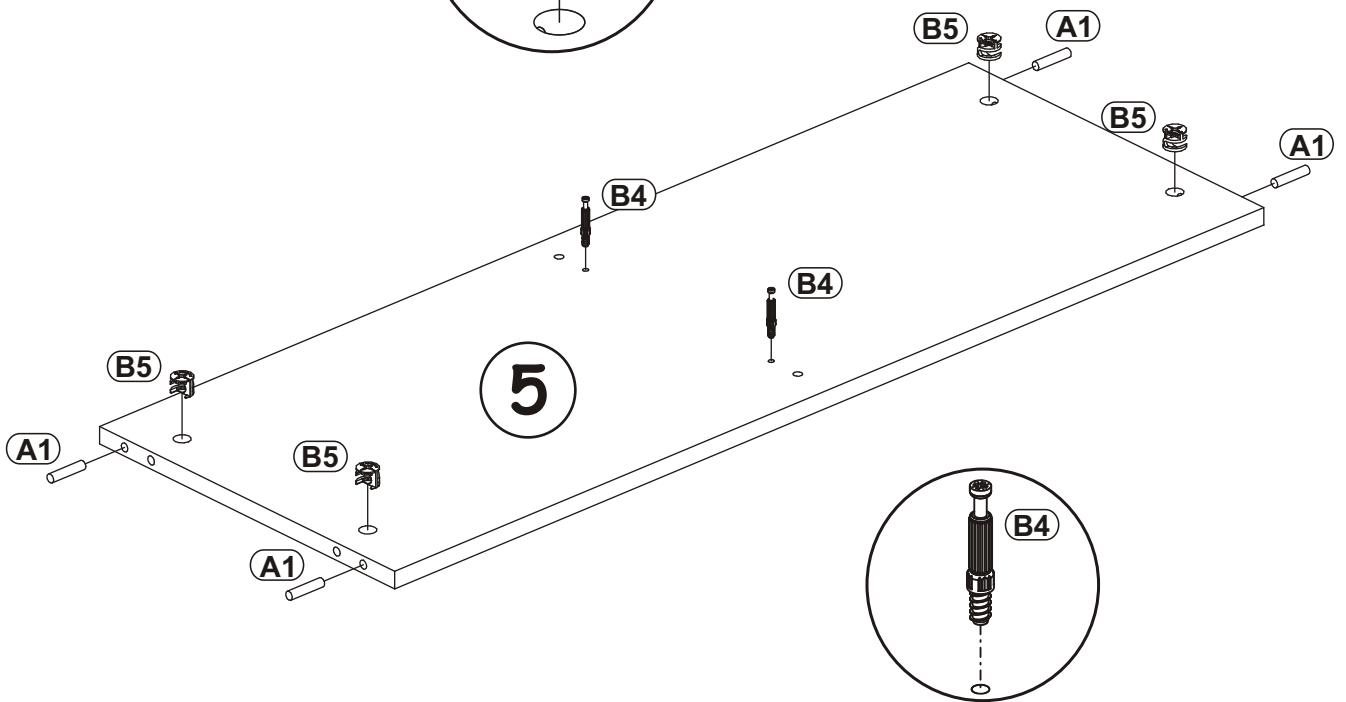
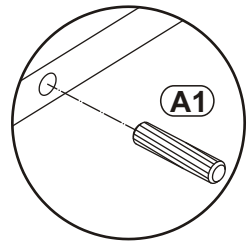
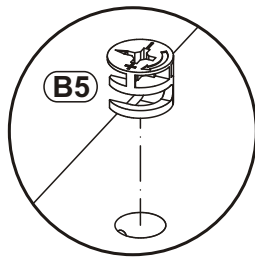
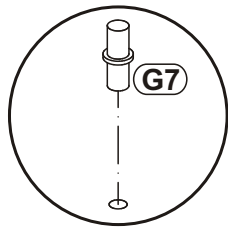
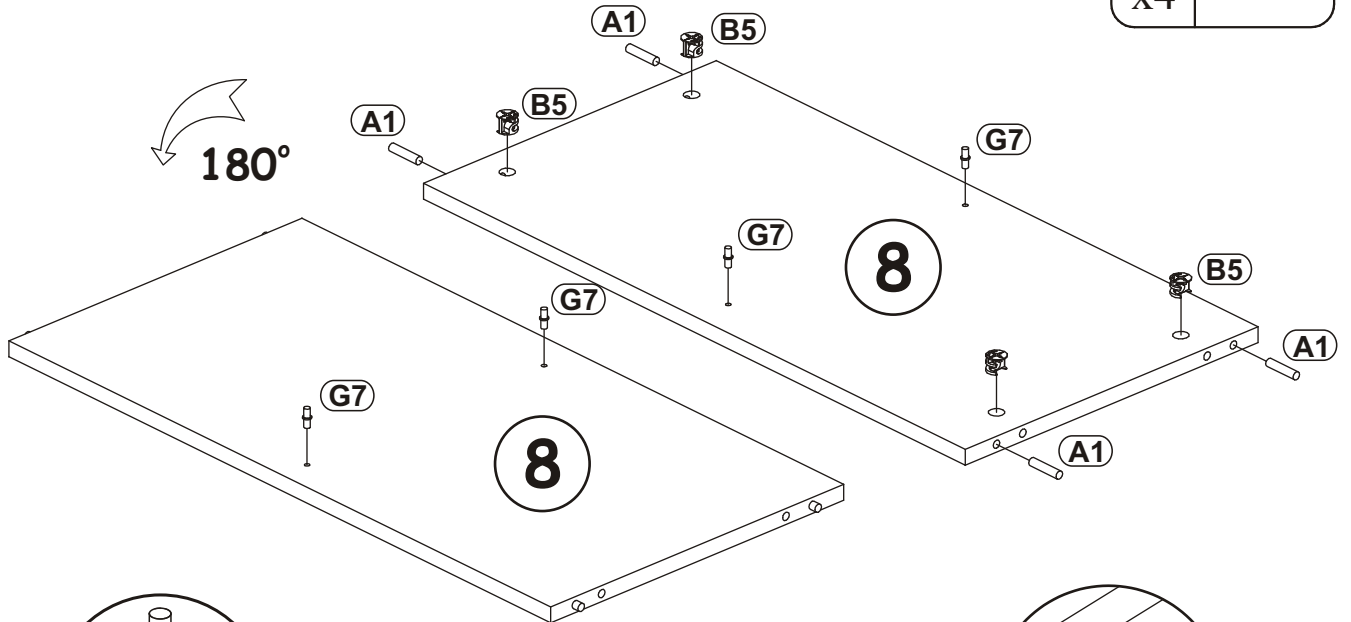
ST6	
x2	



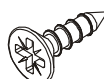
3

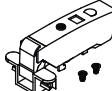
B4		B5		A1	
x2		x8	ø15x12	x8	ø8x36

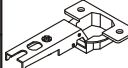
G7	
x4	



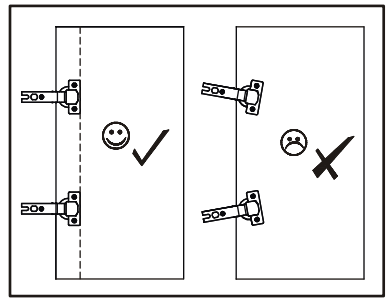
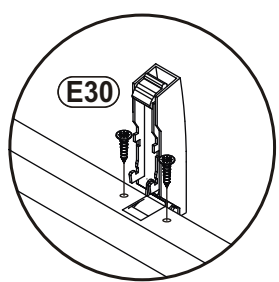
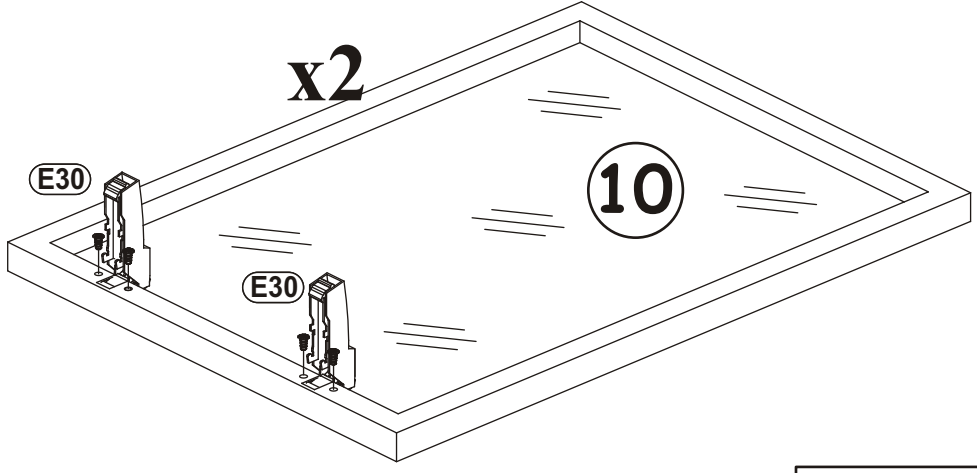
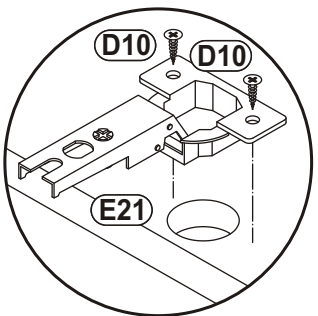
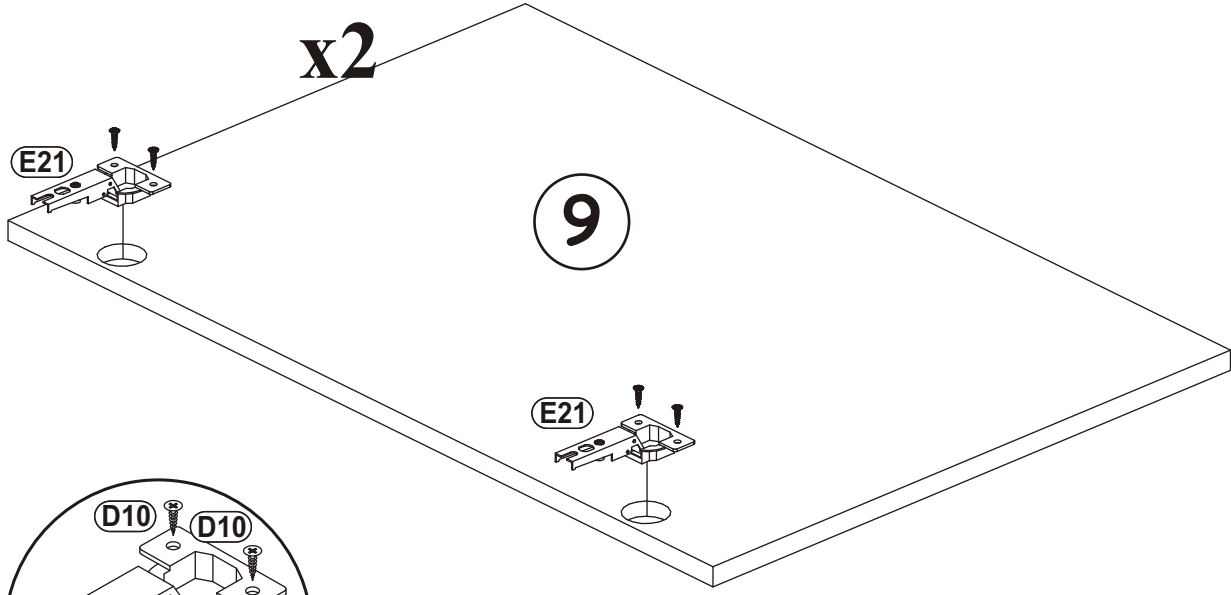
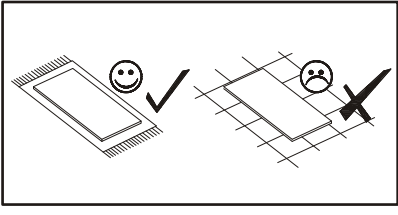
PLANK 29_PNWSN


D10	
x8	USØ3,5x13

E30	
x4	H=0

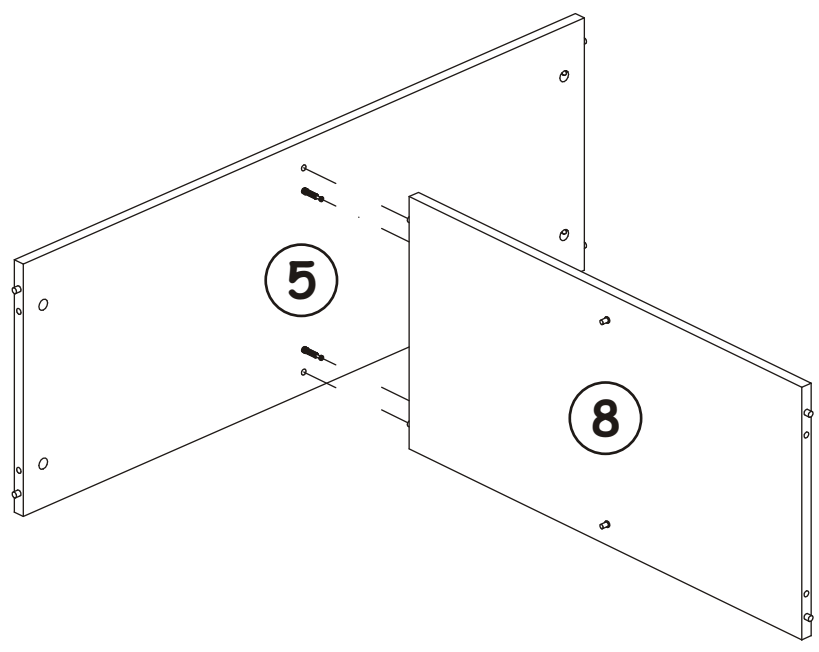
E21	Ø35
x4	
	H=0

4

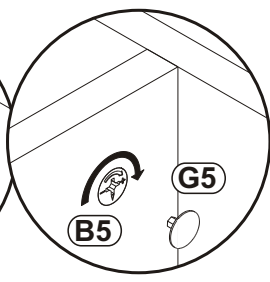
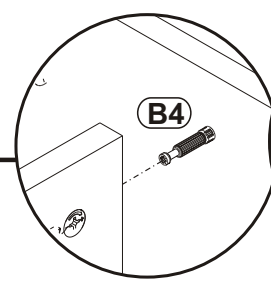
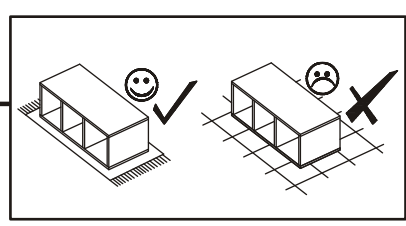



G5	
x2	

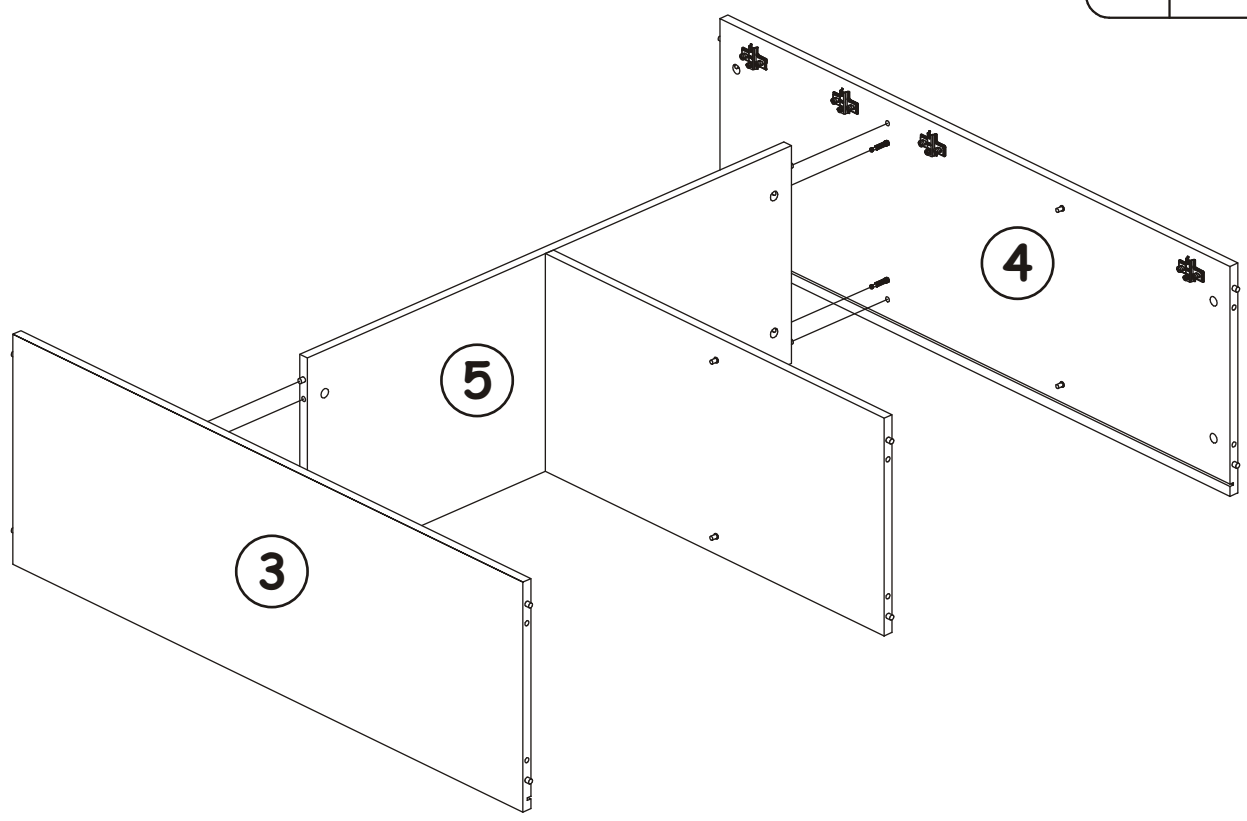
5




6



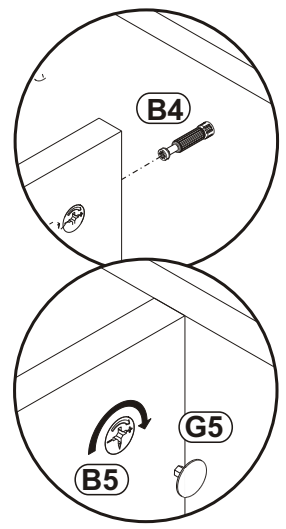
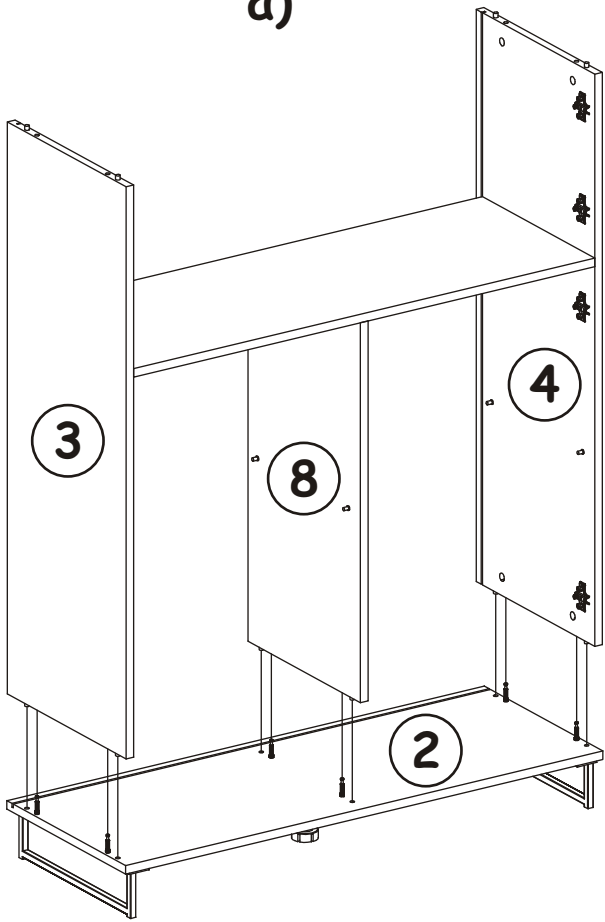
G5	
x4	



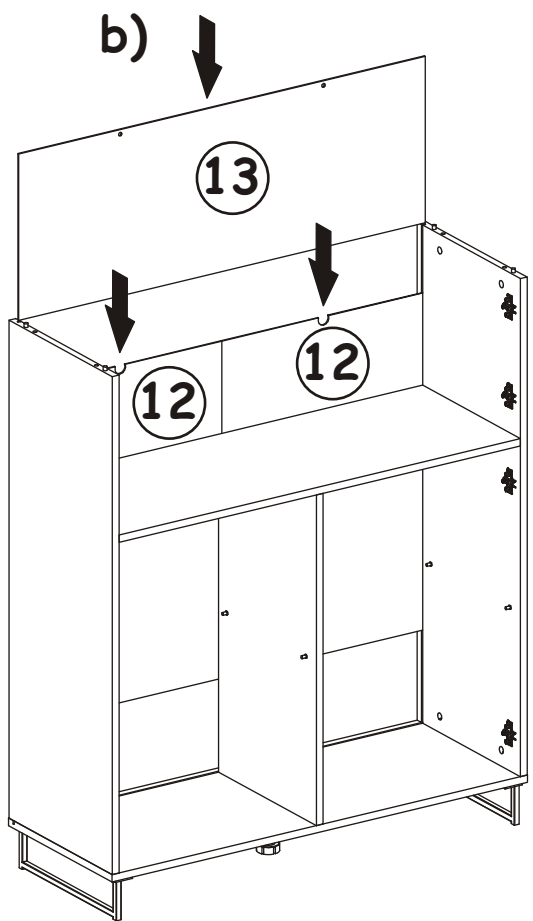
G5	
x10	

7

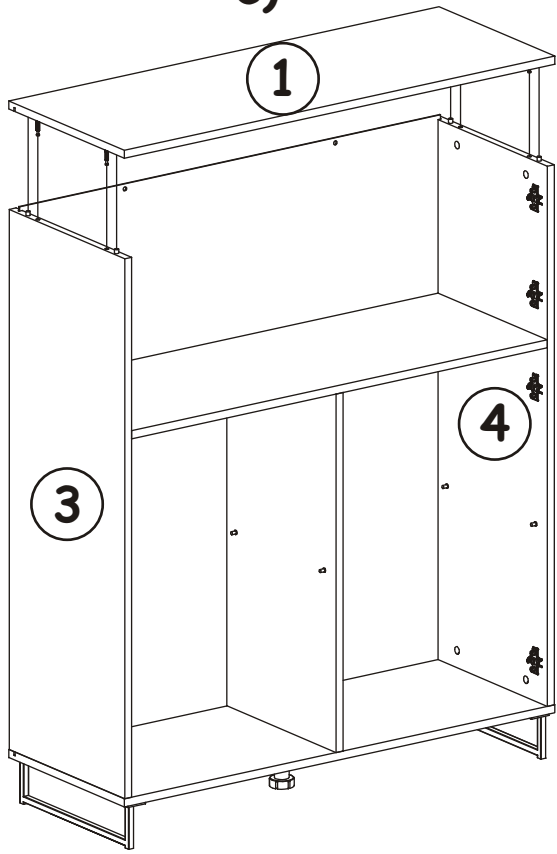
a)



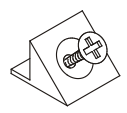
b)

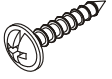


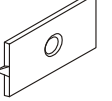
c)

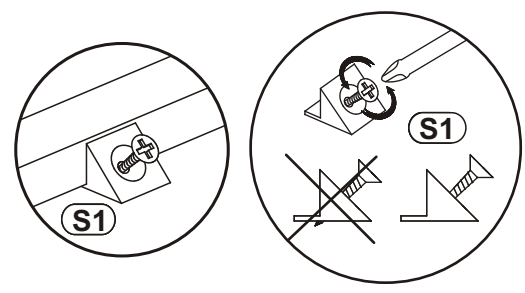
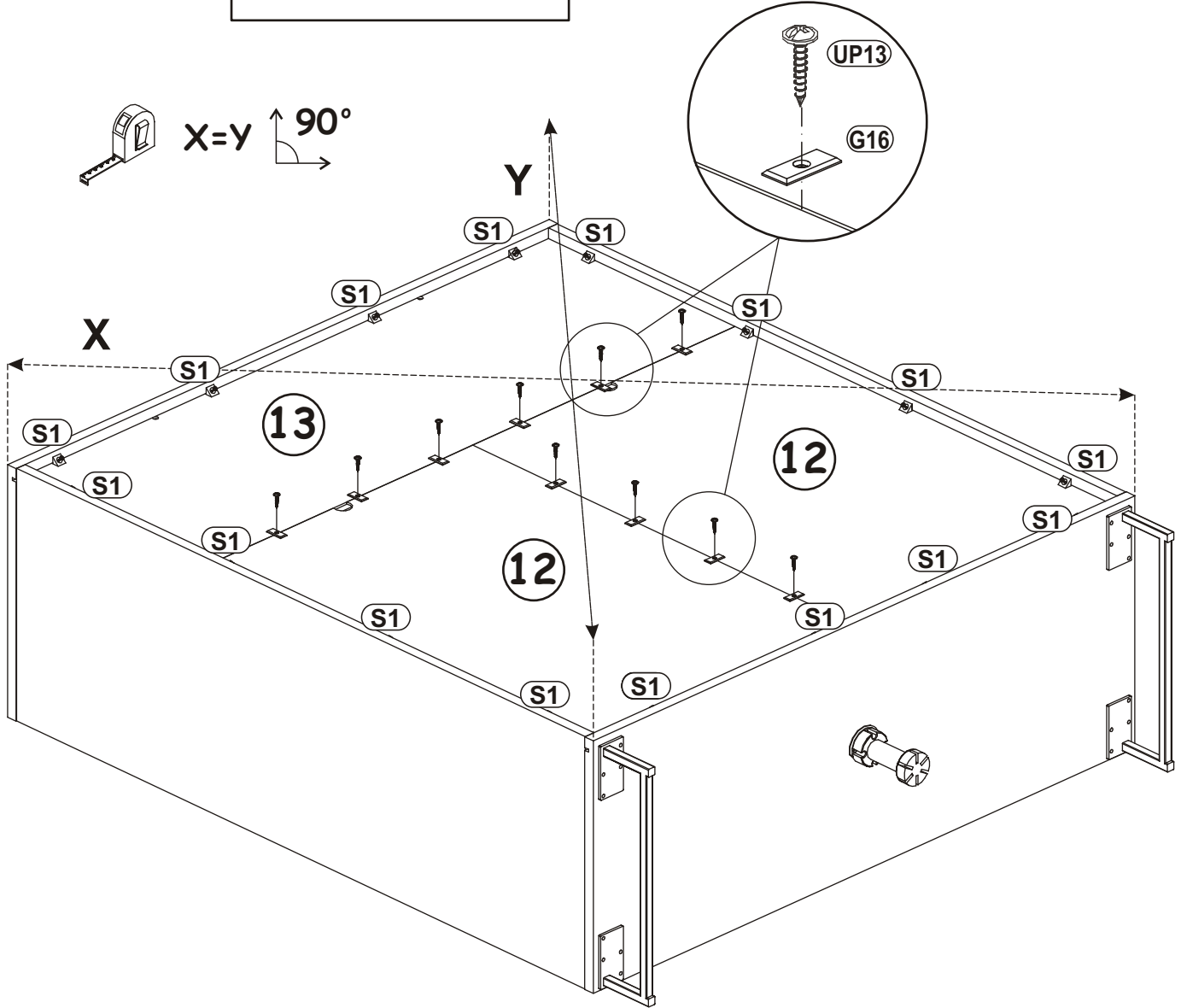
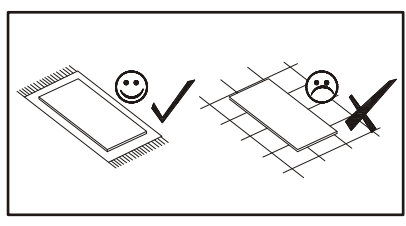


8

S1	
x16	

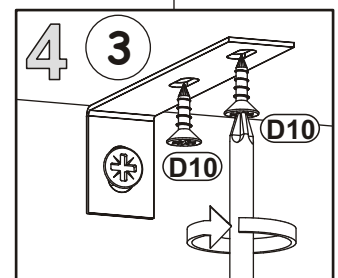
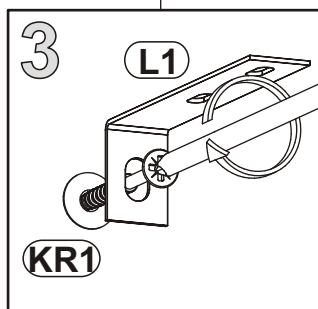
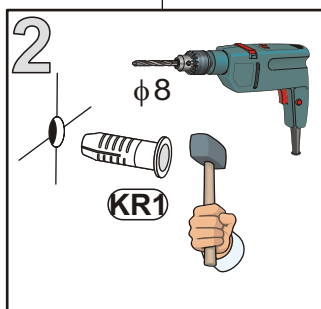
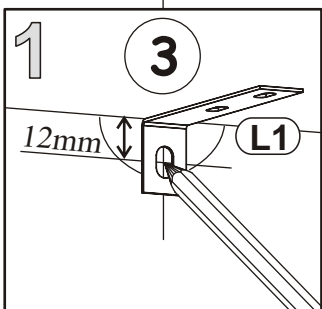
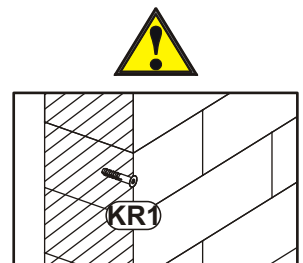
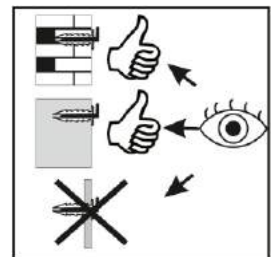
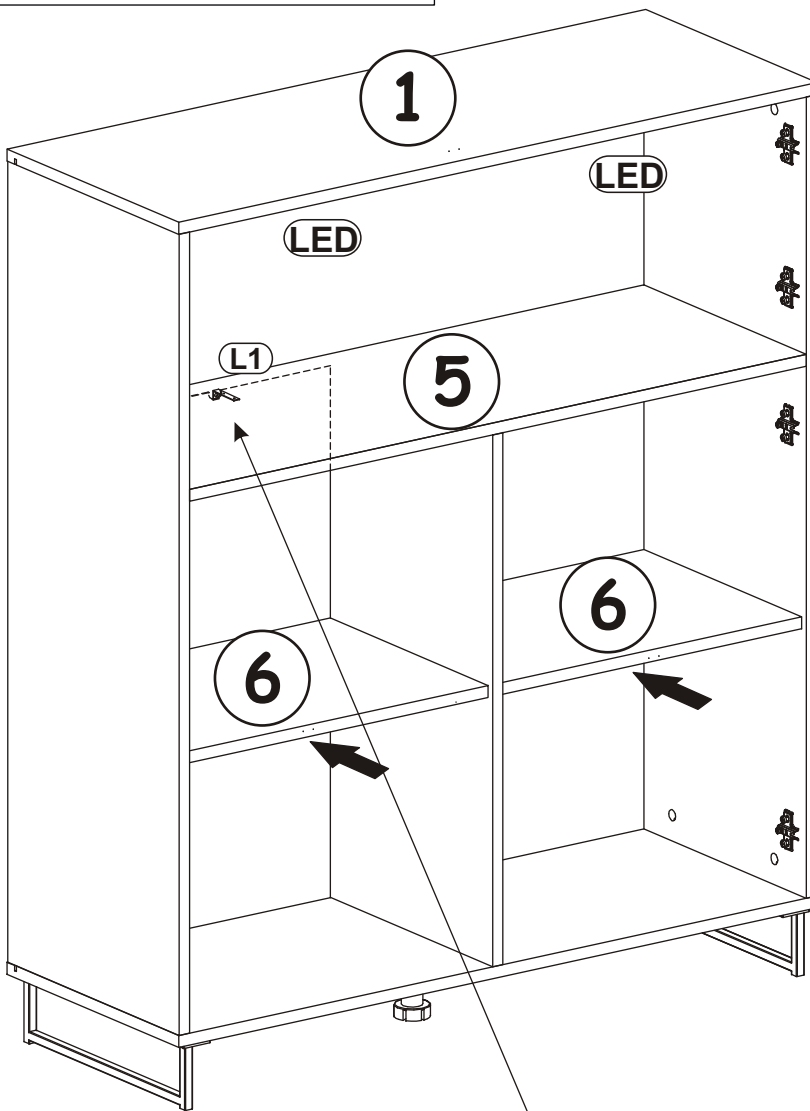
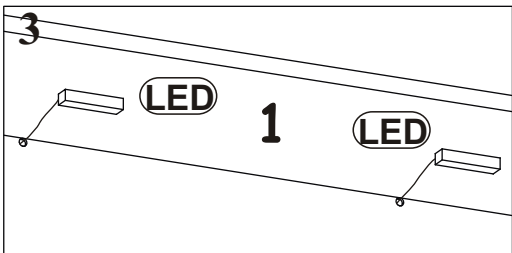
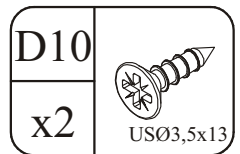
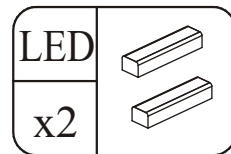
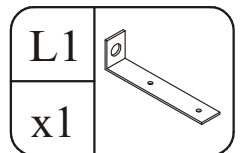
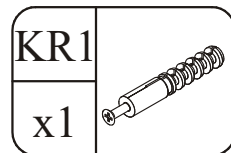
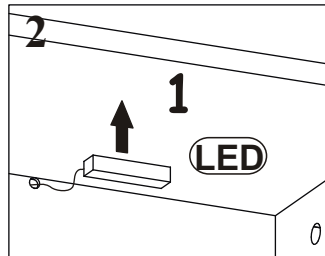
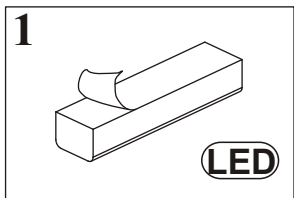
UP13	
x10	

G16	
x10	

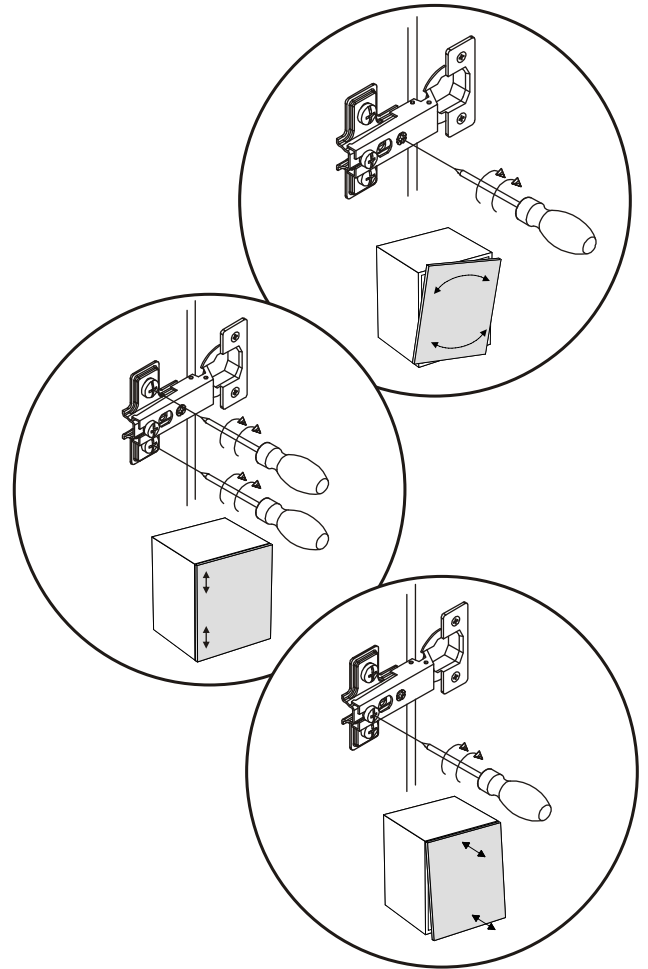
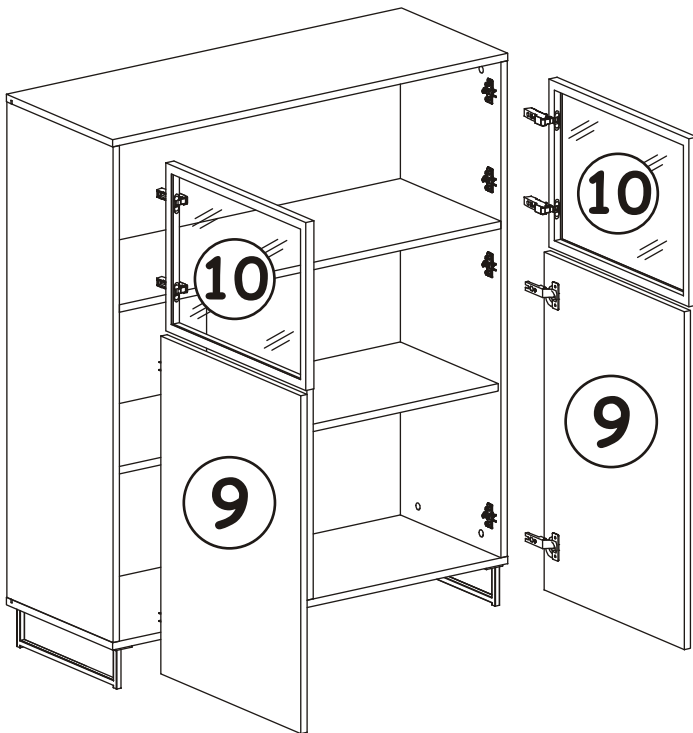


PLANK 29_PNWSN

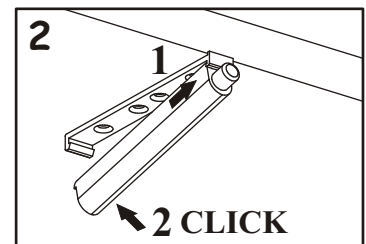
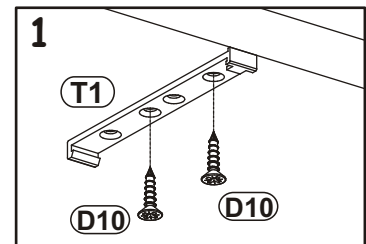
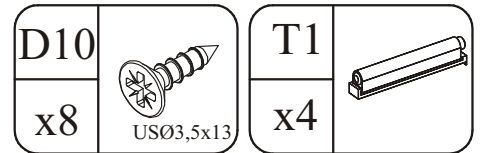
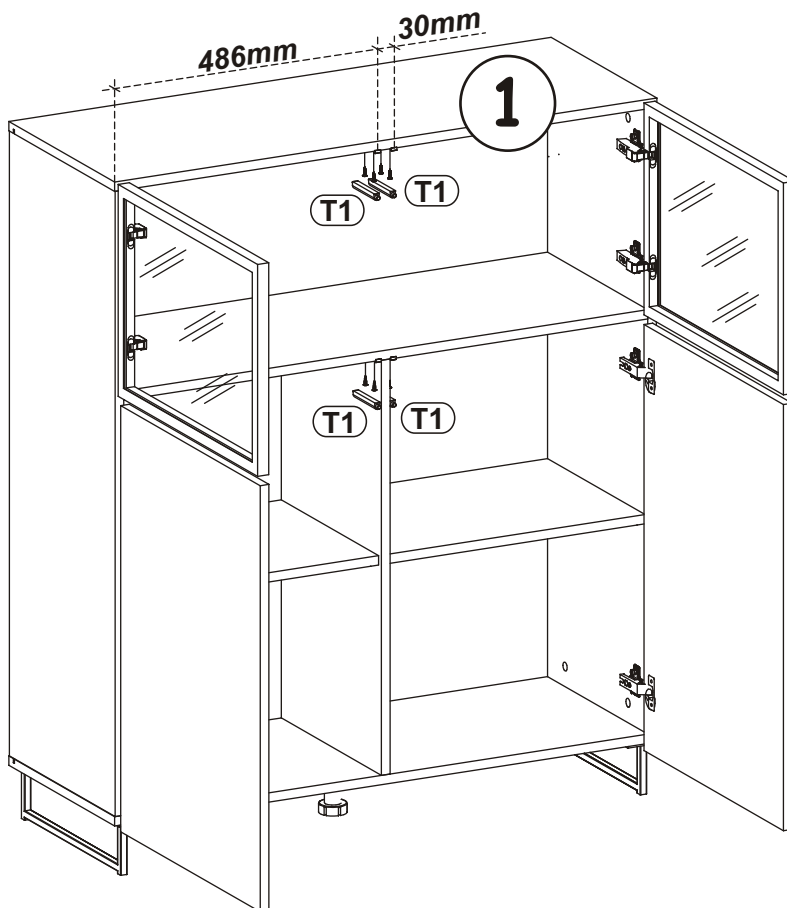
9



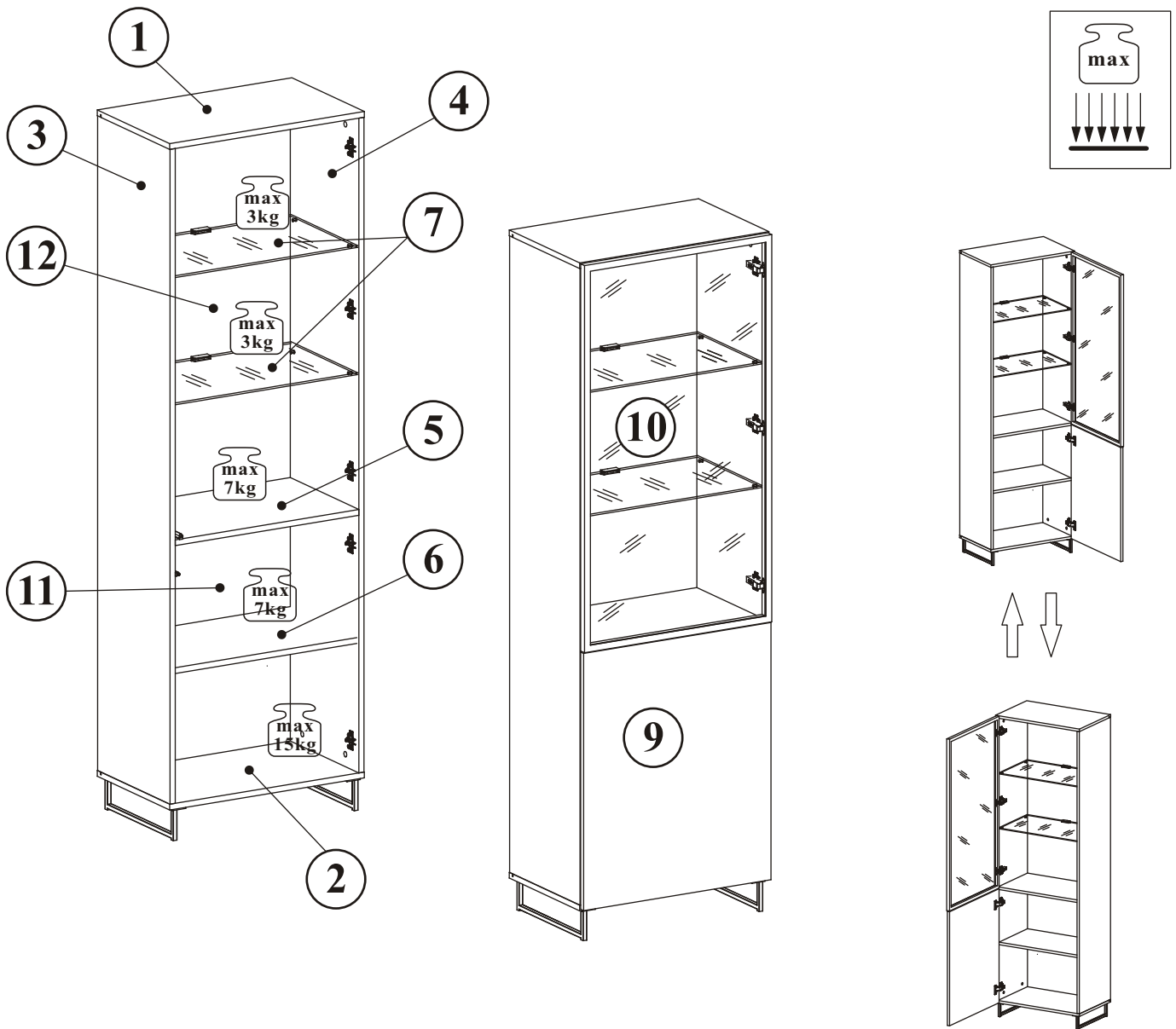
10



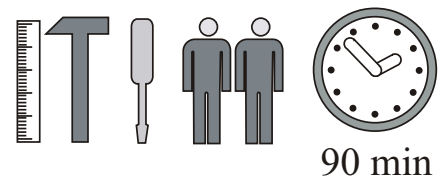
11



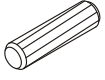
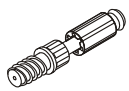
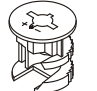

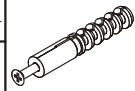
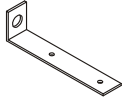
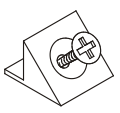
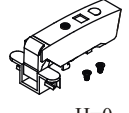
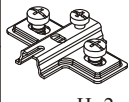
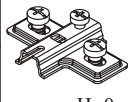
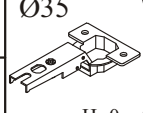
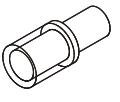

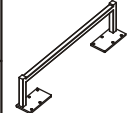

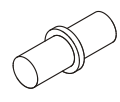
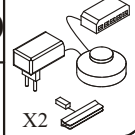

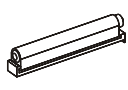
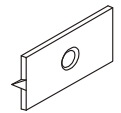


PLANK 29_PNWSW

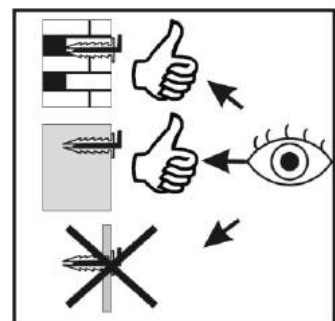
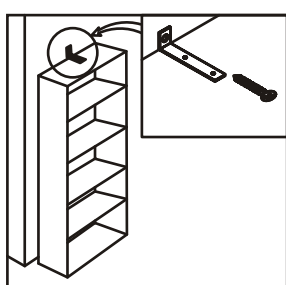
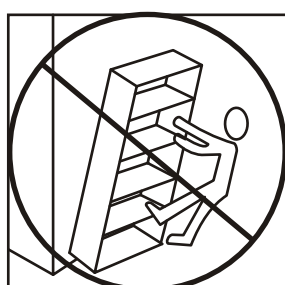
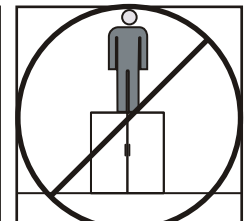
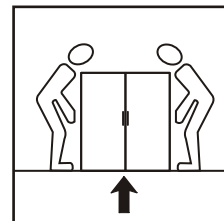
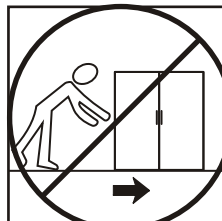
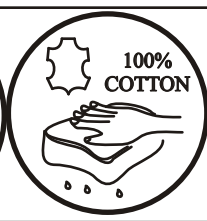
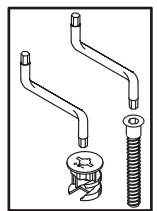
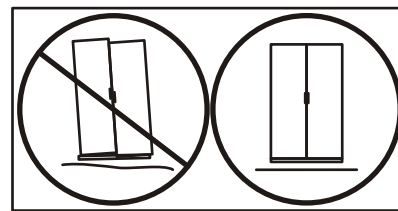
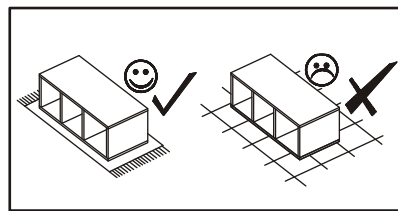
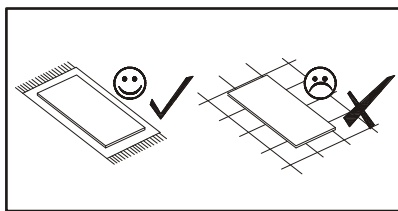
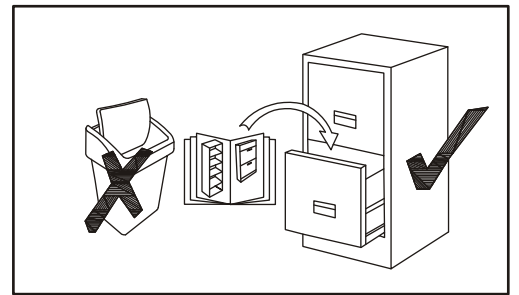
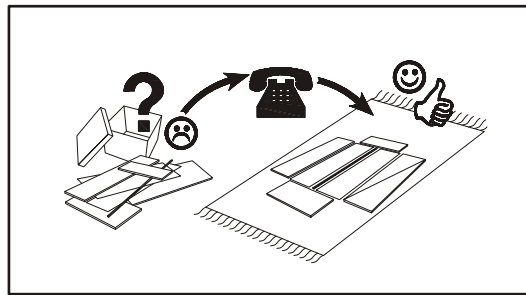
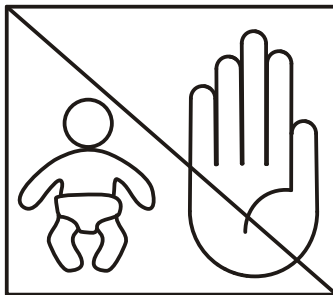
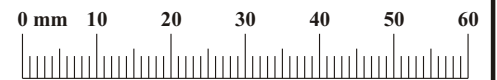


NO	Dim.			Col-No	Qty
1	602	376	16	1	1
2	602	376	16	1	1
3	1812	376	16	1	1
4	1812	376	16	1	1
5	568	356	16	1	1
6	568	346	16	1	1
7	567	346	5	1	2
9	596	732	16	1	1
10	596	1102	21	1	1
11	580	727	3	1	1
12	1097	580	3	1	1



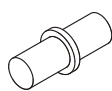

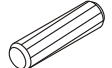
PLANK 29_PNWSW

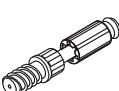
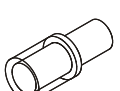
A1 x12  ø8x36	B4 x12 	B5 x12  ø15x12	G5 x12 	KR1 x1 	L1 x1 
S1 x16 	E30 x3  H=0	E4 x3  H=2	E2 x2  H=0	E21 x2  Ø35 H=0	G20 x8 
Z2 x10  Ø5	ST6 x2 	UP5 x16  UPØ4x16	G7 x4 	LED x1  x2	G2 x1 
T1 x2 	G16 x4 	UP13 x4  UPØ3x16	D10 x10  USØ3,5x13		

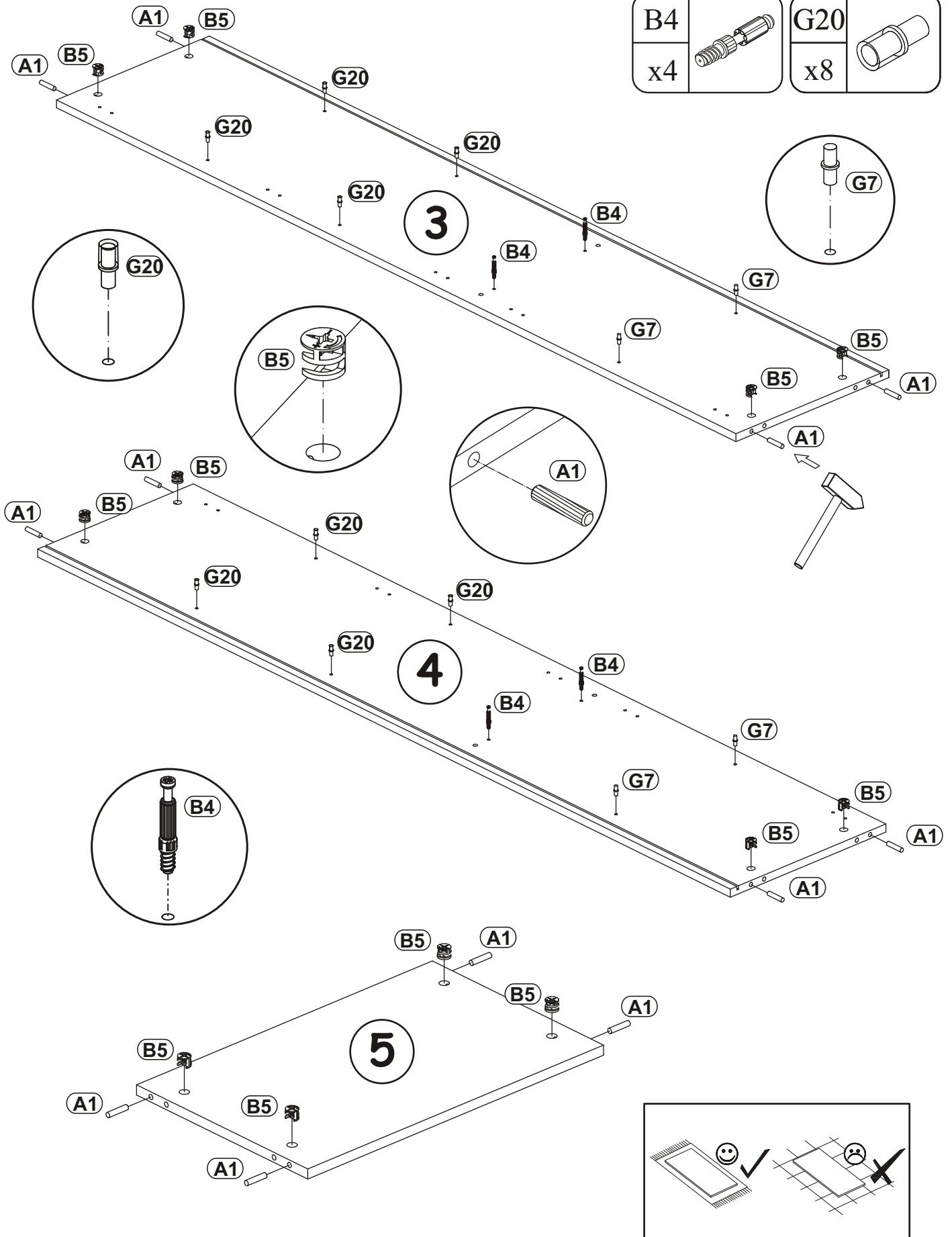


PLANK 29_PNWSW

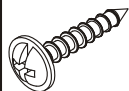
1

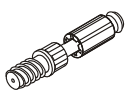
G7		B5		A1	
x4		x12	ø15x12	x12	ø8x36

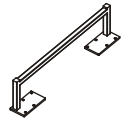
B4		G20	
x4		x8	



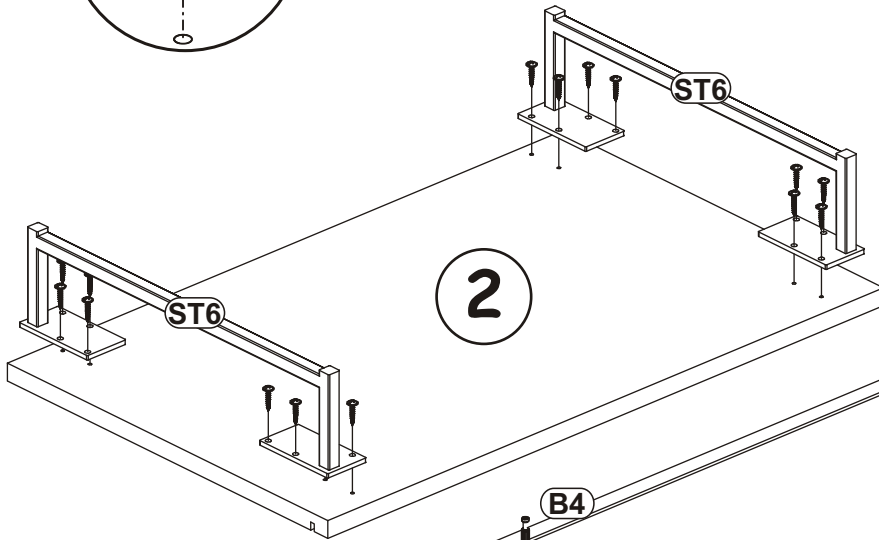
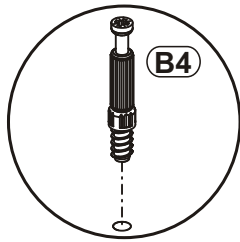
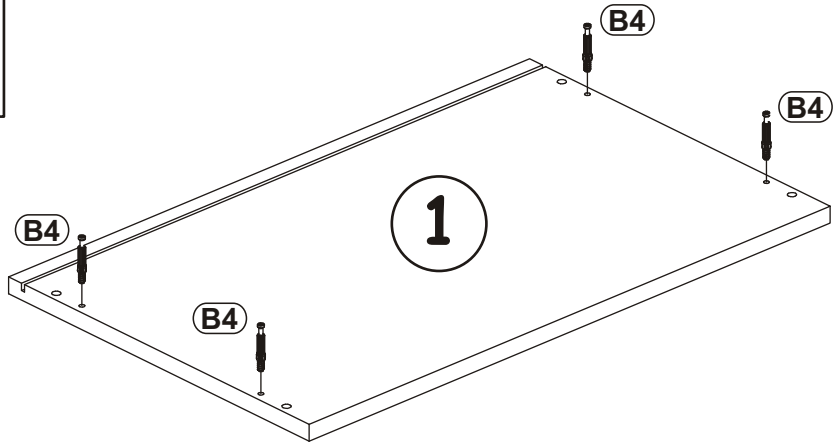
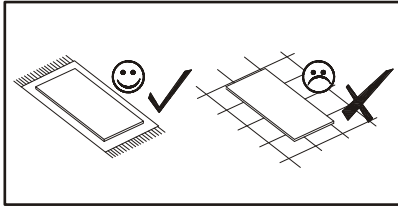
PLANK 29_PNWSW

UP5	
x16	UPØ4x16

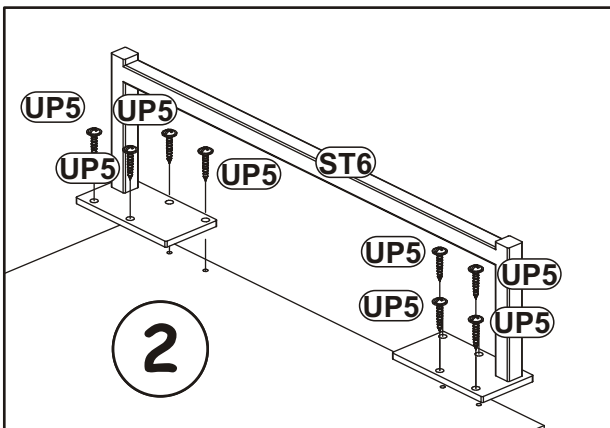
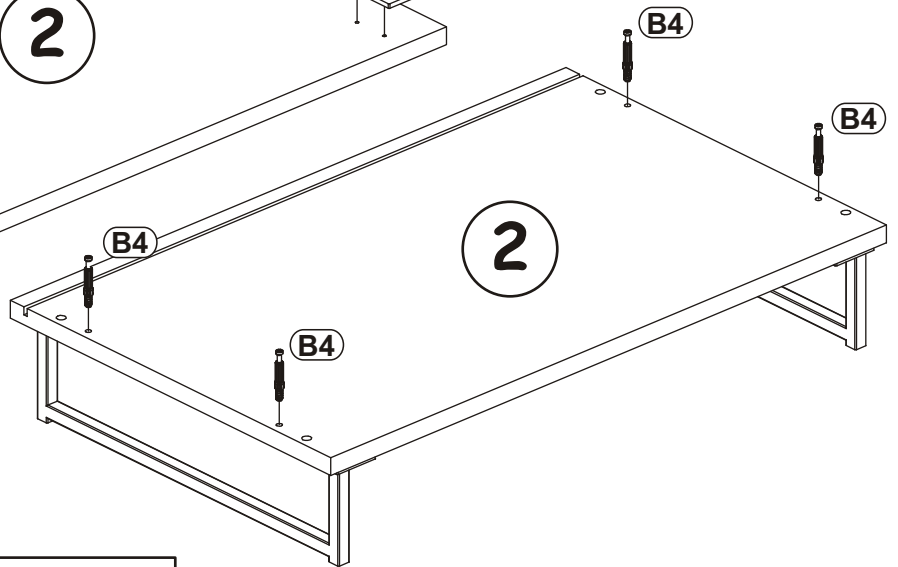
B4	
x8	

ST6	
x2	

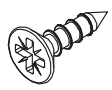
2

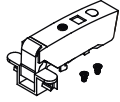


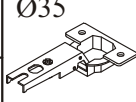
180°



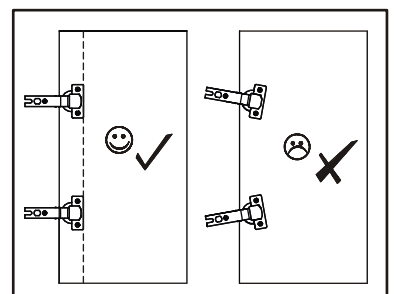
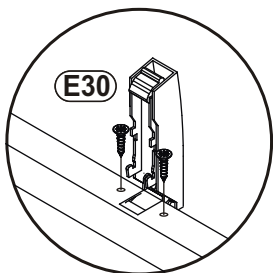
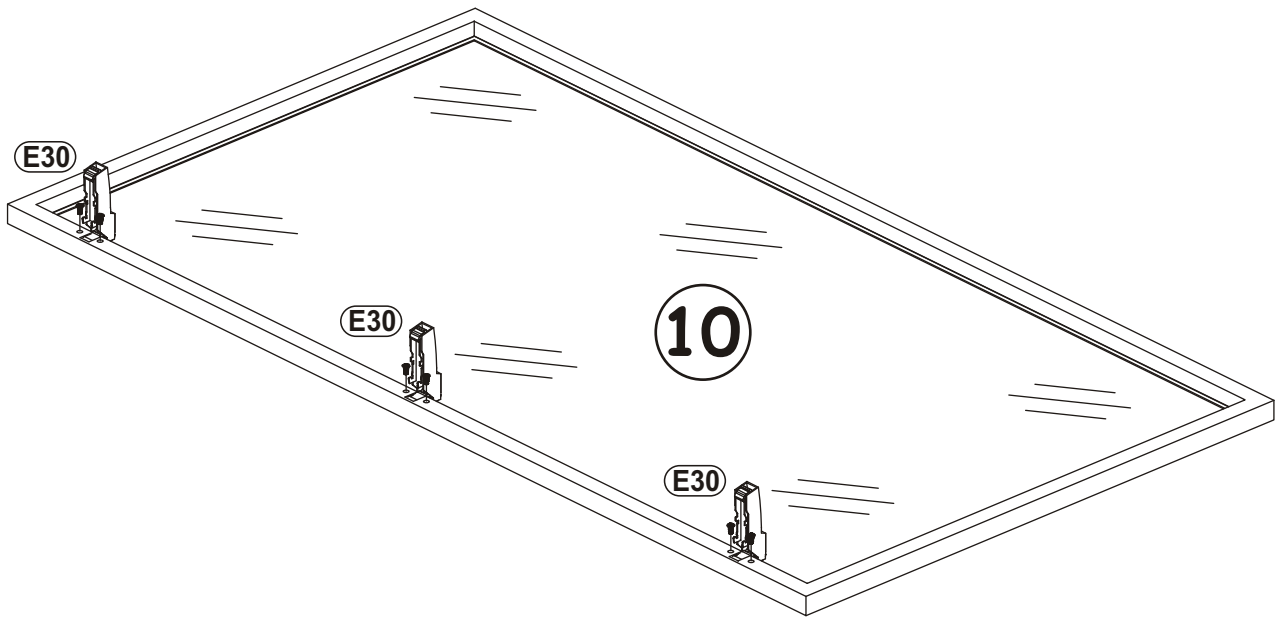
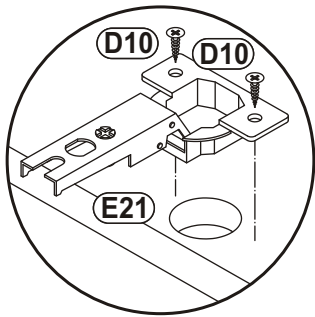
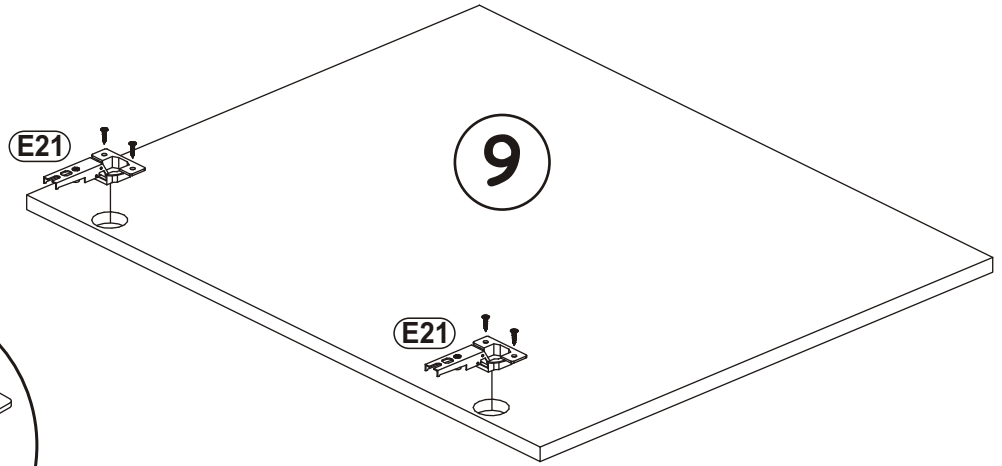
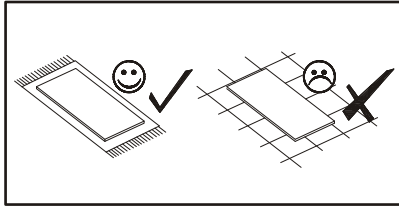
PLANK 29_PNWSW


D10	
x4	USØ3,5x13

E30	
x3	H=0

E21	
x2	Ø35 H=0

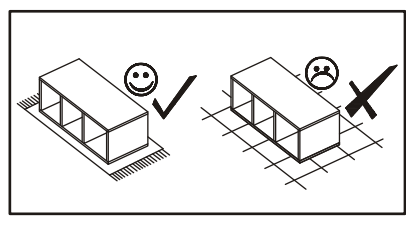
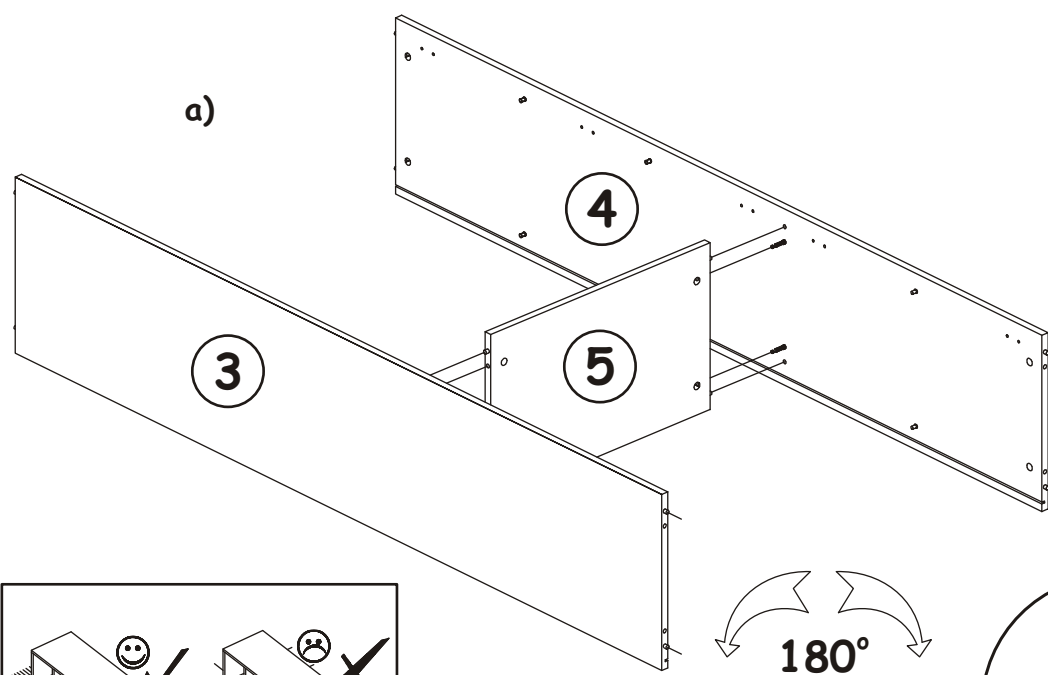
3



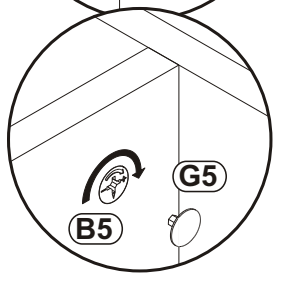
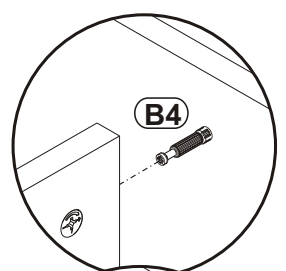
G5	
x4	

4

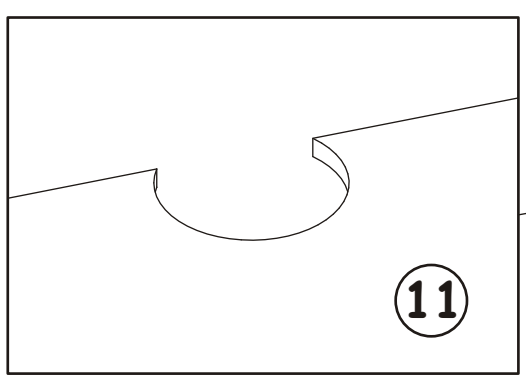
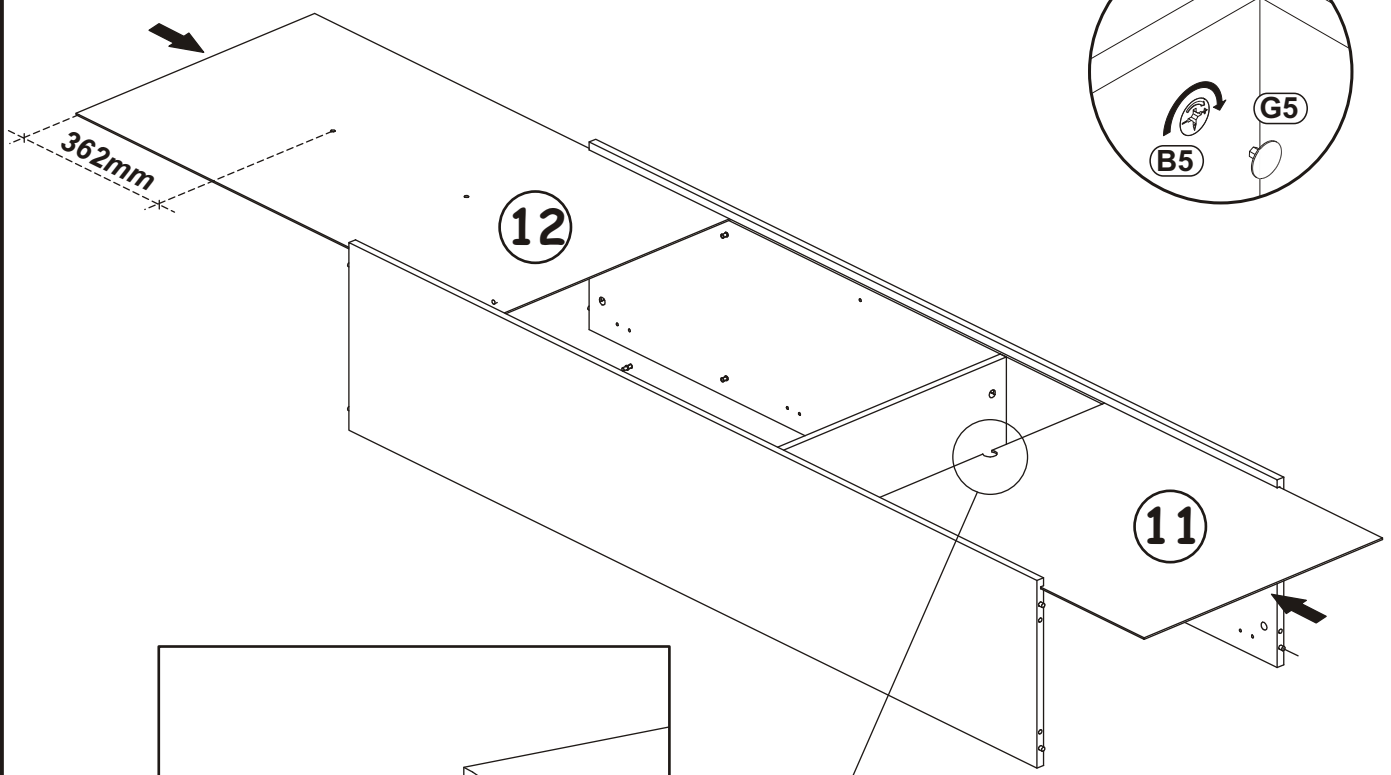
a)




180°



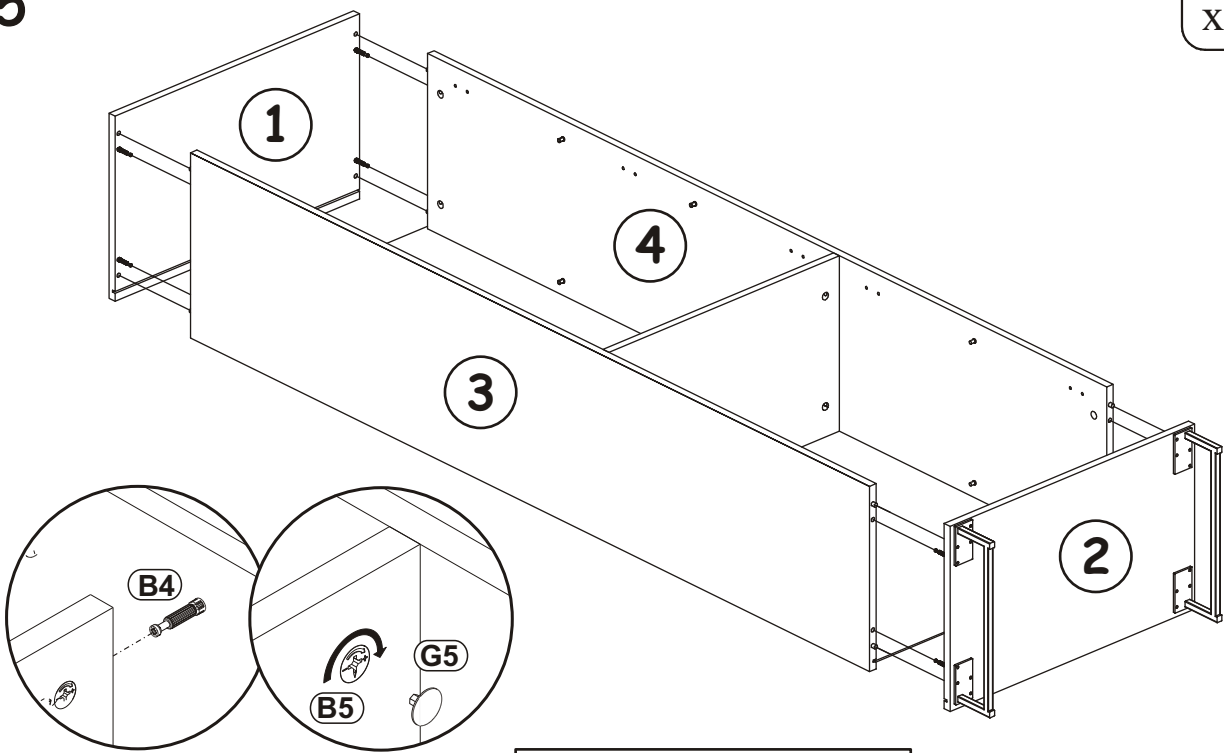
b)



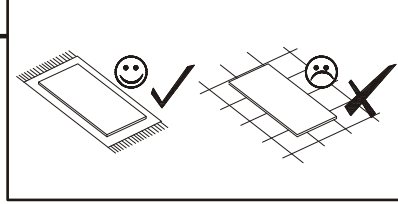
180°

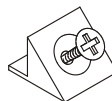
G5	
x8	

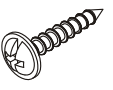
5

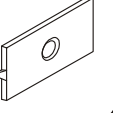


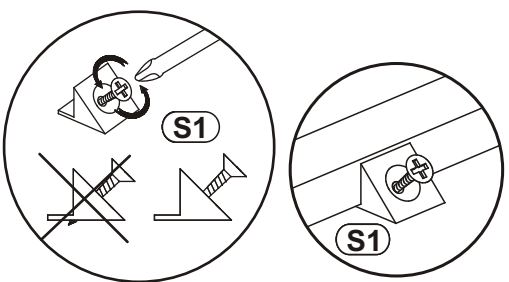
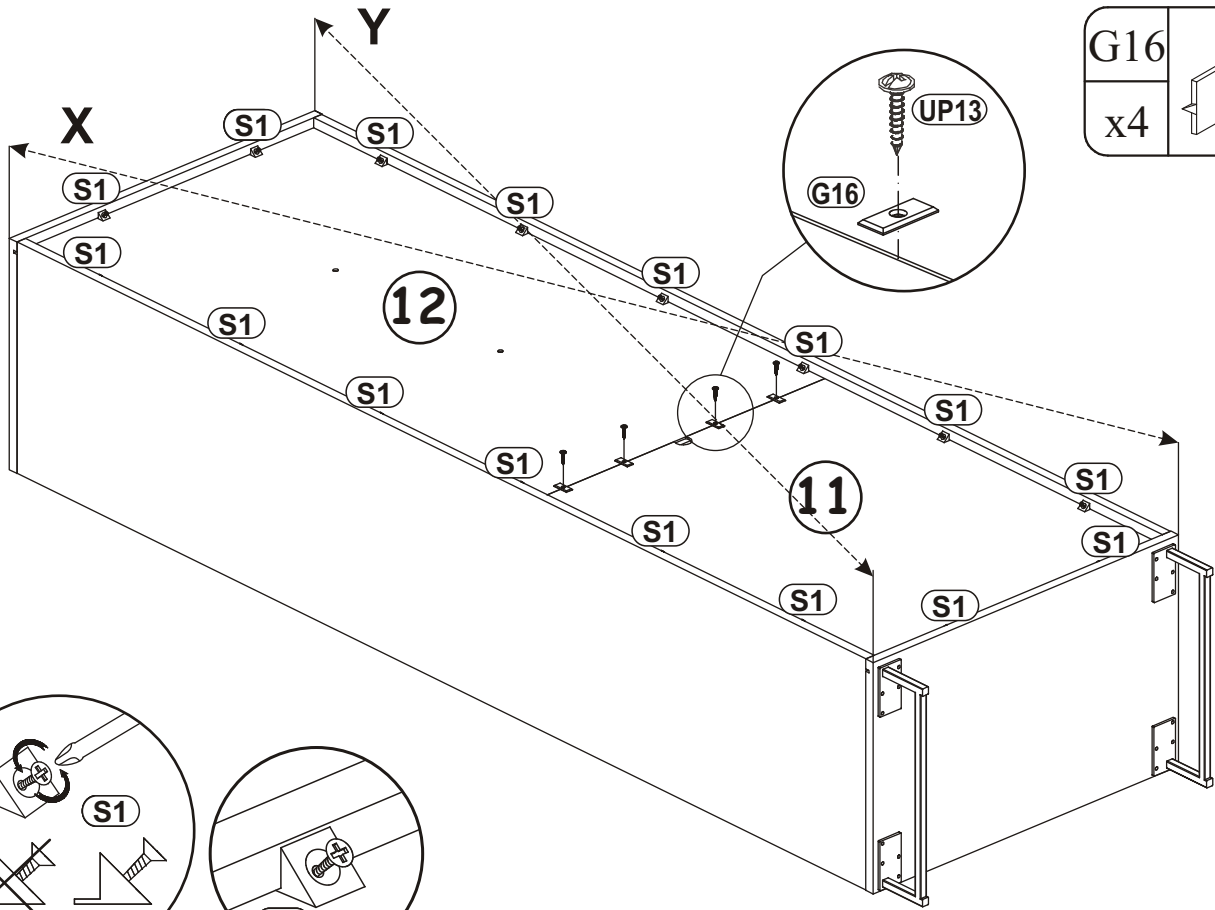
6



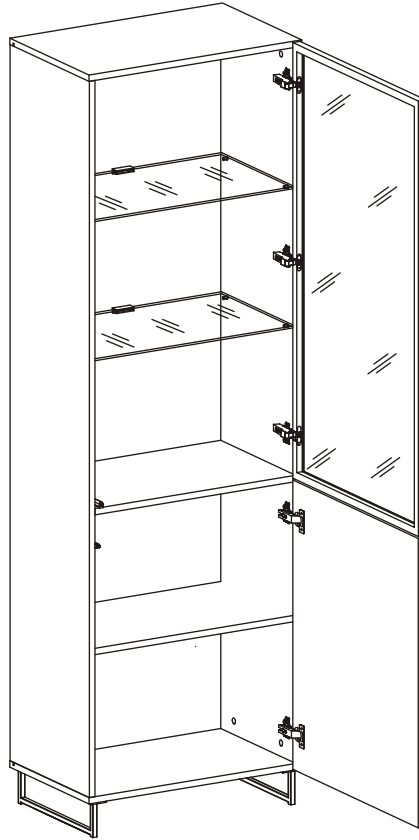
S1	
x16	

UP13	
x4	

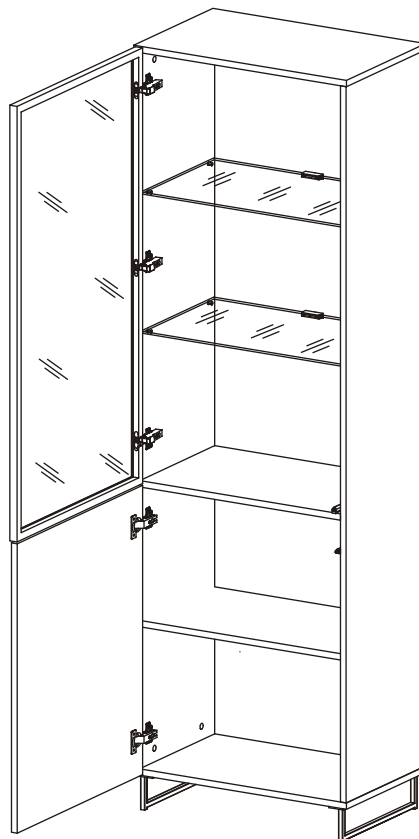
G16	
x4	



7 - 10

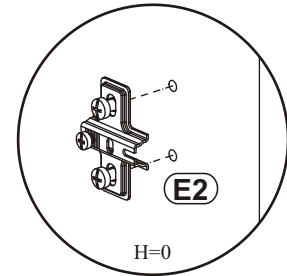
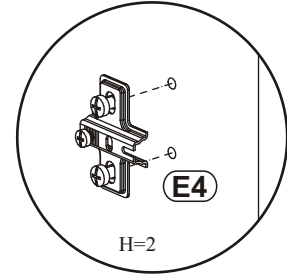
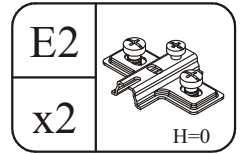
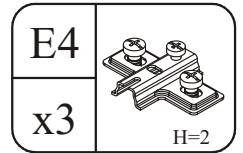
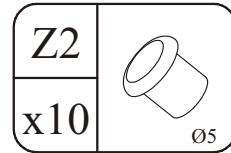
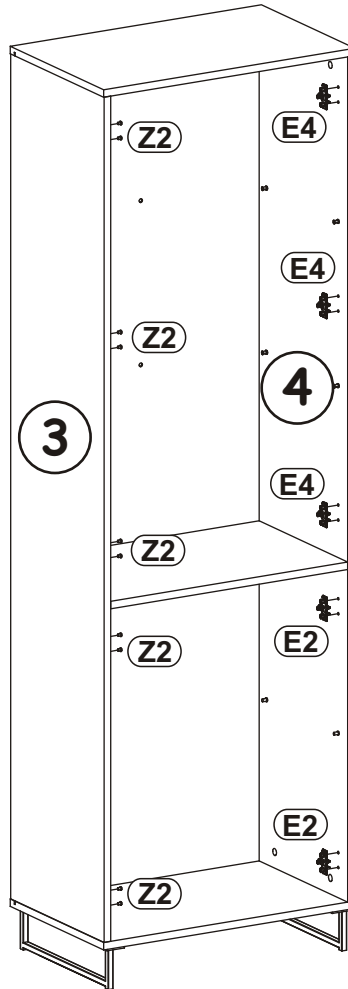
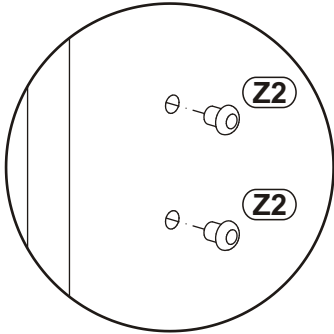
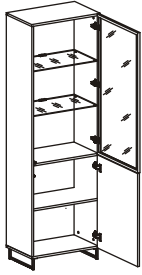


11 - 14

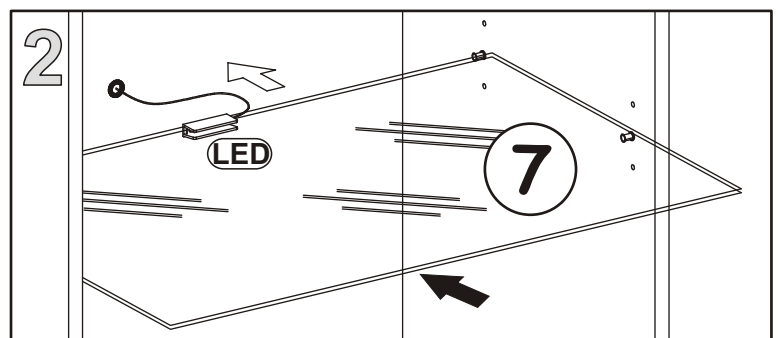
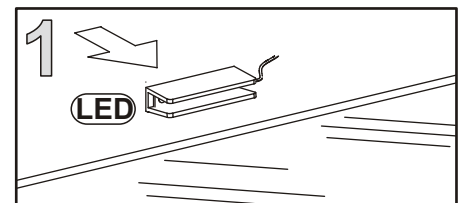
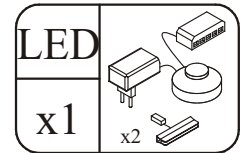
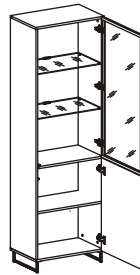
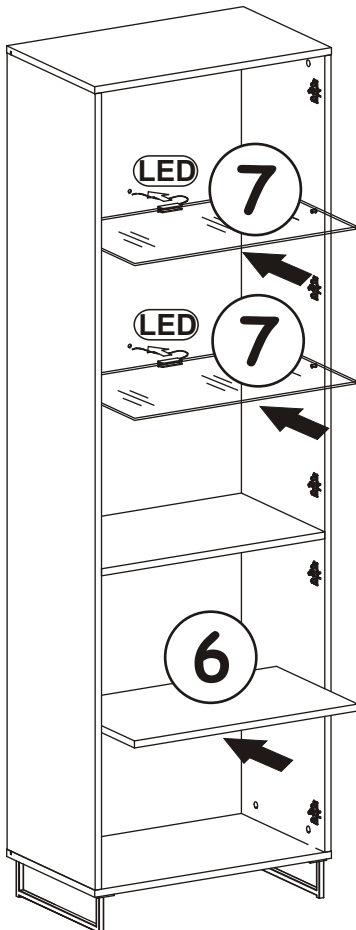


PLANK 29_PNWSW

7

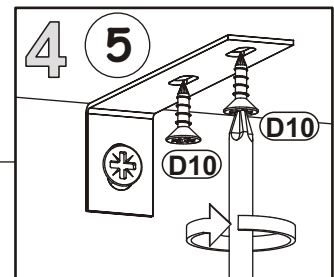
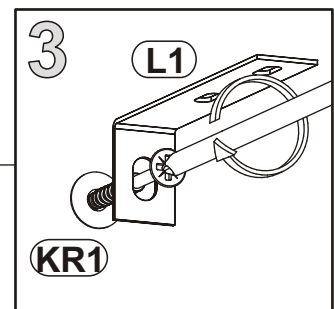
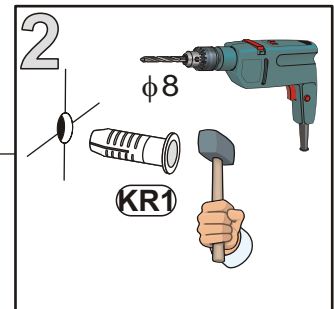
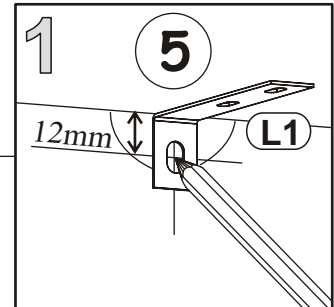
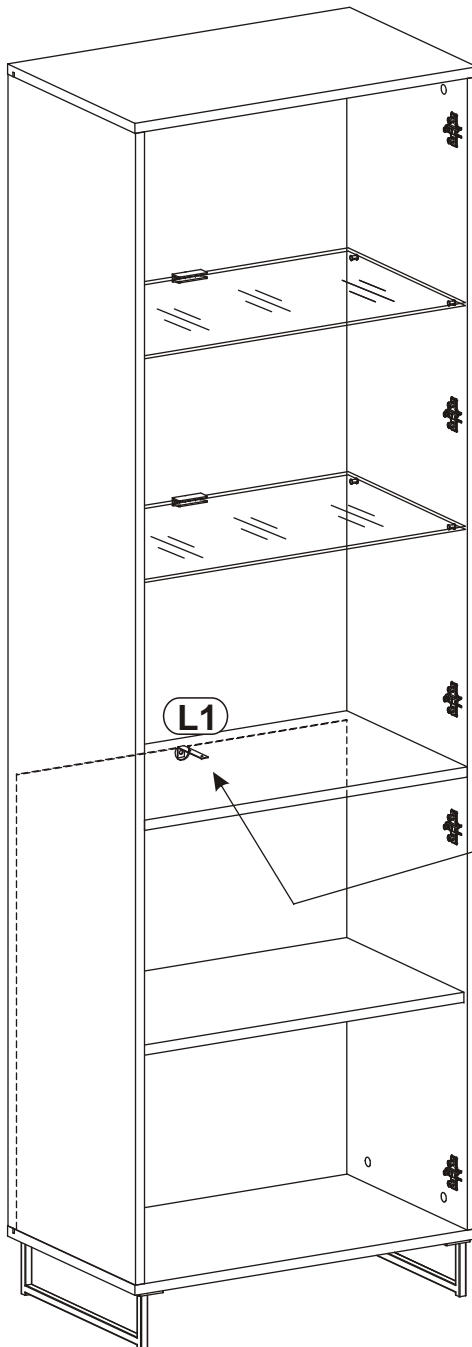
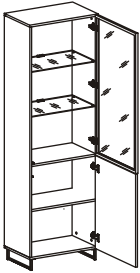
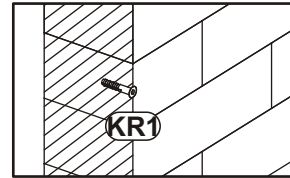
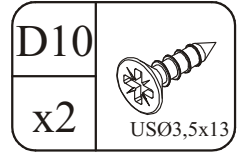
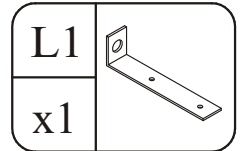
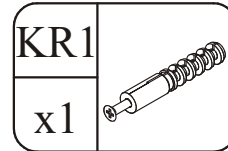
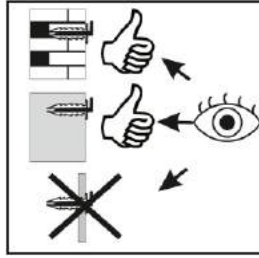
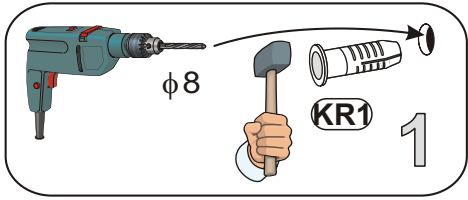


8





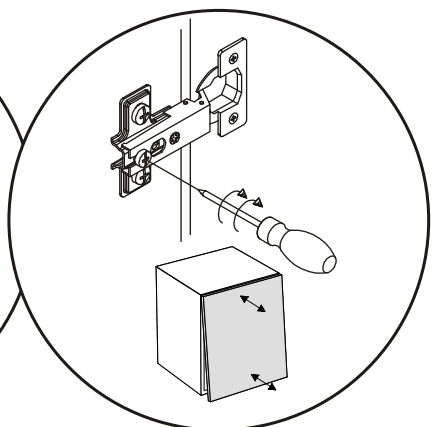
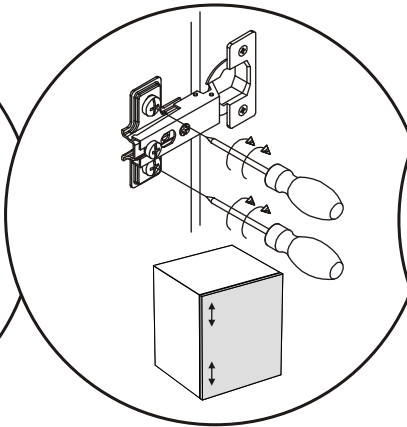
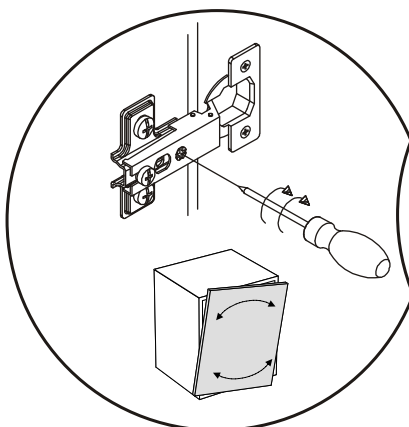
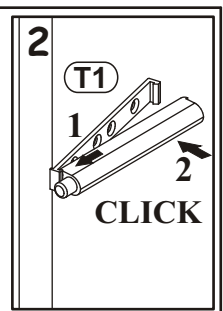
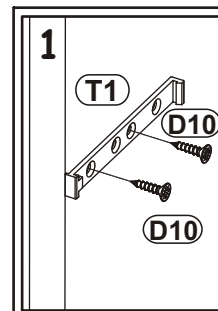
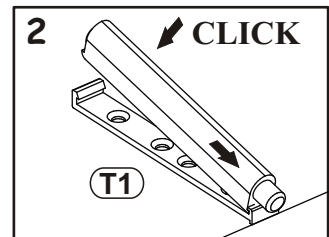
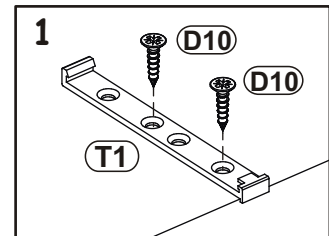
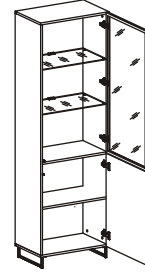
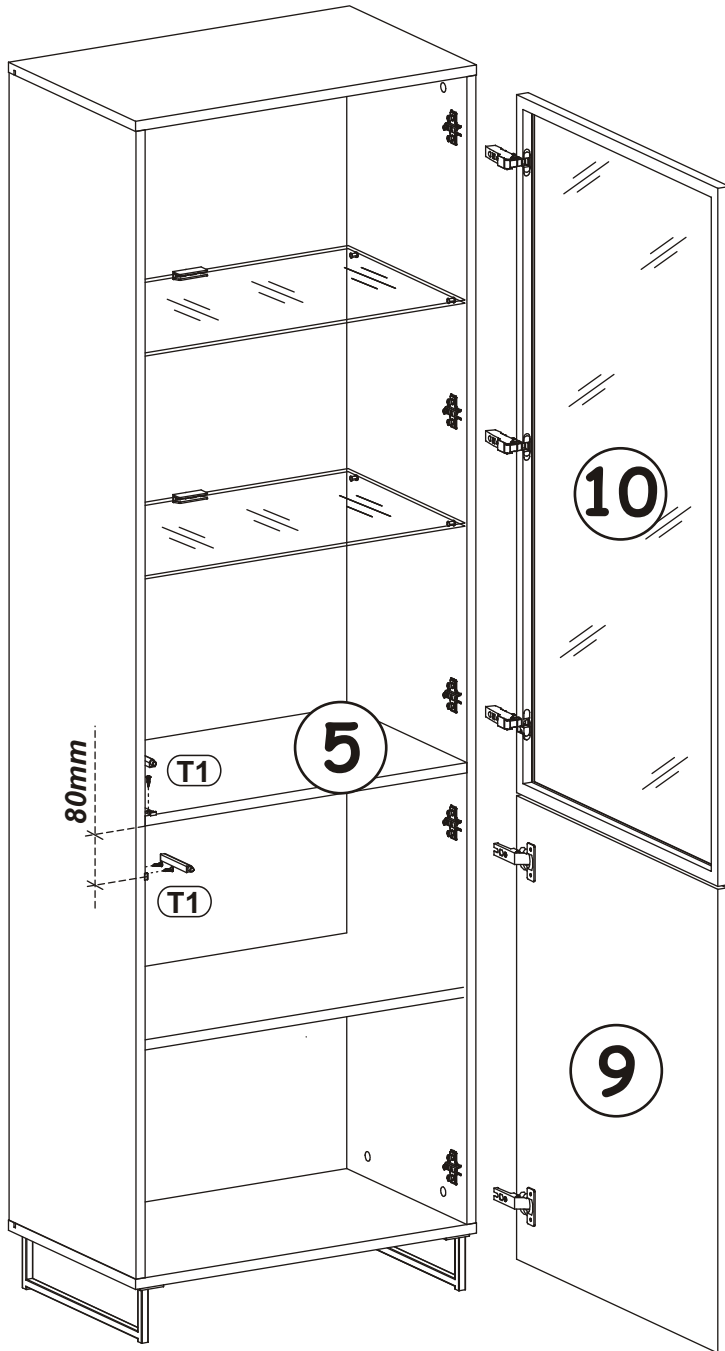
PLANK 29_PNWSW

9



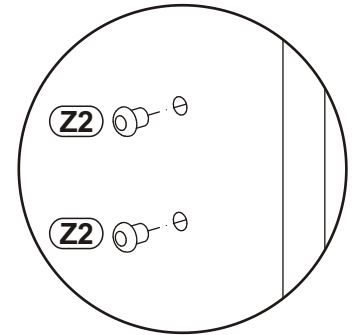
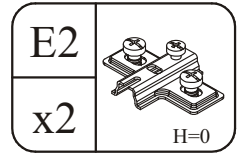
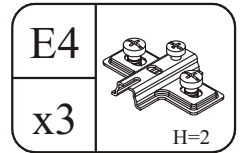
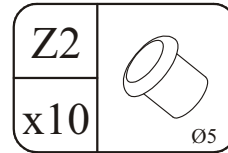
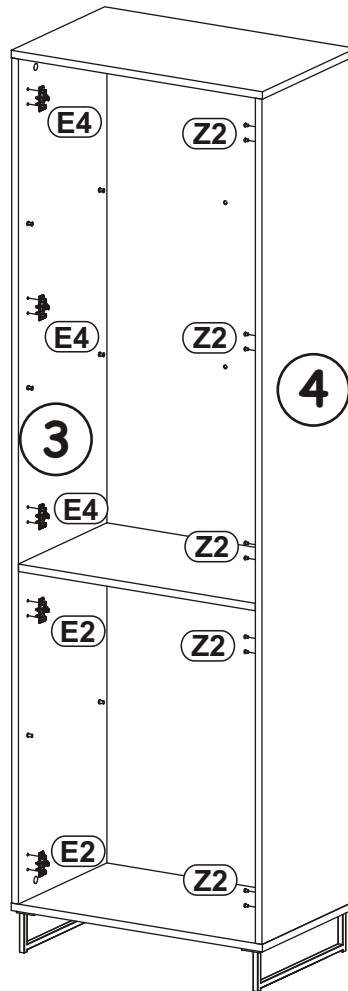
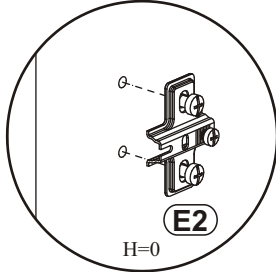
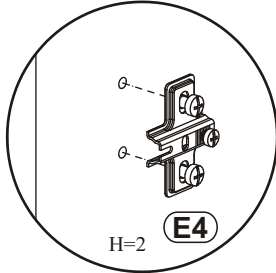
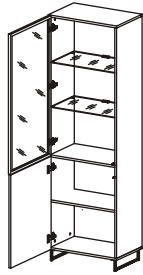
10

T1		D10	
x2		x4	USØ3,5x13

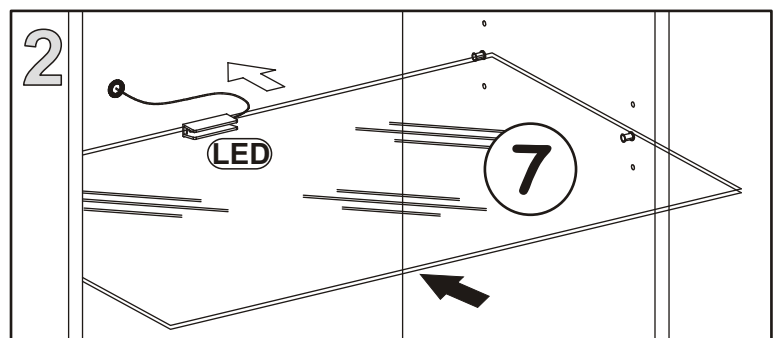
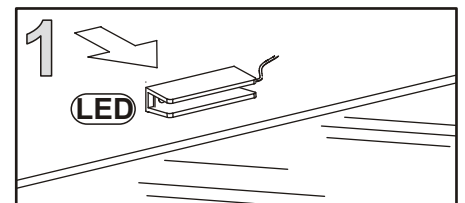
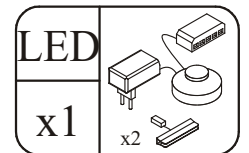
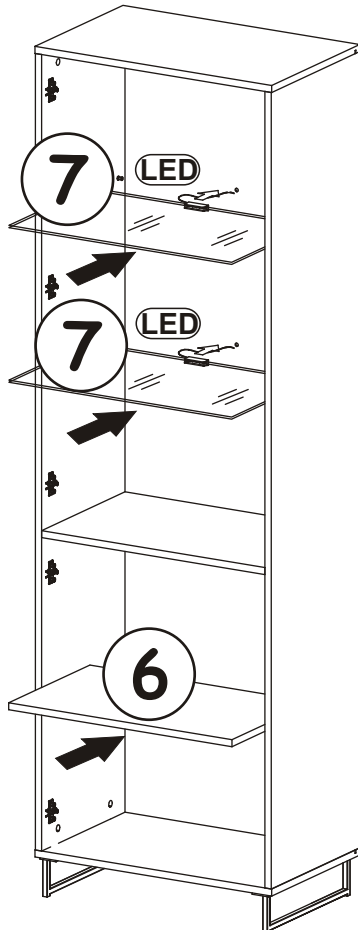


PLANK 29_PNWSW

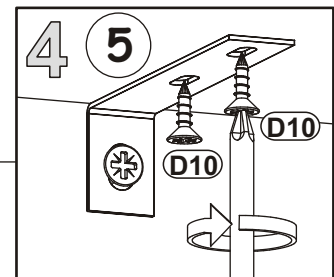
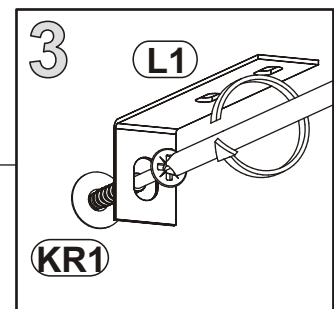
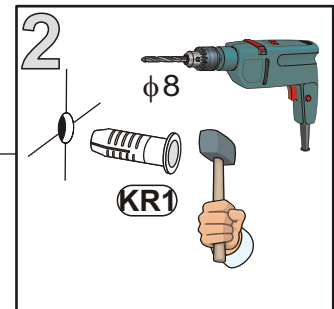
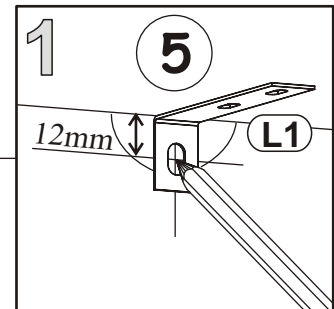
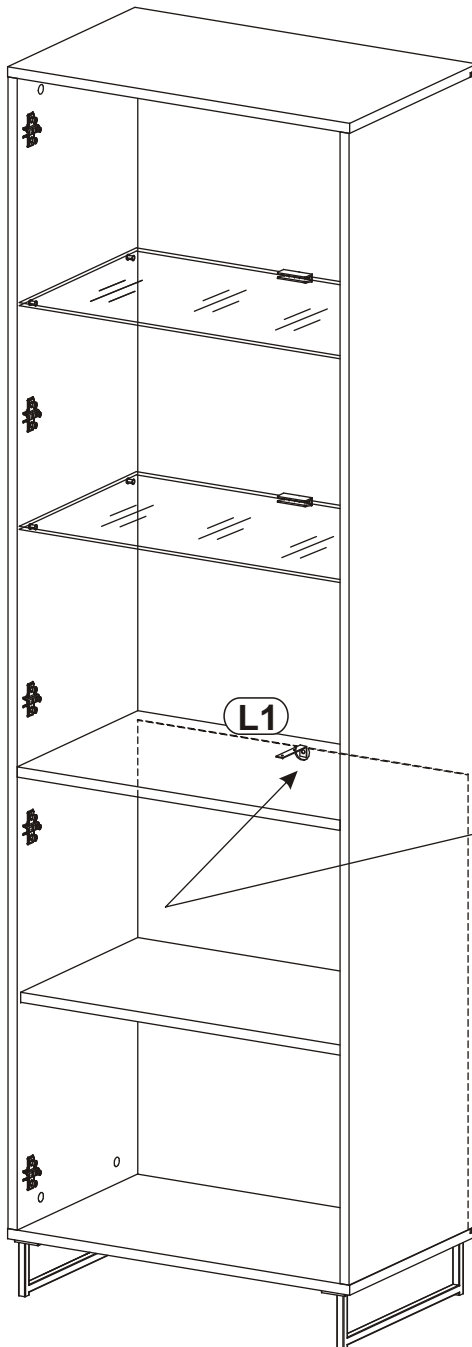
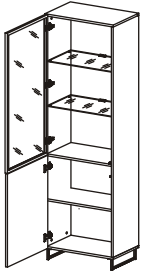
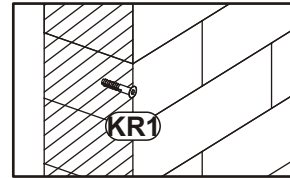
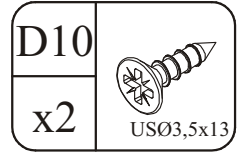
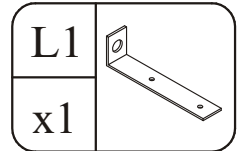
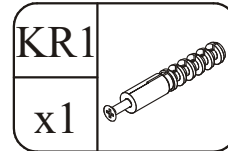
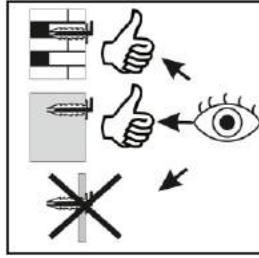
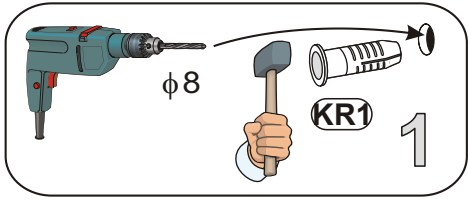
11



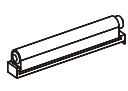

12

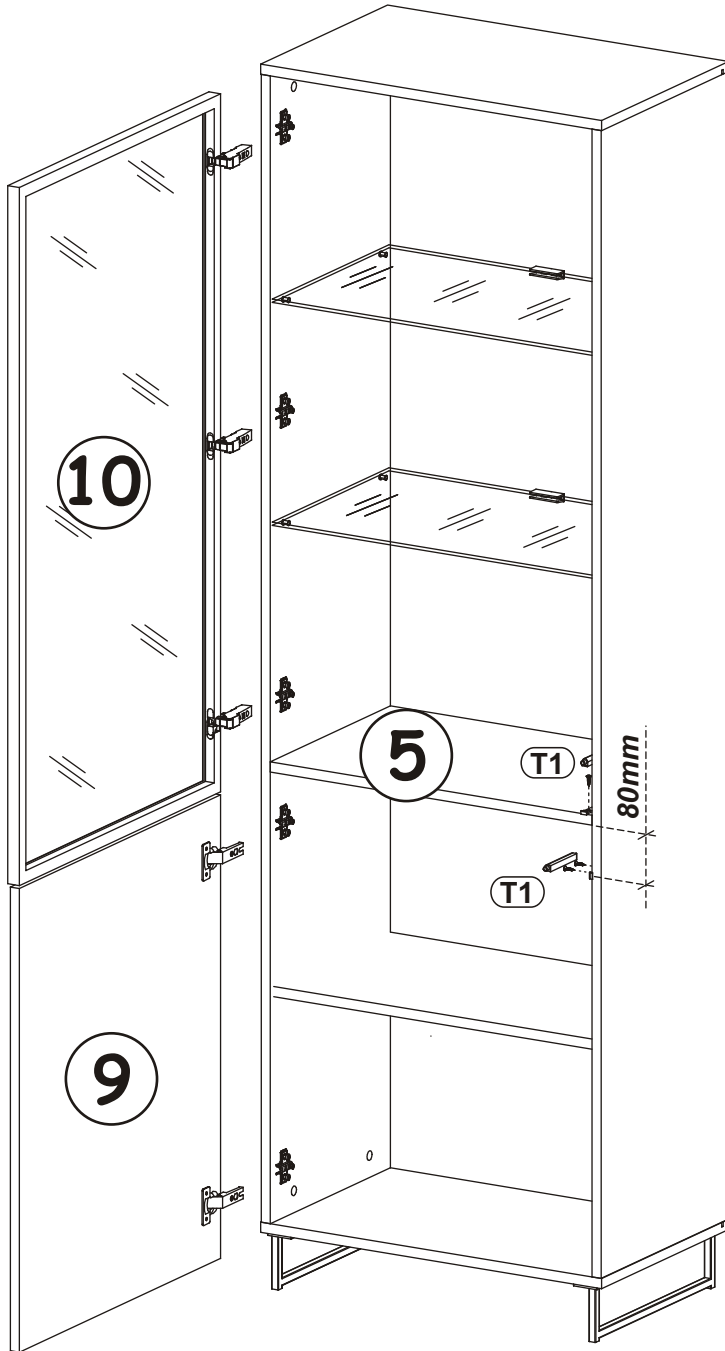


13

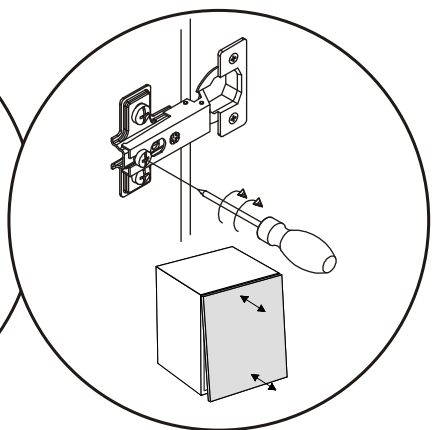
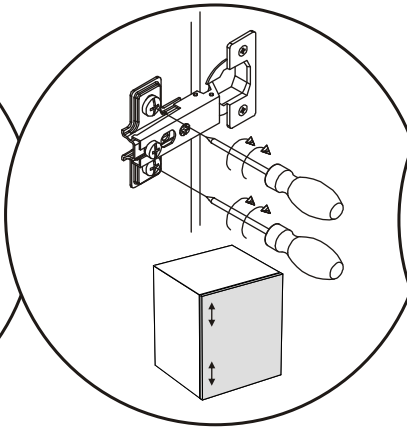
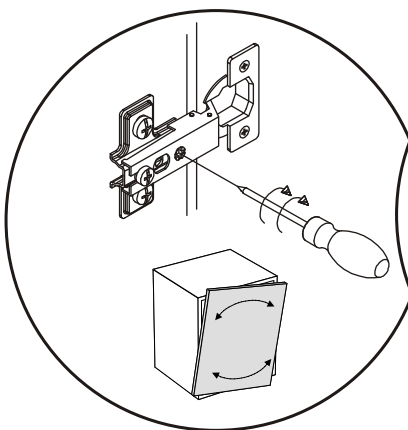
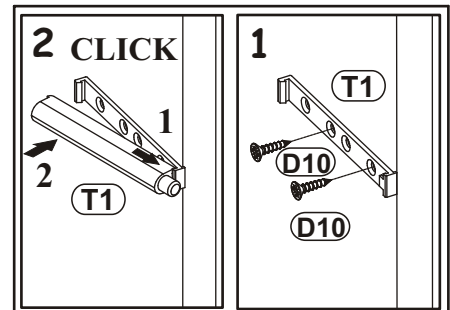
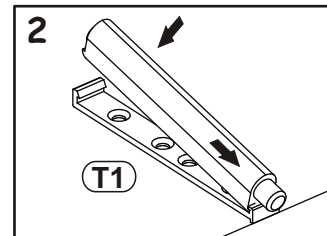
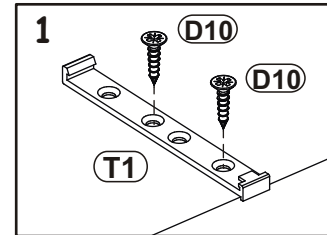


14

T1		D10	
x2		x4	USØ3,5x13



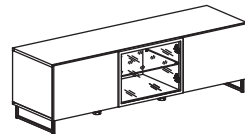
CLICK



USO

29 CW PN RTV

RTV PLANK



COLLI **1/2**

15 kg

500/19

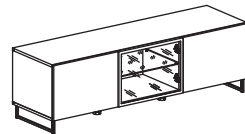
FARBE: CANYON MANOR WOOD

1502x459x450
758x468x130

USO

29 CW PN RTV

RTV PLANK



COLLI **1/2**

15 kg

500/19

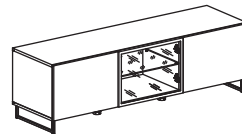
FARBE: CANYON MANOR WOOD

1502x459x450
758x468x130

USO

29 CW PN RTV

RTV PLANK



COLLI **2/2**

19 kg

500/19

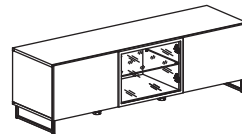
FARBE: CANYON MANOR WOOD

1502x459x450
1616x466x59

USO

29 CW PN RTV

RTV PLANK



COLLI **2/2**

19 kg

500/19

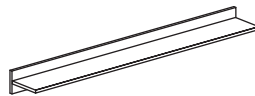
FARBE: CANYON MANOR WOOD

1502x459x450
1616x466x59

OSD

29 CW PN PW

PW PLANK



COLLI **1/1**

6 kg

500/19

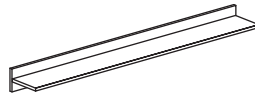
FARBE: CANYON MANOR WOOD

1500x124x200
1664x224x44

OSD

29 CW PN PW

PW PLANK



COLLI **1/1**

6 kg

500/19

FARBE: CANYON MANOR WOOD

1500x124x200
1664x224x44

USO

29 CW PN WSW

WSW PLANK

500/19

FARBE: CANYON MANOR WOOD



1933x602x400
1216x662x90

COLLI **1/2**

27 kg

USO

29 CW PN WSW

WSW PLANK

500/19

FARBE: CANYON MANOR WOOD



1933x602x400
1216x662x90

COLLI **1/2**

27 kg

USO

29 CW PN WSW

WSW PLANK

500/19

FARBE: CANYON MANOR WOOD



1933x602x400
1926x416x60

COLLI **2/2**

21 kg

USO

29 CW PN WSW

WSW PLANK

500/19

FARBE: CANYON MANOR WOOD



1933x602x400
1926x416x60

COLLI **2/2**

21 kg

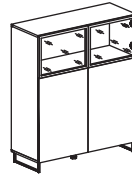
WSN

29 CW PN WSN

WSN PLANK

500/19

FARBE: CANYON MANOR WOOD



COLLI **1/2**

21 kg

1195x1002x400
901x536x118

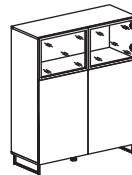
WSN

29 CW PN WSN

WSN PLANK

500/19

FARBE: CANYON MANOR WOOD



COLLI **1/2**

21 kg

1195x1002x400
901x536x118

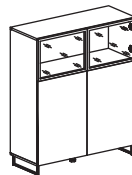
WSN

29 CW PN WSN

WSN PLANK

500/19

FARBE: CANYON MANOR WOOD



COLLI **2/2**

22 kg

1195x1002x400
1186x414x95

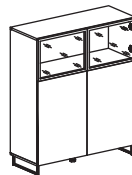
WSN

29 CW PN WSN

WSN PLANK

500/19

FARBE: CANYON MANOR WOOD



COLLI **2/2**

22 kg

1195x1002x400
1186x414x95

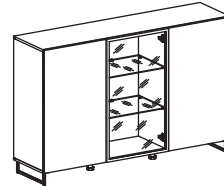
USO

29 CW PN SB

SB PLANK

500/19

FARBE: CANYON MANOR WOOD



COLLI **1/2**

37 kg

1502x971x400
990x538x155

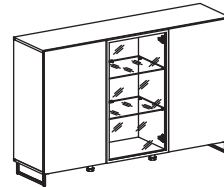
USO

29 CW PN SB

SB PLANK

500/19

FARBE: CANYON MANOR WOOD



COLLI **1/2**

37 kg

1502x971x400
990x538x155

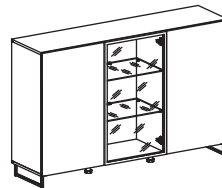
USO

29 CW PN SB

SB PLANK

500/19

FARBE: CANYON MANOR WOOD



COLLI **2/2**

21 kg

1502x971x400
1686x516x60

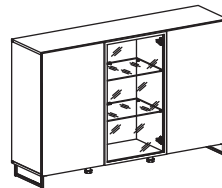
USO

29 CW PN SB

SB PLANK

500/19

FARBE: CANYON MANOR WOOD



COLLI **2/2**

21 kg

1502x971x400
1686x516x60