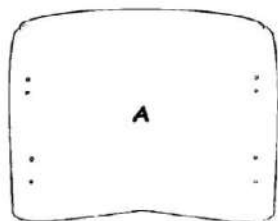
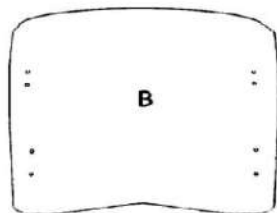


INSTALLATION INSTRUCTIONS

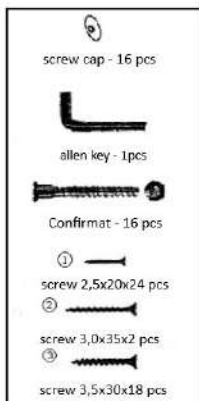
ELEMENTS



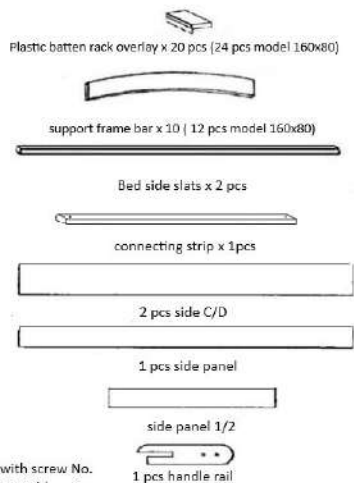
SIDE A - 1pcs



SIDE B - 1pcs

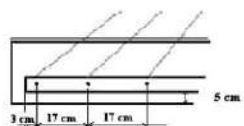


1

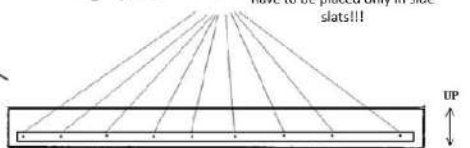


1A

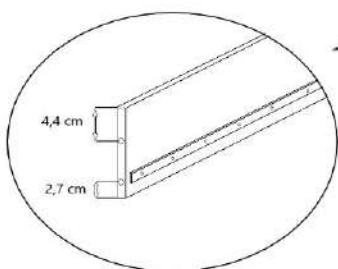
At first
Screw the side slats to the bed with screw No. 3 in 8 points (9 points model 160x80) keeping distances 17 cm (see figure 1A)



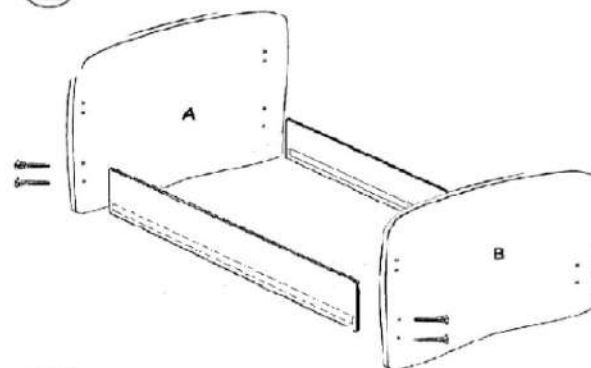
Warning!
Screw the side slats on the correct side (left / right). Be careful not to drill the sides of the bed: screws have to be placed only in side slats!!!



side C/D



2



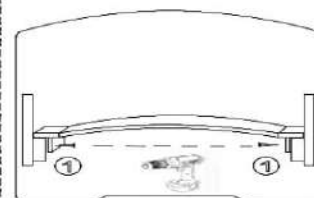
Twist bed sides with the back and front part of bed using Allen key and confirmats



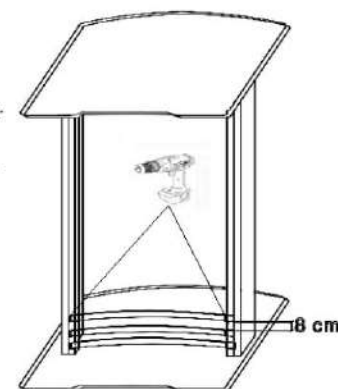
3



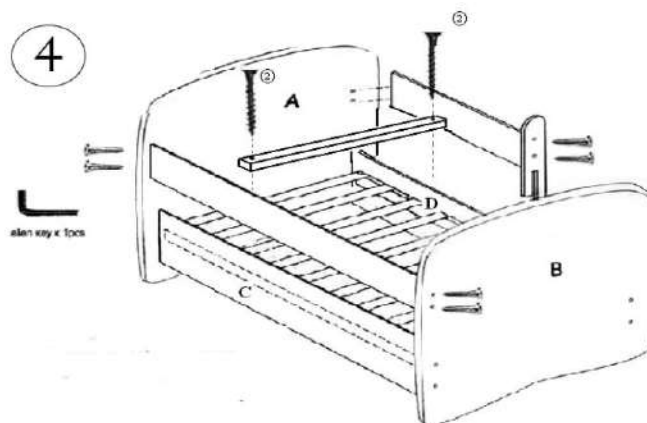
Connect support frame bar and 2 plastic batten rack overlays with screwdriver.



Then screw it into the side slats placed on the both sides of the bed.












4

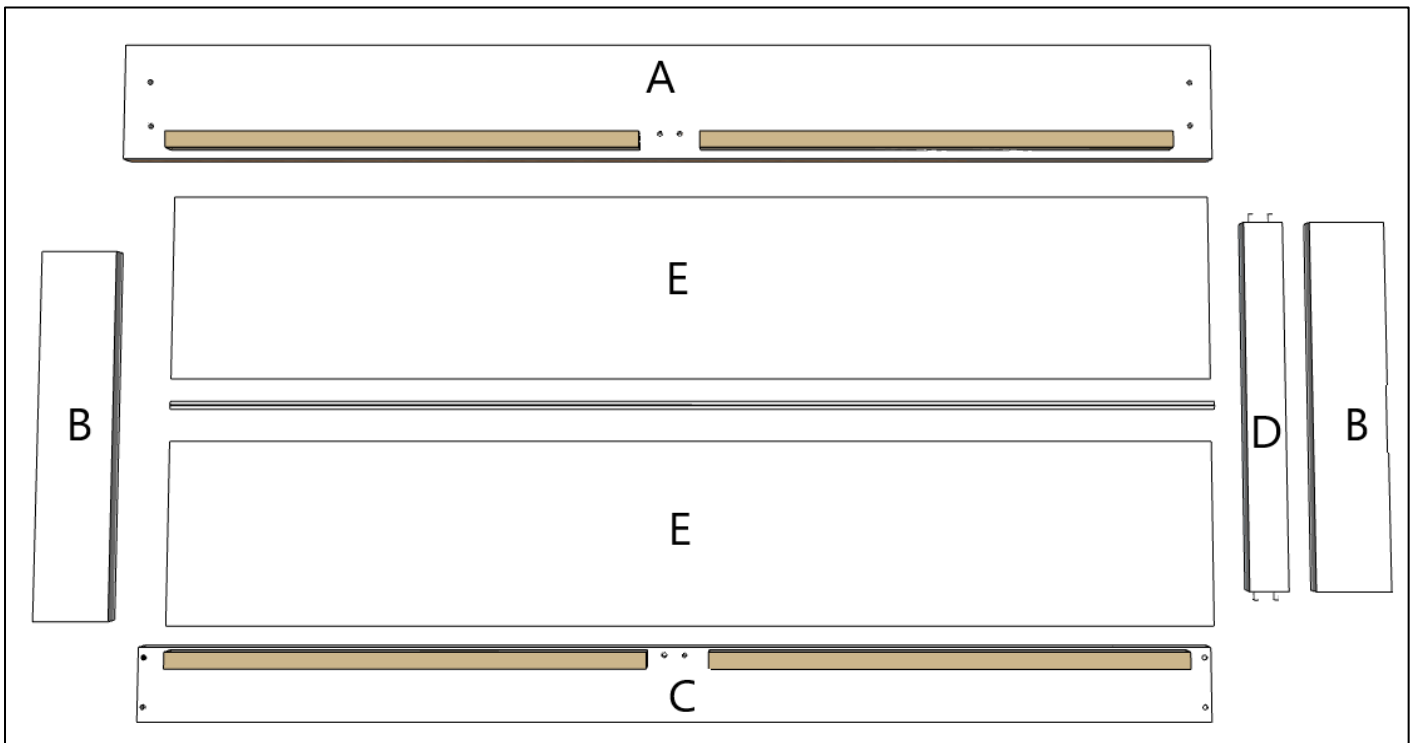
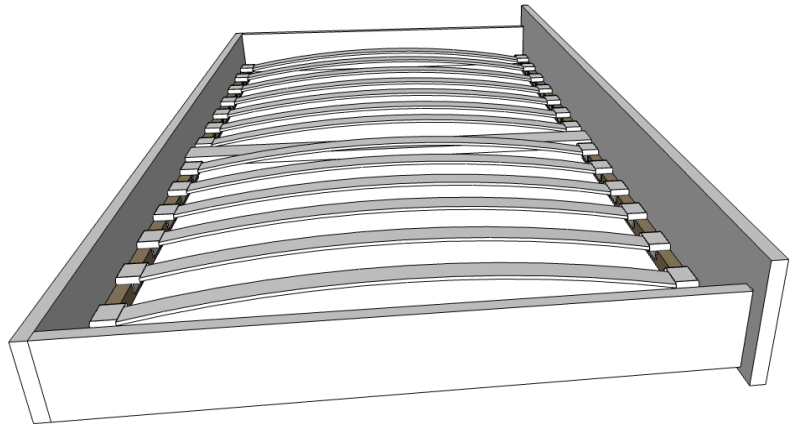


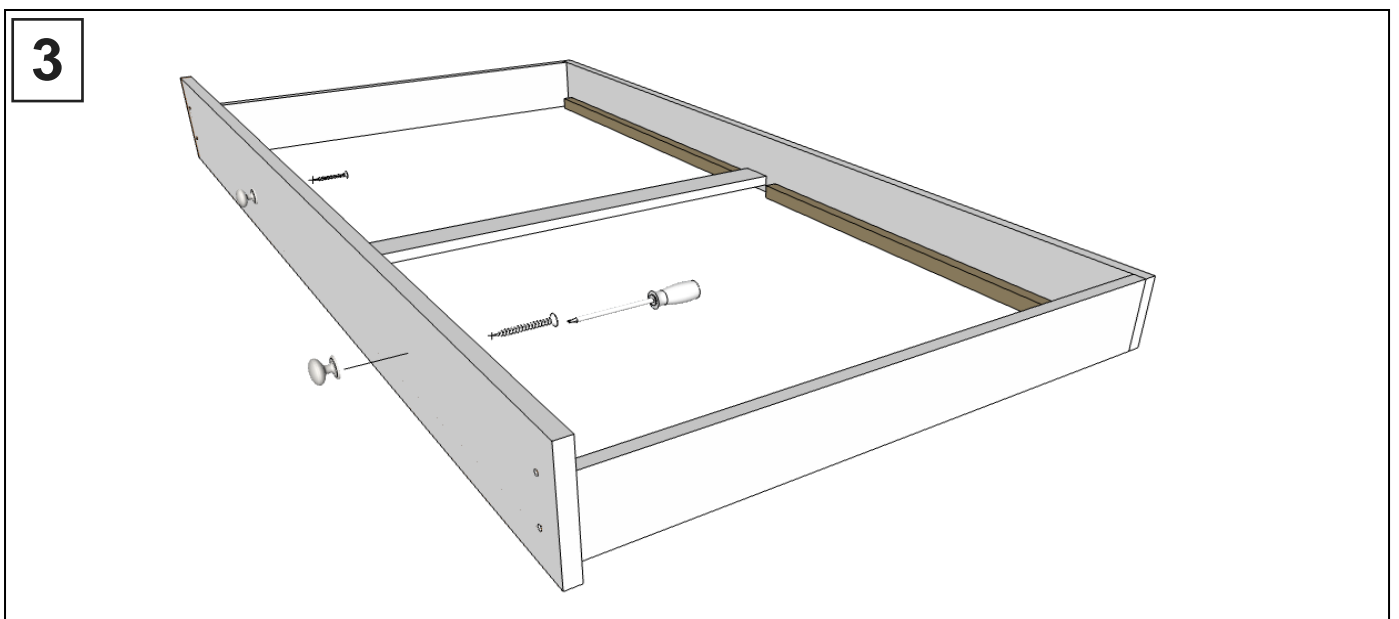
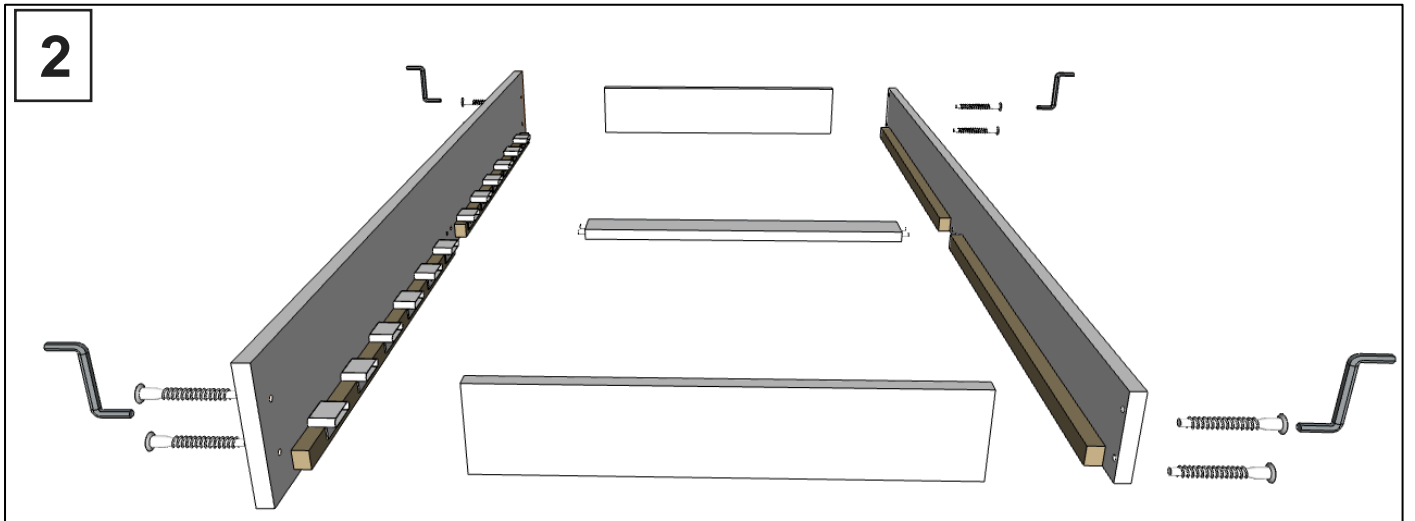
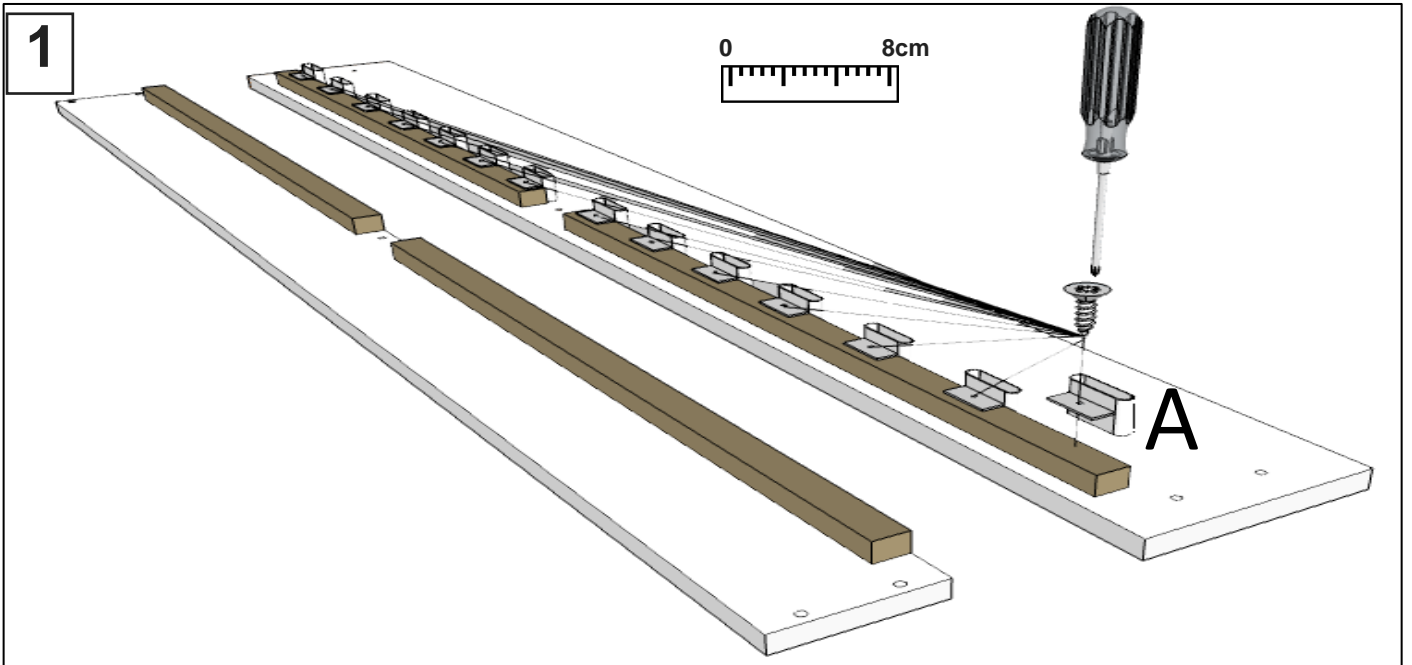
Twist the long side panel with two fronts of bed using Allen key and confirmats.

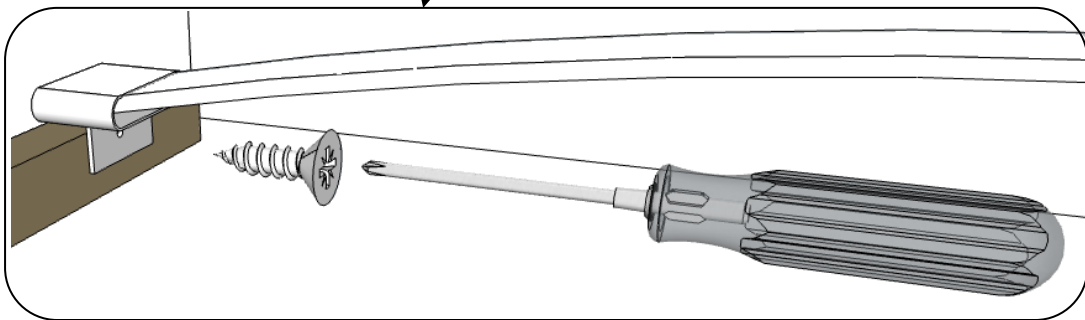
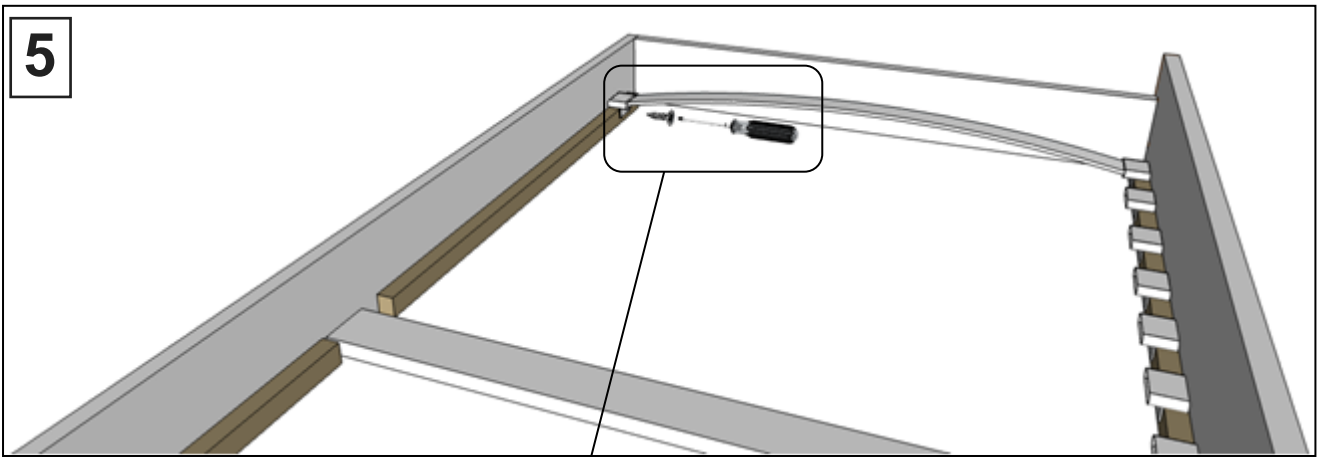
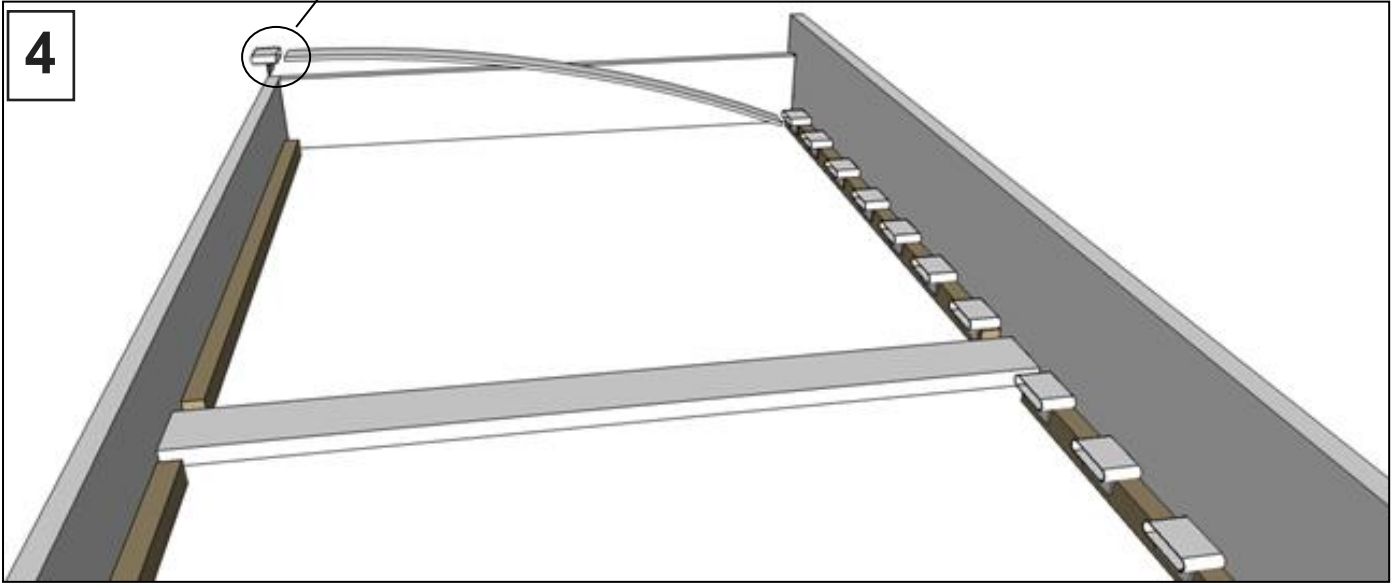
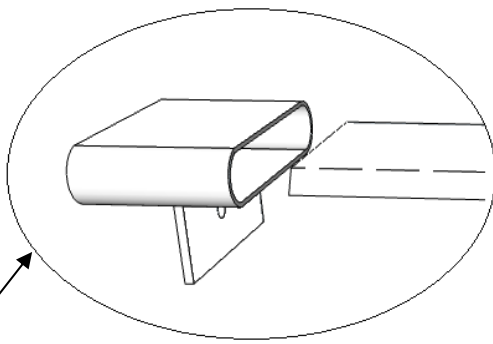
Finally, place a connecting strip in the middle of the bed and screw it into both sides of the bed using screws.

NSZII/12

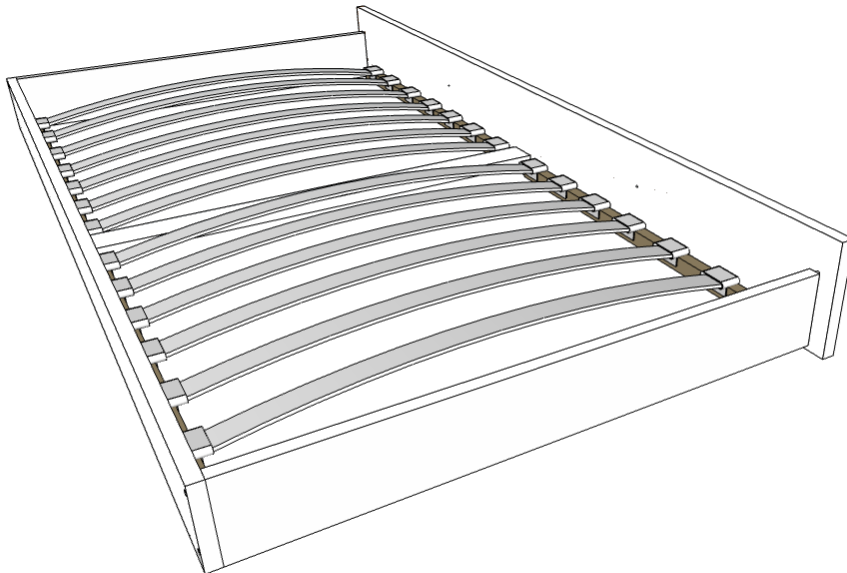
8x30mm		4x
6,4x50mm		8x
		4x
3,5x20mm		28x
4mm		1x
		X10 /x12
3,5x20mm		X20 /24
		8x
		2x







6



7

