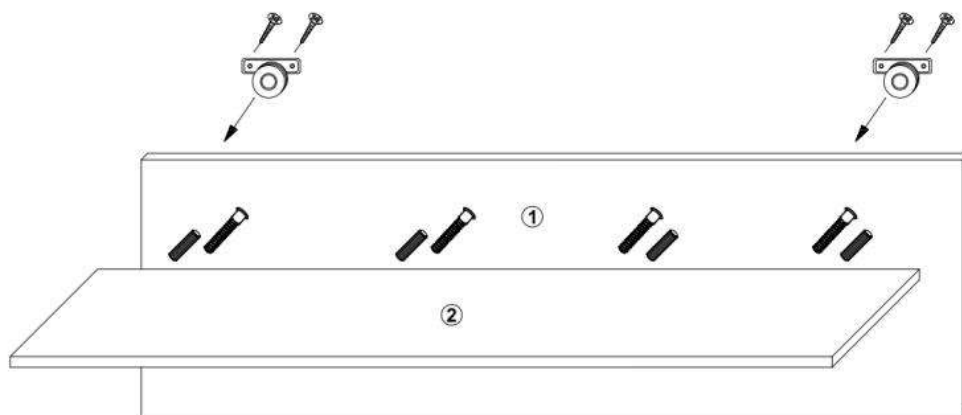
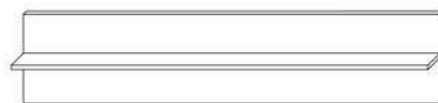
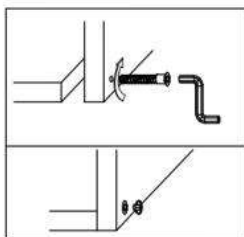
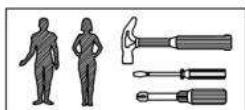








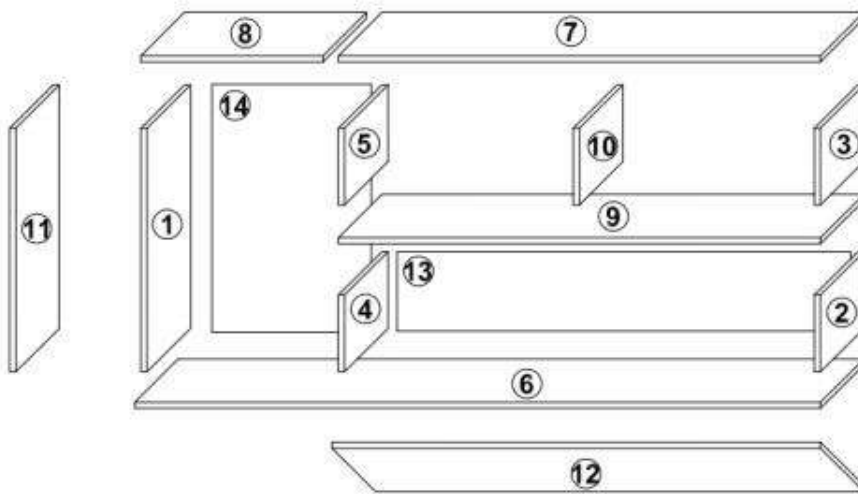
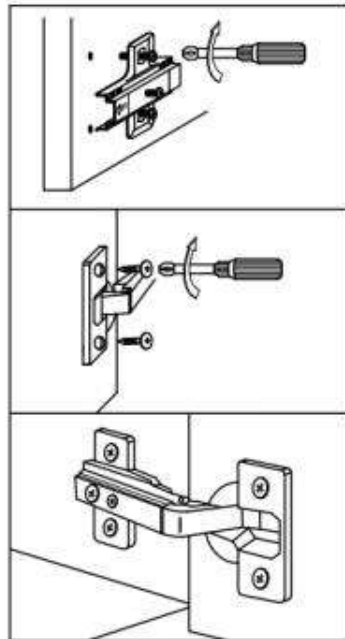
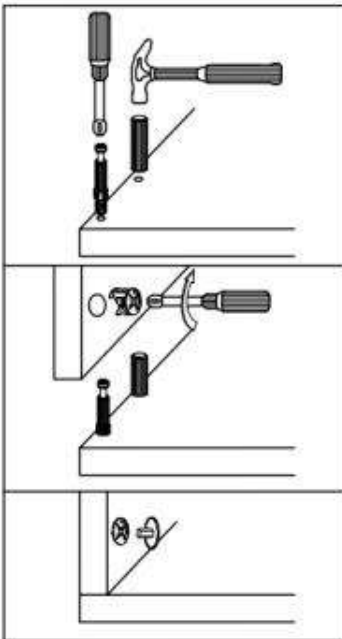
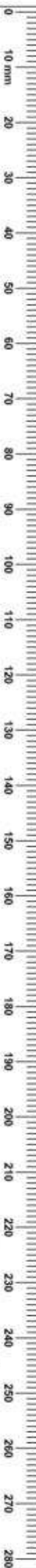
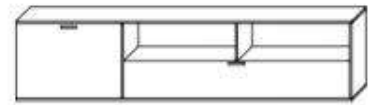
PAT PÓLKA









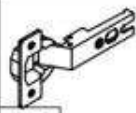









| | | | | | |
|--|---|---|---|---|---|
|  |  |  |  |  |  |
| KF50 | KZ | 8x45 | ZMS | W5x10 | K8x40 |
| 4 | 1 | 4 | 2 | 4 | 2 |

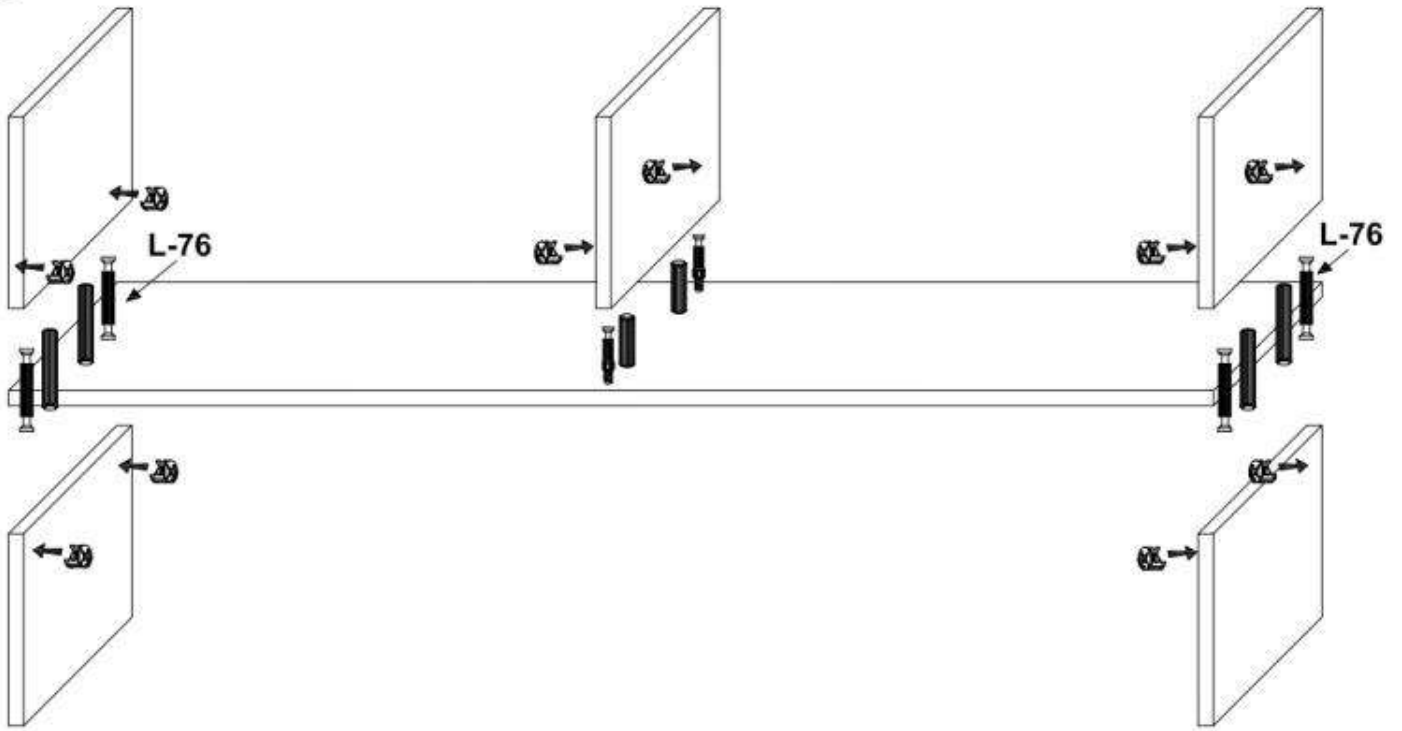


PAT RTV

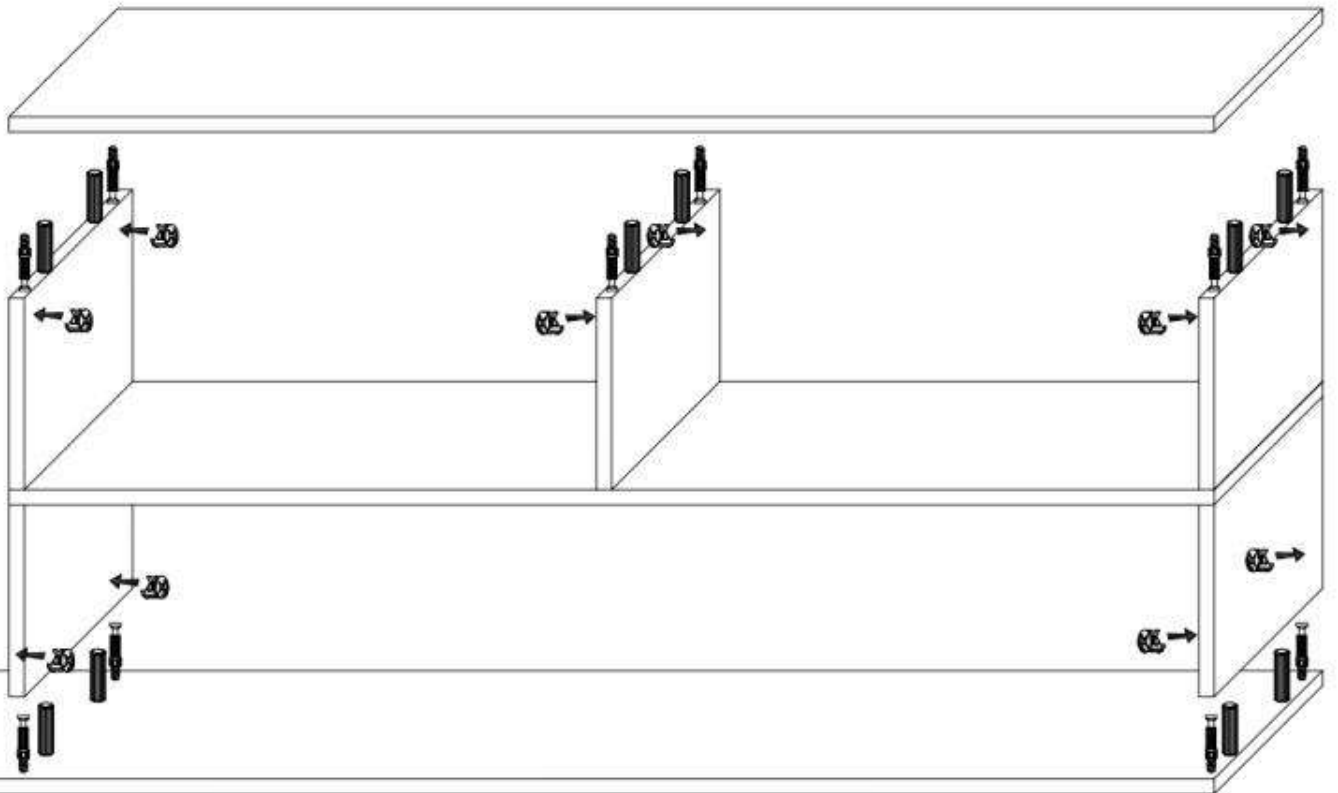


| | | | | | | | | |
|---|--|--|--|---|---|--|---|---|
|  TM |  MM |  ZMB |  ZMC |  L-68 |  L-76 |  8x45 |  8x30 |  ZR |
| 16 | 28 | 14 | 14 | 2 | 4 | 6 | 16 | 4 |
|  PZ |  W4x16 |  SW |  W4x20 |  G2 |  U1 |  W4x16 | | |
| 4 | 8 | 6 | 6 | 25 | 2 | 4 | | |

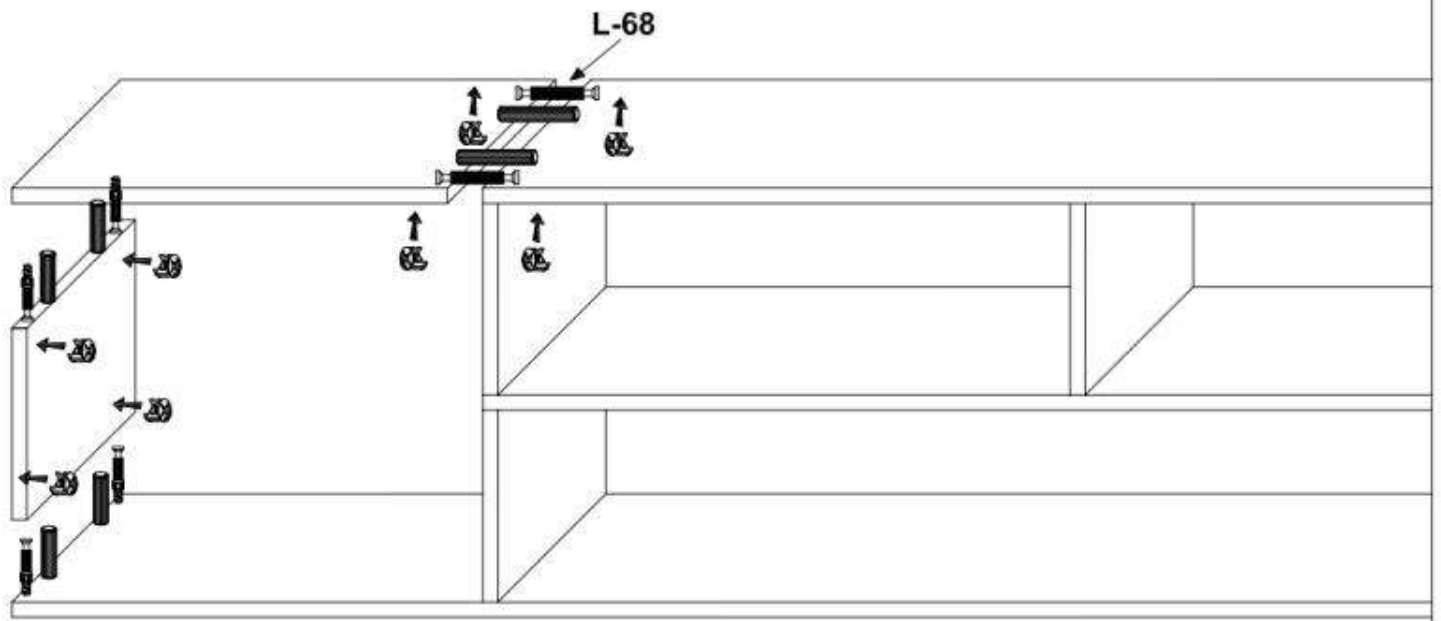
1



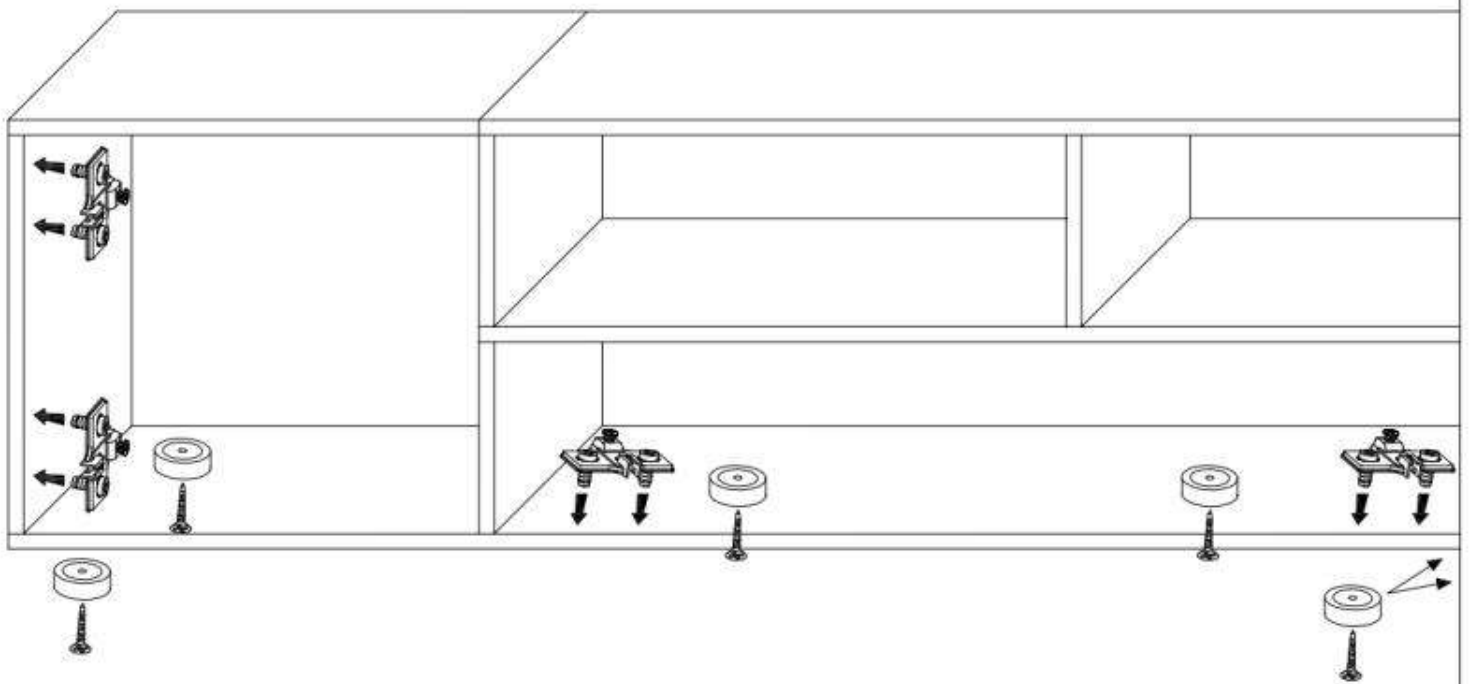
2

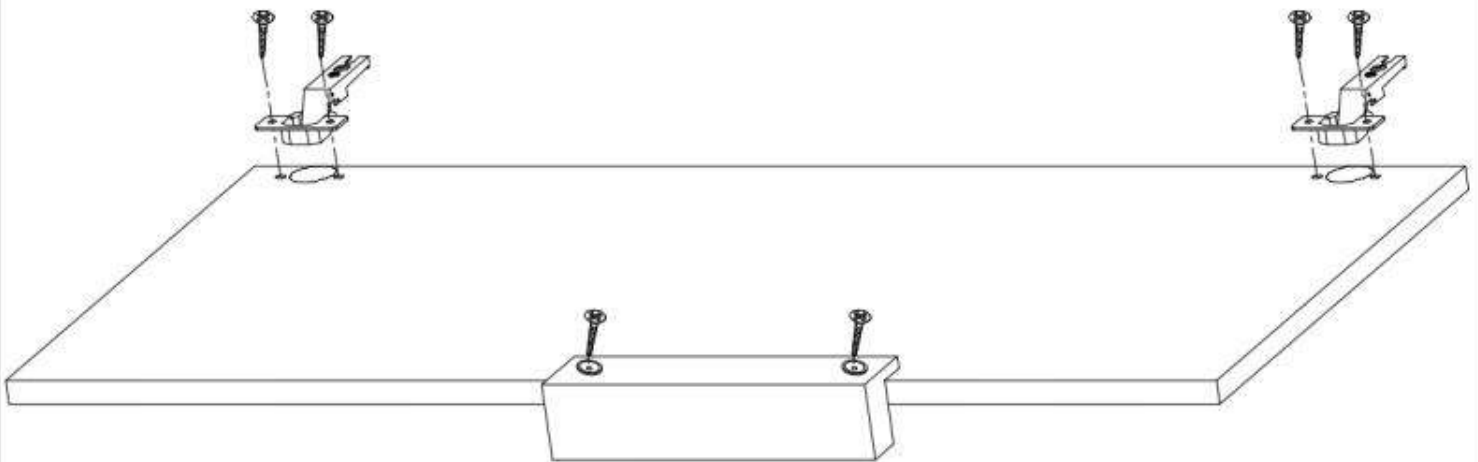
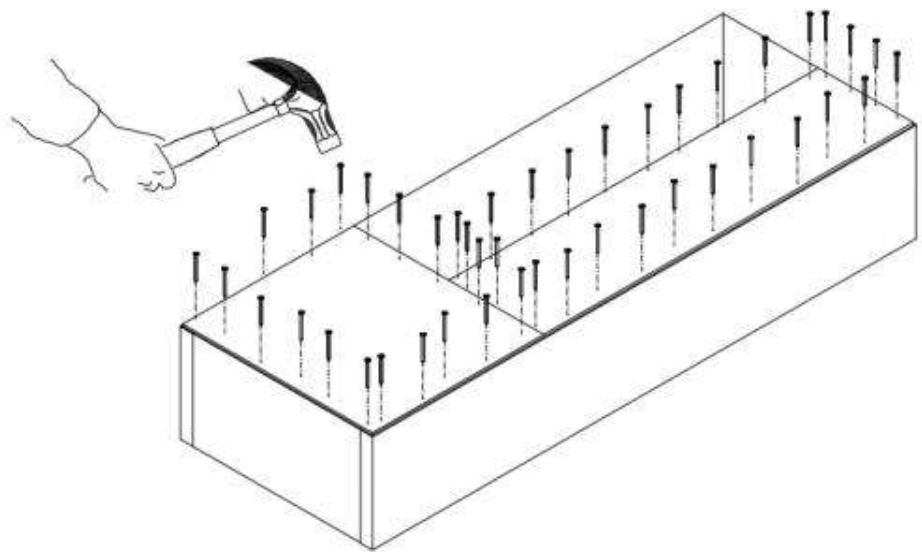


3

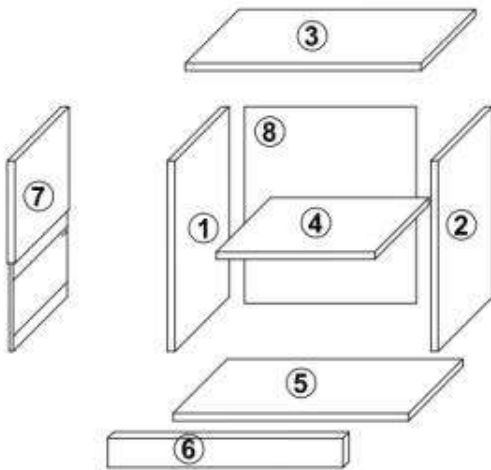
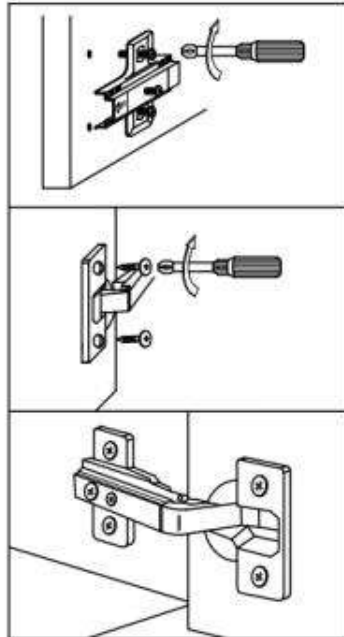
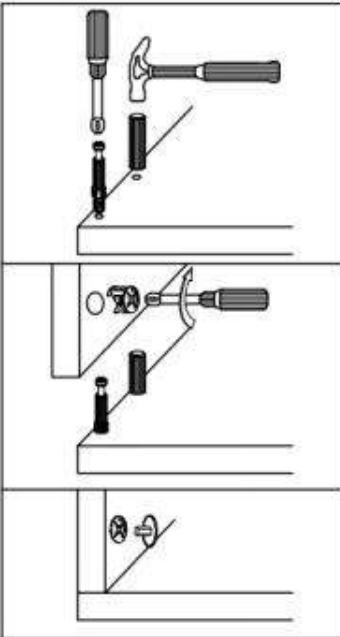
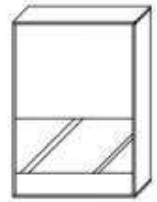
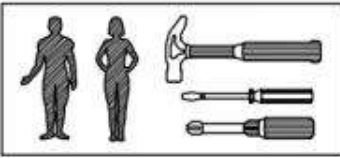


3



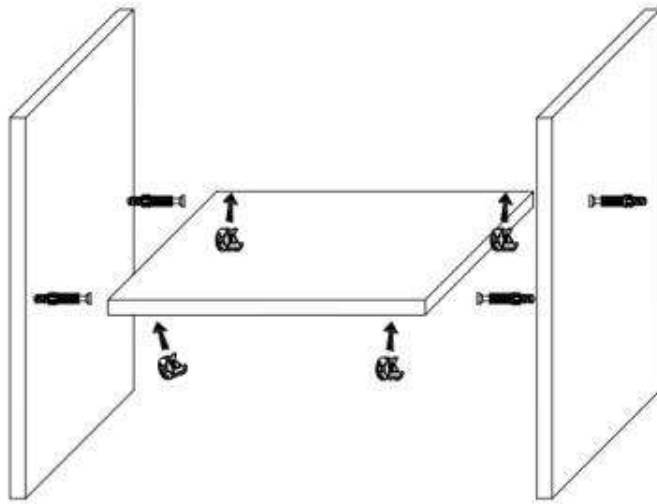


PAT WITRYNA

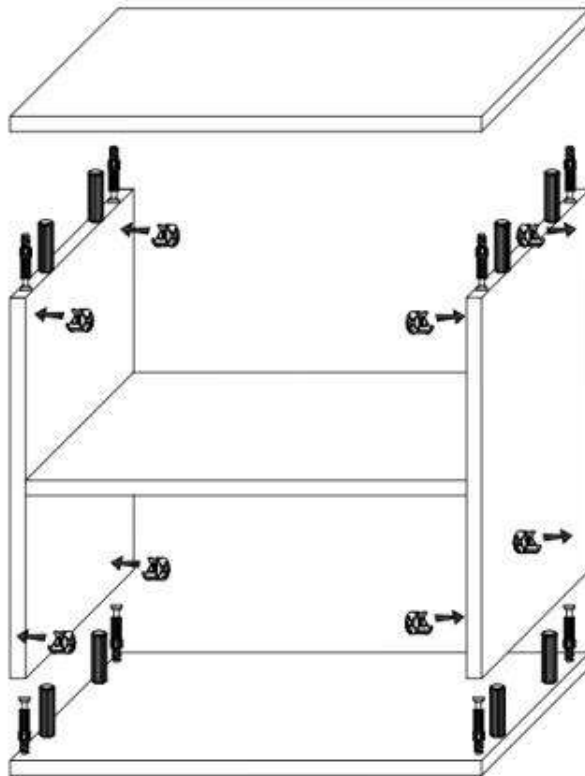


| | | | | | | | | |
|----|-------|--------|------|------|----|-------|-----|-------|
| | | | | | | | | |
| TM | MM | ZM | 8x30 | ZR | PZ | W4x16 | ODB | W3x16 |
| 14 | 14 | 14 | 10 | 2 | 2 | 4 | 1 | 2 |
| | | | | | | | | |
| ZA | W4x30 | K10x50 | STB | KLEJ | | | | |
| 2 | 4 | 4 | 6 | 1 | | | | |

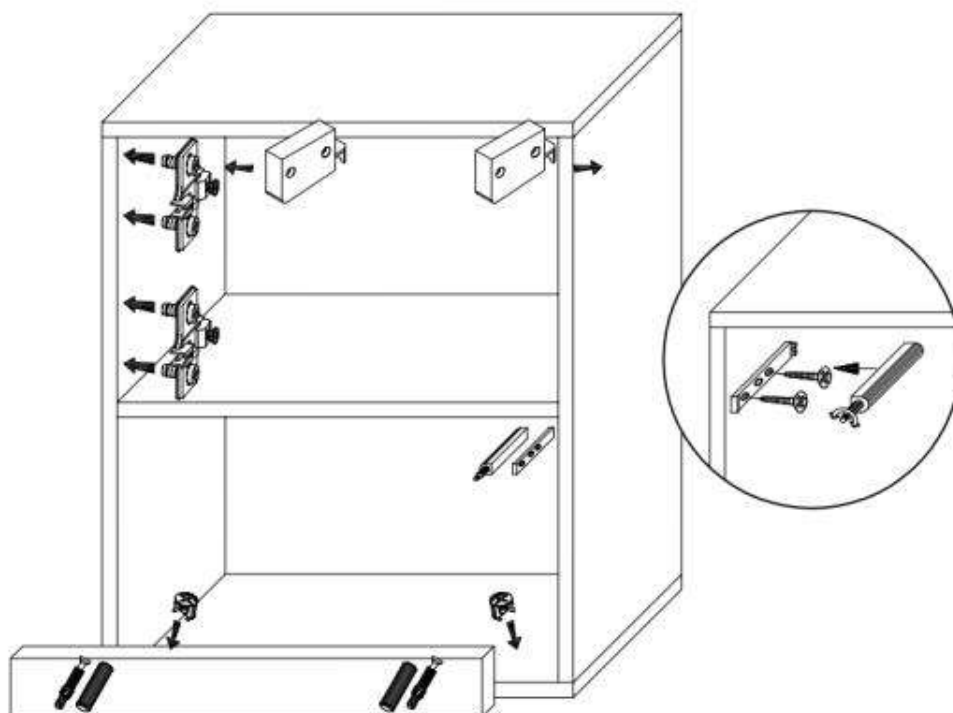
1



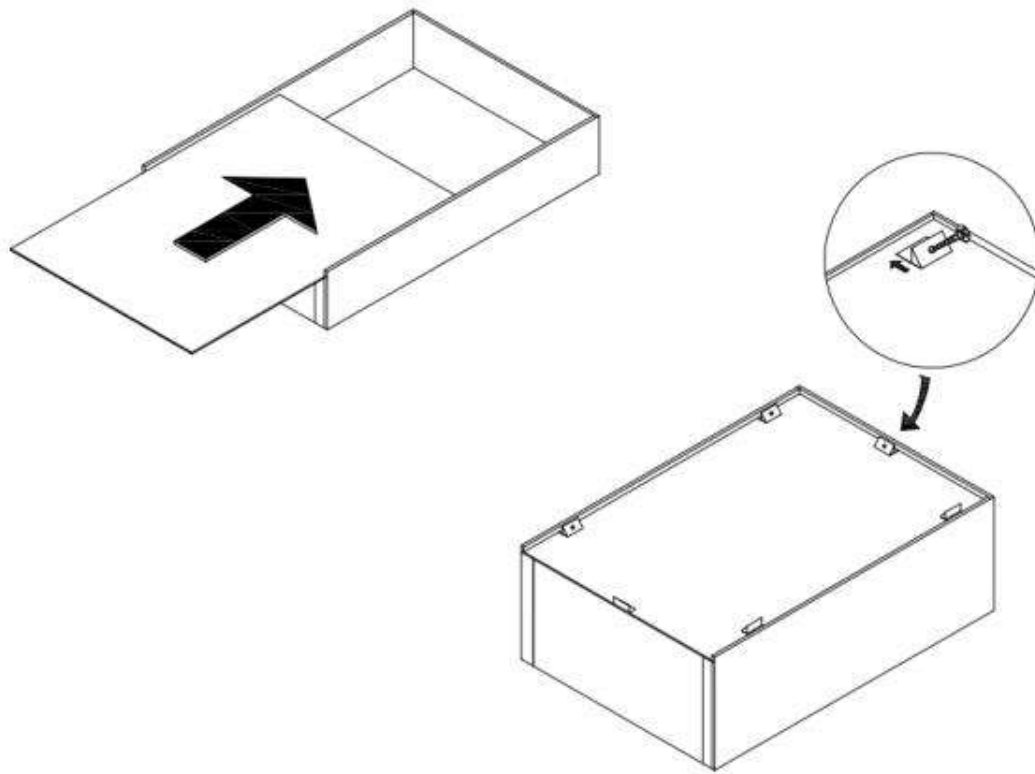
2



3



4



5

