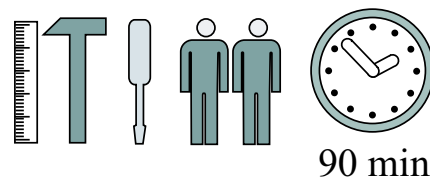
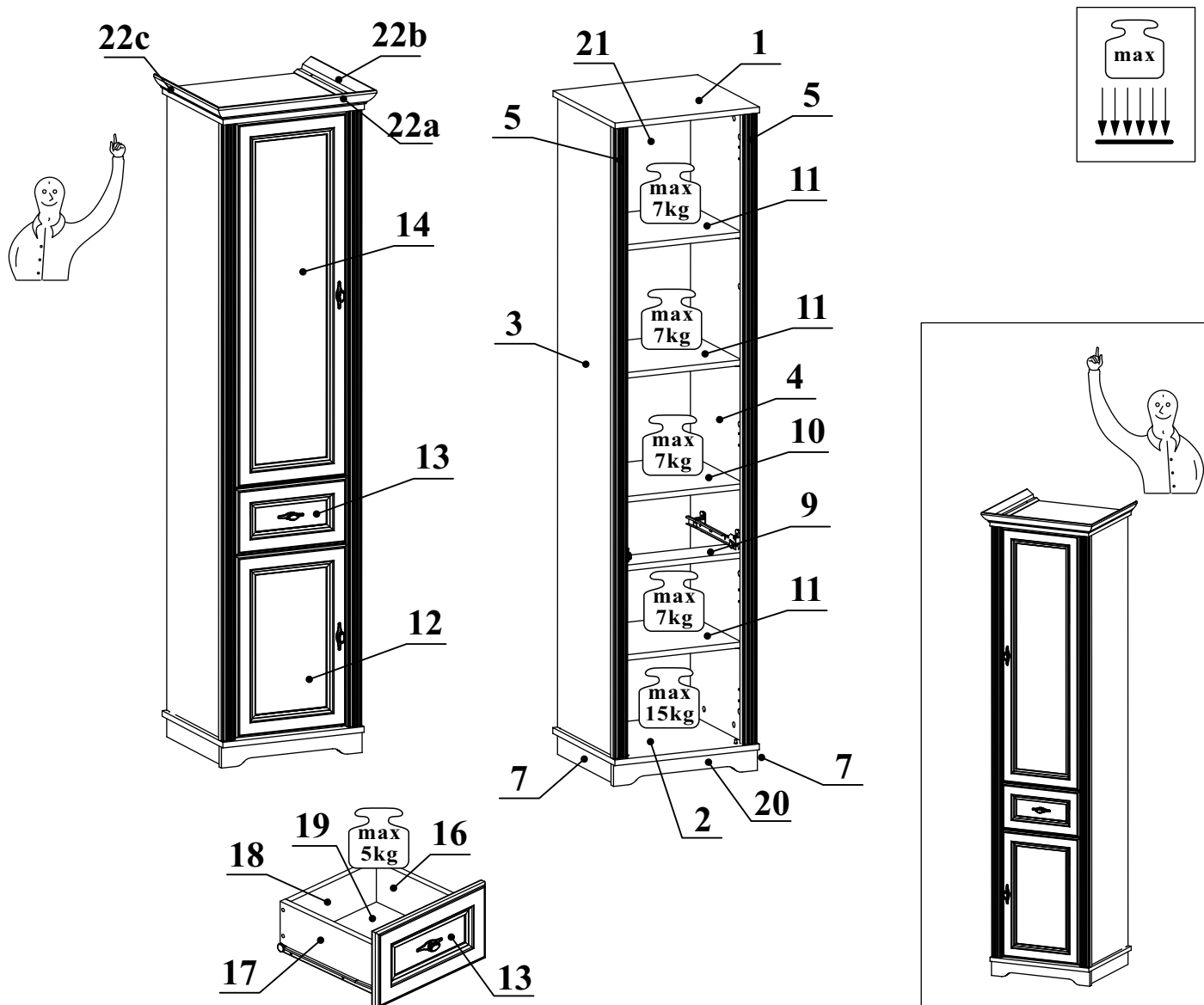


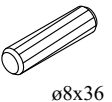
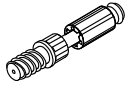
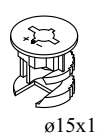

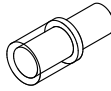
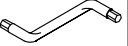
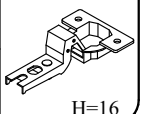
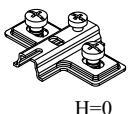
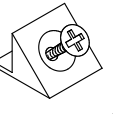

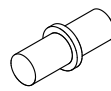
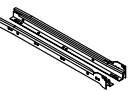
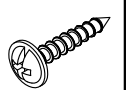


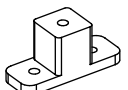
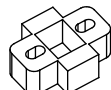
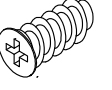


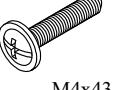

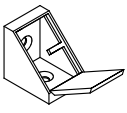



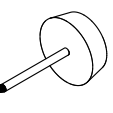
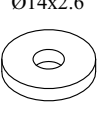
PALACE RIVIERA SB 800

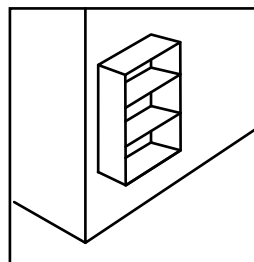
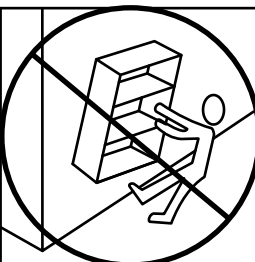
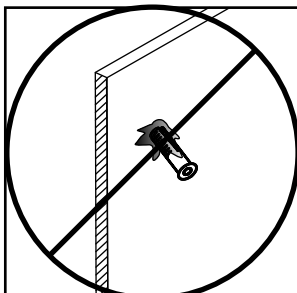
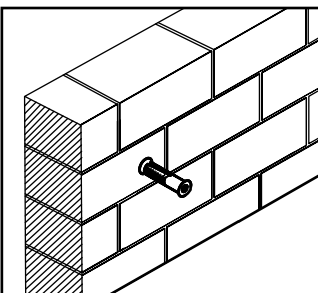
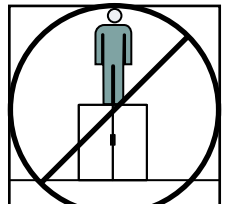
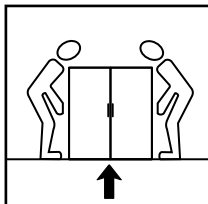
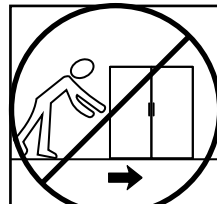
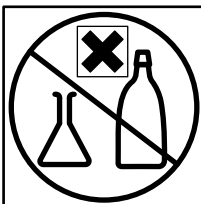
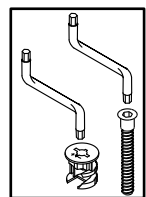
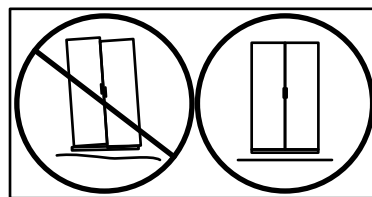
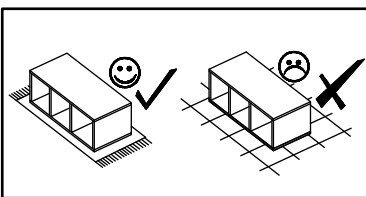
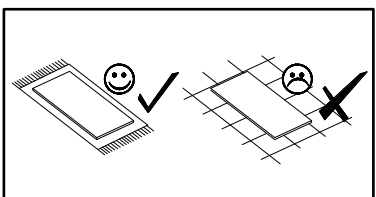
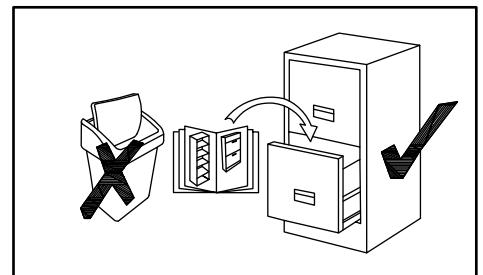
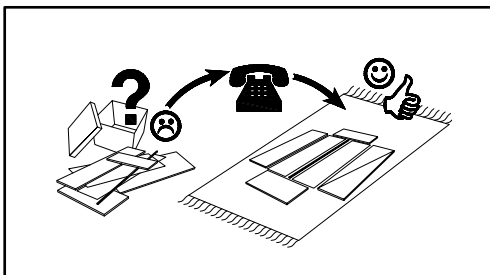
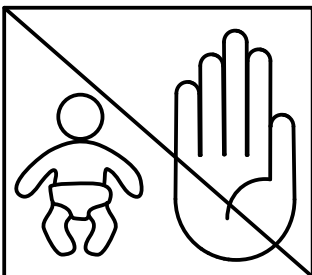
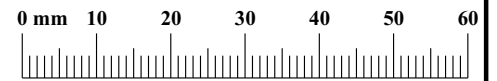


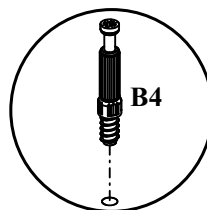
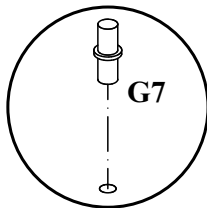
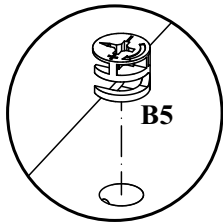
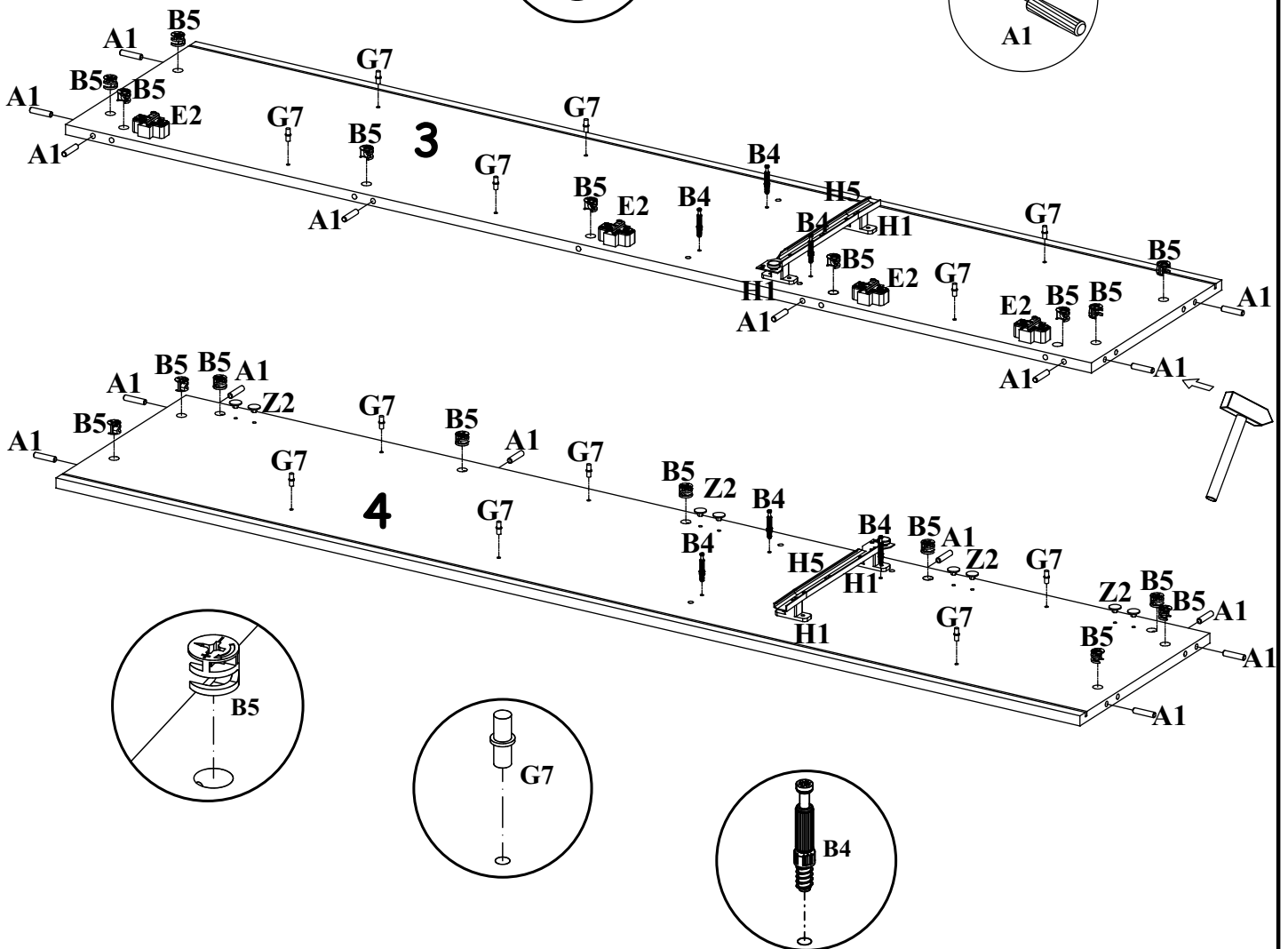
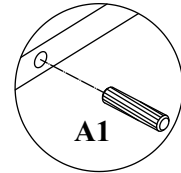
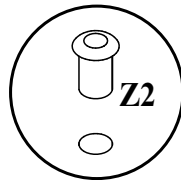
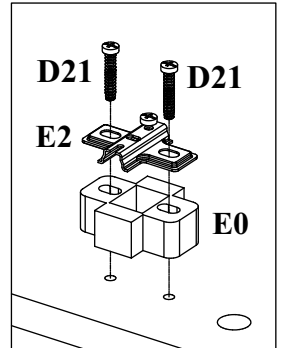
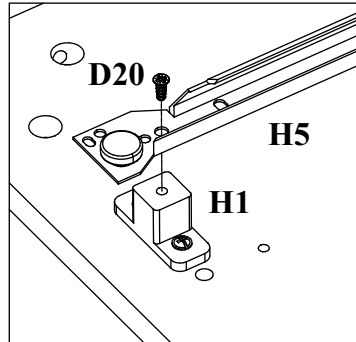
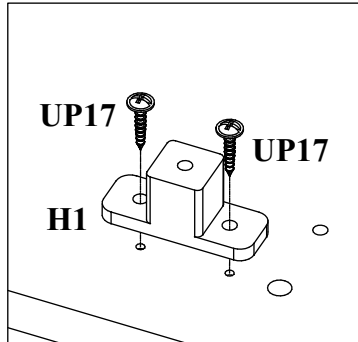
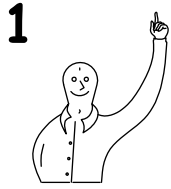
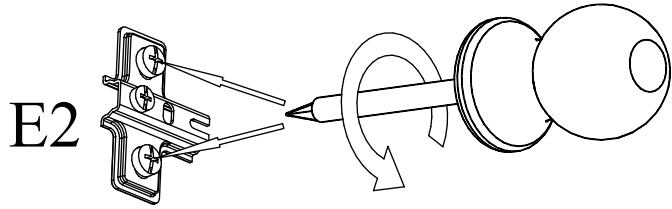
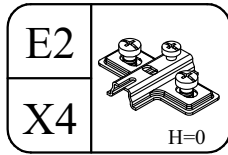
NO	Dim.	Col.-No	Qty
1	430 400	1	1
2	430 400	1	1
3	1758 370	1	1
4	1758 370	1	1
5	1758 43	1	2
7	373 60	1	2
9	370 100	1	1
10	370 350	1	1
11	370 330	1	3

NO	Dim.	Col.-No	Qty
12	517 336	1	1
13	336 187	1	1
14	1038 336	1	1
16	300 120	1	1
17	300 120	1	1
18	263 100	1	1
19	304 274	1	1
20	428 60	1	1
21	1769 381	1	1
22a	483 55	1	1
22b	426 55	1	1
22c	426 55	1	1

PALACE RIVIERA SB 800

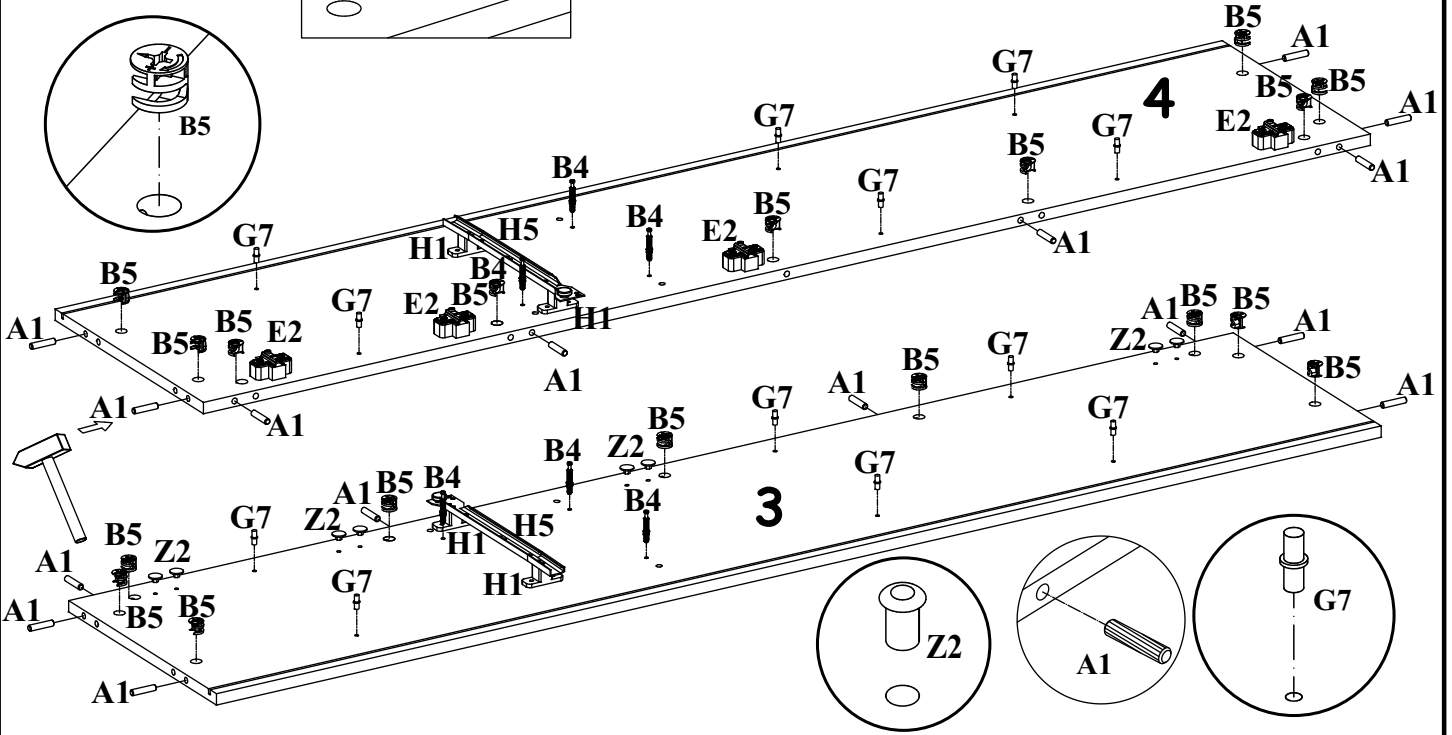
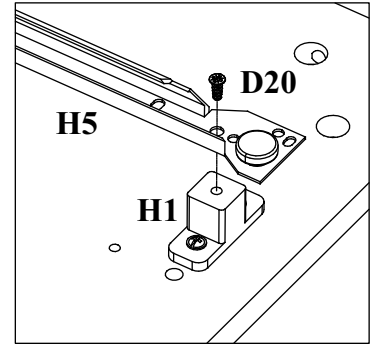
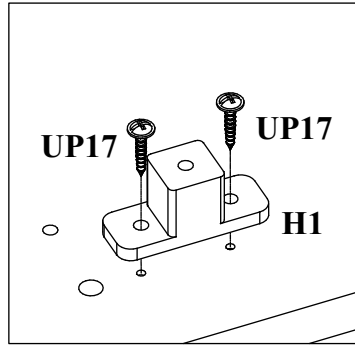
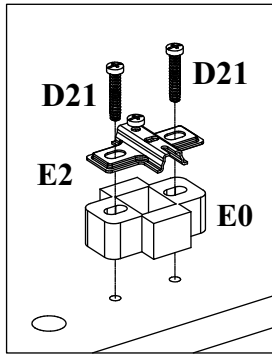
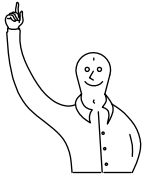
A1 X30  ø8x36	B4 X26 	B5 X26  ø15x12	G5 X26 	G20 X2 	G2 X1 
E5 X4  H=16	E2 X4  H=0	S1 X15 	D10 X16  USØ3,5x13	G7 X12 	H5 X1 
UP13 X6  UPØ3x16	B11 X8  Ø7x50	G4 X4 	H1 X4 	E0 X4 	D20 X4  ESØ6x9,5
GG42 X3  GG42+SD07	D5 X1  M4x25	D32 X2  M4x43	D21 X8  EWØ6,3x30	KM1 X2 	UP17 X8  UPØ4x16
Z2 X10  Ø5	D9 X6  USØ3x20	I2 X4 	P1 X2  Ø14x2.6		



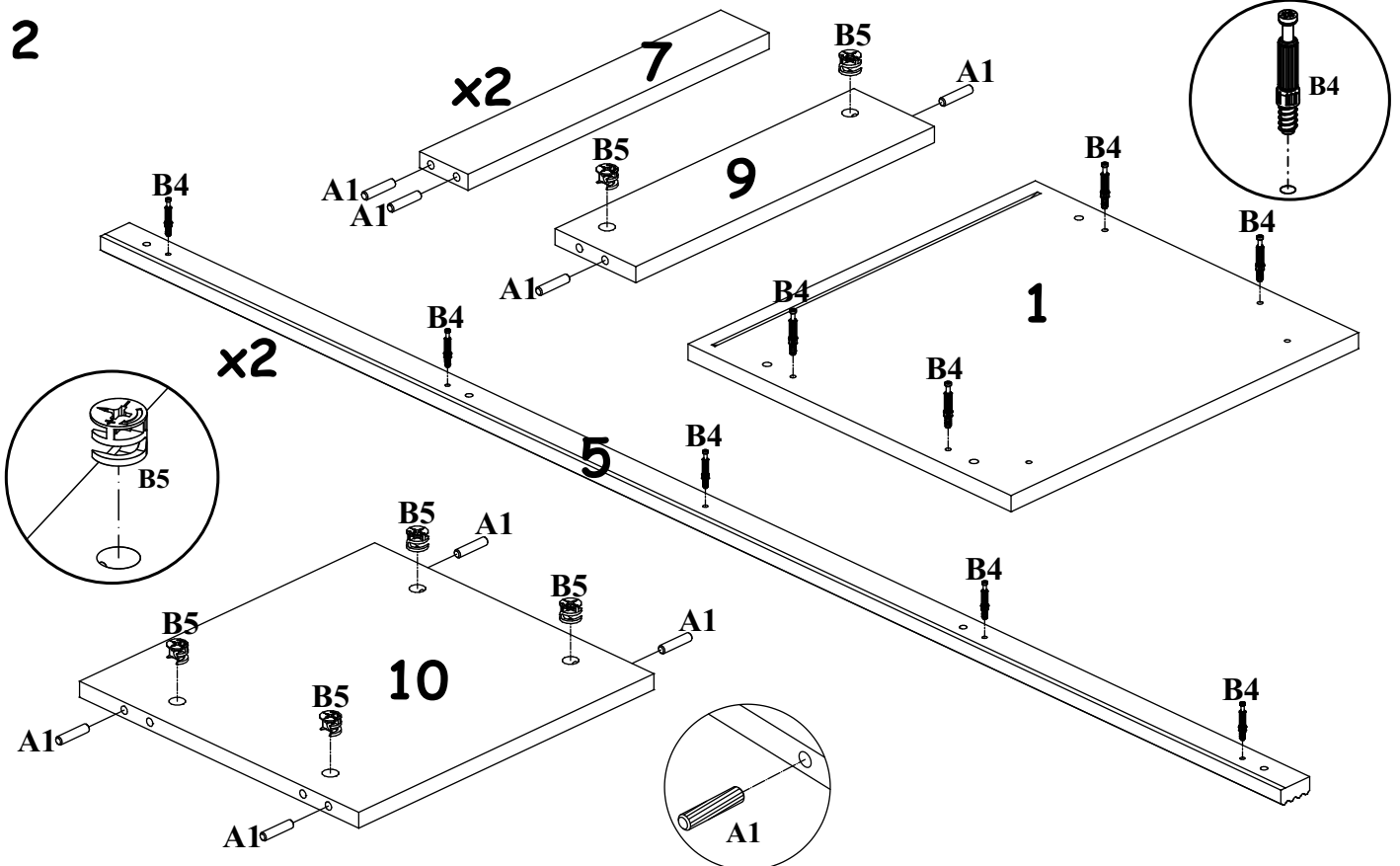


PALACE RIVIERA SB 800

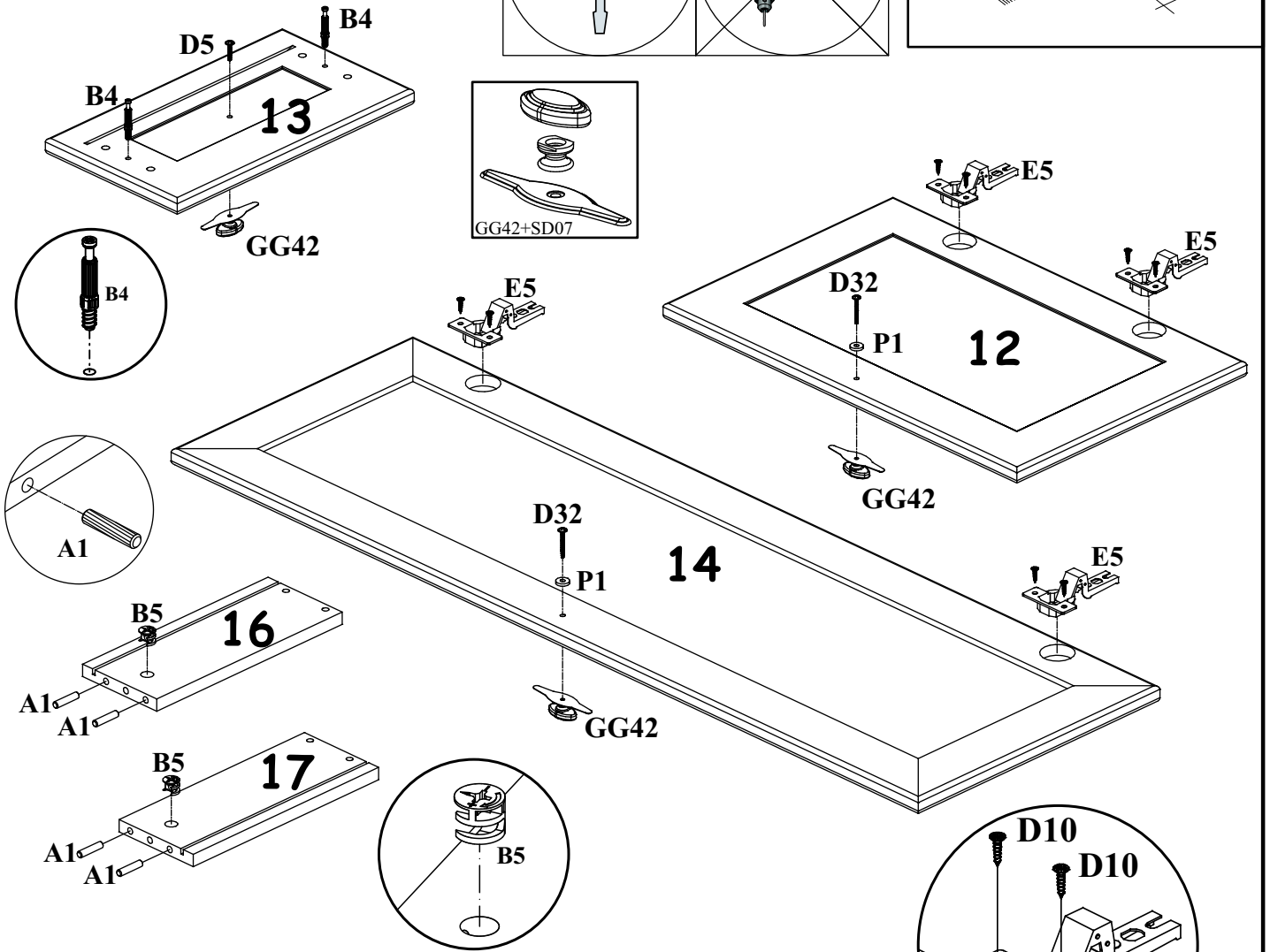
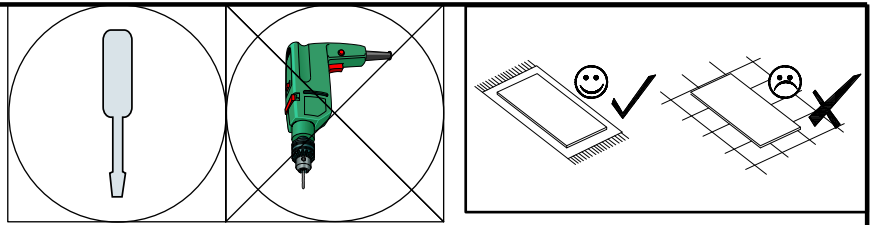
1



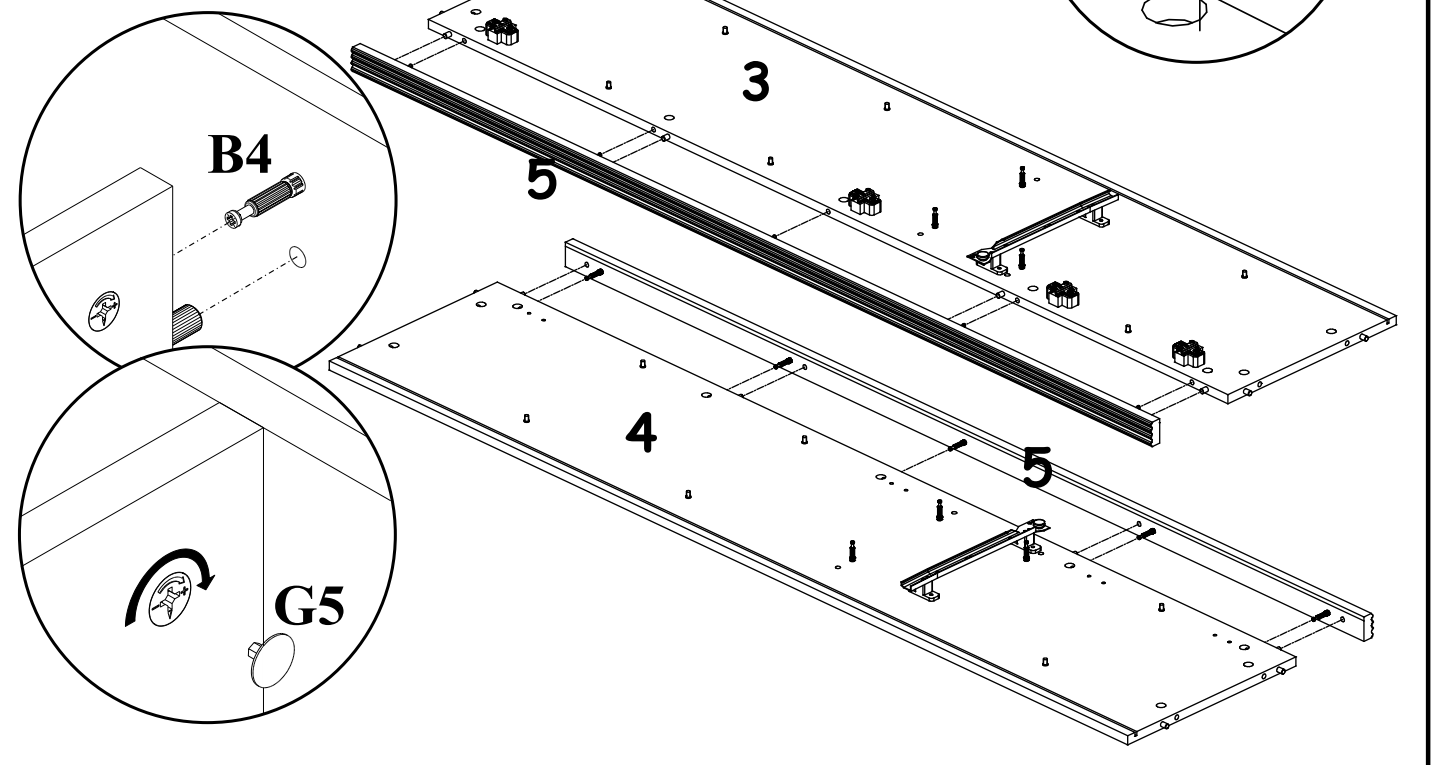
2



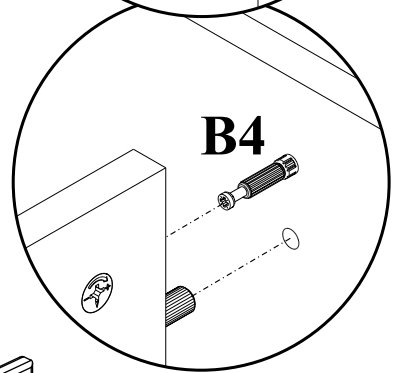
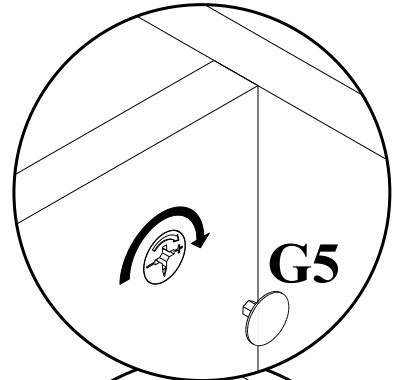
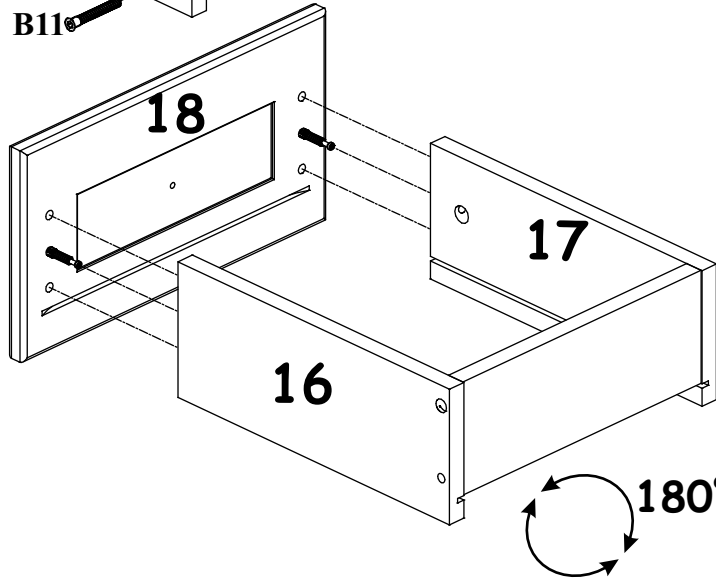
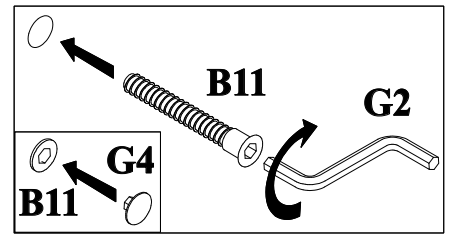
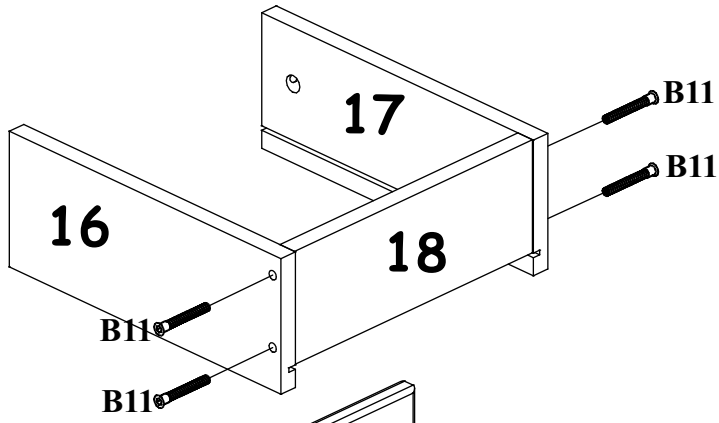
3



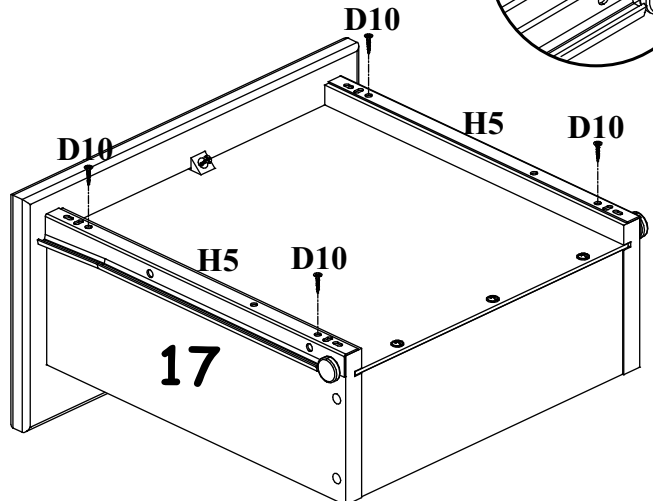
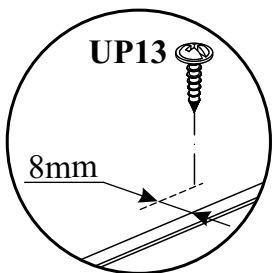
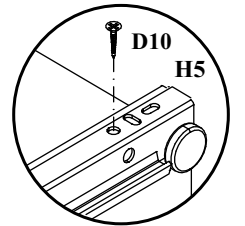
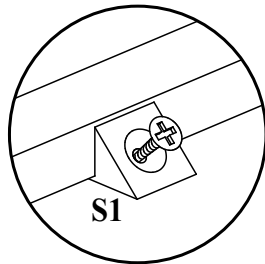
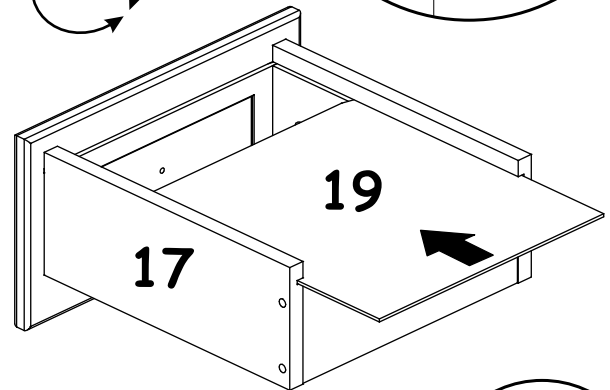
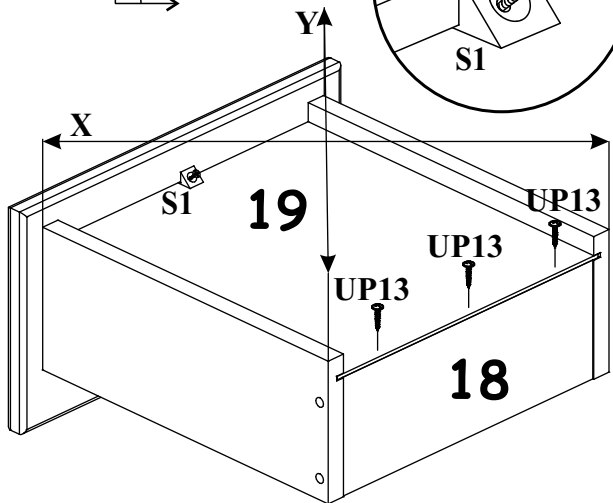
4



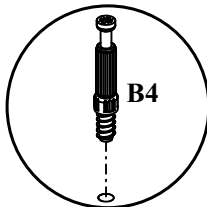
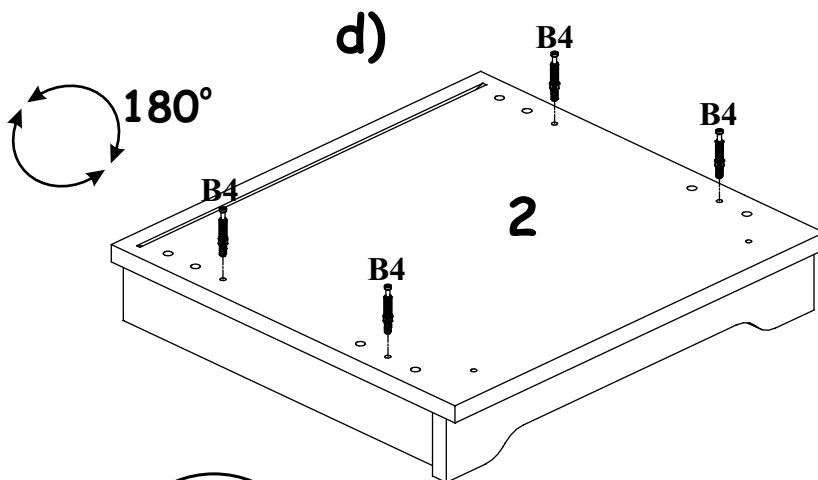
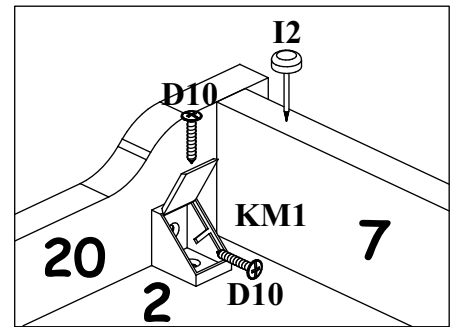
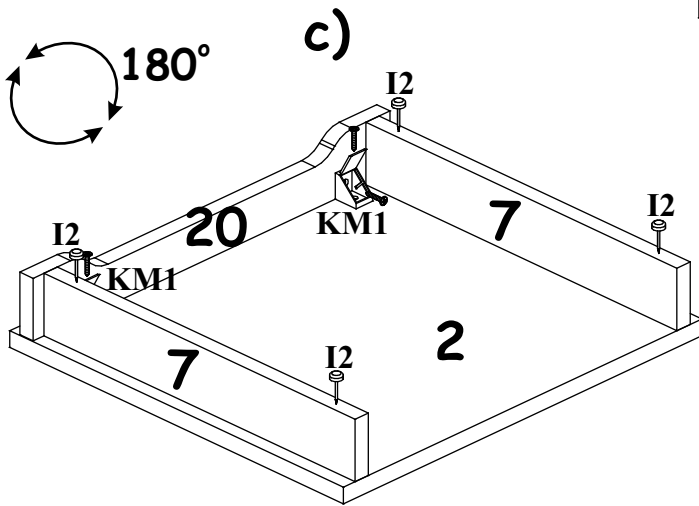
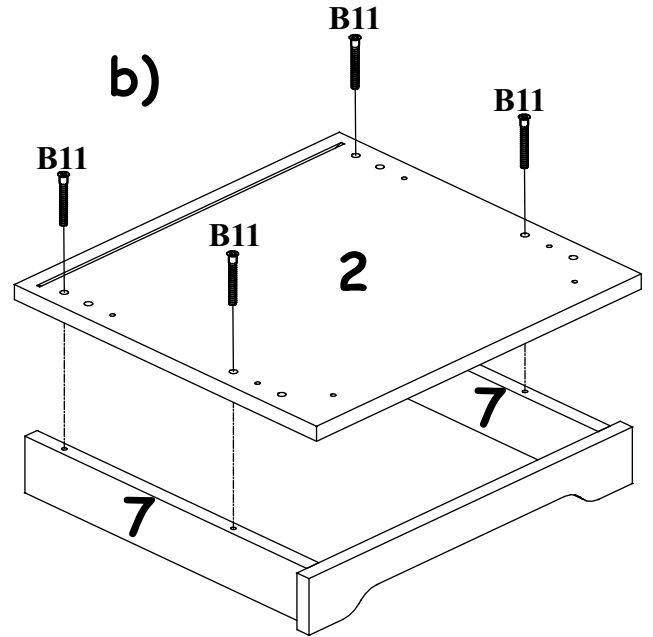
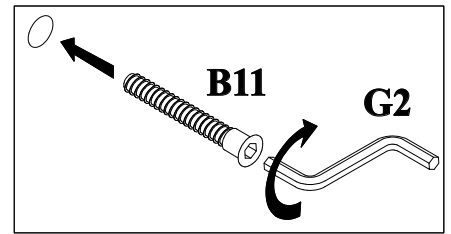
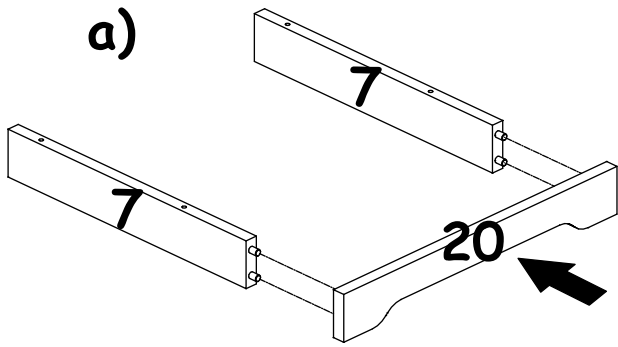
5



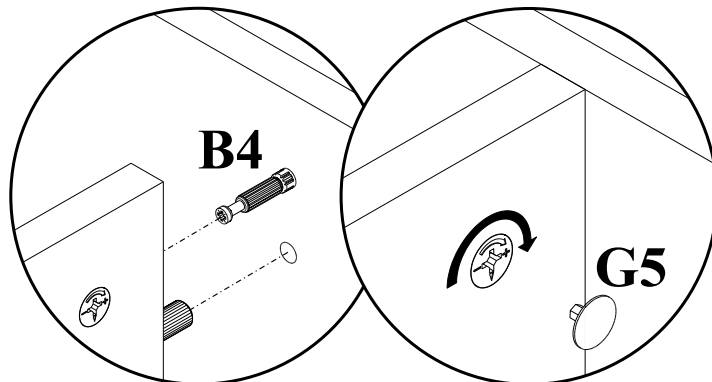
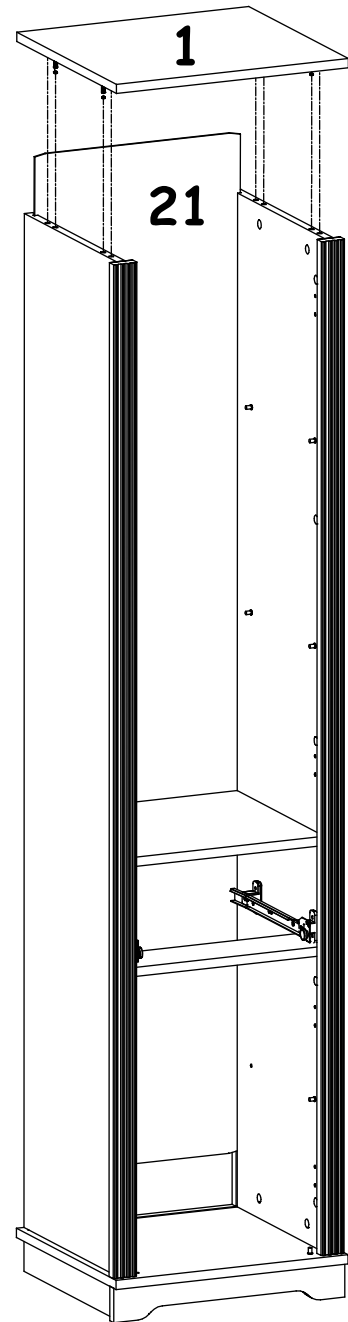
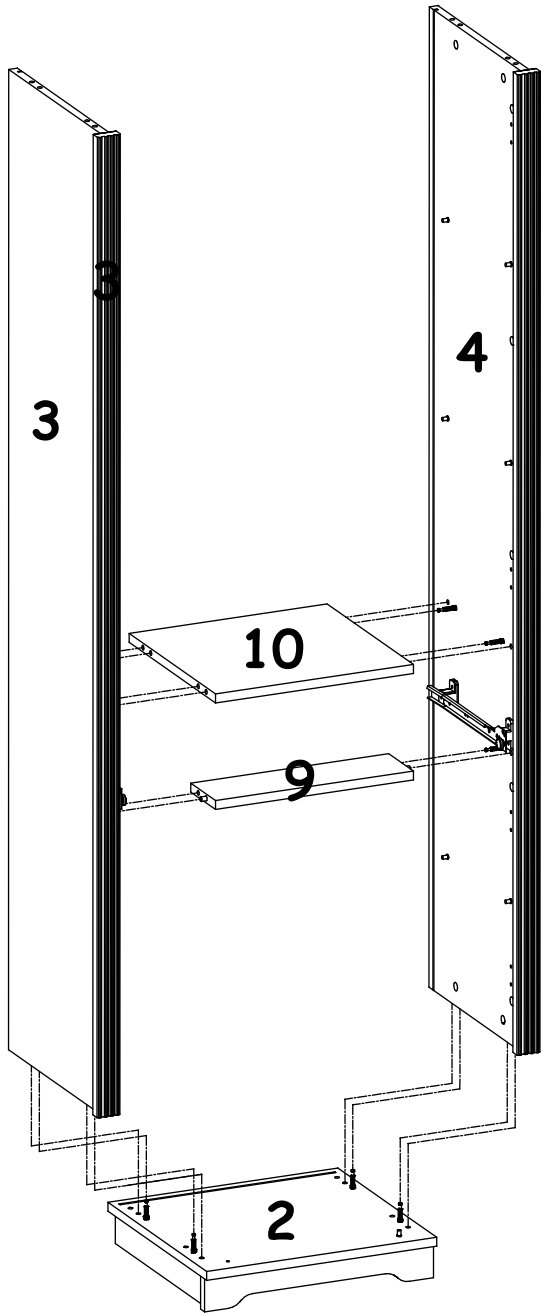
X=y 90°



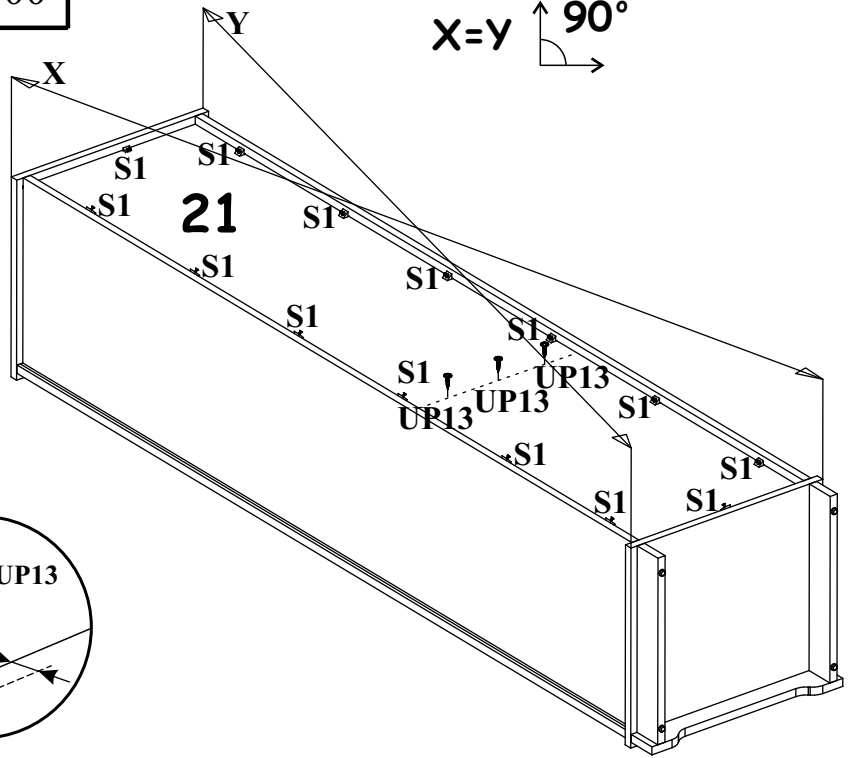
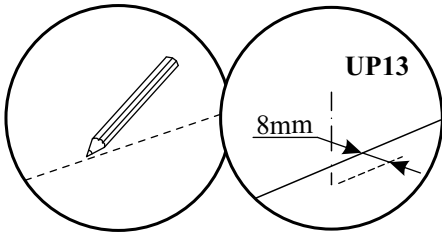
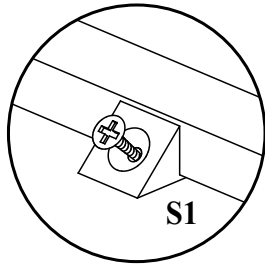
6



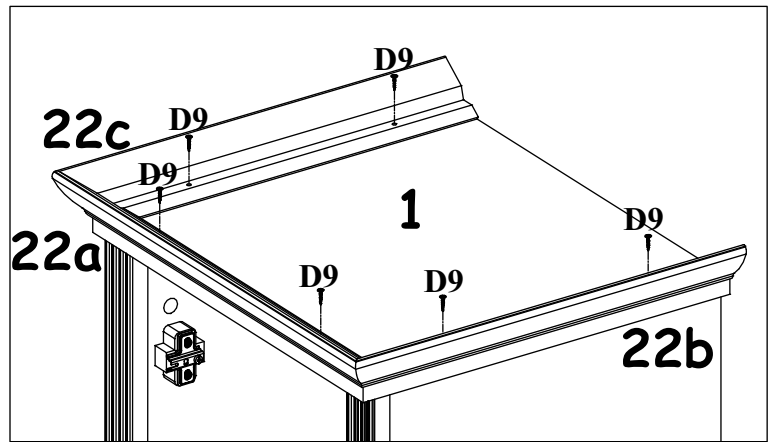
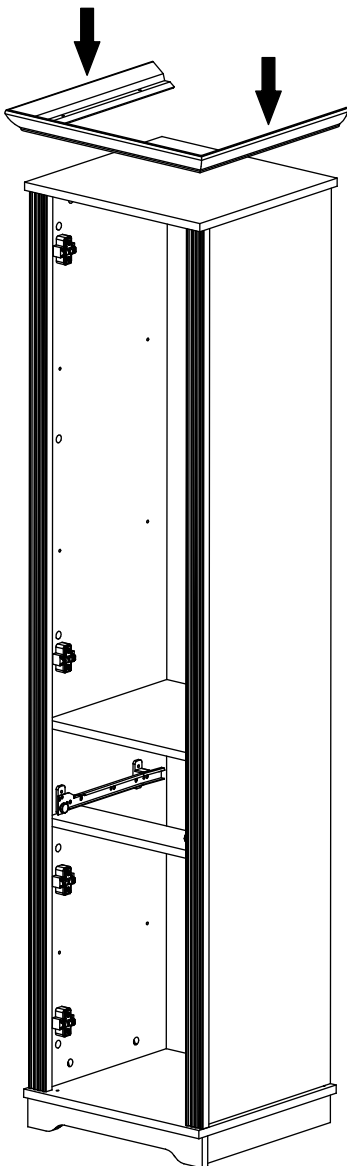
7



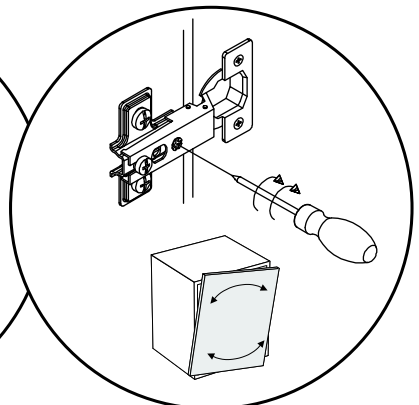
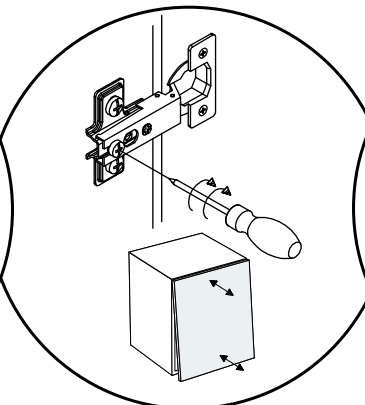
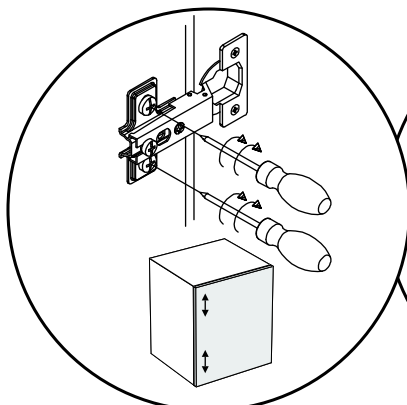
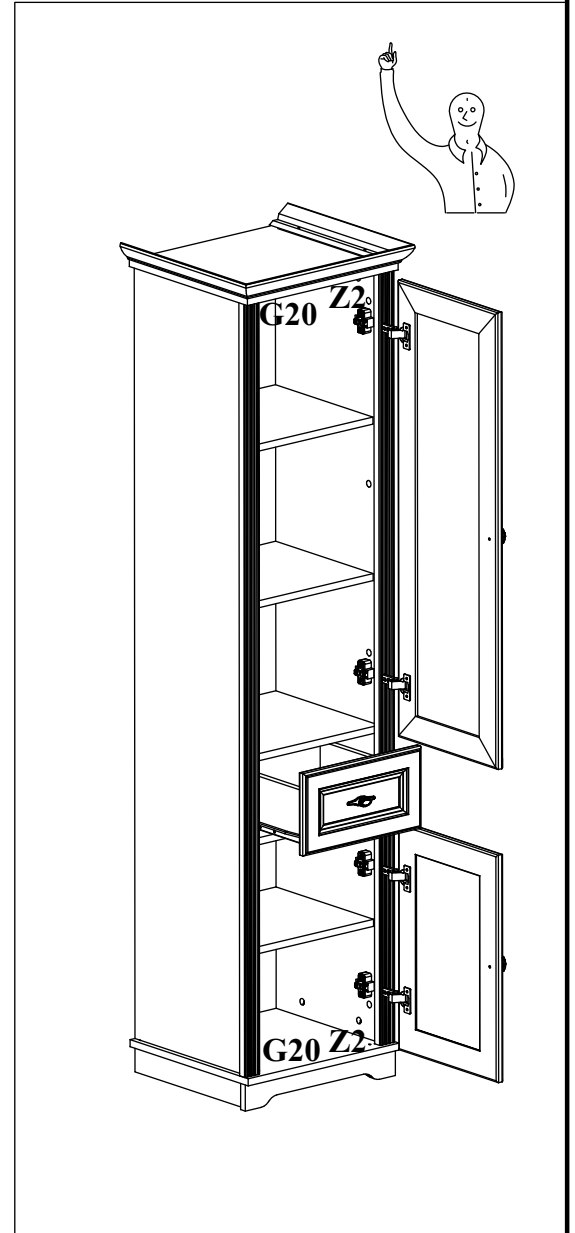
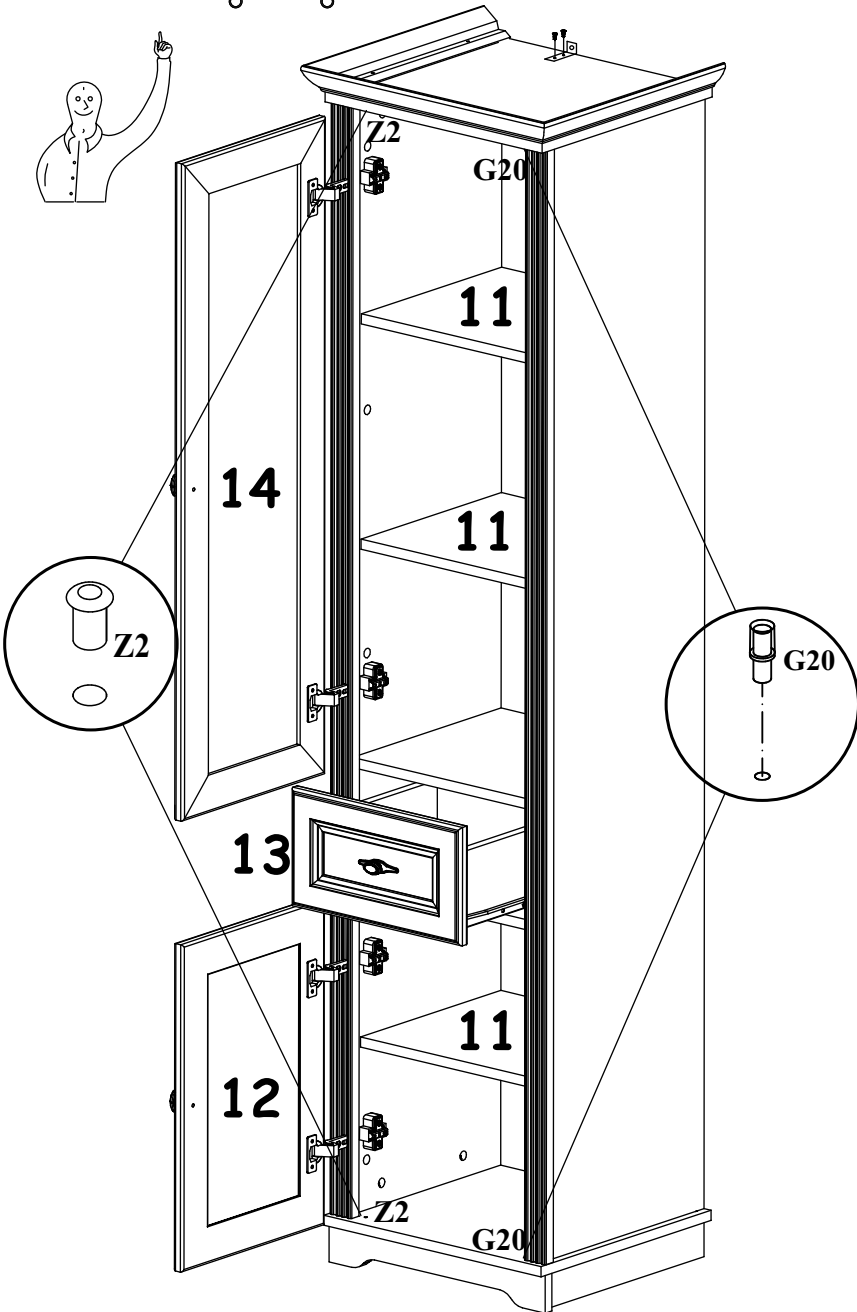
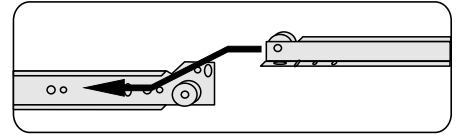
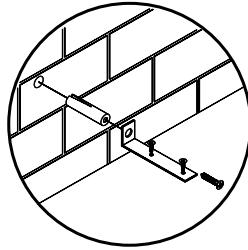
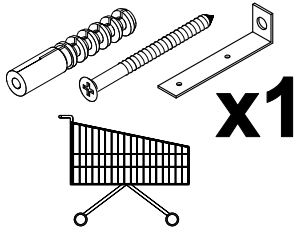
9



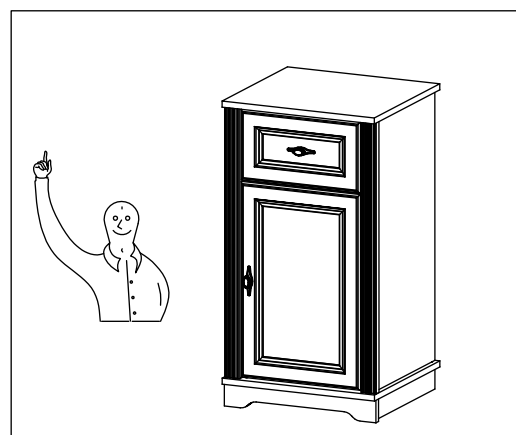
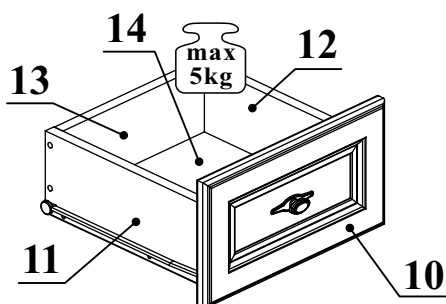
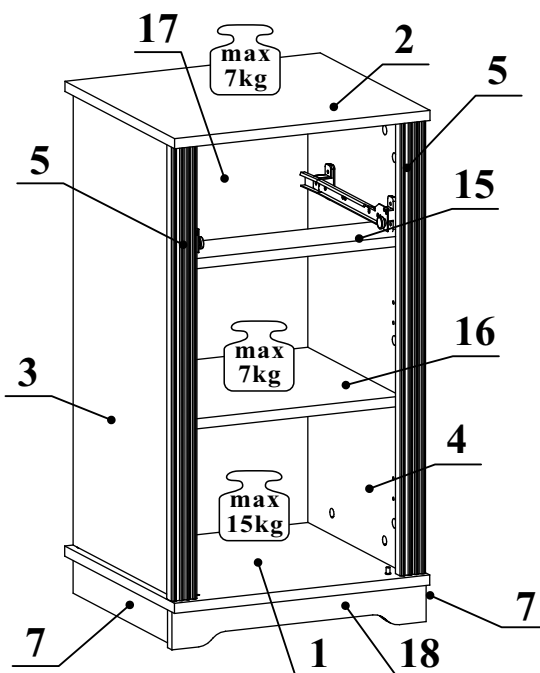
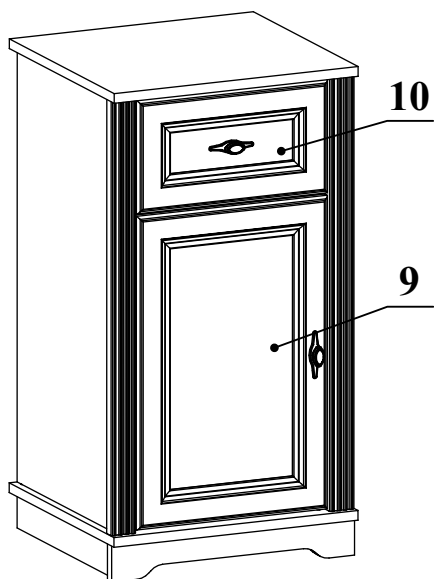
10



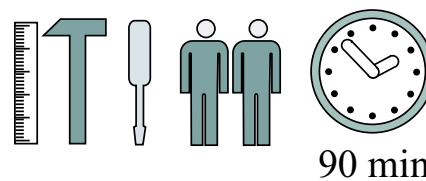
11



PALACE RIVIERA KJ 810



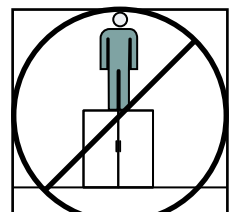
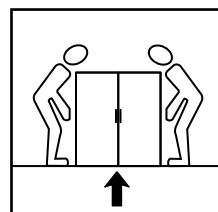
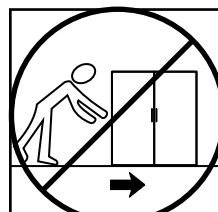
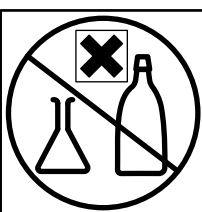
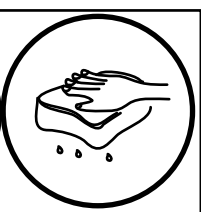
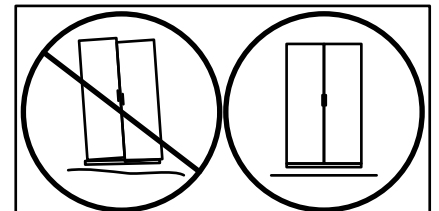
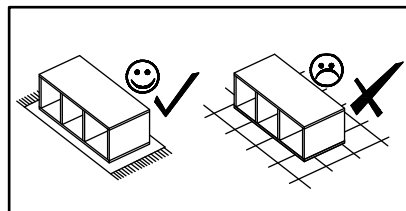
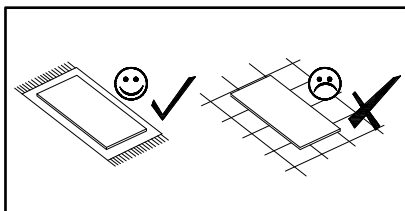
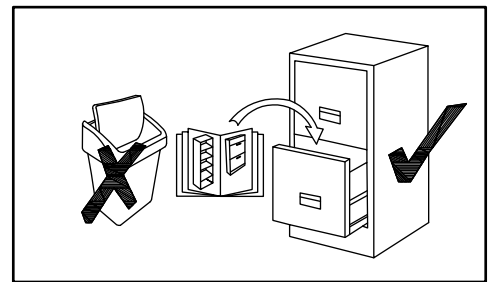
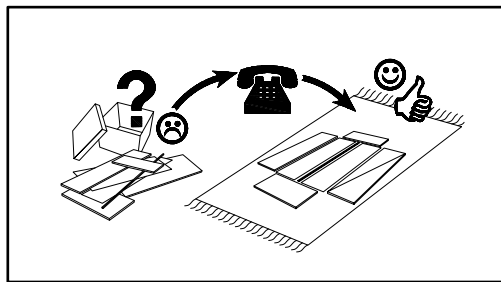
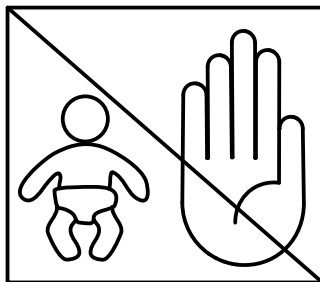
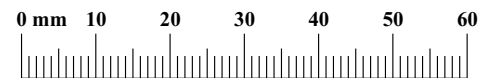
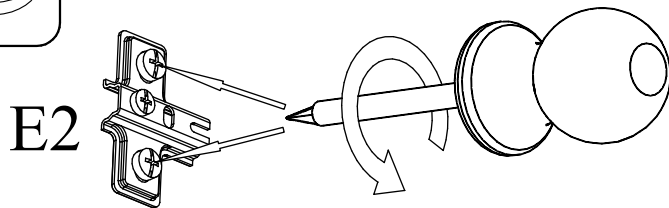
NO	Dim.		Col.-No	Qty
1	430	400	1	1
2	430	400	1	1
3	716	370	1	1
4	716	370	1	1
5	716	43	1	2
7	373	60	1	2
9	517	336	1	1
10	336	187	1	1
11	300	120	1	1
12	300	120	1	1
13	263	100	1	1
14	304	274	1	1
15	370	100	1	1
16	370	340	1	1
17	727	381	1	1
18	428	60	1	1



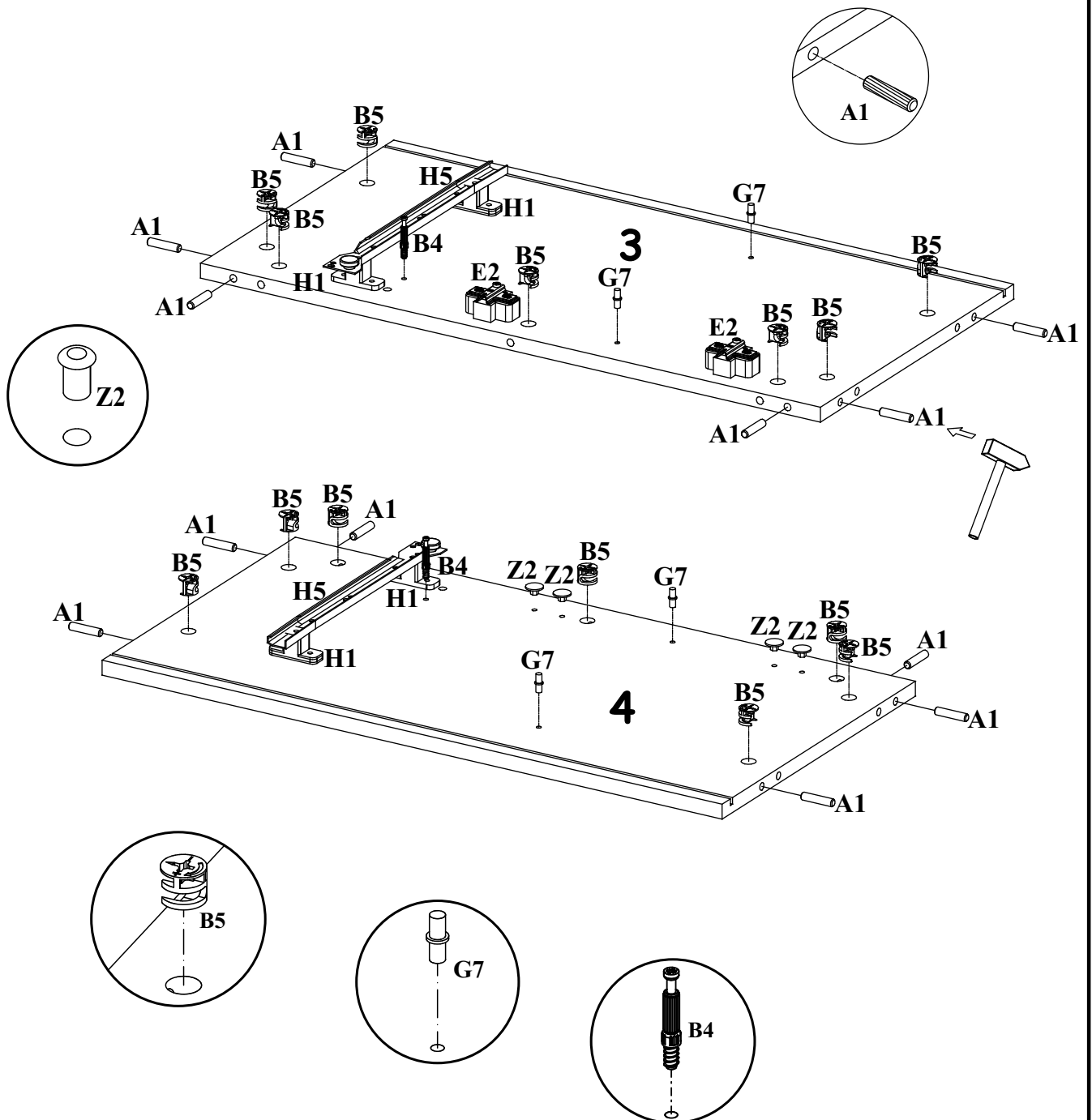
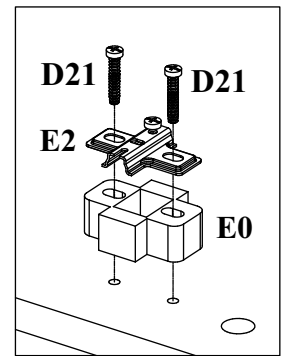
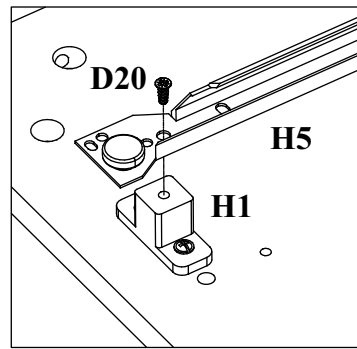
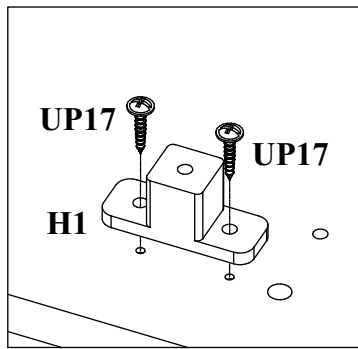
90 min

PALACE RIVIERA KJ 810

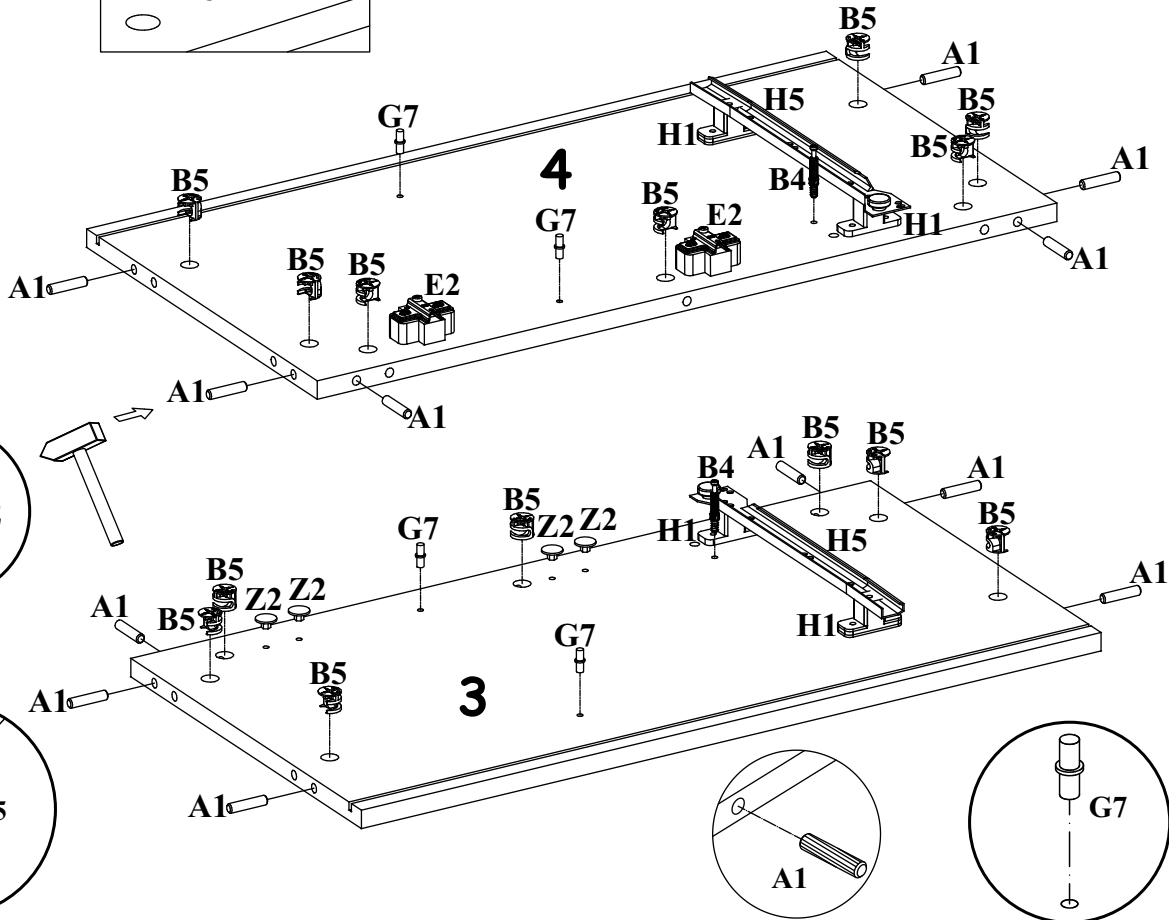
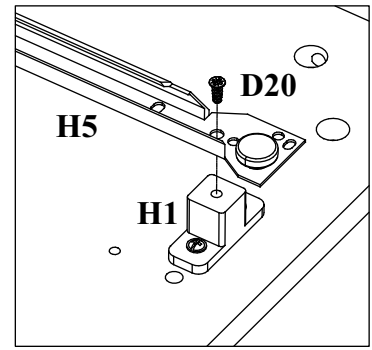
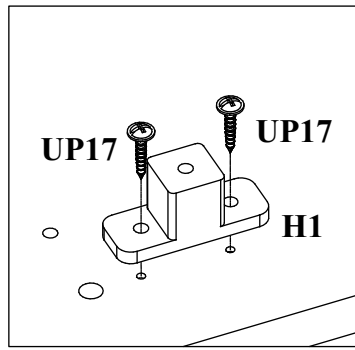
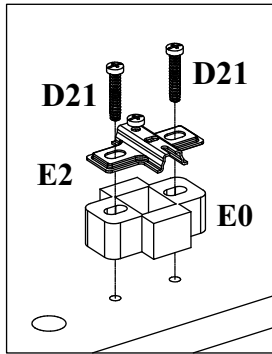
A1 X22 ø8x36	B4 X18	B5 X18 ø15x12	G5 X18	G20 X1	G2 X1
E5 X2 H=16	E2 X2 H=0	S1 X7	D10 X12 USØ3,5x13	G7 X4	H5 X1
UP13 X3 UPØ3x16	B11 X8 Ø7x50	G4 X4	H1 X4	E0 X2	D20 X4 ESØ6x9,5
GG42 X2 GG42+SD07	D5 X1 M4x25	D32 X1 M4x43	D21 X4 EWØ6,3x30	KM1 X2	UP17 X8 UPØ4x16
P1 X1 Ø14x2.6	Z2 X5 Ø5	I2 X4			



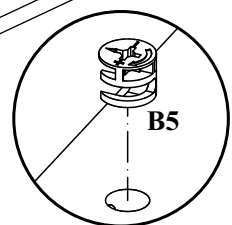
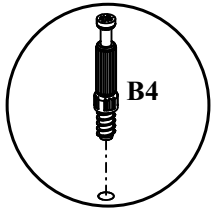
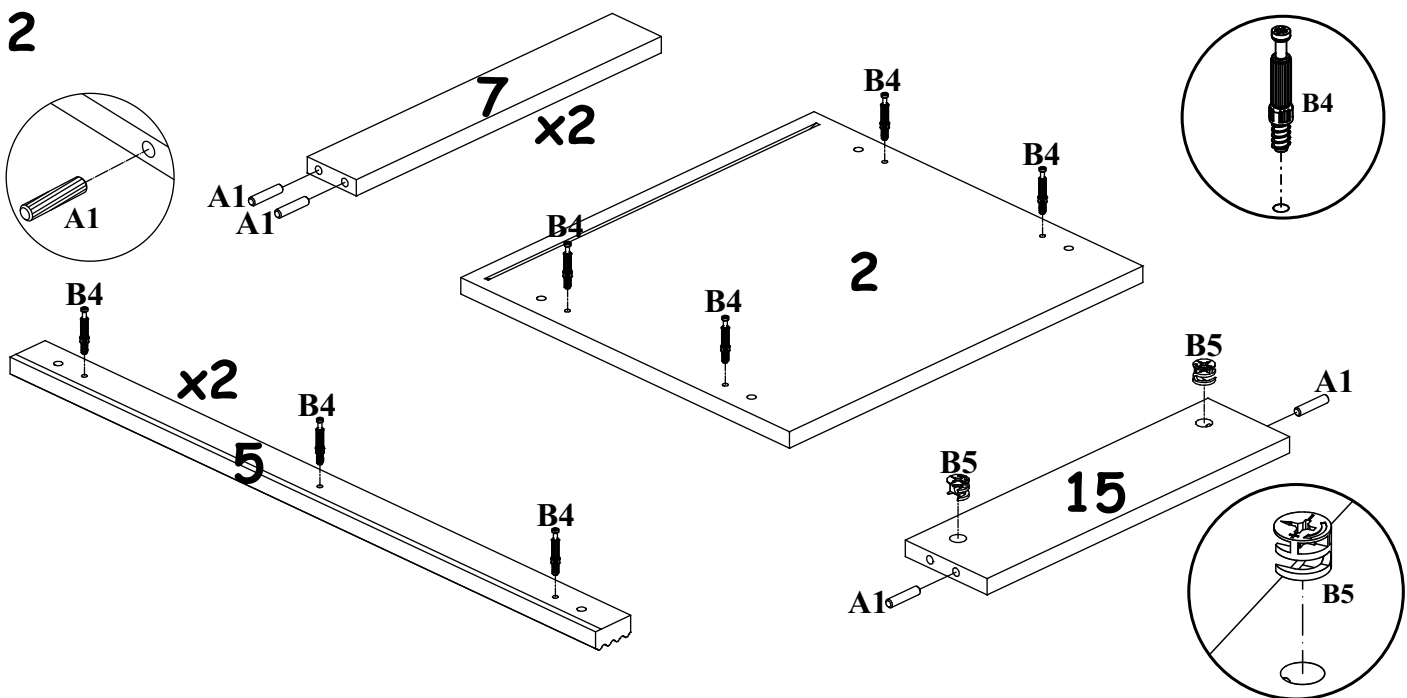
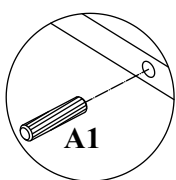
1



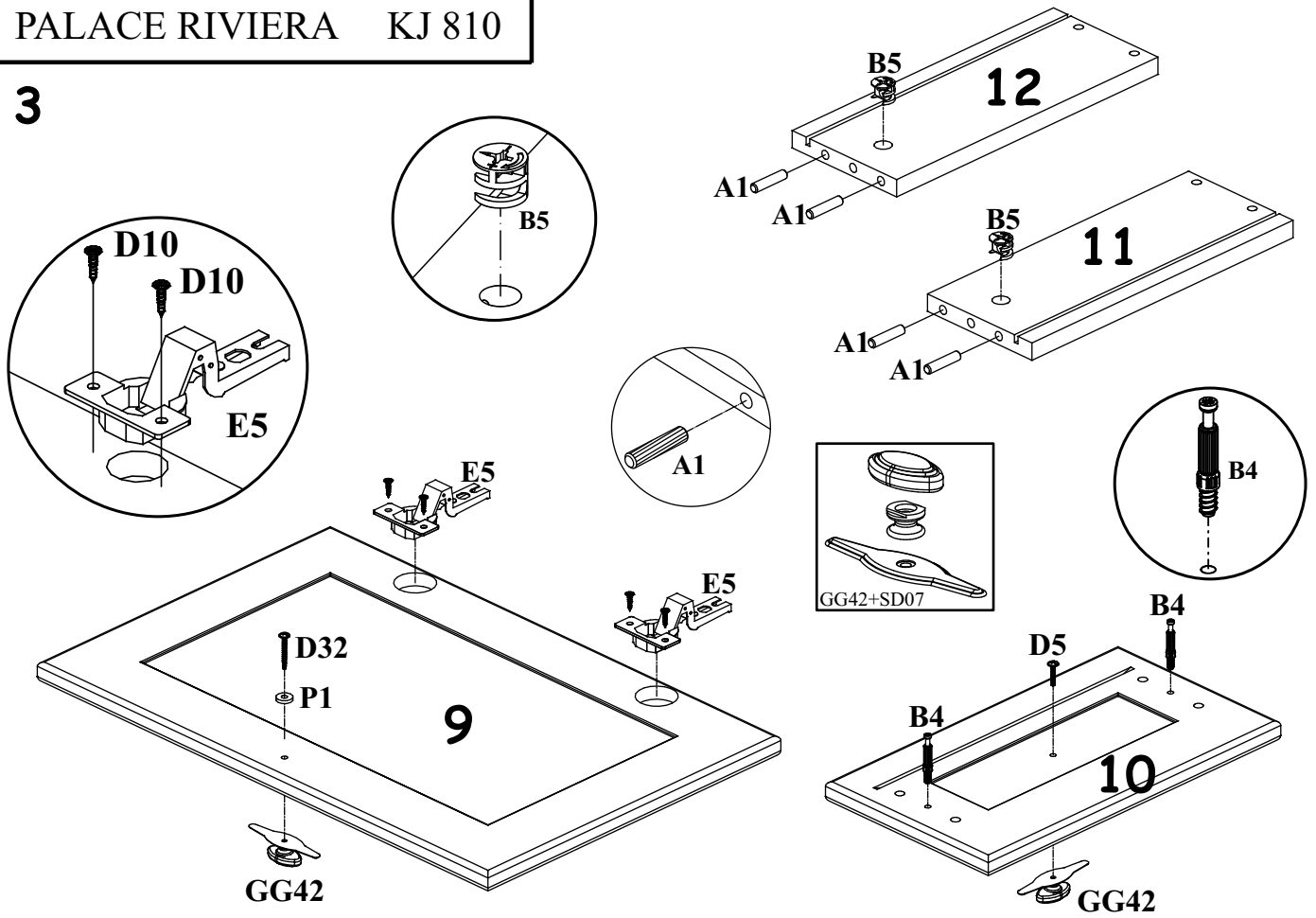
1



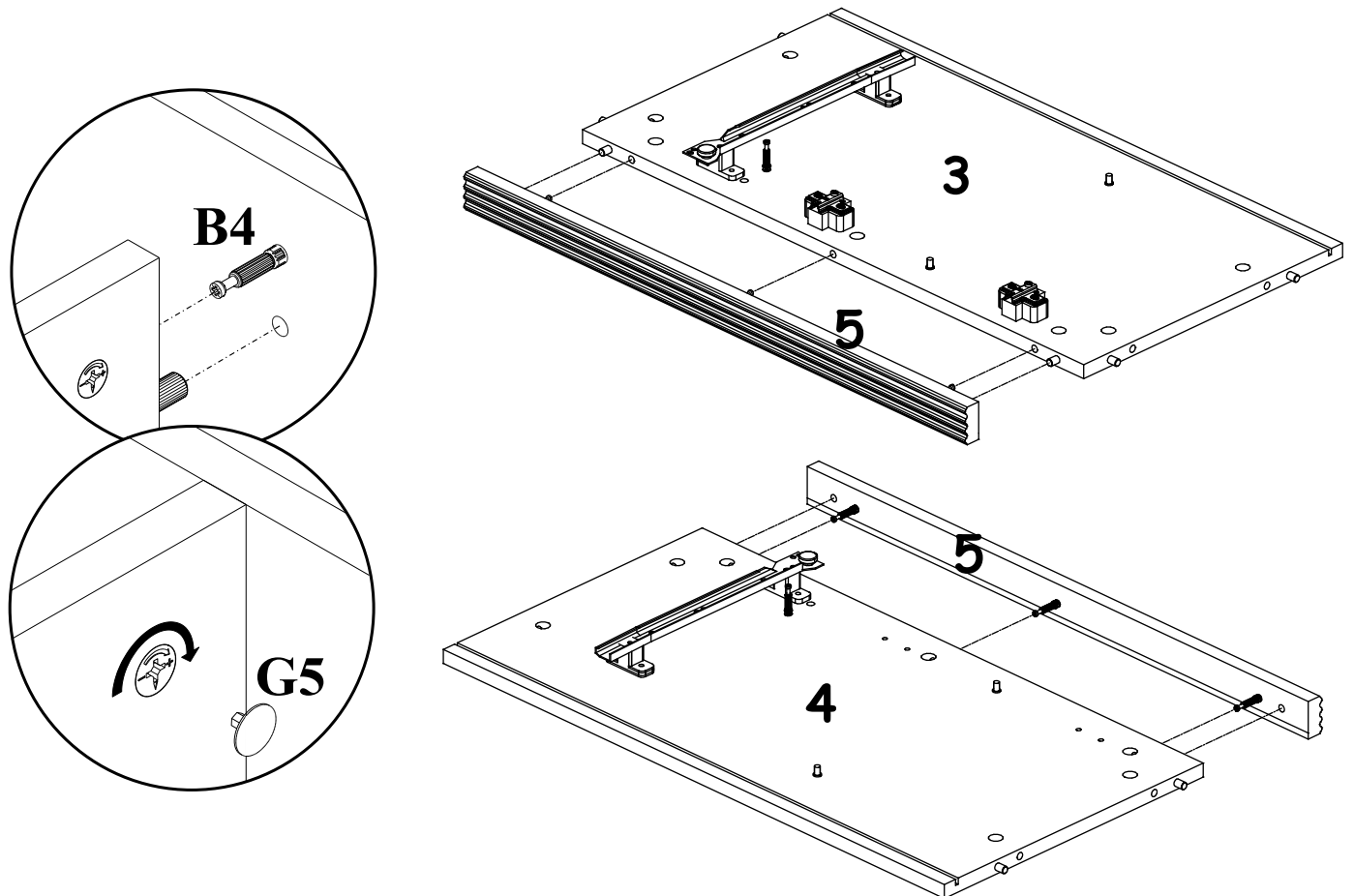
2



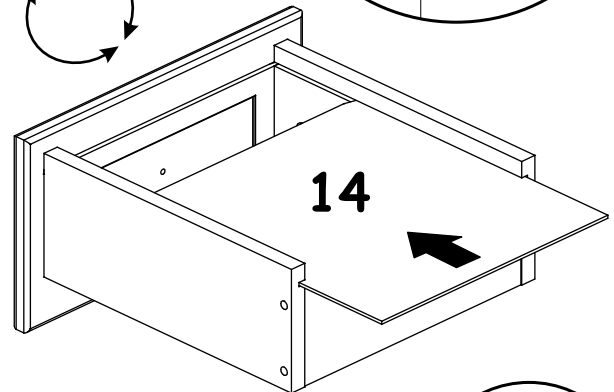
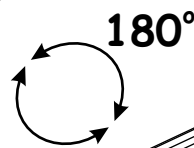
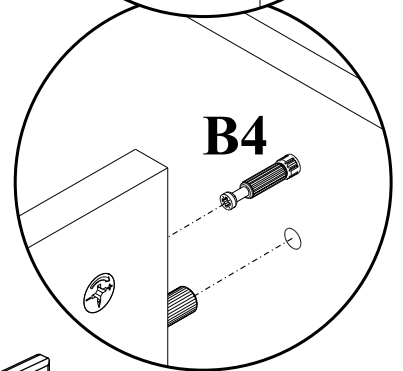
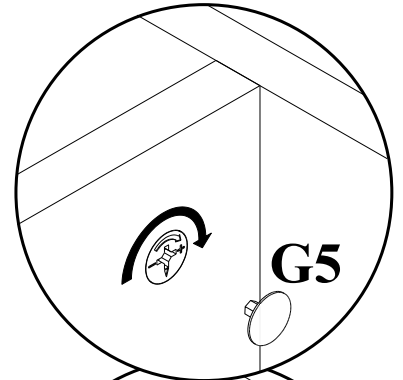
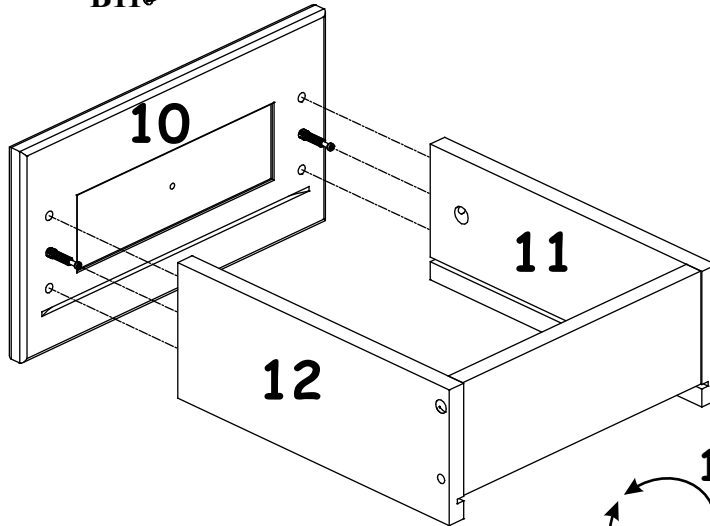
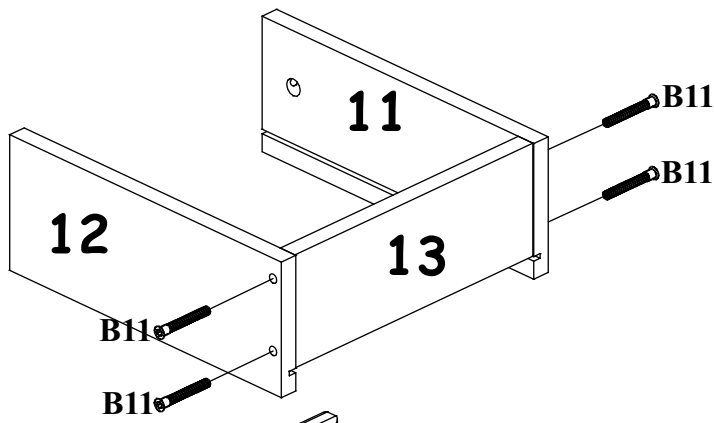
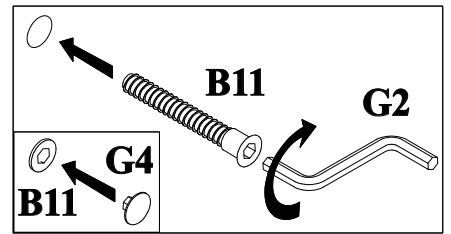
3



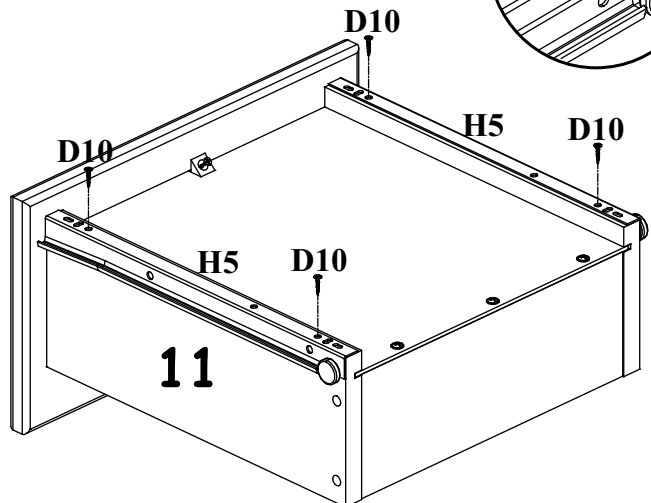
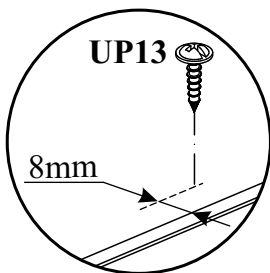
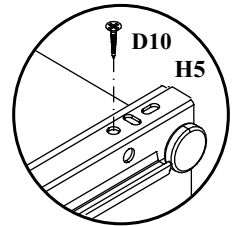
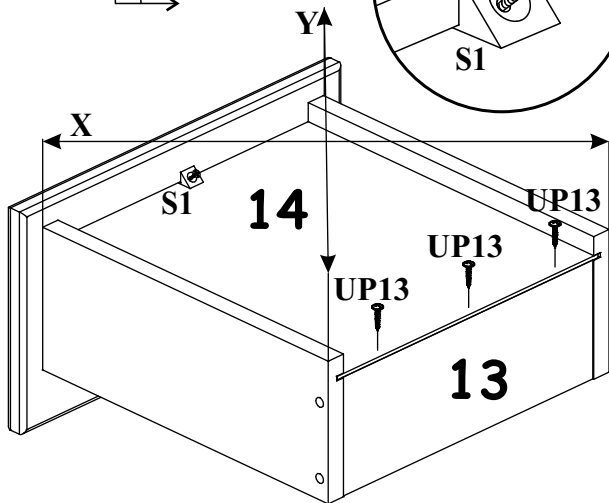
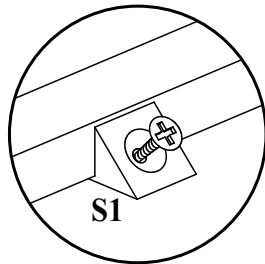
4



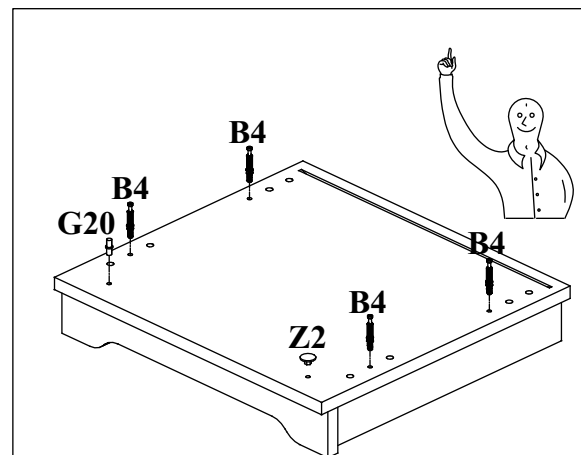
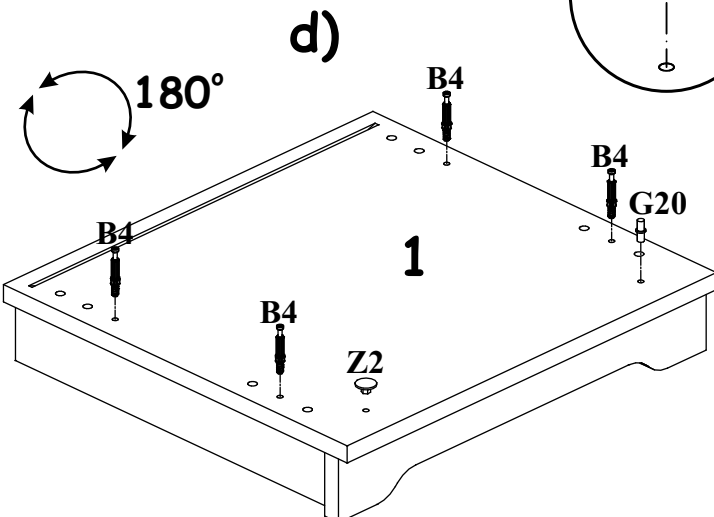
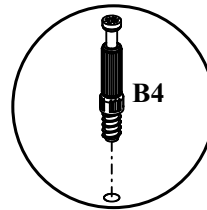
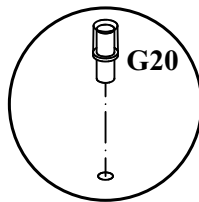
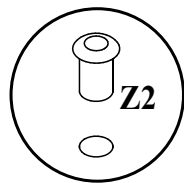
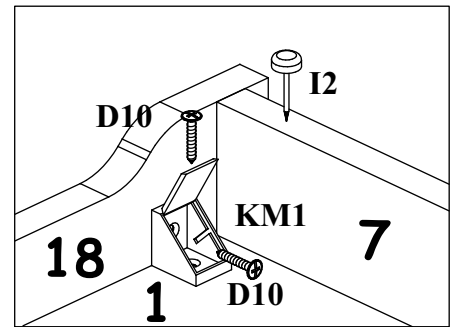
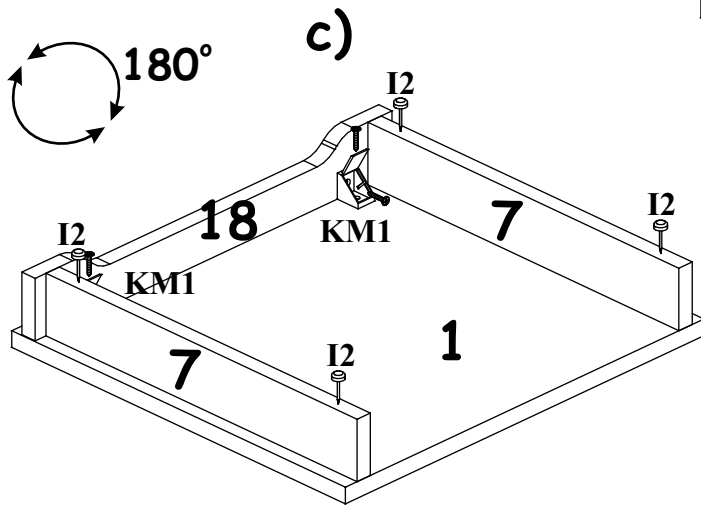
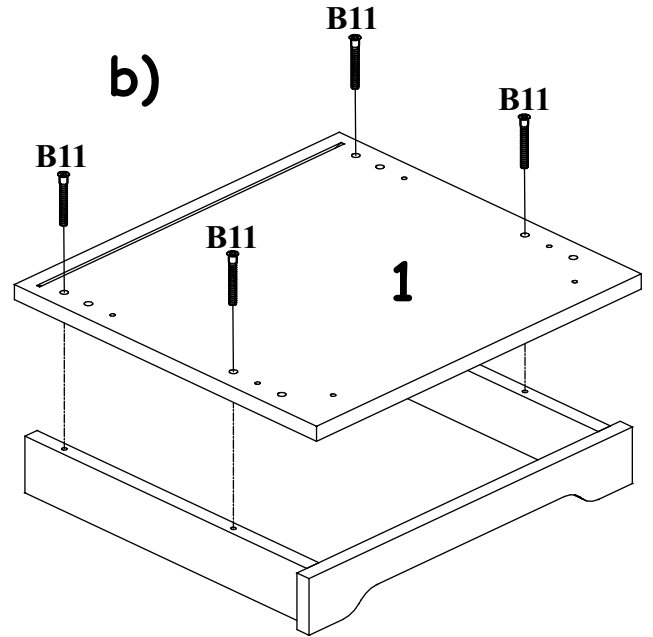
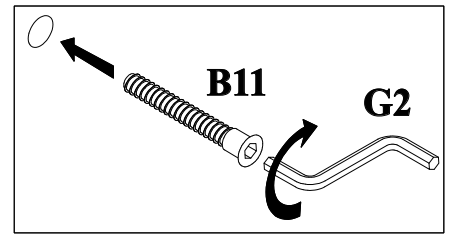
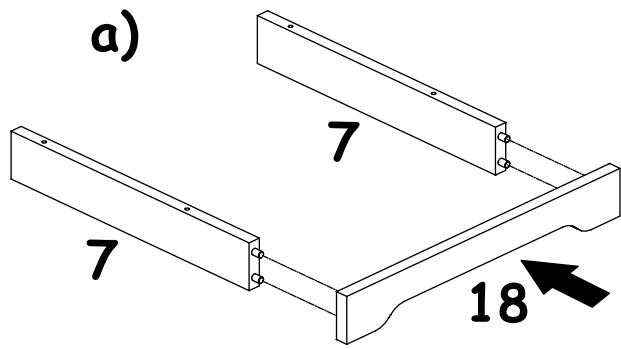
5



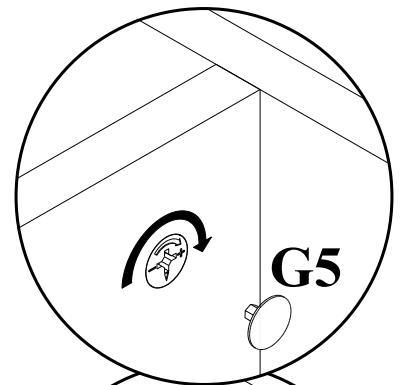
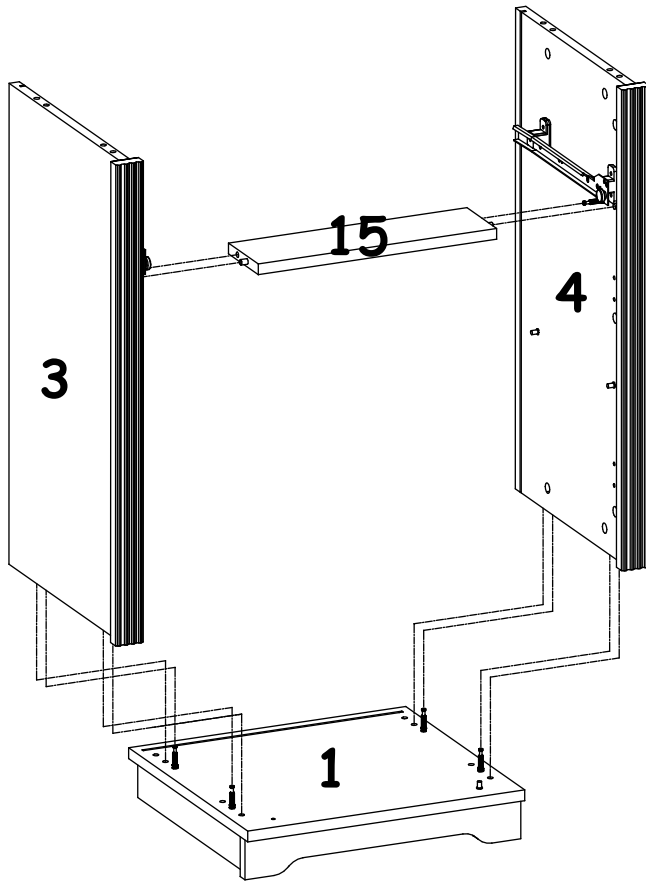
X=y 90°



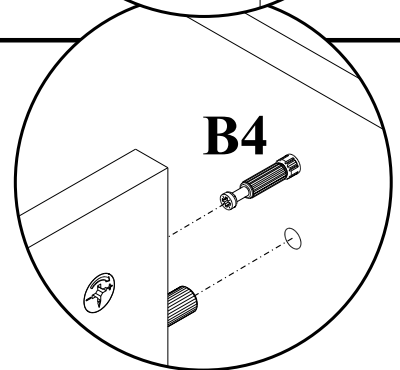
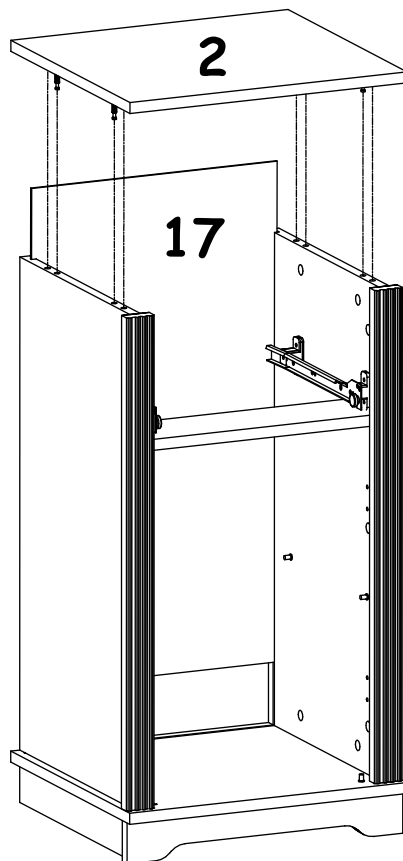
6



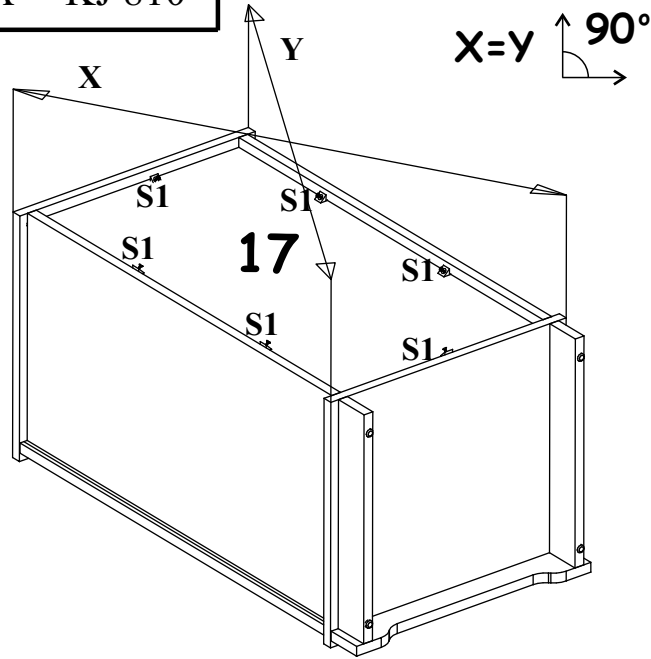
7



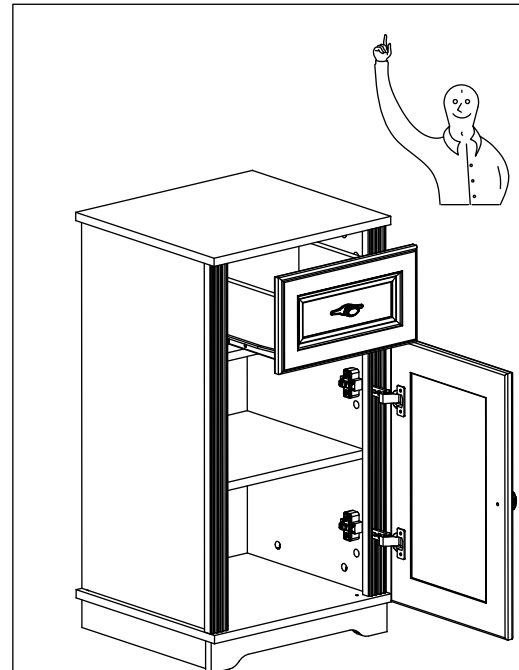
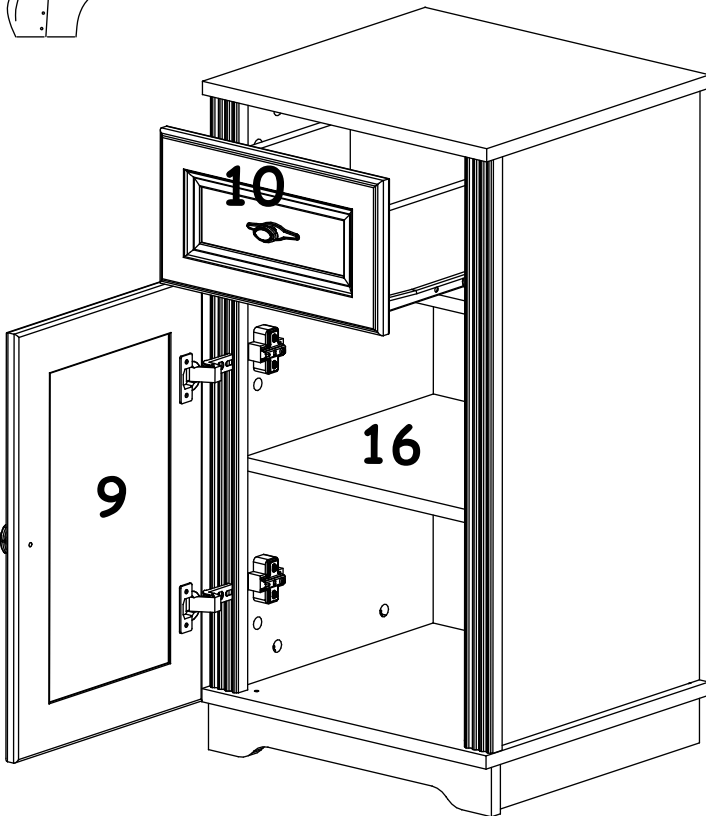
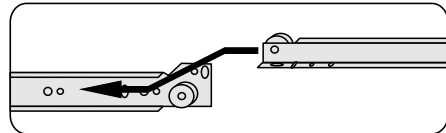
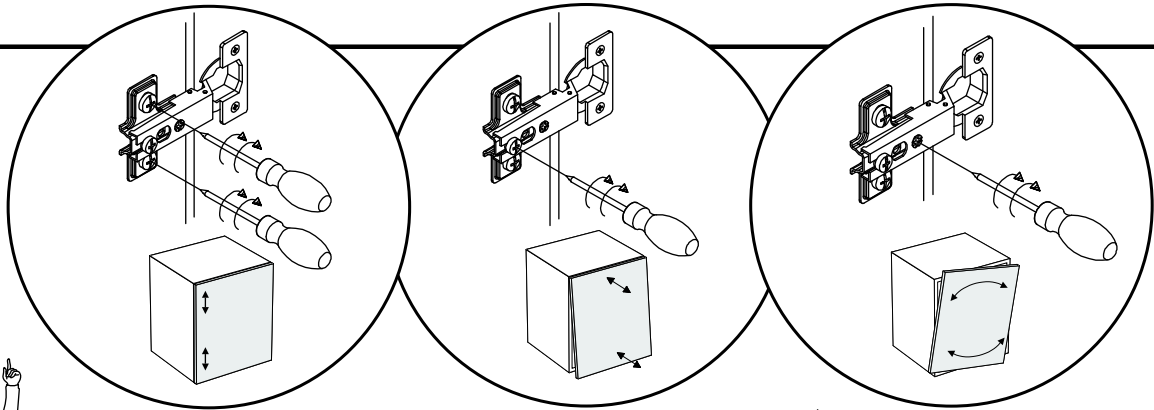
8



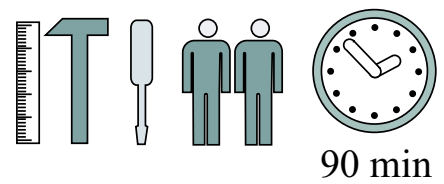
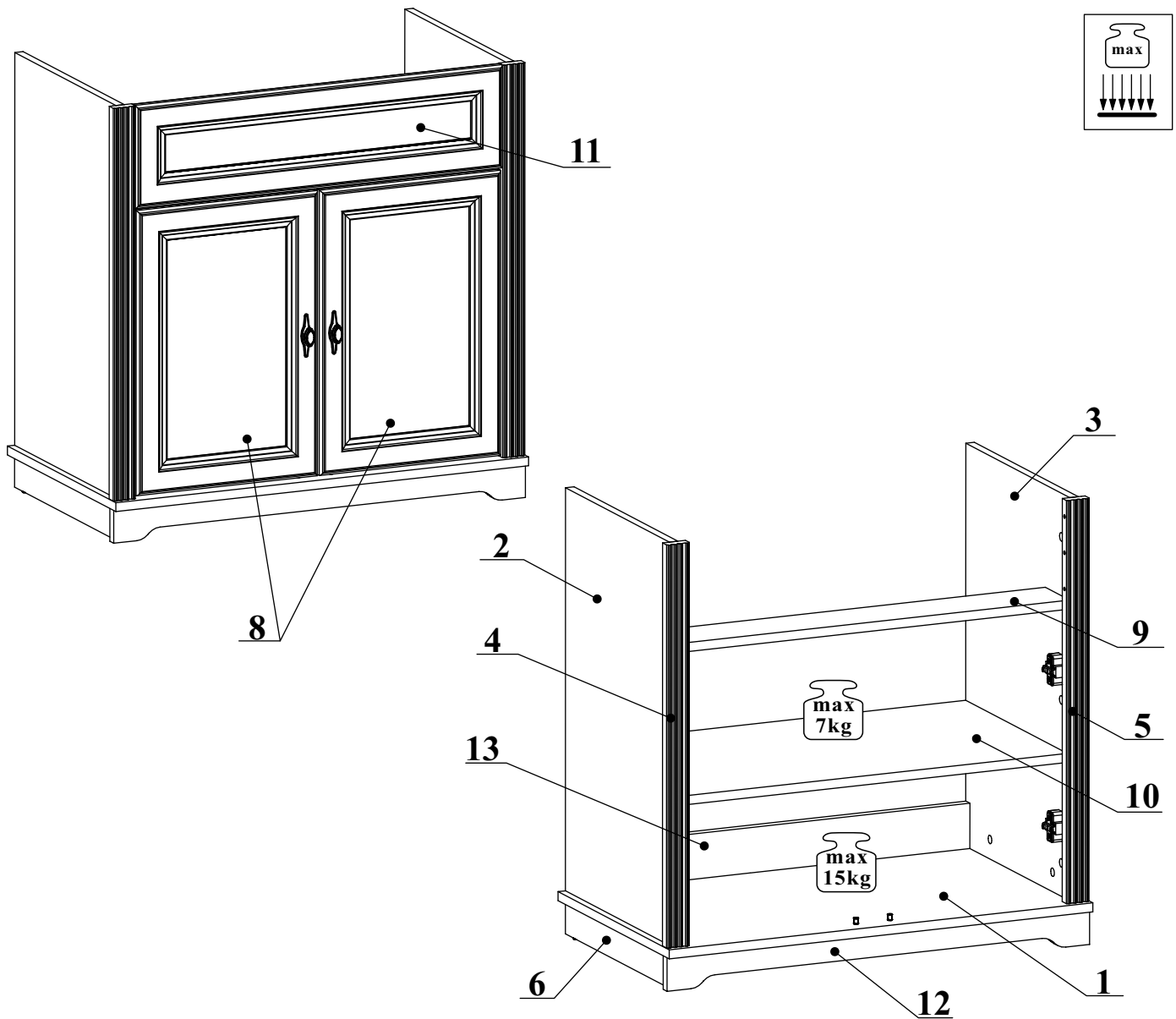
9



10



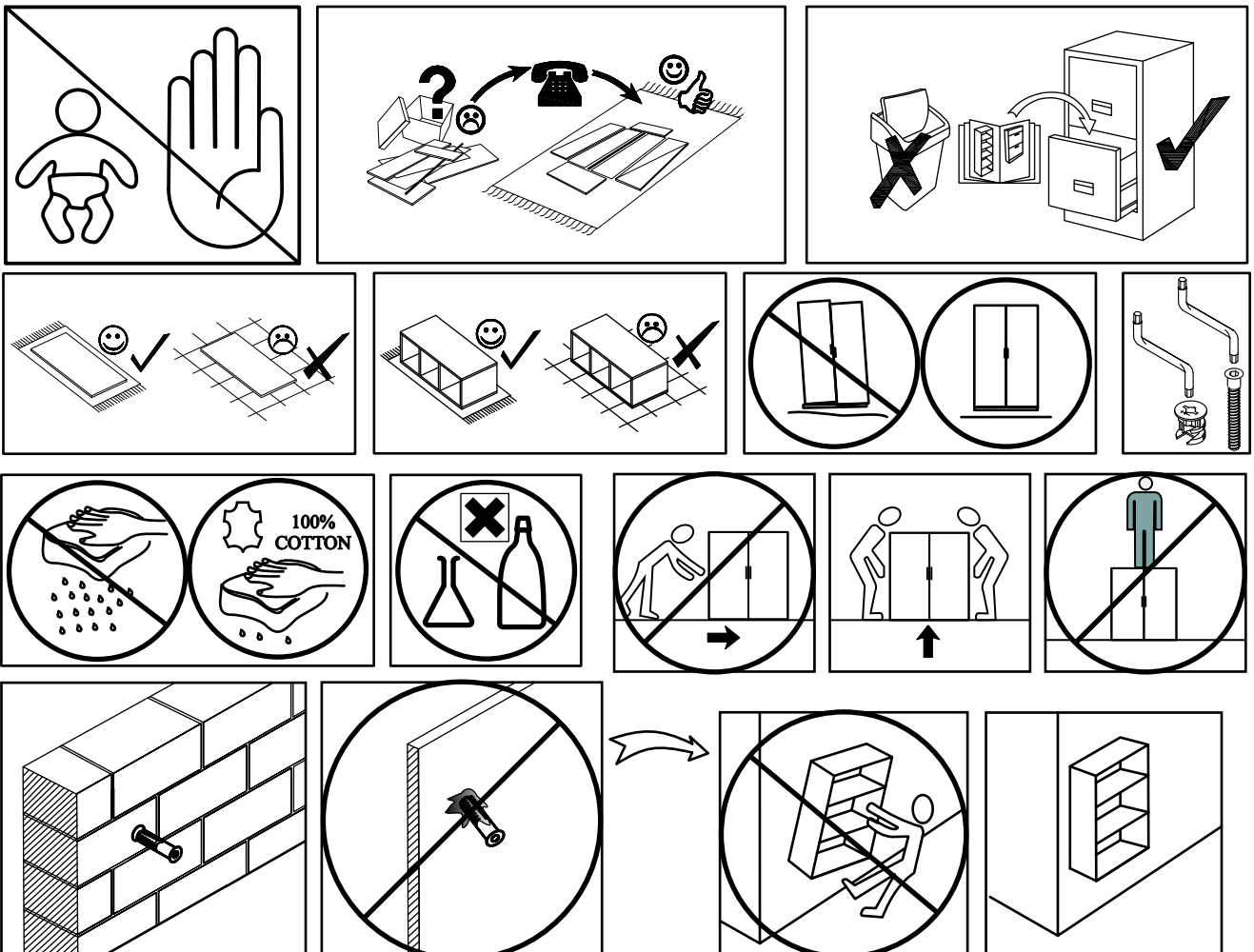
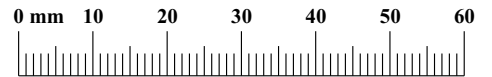
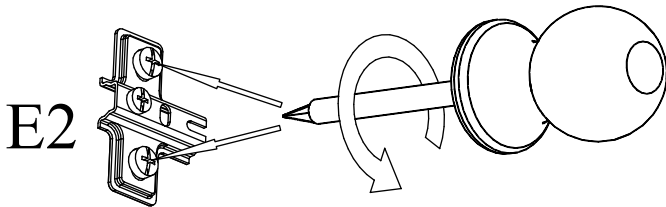
PALACE RIVIERA US 821



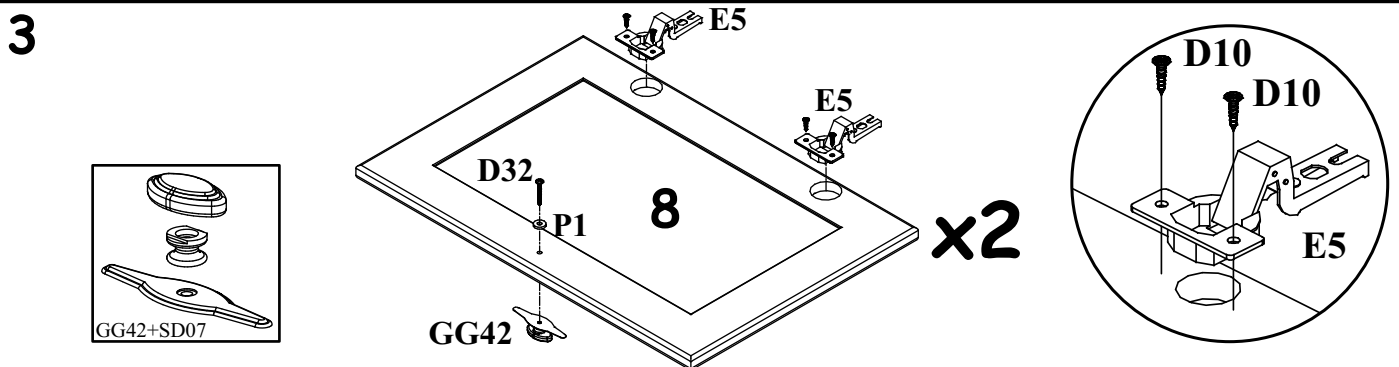
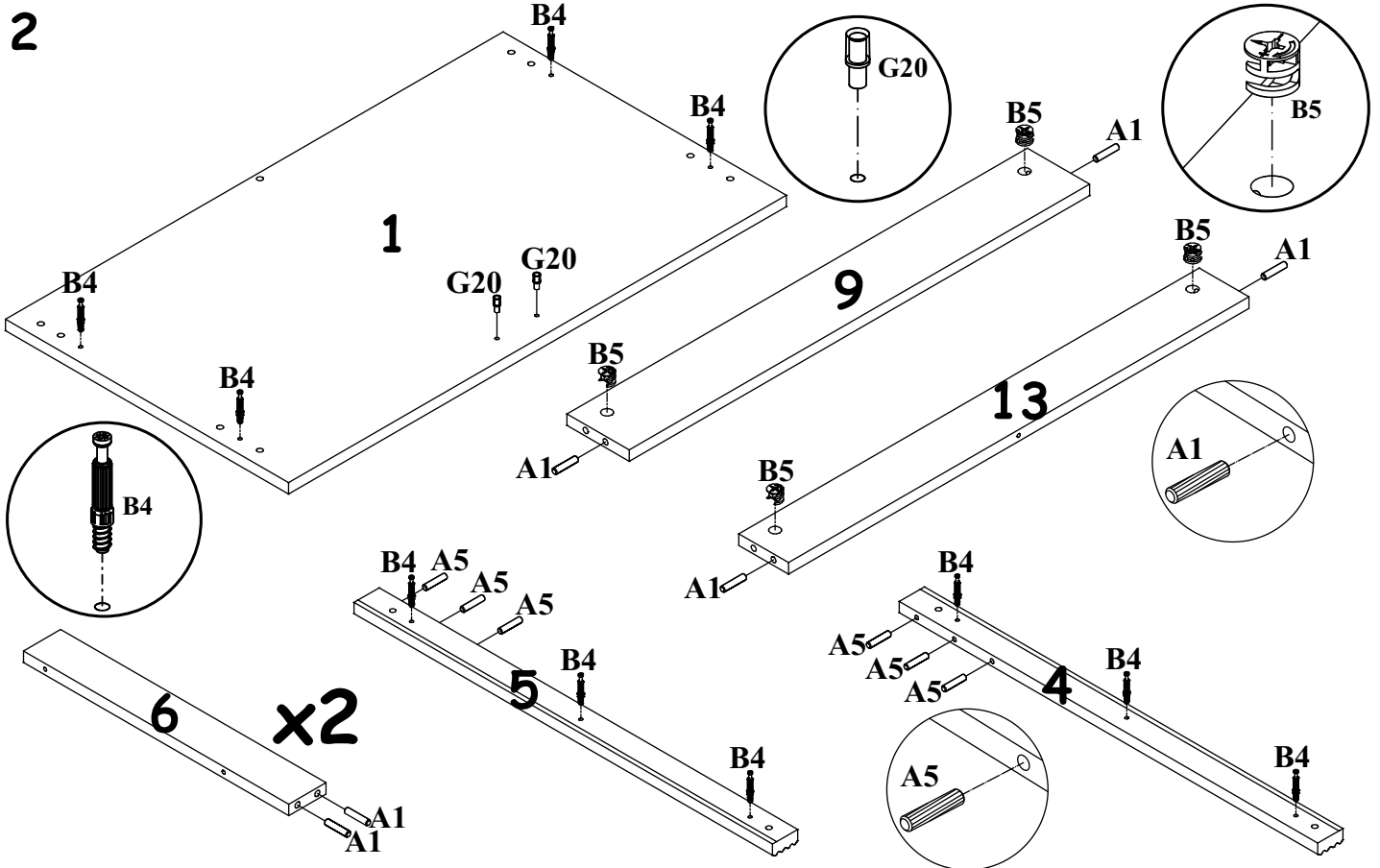
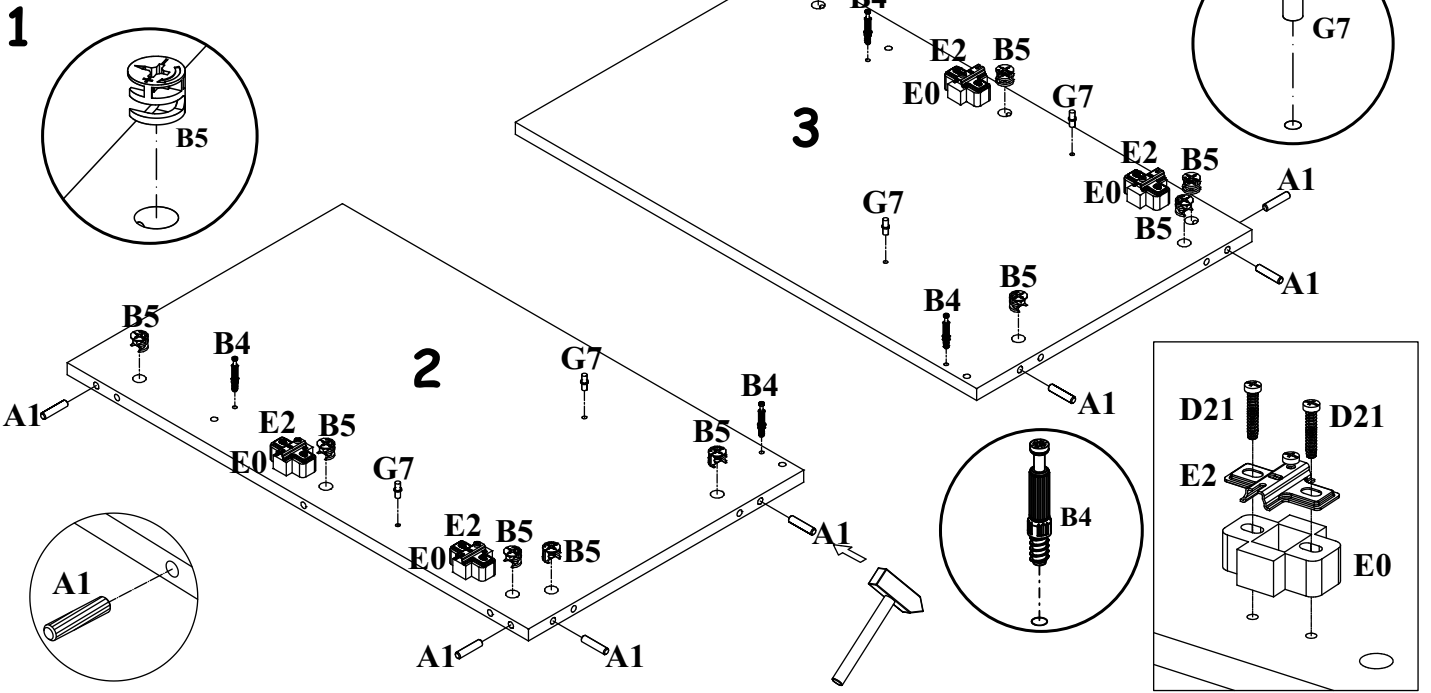
NO	Dim.		Col.-No	Qty
1	800	455	1	1
2	712	425	1	1
3	712	425	1	1
4	712	43	1	1
5	712	43	1	1
6	428	60	1	1
7	428	60	1	1
8	517	351	1	2
9	740	100	1	1
10	740	415	1	1
11	712	187	1	1
12	798	60	1	1
13	740	80	1	1

PALACE RIVIERA US 821

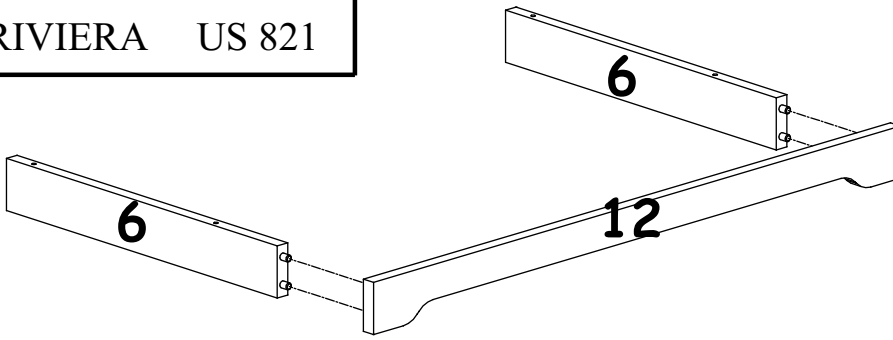
A1 X16 ø8x36	A5 X6 Ø6x50	B4 X14	B5 X14 ø15x12	G5 X14	G20 X2
E5 X4 H=16	E2 X4 H=0	E0 X4	D10 X14 USØ3,5x13	G7 X4	B11 X5 Ø7x50
GG42 X2 GG42+SD07	D32 X2 M4x43	I2 X4	D21 X8 EWØ6,3x30	KM1 X3	G2 X1
					P1 X2 Ø14x2.6



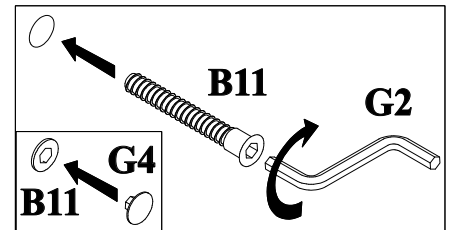
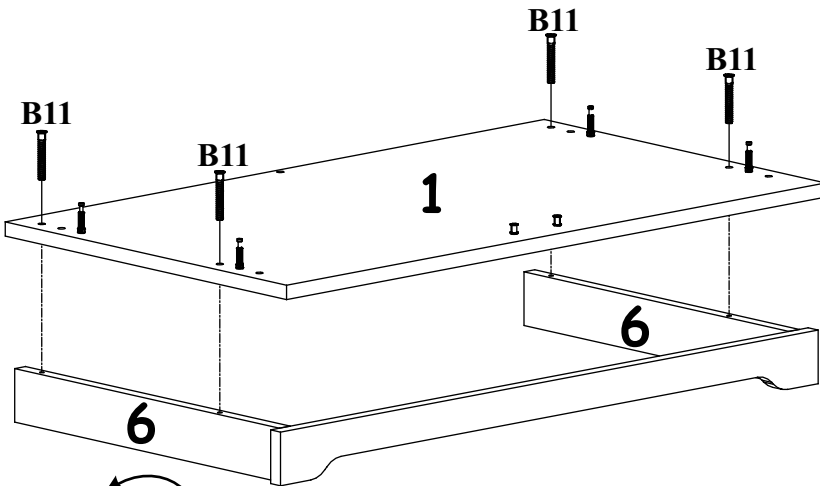
PALACE RIVIERA US 821



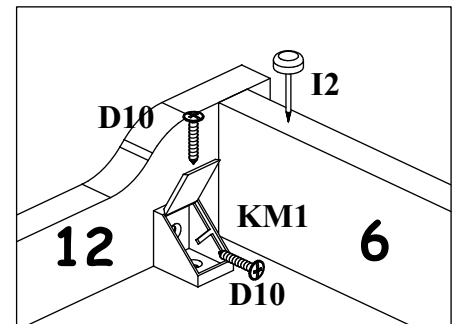
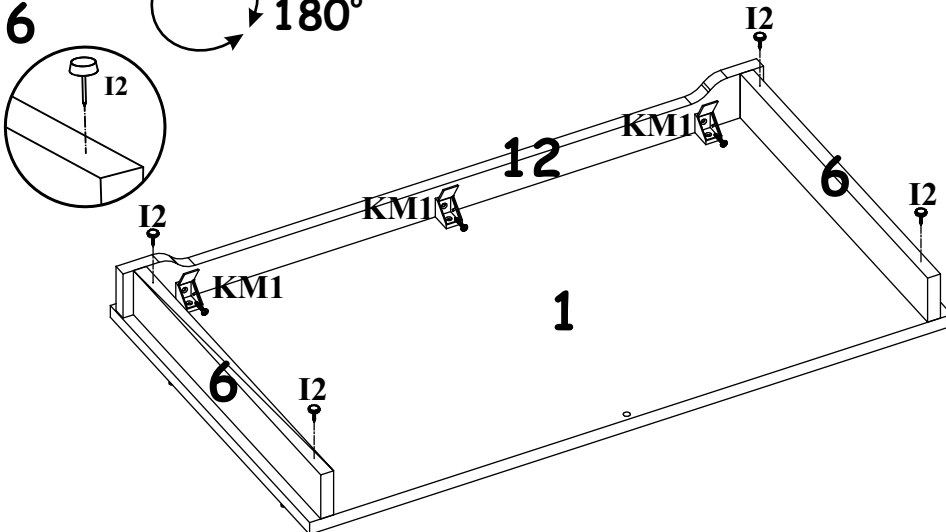
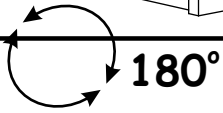
4



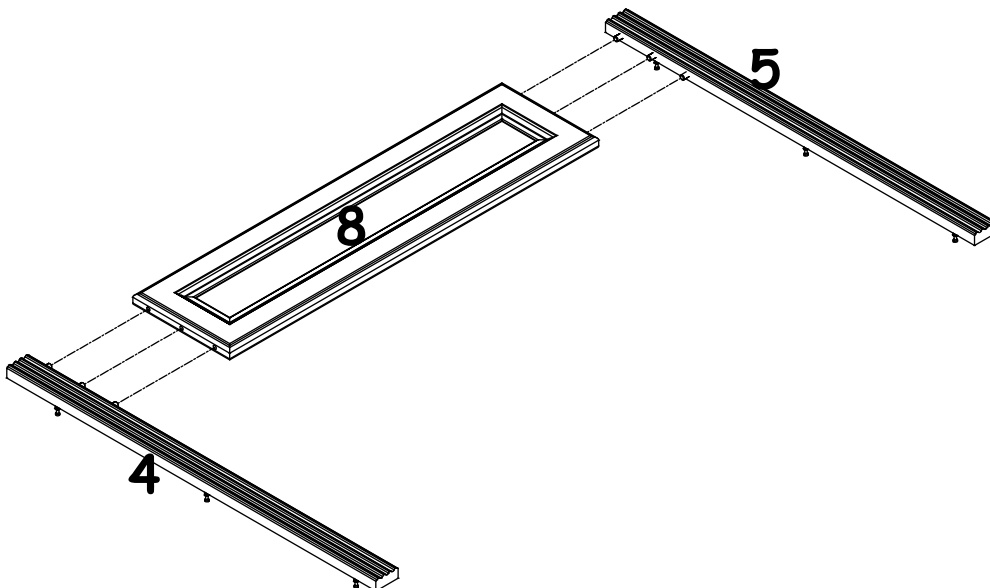
5



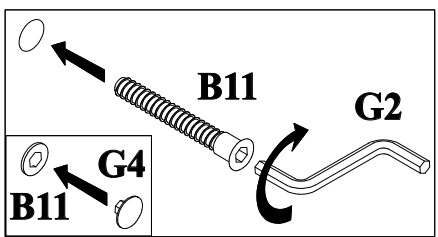
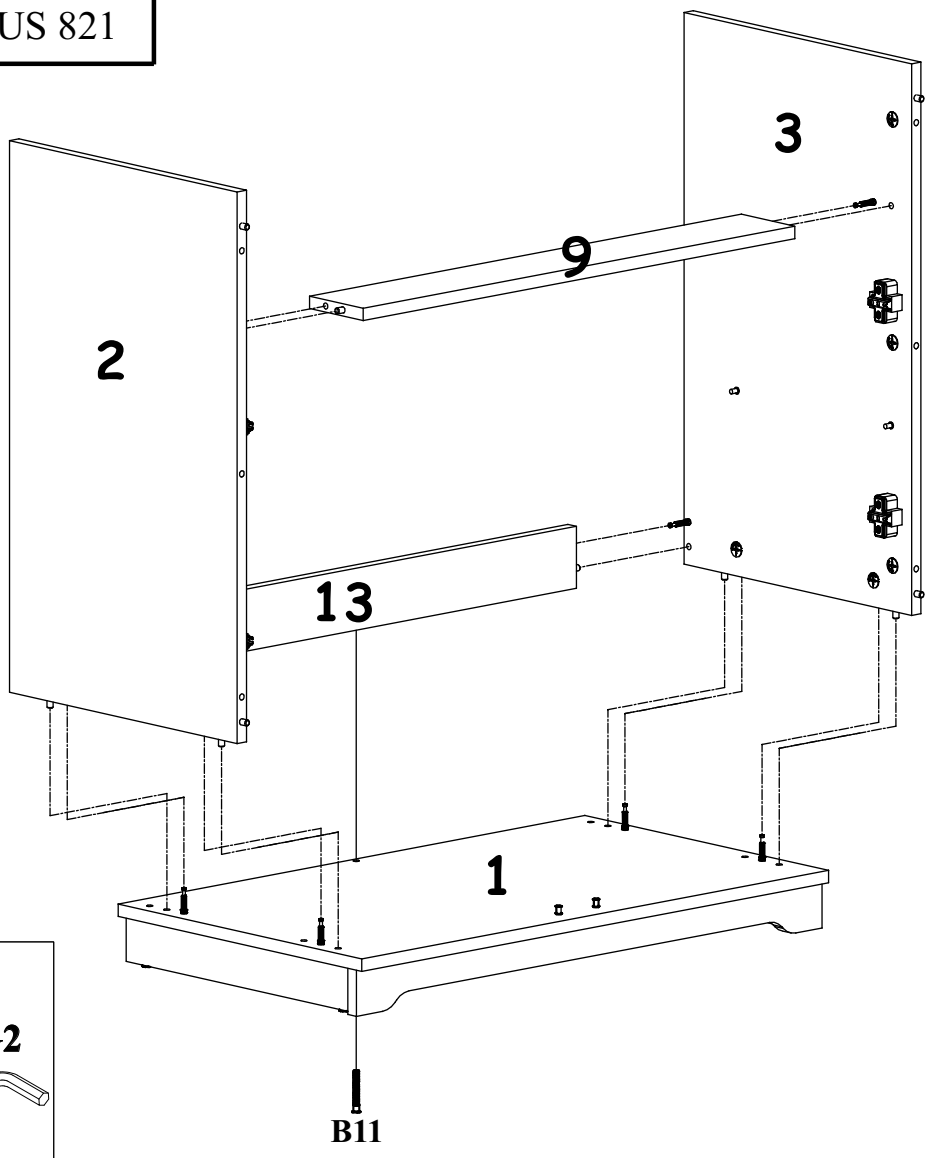
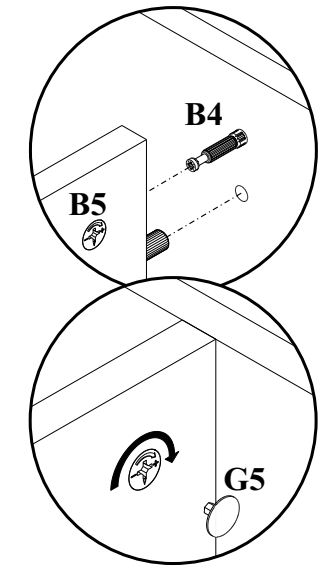
6



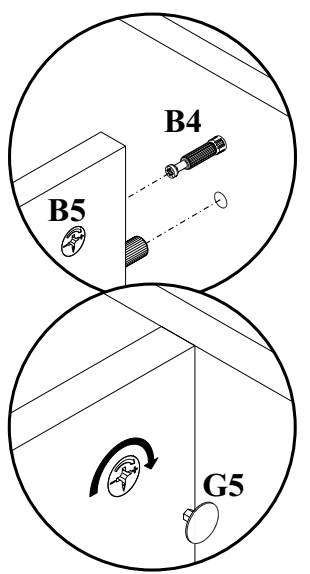
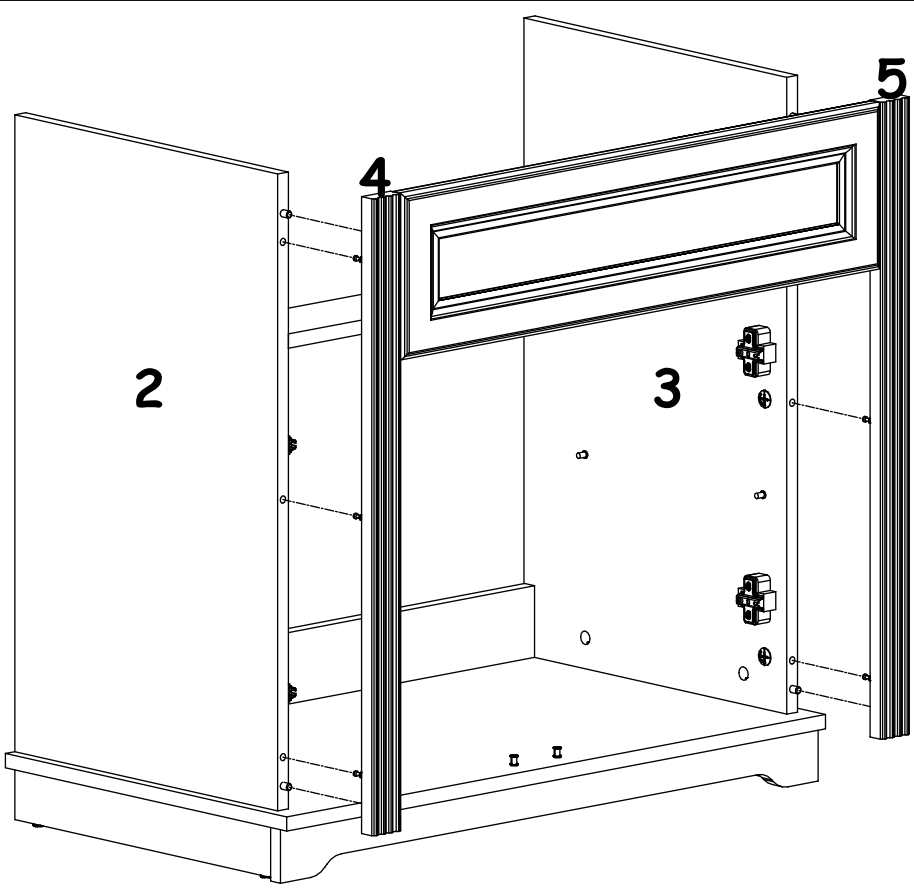
7



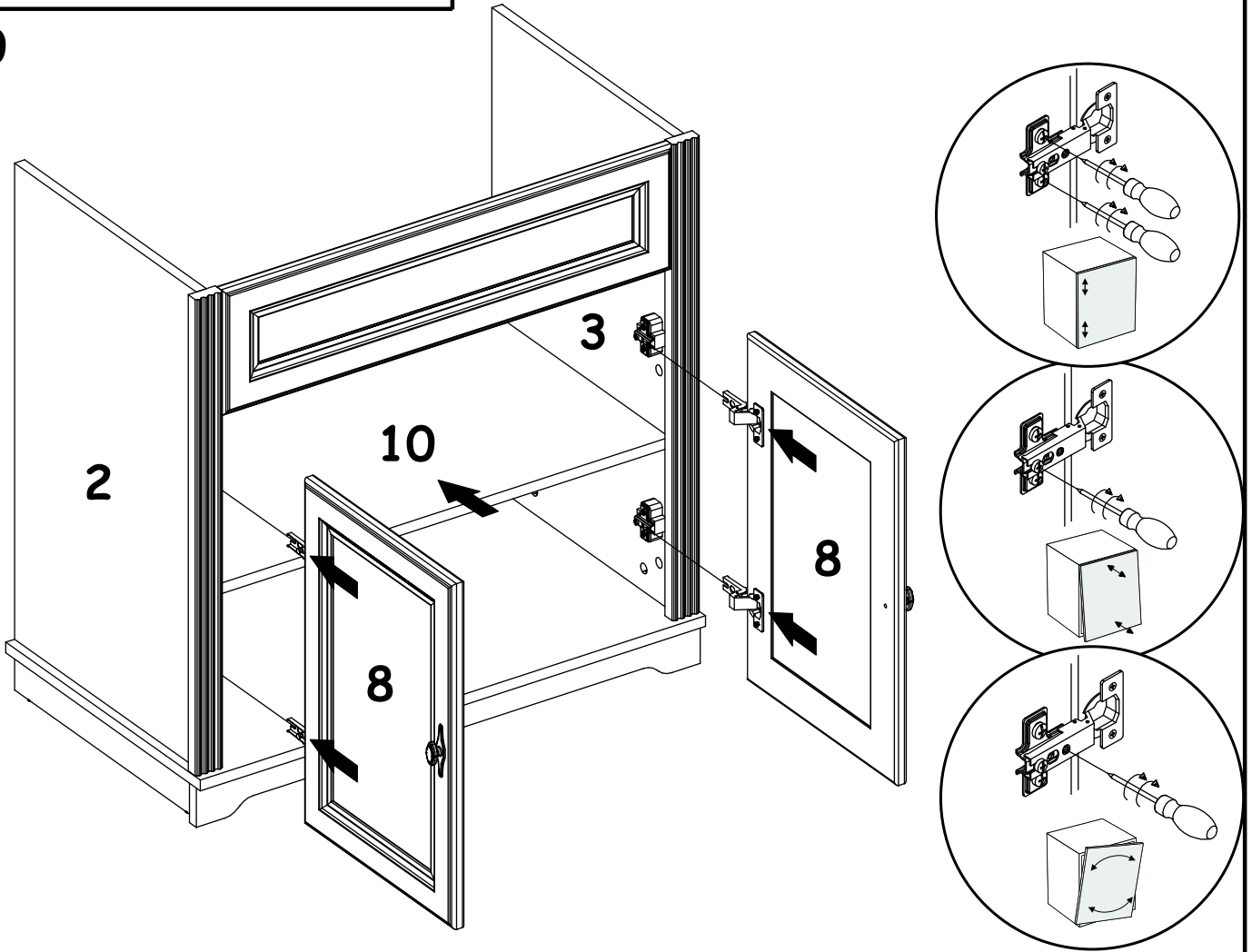
8



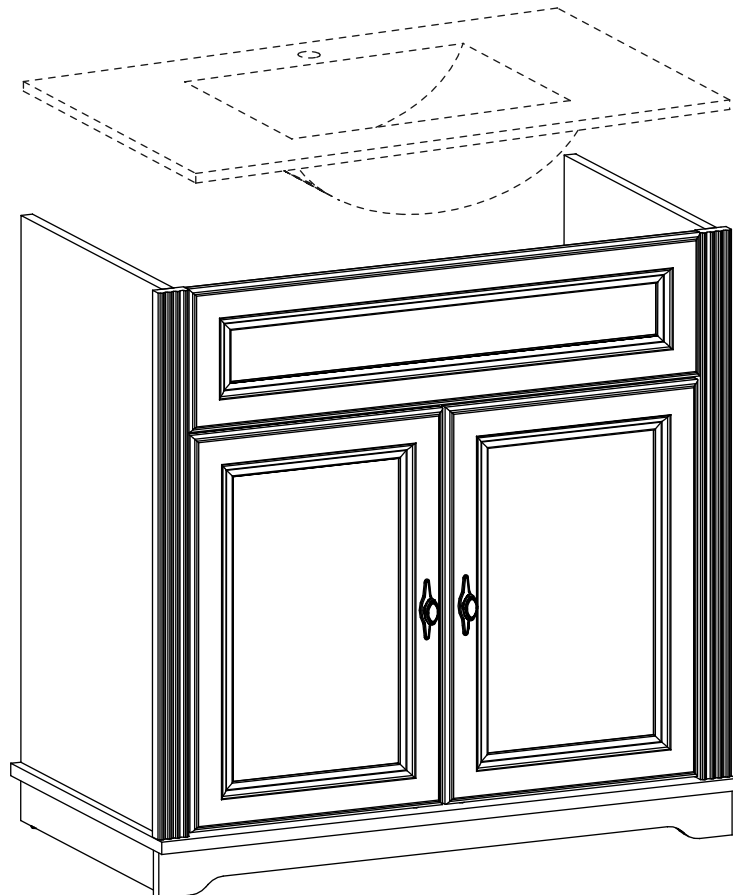
9



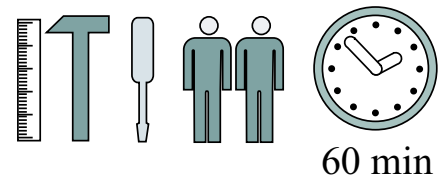
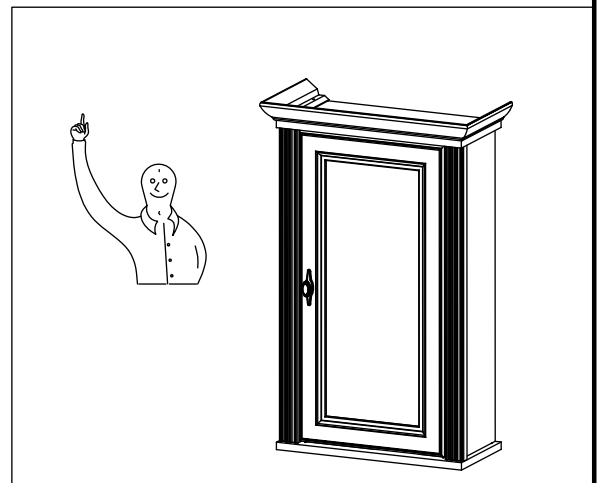
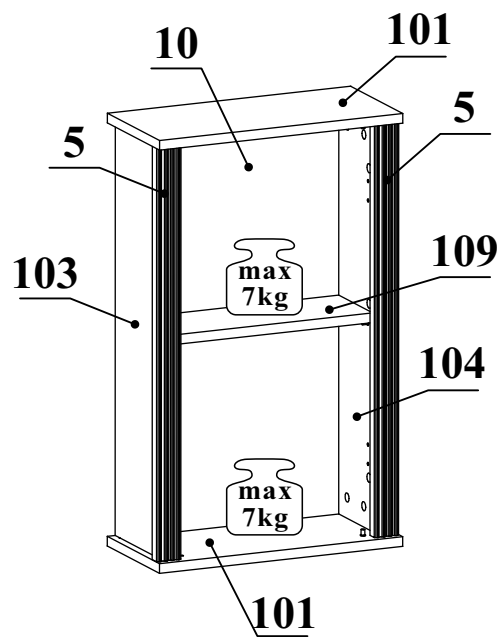
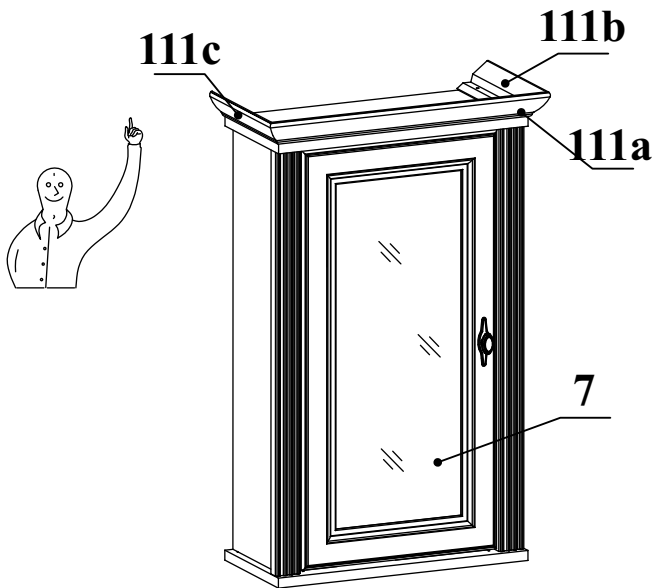
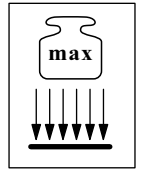
10



(11)



PALACE RIVIERA SH 830

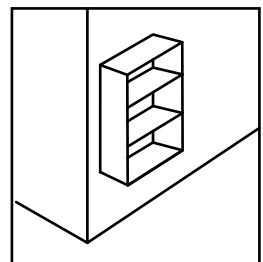
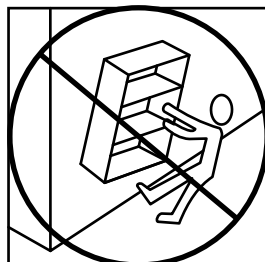
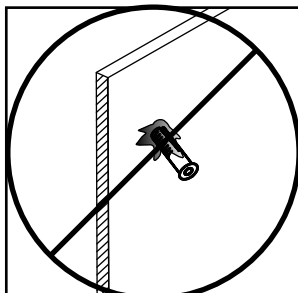
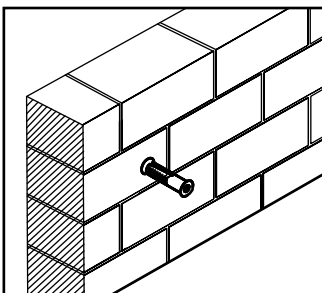
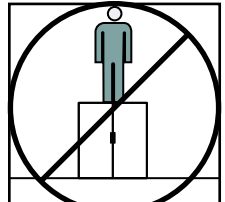
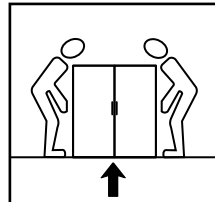
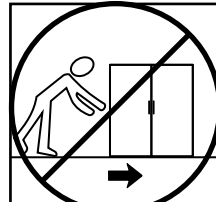
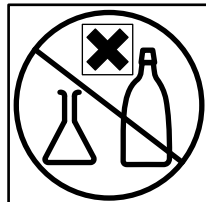
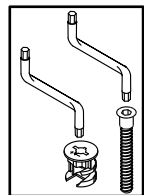
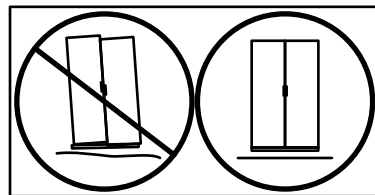
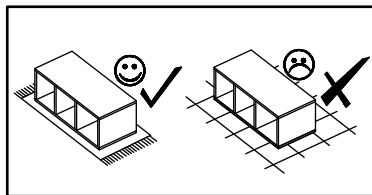
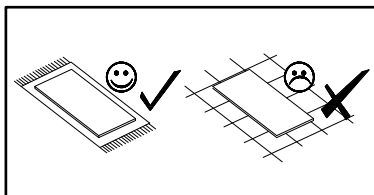
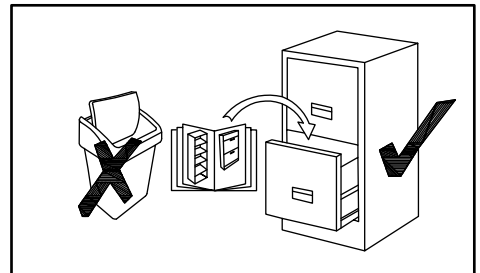
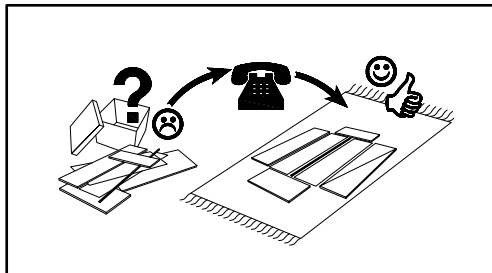
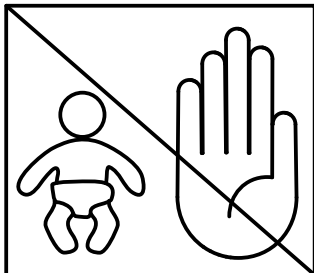
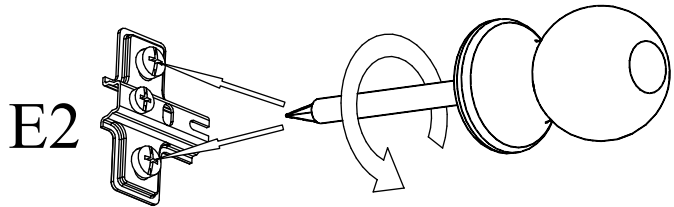
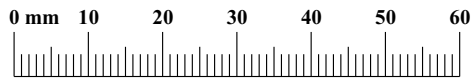


60 min

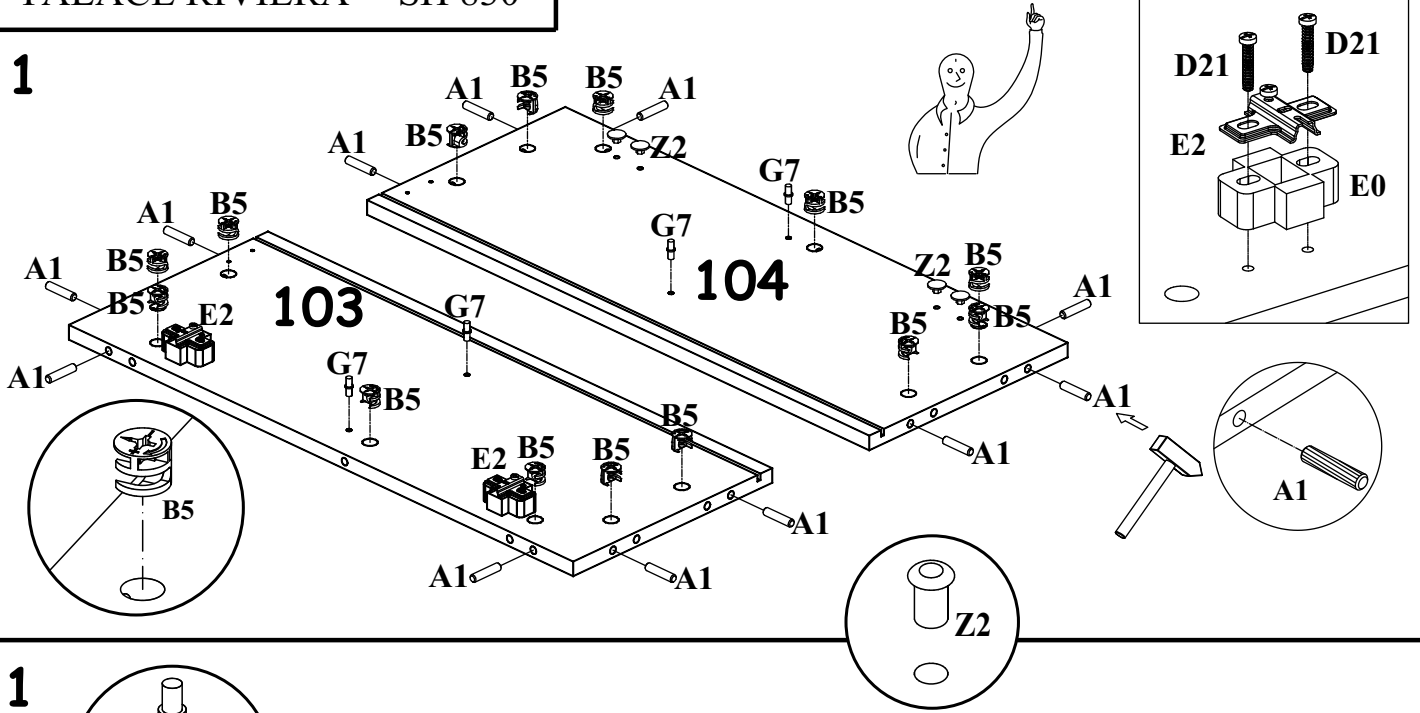
NO	Dim.		Col.-No	Qty
101	430	300	1	2
103	684	270	1	1
104	684	270	1	1
5	684	43	1	2
7	676	336	1	1
109	370	230	1	1
10	695	381	1	1
111a	483	55	1	1
111b	326	55	1	1
111c	326	55	1	1

PALACE RIVIERA SH 830

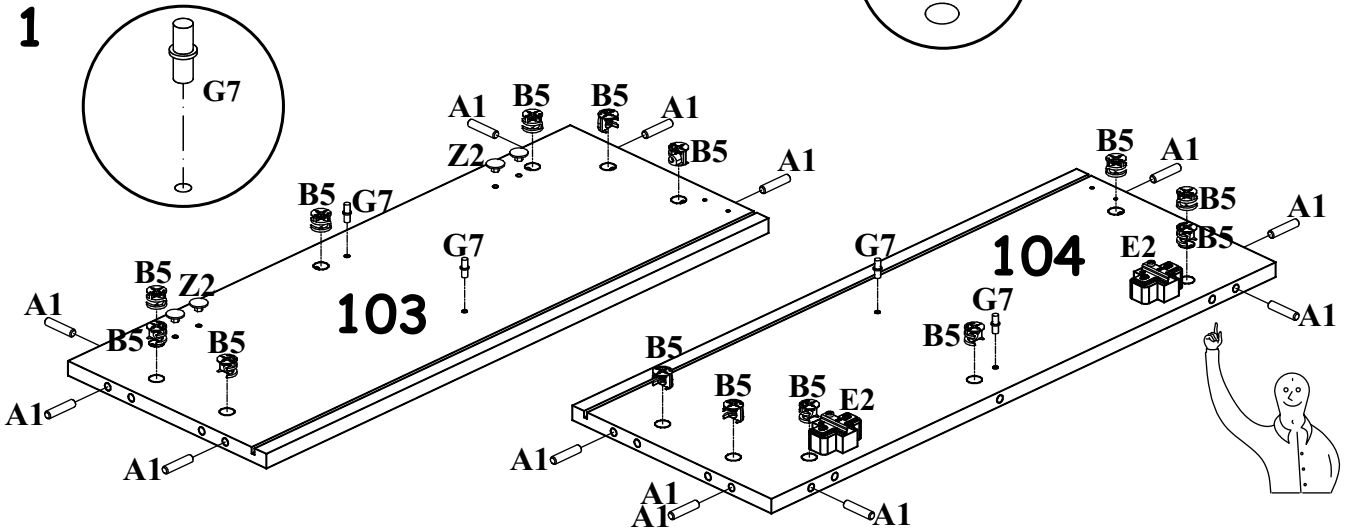
A1 X12 ø8x36	B4 X14	B5 X14 ø15x12	G5 X14	G20 X2	G2 X1
E5 X2 H=16	E2 X2 H=0	S1 X6	D10 X4 USØ3,5x13	G7 X4	D9 X6 USØ3x20
ZR1 X2	D6 X4 USØ3,5x30	GG42 X1 GG42+SD07	D32 X1 M4x43	E0 X2	D21 X4 EWØ6,3x30
Z2 X6 ø5	P1 X1 Ø14x2.6				



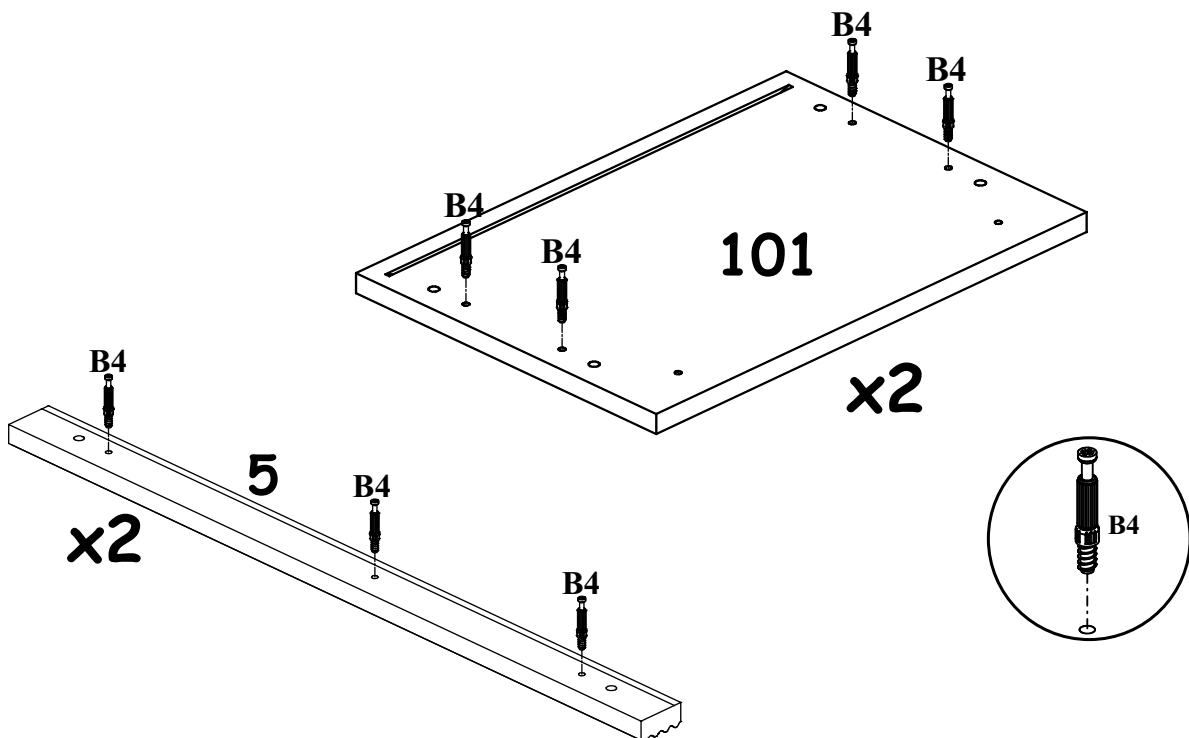
1



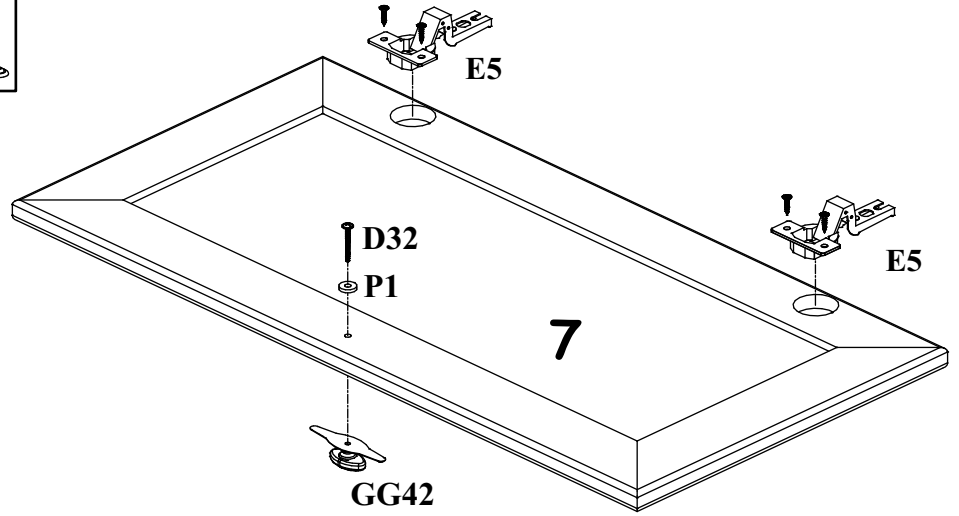
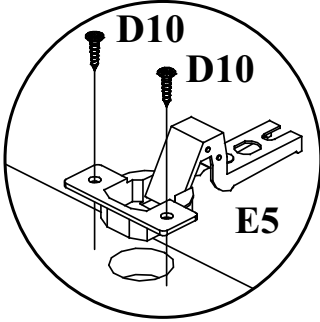
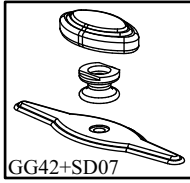
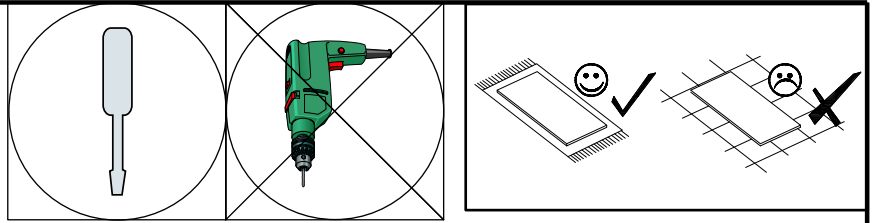
1



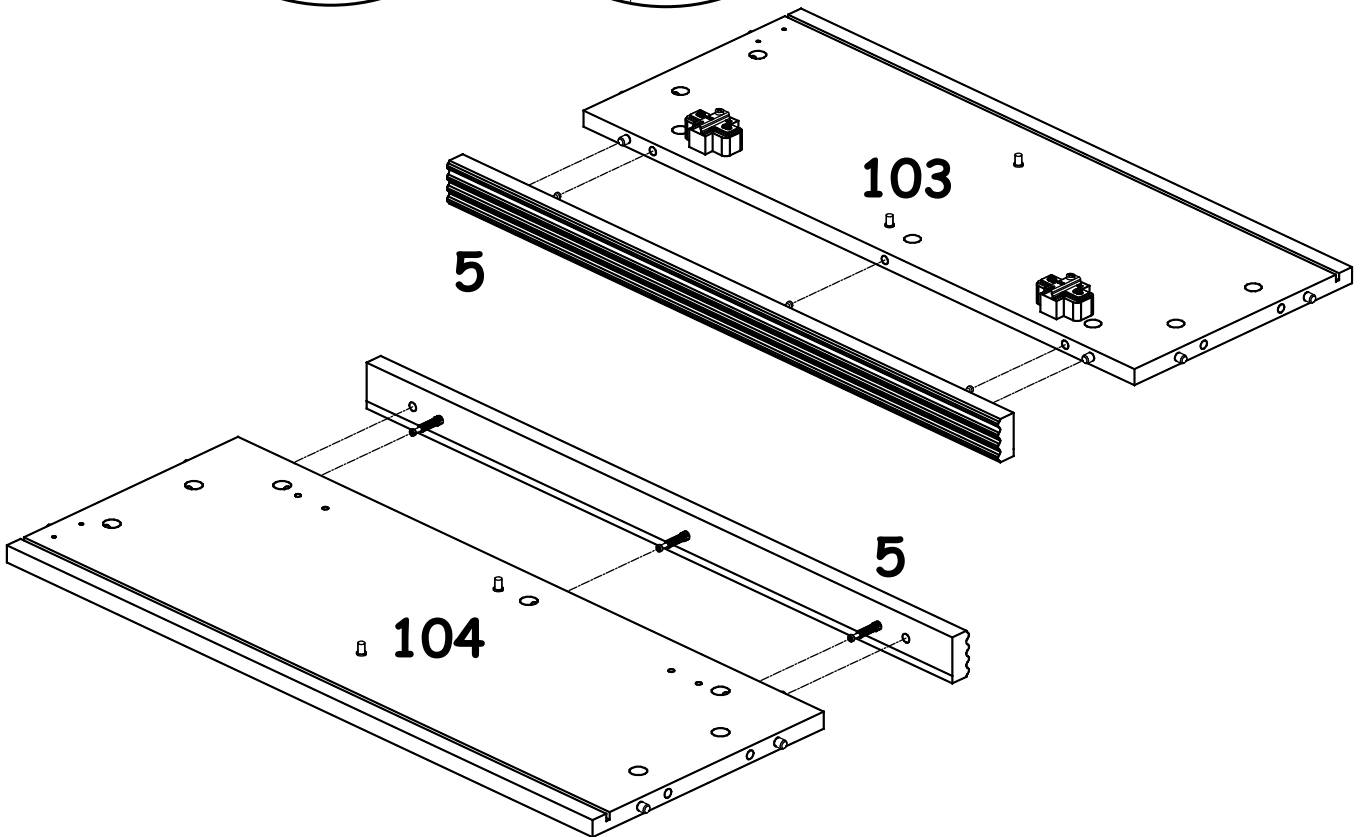
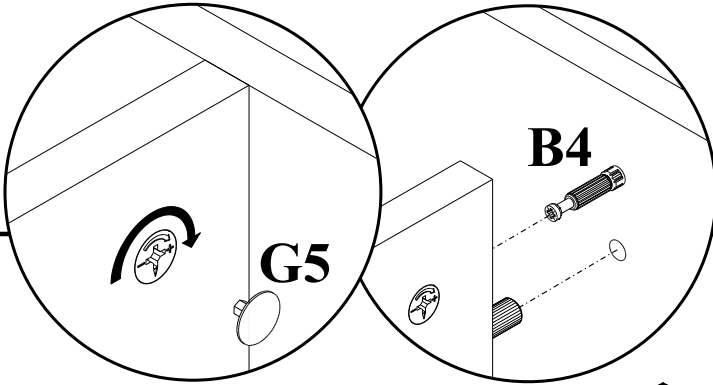
2



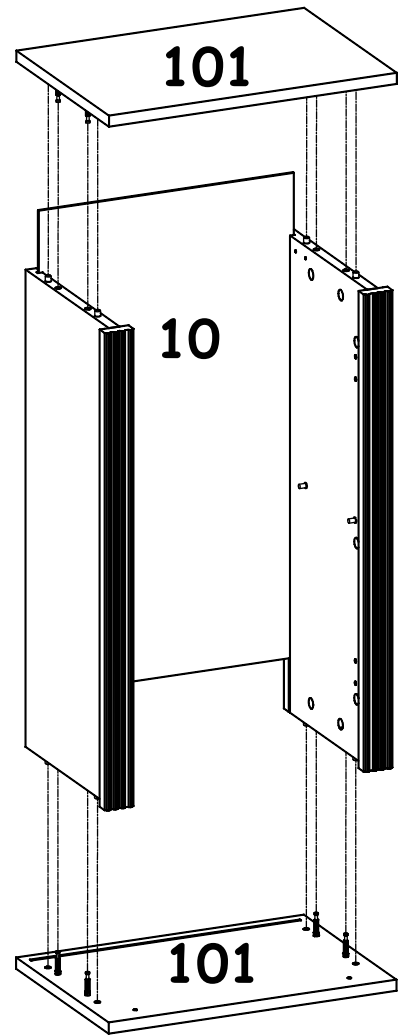
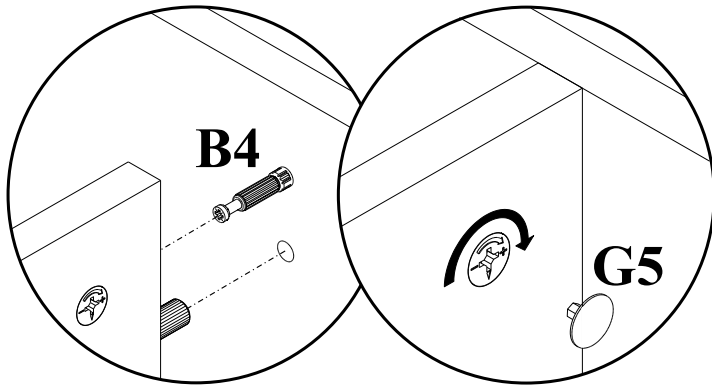
3



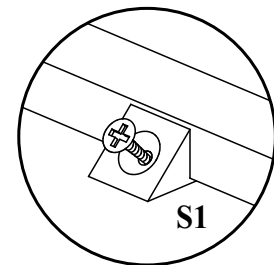
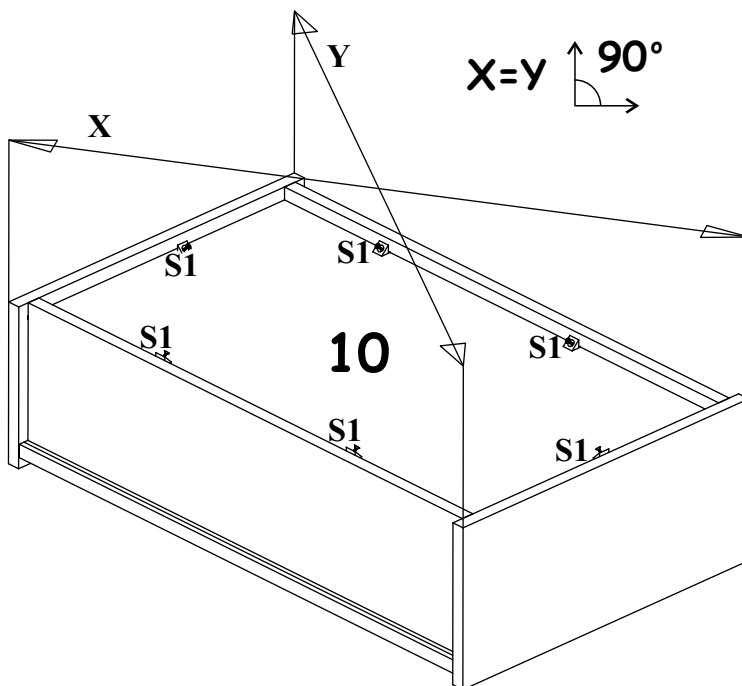
4



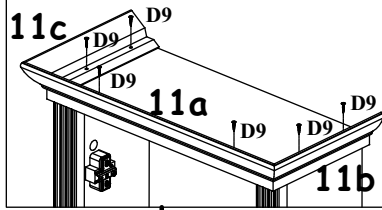
5



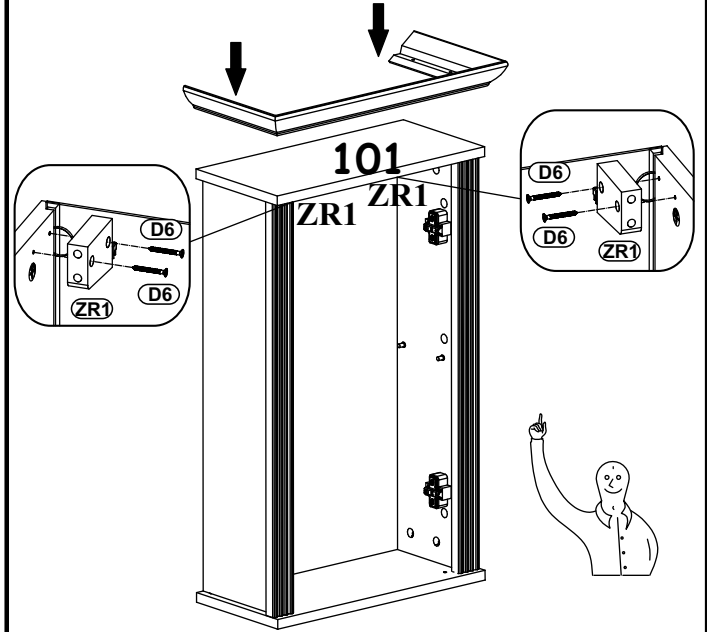
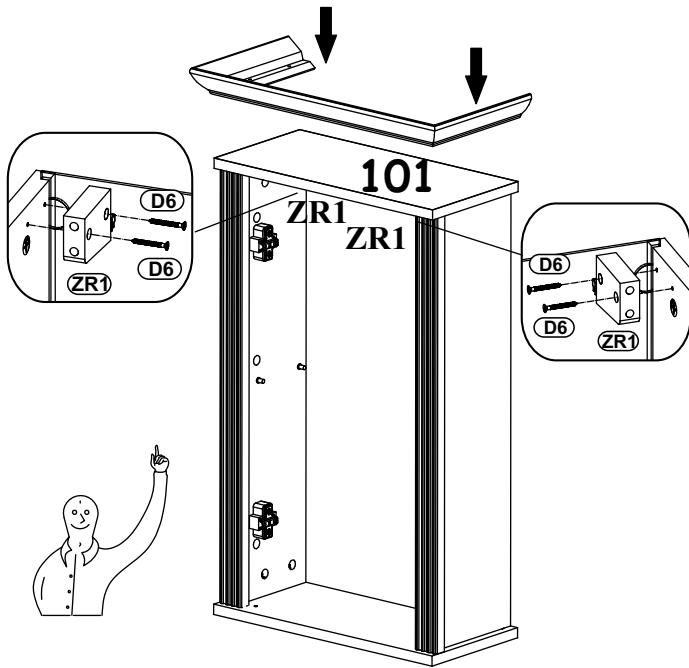
6



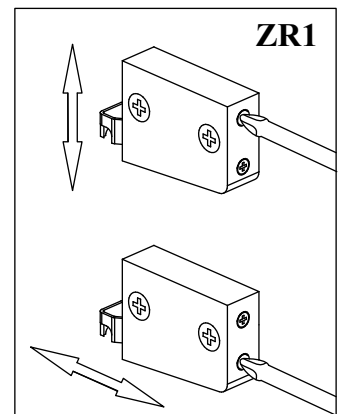
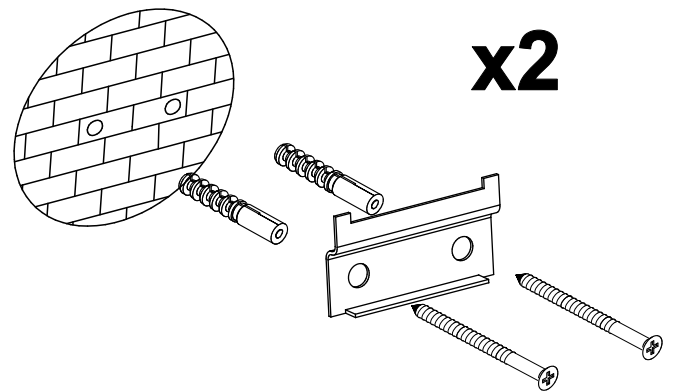
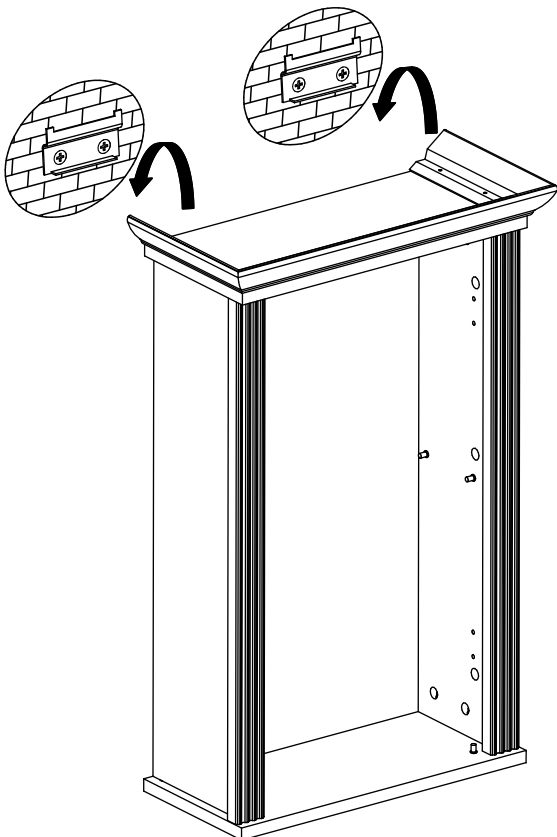
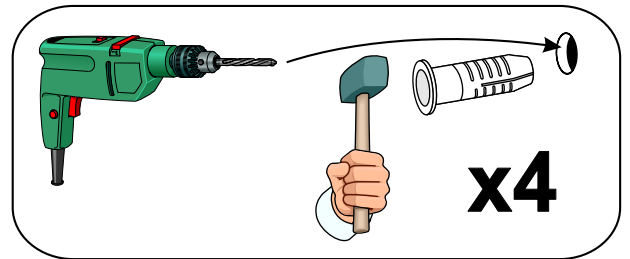
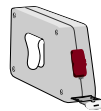
7



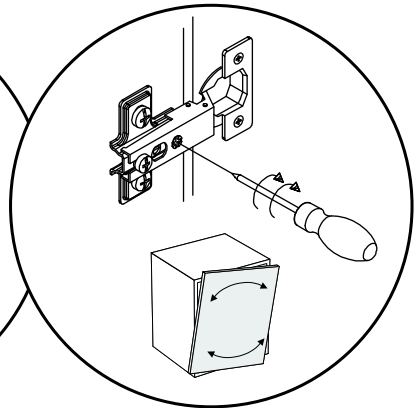
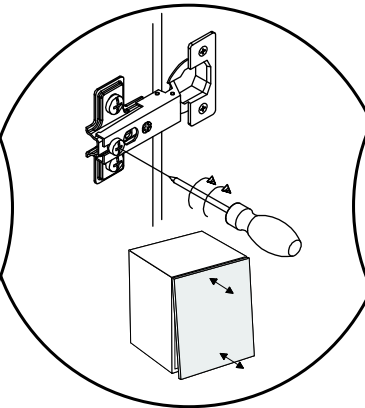
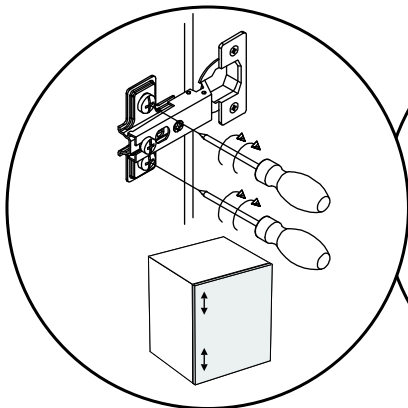
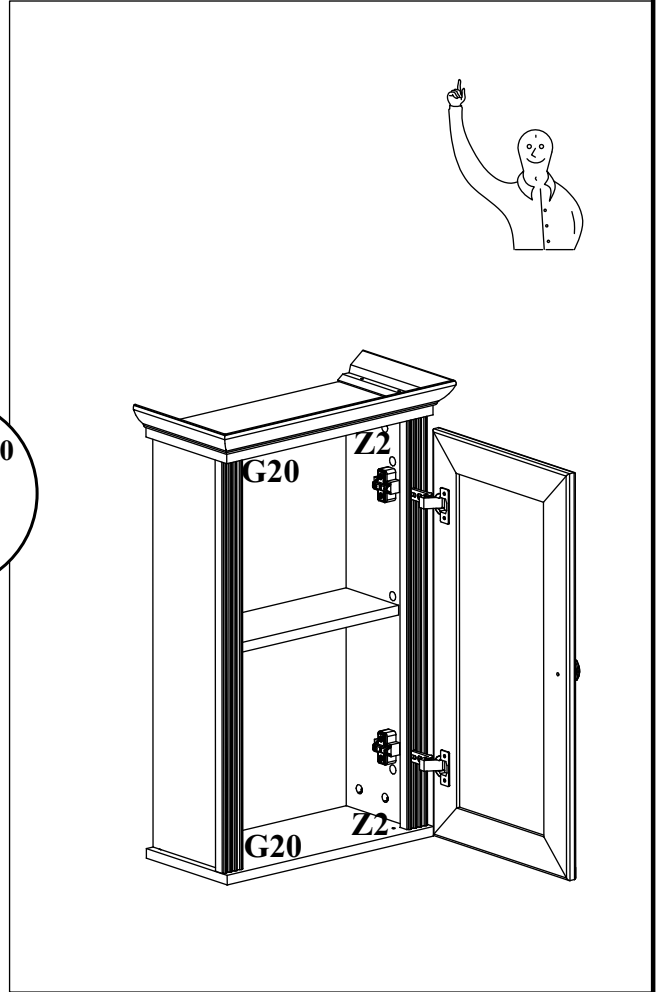
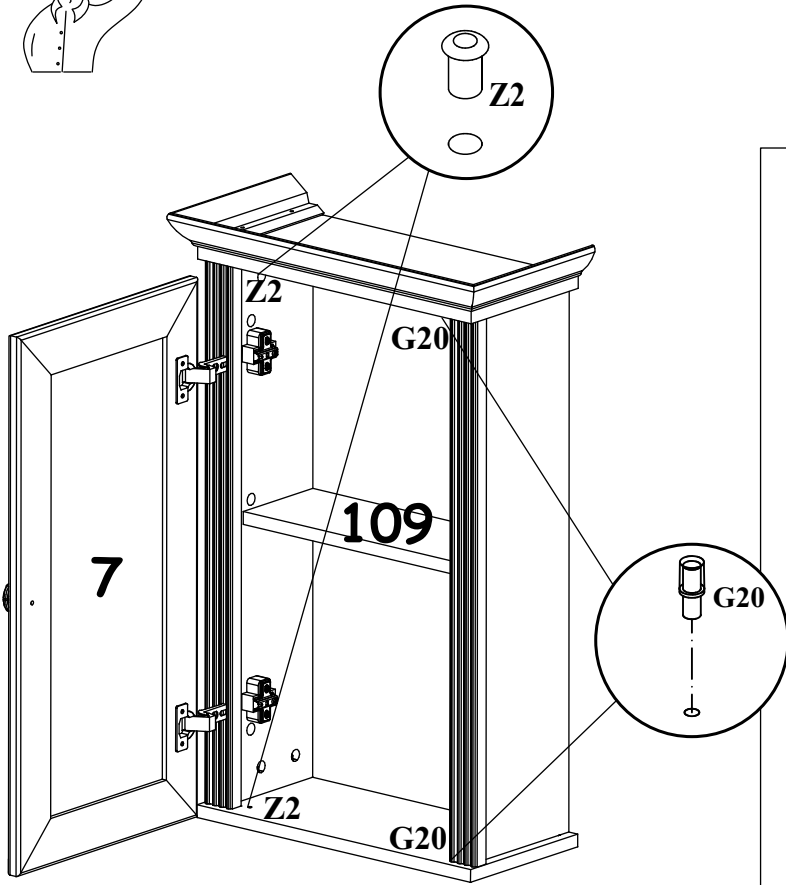
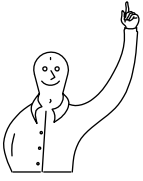
7



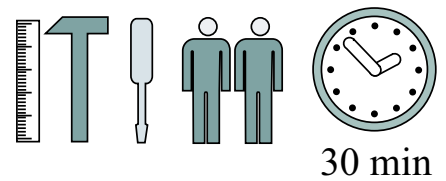
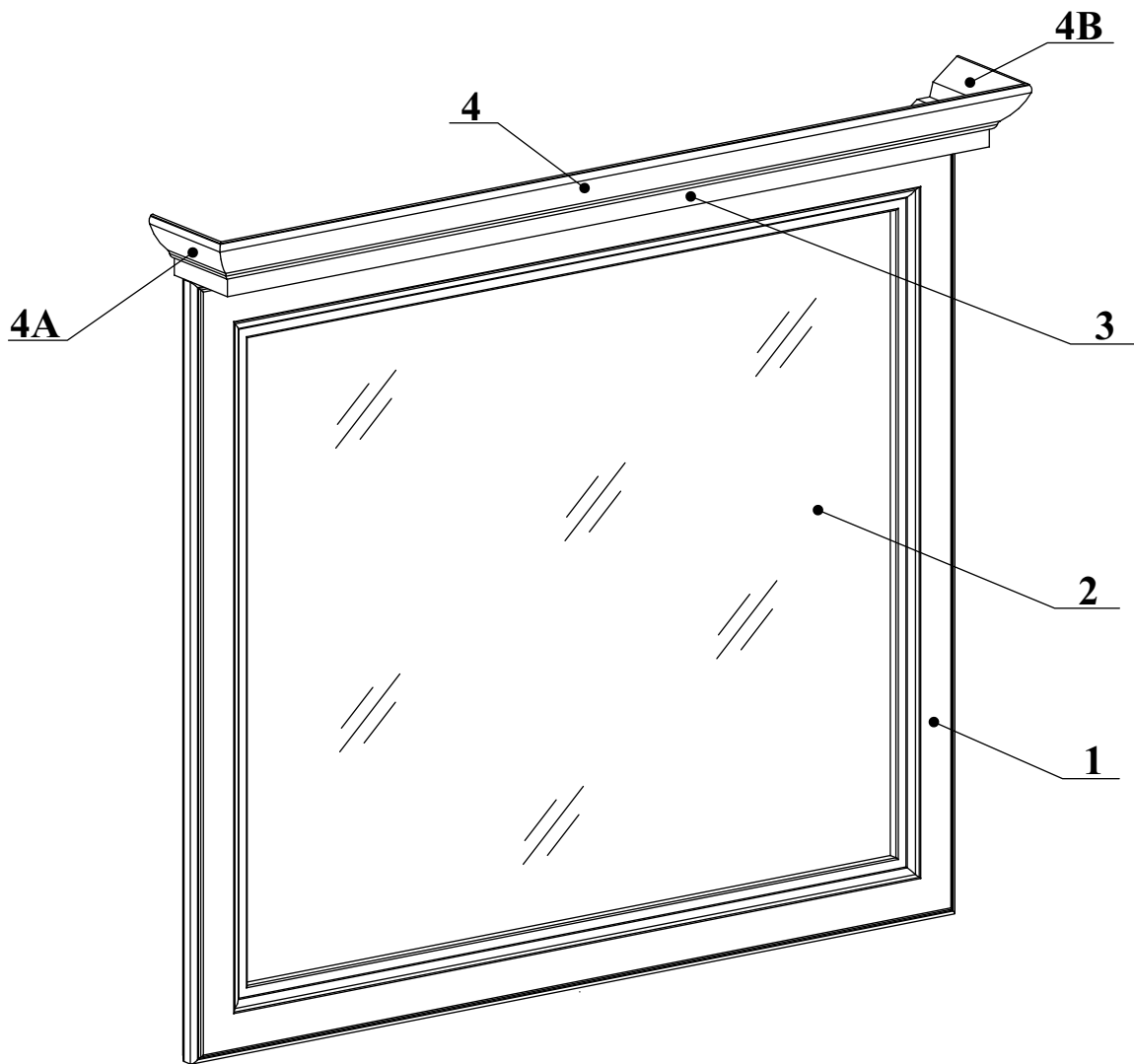
8



9



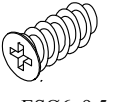
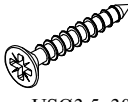
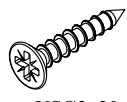



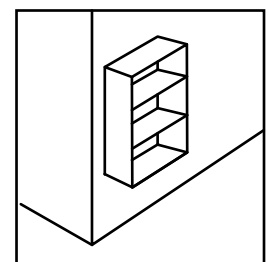
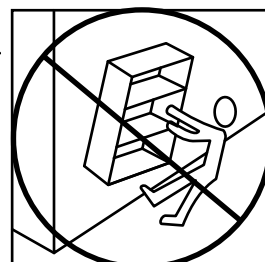
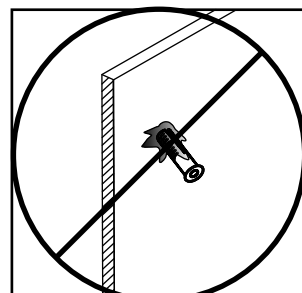
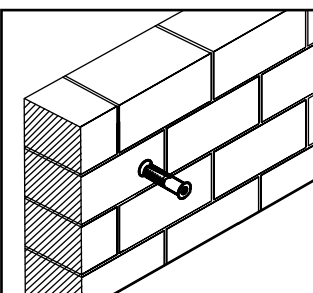
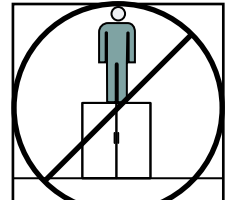
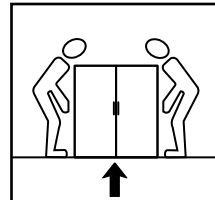
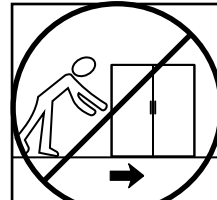
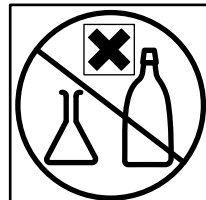
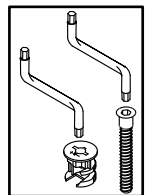
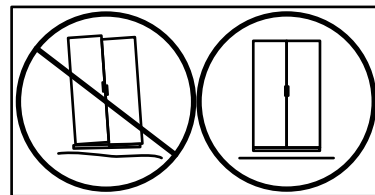
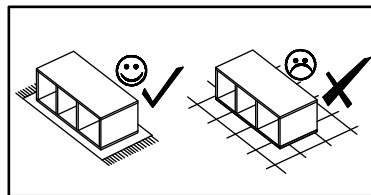
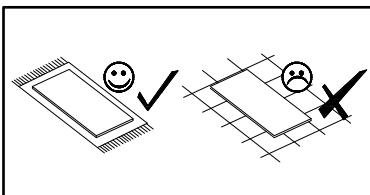
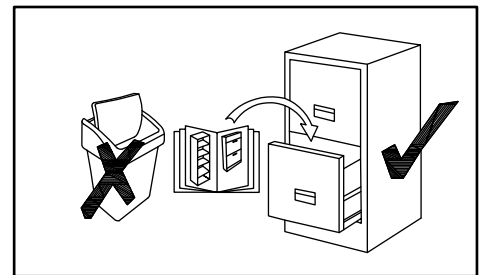
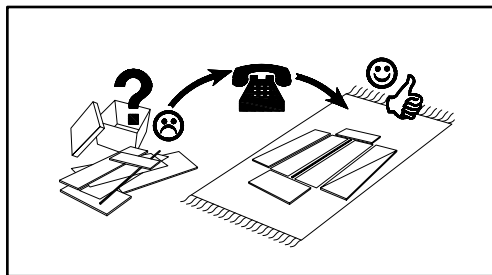
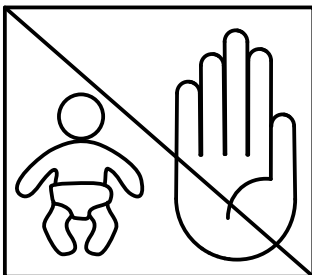
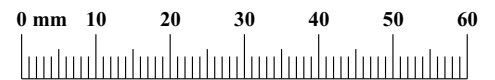
PALACE RIVIERA SL 841



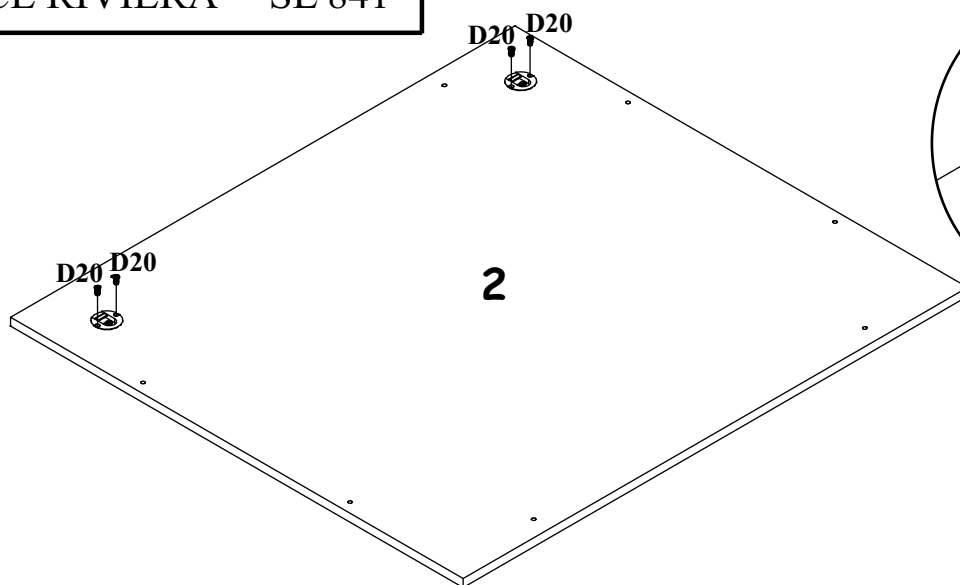
NO	Dim.		Col.-No	Qty
1	800	700	1	1
2	700	780	1	1
3	798	80	1	1
4	851	67	1	1
4A	106	67	1	1
4B	106	67	1	1

PALACE RIVIERA SL 841

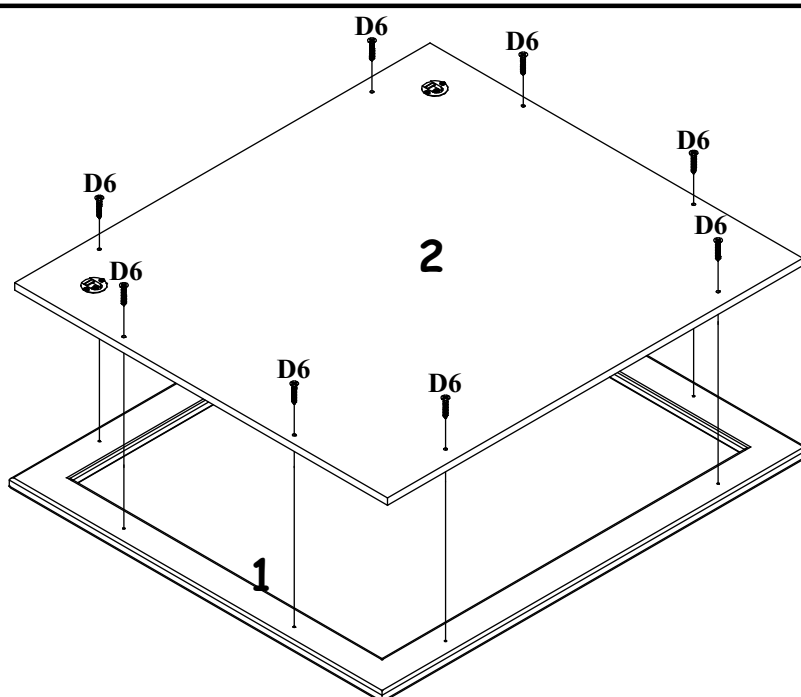
B11 X3	 Ø7x50	G4 X3		D20 X4	 ESØ6x9,5	D6 X8	 USØ3,5x30	D9 X6	 USØ3x20	G2 X1	
-----------	--	----------	---	-----------	---	----------	---	----------	--	----------	---



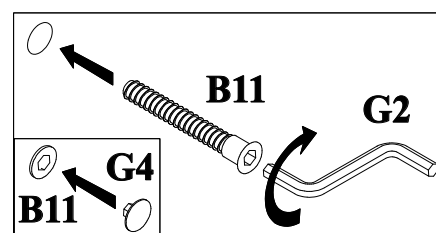
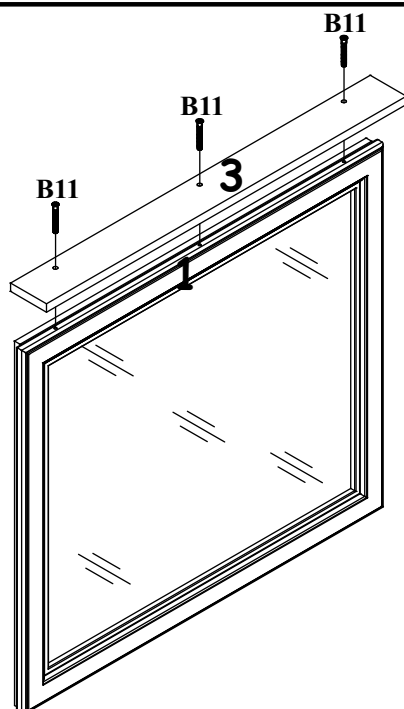
1



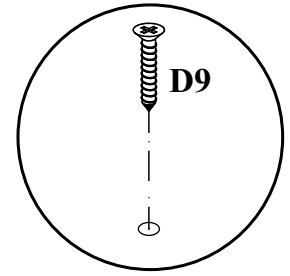
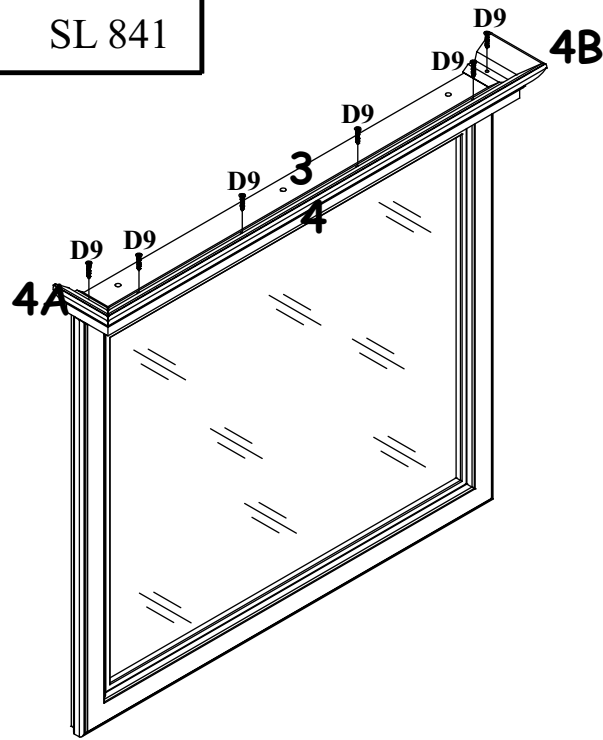
2



3



4



5

