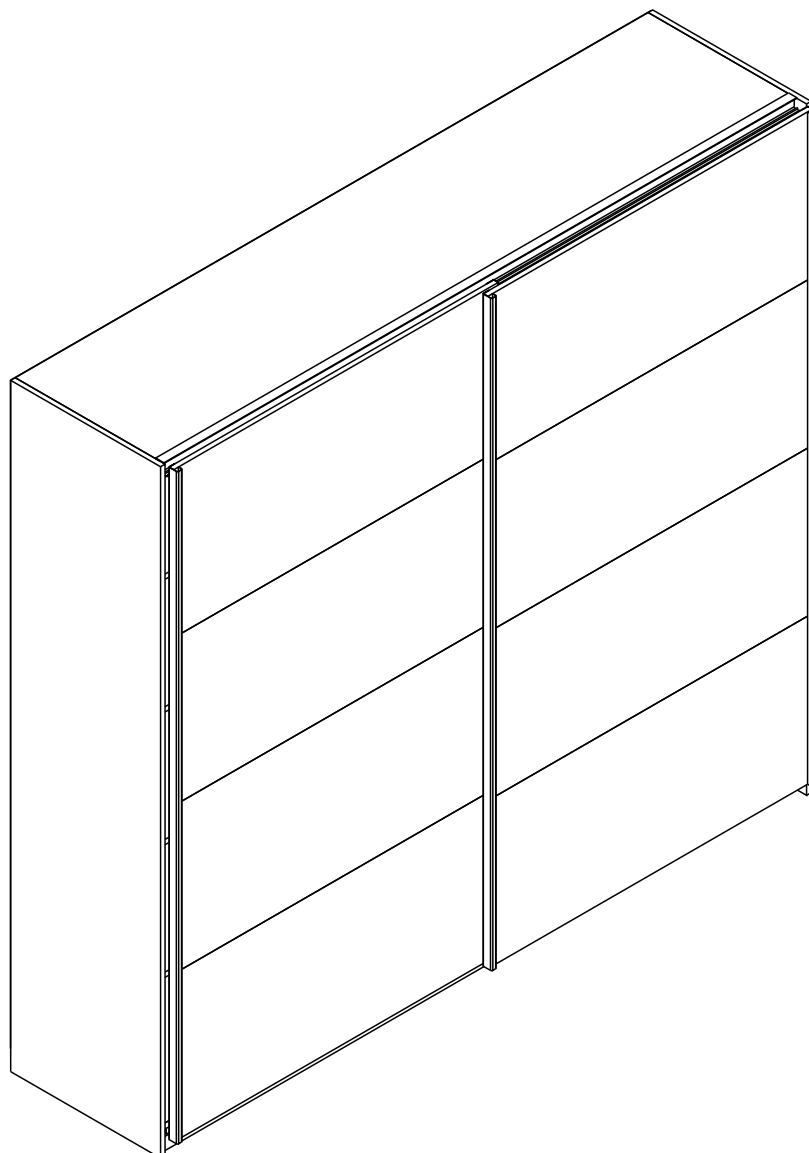
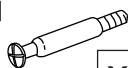



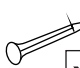



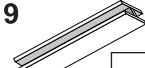











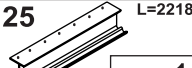


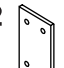





TWISTER

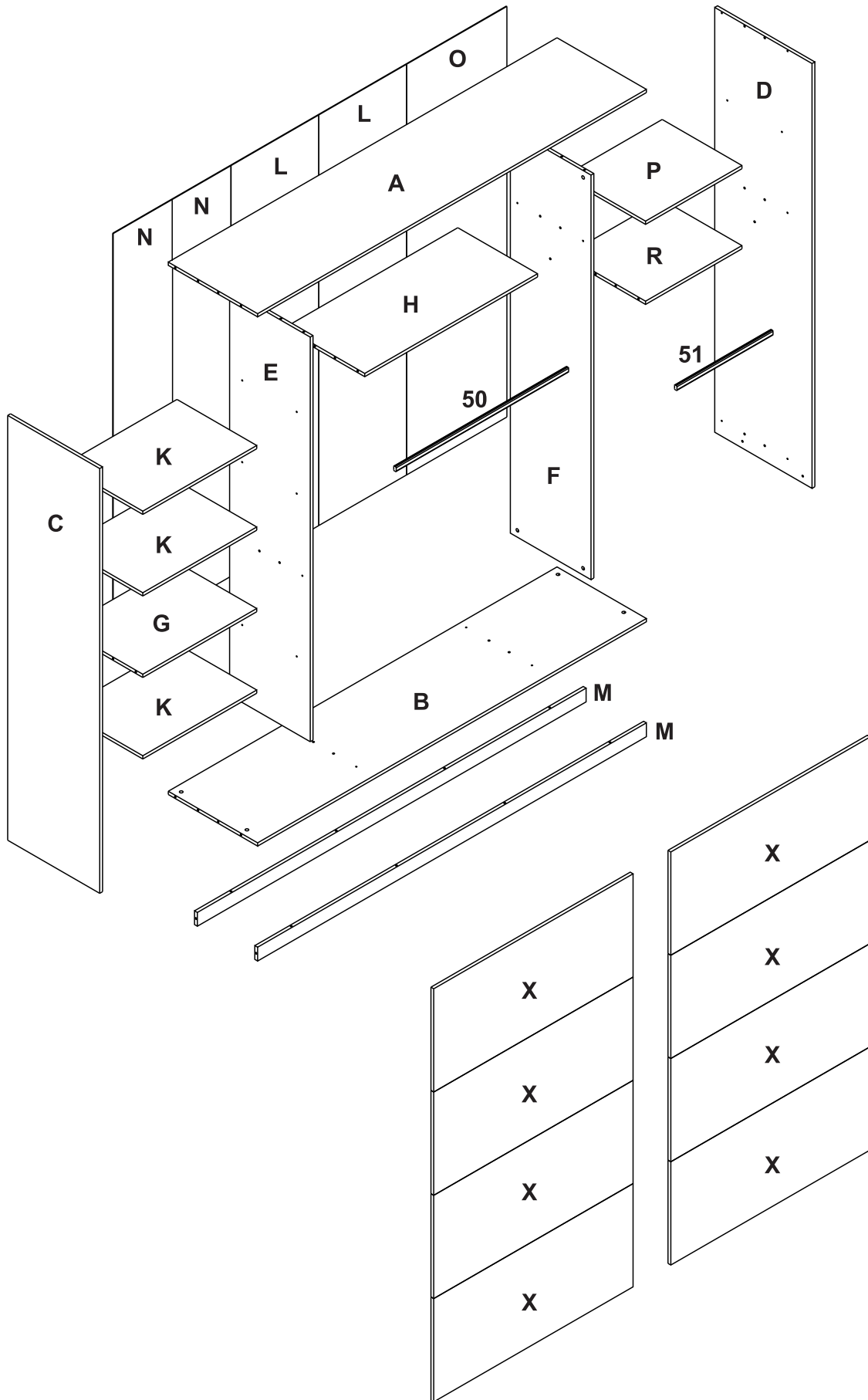


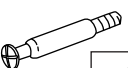

1  x28	2  x28	3  8x35 x40	4  x28	5  x150	6  x4
7  x16	11  x1	9  x2	10  3,5x25 x4	14  4x12 x113	12  3,5x13 x21
23  x2	18  x2	19  x2	20  x2	21  x1	22  x1
29  L=2040 x3	30  L=2040 x1	25  L=2218 x1	26  L=2218 x1	31  x3	32  x18
51  L=542 x1	50  L=980 x1	35  4x16 x16			

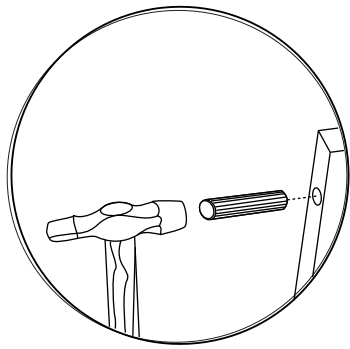
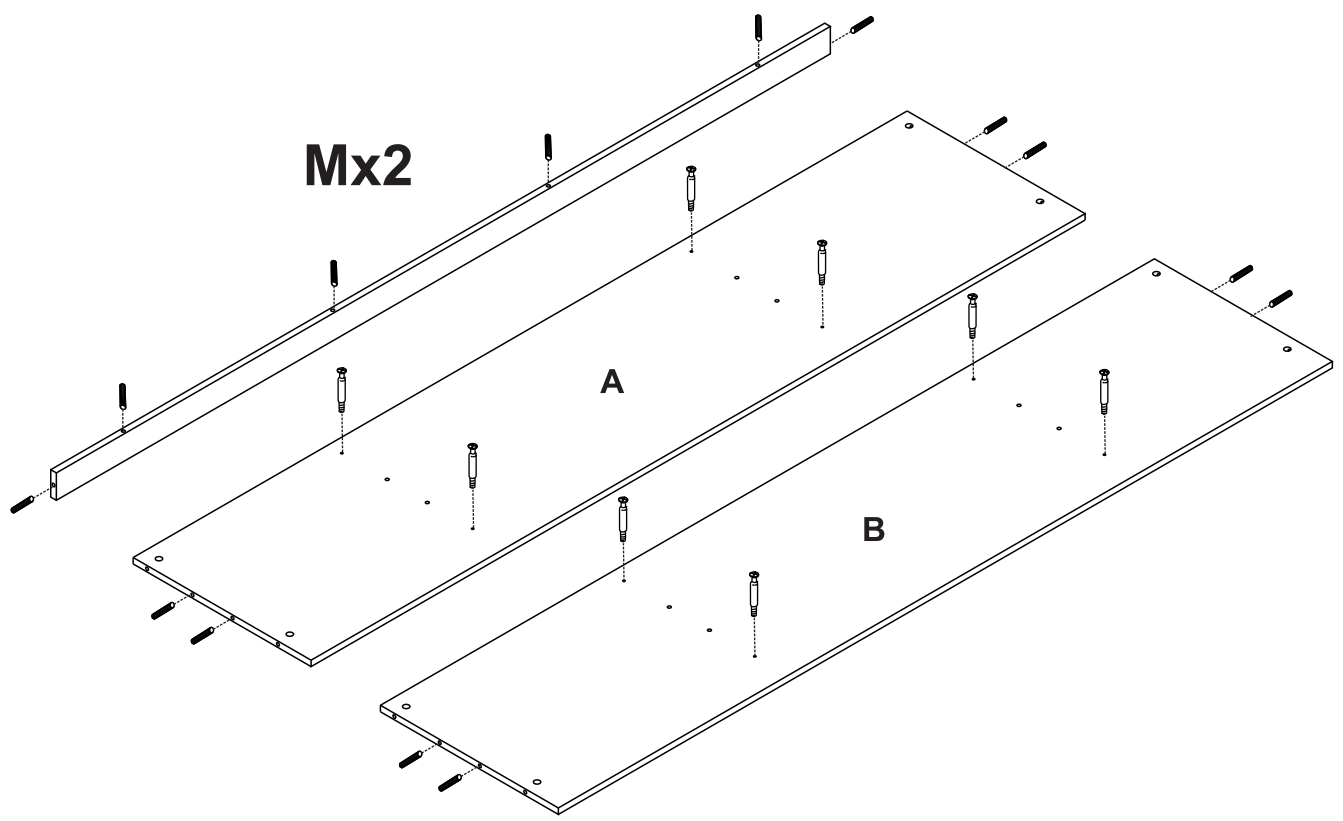
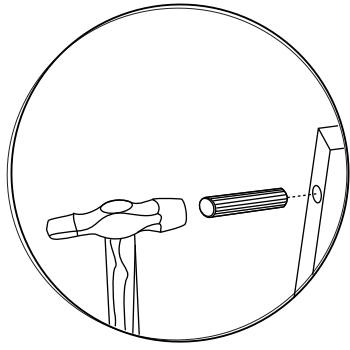
Czas mont. - 180 min.



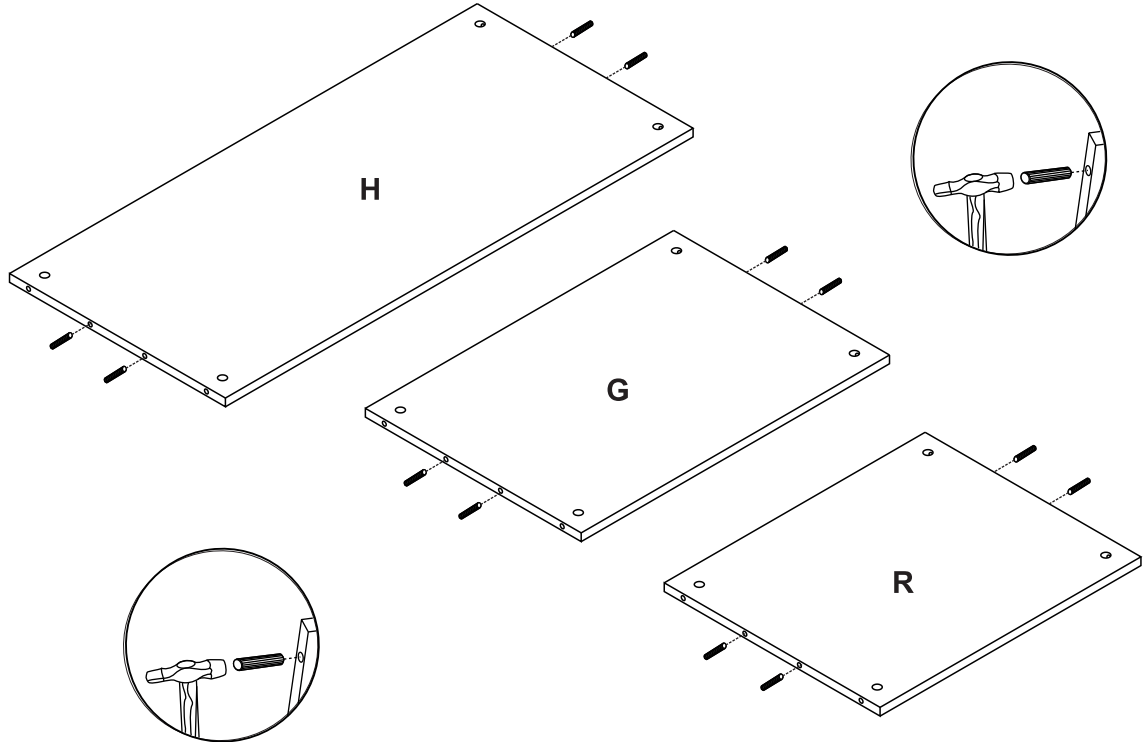
TWISTER



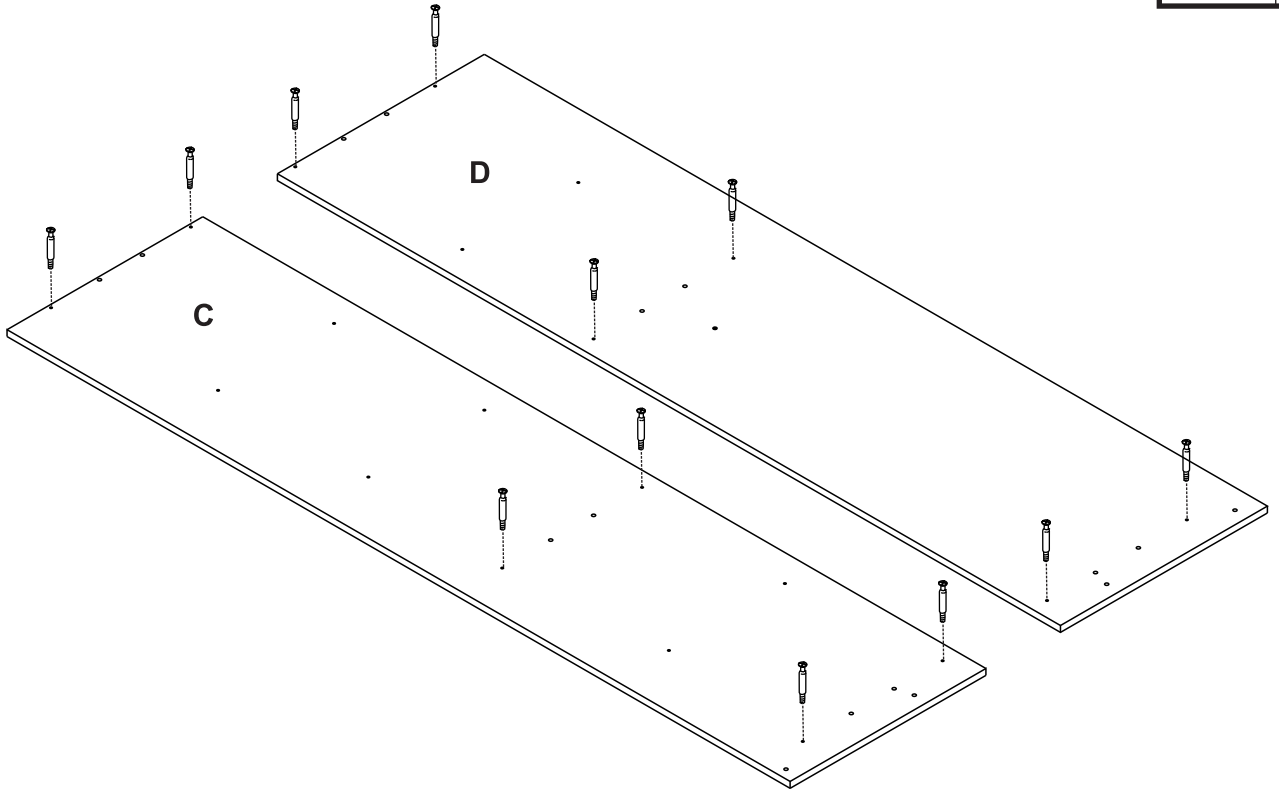
- 1  x8
- 3  8x35 x20

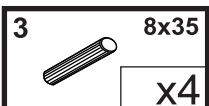
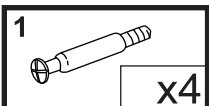
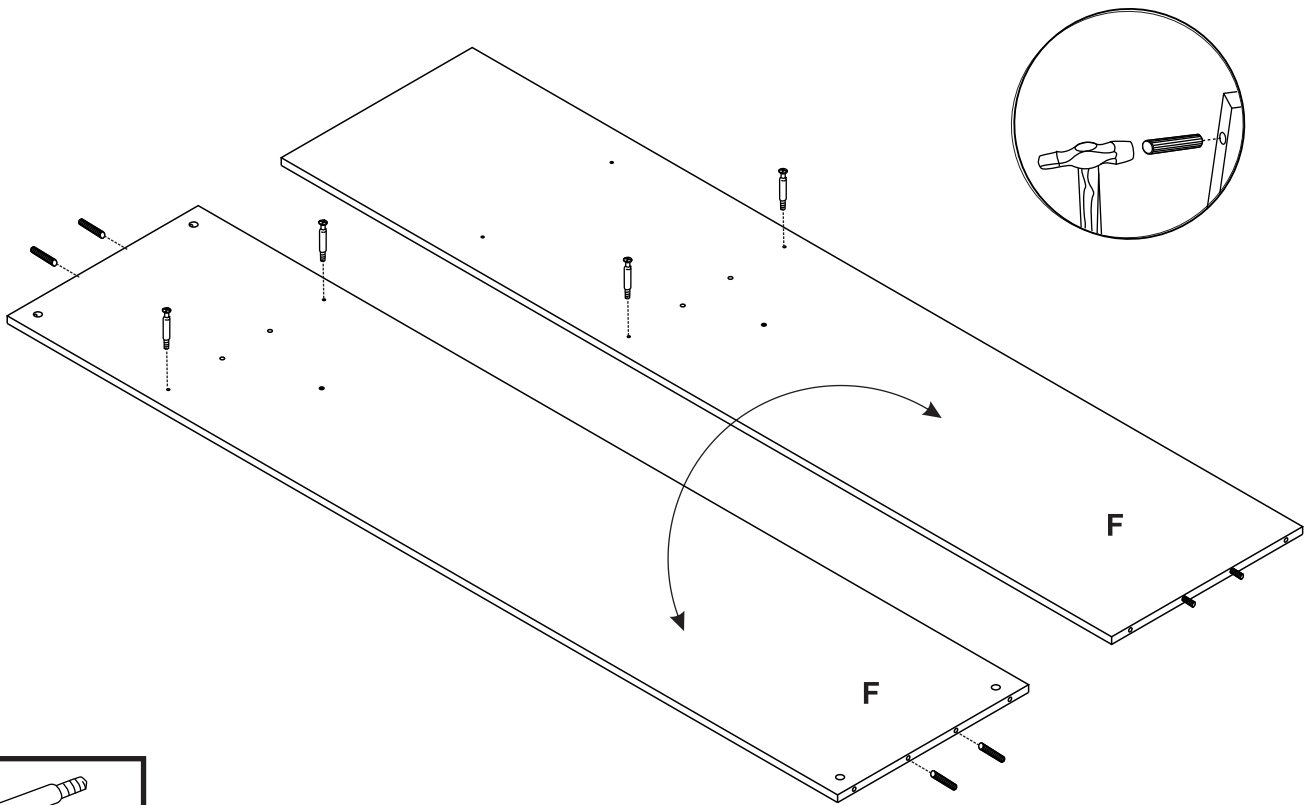
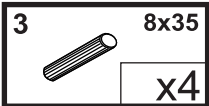
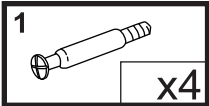
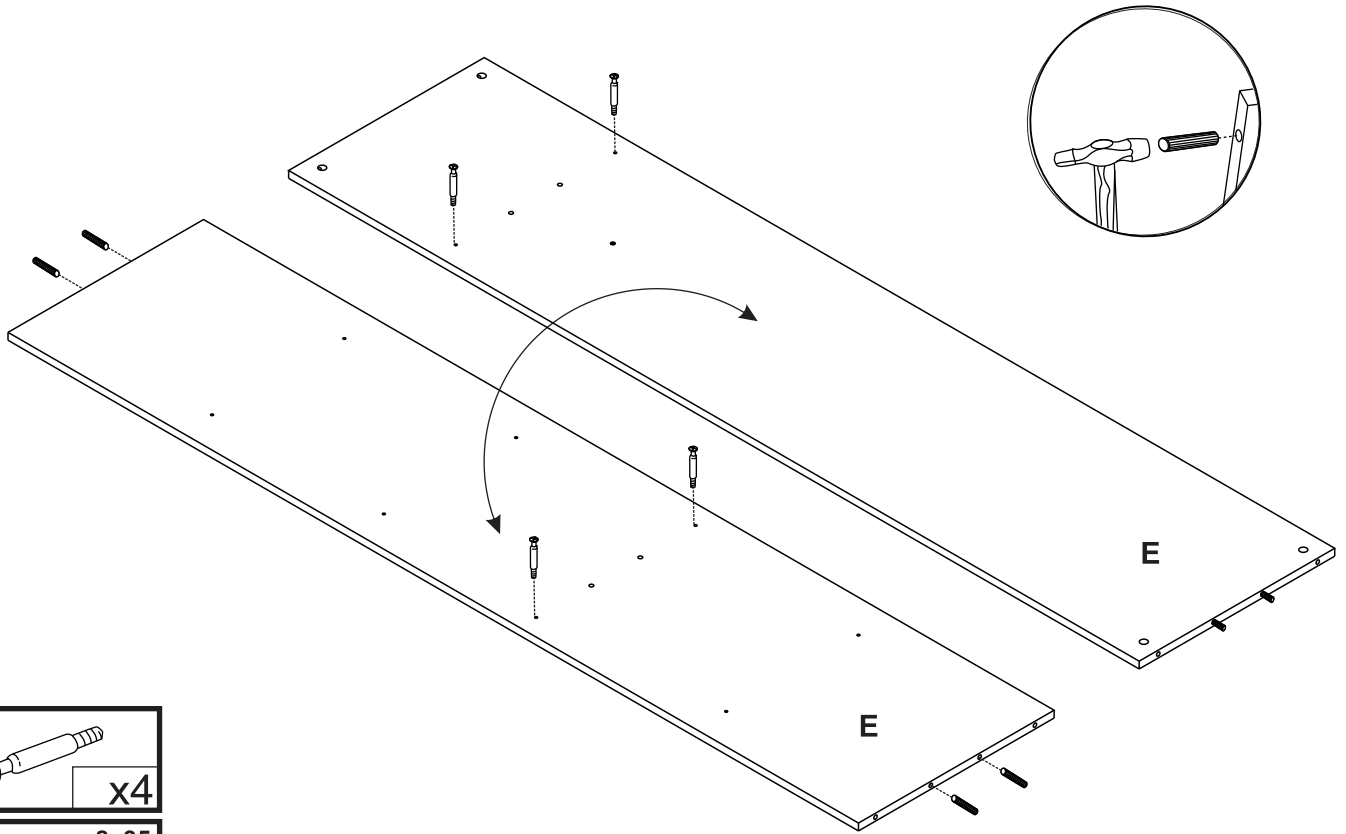


3 8x35
x12

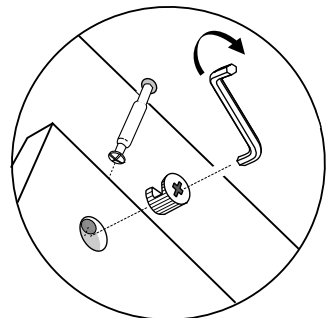
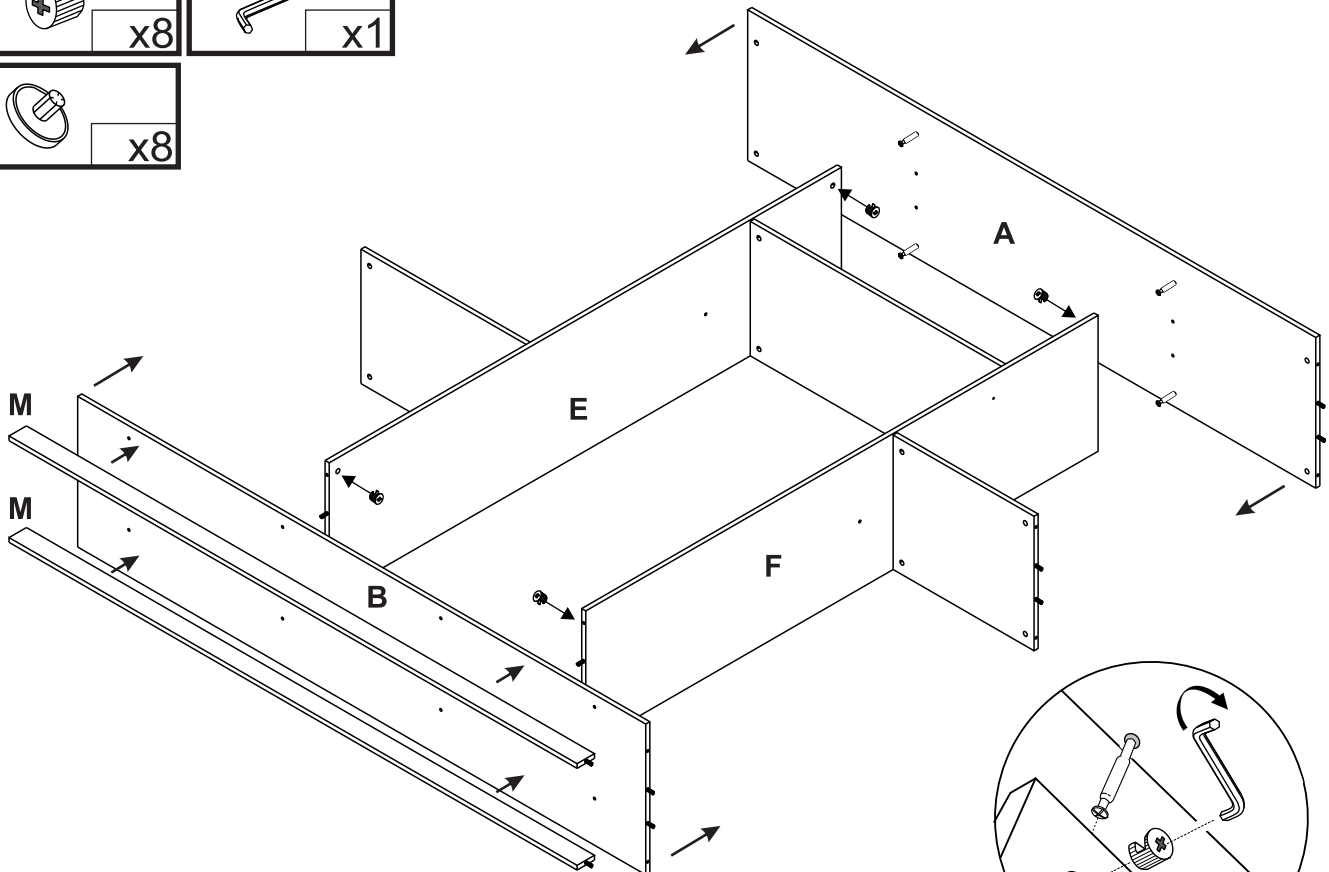
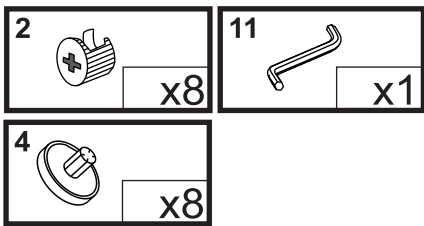
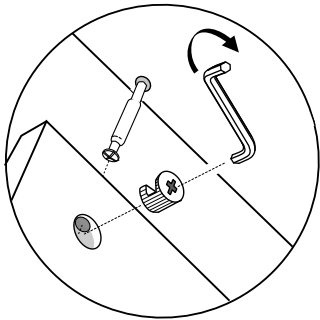
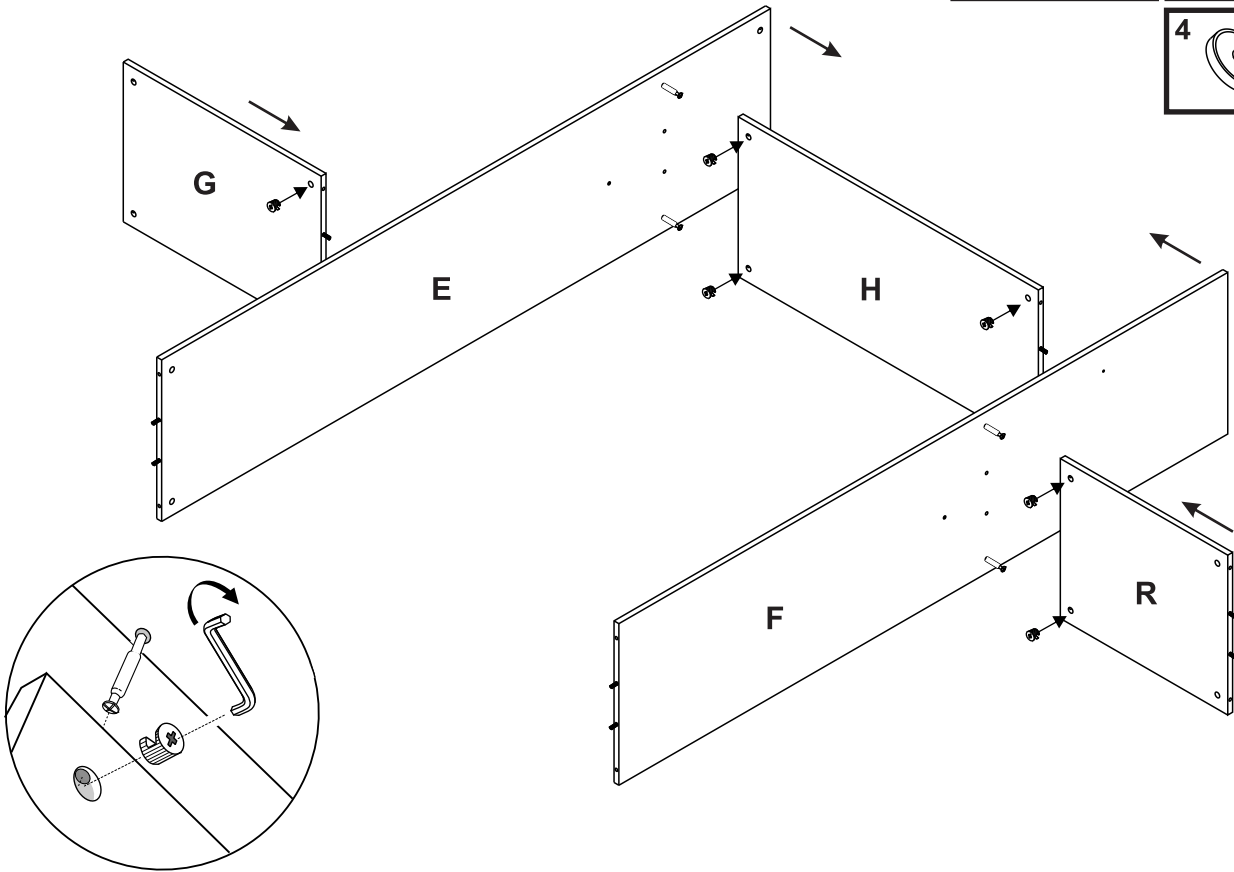
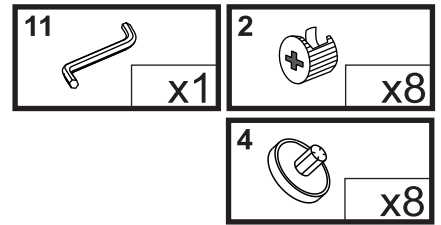


1 x12



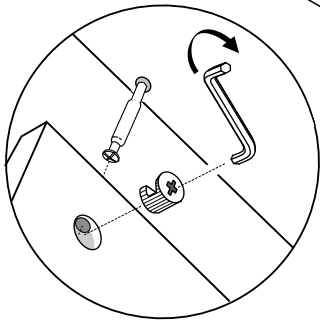
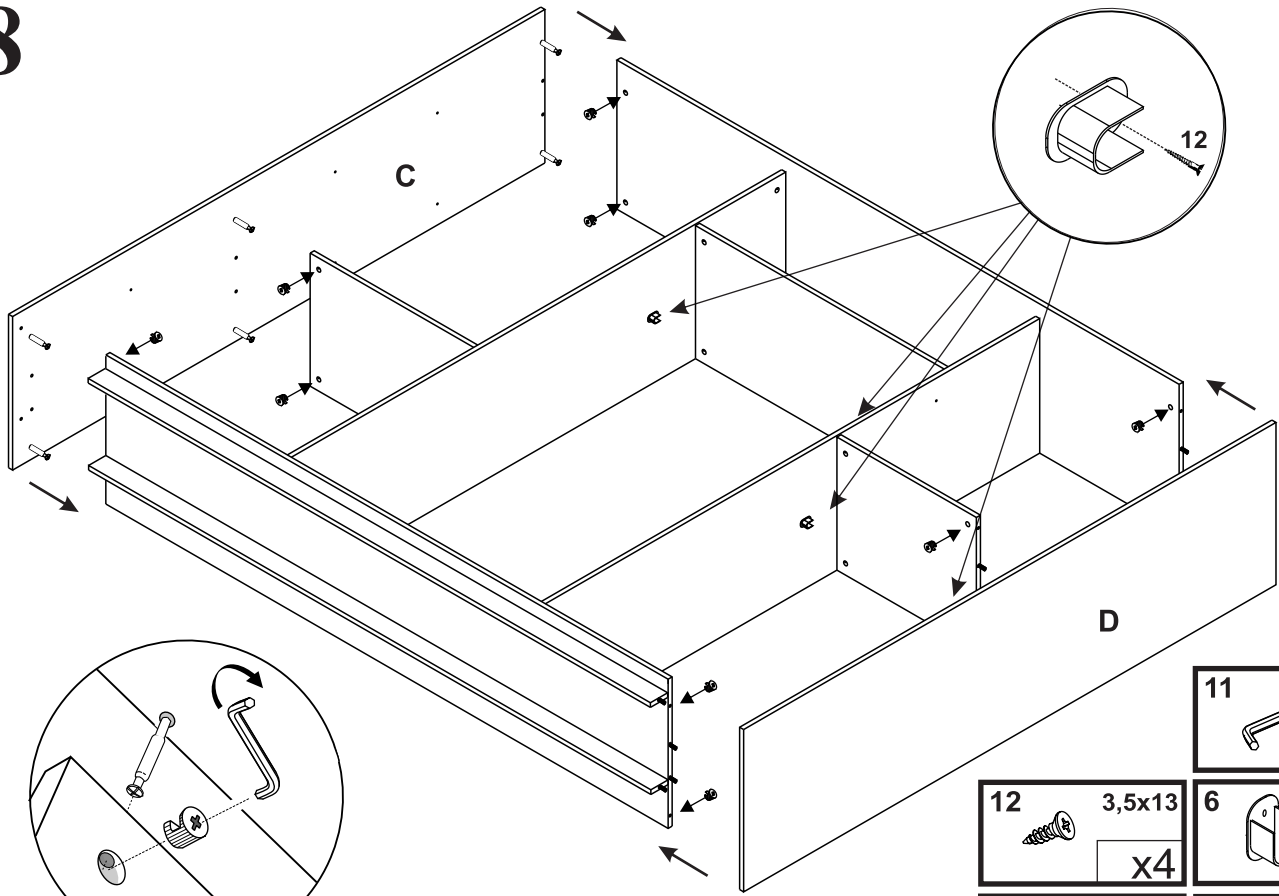


6



7

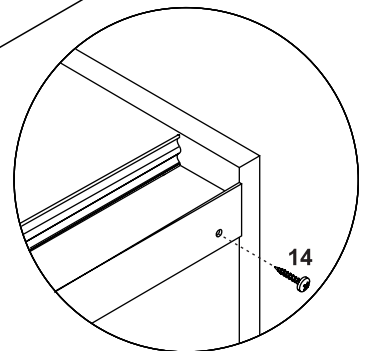
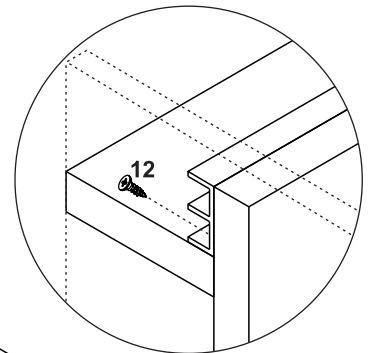
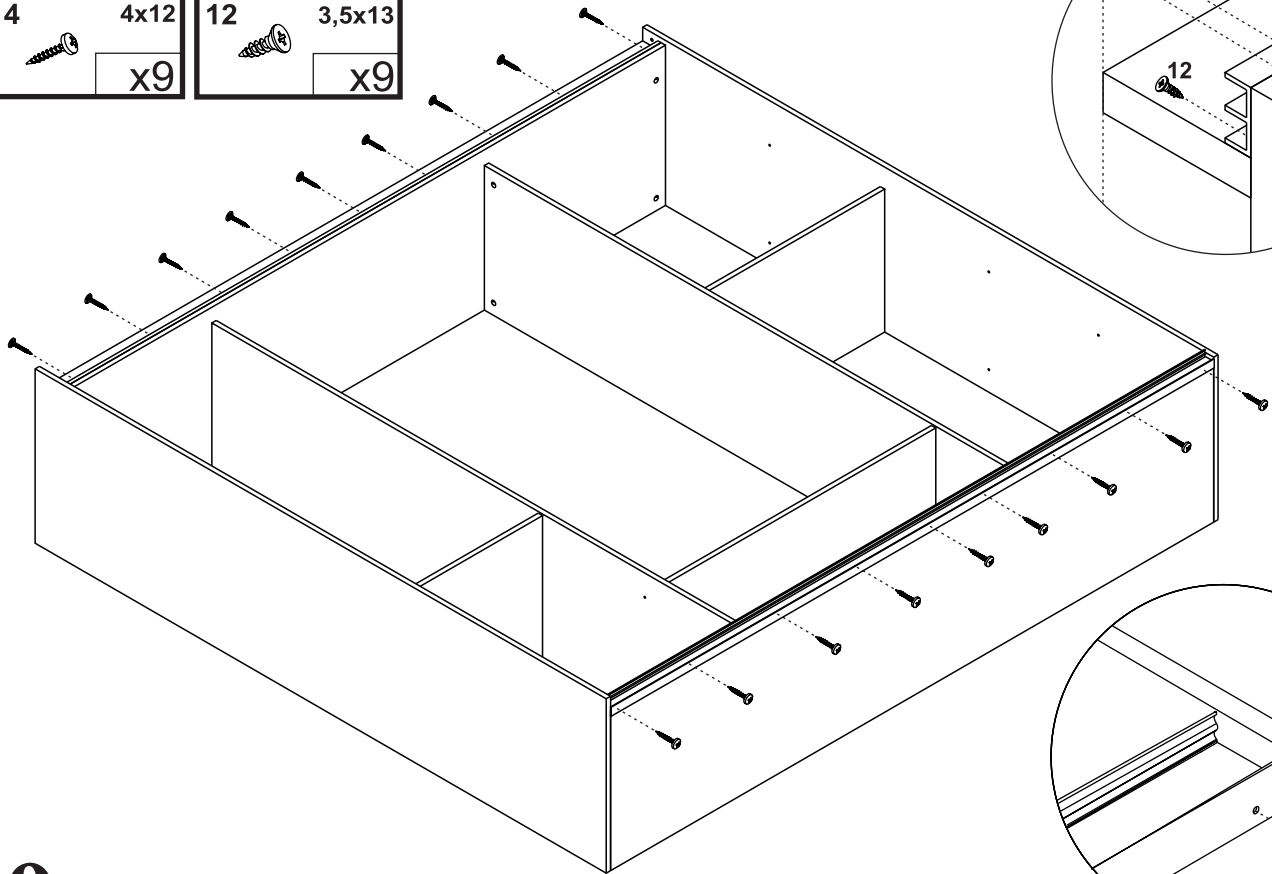
8



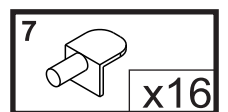
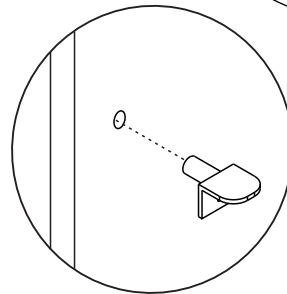
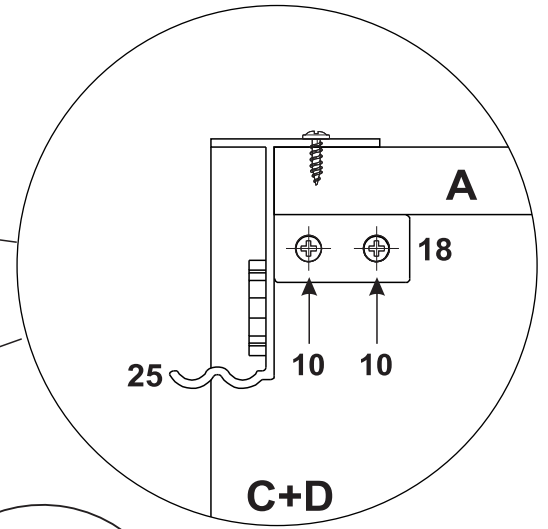
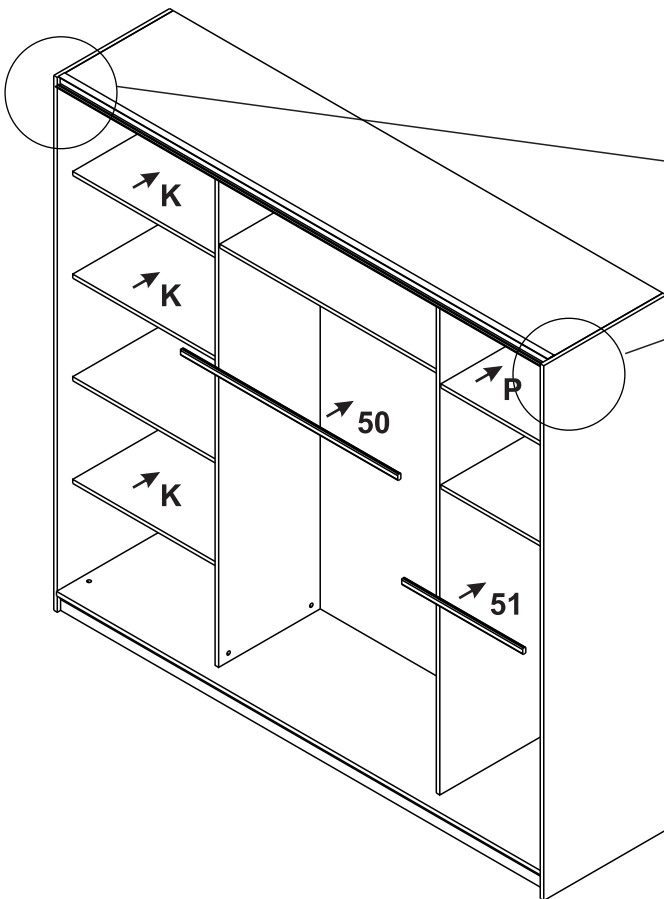
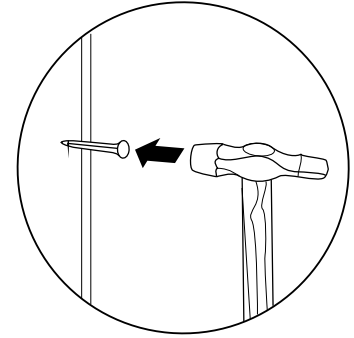
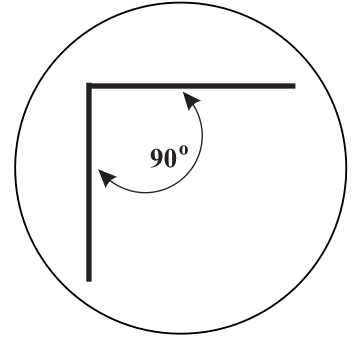
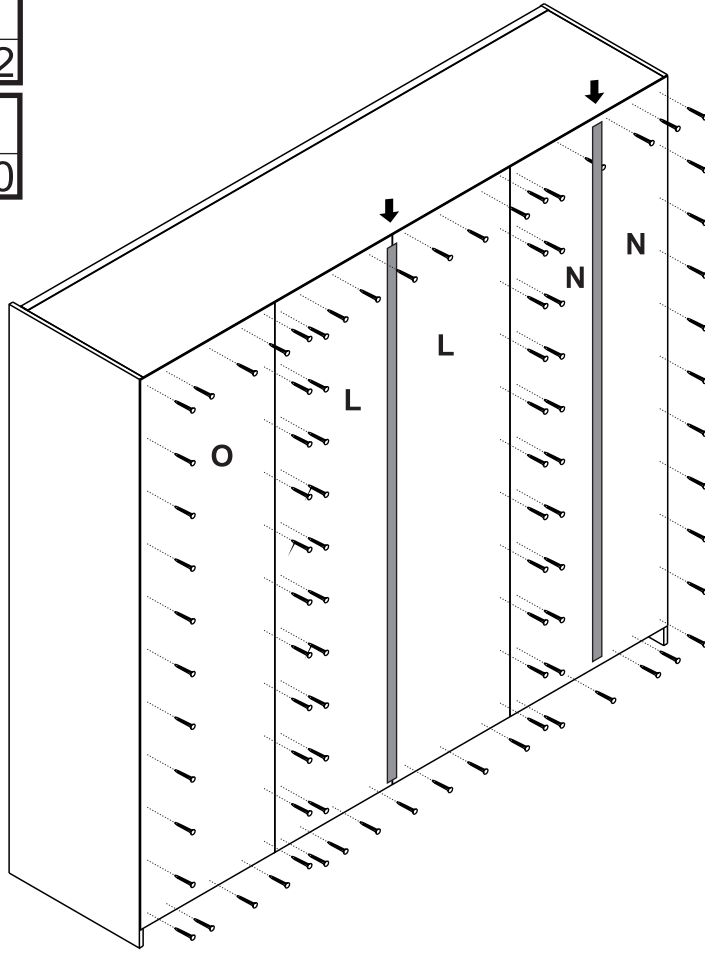
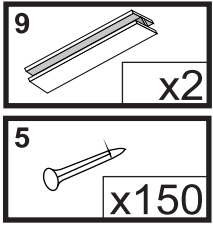
- | | | |
|----|--|-----|
| 11 | | x1 |
| 12 | | x4 |
| 6 | | x4 |
| 2 | | x12 |
| 4 | | x12 |

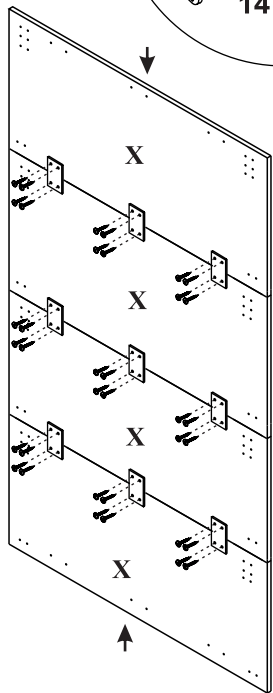
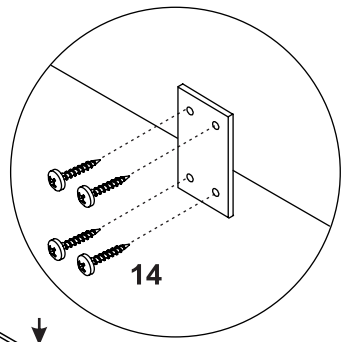
- | | | | |
|----|--|--------|----|
| 25 | | L=2218 | x1 |
| 26 | | L=2218 | x1 |

- | | | | |
|----|--|--------|----|
| 14 | | 4x12 | x9 |
| 12 | | 3,5x13 | x9 |



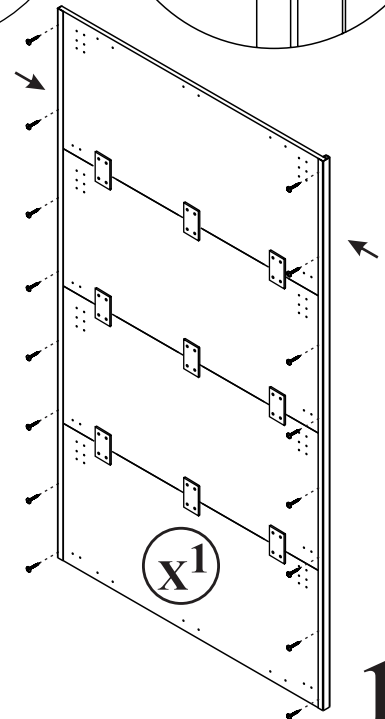
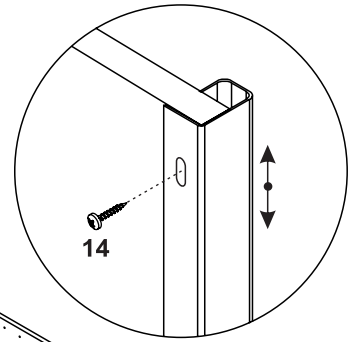
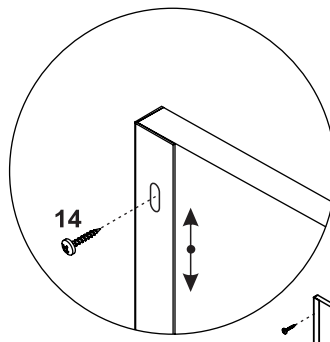
9





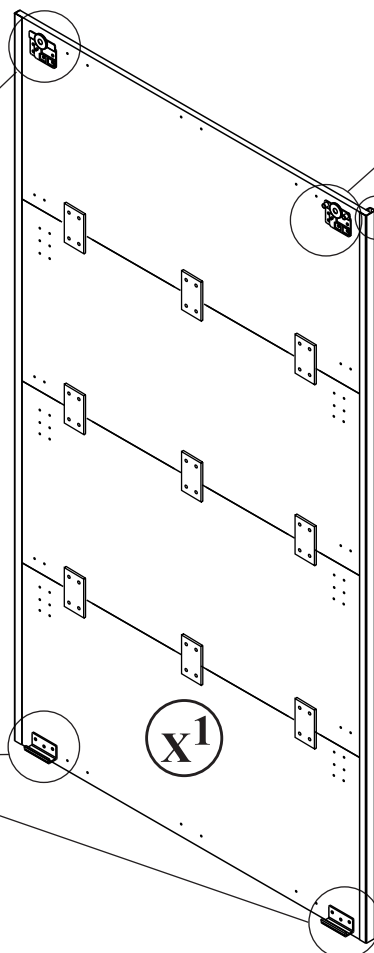
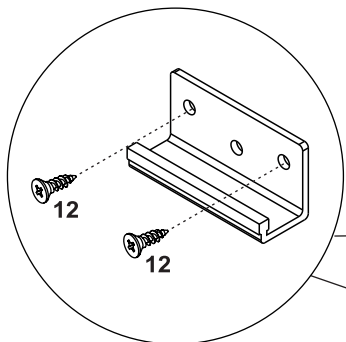
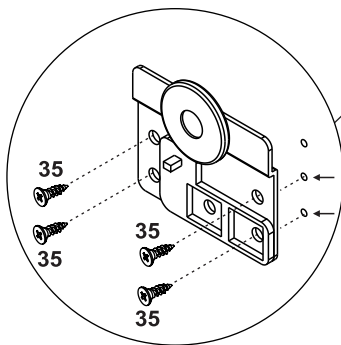
- | | | | |
|----|--|------|-----|
| 32 | | 4x12 | x9 |
| 14 | | 4x12 | x36 |

12

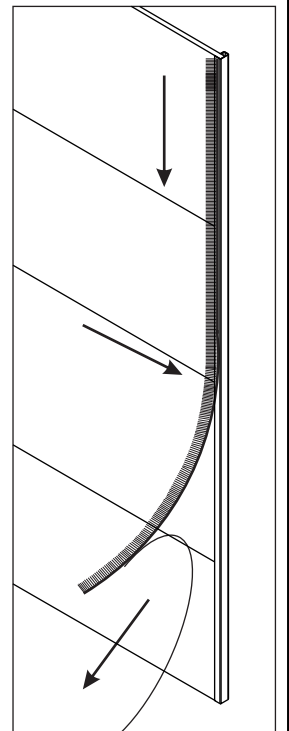
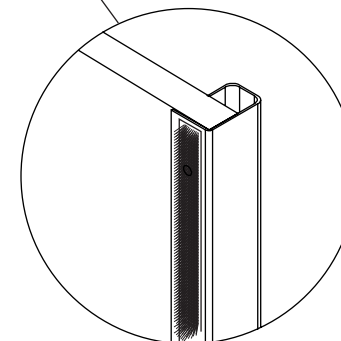
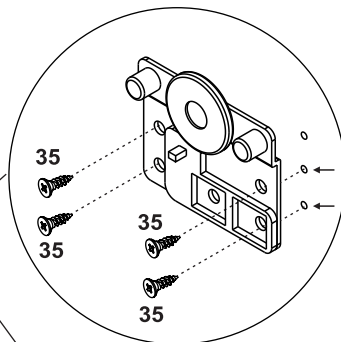


- | | | | |
|----|--|--------|-----|
| 14 | | 4x12 | x16 |
| 29 | | L=2040 | x1 |
| 30 | | L=2040 | x1 |

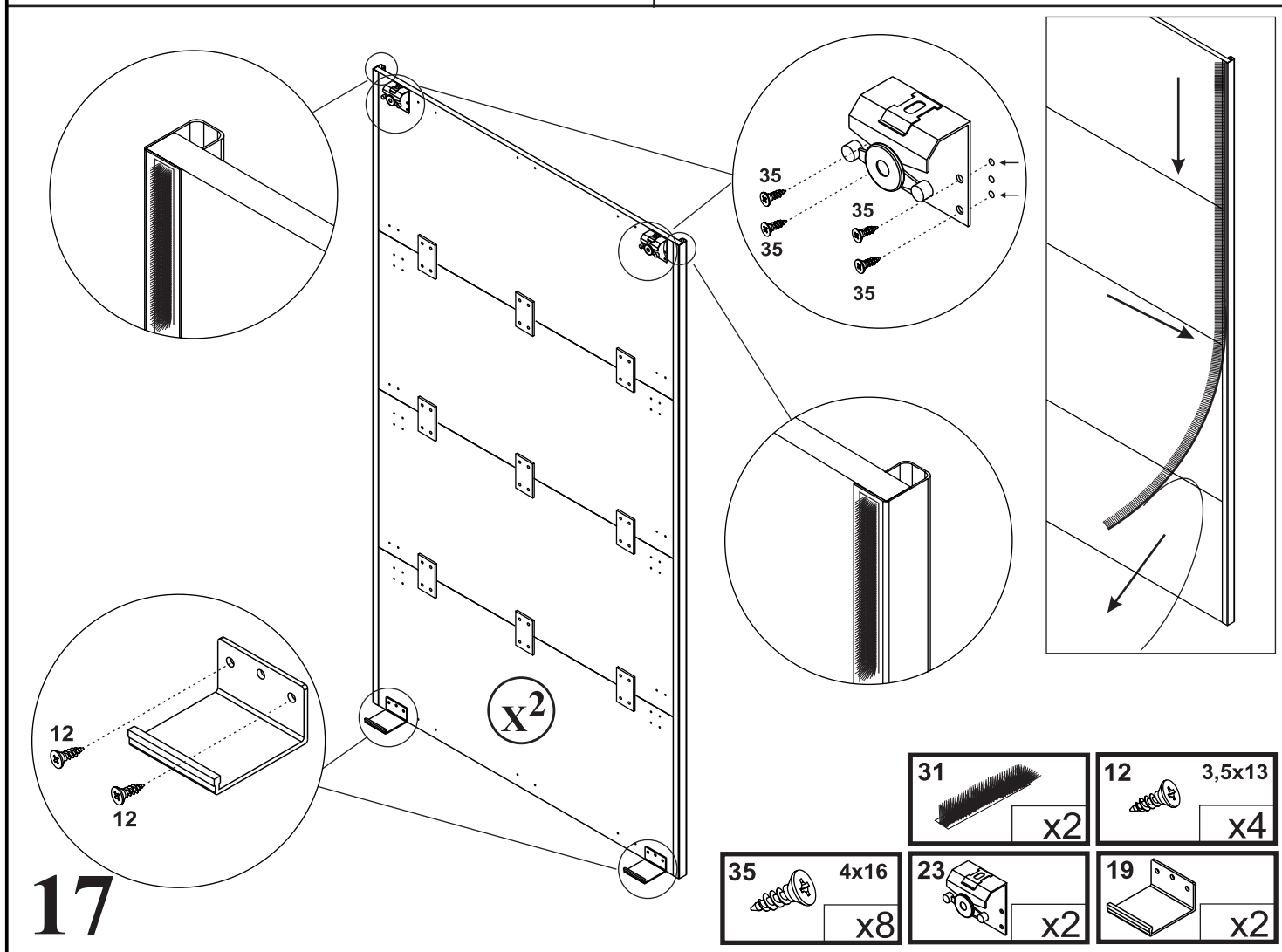
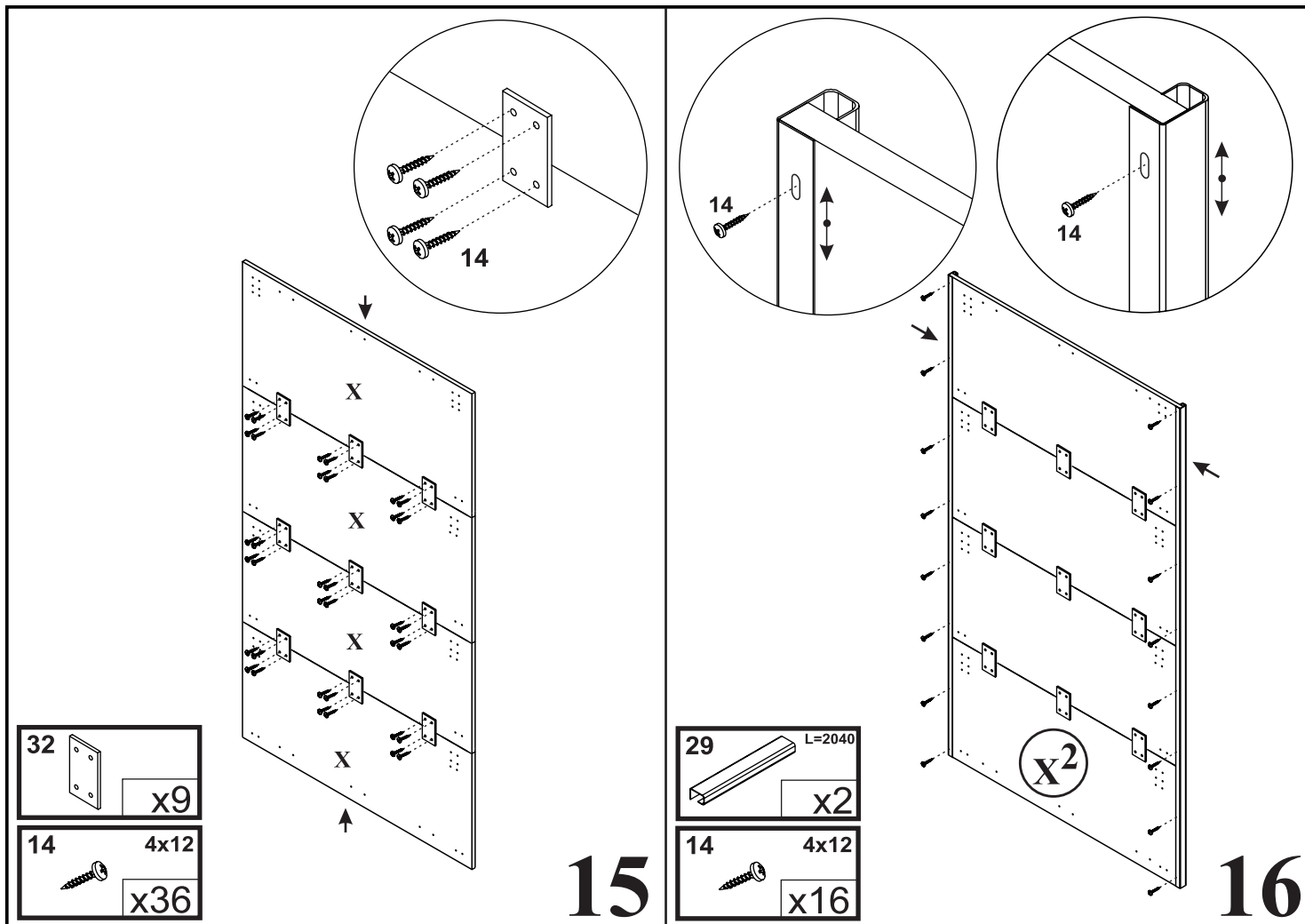
13



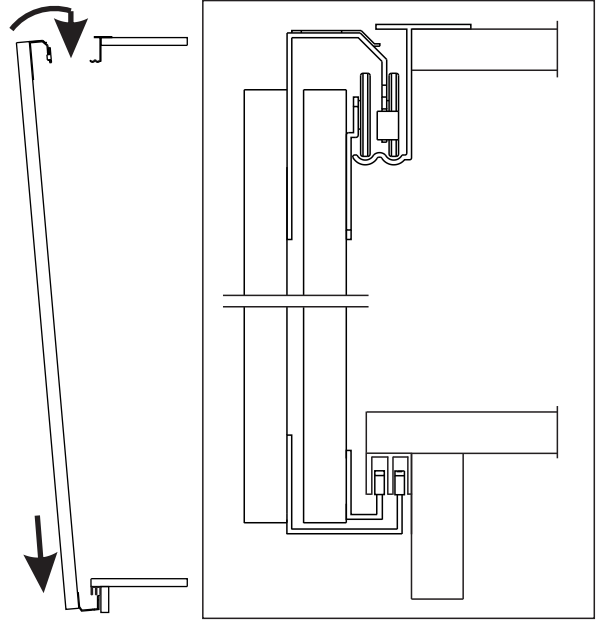
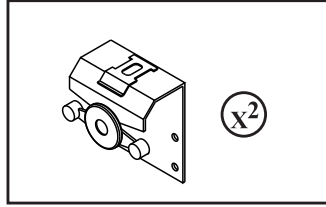
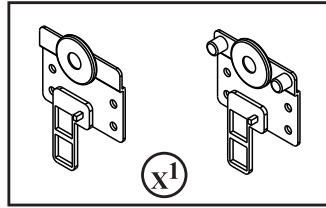
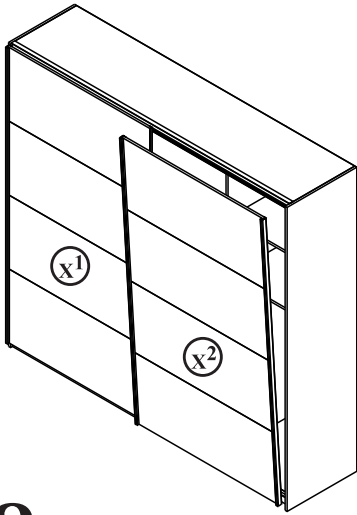
14



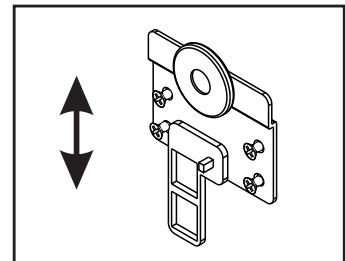
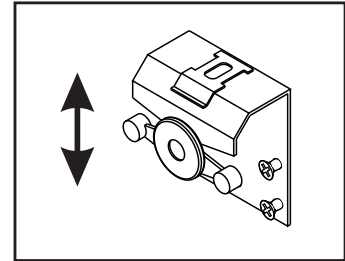
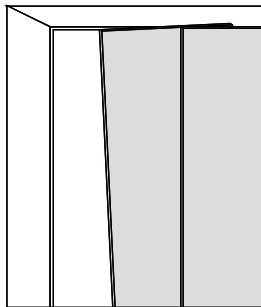
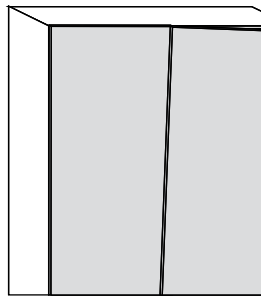
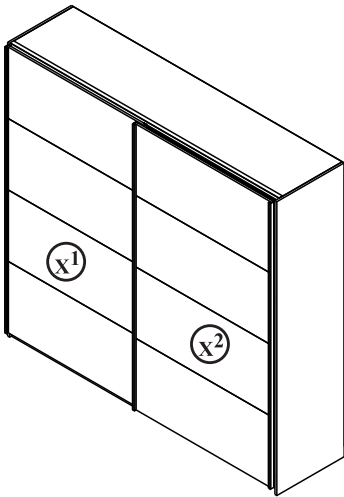
- | | | | |
|----|--|--------|----|
| 35 | | 4x16 | x8 |
| 21 | | | x1 |
| 22 | | | x1 |
| 20 | | | x2 |
| 12 | | 3,5x13 | x4 |
| 31 | | | x1 |



18



19



20

