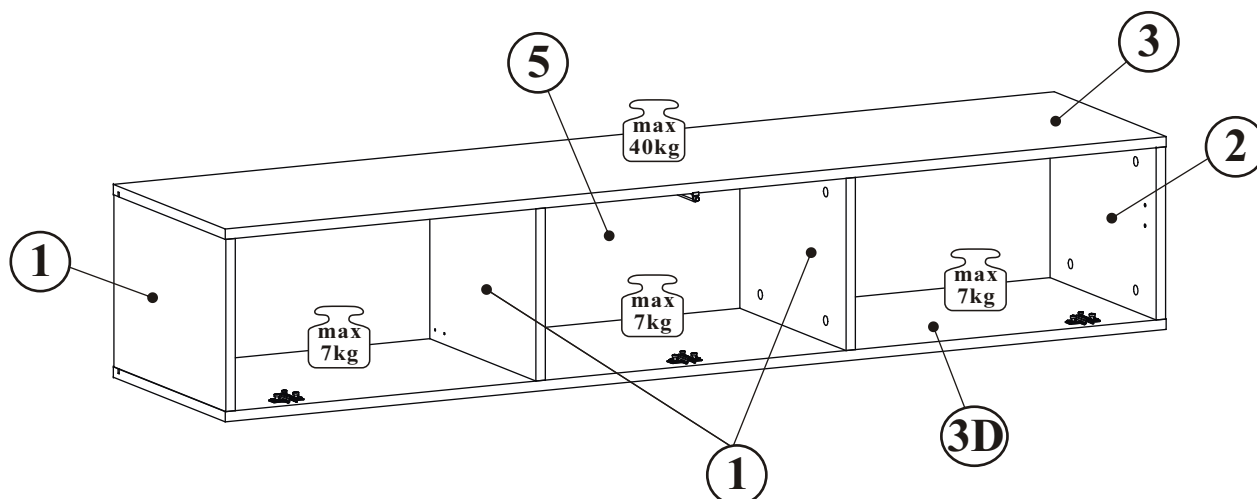
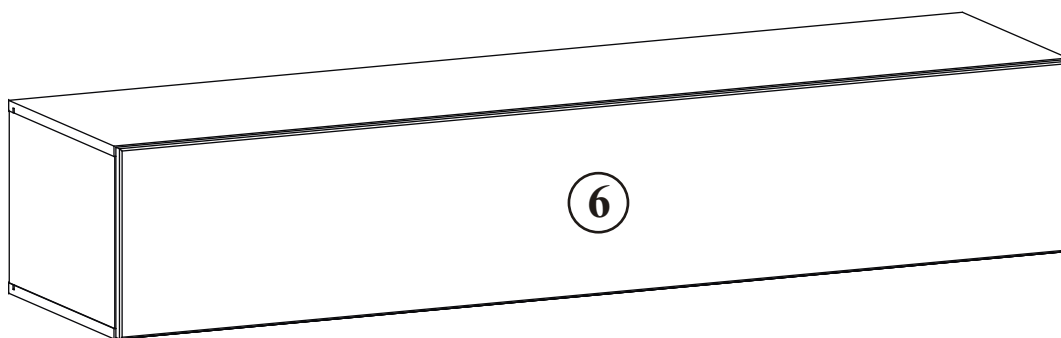
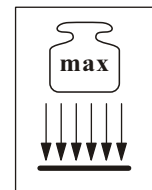
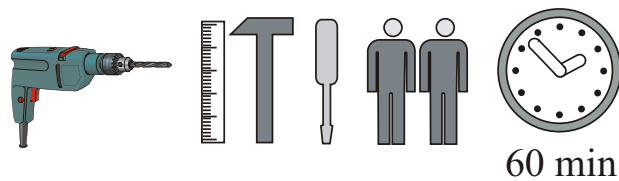


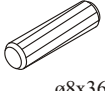
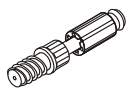


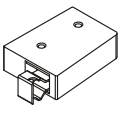

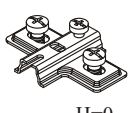
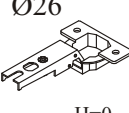

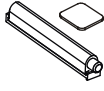


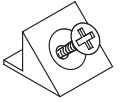
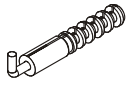

FLY 28 -- FY 30-C

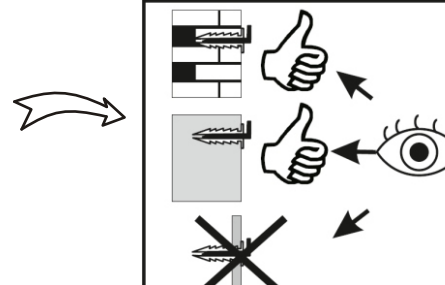
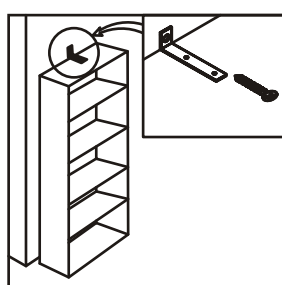
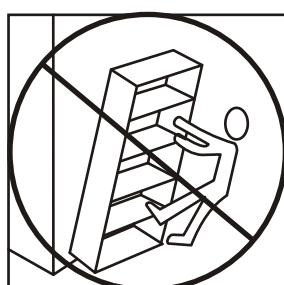
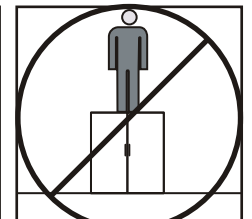
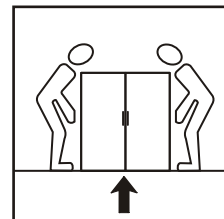
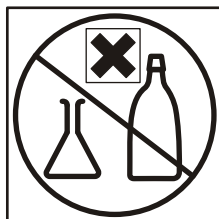
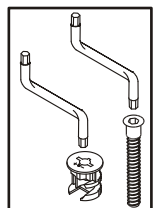
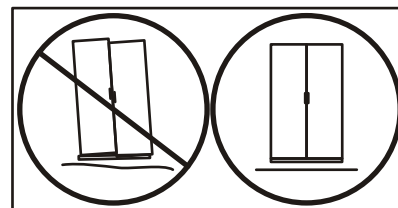
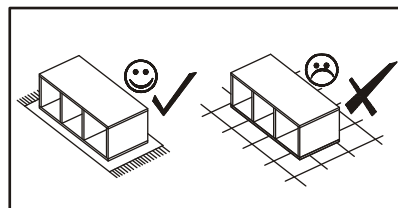
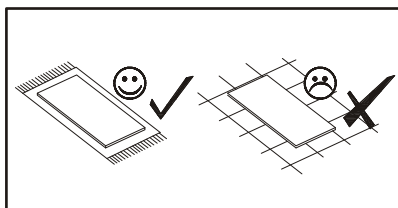
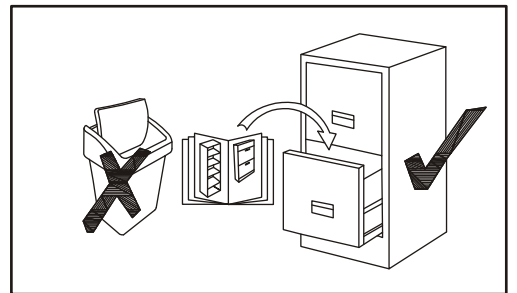
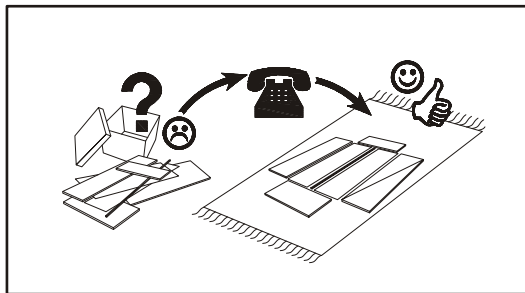
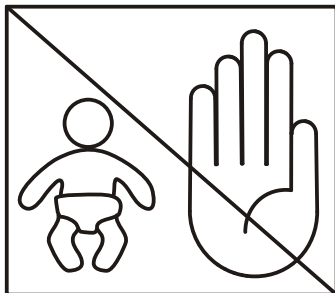
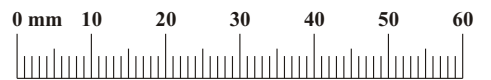


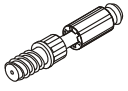
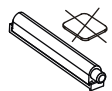
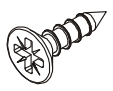
NO	Dim.		Col.-No	Qty
1	268	384	1	1
2	268	384	1	1
3	1602	384	1	1
3D	1602	384	1	1
4	268	364	1	2
5	1580	280	1	1
6	1596	296	1	1



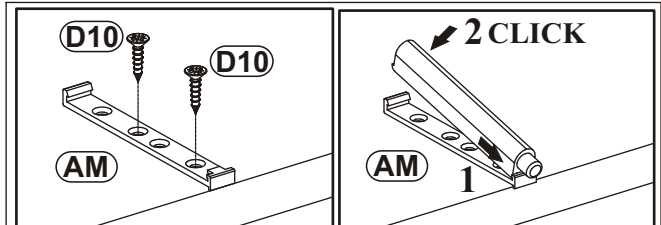
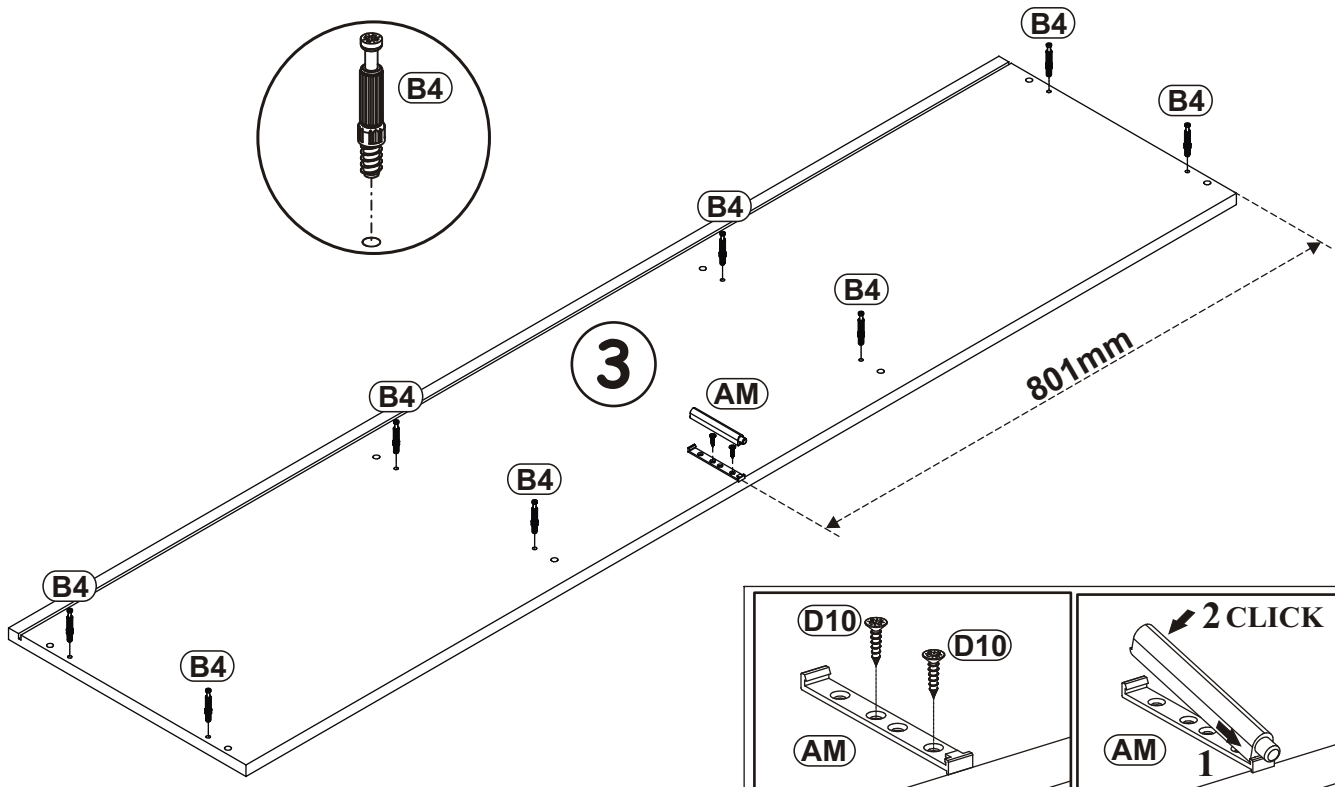
FLY 28--FY 30-C

A1 x16  ø8x36	B4 x16 	B5 x16  ø15x12	G5 x16 	ZR1 x4 	D6 x8  USØ3,5x30
E2 x3  H=0	E1 x3  Ø26 H=0	D10 x24  USØ3,5x13	AM x1 	G21 x2 	D7 x6  USØ3x16
S1 x12 	KR2 x4 	G2 x1 			

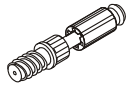
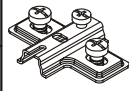


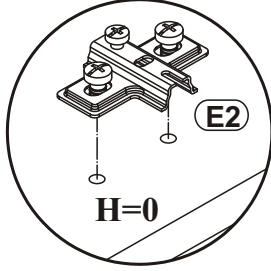
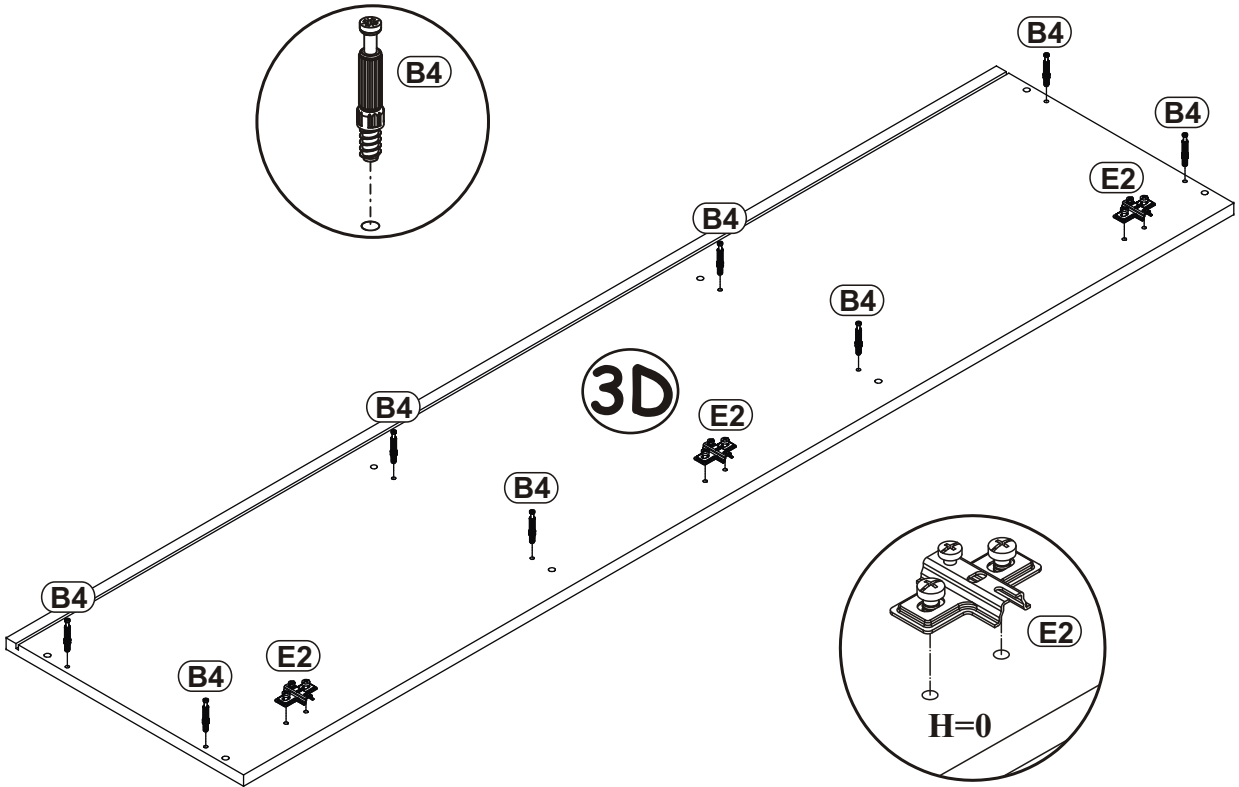
B4		AM		D10	
x8		x1		x2	US03,5x13

1

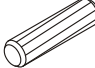



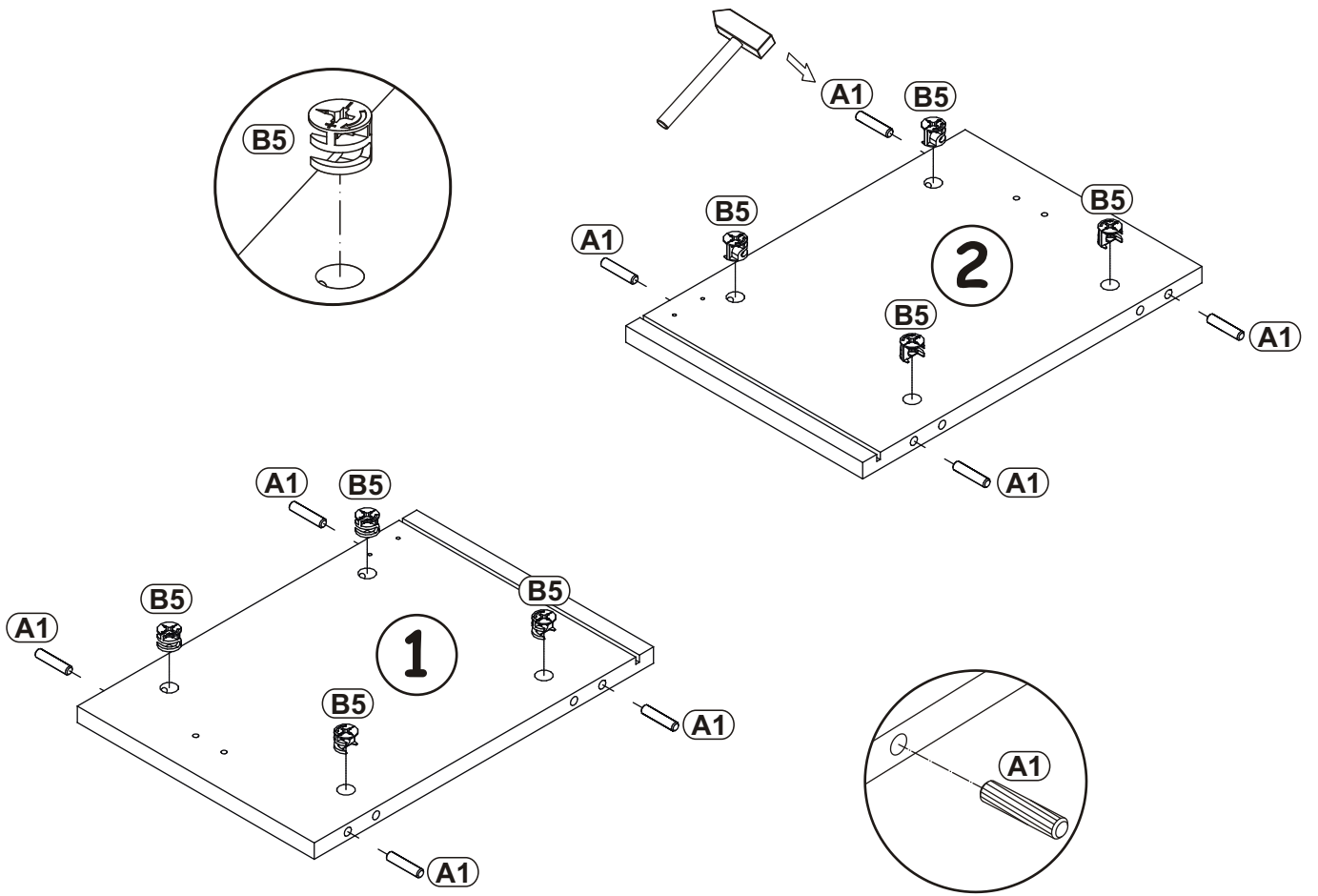
2

B4		E2	
x8		x3	H=0

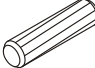



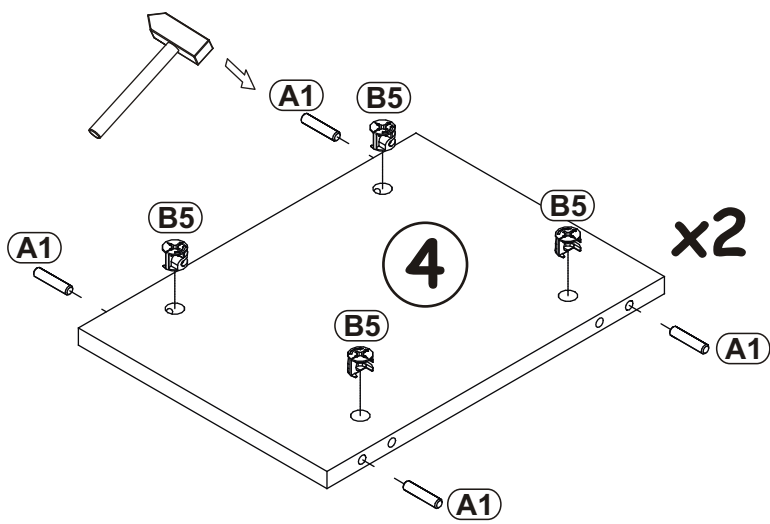
3

A1		B5	
x8		x8	

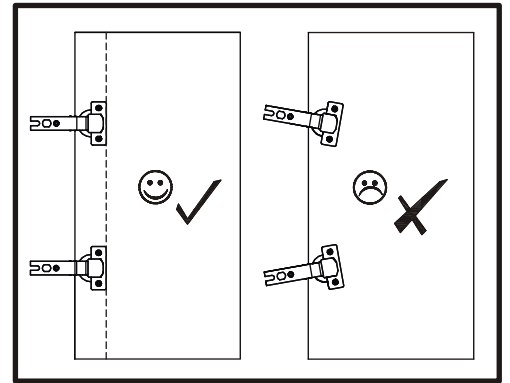
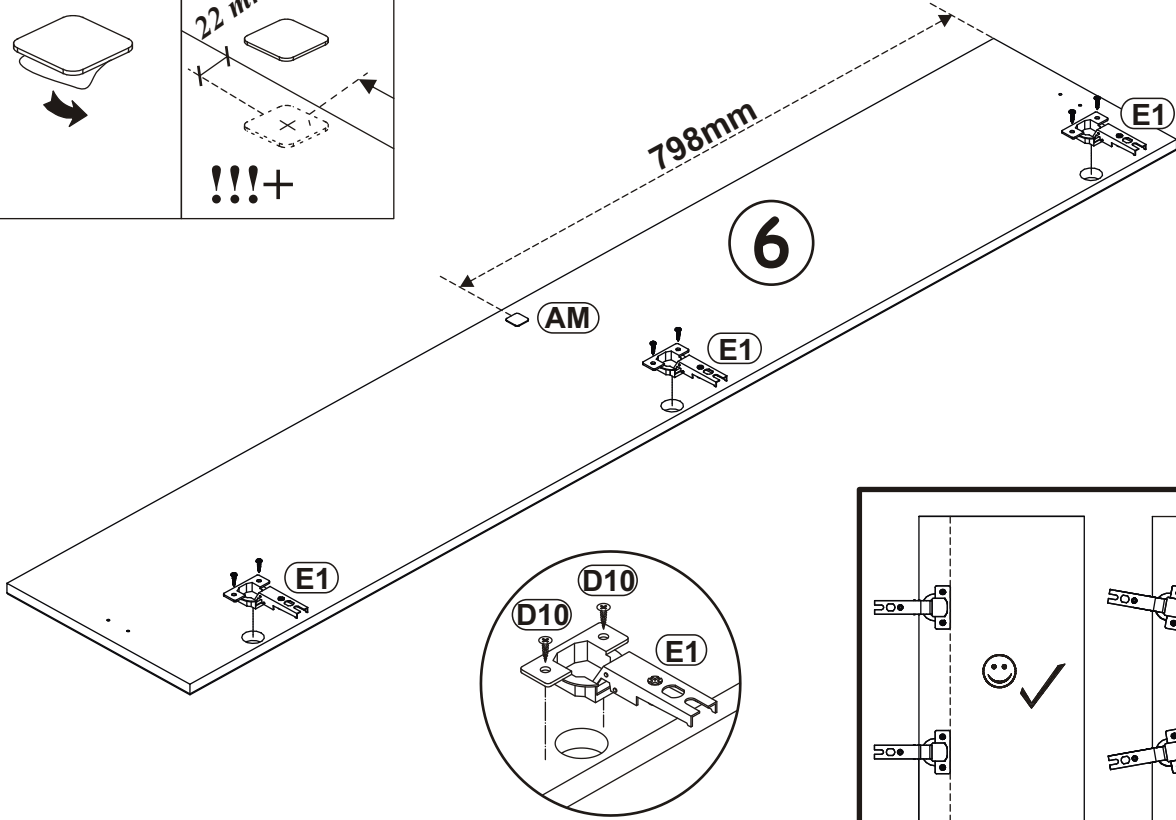
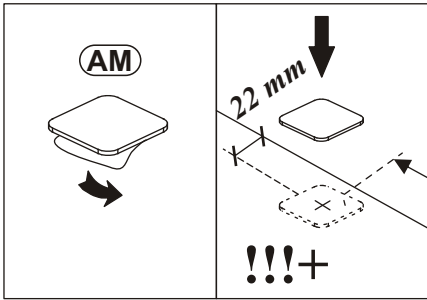
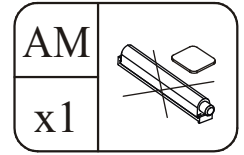
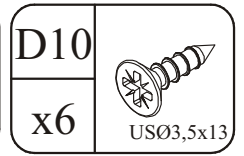
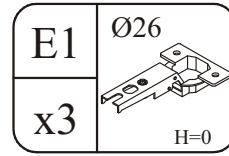
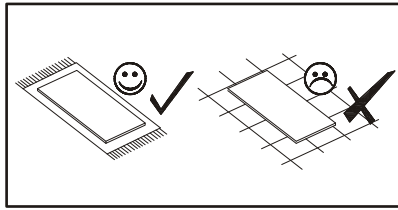


4

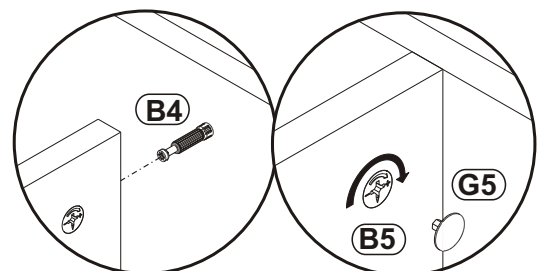
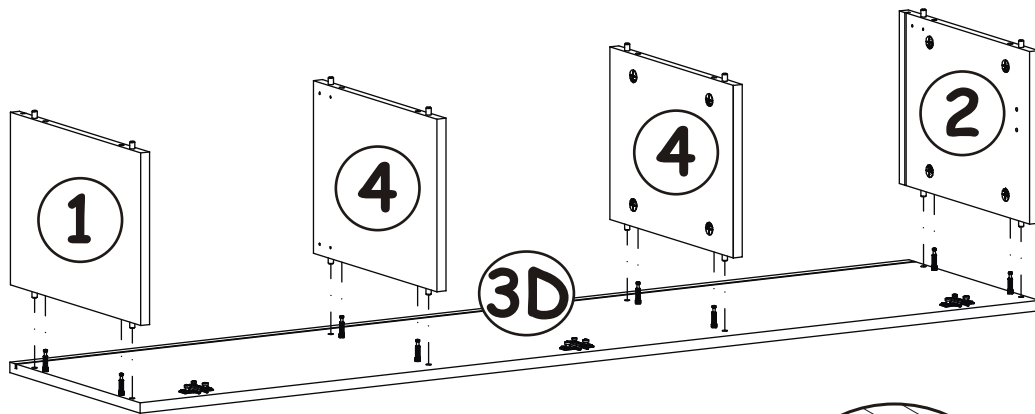
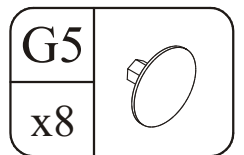
A1		B5	
x8		x8	




5

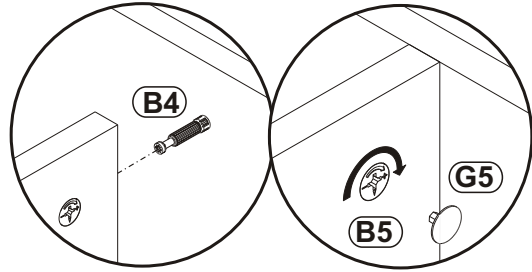
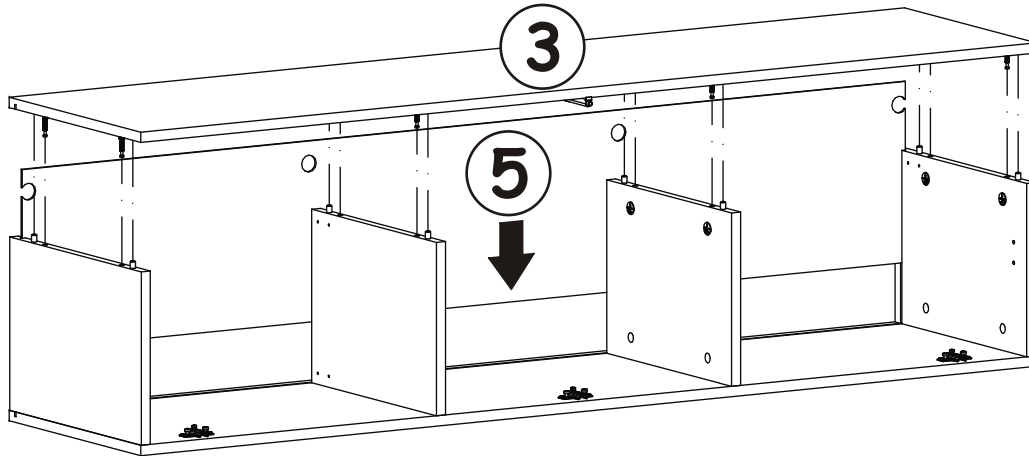


6



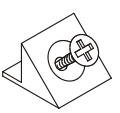
7

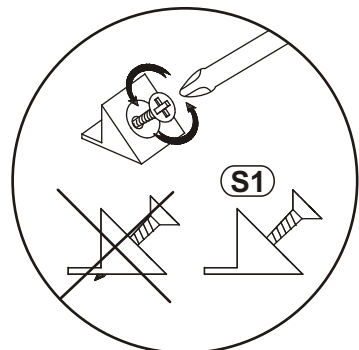
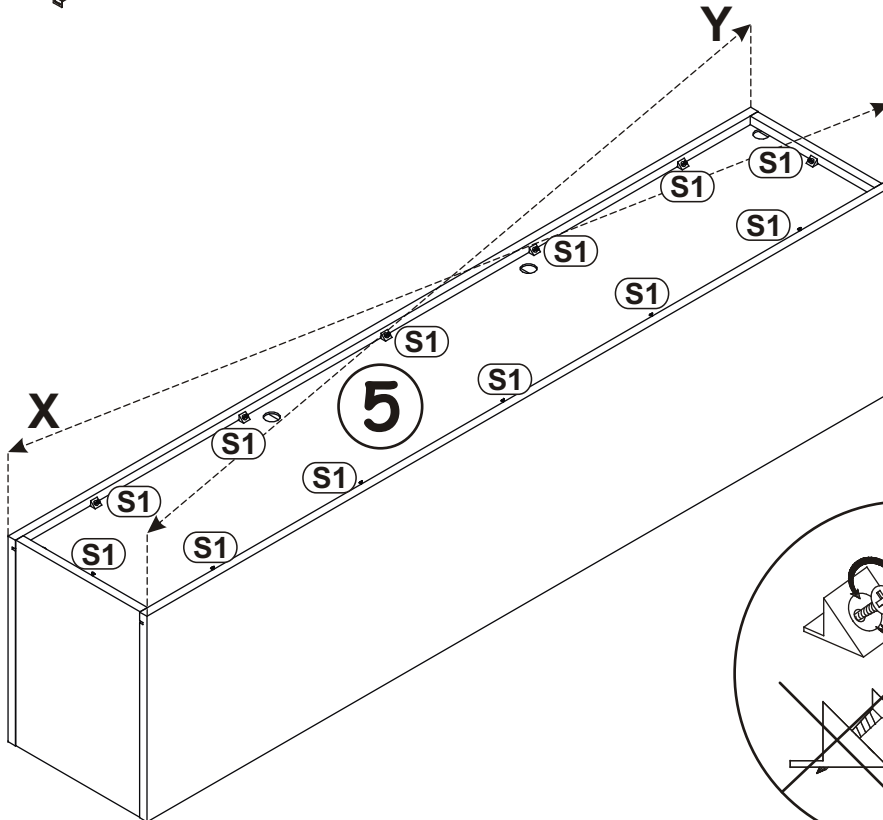
G5	
x8	



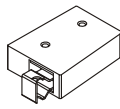

8

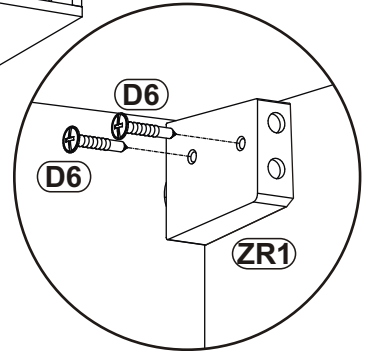
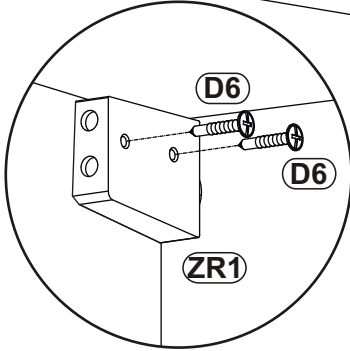
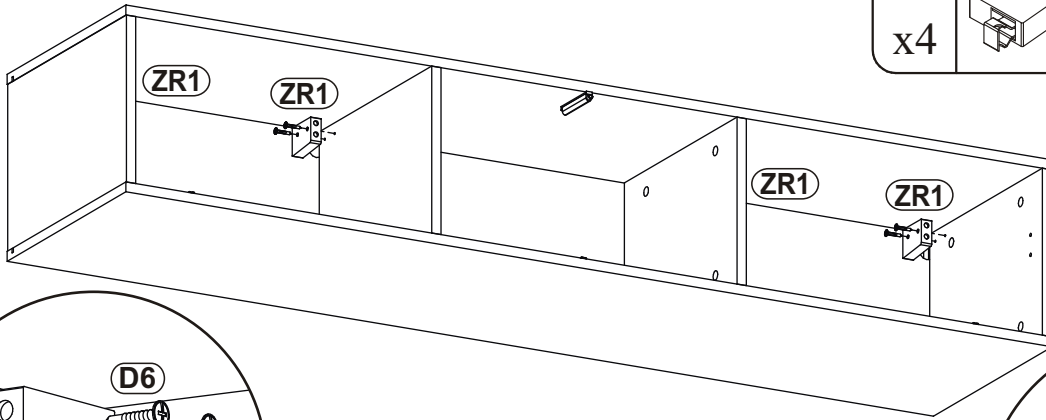


S1	
x12	

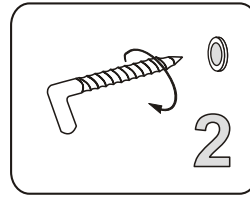
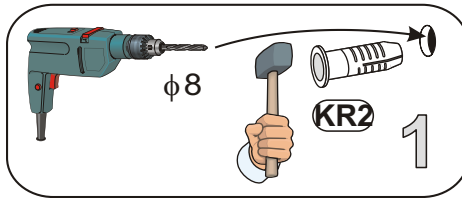
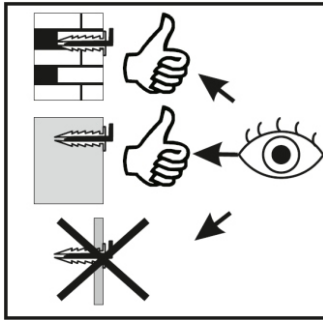


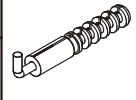
9

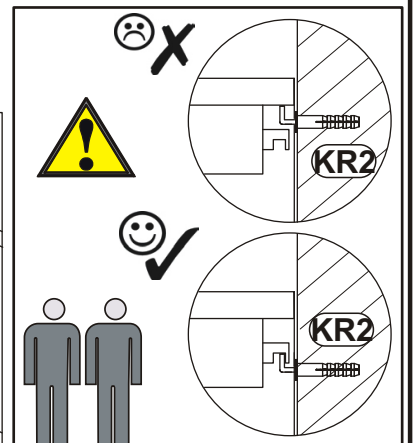
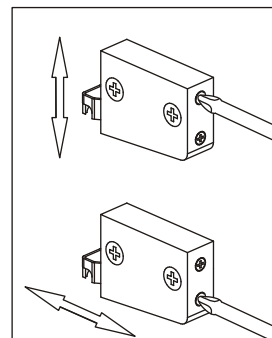
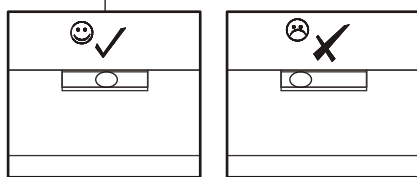
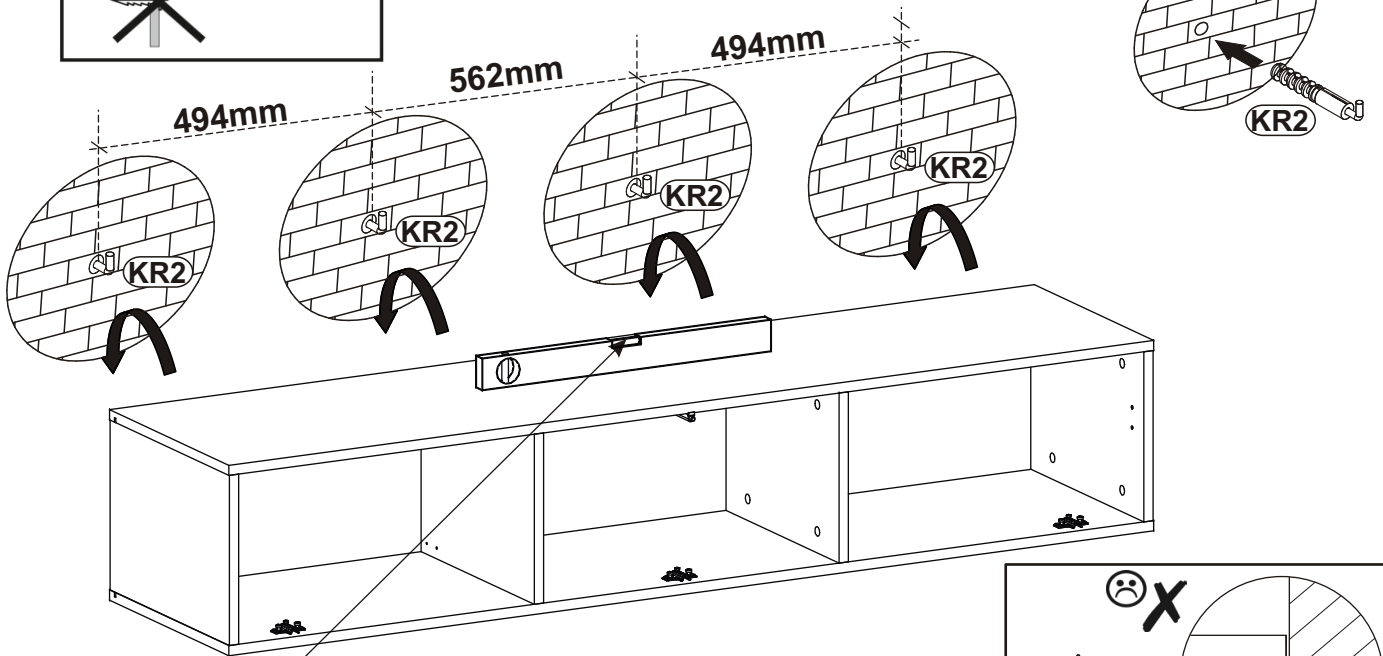
ZR1		D6	
x4		x8	USØ3,5x30



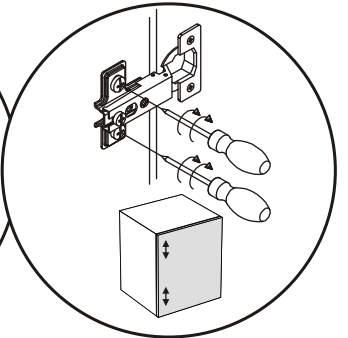
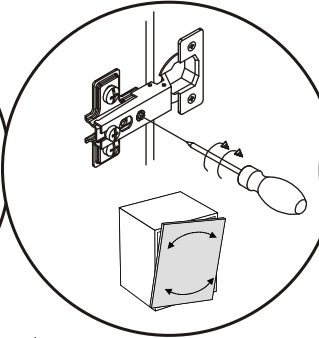
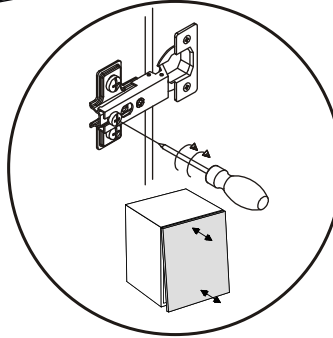
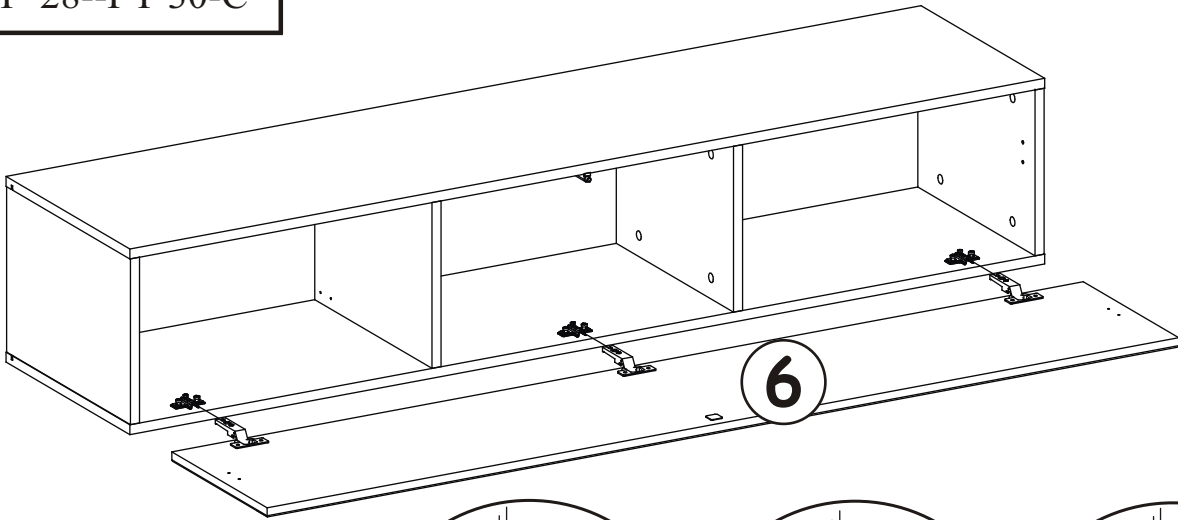
10



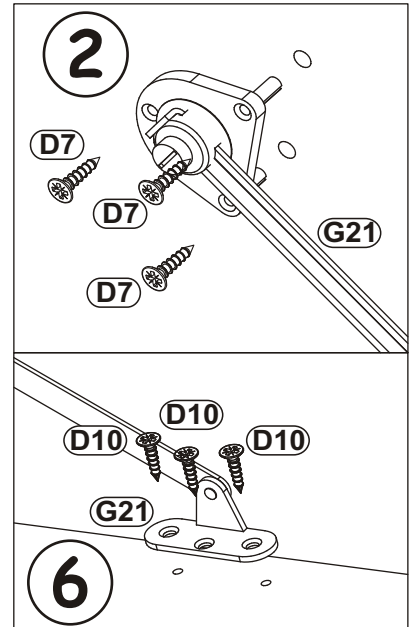
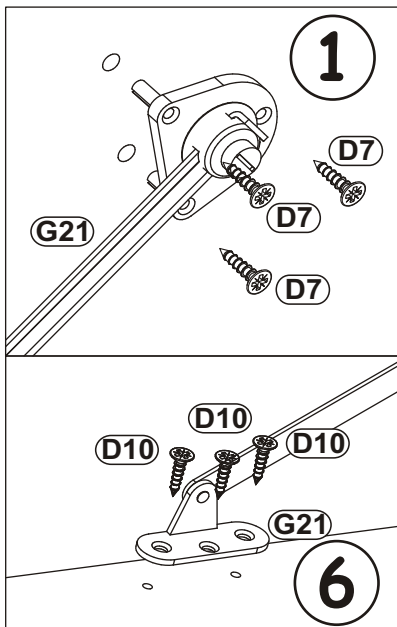
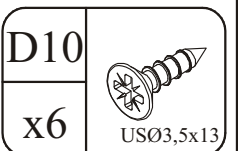
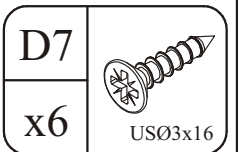
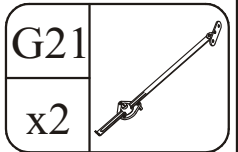
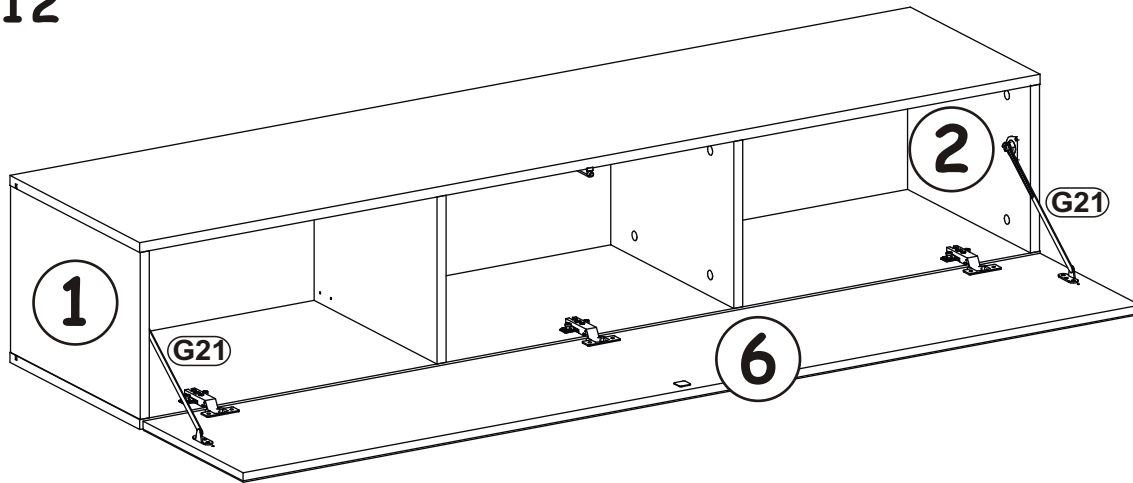
KR2	
x4	



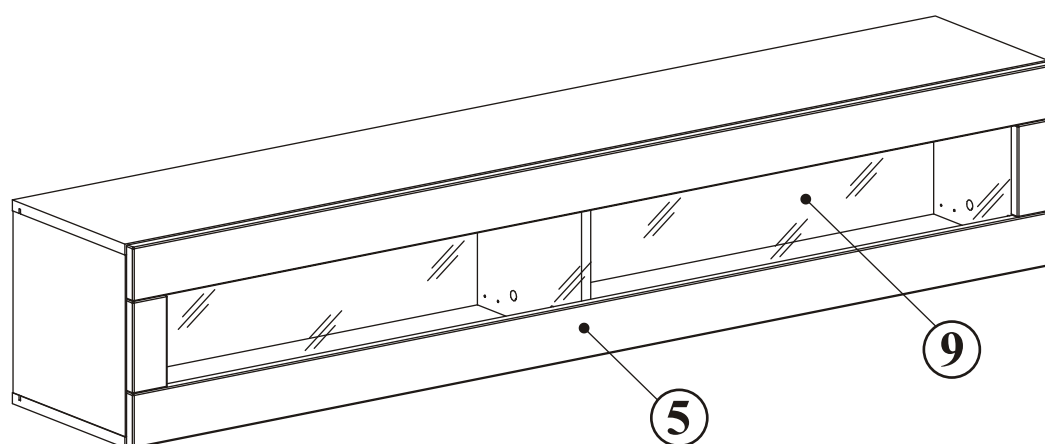
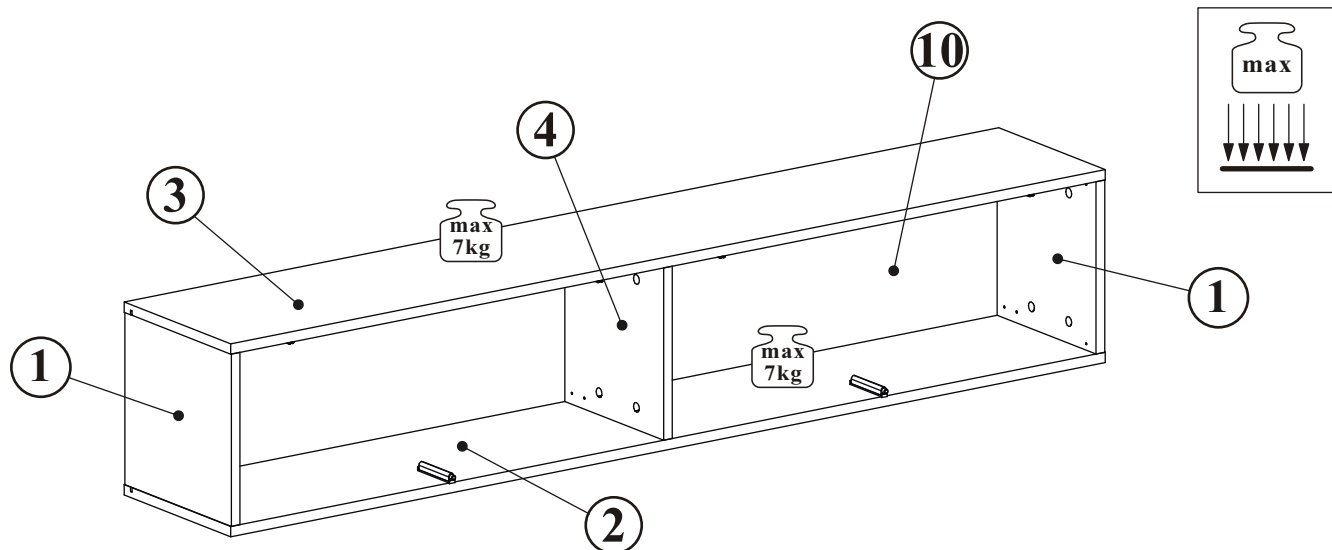
11



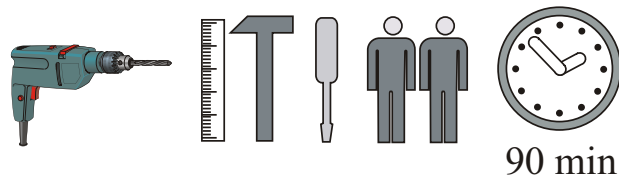
12



FLY 28 -- FY 51B-C

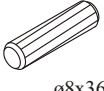
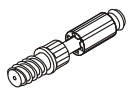


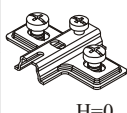
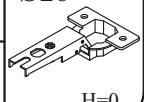

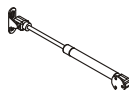
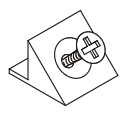
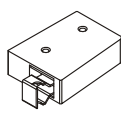





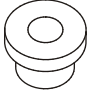


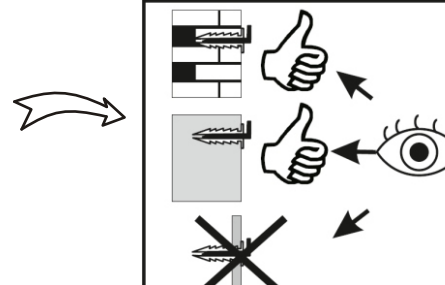
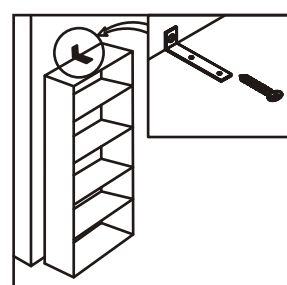
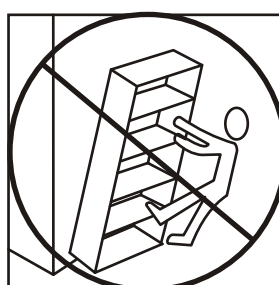
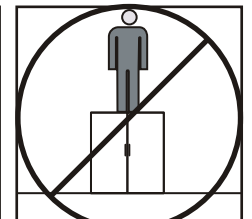
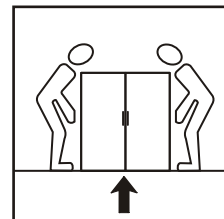
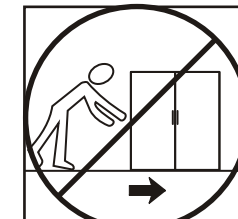
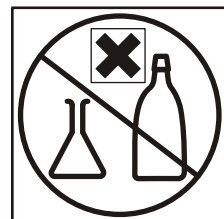
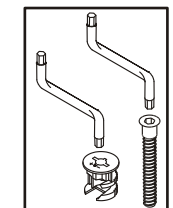
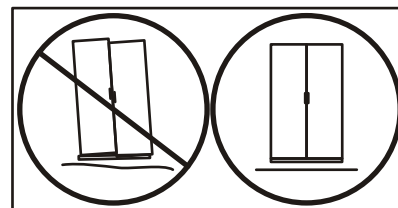
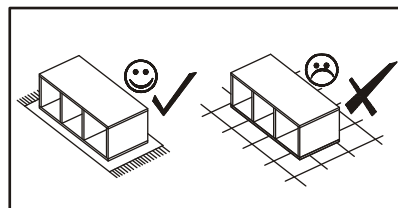
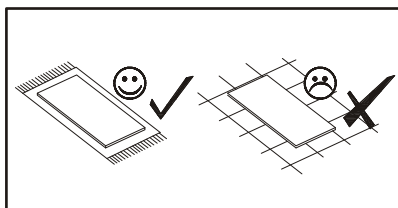
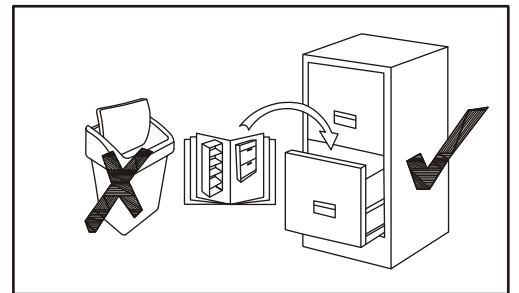
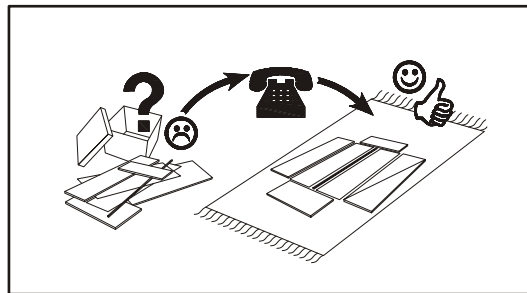
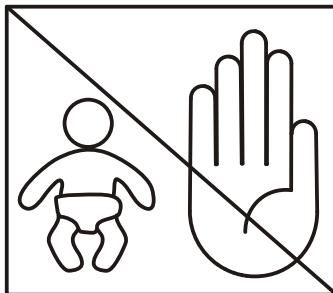
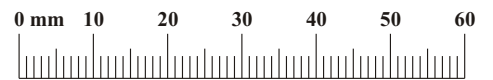
NO	Dim.		Col.-No	Qty
1	268	274	1	2
2	1602	274	1	1
3	1602	274	1	1
4	268	244	1	1
10	1580	280	1	1
5	1596	296	1	1
9	1496	176	1	1



90 min

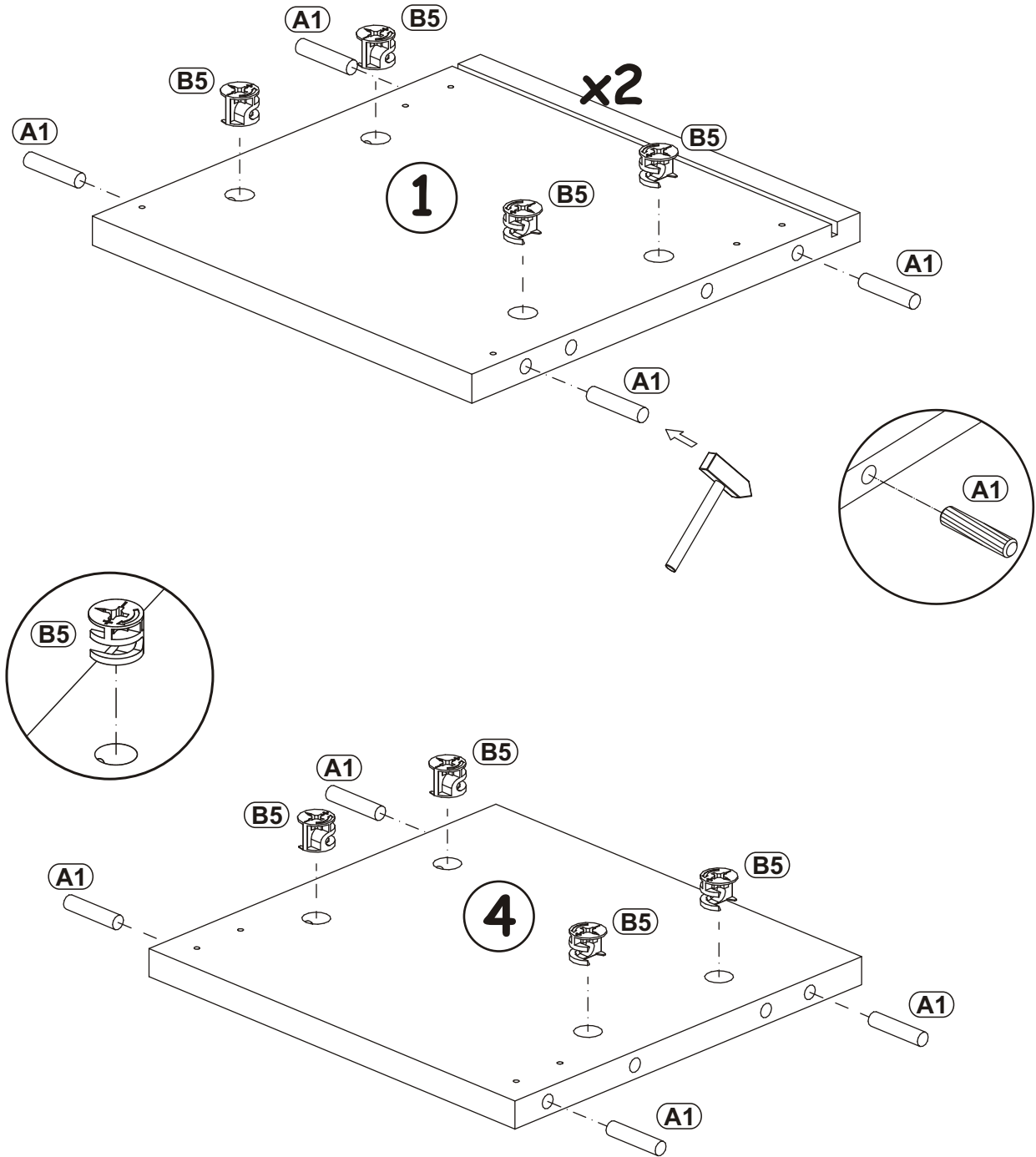
FLY 28--FY 51B-C

A1 x12  ø8x36	B4 x12 	B5 x12  ø15x12	G5 x12 	E2 x4  H=0	E1 x4  Ø26 H=0
T1 x2 	BO1 x2 	S1 x12 	ZR1 x3 	D6 x6  USØ3,5x30	D10 x22  USØ3,5x13
UP13 x12  UPØ3x16	G2 x1 	KR2 x3 	P2 x10 		

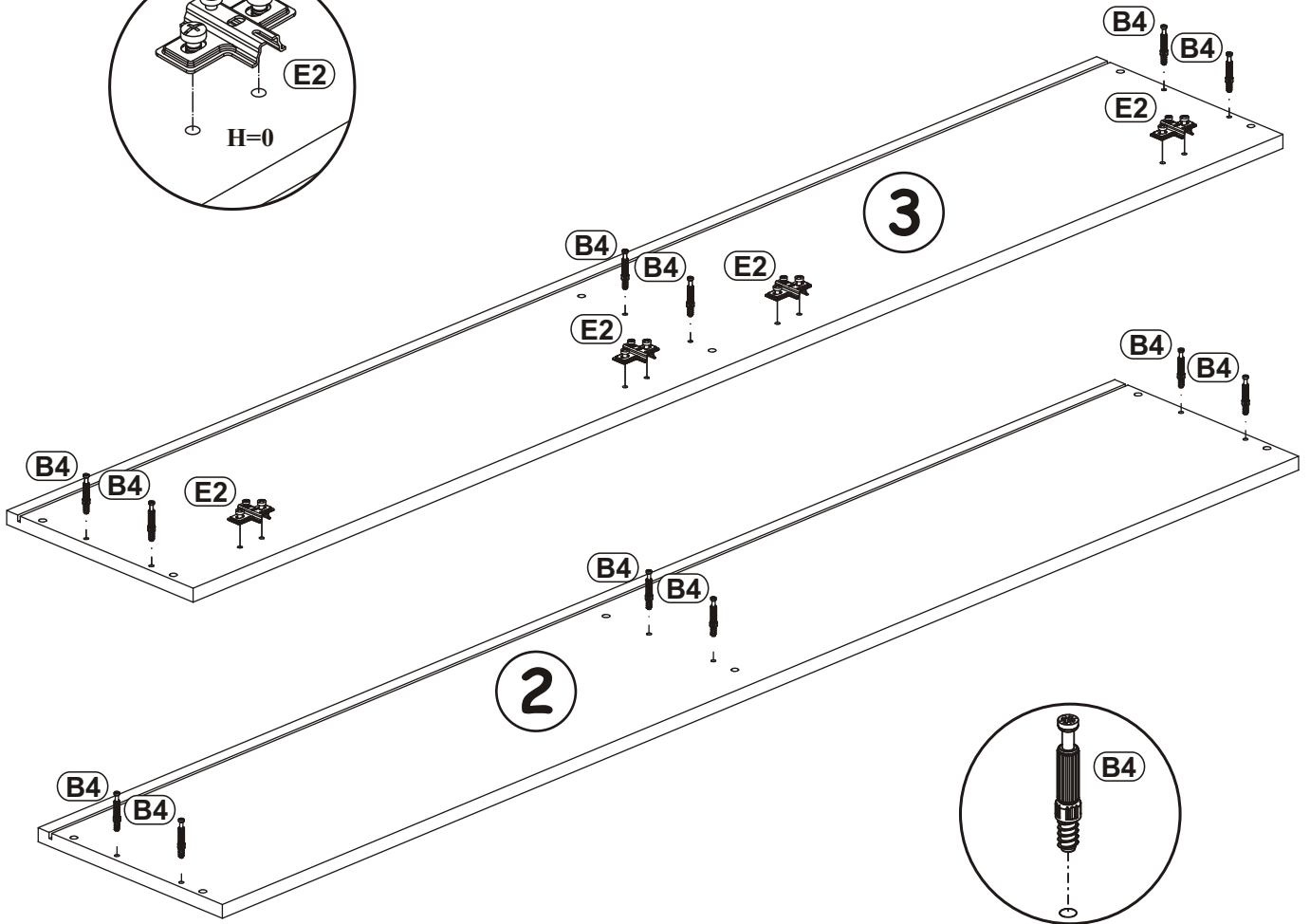
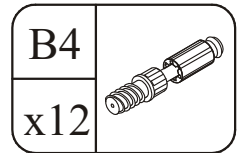
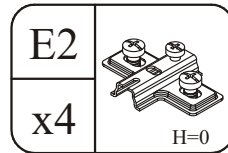
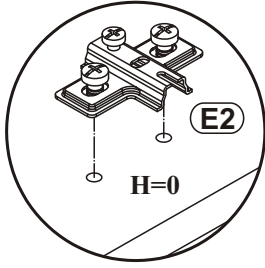


B5		A1	
x12	ø15x12	x12	ø8x36

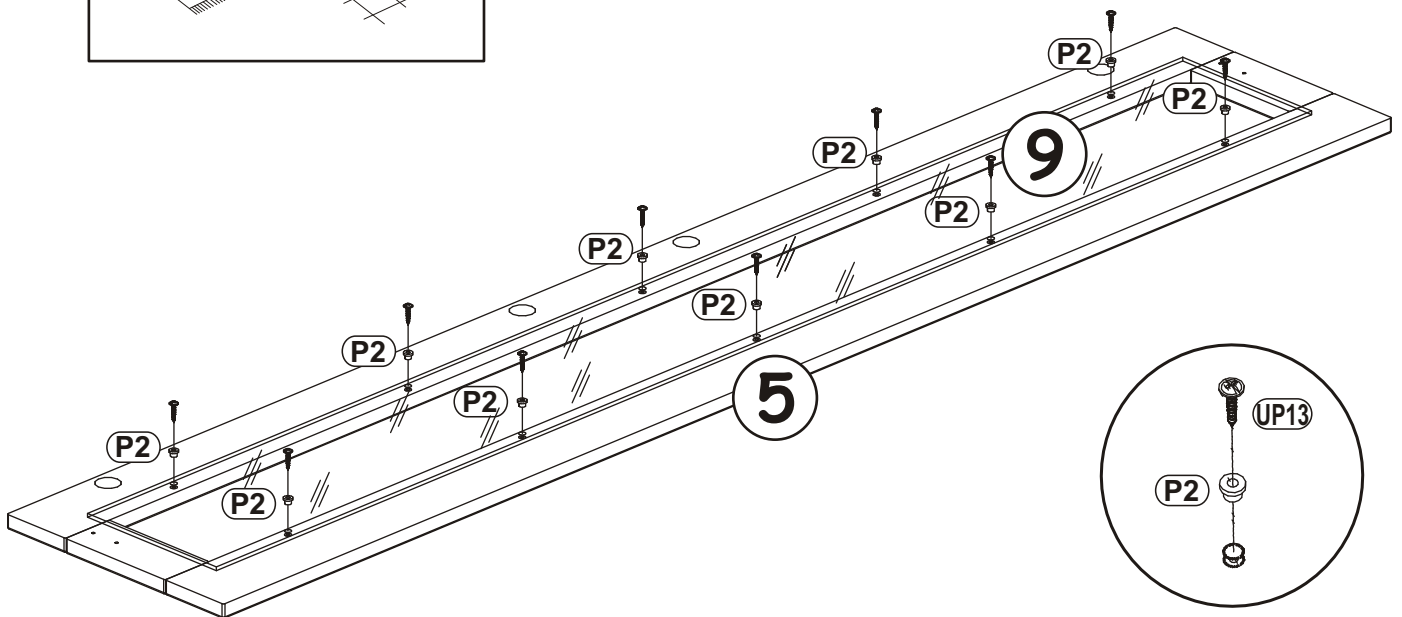
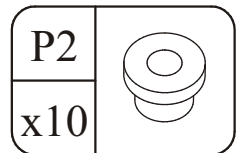
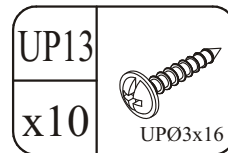
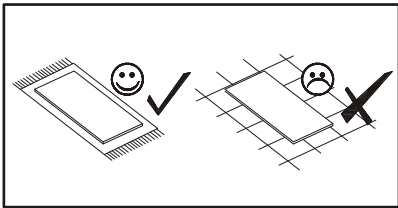
1



2

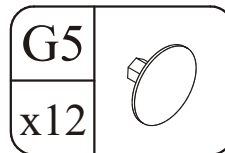
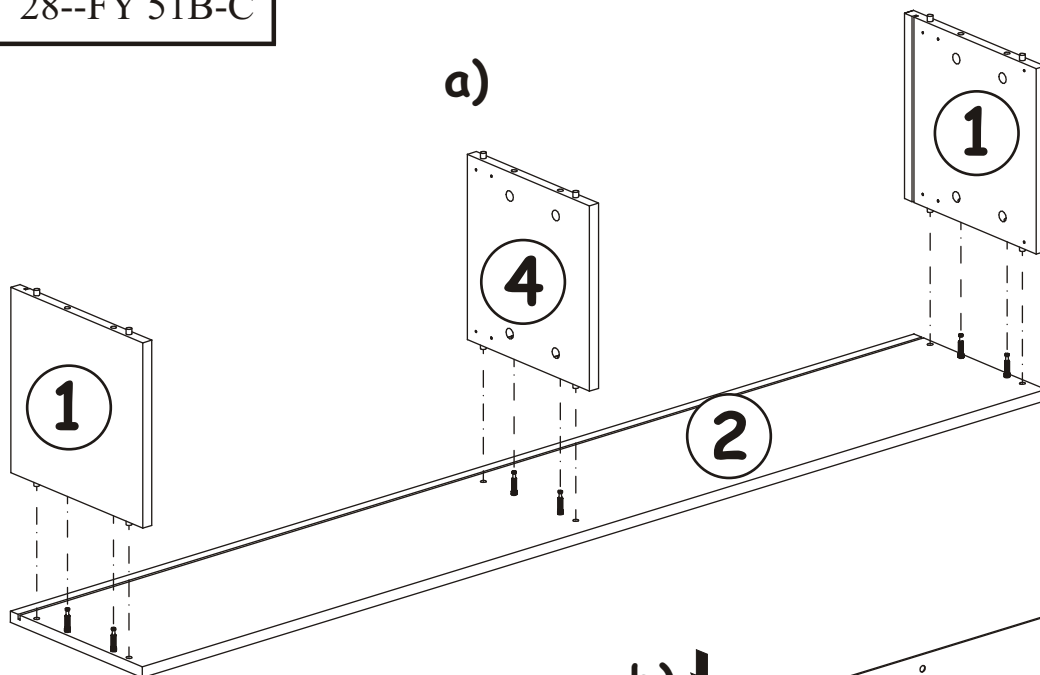


3

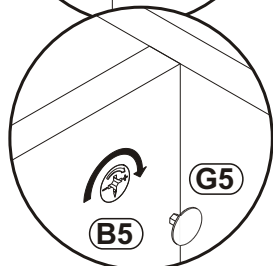
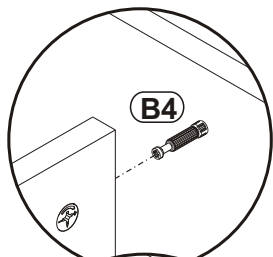
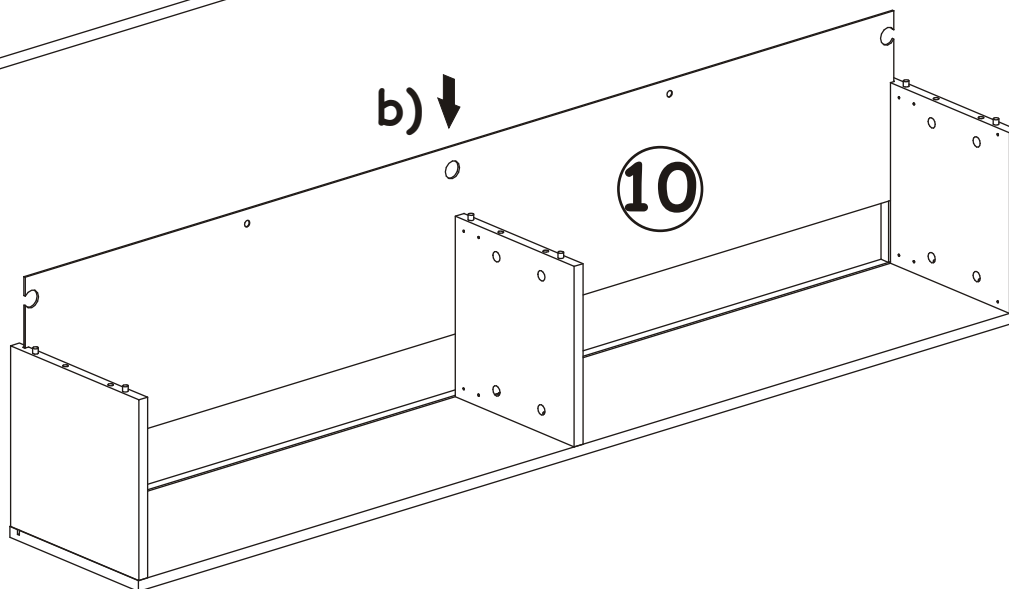


4

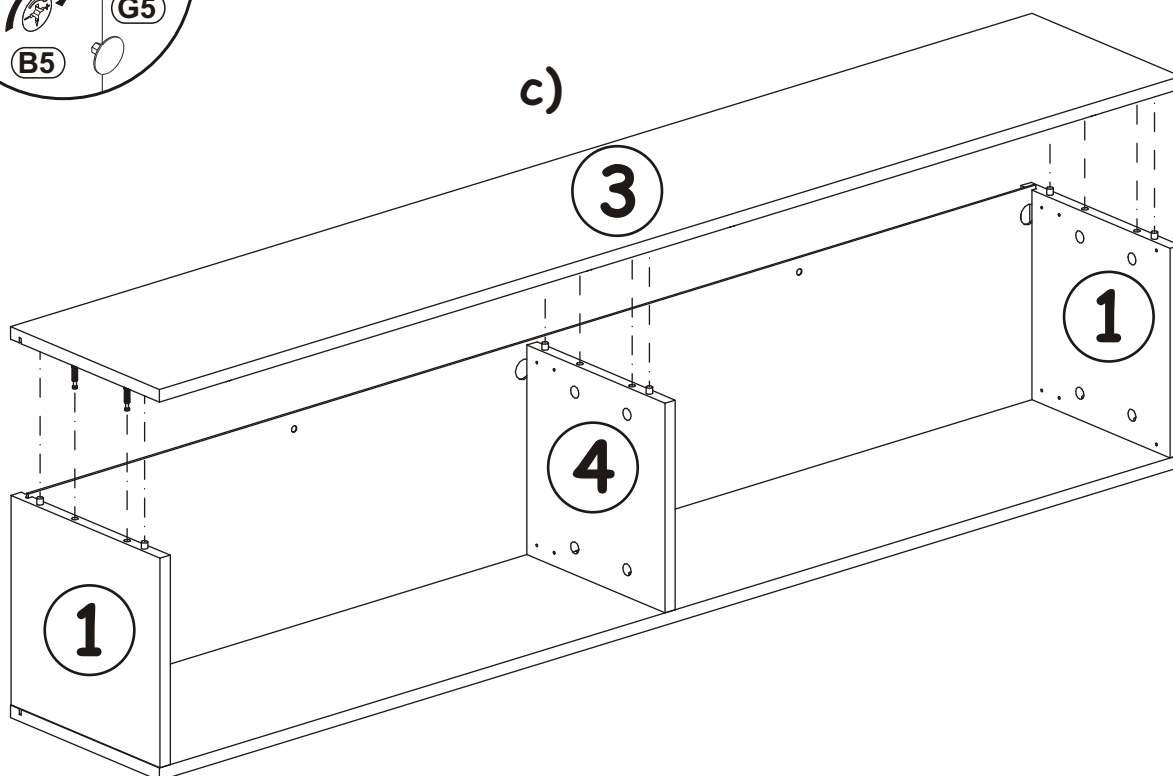
a)



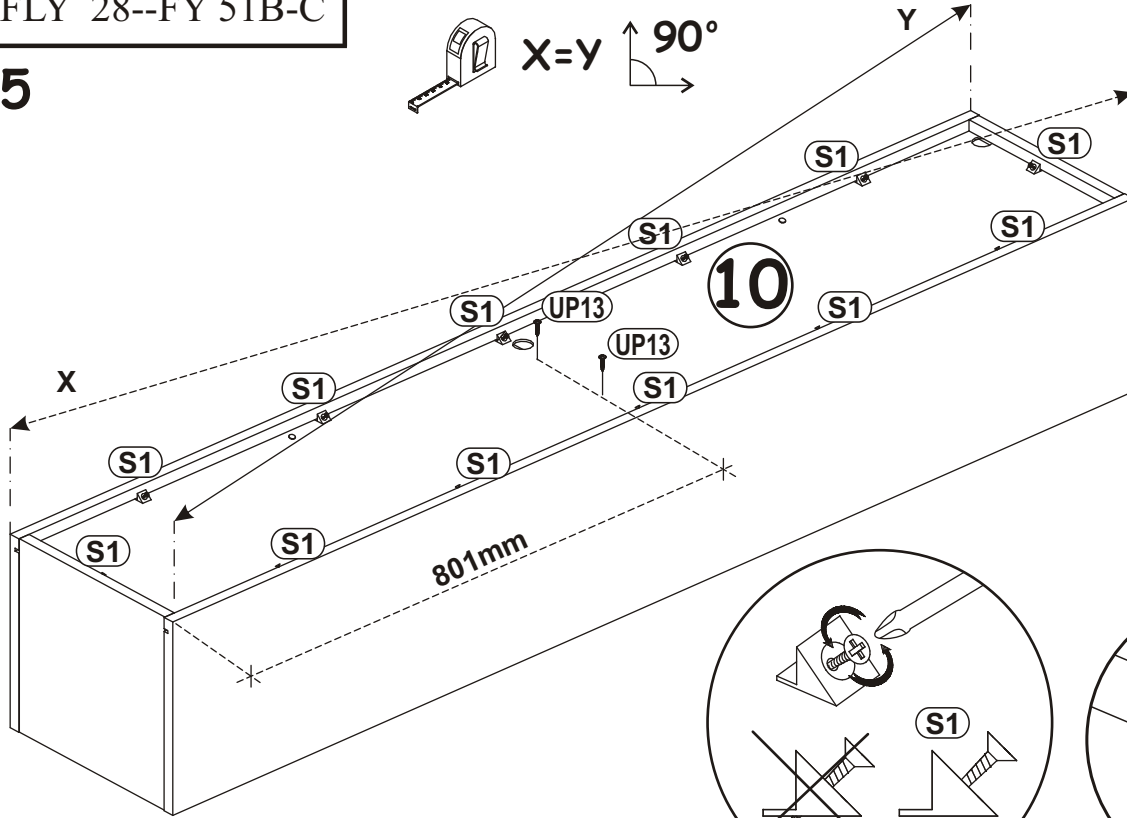
b) ↓



c)

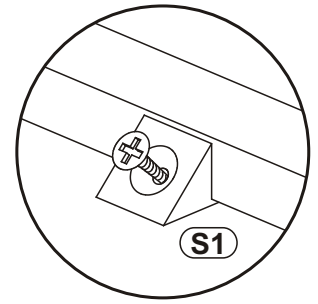
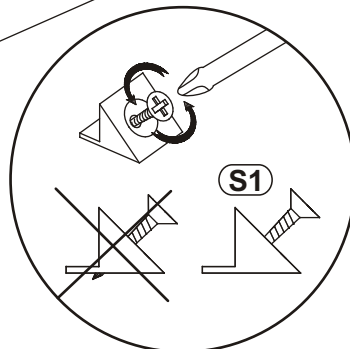
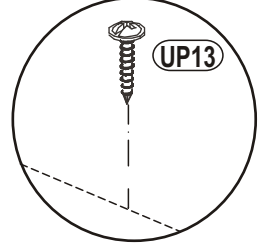


5

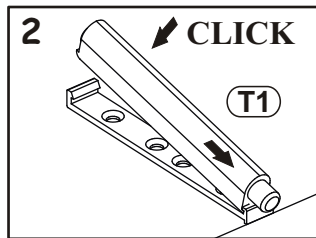
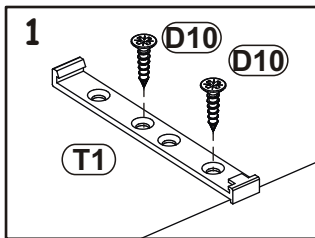


UP13	
x2	UPØ3x16

S1	
x12	



6

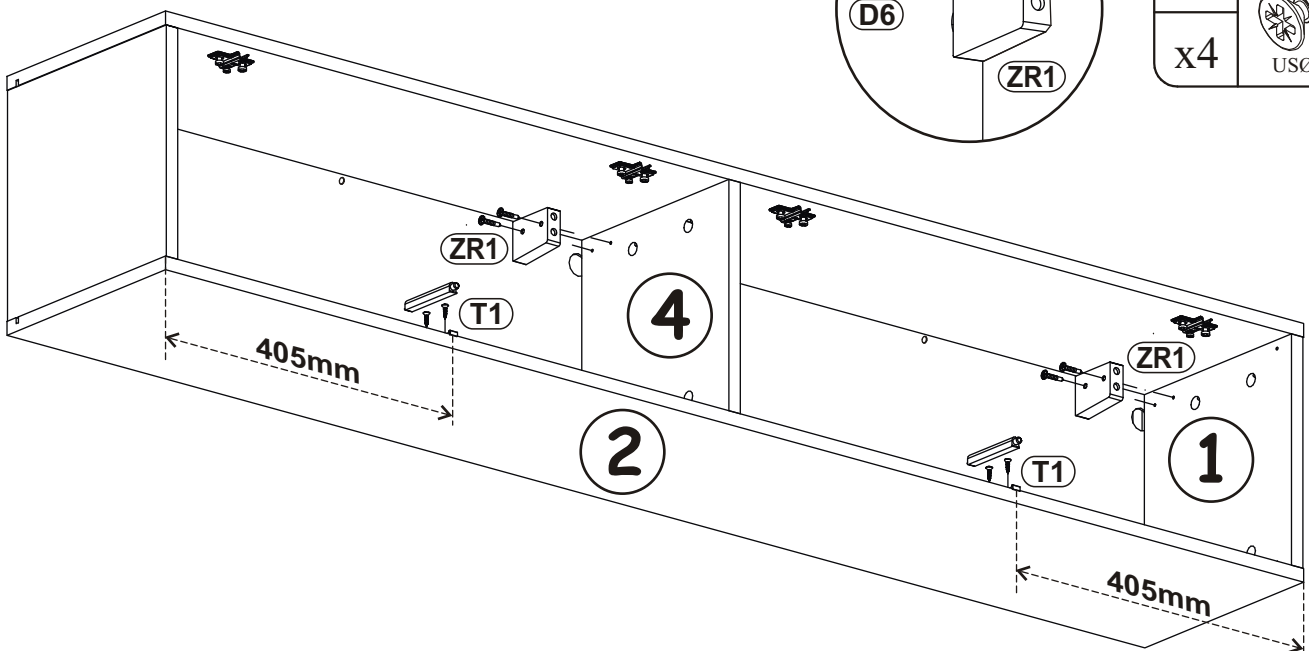
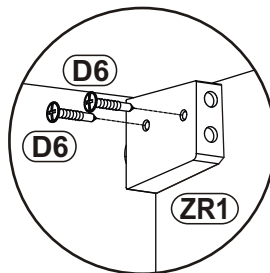


ZR1	
x2	

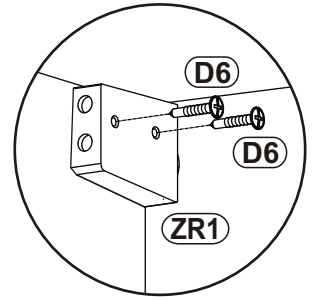
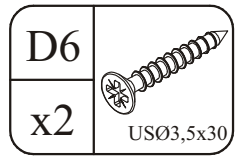
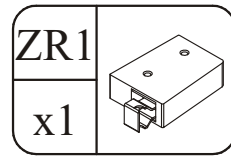
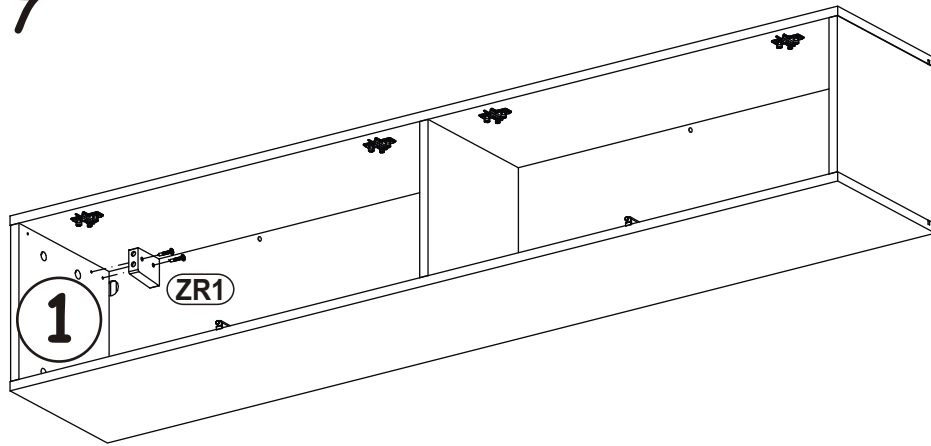
D6	
x4	USØ3,5x30

T1	
x2	

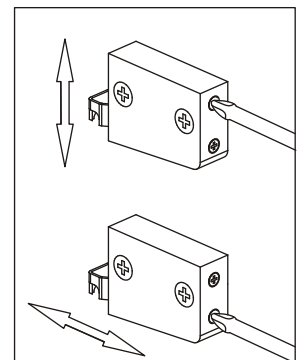
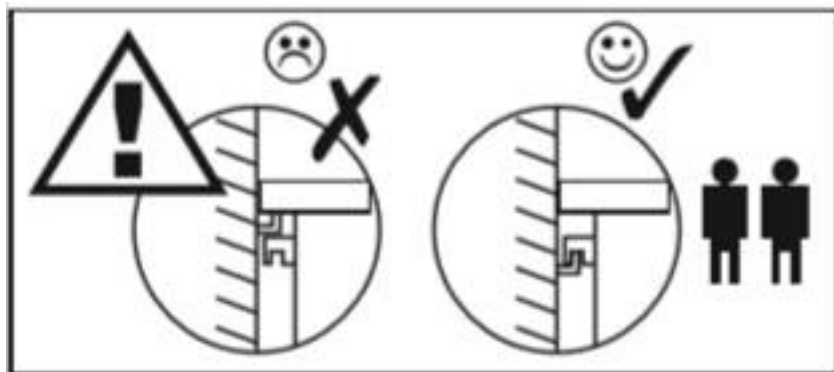
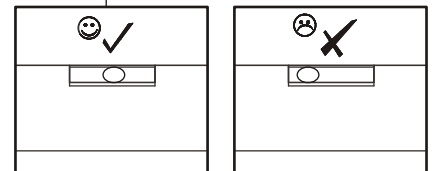
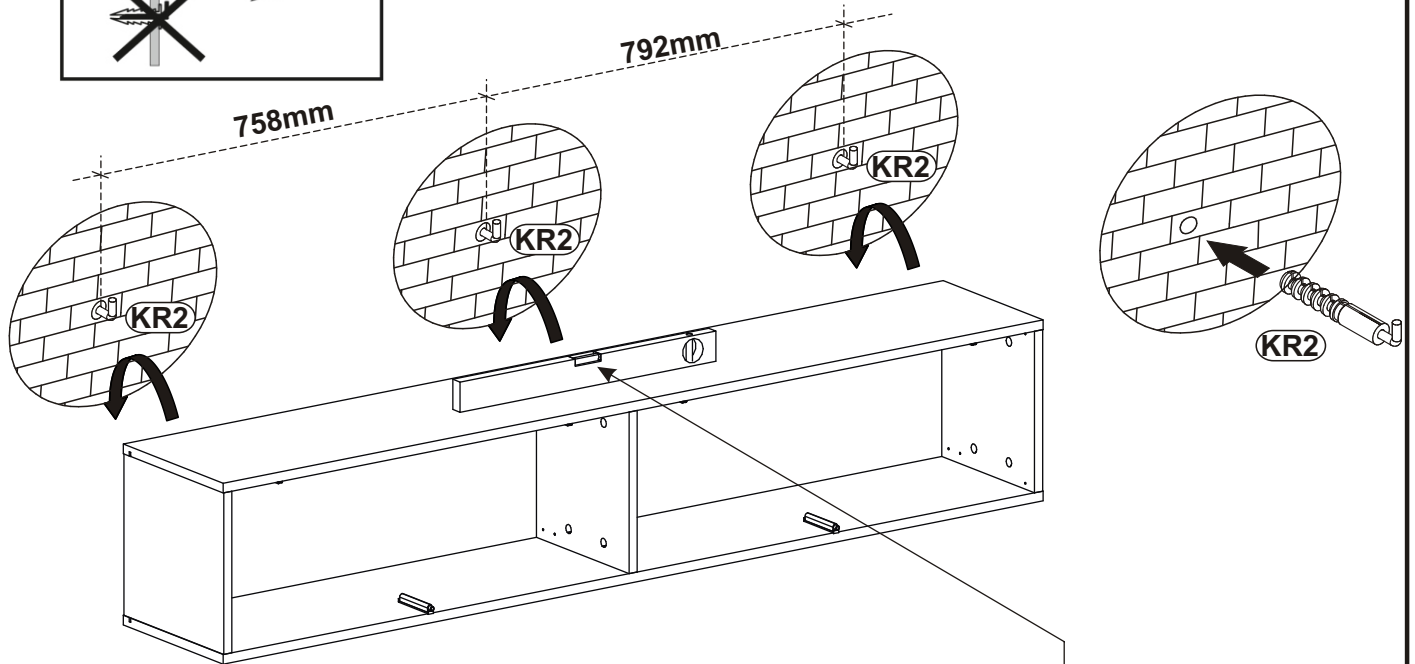
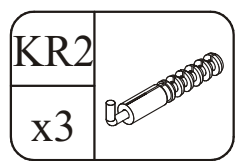
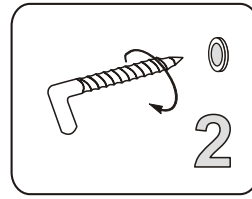
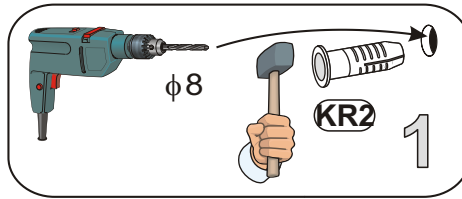
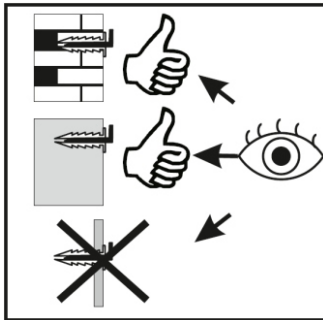
D10	
x4	USØ3,5x13



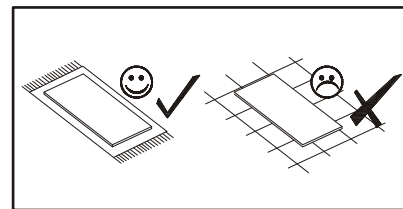
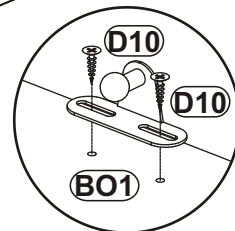
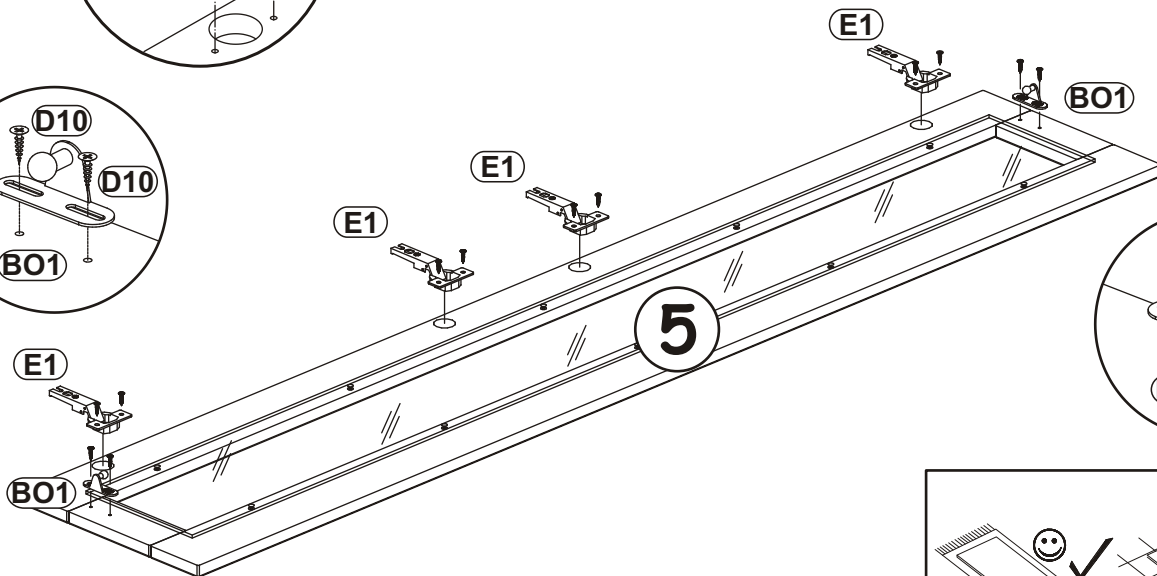
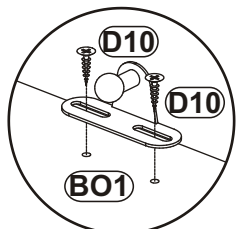
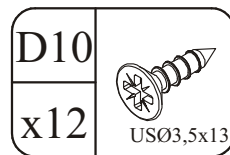
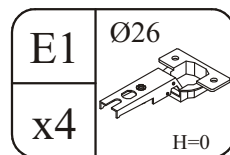
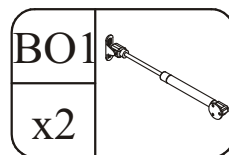
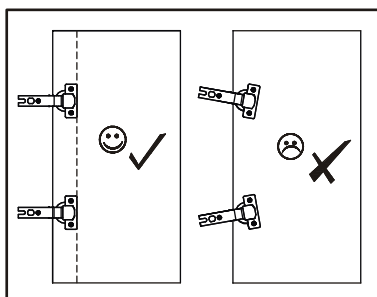
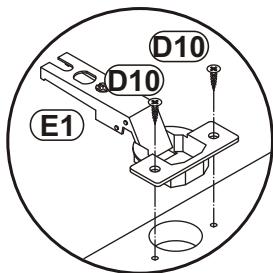
7



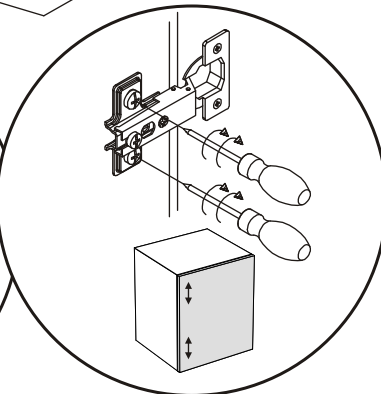
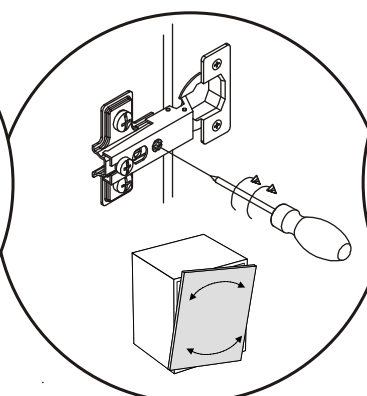
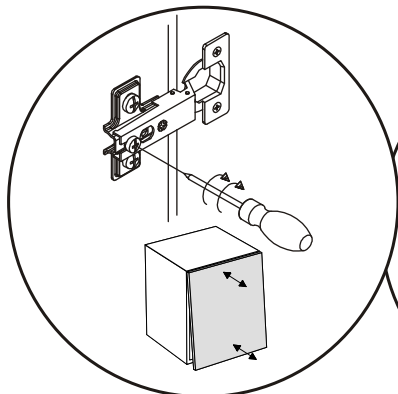
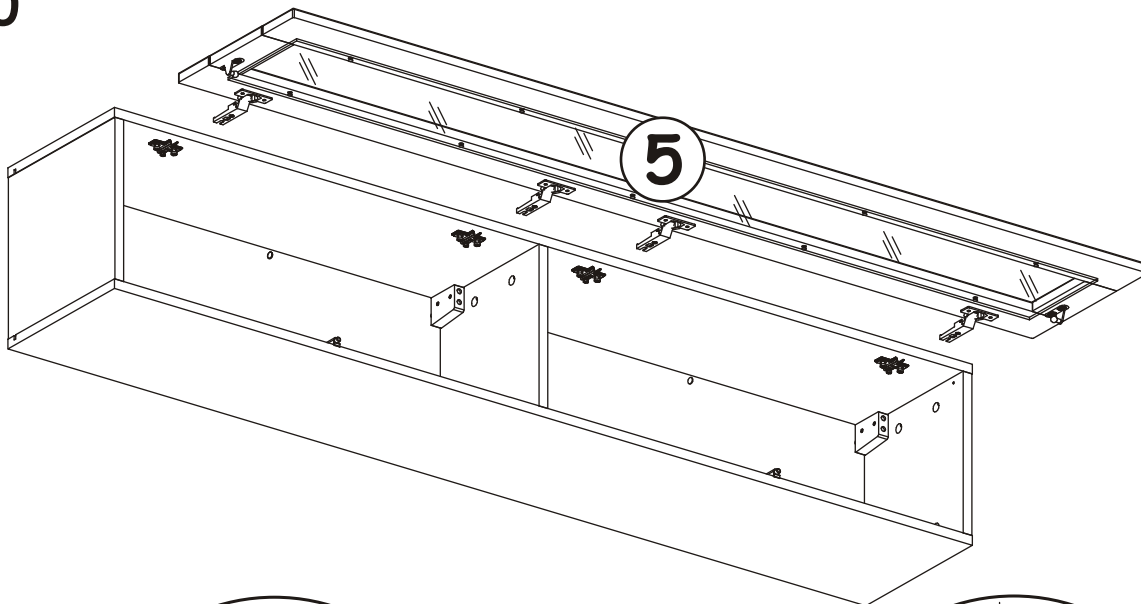
8



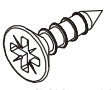
9

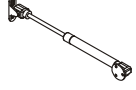


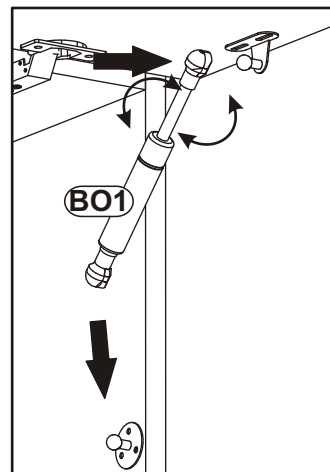
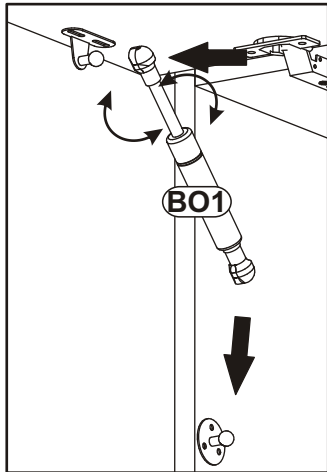
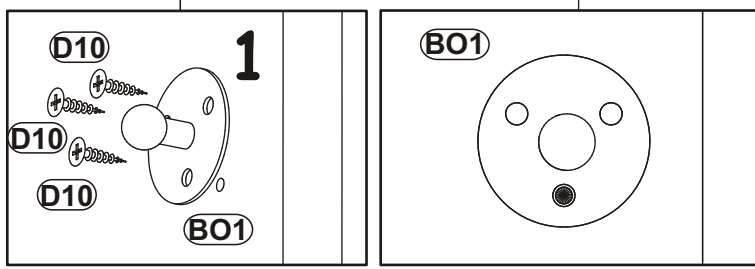
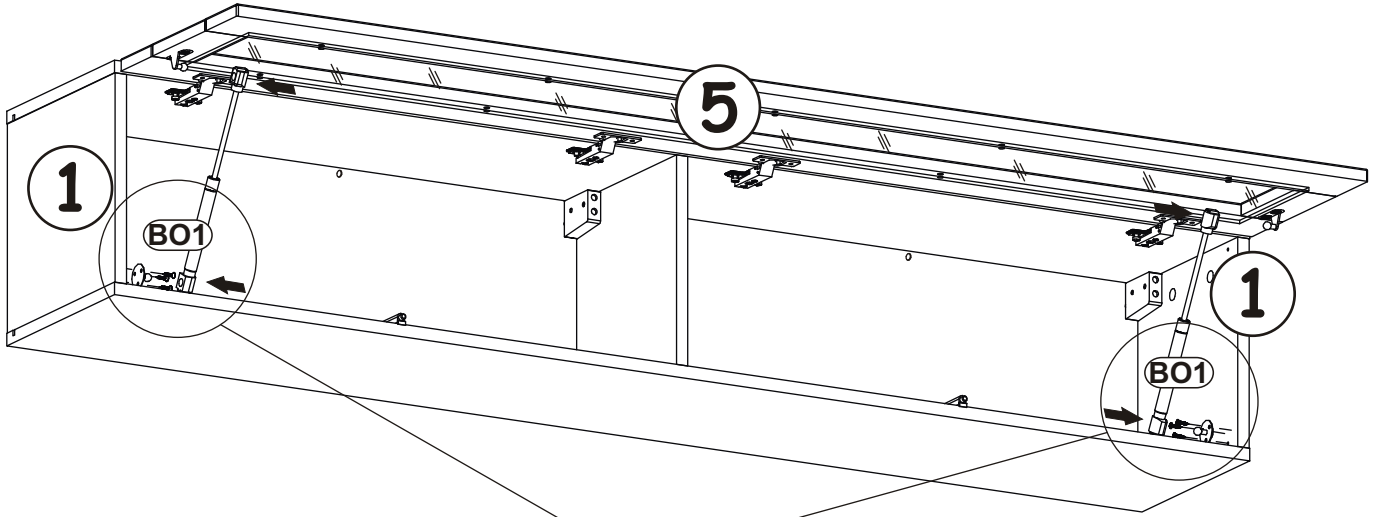
10



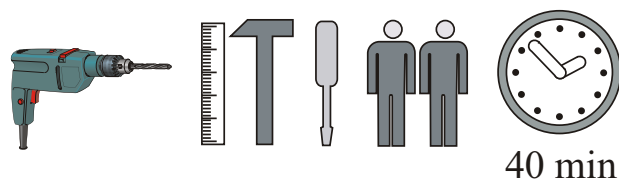
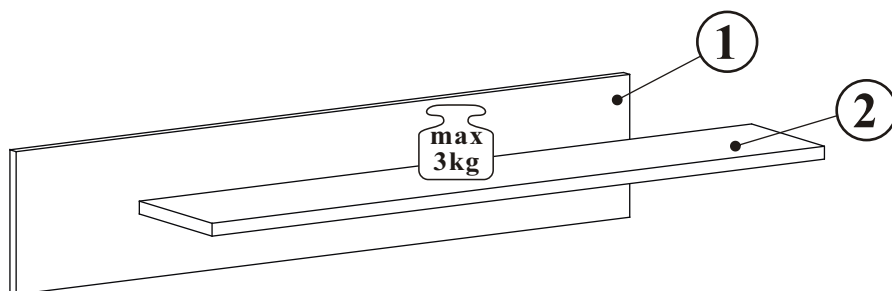
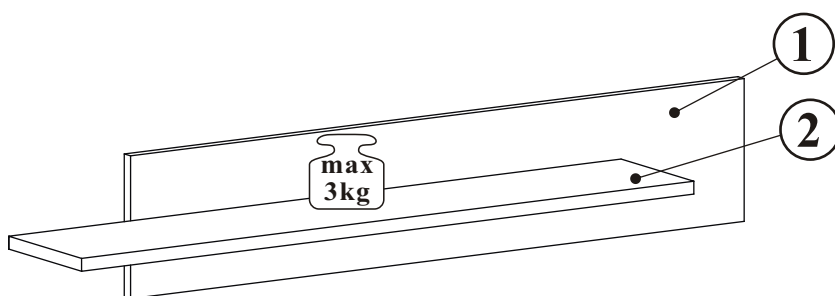
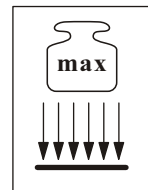
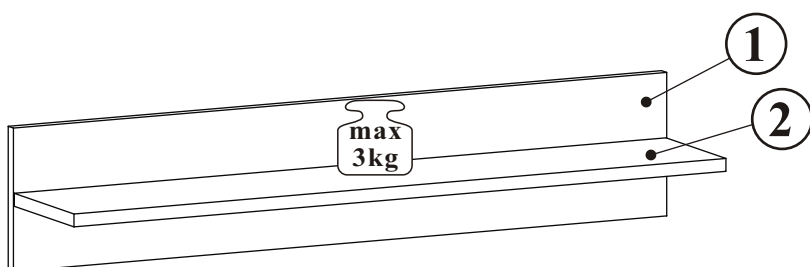
11

D10	
x6	USØ3,5x13

BO1	
x2	

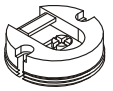







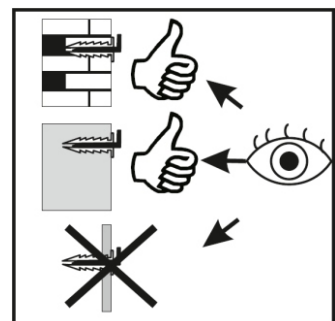
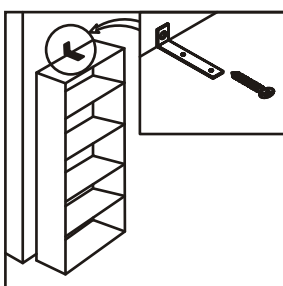
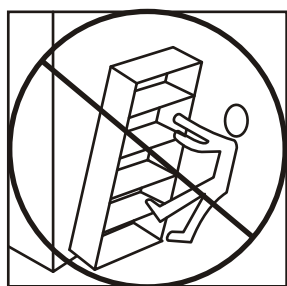
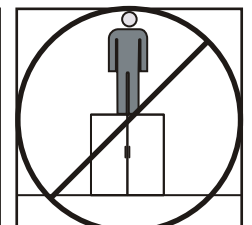
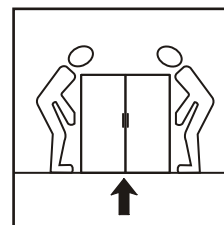
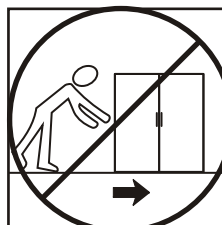
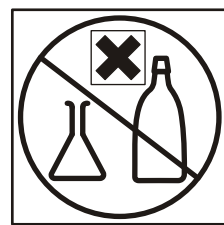
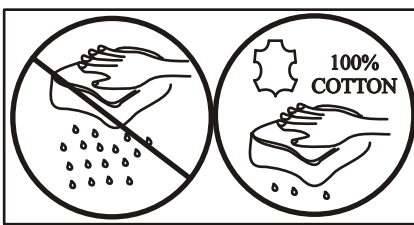
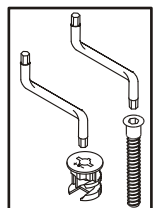
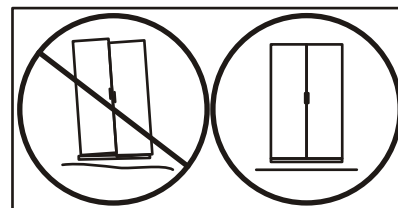
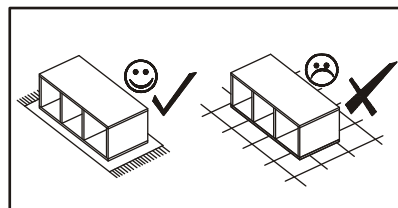
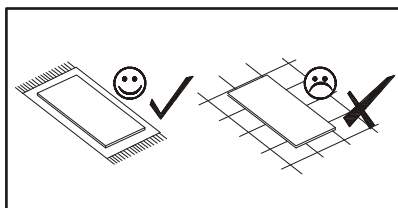
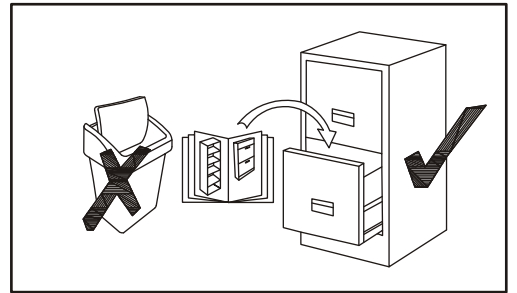
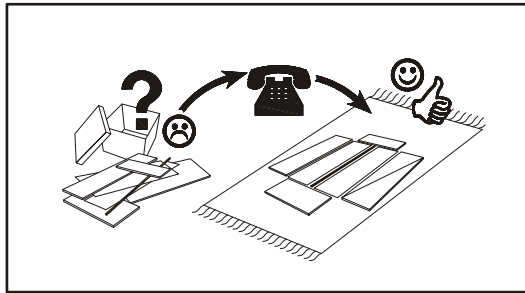
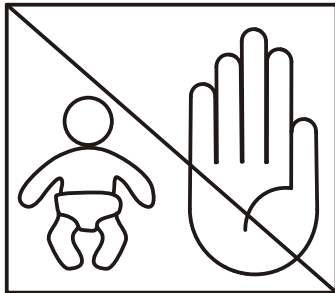
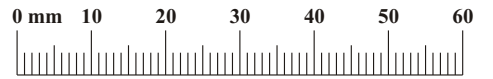
GALINO 23_MX



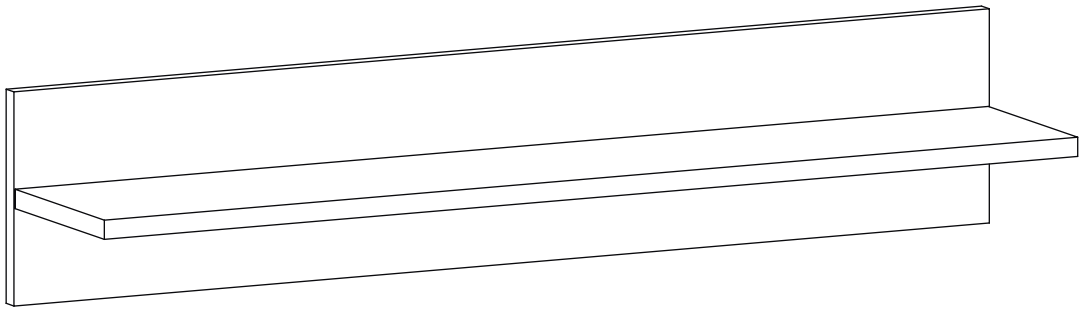
NO	Dim.		Col.-No	Qty
1	1002	200	1	2
2	1000	185	1	2

GALINO 23_MX

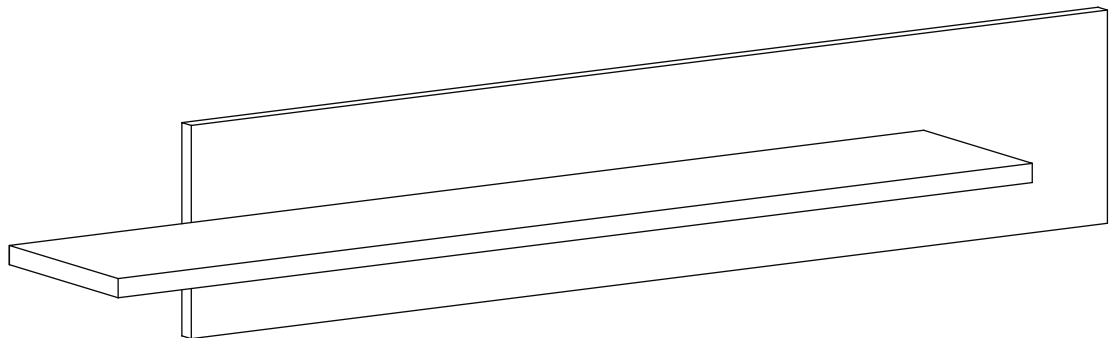
ZM1 x4		D20 x8	 ESØ6x9,5	B11 x12	 Ø7x50	G4 x12		KR2 x4		G2 x1	
-----------	---	-----------	---	------------	--	-----------	---	-----------	---	----------	---



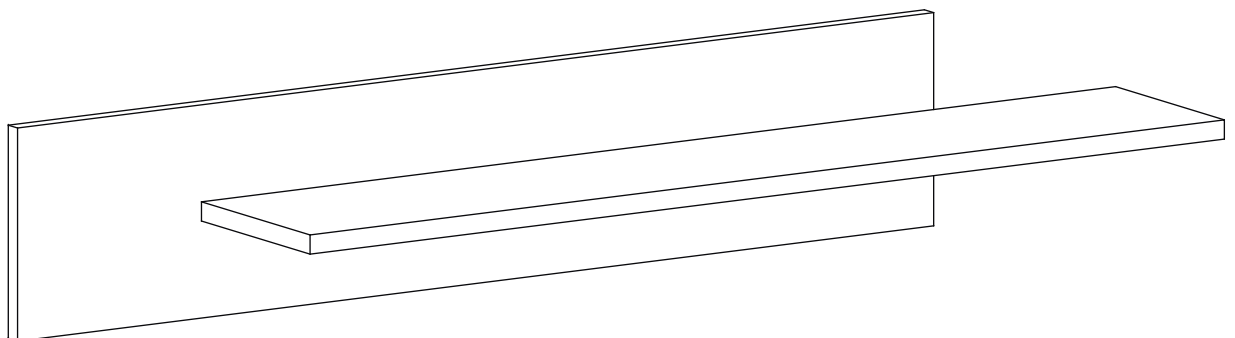
1-3



4-6

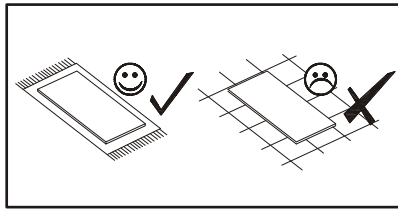


7-9

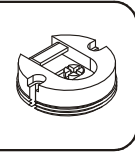


GALINO 23_MX

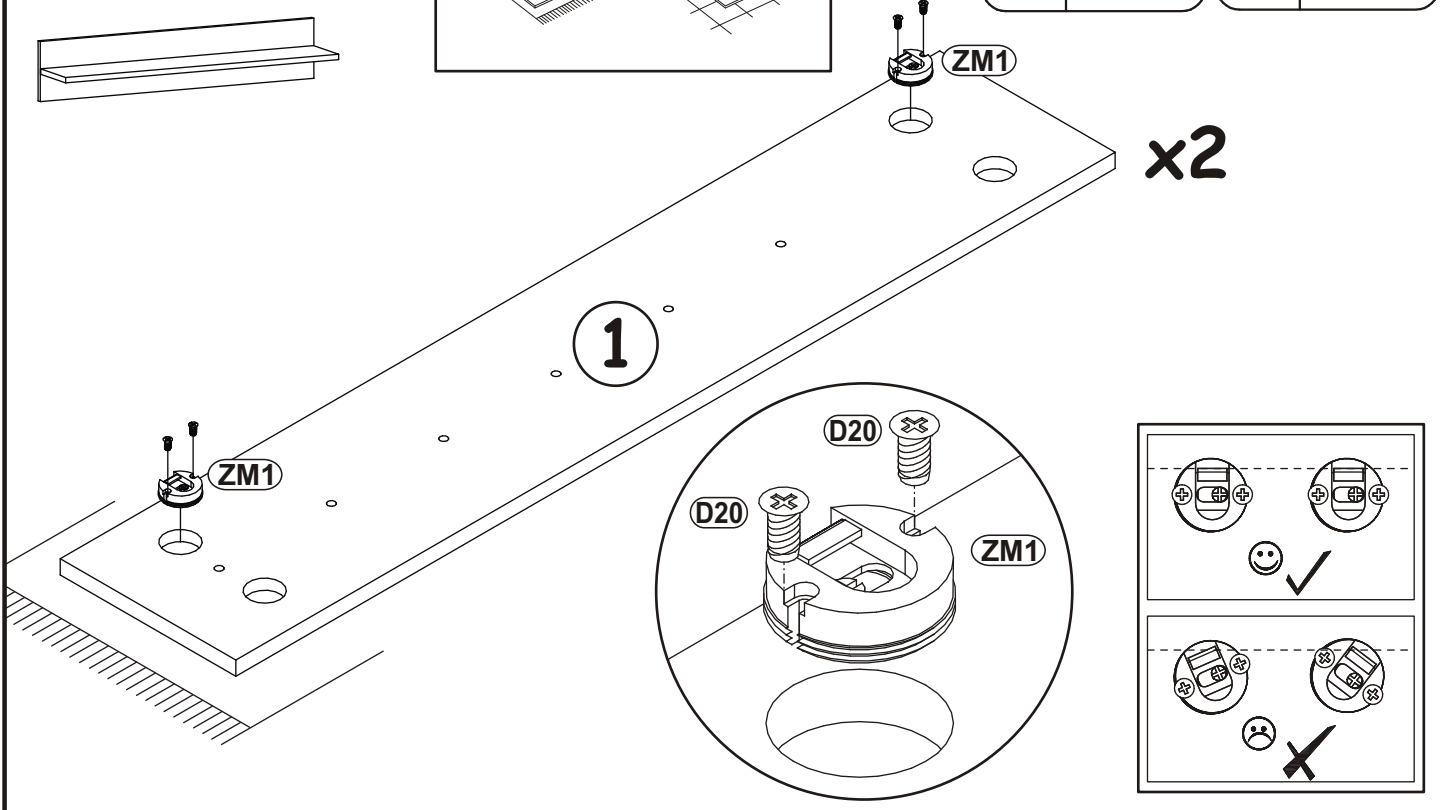
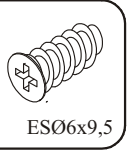
1



ZM1
x4

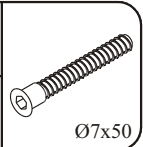


D20
x8

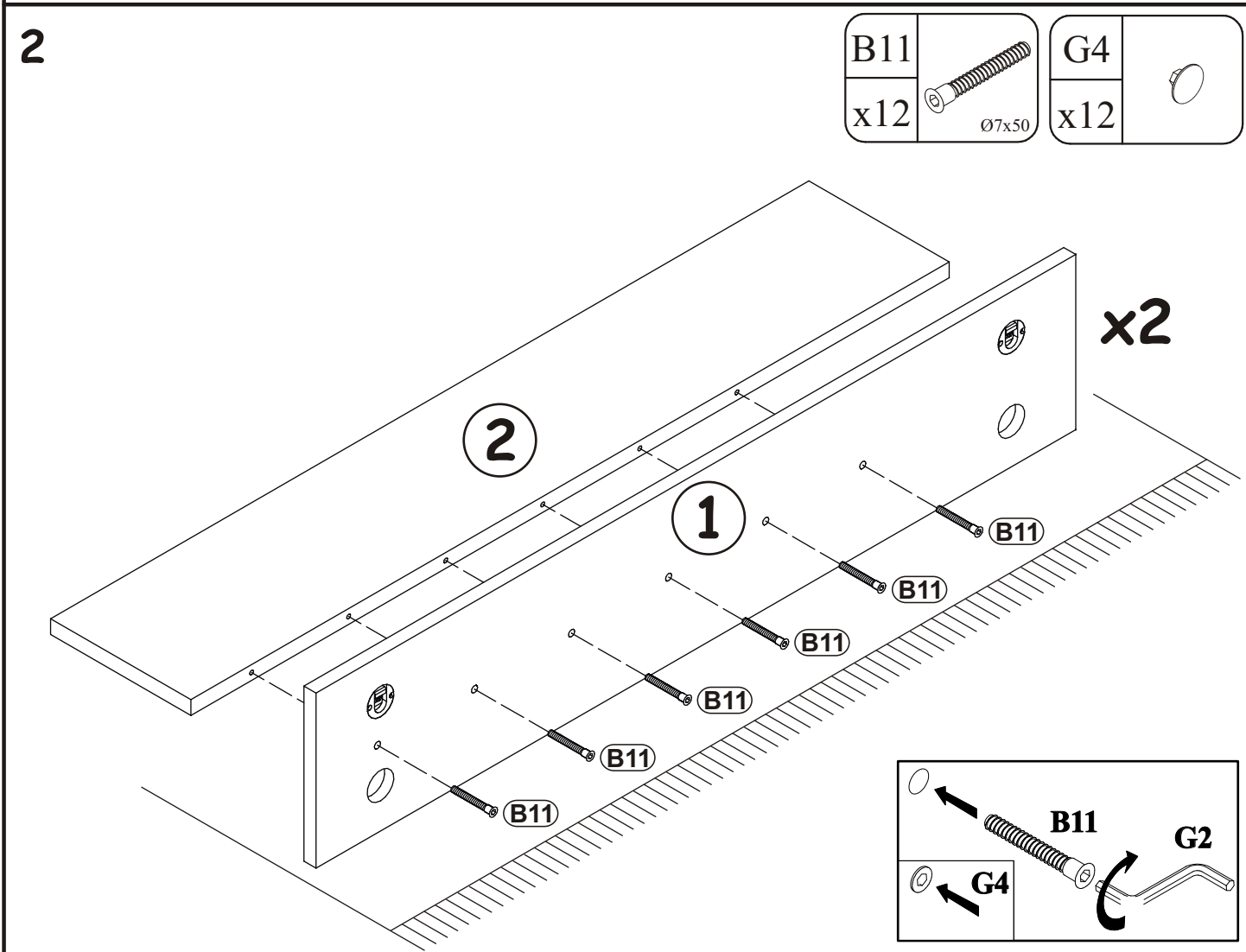
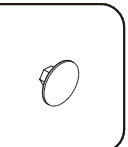


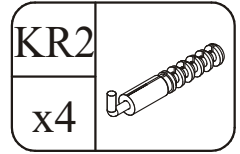
2

B11
x12

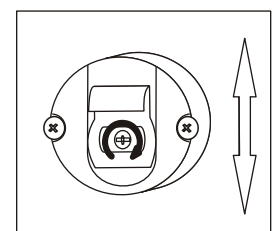
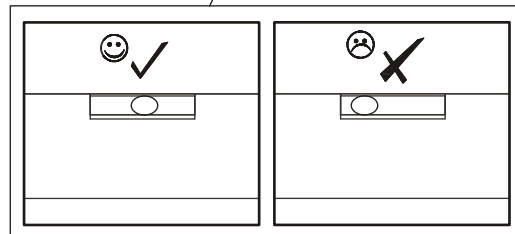
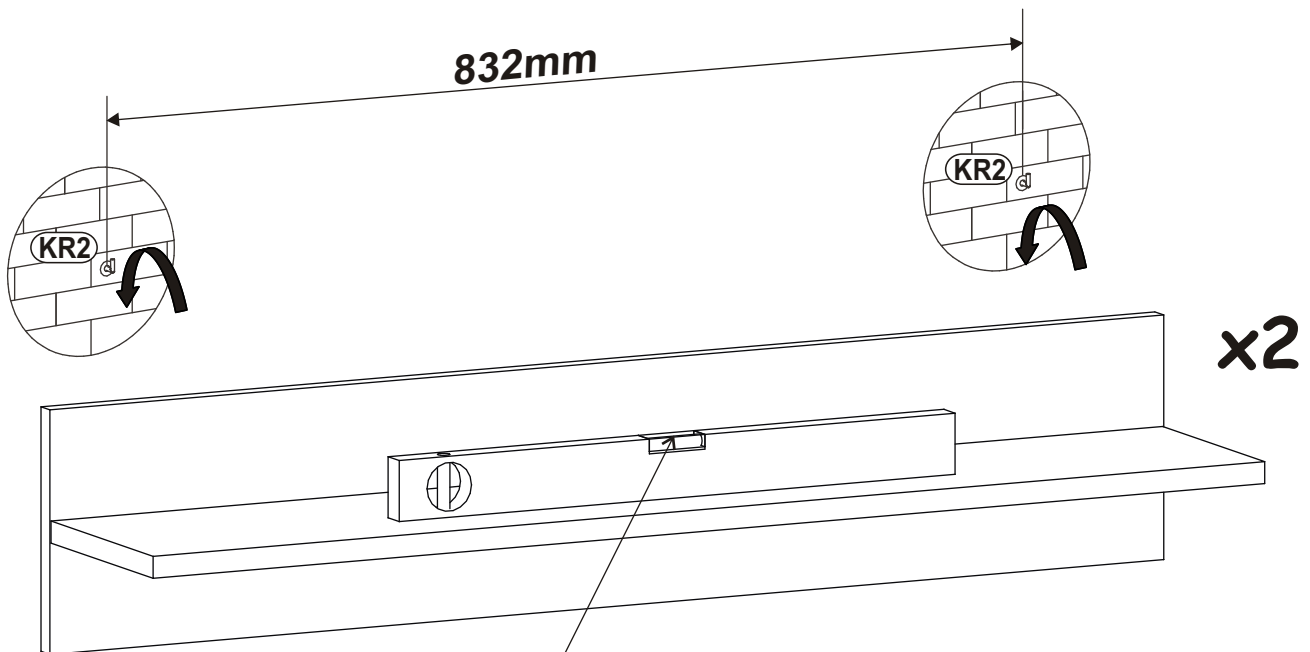
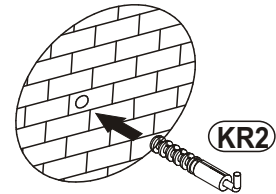
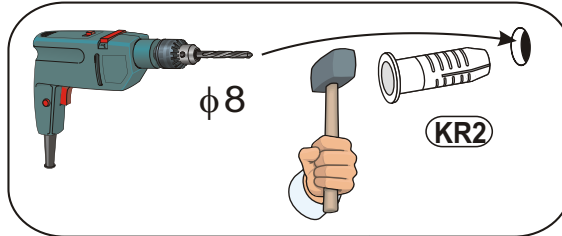
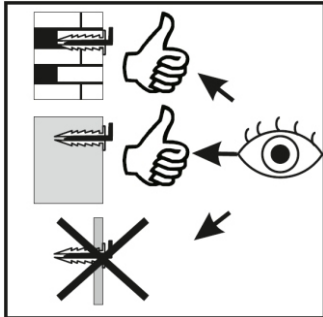


G4
x12

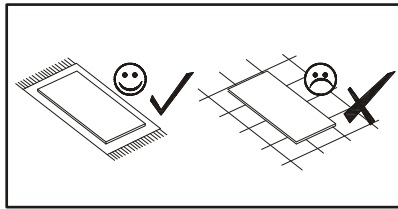




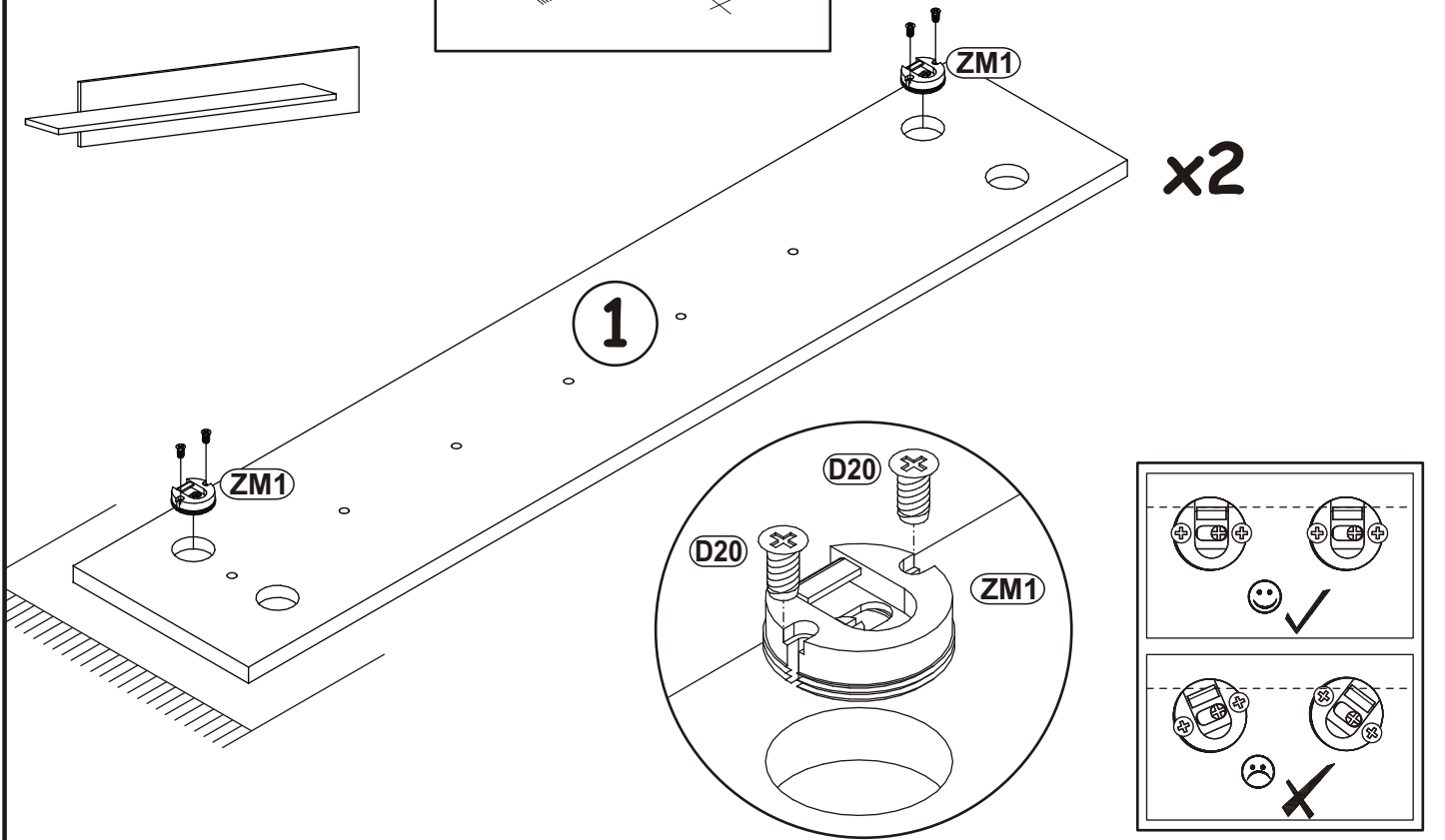
3



4

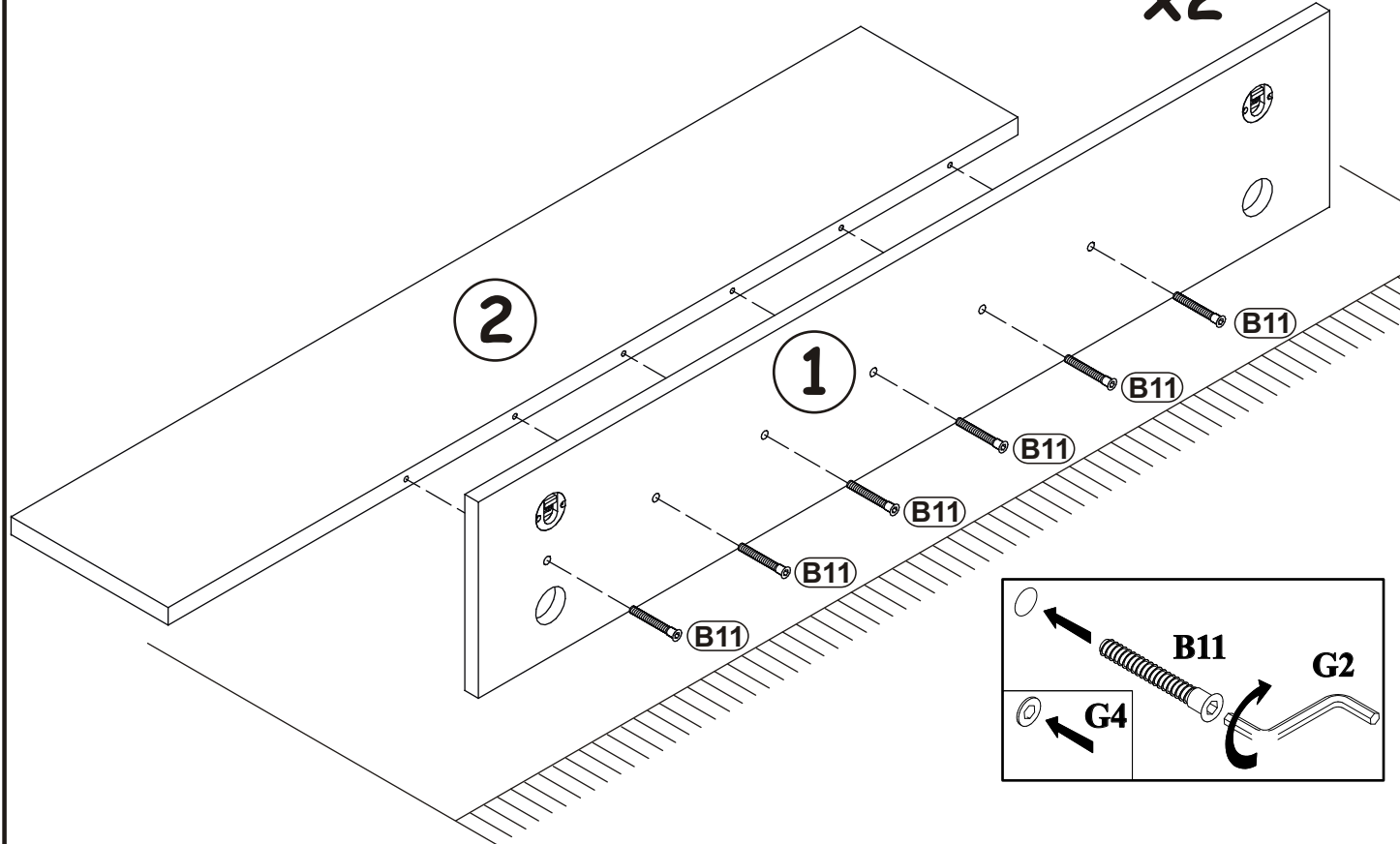


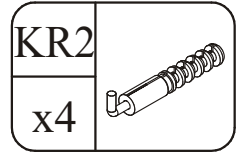
ZM1		D20	
x4		x8	ESØ6x9,5



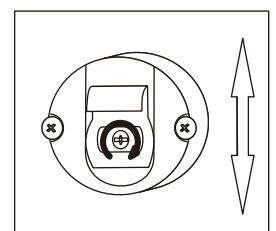
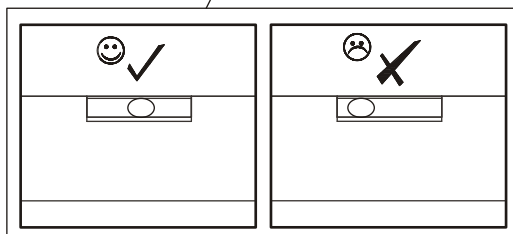
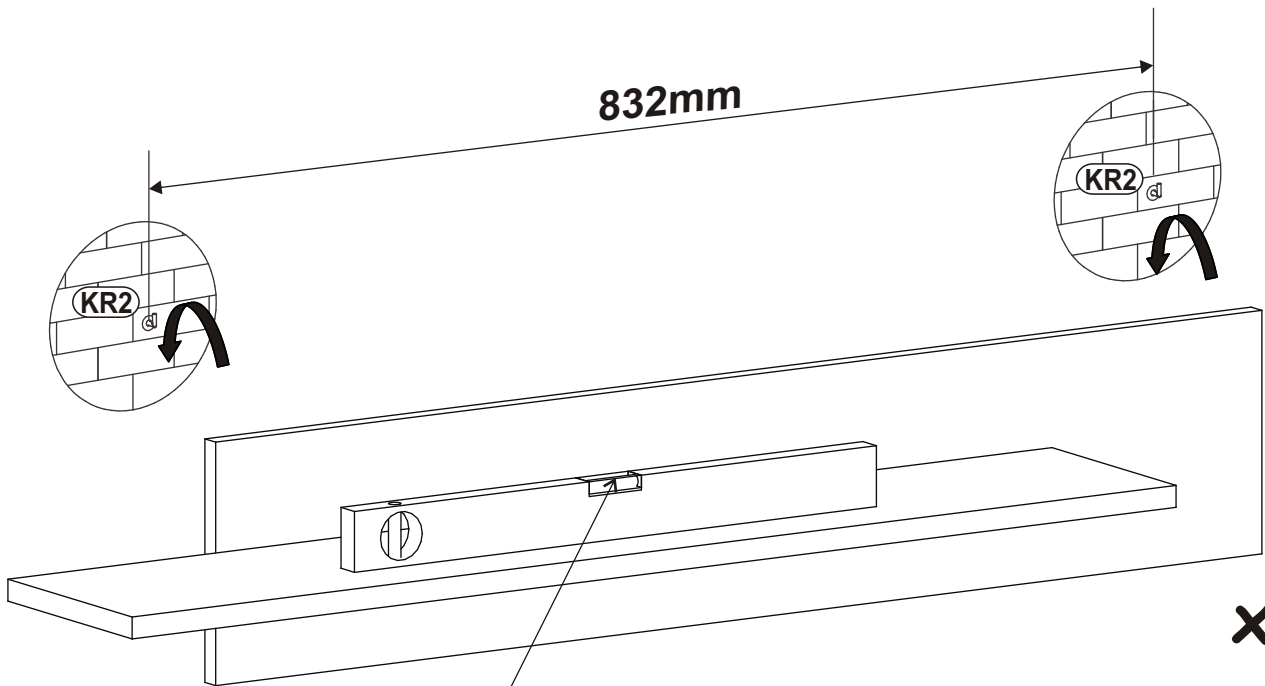
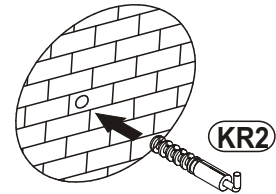
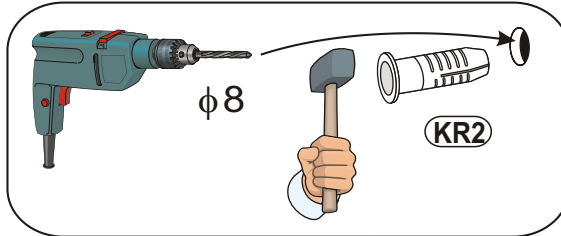
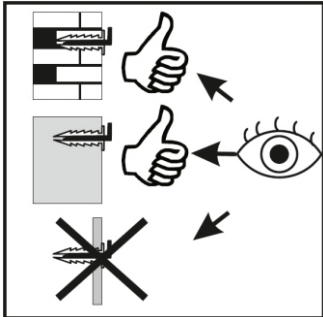
5

B11		G4	
x12	Ø7x50	x12	

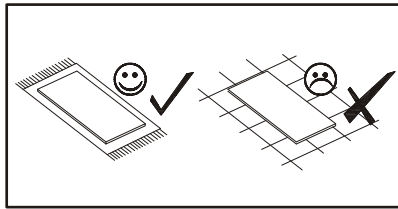




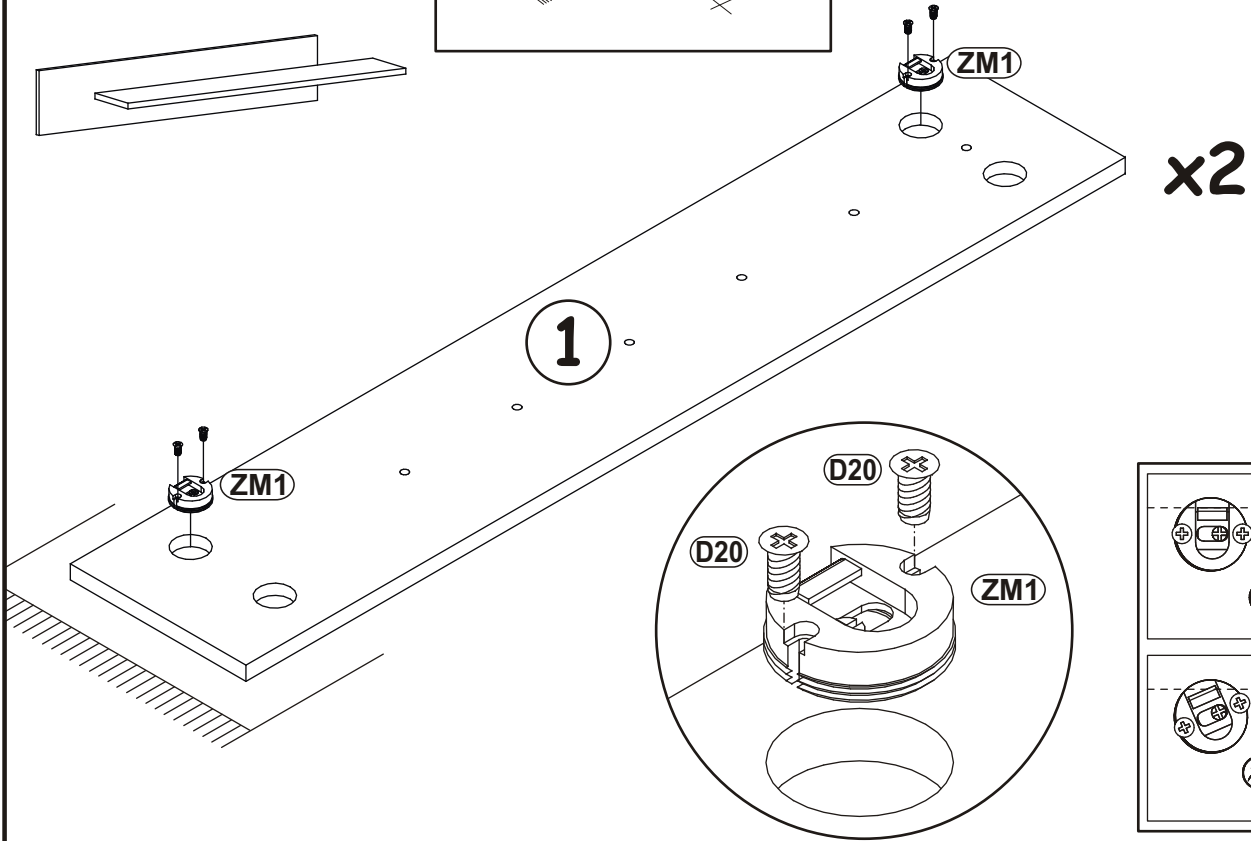
6



7

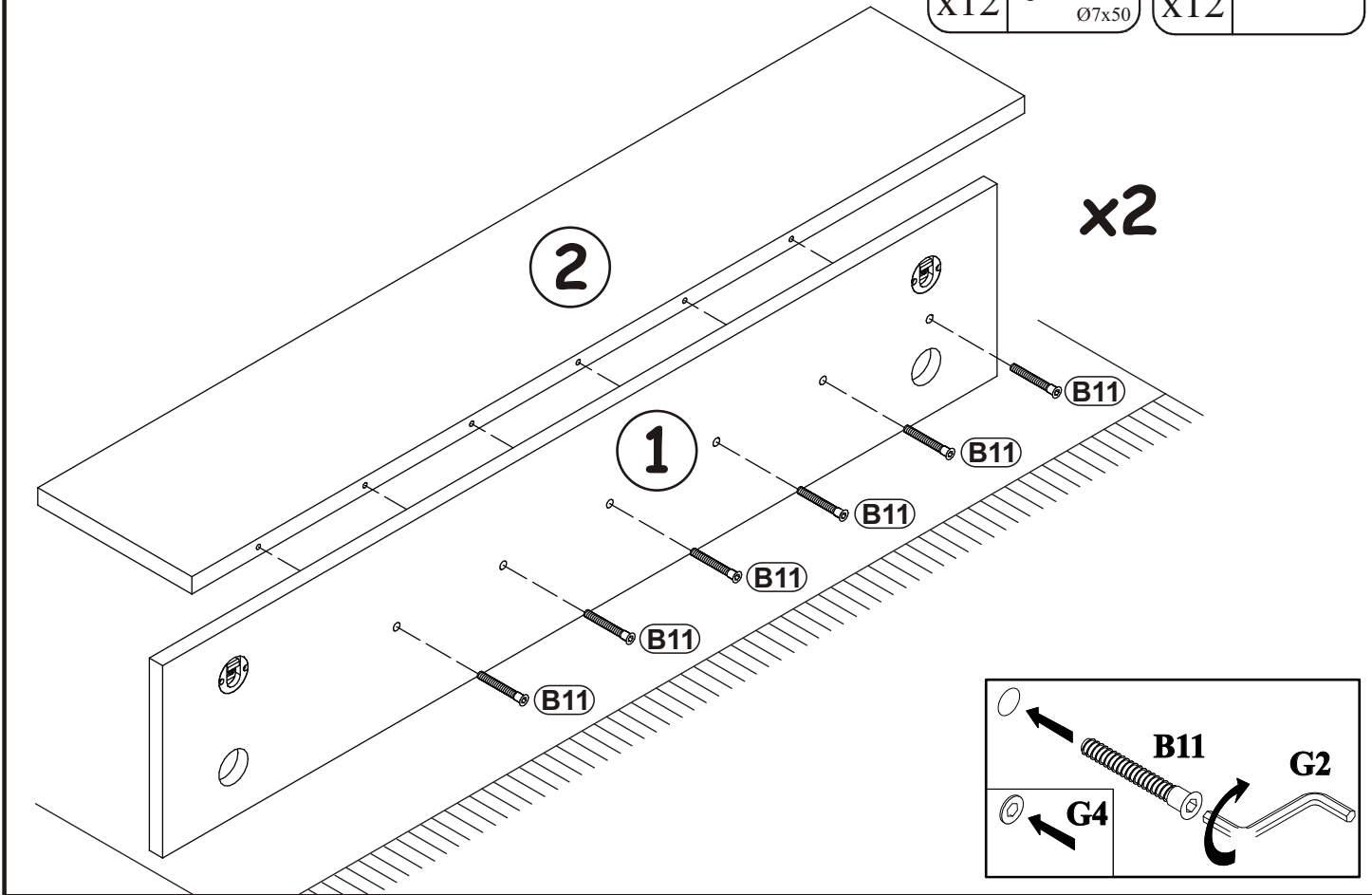


ZM1		D20	
x4		x8	ESØ6x9,5



8

B11		G4	
x12	Ø7x50	x12	



9

