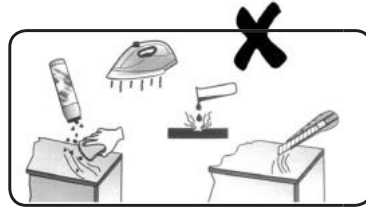
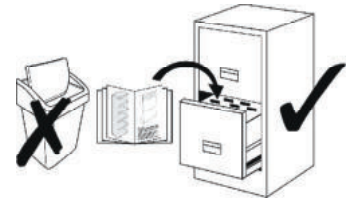
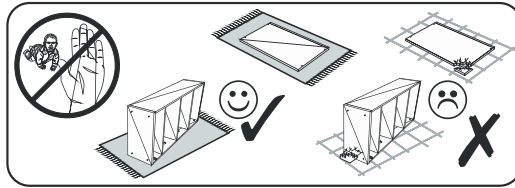


RAVENNA - RTV 3D

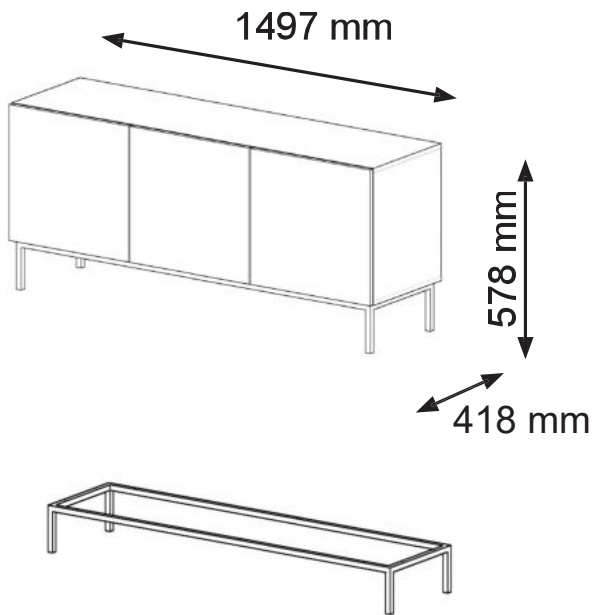
RAVENNA RTV 3D - 05062022



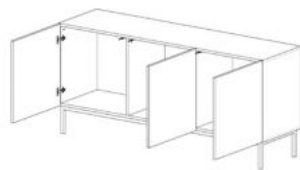
120 min



VER 1.

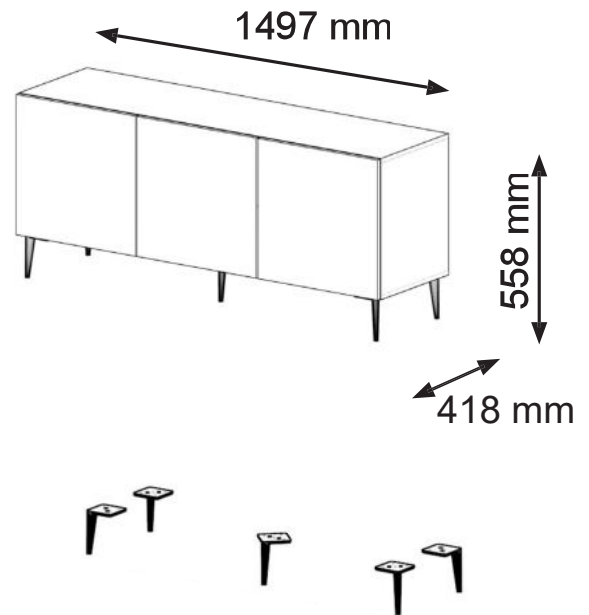


VER 1. - LEFT



VER 1. - RIGHT

VER 2.



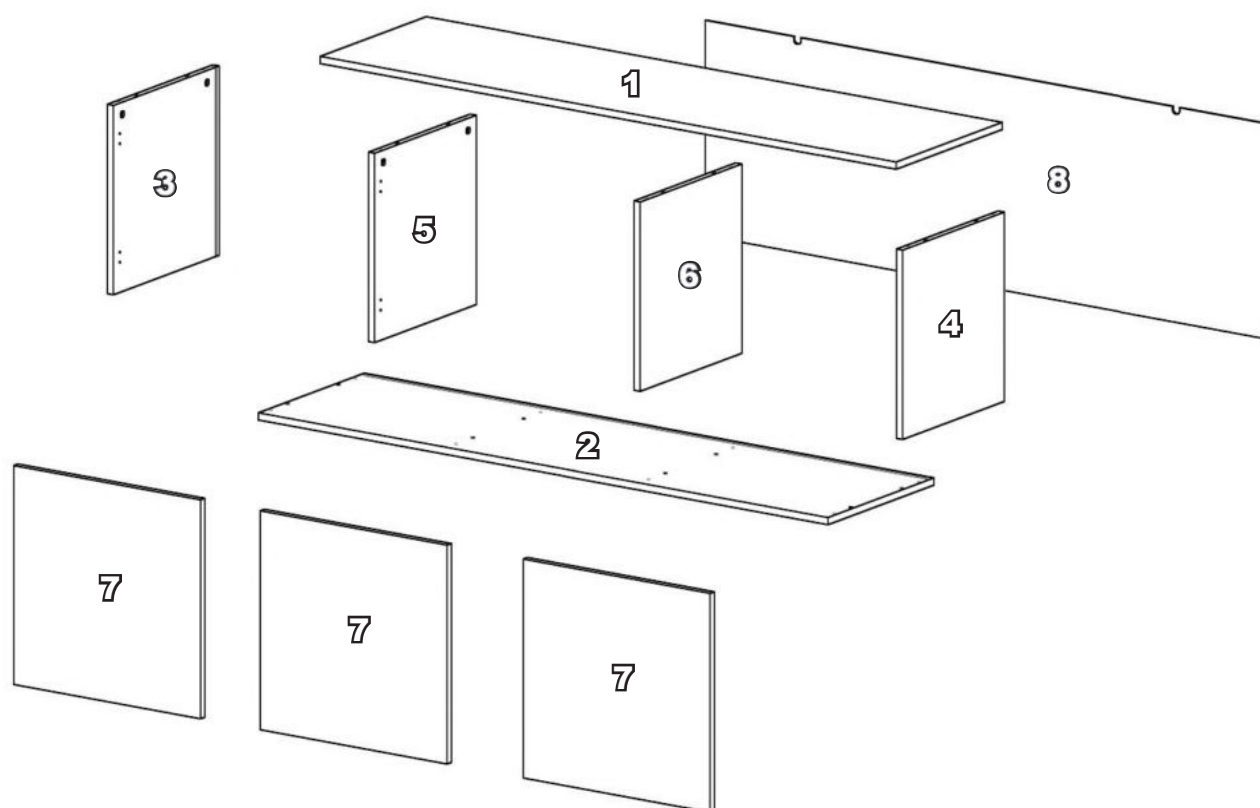
VER 2. - LEFT



VER 2. - RIGHT

RAVENNA - RTV 3D

















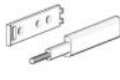
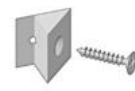




RAVENNA RTV 3D - 05062022

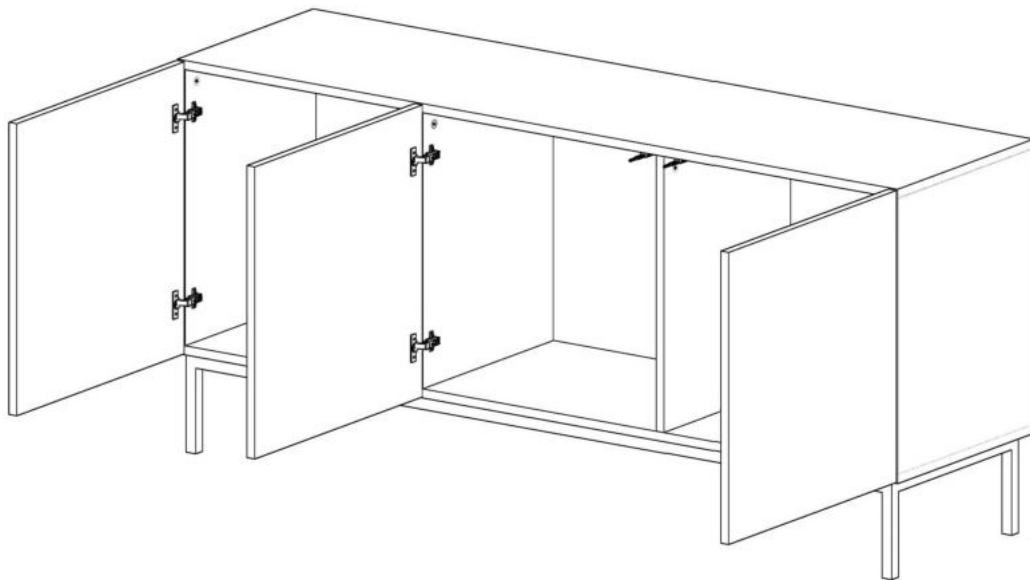


REP	DIM	QTE	package
1	1497 x 401 x 16	1	1/1
2	1497 x 401 x 16	1	1/1
3	376 x 400 x 16	1	1/1
4	376 x 400 x 16	1	1/1
5	376 x 385 x 16	1	1/1
6	376 x 385 x 16	1	1/1
7	494,6 x 404,3 x 16	3	fronty
8	1474 x 388 x 2,5	1	1/1

RAVENNA - RTV 3D

RAVENNA RTV 3D - 05062022

<p>B1</p>  <p>16x 8x30</p>	<p>A1</p>  <p>8x 7/50</p>	<p>W2</p>  <p>1x 4mm</p>	<p>K5</p>  <p>8x 20/ø6x11</p>	<p>K1</p>  <p>8x ø15x12</p>	<p>G22</p>  <p>4x 3x16</p>	<p>G6</p>  <p>12x 3.5x13</p>
<p>G29</p>  <p>6x 6x13</p>	<p>C3</p>  <p>4x</p>	<p>D3</p>  <p>4x</p>	 <p>8x 6.3x13</p>	<p>C10</p>  <p>2x</p>	<p>D10</p>  <p>2x</p>	 <p>4x 6.3x13</p>
<p>M11</p>  <p>2x 75/30/15</p>	<p>G24</p>  <p>4x 4x16</p>	<p>L11</p>  <p>3x</p>	<p>I1</p>  <p>18x</p>	<p>U8</p>  <p>2x ø8x40</p>	<p>G33</p>  <p>2x 4x40</p>	
				<p>G3</p> <p>VER 1.</p>  <p>10x 4x30</p>	<p>G35</p> <p>VER 2.</p>  <p>20x 3.5x20</p>	

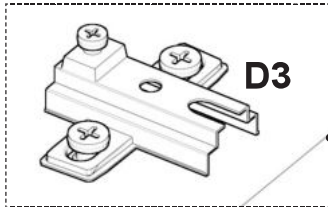
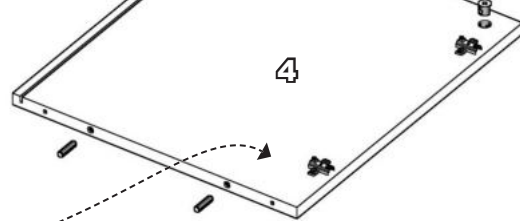
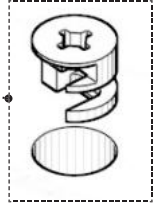
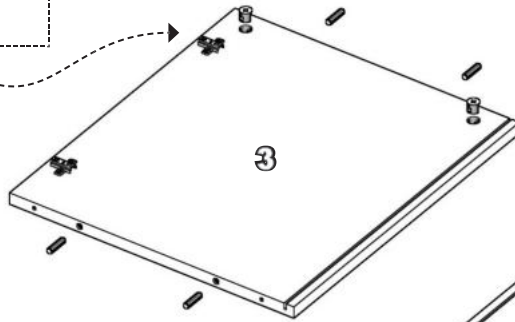
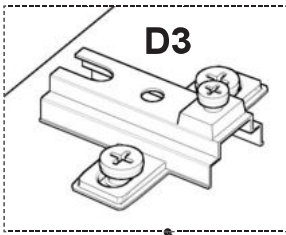
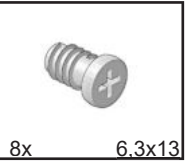
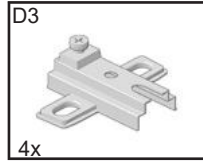
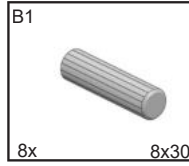


VER 1. - LEFT

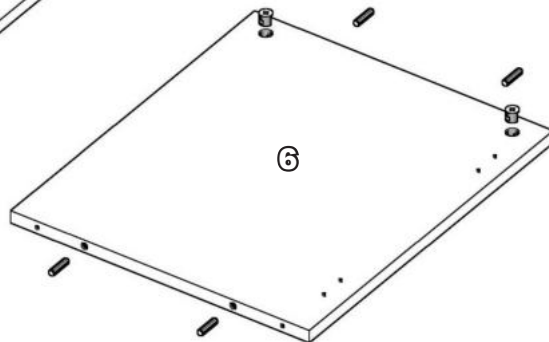
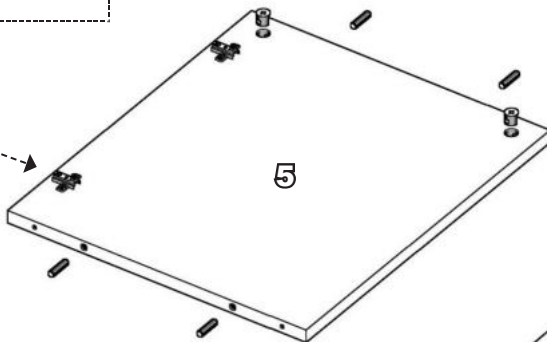
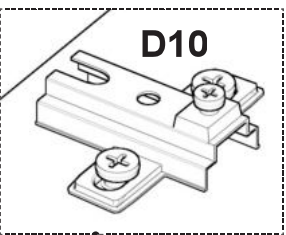
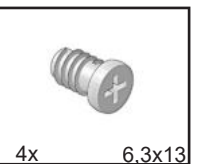
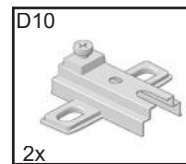
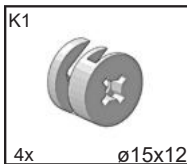
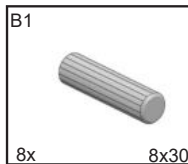
RAVENNA - RTV 3D

RAVENNA RTV 3D - 05062022

1



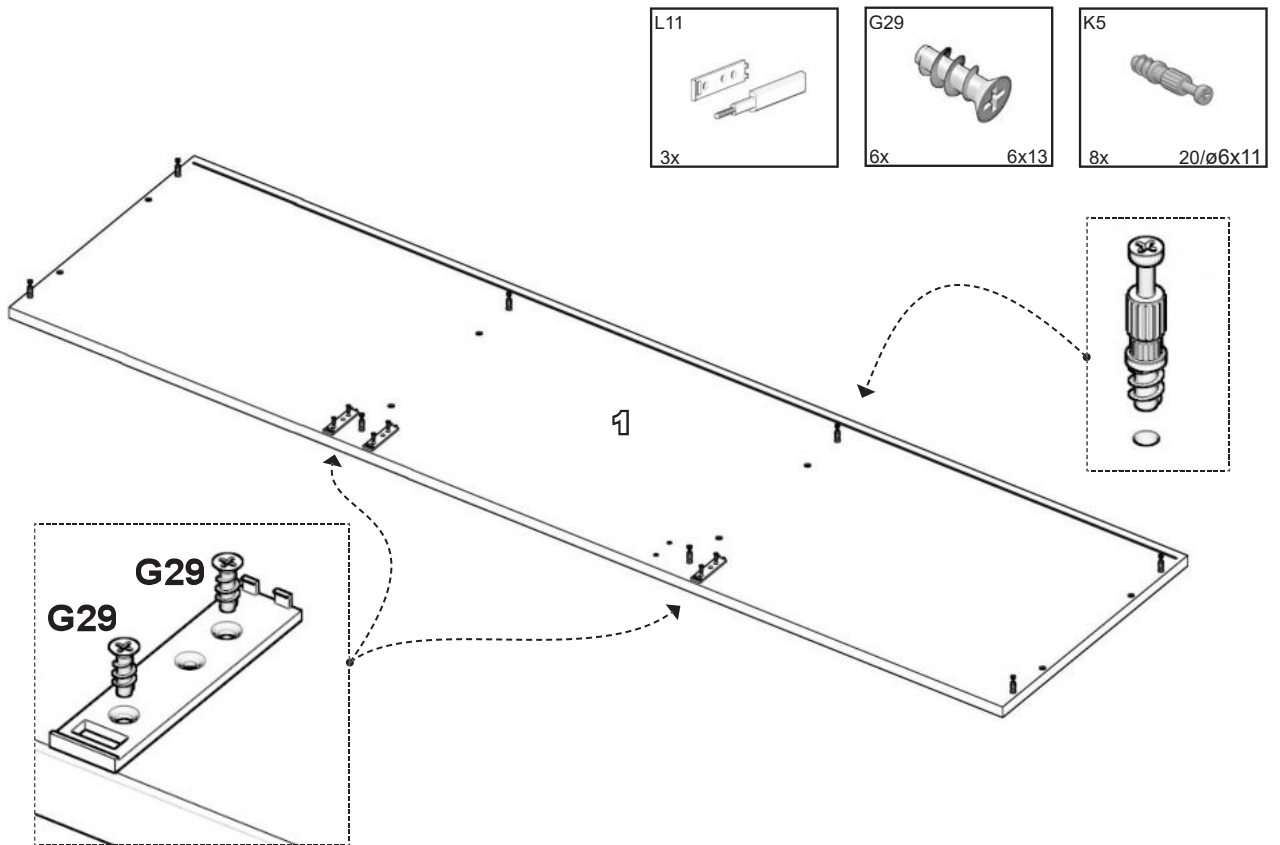
2



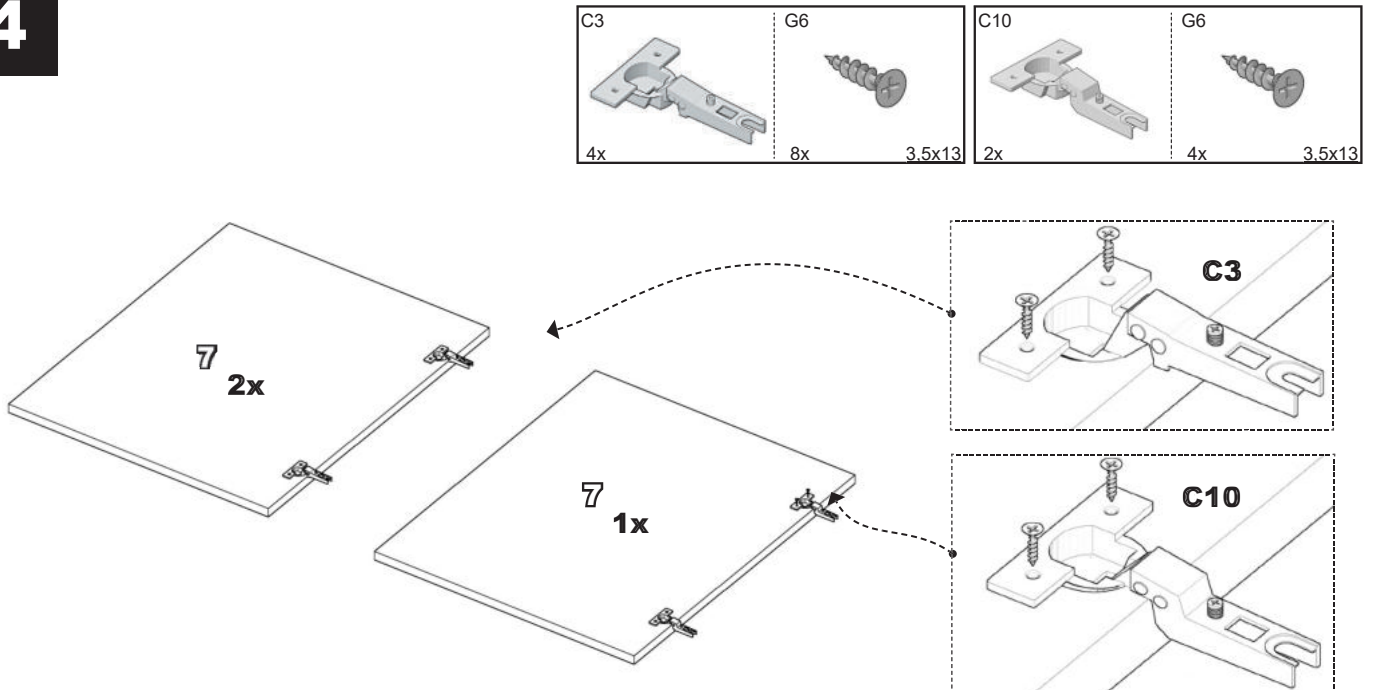
RAVENNA - RTV 3D

RAVENNA RTV 3D - 05062022

3



4



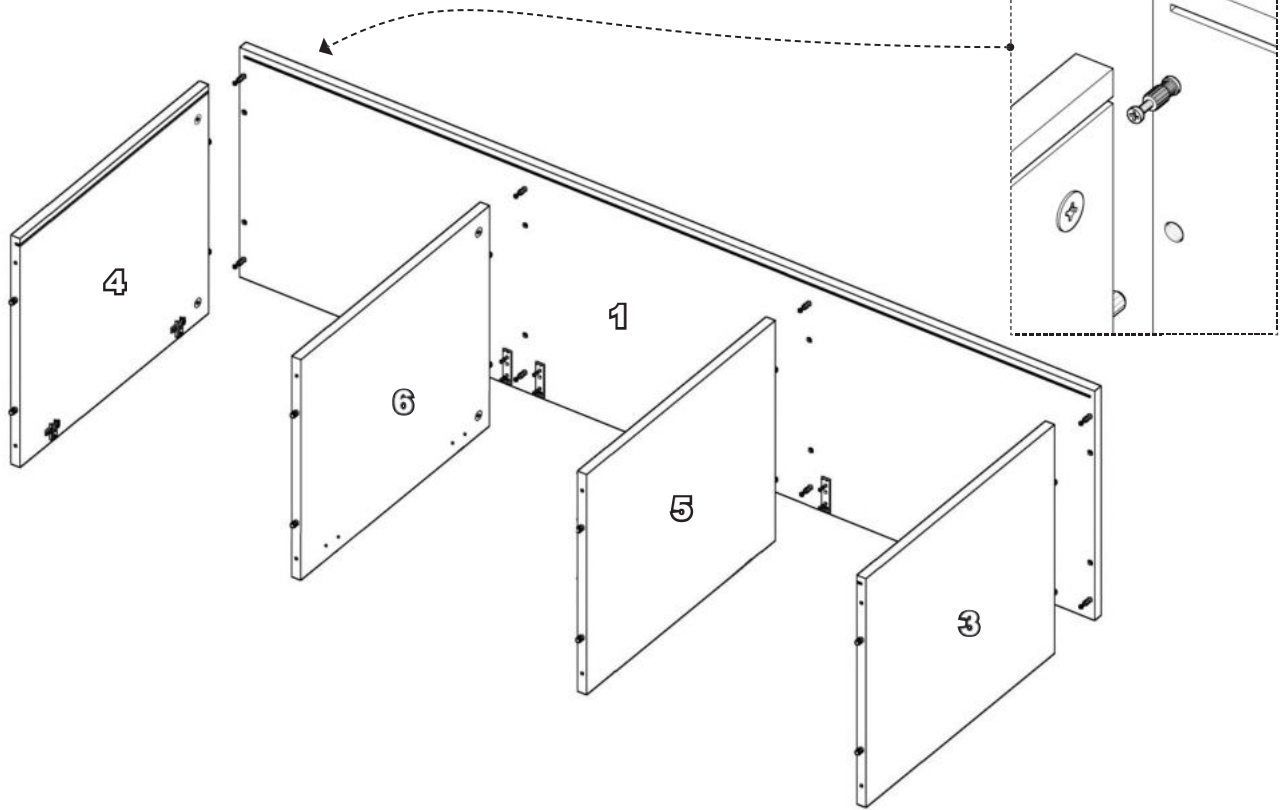
$$7 + C3 = 7z$$

$$7 + C10 = 7s$$

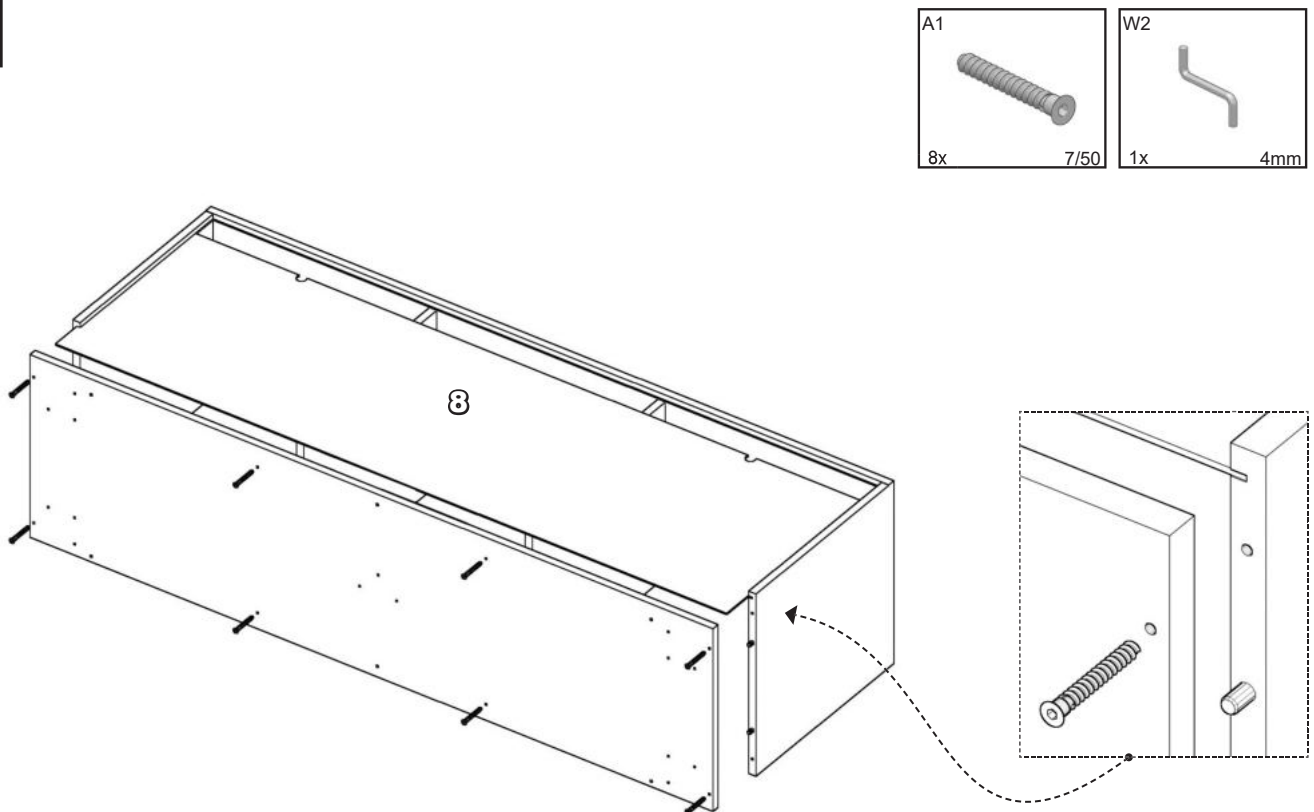
RAVENNA - RTV 3D

RAVENNA RTV 3D - 05062022

5



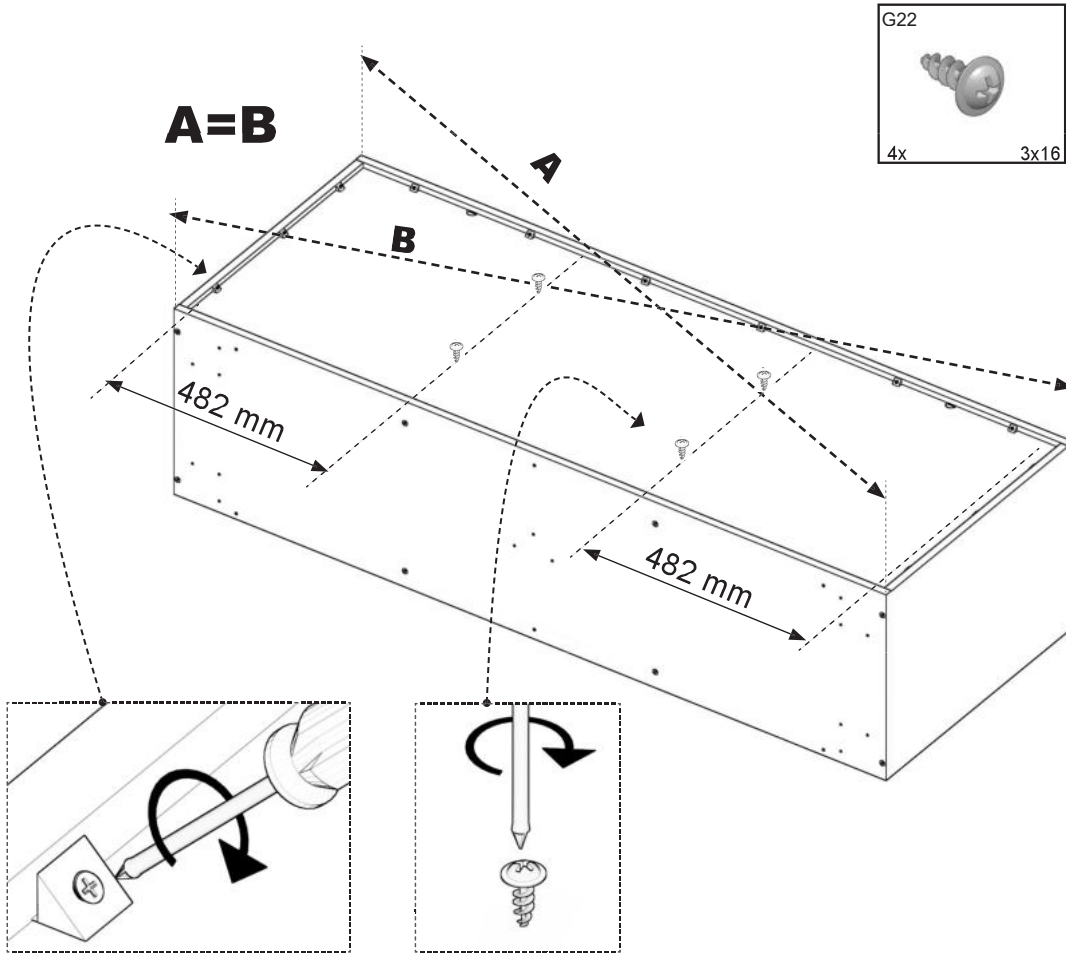
6



RAVENNA - RTV 3D

RAVENNA RTV 3D - 05062022

7

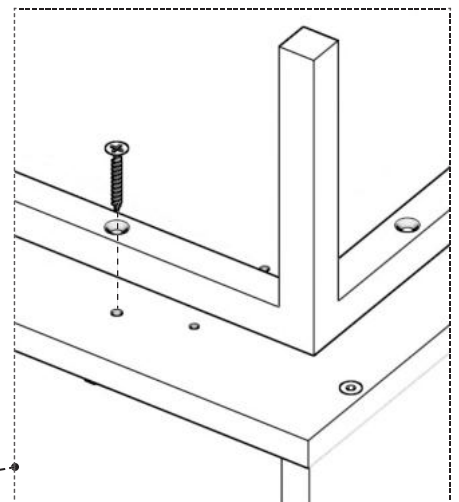
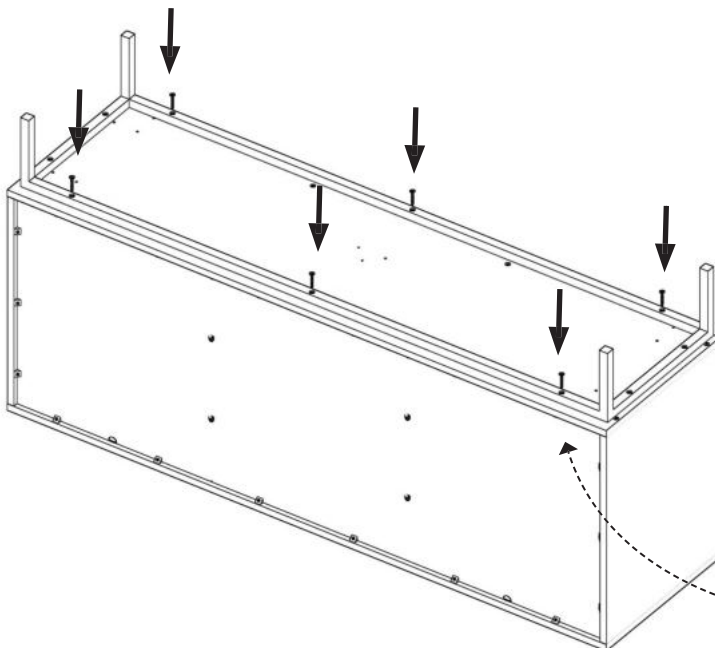
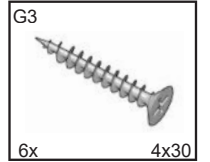


8

VER 1.

VER 2. →

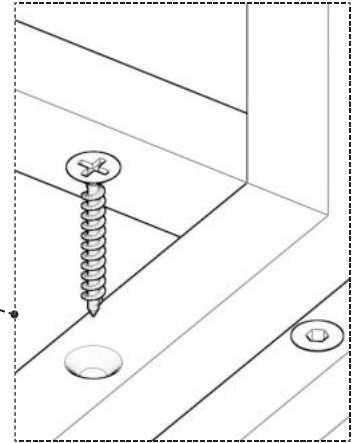
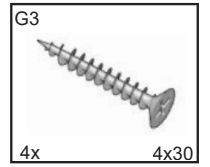
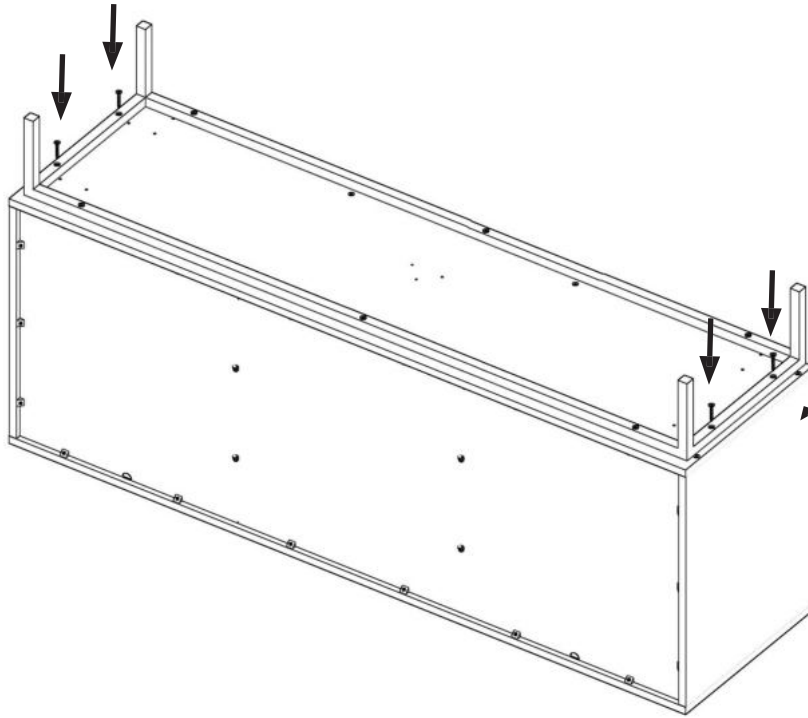
10



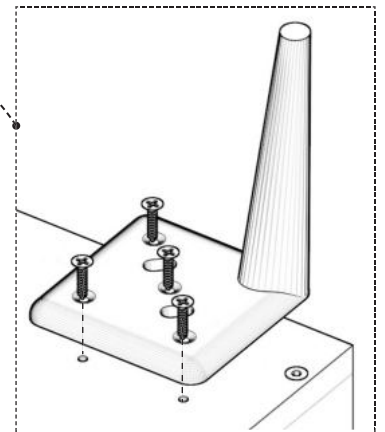
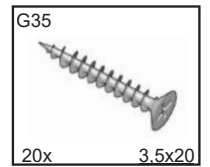
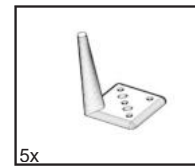
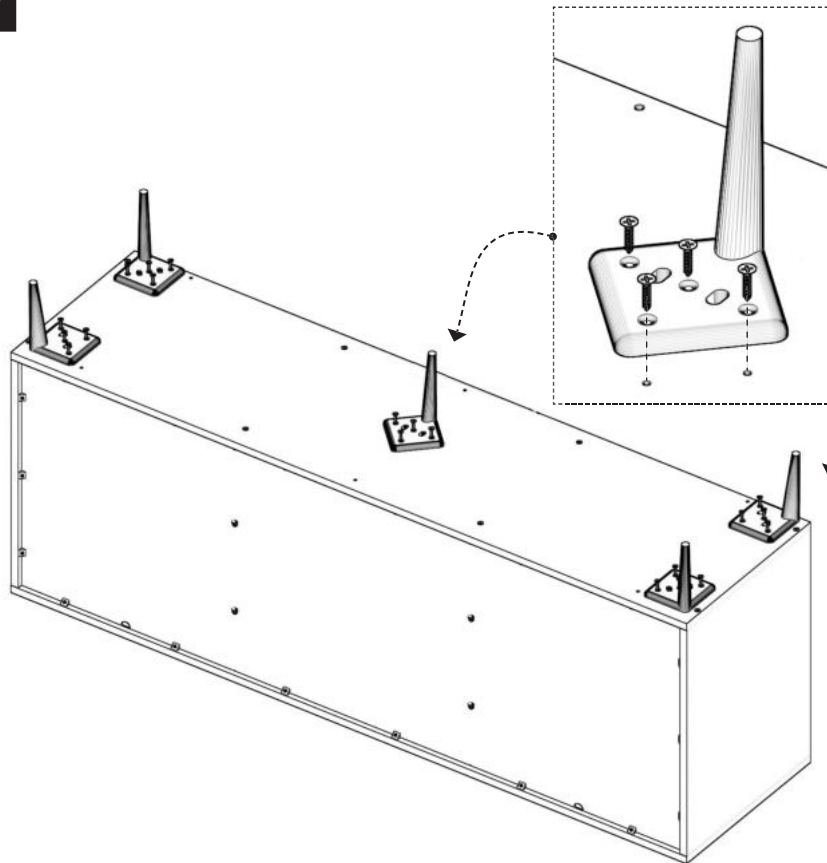
RAVENNA - RTV 3D

RAVENNA RTV 3D - 05062022

9



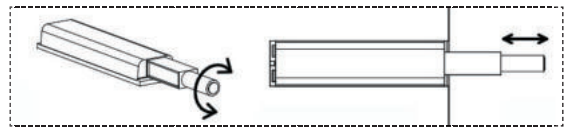
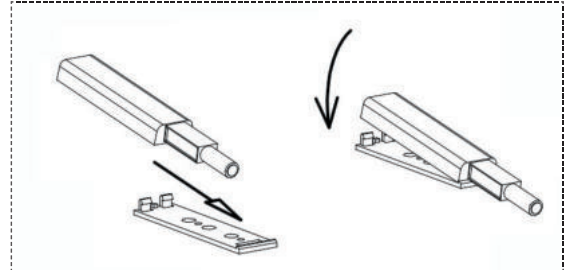
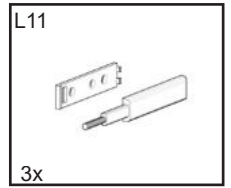
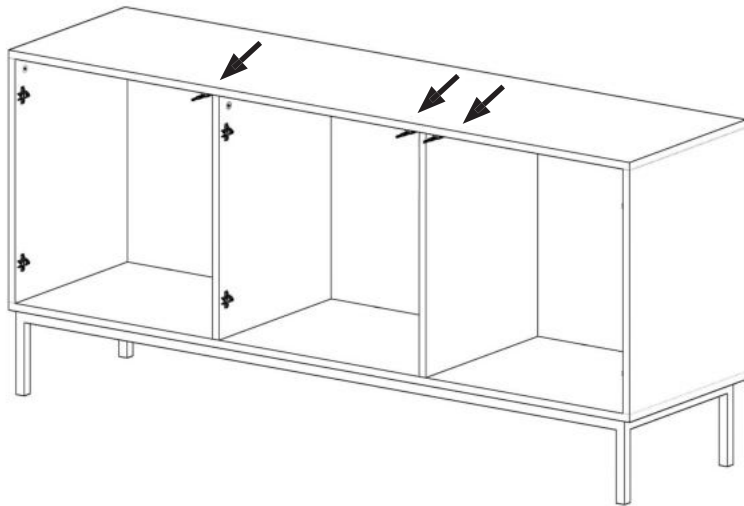
10 VER 2.



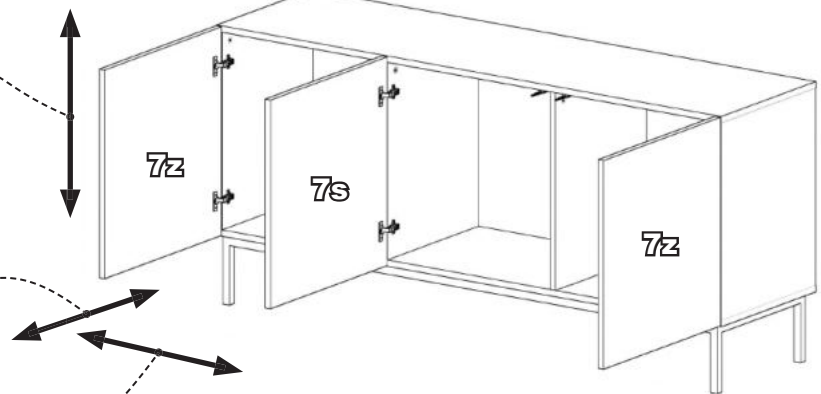
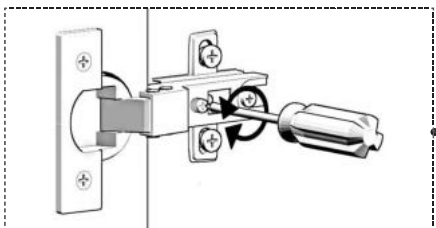
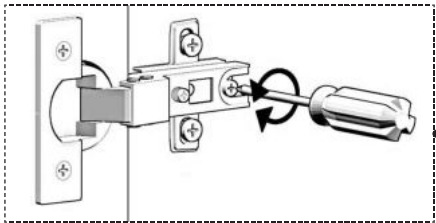
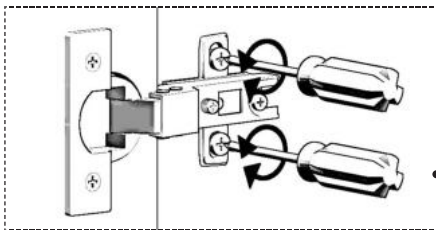
RAVENNA - RTV 3D

RAVENNA RTV 3D - 05062022

11



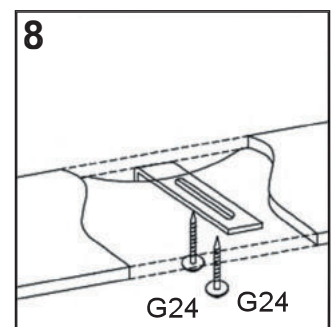
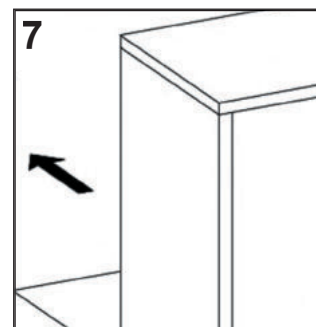
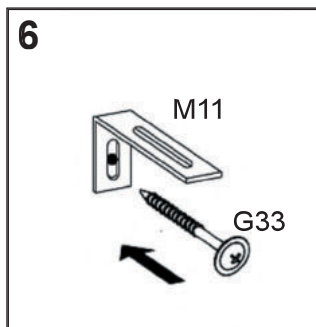
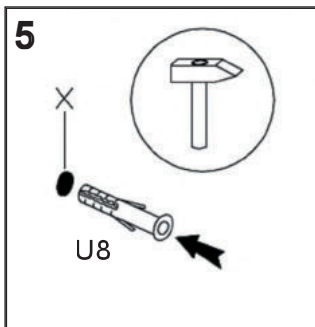
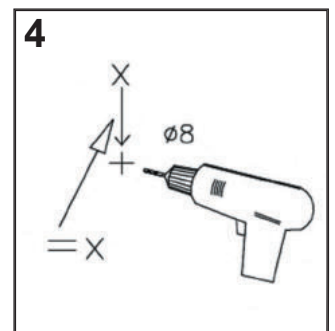
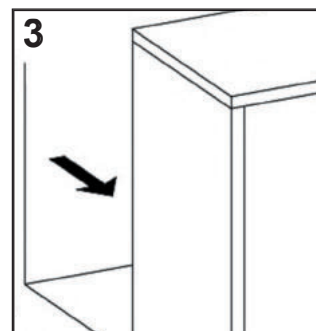
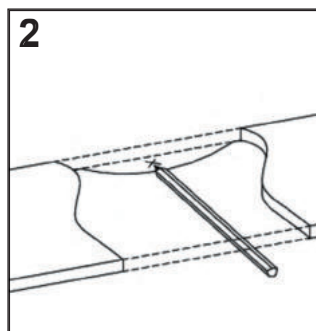
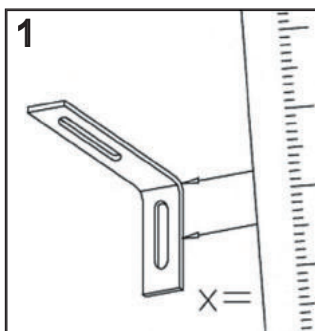
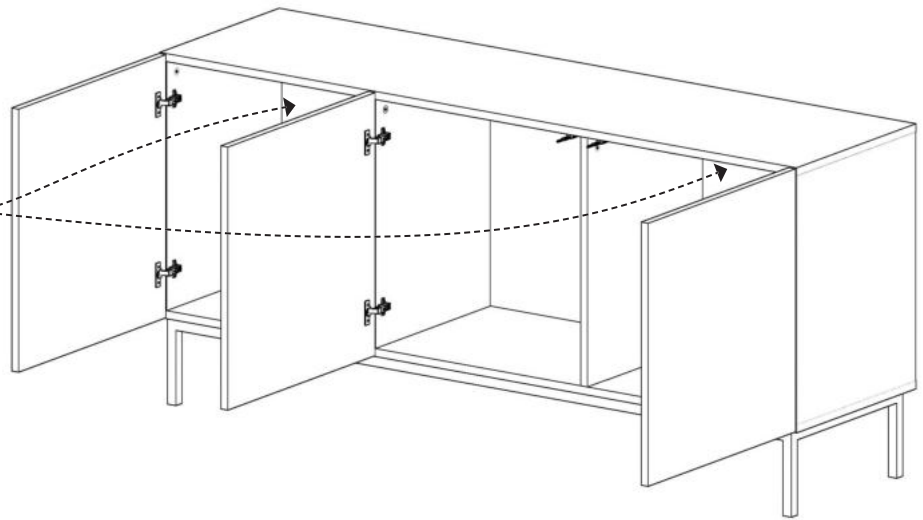
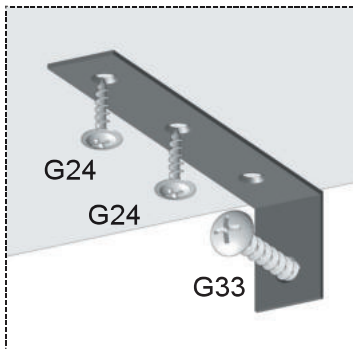
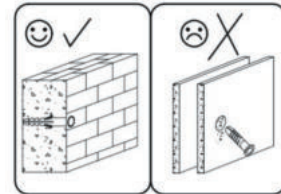
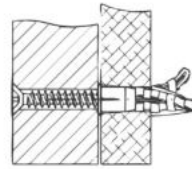
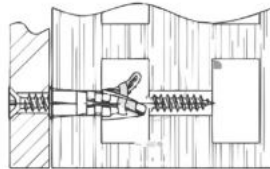
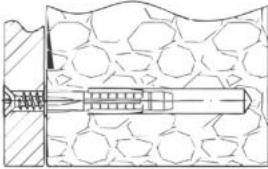
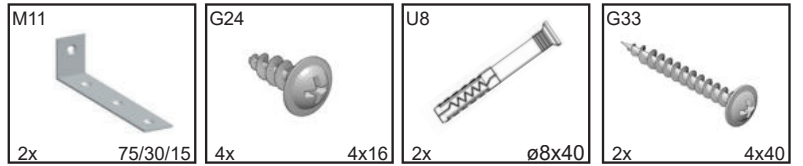
12



RAVENNA - RTV 3D

RAVENNA RTV 3D - 05062022

13



10/10