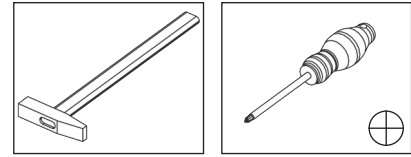


Tools required



- Do not throw away packaging materials until assembly is complete.
- Assemble this item on a soft surface, such as cardboard, towel, carpet. It should protect finish.
- Keep plastic packages and other parts **away from children and infants**.
- All connections should be tight.
- Until starting assembling please read whole instruction.
- If You notice that the package is damaged don't assembly.



Parts in the packaging

- Before starting work please make sure You have all the parts.

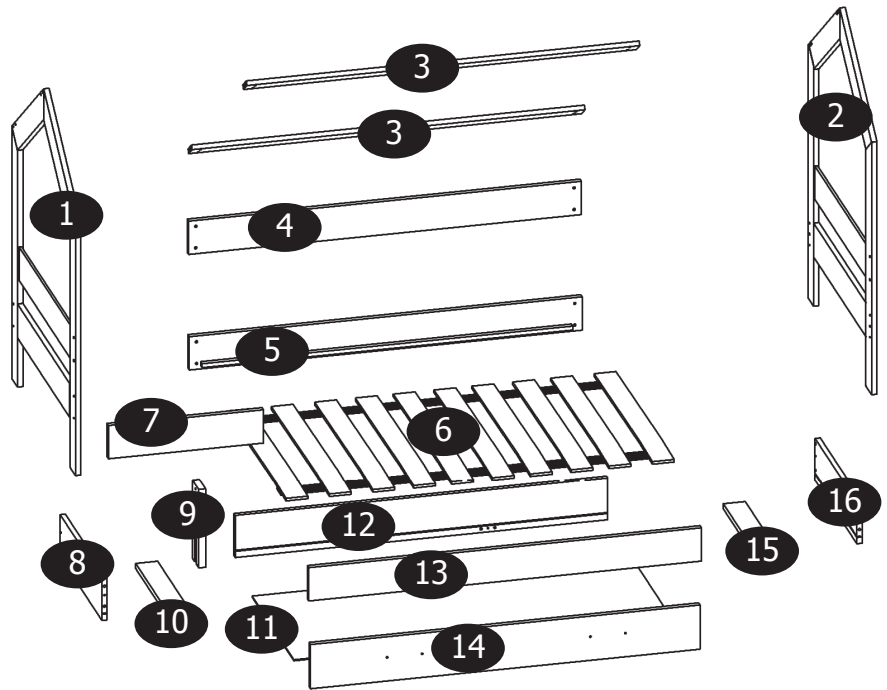


 2x	 23x	 23x
 7,8x35 mm 2x/*18x	 4x	 20x
 4x	 4x	 4x
 4x	 1x	 8x

*wersja z szufladą

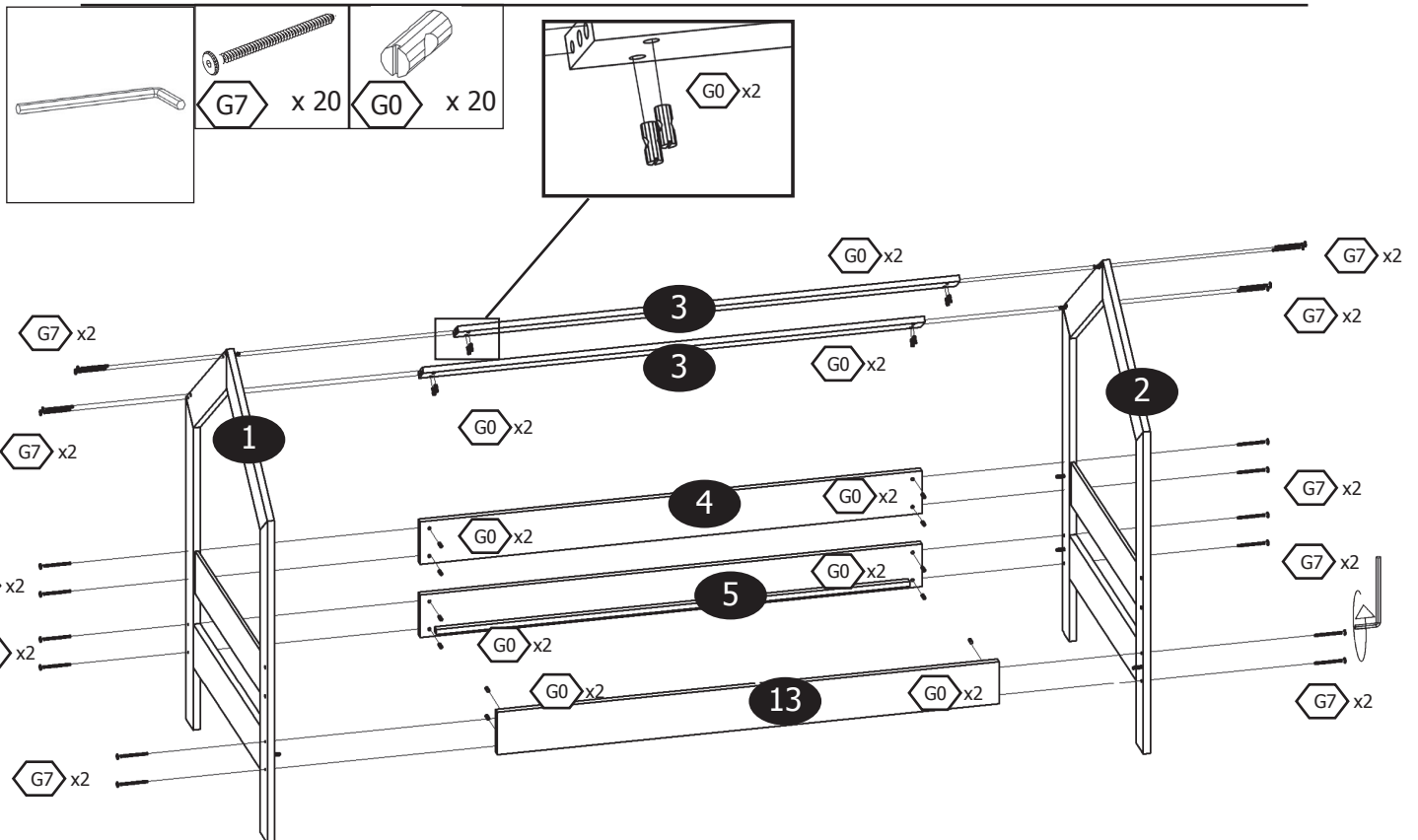
Other elements

- | | |
|-------|--------|
| 1 x 1 | 9 x 1 |
| 2 x 1 | 10 x 1 |
| 3 x 2 | 11 x 1 |
| 4 x 1 | 12 x 1 |
| 5 x 1 | 13 x 1 |
| 6 x 1 | 14 x 1 |
| 7 x 1 | 15 x 1 |
| 8 x 1 | 16 x 1 |

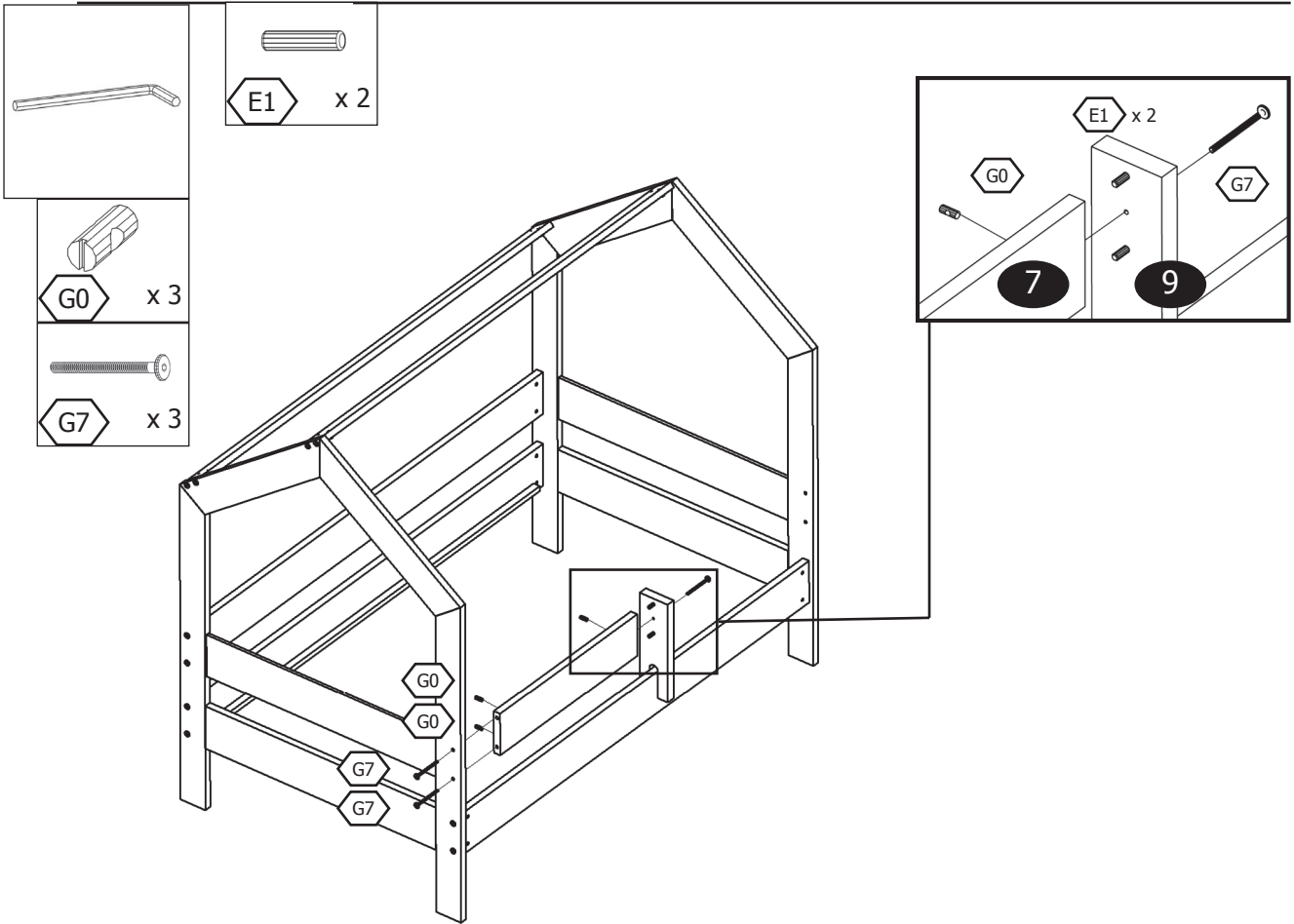


Assembly instructions

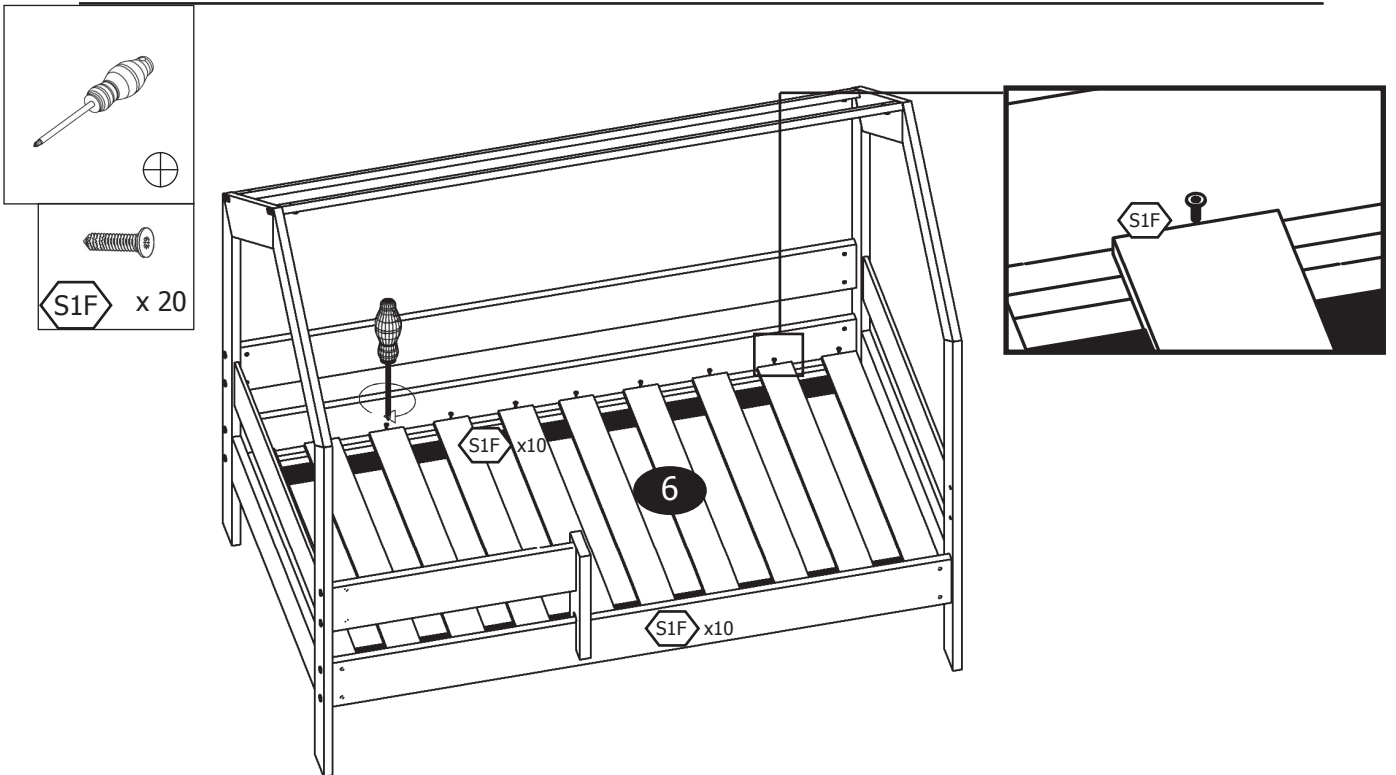
1



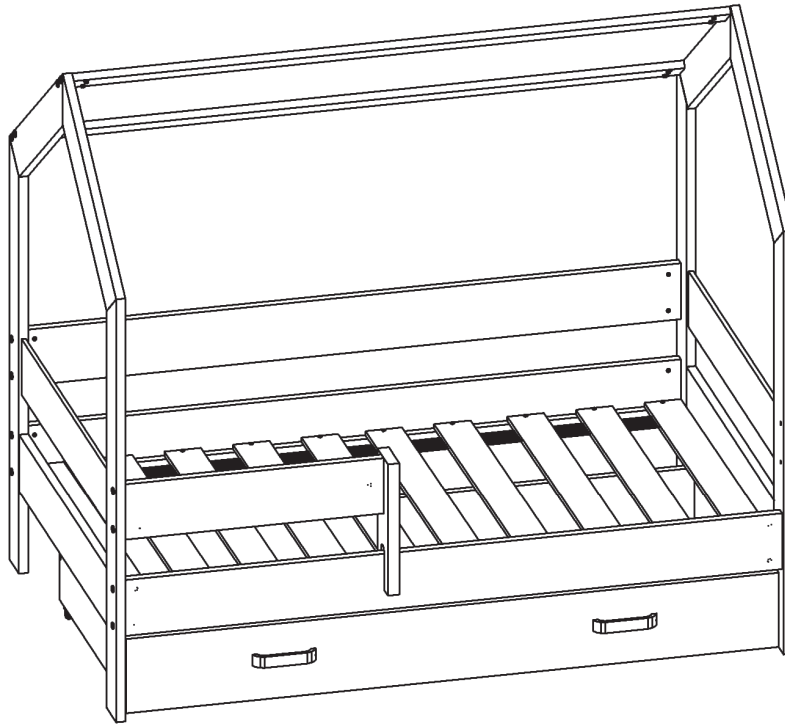
2



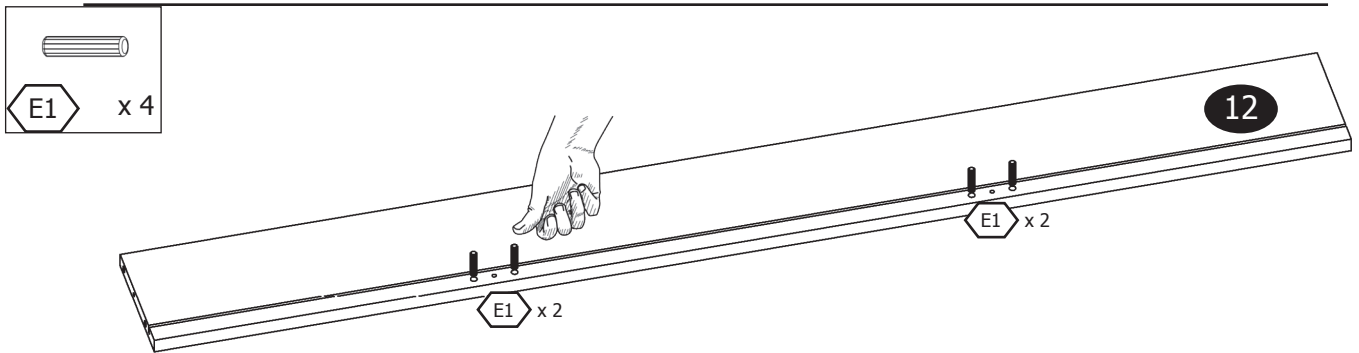
3



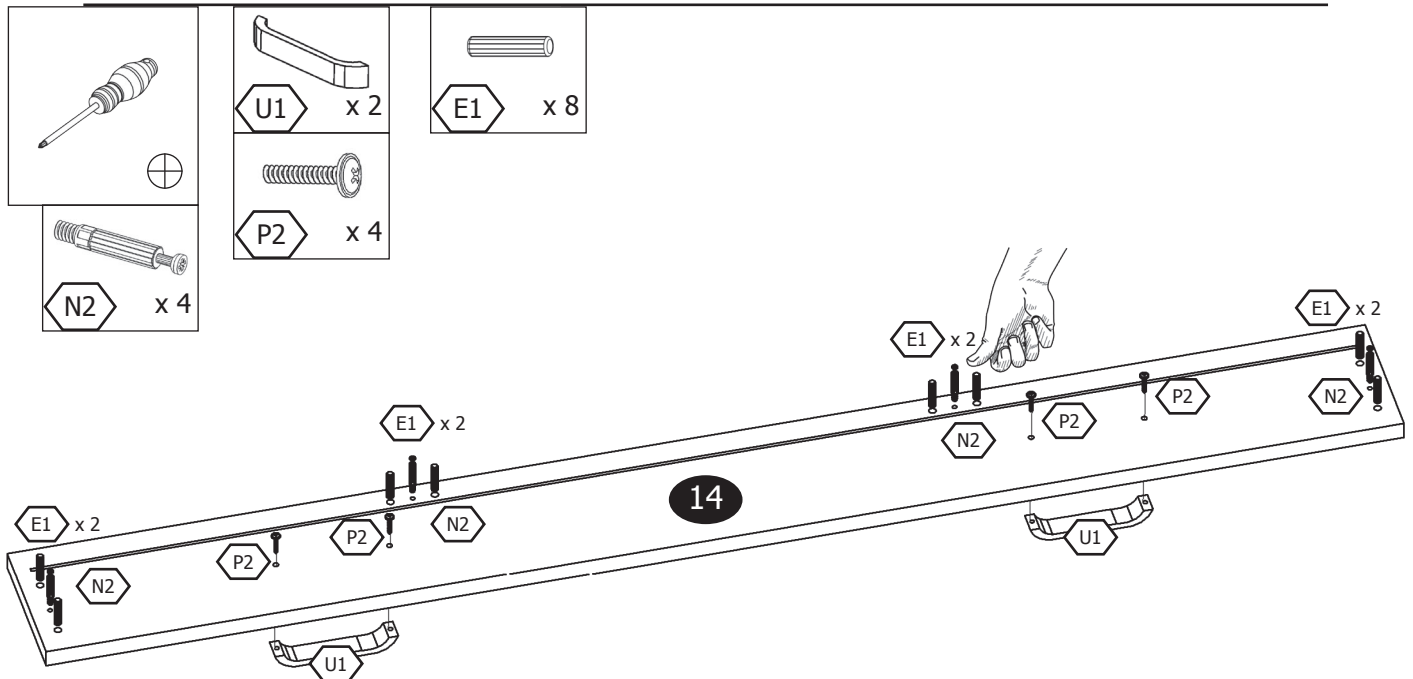
BED HOUSE 80x160 - VERSION WITH A DRAWER



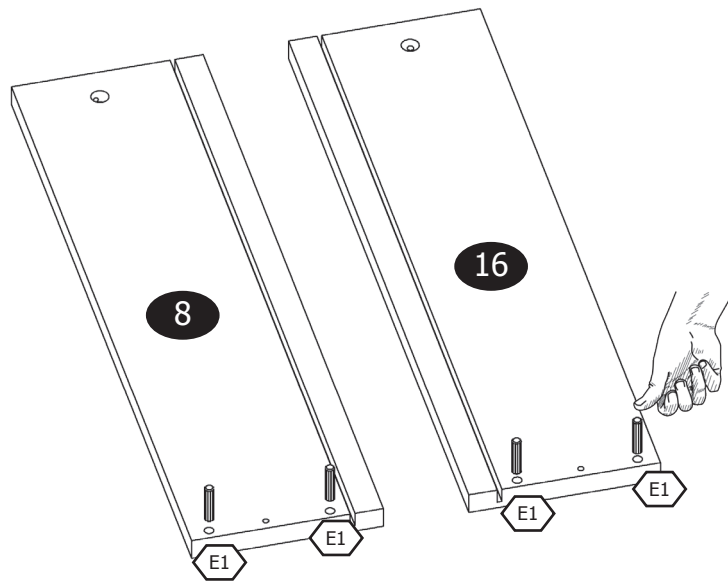
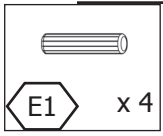
4



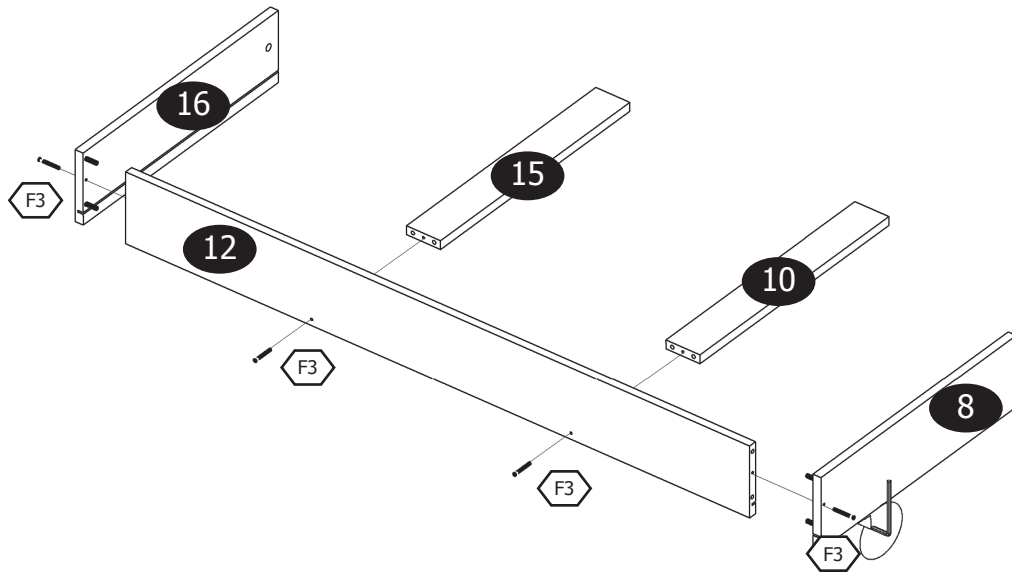
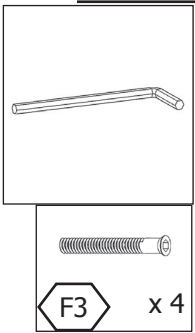
5



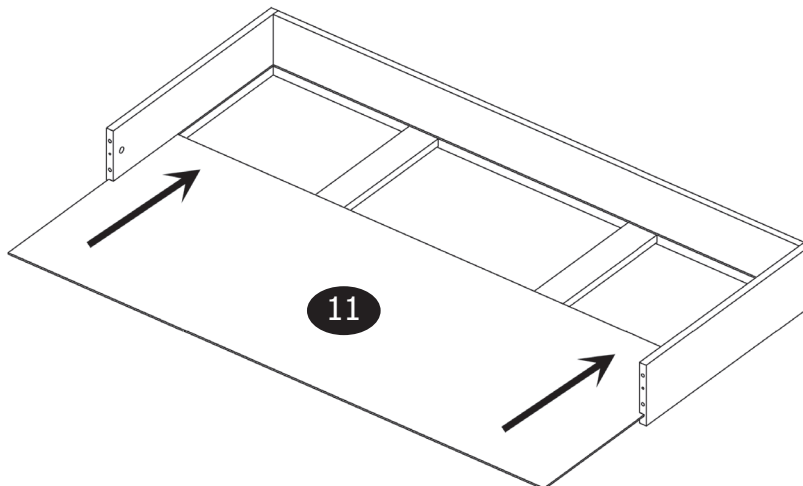
6



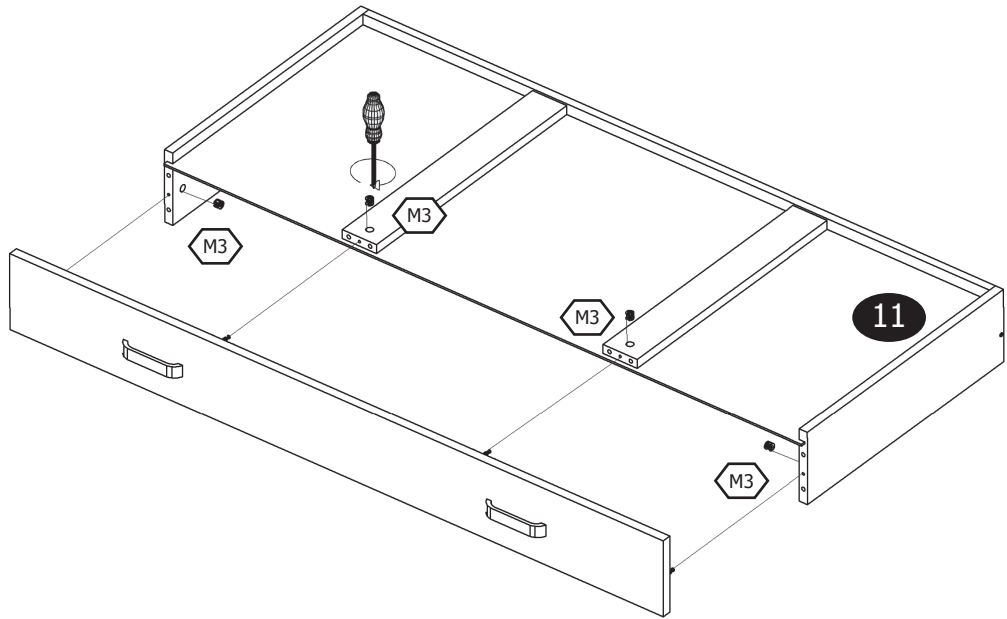
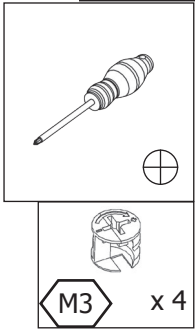
7



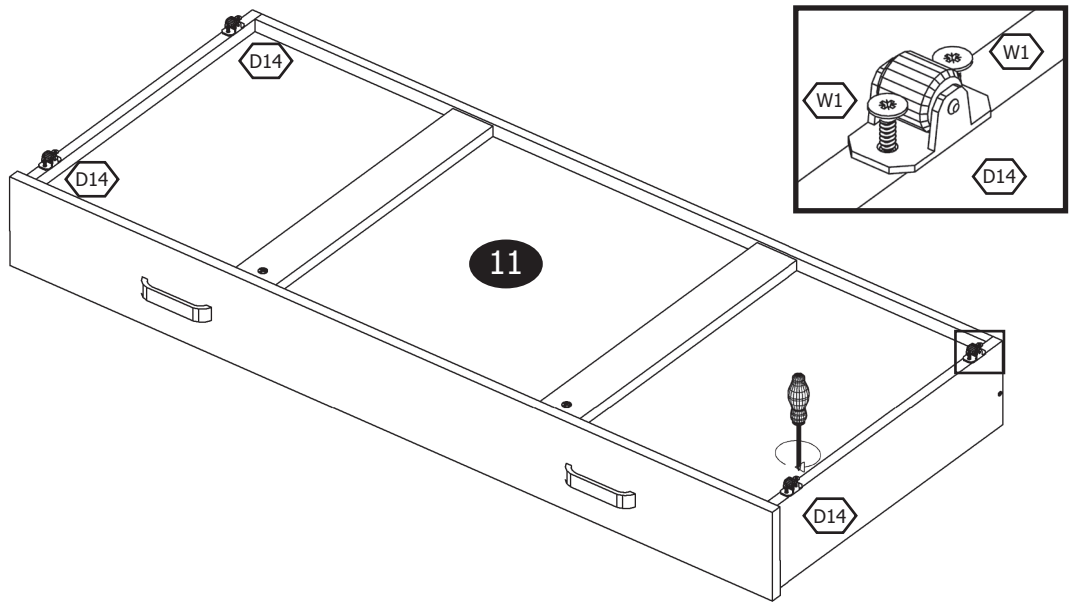
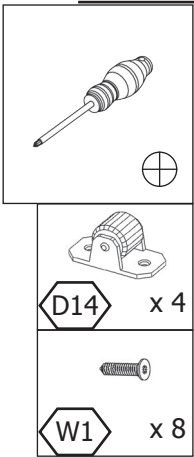
8



9



10



11

